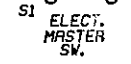
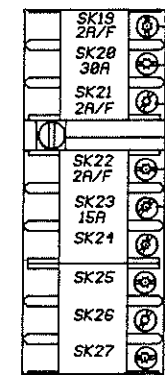
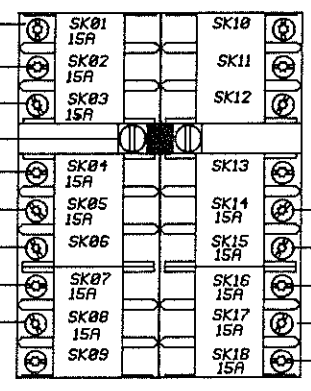


6 GA.

#45 10GA YEL - FROM SK10 LWR FRT COMPT PNL A

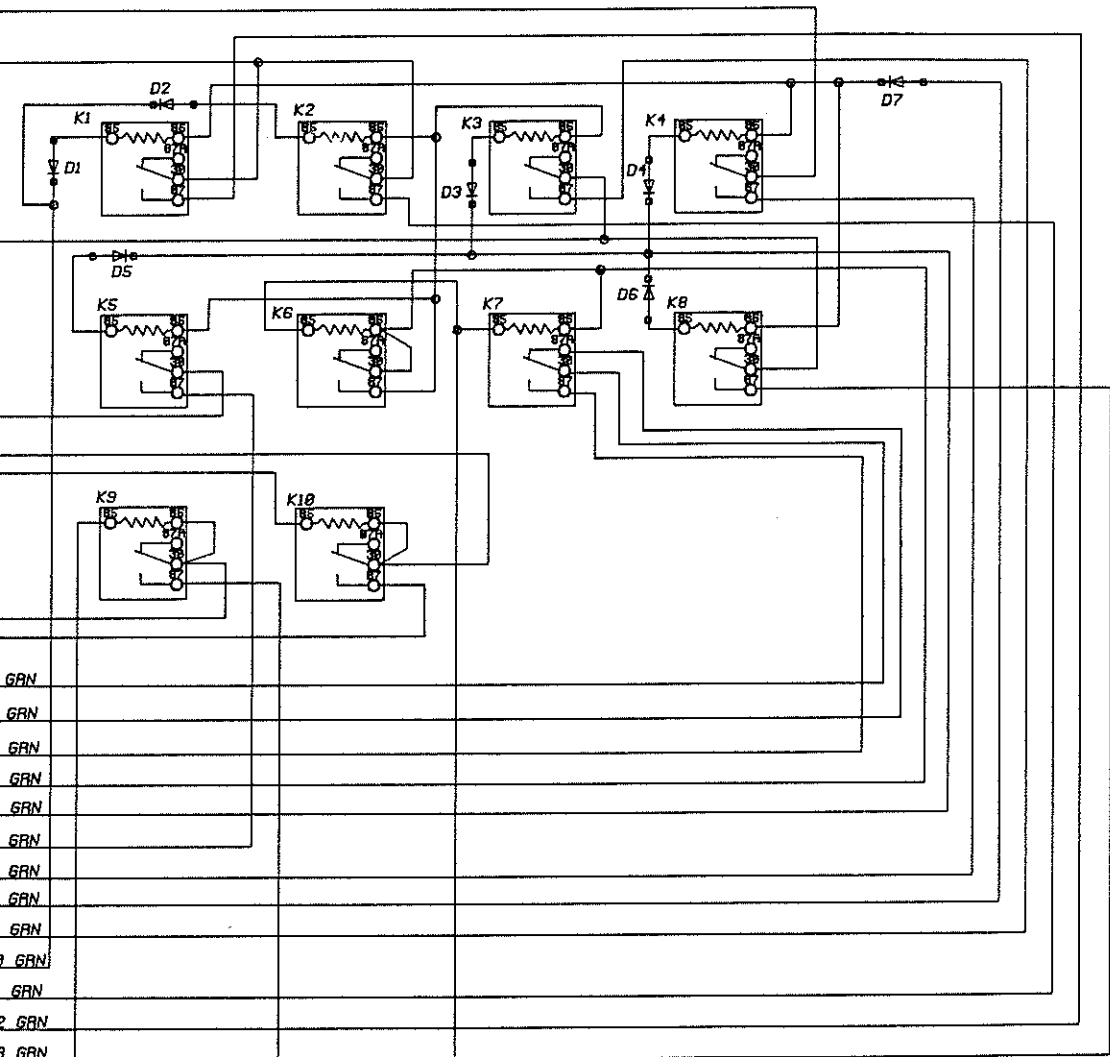


- SPARE P41-1
- #23 BRN/ORN - BATHRM. VENT FAN P41-2
- #26 ORN/BRN - KITCHEN VENT FAN P41-3
- SPARE P41-4
- #20 BLU - LIVINGRM. READING LGTS. P41-5
- #26 YEL - LWR. DINETTE FLUO. & READING LGTS. P41-6
- SPARE P41-7
- #18 GRN/WHT - BATHRM. & SHOWER LGTS. P41-8
- (B) #10 YEL/BLK - DINETTE LP HEAT (FAN) & LIVINGRM LP HEAT (FAN) (A) P41-10
- #23 GRY - REAR LANDING LGT. SW. P41-11
- #24 GRN/WHT - REAR LANDING LGT. P41-12
- #24 GRN/WHT - REAR LANDING LGT. P41-13



- #28 RED - SUM/WIN SOL. IGN. 12V P42-1
- #24 BLK - SUMMER SOLENOID P42-2
- #23 RED - WINTER SOLENOID P42-3
- #19 PUR - SUM/WIN HEAT SW. P42-4
- #14 BRN - LIVINGRM/KIT HEAT T-STAT P42-5
- #20 GRN - LIVINGRM. CHASSIS HEAT P42-6
- #0 GRN/WHT - LIVINGRM. LP HEAT (RELAY) P42-7
- #6 ORN/BLK - LP HEAT SW. P42-8
- #21 GRN - KITCHEN CHASSIS HEAT P42-9
- #15 BRN - BEDROOM T-STAT P42-10
- #23 GRN - BEDROOM CHASSIS HEAT P42-11
- #15 GRN/WHT - BEDROOM LP HEAT (RELAY) P42-12
- #10 GRN/WHT - DINETTE LP HEAT (RELAY) P42-13
- #16 BRN - BATHROOM HEAT T-STAT P42-14
- #22 GRN - BATHROOM CHASSIS HEAT SW. P42-15
- WHT - CHASSIS GROUND P42-24

- #14 ORN P41-14 #31 PUR - LPG LEAK DETECTOR/SHUT OFF VALVE
- #15 ORN P41-15 #30 BLU/BLK - SYSTEM MONITOR PANEL
- #16 ORN P41-16 #46 10GA YEL - TO SK1-9 BUS REAR LD CTR
- #18 ORN P41-18 #6 BLK - DASH CLOCK
- #44 YEL - SK37-45 BUS LWR FRT COMPT PNL A



REL.	CCN 8376	BLUE BIRD WANDERLODGE FORT VALLEY, GEORGIA USA	SCALE ----
DIAGRAM, WIRING, ELECTRICAL COMPONENT PANEL, LH FRONT			
1989 WLSP			
DR. 3-23-88 BY J. MEYER	SIZE	INACTIVE	
APP. 5-3-88 BY C. HALLAM	B	3898178	
CK. 5-9-88 BY AMW			

LET.	REVISIONS	DR.	APP.	CK.	CCN	DATE	REL.
B	WAS #10 WHT/BLK	JM	AMW	AMW	8464	8-18-88	
A	ADDED LIVINGRM LP HEAT FAN TO SK08	DC	AMW	AMW	8394	5-30-88	

REP & FID BY DWI 292771