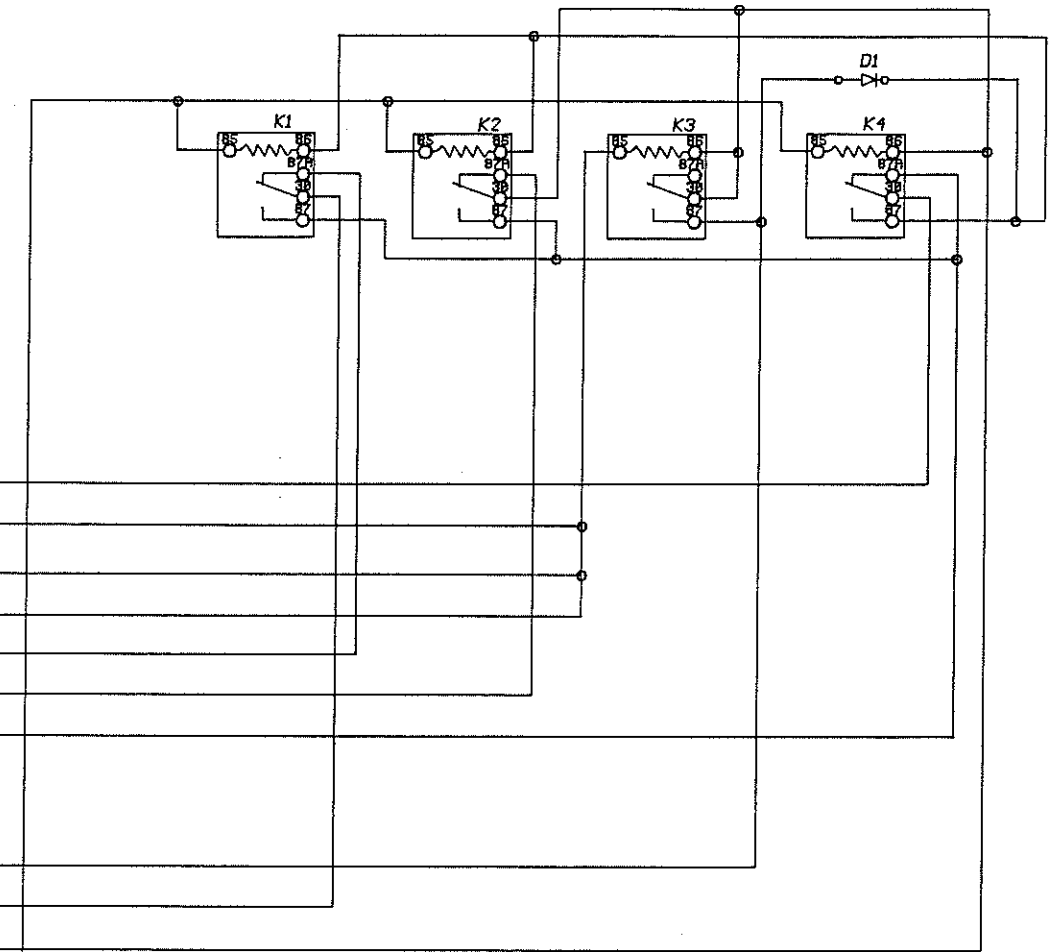


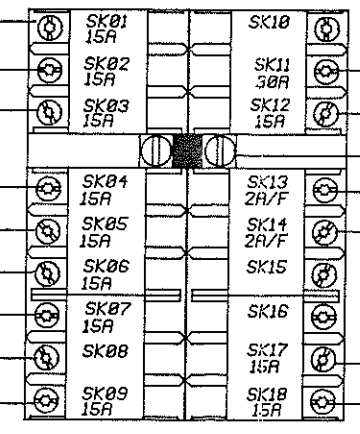
6 GA



- #7 ORN/BLK - STEP SYSTEM PRESSURE SW P51-1 ← #1 GRN
- #9 BLK - STEP SYSTEM 3-WAY SW P51-2 ← #2 GRN
- #29 GRY - STEP SYSTEM ENT DOOR JAM SW P51-3 ← #3 GRN
- #14 YEL/BLK - STEP SYSTEM SAFETY TAPE SW P51-4 ← #4 GRN
- #3 PUR - STEP SYSTEM IN M-SW-COM P51-5 ← #5 GRN
- #11 RED - STEP SYSTEM IN M-SW-NC P51-6 ← #6 GRN
- #6 BLU - STEP SYSTEM OUT M-SW-COM P51-7 ← #7 GRN

- #8 BLK - STEP LGT SW P51-10 ← #10 GRN
- #4 PUR - STEP EXTENDED INDICATOR LGT P51-11 ← #11 GRN

- #9 GRY - PORCH LGTS. & ENT. DOOR GRAB HANDLE LGT. P52-1 → #1 ORN
- #18 ORN/BLK - A/C & ELECT. HEAT SWITCHING RELAYS P52-2 → #2 ORN
- #32 YEL - LWR. LIVINGRM FLUO. LGTS. P52-3 → #3 ORN
- #31 YEL - UPPER LIVINGRM. FLUO. LGTS. P52-4 → #4 ORN
- #20 BLU - CURIO CAB. LGT. & LIVINGRM. READING LGTS. P52-5 → #5 ORN
- #21 BLU/BLK - STOVE LGT. P52-6 → #6 ORN
- #12 BLU/BLK - VISTA LGTS., LIVINGRM. TABLE P52-7 → #7 ORN
- #28 YEL - LWR. KITCHEN FLUO. LGTS. P52-8 → #8 ORN
- #28 BRN/ORN - ENTRANCE DOOR VALANCE FLUO. LGT. P52-9 → #9 ORN
- #16 RED - COPILOT ELECT. SEAT P52-10 → #10 ORN
- SPARE P52-11 → #11 ORN
- #35 YEL - UPPER KITCHEN/DINETTE FLUO. LGTS. P52-12 → #12 ORN
- #34 YEL - CO-PILOT VALANCE FLUO. LGT. P52-13 → #13 ORN
- ⓑ #1 ORN/BLK - TV ANT AMP/SPLITTER P52-14 → #14 ORN
- ⓑ #9 RED - TV ANTENNA ROTOR P52-15 → #15 ORN
- ⓑ #23 BLK - DOOR CHIME P52-16 → #16 ORN
- WHT - CHASSIS GROUND P52-24 → #24 ORN



#10 10GA BLK - OUTSIDE FREEZER (OPT.)

INACTIVE B-14-50 PER CCN# 8376

LET.	REVISIONS	DR.	APP.	CK.	CCN	DATE	REL.
C	REDRAWN W/CHANGES FOR AIR STEP	JM	CEH	MW	8376A	10-26-88	
B	B1 REDRAWN W/CHANGES FOR B & L ELEC STEP; B2 ADDED	JM	CEH	MW	8376A	6-21-88	
--	TV ANT AMP/SPLITTER; B3 ADDED TV ANT ROTOR; B4 ADDED	--	--	--	--	--	--
--	DOOR CHIME	--	--	--	--	--	--
A	ADDED ENT. DOOR GRAB HANDLE LGT. TO CIRCUIT	JM			8394	5-19-88	

REL.	CCN 8376	BLUE BIRD WANDERLODGE FORT VALLEY, GEORGIA USA	SCALE ----
------	-------------	---	---------------

DIAGRAM, WIRING, ELECTRICAL COMPONENT PANEL, RH FRONT			
1989 WLSP			
DR. 3-23-88 BY J. MEYER	SIZE B	INACTIVE	
APP. 5-3-88 BY C. HALLAM		3898152	
CK. 5-5-88 BY AMW			

REPLACEMENT BY AIR 8376