

11-1 Schematics

Wiring Schematic 0075494 - Index

WIRING SCHEMATIC INDEX, M450

DESCRIPTION	SHEET	BB #	REV
INDEX	0	0075494	-
SMART WHEEL POWER/HORN	1	0075115	-
DRIVE MODULE POWER	2	0075312	-
PROJ MODULE POWER	3	0075312	-
HIGH BEAM LIGHTS	4	0075206	-
FOOTLIGHT SWITCH	5	0075214	-
PROJ MODULE POWER	6	0075214	-
DIMMER CONTROL	7	0075201	-
12 PIN TAIL/TALE BAR	8	0075312	-
18 PIN TAIL/TALE BAR	9	0075312	-
20 PIN TAIL/TALE BAR	10	0075312	-
AIR LVL SYSTEM	11	0075719	-
DIRECTIONAL SIGNALS	12	0075396	-
MIRROR/HEAT SWITCH	13	0075423	-
SMART WHEEL CRUISE CONTROL	14	0075424	-
SMART WHEEL CLR/RR/LTS PWR	15	0075721	-
CLEARANCE/RAINER LIGHTS	16	0075720	-
HEADLIGHTS SWITCH	17	0075459	-
HEADLIGHT BEAM HI/LO	18	0075460	-
TAG AXLE SWITCH	19	0075464	-
LEFT VISOR SWITCH	20	0075465	-
RIGHT VISOR SWITCH	21	0075467	-
AUX BATT SWITCH	22	0075278	-
AUX BATT SWITCH POWER	23	0075278	-
HAZARD SWMBC PWR/ET 2W	24	0075609	-
SMART WHEEL ECO/MPR/WASHER	25	0075657	-
HEADLIGHT BEAM HI/LO	26	0075711	-
FUEL LVL SENSOR W/1587	27	0075714	-
715P TD ABS/TRANS/ECU	28	0075715	-
PROJ MODULE W/RECTOR SHUNT	29	0075718	-
AD PEDAL SWITCH	30	0075744	-
MIRROR POWER	31	0075745	-
HORN SELECT SWITCH	32	0075752	-
ENGINE BRAKE HI/LO SWITCH	33	0075759	-
THRESHOLD SWITCH	34	0075789	-
REAR BATT/TEMPERATION POWER	35	0075789	-
REAR BATT/TEMPERATION POWER	36	0075793	-
REAR BATT/TEMPERATION POWER	37	0075793	-
STEERING LIGHTS	38	0075796	-
STEERING LIGHTS	39	0075796	-
TRAIL LIGHTS	40	0075800	-
BACK-UP LIGHTS	42	0075800	-

DESCRIPTION	SHEET	BB #	REV
SPEEDOMETER	43	0075220	-
DRIVE POWER	44	0075220	-
LED LIGHT POWER	45	0075220	-
ENGINE CONTROL BOX	46	0075252	-
BURGALAR ALARM/GARBATT POWER	47	0075252	-
CAT MESSENGER	48	0075252	-
ENGINE OVERRIDE SWITCH	49	0075252	-
SPARE SWITCH	50	0075252	-
CONSTAR SWITCH	51	0075297	-
LUGGAGE LOCKS SWITCH	52	0075297	-
GPS POWER	53	0075292	-
RAZAR SWITCH	54	0075297	-
ENT STEP SWITCH	55	0075297	-
ENT DOOR LOCK SWITCH	56	0075297	-
ENT AIR LOCKS SWITCH	57	0075297	-
AR COMP SWITCH	58	0075297	-
FRONT AC SWITCH	59	0075297	-
REAR AC SWITCH	60	0075297	-
LIVING ROOM AC SWITCH	61	0075297	-
ITCHEN/BATH AC SWITCH	62	0075297	-
GEN ON/OFF SWITCH	63	0075297	-
ENGINE PRE HEAT SWITCH	64	0075297	-
STEPWELL COVER	65	0075297	-
LEFT LAND LIGHTS SWITCH	66	0075101	-
RIGHT LAND LIGHTS SWITCH	67	0075108	-
REAR LAND LIGHTS SWITCH	68	0075108	-
REAR VIEW MIRROR	69	0075107	-
SATELLITE ANTENNA	70	0075112	-
CELLULAR PHONE	71	0075116	-
COGNETEL LIGHTER	72	0075119	-
GEN CONTROL	73	0075119	-
17V 2W IGNITION RELAY D ZONE	74	0075115	-
17V 2W IGNITION RELAY E ZONE	75	0075115	-
17V 2W IGNITION RELAY F ZONE	76	0075115	-
17V 2W IGNITION RELAY G ZONE	77	0075115	-
17V 2W IGNITION RELAY H ZONE	78	0075115	-
17V 2W IGNITION RELAY I ZONE	79	0075115	-
17V 2W IGNITION RELAY J ZONE	80	0075115	-
SHADE IN ZONE A	81	0075145	-
SHADE IN ZONE B	82	0075145	-
SHADE IN ZONE C	83	0075147	-
AIR PRESS SWITCH	84	0075149	-
AIR DRYER	85	0075152	-

DESCRIPTION	SHEET	BB #	REV
ARB HORN/ELECTRIC HORN	86	0075146	-
COOLANT FILLER	87	0075147	-
COOLANT FILLER	88	0075147	-
THROTTLE COOLANT LEVEL SENSOR	89	0075178	-
TRANSMISSION SIGNALS	90	0075190	-
HVAC ILLUMINATOR	91	0075194	-
12V IGN BATT POWER	92	0075200	-
12V IGN BATT POWER	93	0075203	-
12V IGN BATT POWER	94	0075204	-
ADJUSTABLE PEDAL/MULTI PLEX	95	0075265	-
12V B1 MULTI PLEX POWER	96	0075291	-
24V B1 MULTI PLEX POWER	97	0075295	-
24V B2 MULTI PLEX POWER	98	0075299	-
SERVICE BRAKE/PARK BRAKE	99	0075351	-
STEERING COLUMN/MULTI PLEX	100	0075290	-
12V ENGINE BATT DISC SWITCH	101	0075341	-
FUEL HEAT	102	0075341	-
24V ENGINE BATT DISC SWITCH	103	0075353	-
24V ENGINE BATT DISC SWITCH	104	0075359	-
12V HOUSE BATT DISC SWITCH	105	0075397	-
12V HOUSE BATT DISC SWITCH	106	0075396	-
12V CHANNEL POWER/A2 MODULE	107	0075432	-
12V COMMON POWER/A2 MODULE	108	0075434	-
24V COMMON POWER/A2 MODULE	109	0075442	-
DC CTRL SIGNAL (3.3V/5V/OUT 1)	110	0075991	-
BATT CEILING LIGHTS	111	0075875	-
12V CHNL/IGN OUTPUT A/MOD	112	0075440	-
VOLTAGE REGULATOR	113	0075459	-
ENGINE DOOR OPEN SWITCH	114	0075425	-
ALTERNATOR CHARGE	115	0075481	-
STARTER MOTOR	116	0075485	-
DIMMING CEL/SPOT LIGHTS	117	0075874	-
DIMMING CEL/SPOT LIGHTS	118	0075873	-
TRANSMISSION POWER	119	0075602	-
THROTTLE POSITION SENSOR	120	0075602	-
REAR DIAGNOSTIC	122	0075594	-
ENGINE EXHAUST TEMP	123	0075595	-
17V 2W IGNITION RELAY K ZONE	124	0075596	-
MODULE D2 POWER	125	0075595	-
FRE DETECTION LIGHTS	126	0075573	-
MODULE D2 POWER	127	0075575	-
MODULE D3 POWER	128	0075583	-

DESCRIPTION	SHEET	BB #	REV
W/BA TO HEATER	129	0075590	-
LAUNDRY LIGHTS	130	0075520	-
LAUNDRY LIGHTS	131	0075520	-
ELECTRICAL TRIG INPUT PWR	132	0075655	-
ELECTRICAL TRIG INPUT PWR	133	0075655	-
AC FRONT KITCHEN/BATH	134	0075655	-
TANK/FAN/BY/HT/CL/CTR/LSIDE	135	0075664	-
DC CONTROL SIG 1,2,3,4,4	136	0075668	-
DC CONTROL SIG 1,2,3,4,4	137	0075671	-
WTR PMP REEL PWR W/IMP V/L	138	0075672	-
BEKROOM LIGHTS	140	0075674	-
BEKROOM PORCH LITS AND REFRIG	141	0075714	-
HEATER/PORCH LITS	142	0075676	-
DW/BATH AND LR 2 LITS	143	0075708	-
BEKROOM HEATER AND A/C	144	0075678	-
CEILING FLOOR/STA AND 2P LITS	145	0075679	-
RED CEILING LIT REVA/THERMO	146	0075701	-
RED CEILING LIT REVA/THERMO	147	0075677	-
CP SWITCH PANEL SIGNAL	148	0075659	-
LIVING ROOM CEILING LIGHT	149	0075642	-
LIVING ROOM CEILING LIGHT +1+2	150	0075675	-
PORCH/STA LIGHT REFRIG	151	0075774	-
BEKROOM CLOSET LIGHT	152	0075777	-
HFD DASH A/C BEDROOM	153	0075779	-
HOUSE A/C	154	0075781	-
HOUSE A/C	155	0075782	-
BATT D/WATER COM	156	0075823	-
BATT D/WATER COM	157	0075797	-
WASHER/DRYER CLOSET LIGHTS	158	0075872	-
PRIVATE TOILET CEILING LIGHT	159	0075853	-
KITCHEN/SPOT CEILING LIGHT	160	0075858	-
LIVING ROOM LIGHTS	161	0075847	-
REAR BATH/ELECT TOILET	162	0075886	-
DC CONTROL SIGNAL	163	0075859	-

CONTROL WIRE NUMBER/COLOR CODE SYSTEM

COLOR	LAST DIGIT OF WIRE NUMBER
TAN	1
RED	2
ORANGE	3
YELLOW	4
GREEN	5
BLUE	6
PURPLE	7
GRAY	8
BLACK	9
WHITE	USED FOR ALL GROUNDING

FIRST LETTER OF THE LETTERS-THE WIRE COLOR
FIRST SERIES OF THE NUMBER-THE VOLTAGE AND
PIN ASSIGNMENT OF THE CONNECTOR AT THE MODULE

A2-105
A2 = A ZONE
A2 = ALZOMOLE
105 = (1 = 12 VOLTS) (05 = PMSV COLOR GREEN)

DD = D ZONE
10 = 10 GAUGE WIRE
214 = (2 = 24 VOLTS) (14=PIN 14 COLOR YELLOW)

BLUE BROWN LO CNTRL WIRE SYSTEM
24 VOLT WIRES ARE GREEN
12 VOLT WIRES ARE BLACK

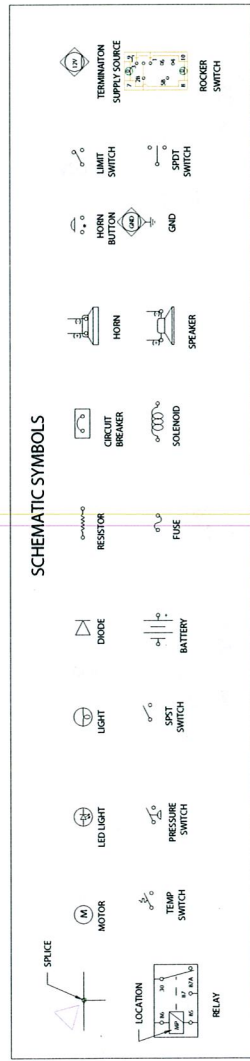
EXAMPLE 24V010
24V = 24 VOLTS COLOR GREEN
01 = 01 GAUGE WIRE
10 = 10 GAUGE WIRE

EXAMPLE 12V012
12V = 12 VOLTS COLOR RED
01 = 01 GAUGE WIRE

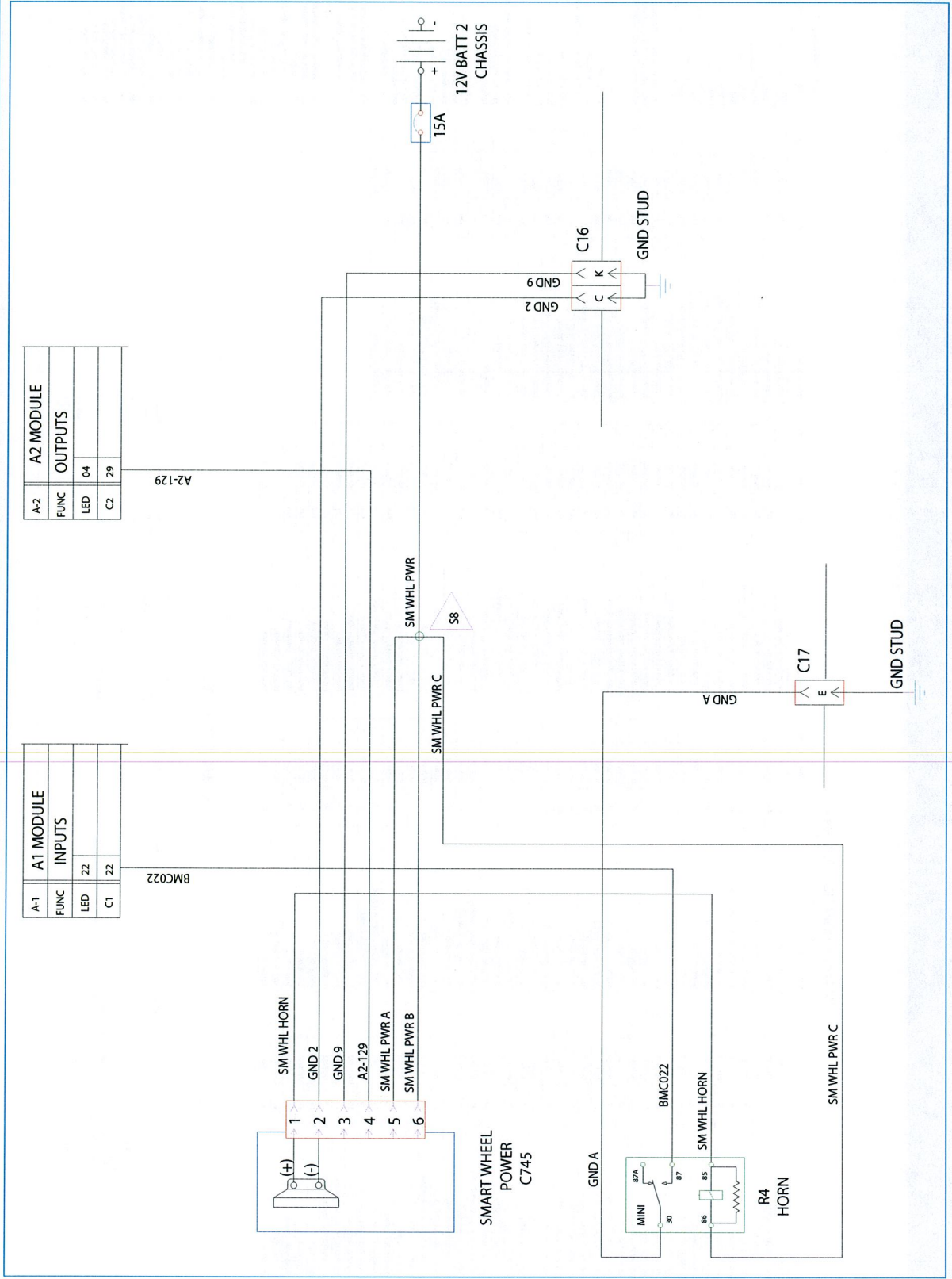
ALL OTHER WIRES THAT DO NOT FIT INTO THESE CATEGORIES WILL BE FUNCTION CODED

SCHEMATIC LEGEND

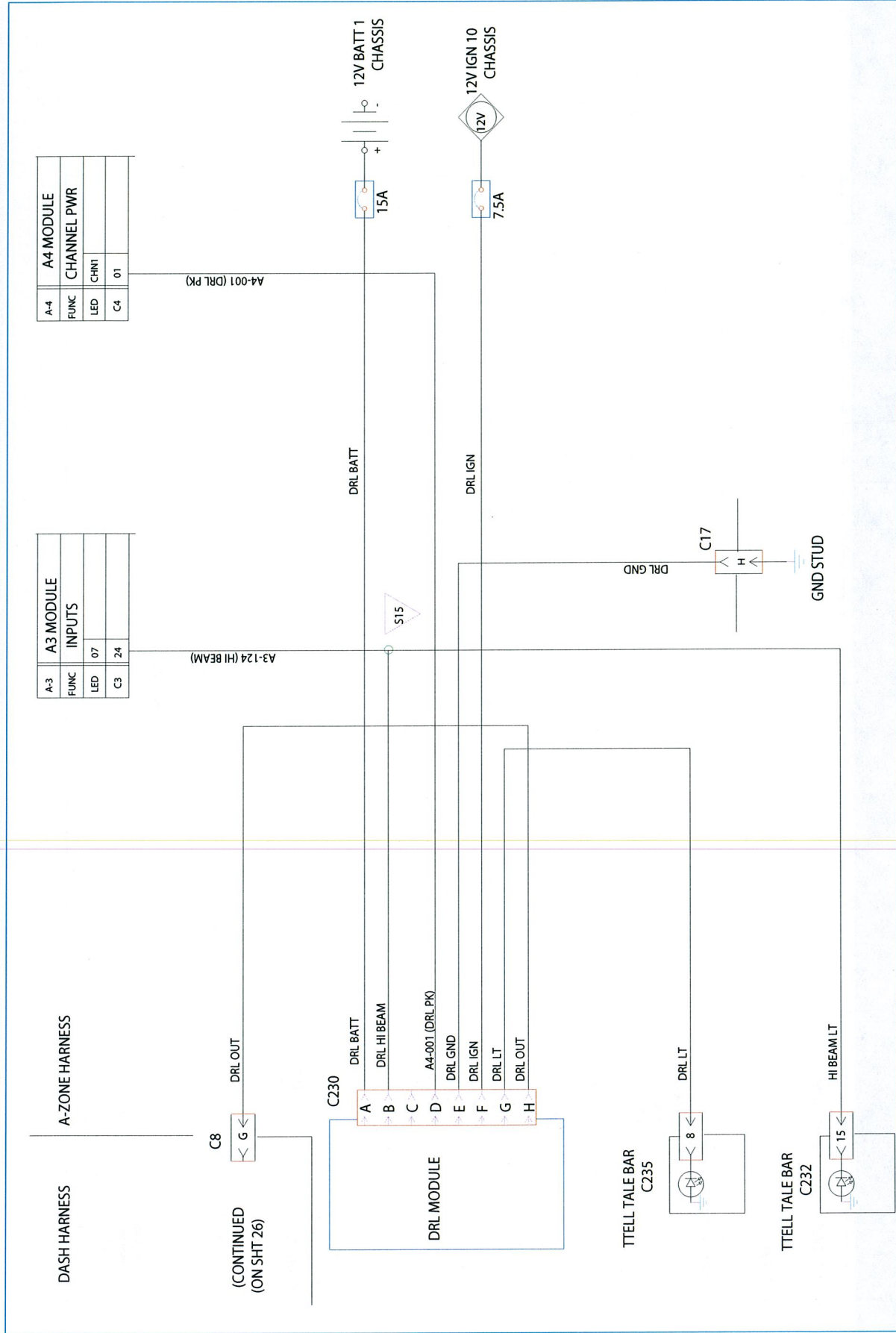
- AC REAR A/C COMPARTMENT
- BC BATTERY COMPARTMENT
- BZ B ZONE
- CB CURB SIDE REAR BUMPER
- C CURB SIDE REAR BUMPER
- D6 DRIVERS BARBER
- DH DRIVERS DASH PANEL
- DD DESTINATION SIGN AREA
- D5 DESTINATION SIGN AREA
- EZ ENGINE CONTROL BOX
- EC ENGINE COMPARTMENT
- FB FRONT DOOR HEADER
- FD FRONT DOOR BOX
- FF FUSE PANEL
- FP FUSE PANEL
- MP MAIN ELECTRICAL PANEL
- RD REAR DOOR HEADER
- RE REAR ELECTRICAL CENTER
- SB STREET SIDE REAR BUMPER
- SC STEERING COLUMN
- SP SIDE SWITCH PANEL
- TB TERMINAL BLOCK
- TP TEST POINT PANEL



Wiring Schematic 0073115 - Smart Wheel Power, Horn



Wiring Schematic 0075232 - DRL Module Power

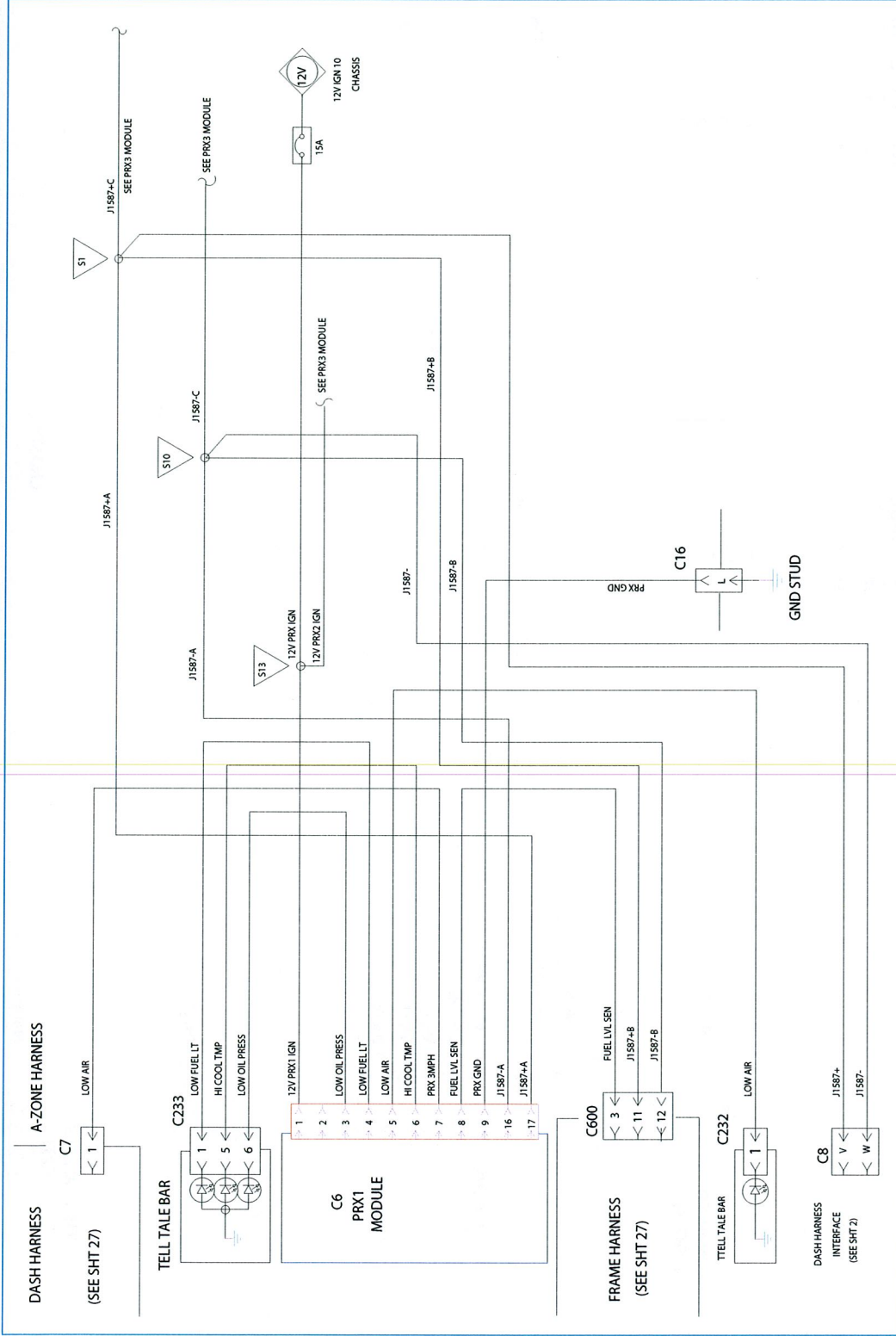


A-4				A4 MODULE	
FUNC	LED	CHNT	C4	CHANNEL	PWR
			01		

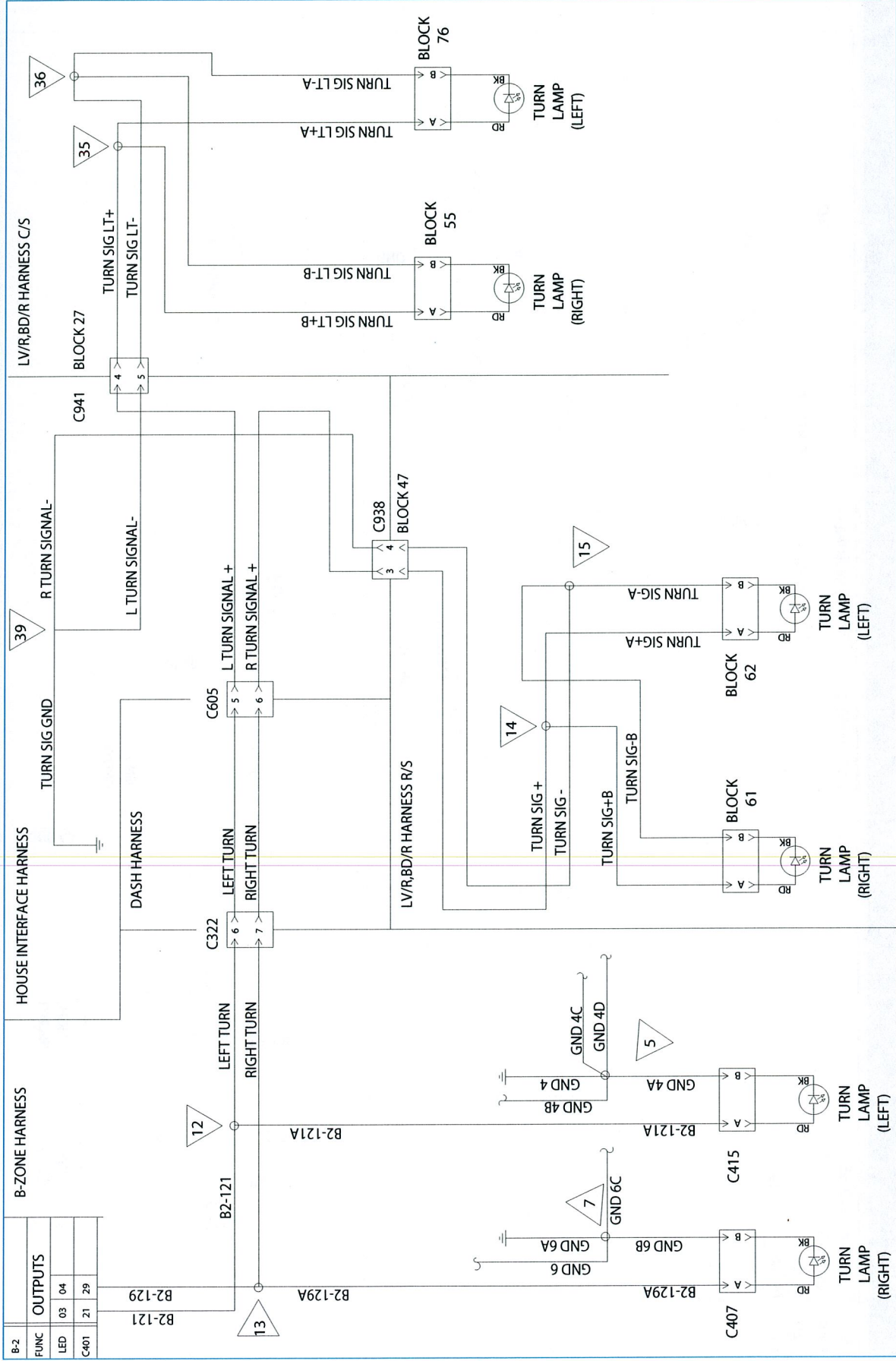
A-3				A3 MODULE	
FUNC	LED	CHNT	C3	INPUTS	
			24		

(CONTINUED
(ON SHT 26)

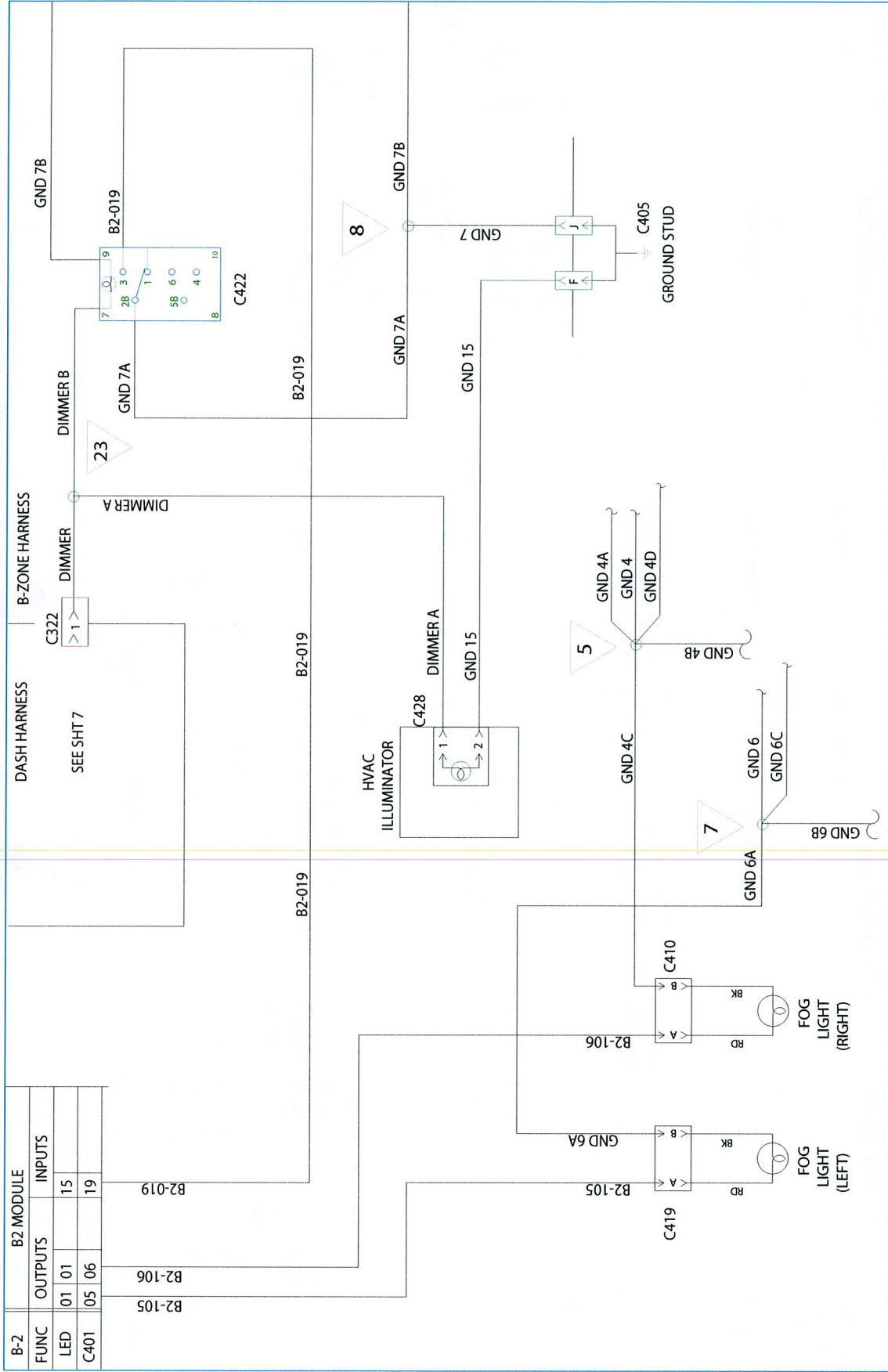
Wiring Schematic 0075233 - PRX 1 Module Power



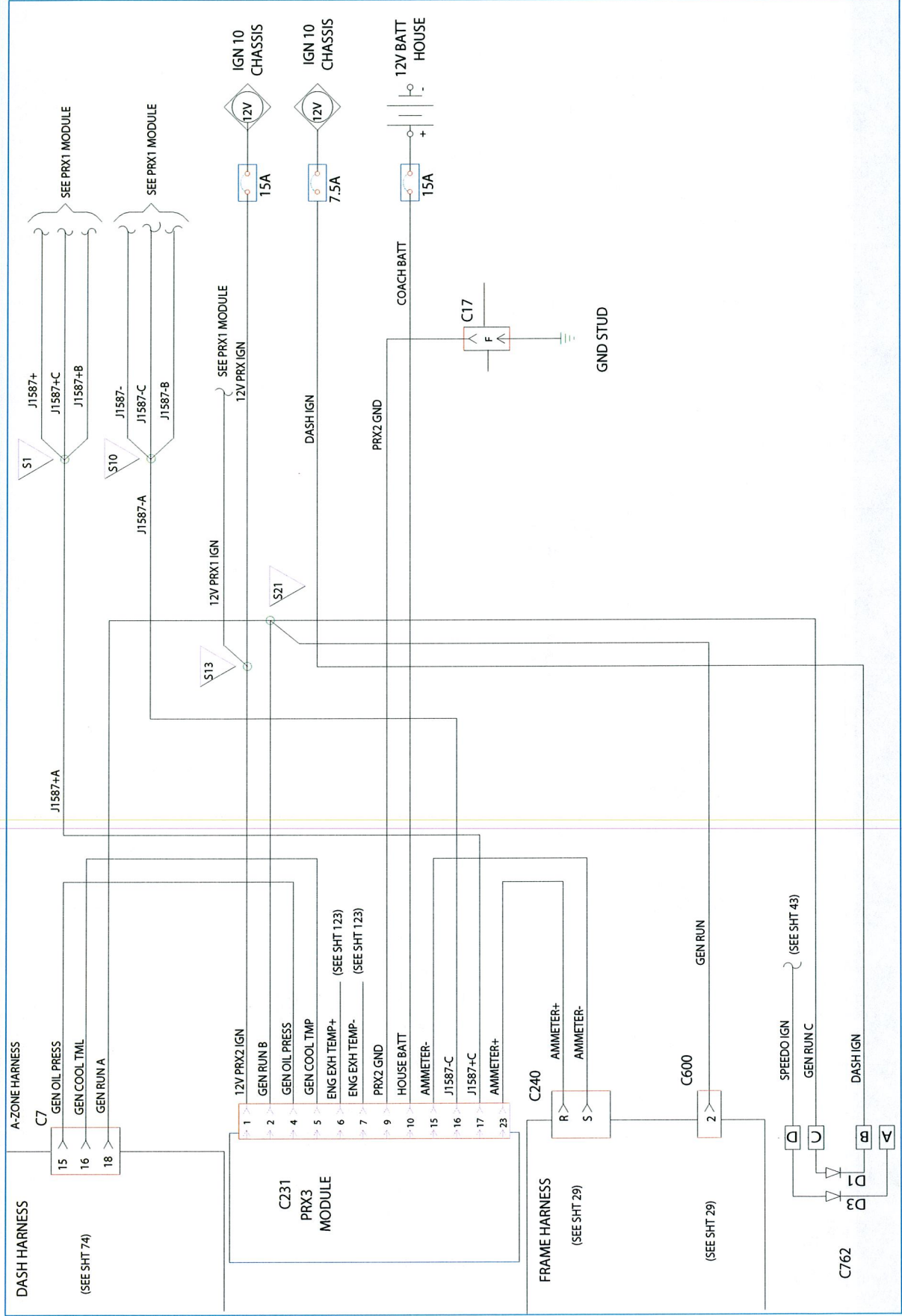
Wiring Schematic 0075706 - High Beam Lights



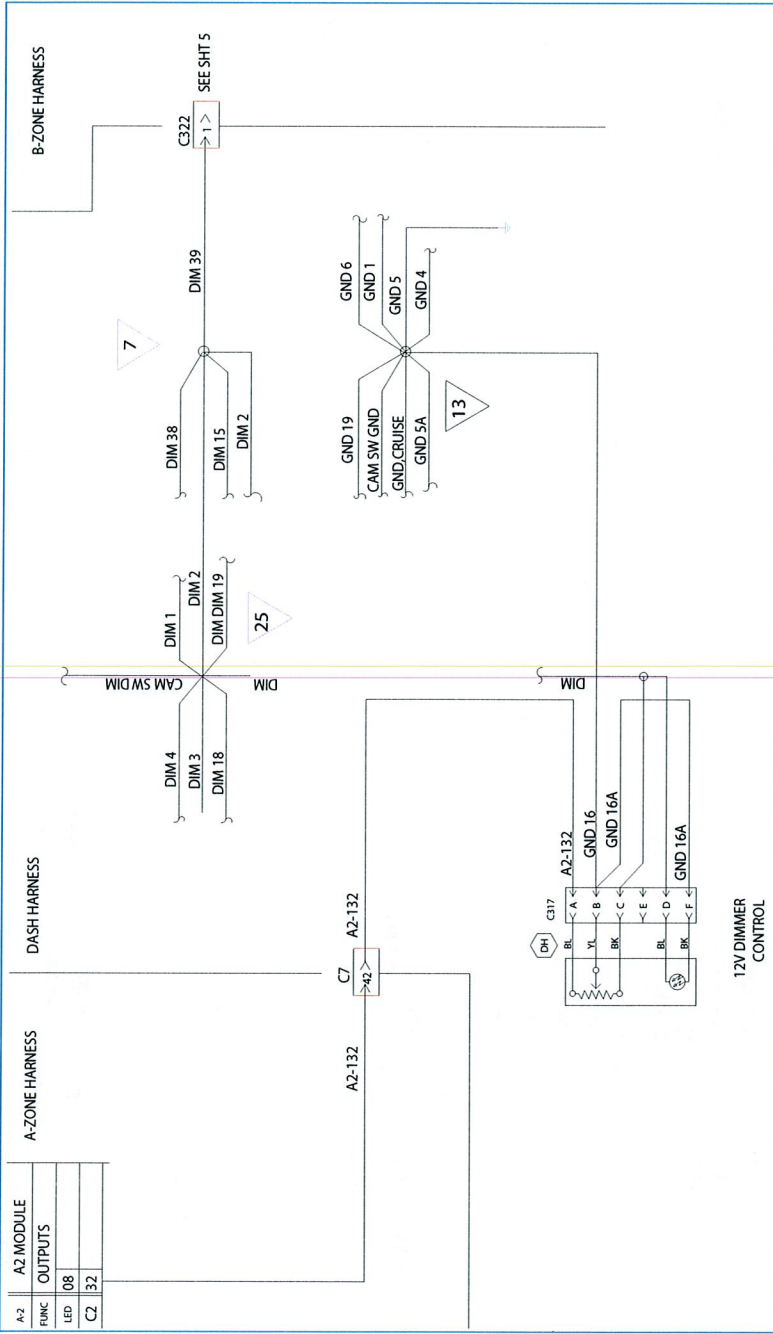
Wiring Schematic 0075727 - Fog Light Switch



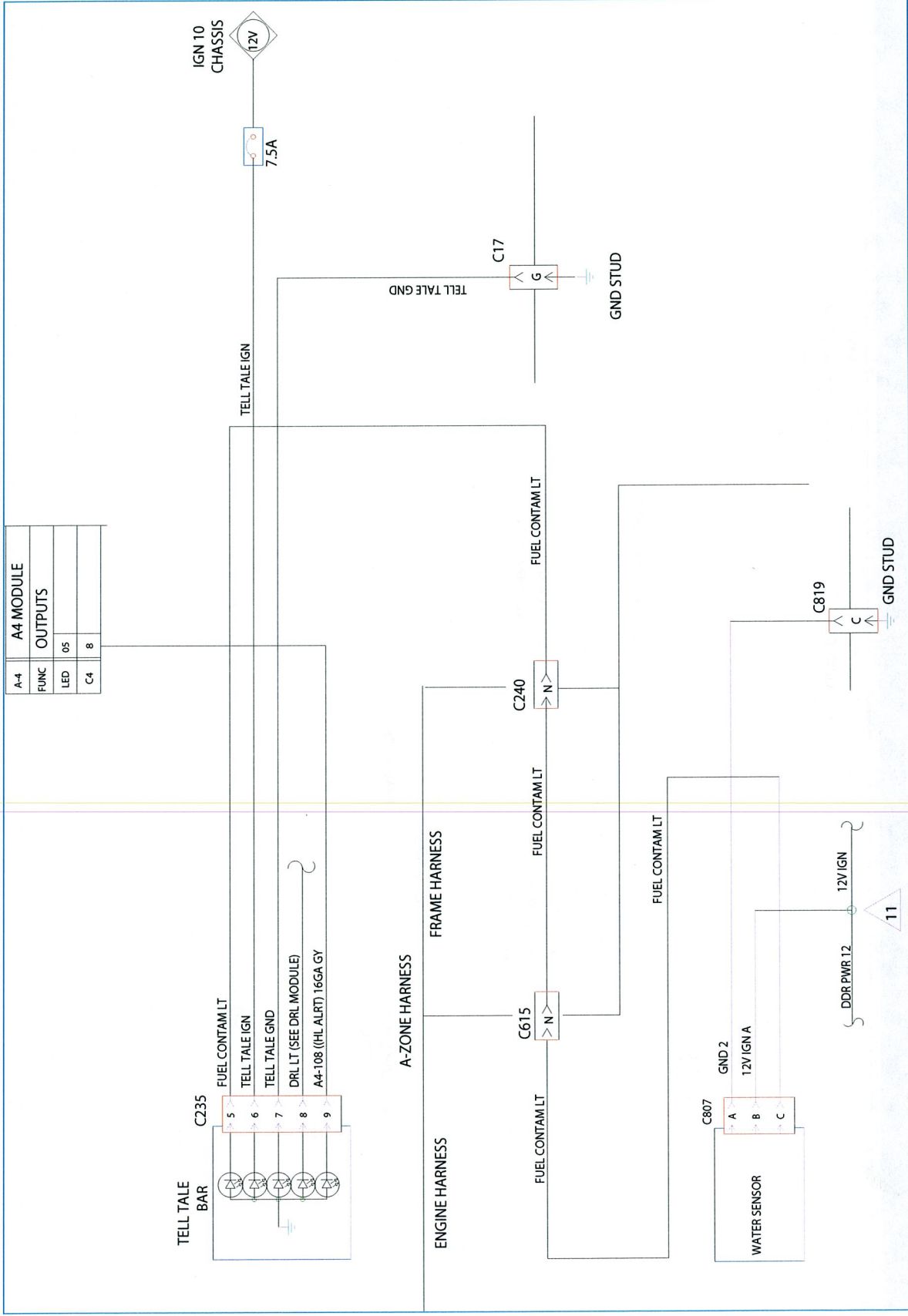
Wiring Schematic 0075234 - PRX 3 Module Power



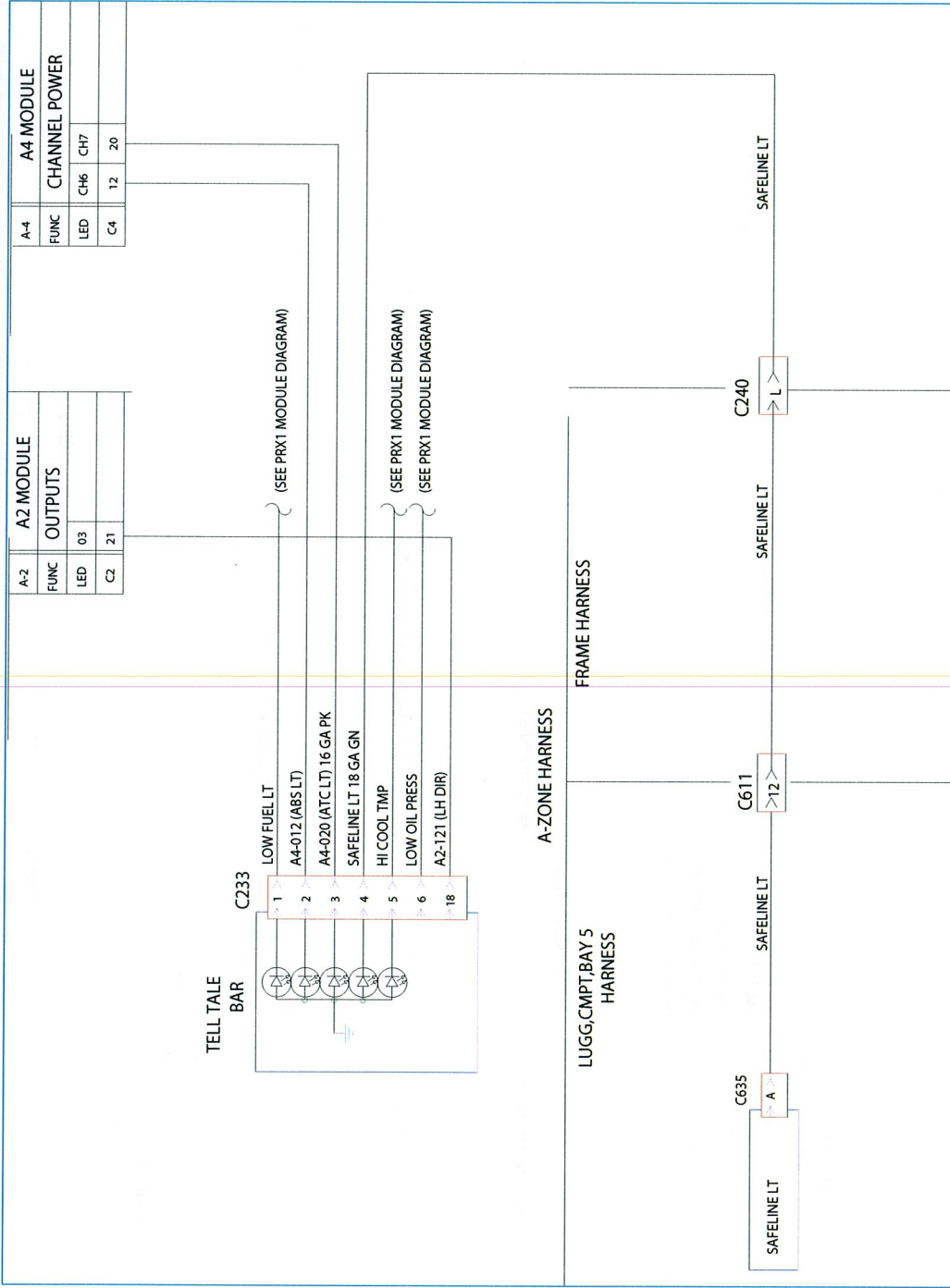
Wiring Schematic 0075731 - Dimmer Control



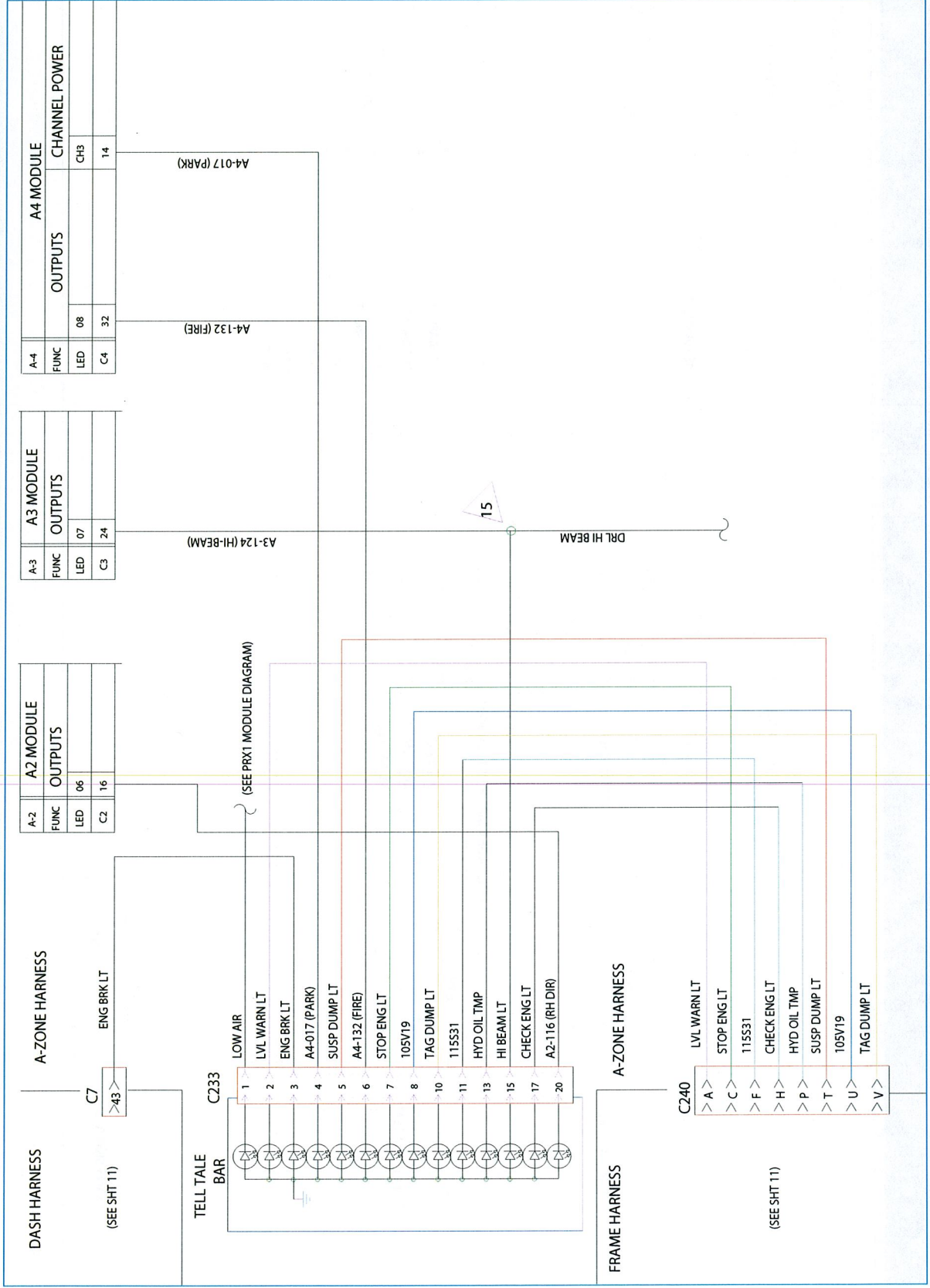
Wiring Schematic 0075301 - 12 Pin Telltale Bar



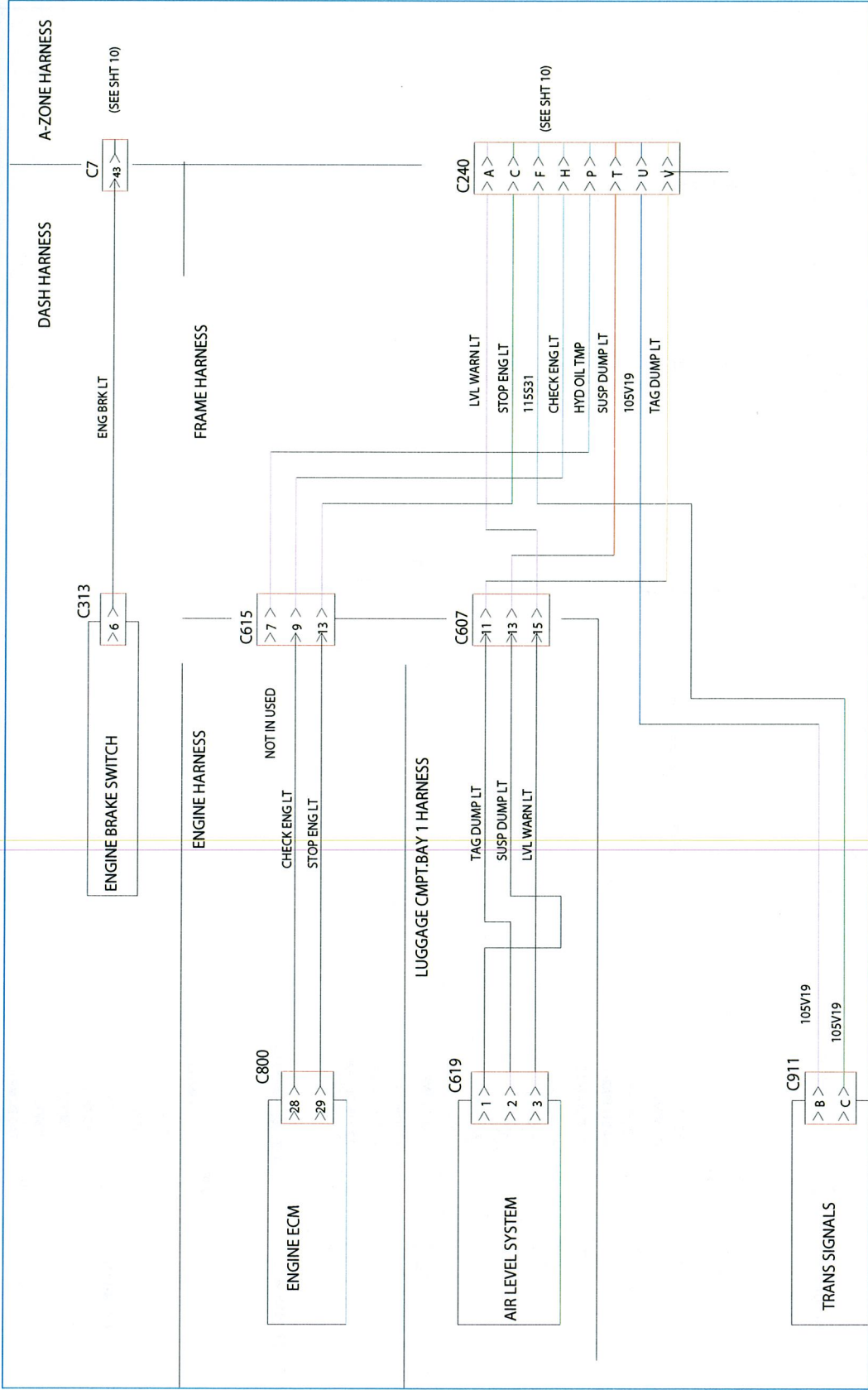
Wiring Schematic 0075312 - 18 Pin Telltale Bar



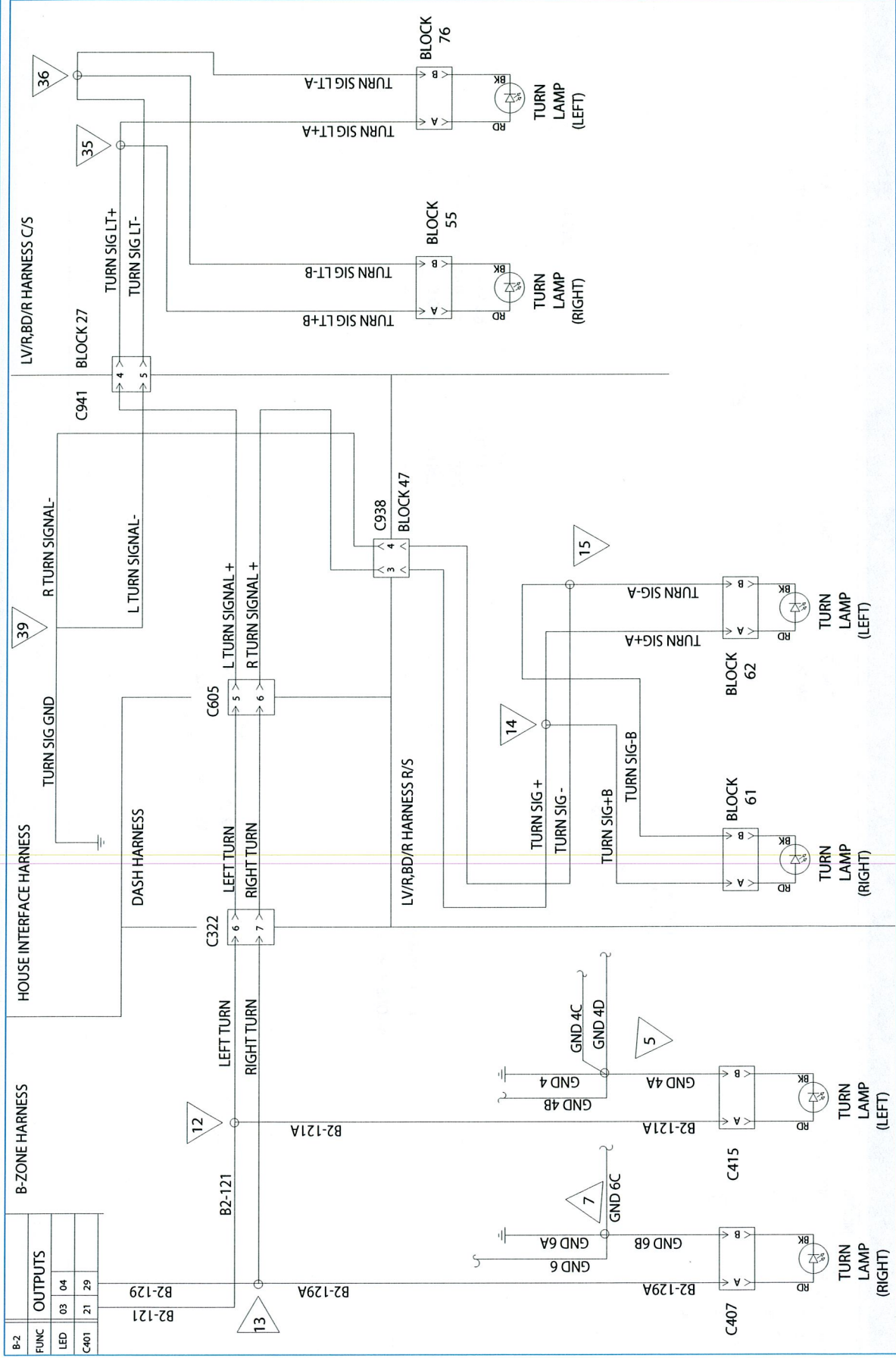
Wiring Schematic 0075315 - 20 Pin Telltale Bar



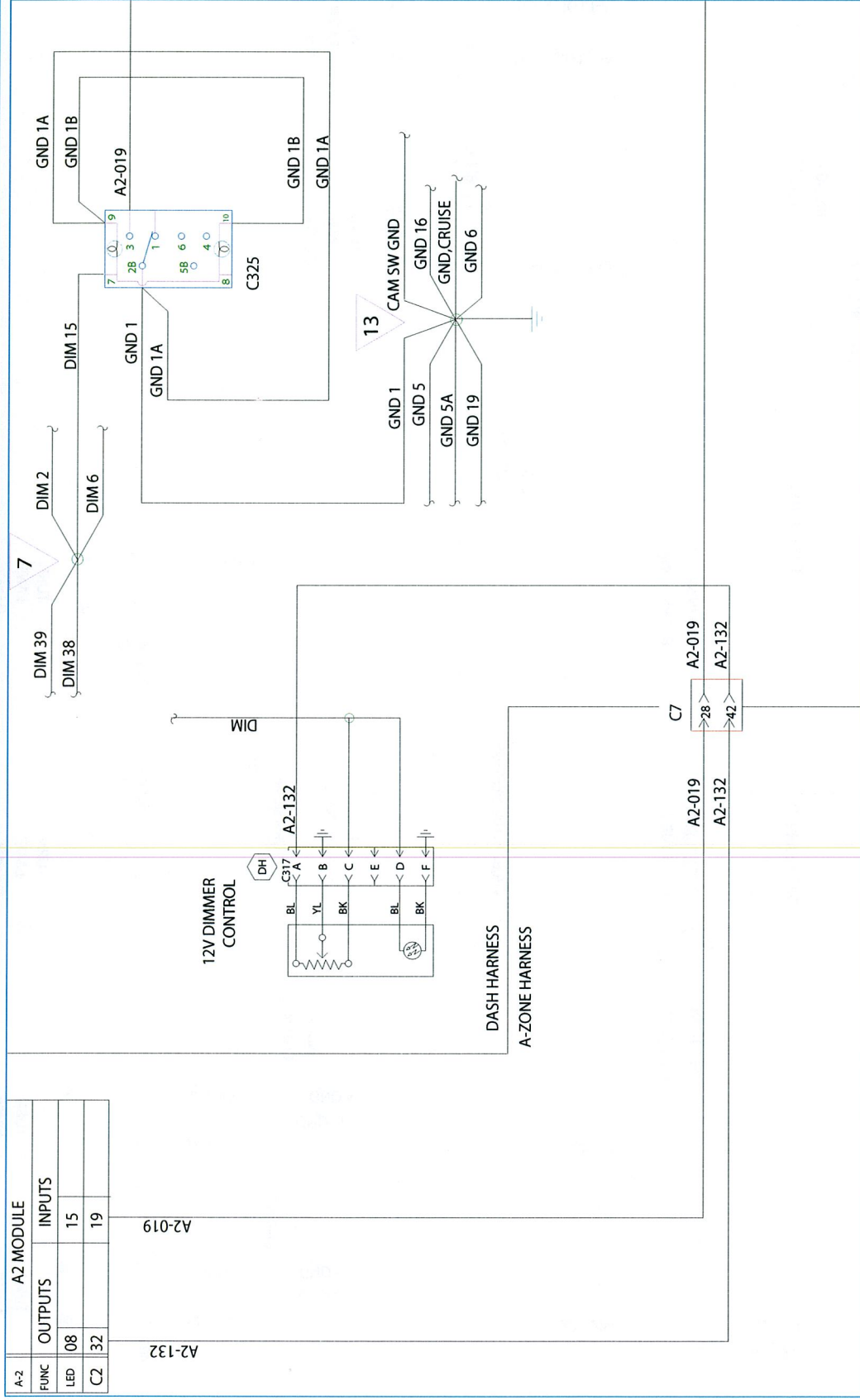
Wiring Schematic 0075719 - Air Leveling System



Wiring Schematic 0075396 - Directional Signals

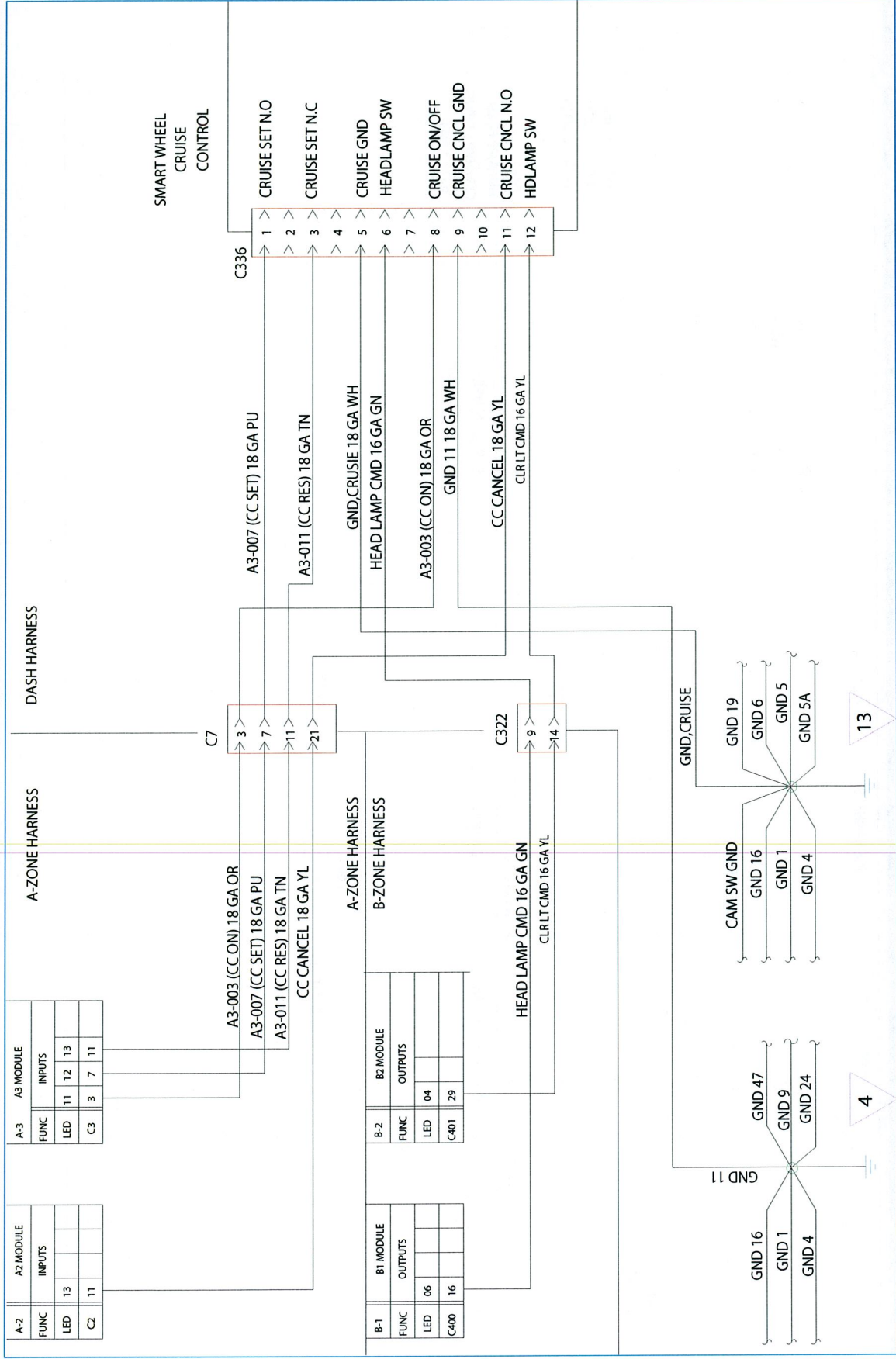


Wiring Schematic 0075423 - Mirror Heat Switch

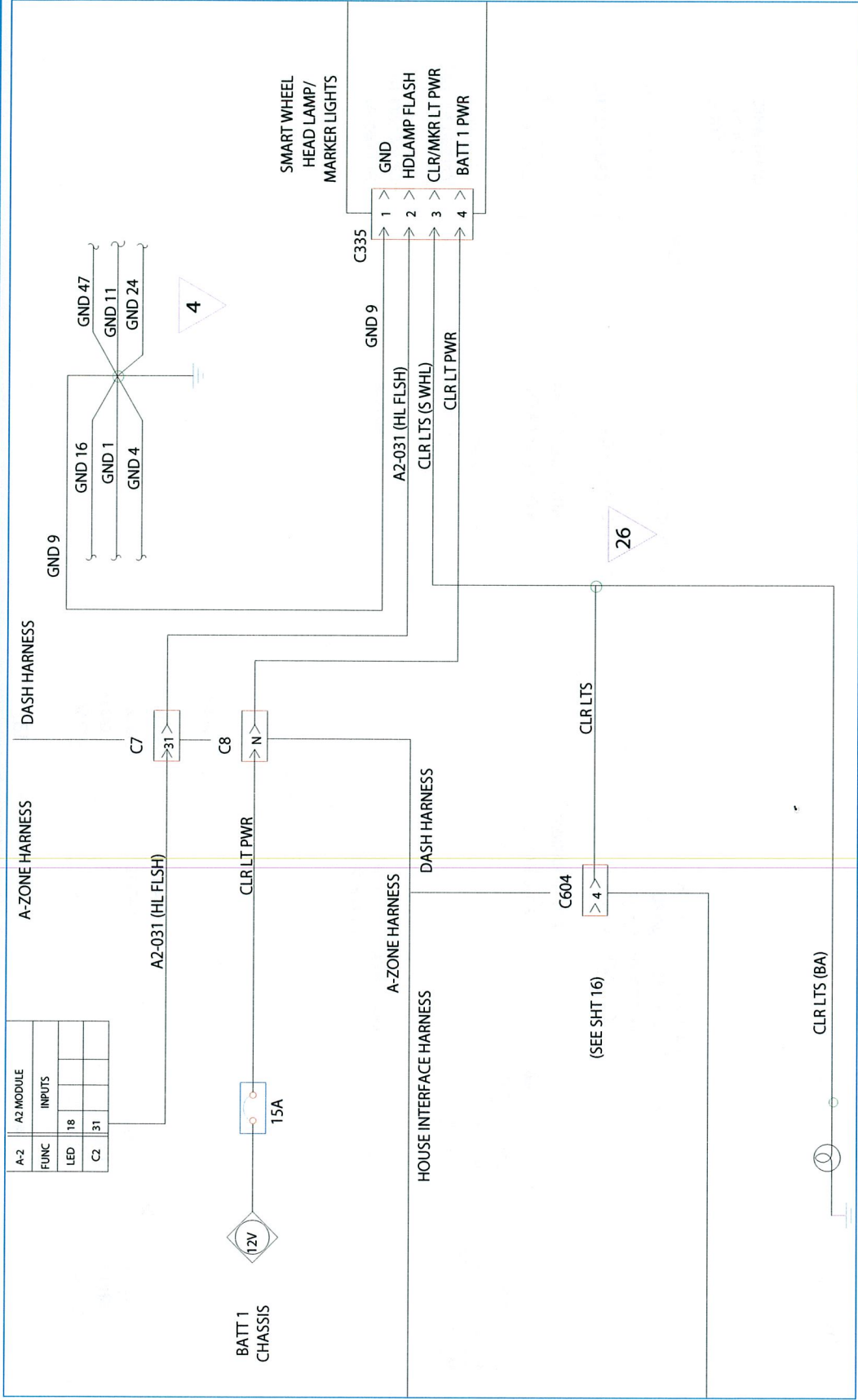


A2 MODULE	
FUNC	INPUTS
LED	15
C2	19

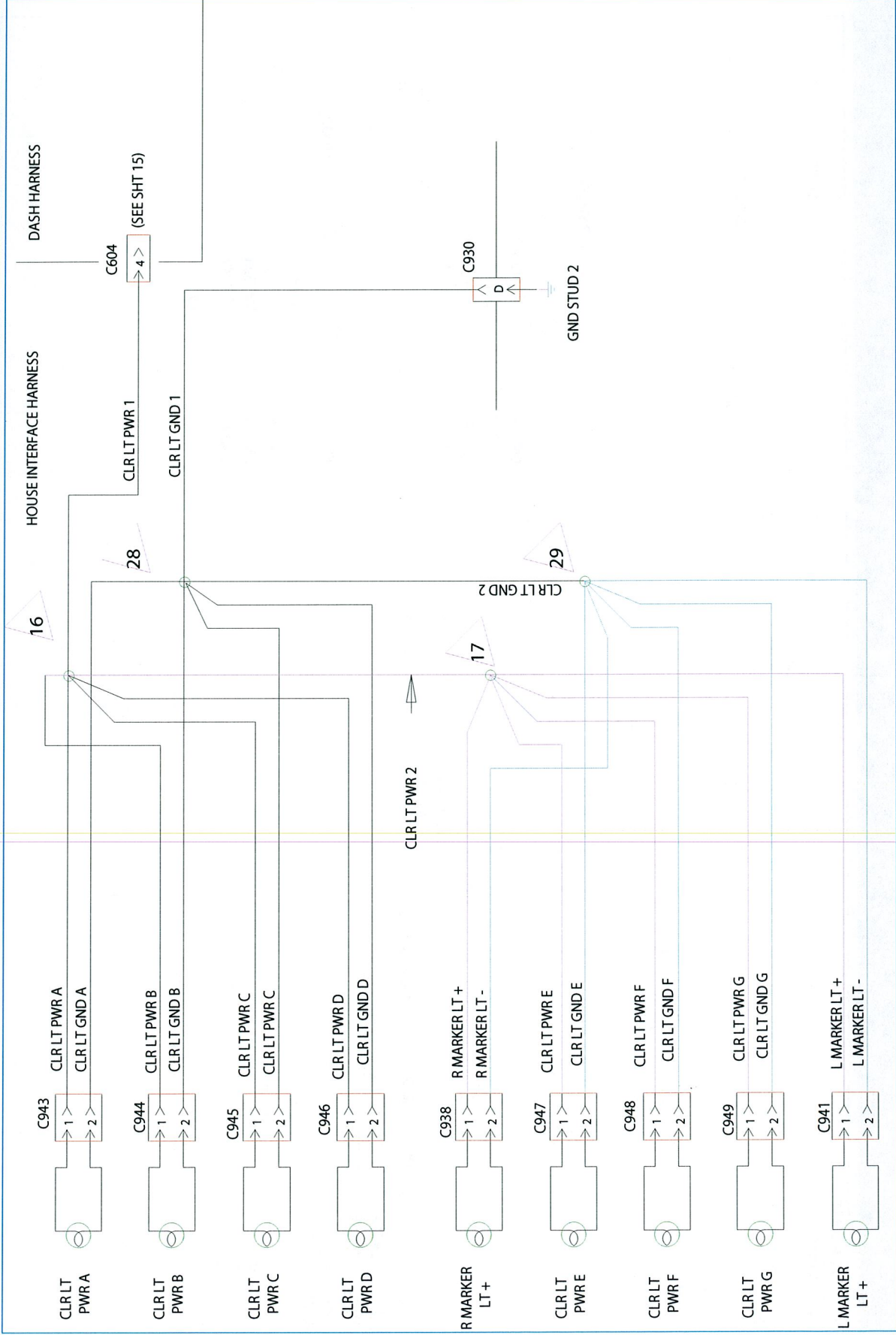
Wiring Schematic 0075424 - Smart Wheel Cruise Control



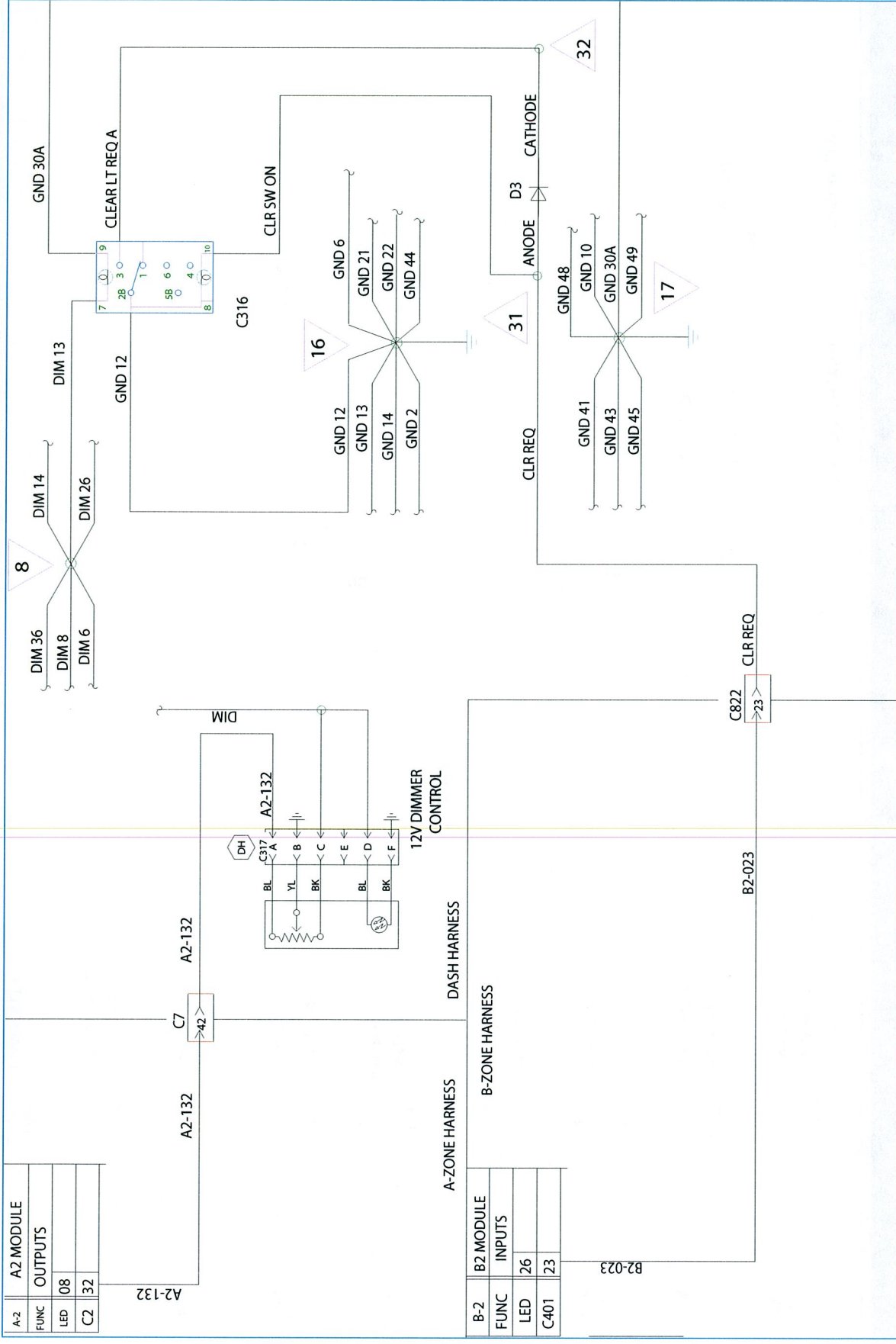
Wiring Schematic 0075721 - Smart Wheel, CLR/Mirror Lts Pwr



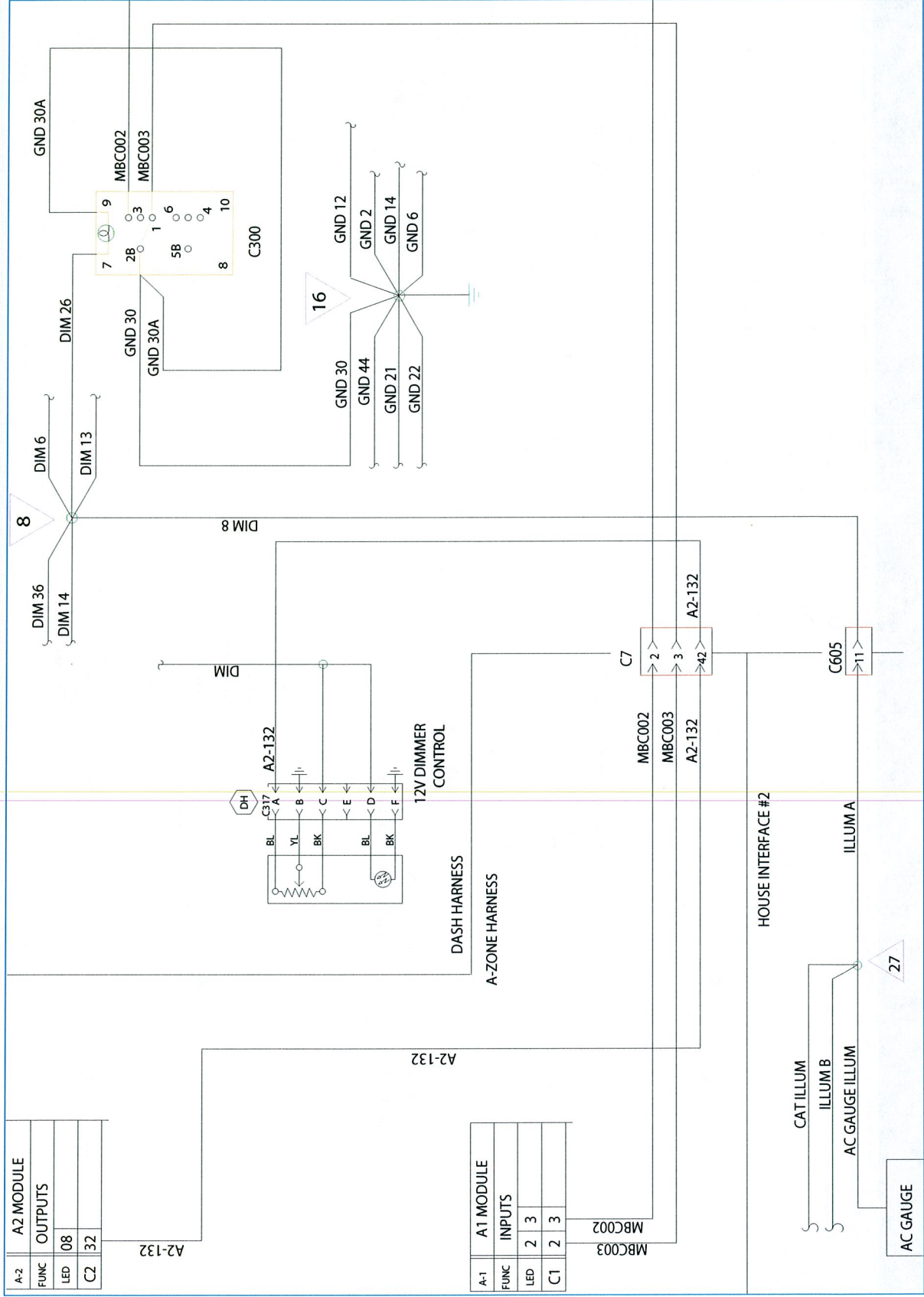
Wiring Schematic 0075720 - Clearance / Marker Lights



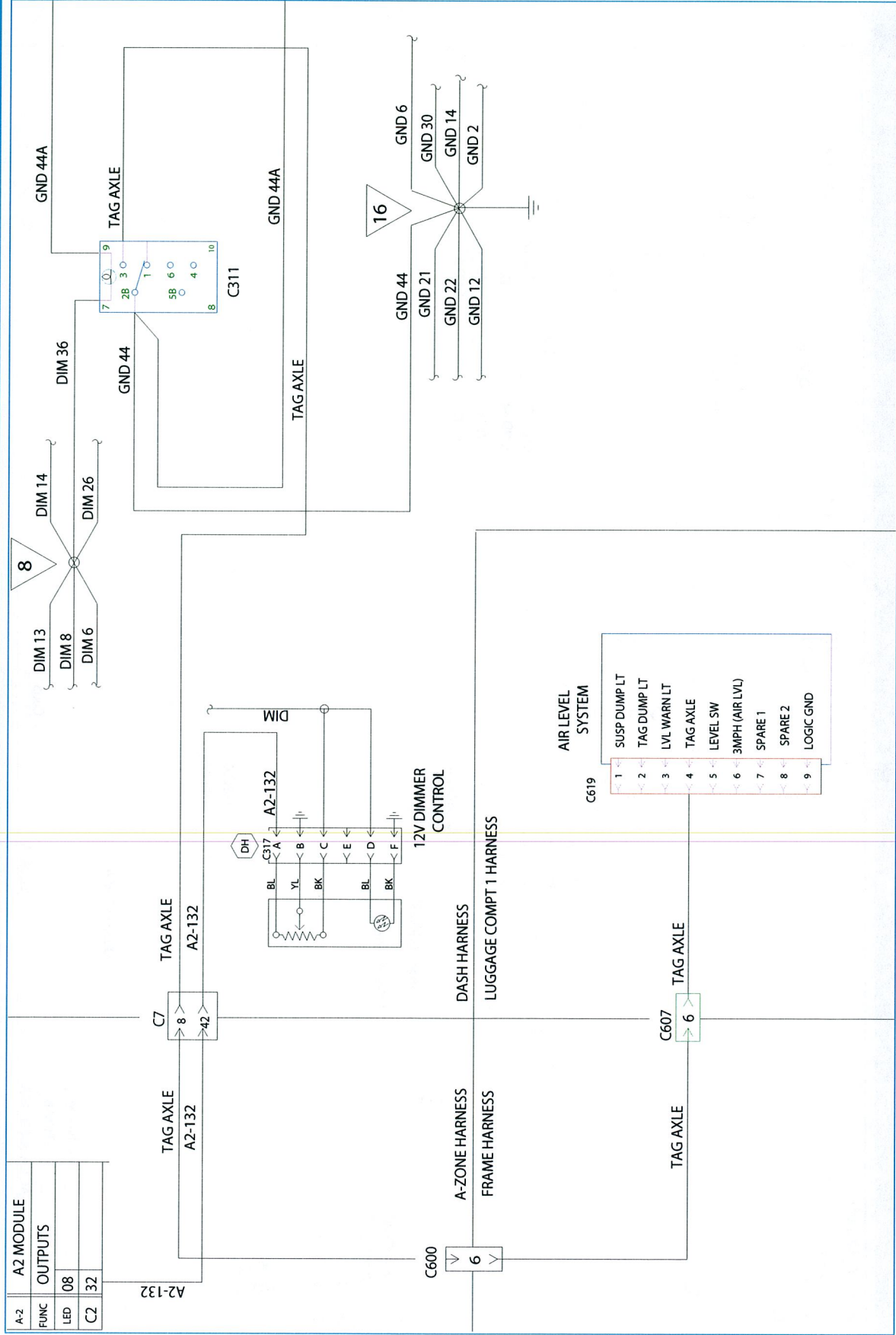
Wiring Schematic 0075459 - Clearance Lights Switch



Wiring Schematic 0075460 - Head / Park Lights Switch

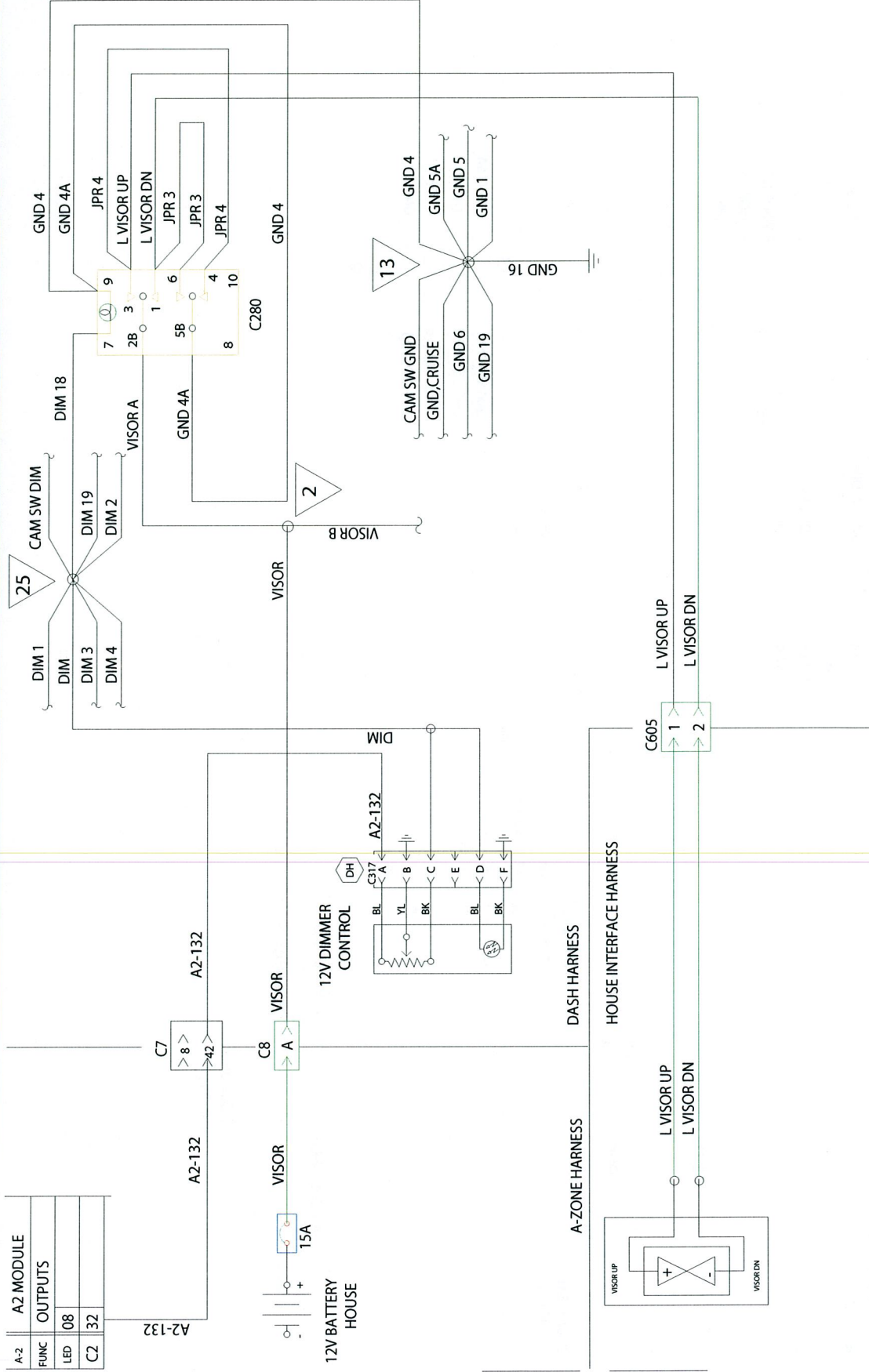


Wiring Schematic 0075564 - Tag Axle Switch

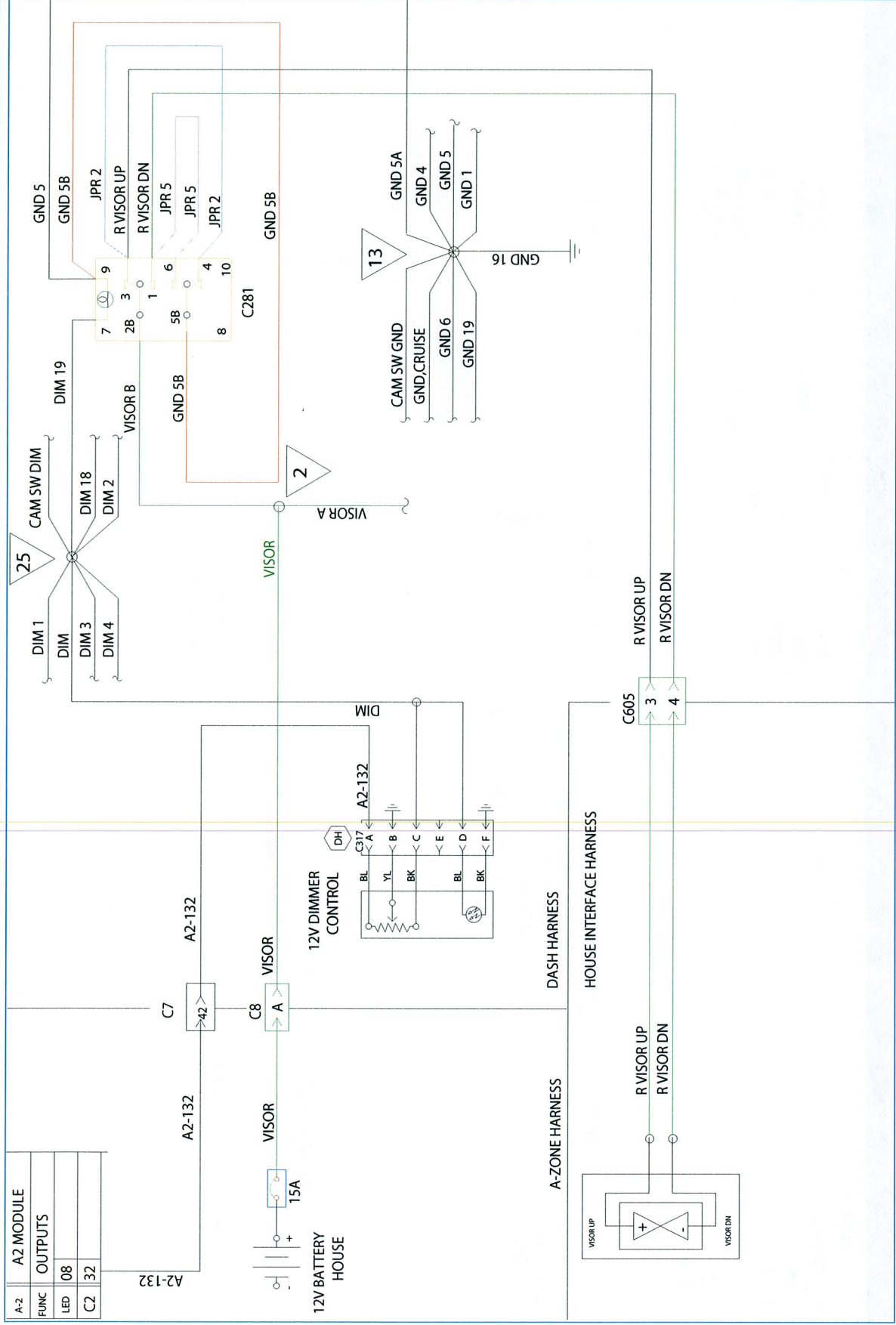


Wiring Schematic 0075565 - Left Visor Switch

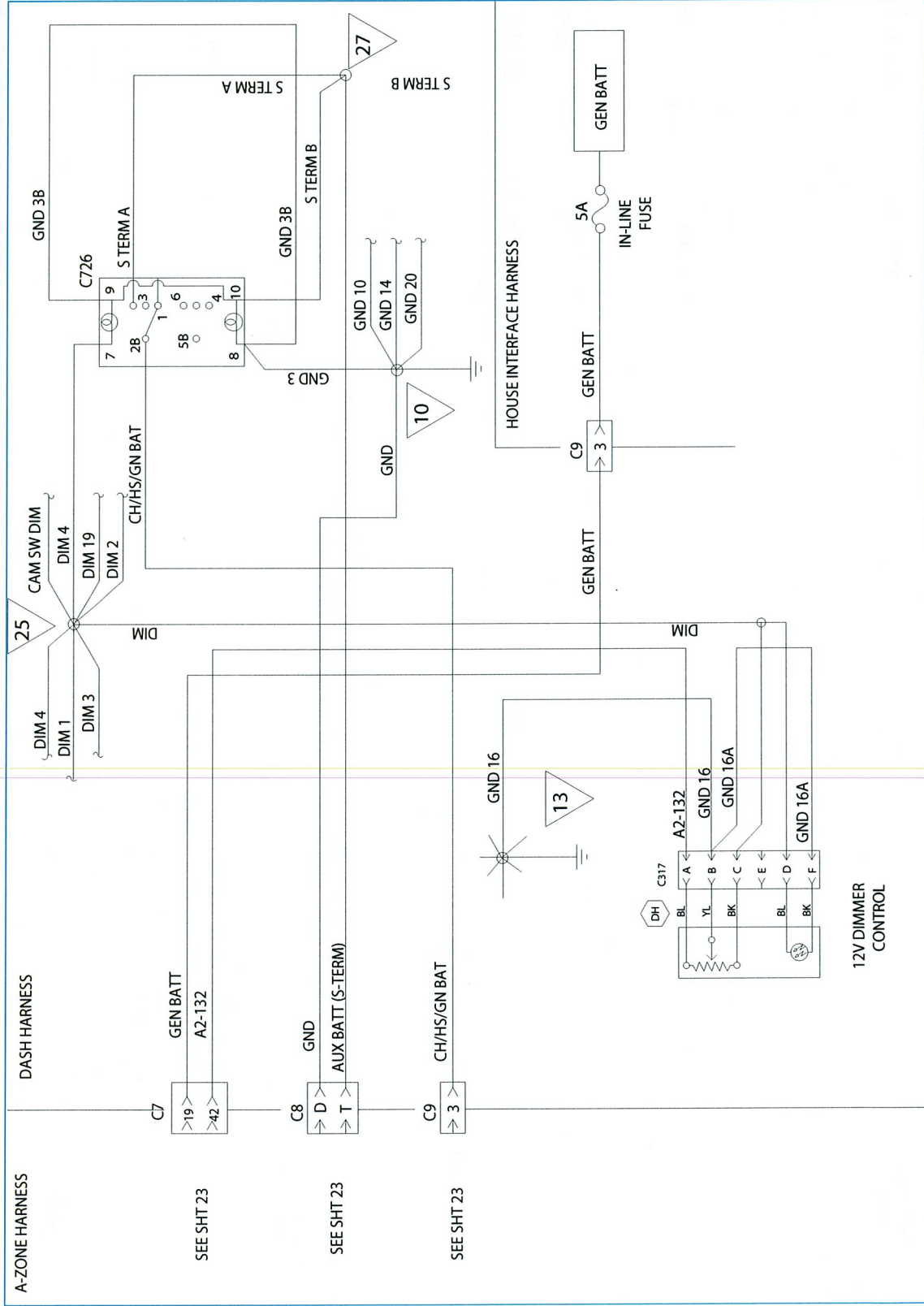
A-2	A2-MODULE
FUNC	OUTPUTS
LED	08
C2	32



Wiring Schematic 0075577 - Right Visor Switch

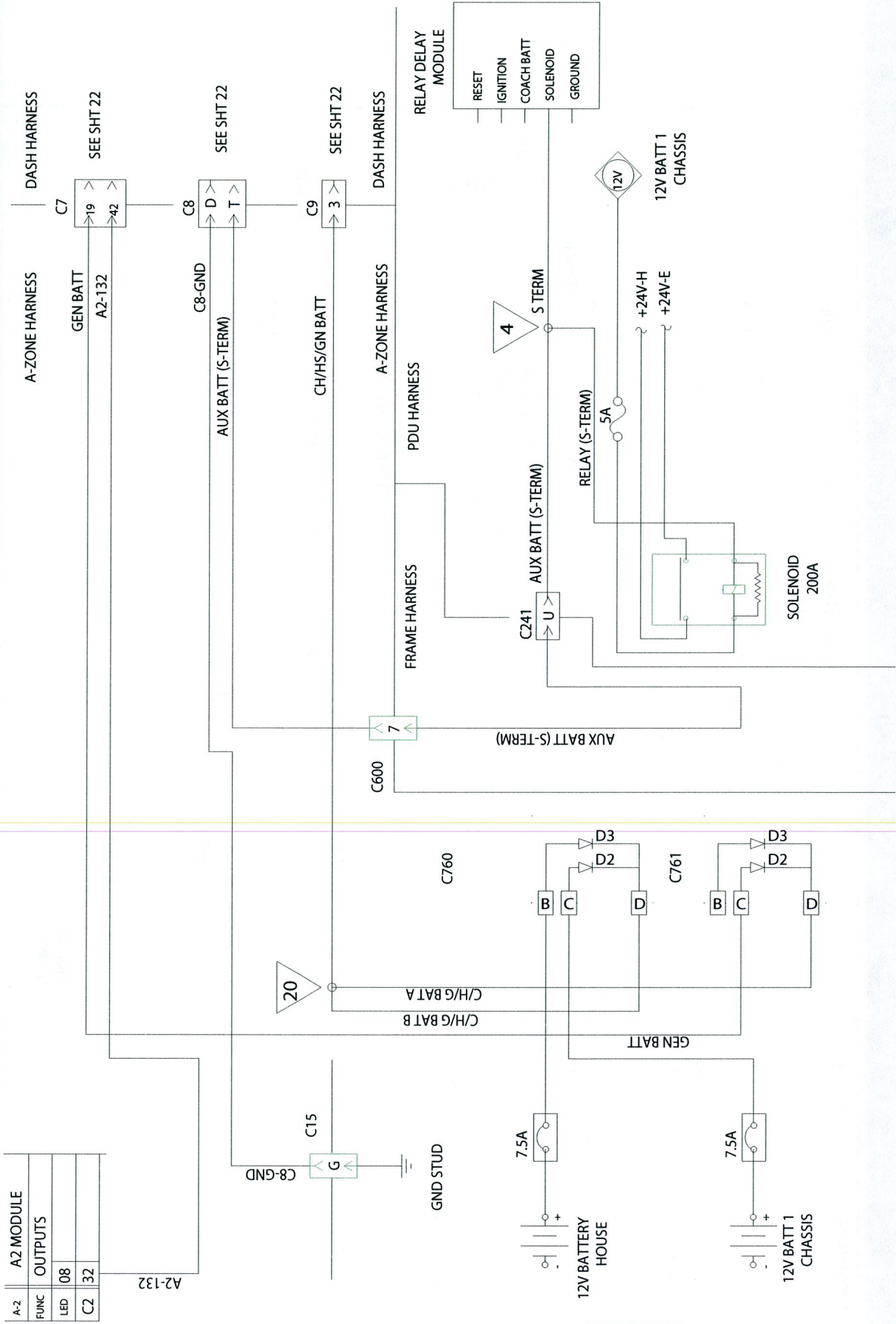


Wiring Schematic 0075578 - Auxiliary Battery Switch

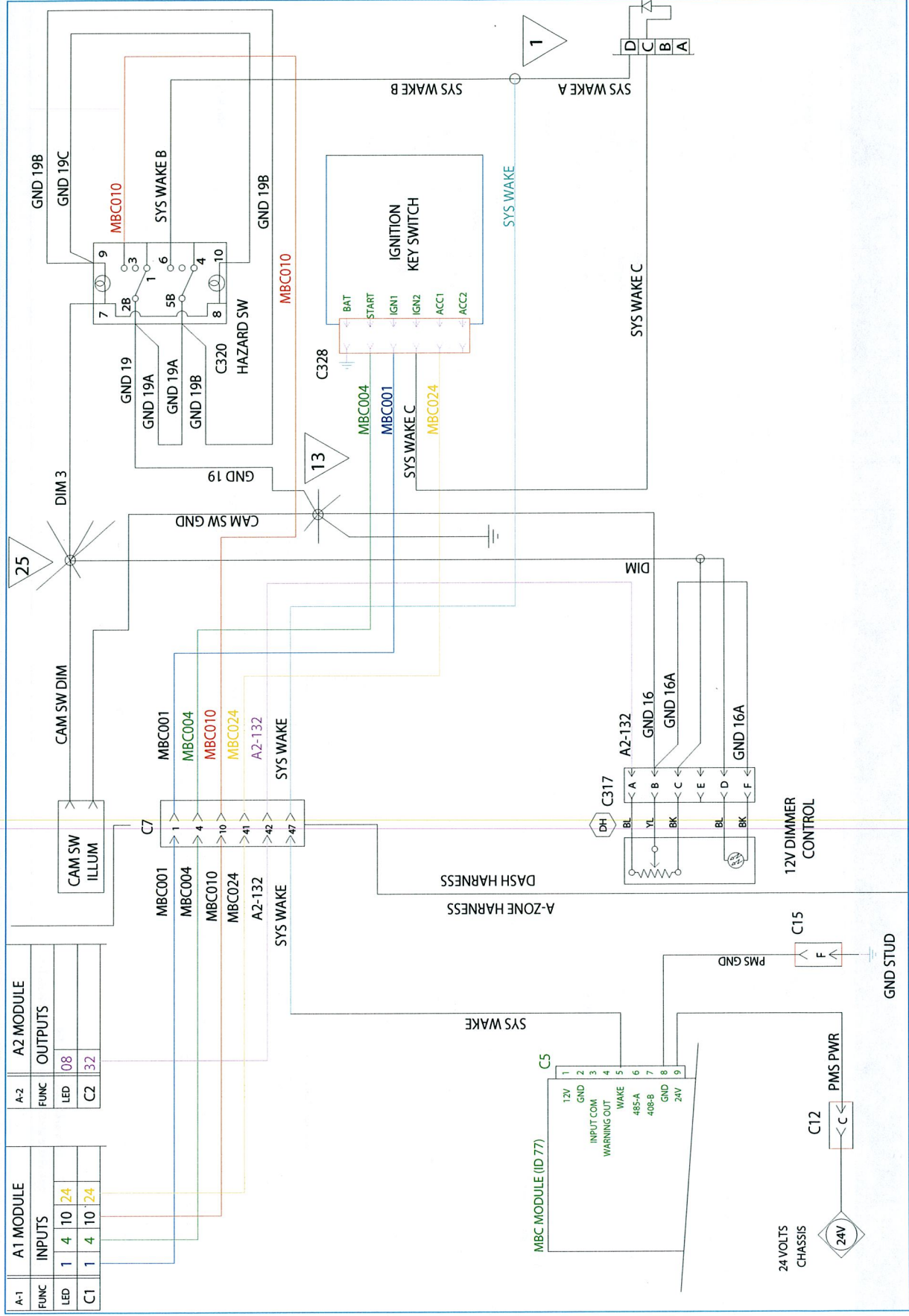


Wiring Schematic 0075723 - Auxiliary Battery Switch Power

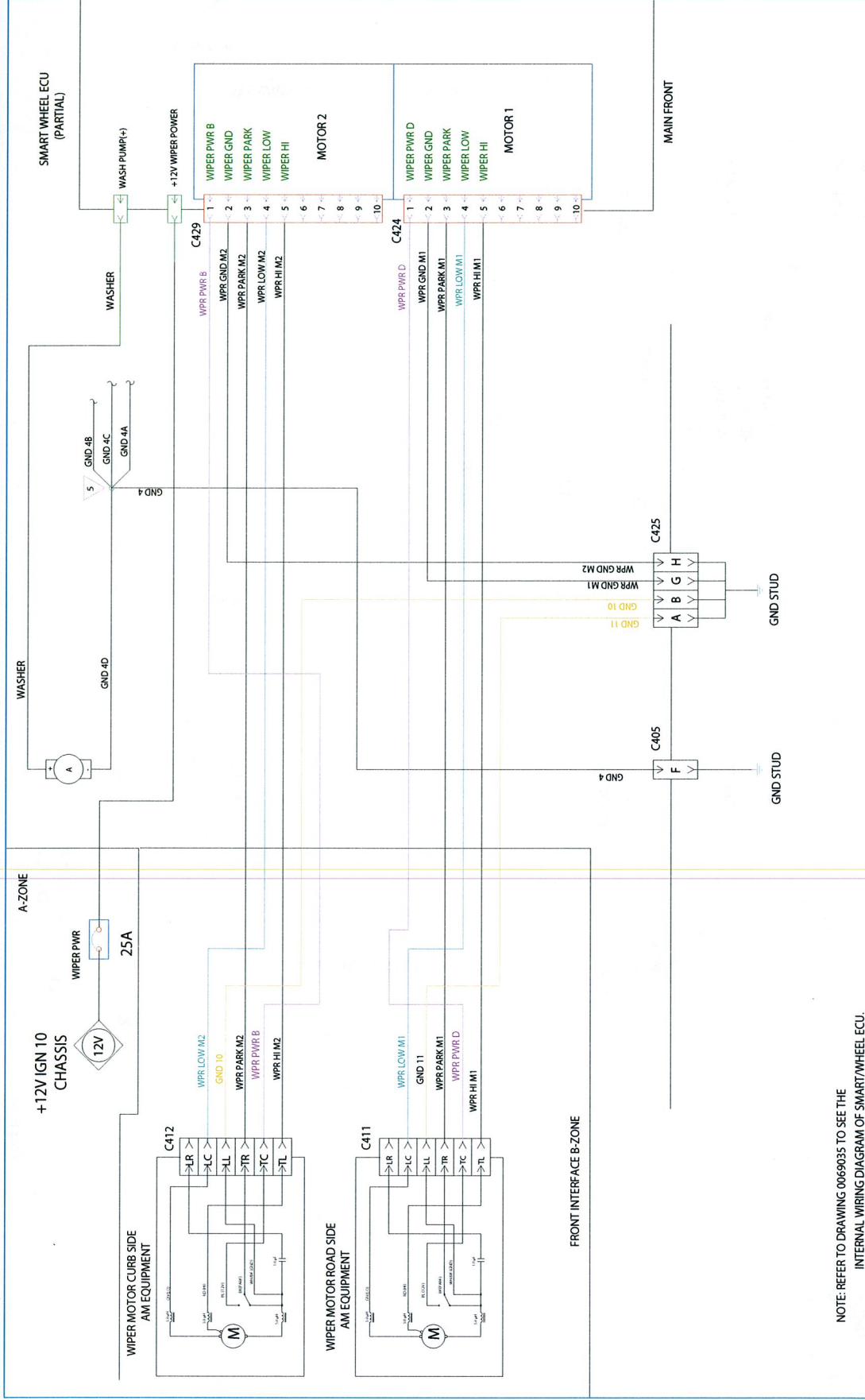
A-2	A2 MODULE
FUNC	OUTPUTS
LED	08
C2	32



Wiring Schematic 0075609 - Hazard Switch / Key Switch

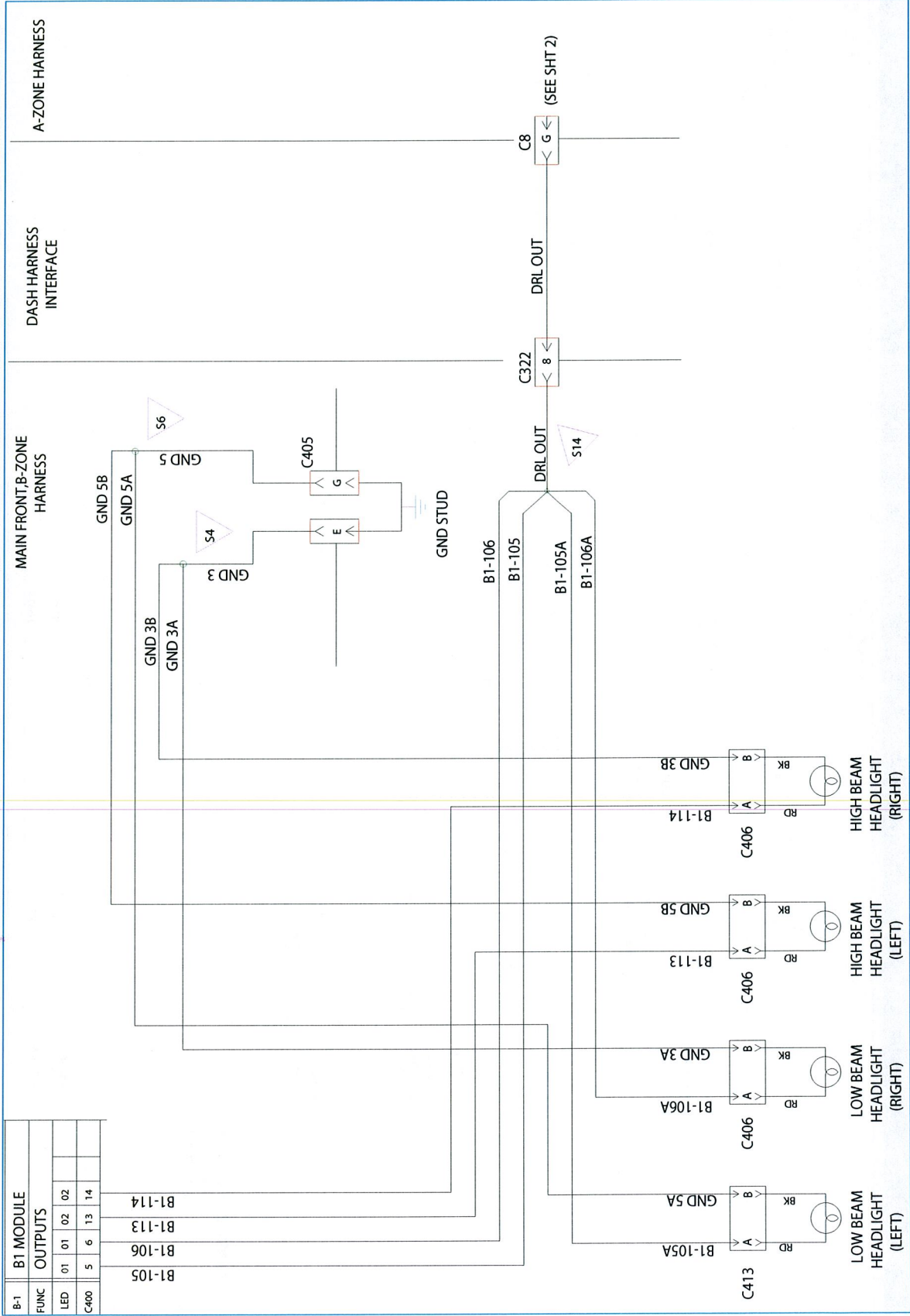


Wiring Schematic 0075657 - Smart Wheel ECU, Wiper / Washer



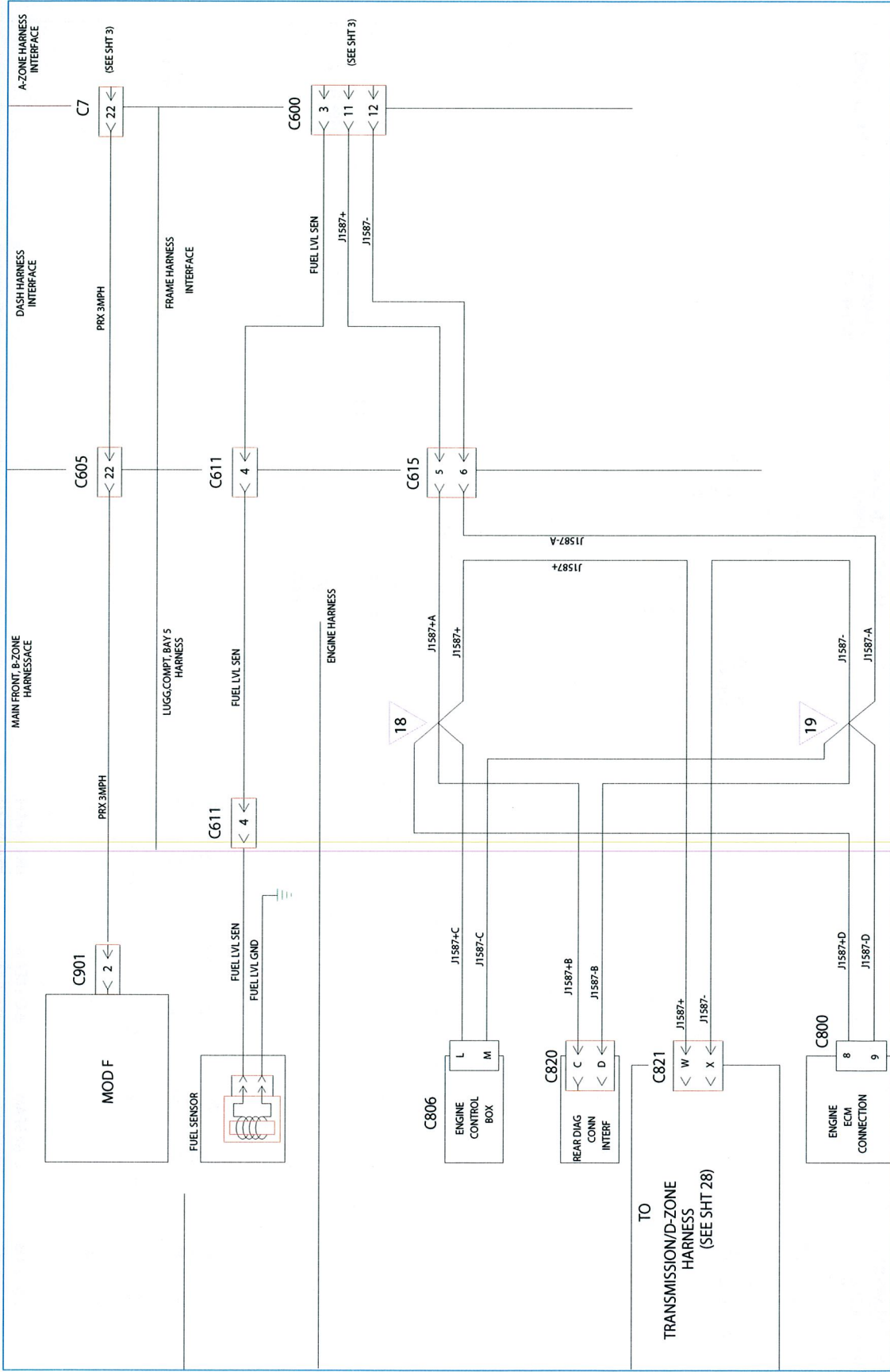
NOTE: REFER TO DRAWING 0069035 TO SEE THE INTERNAL WIRING DIAGRAM OF SMART/WHEEL ECU.

Wiring Schematic 0075711 - Headlight Beam Hi / Lo

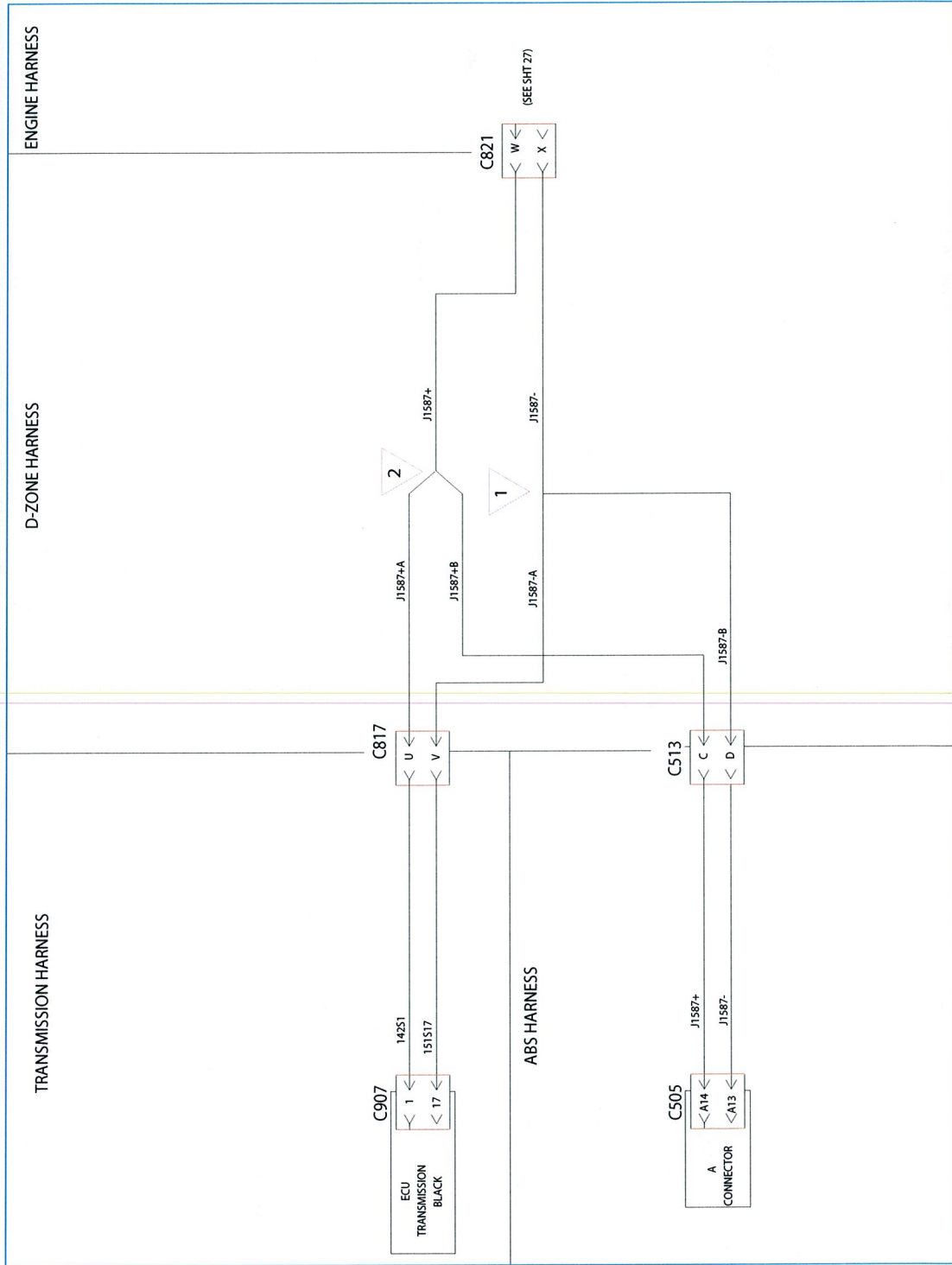


B-1	B1 MODULE
FUNC	OUTPUTS
LED	01 02 02
C400	5 6 13 14

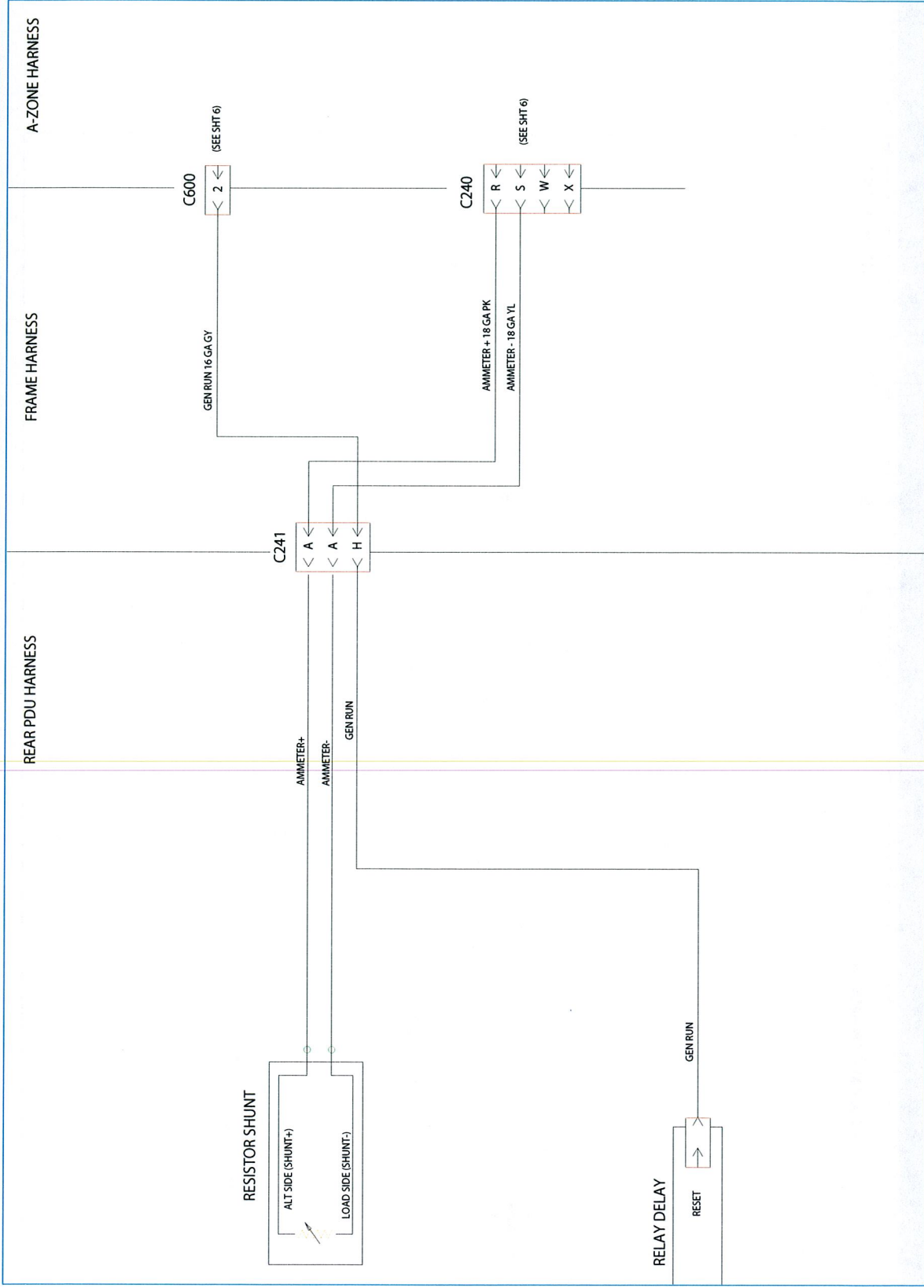
Wiring Schematic 0075714 - Fuel Level Sensor With J1587



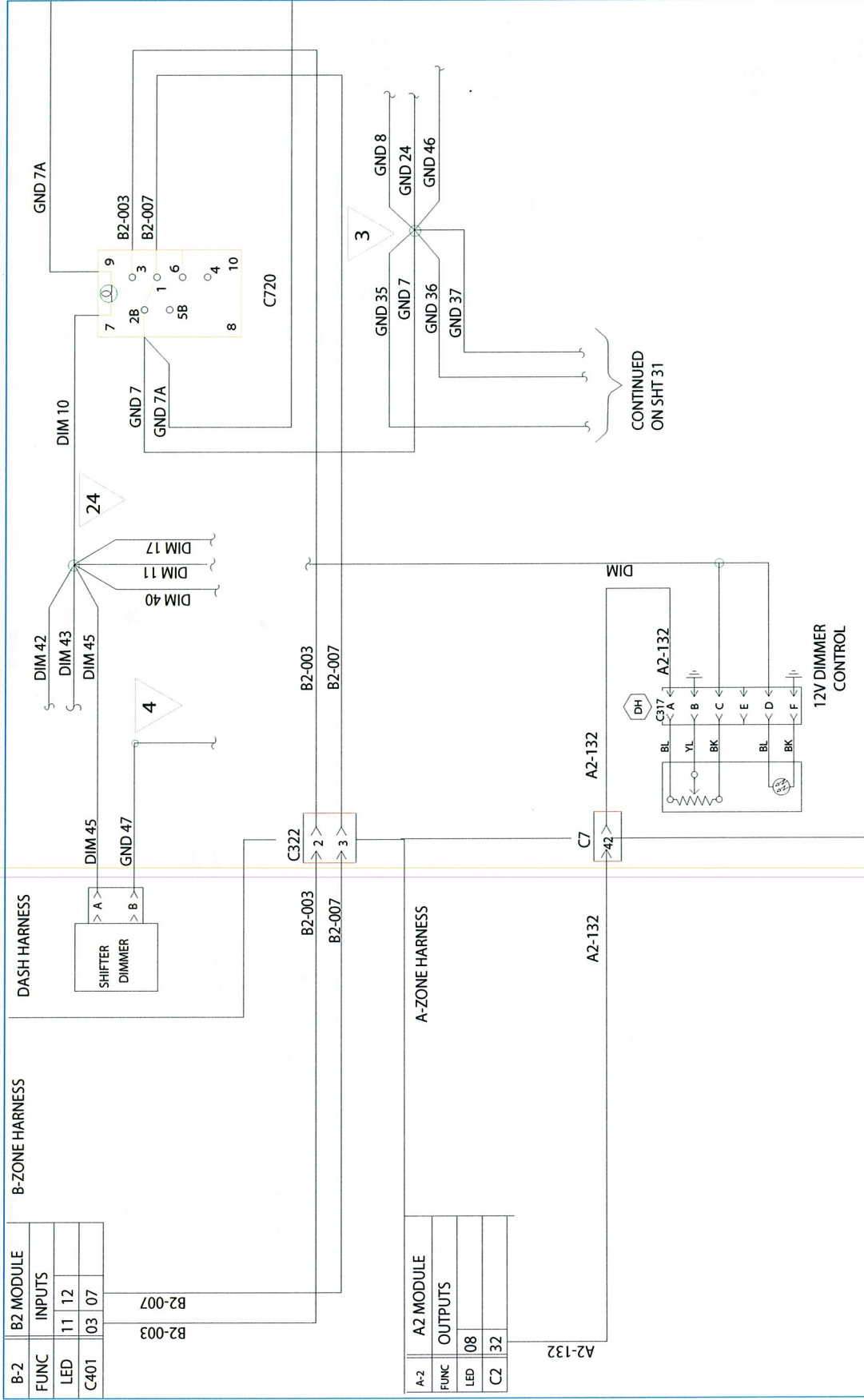
Wiring Schematic 0075715 - J1587 to ABS / Transmission ECU



Wiring Schematic 0075718 - PRX 3 Module w / Resistor Shunt



Wiring Schematic 0075744 - Adjustable Pedal Switch

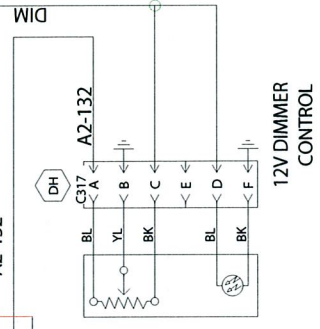


B-2		B2 MODULE	
FUNC	LED	INPUTS	
	11	12	
C401	03	07	

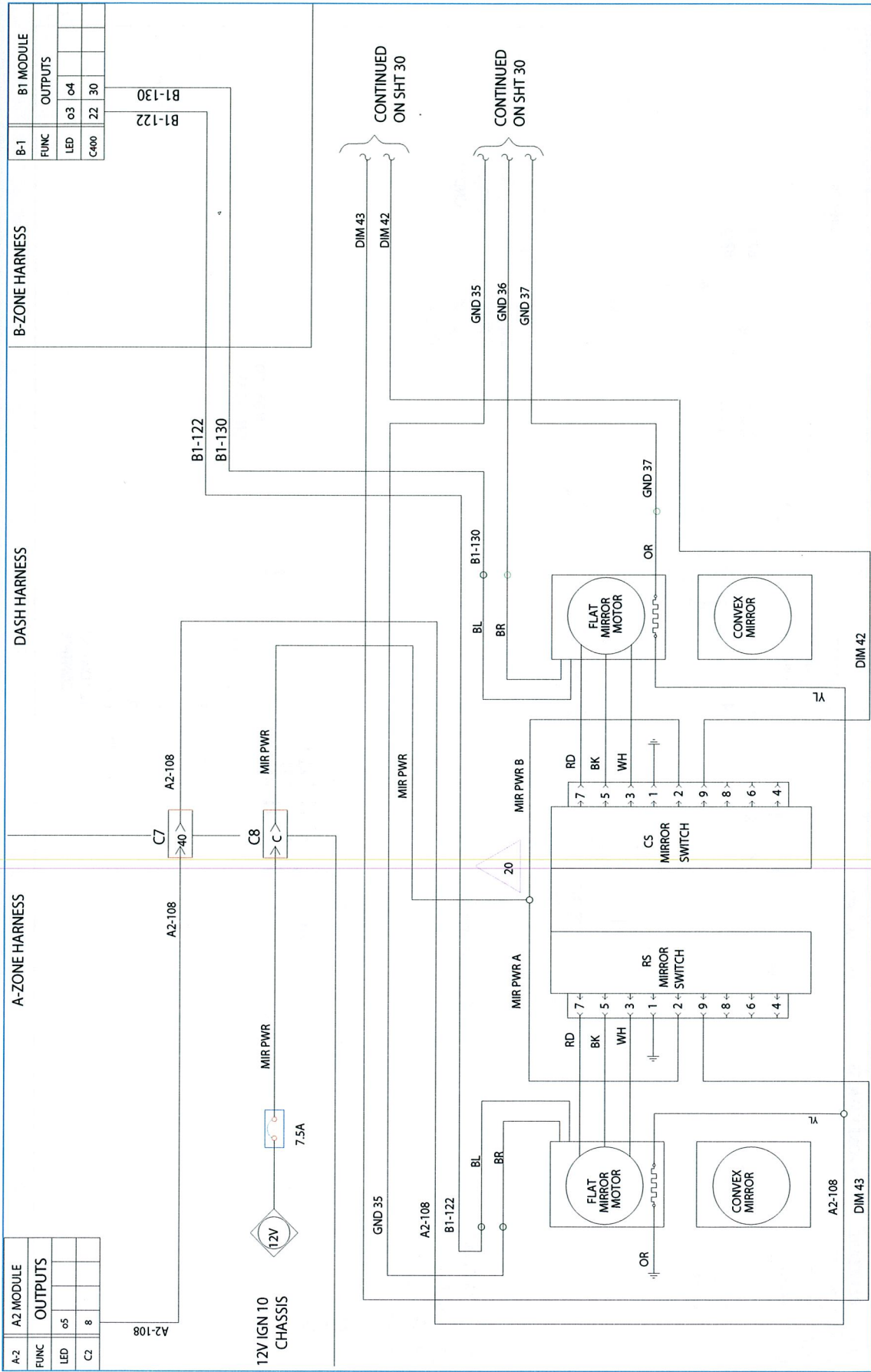
B2-003
B2-007

A-2		A2 MODULE	
FUNC	LED	OUTPUTS	
	08		
C2	32		

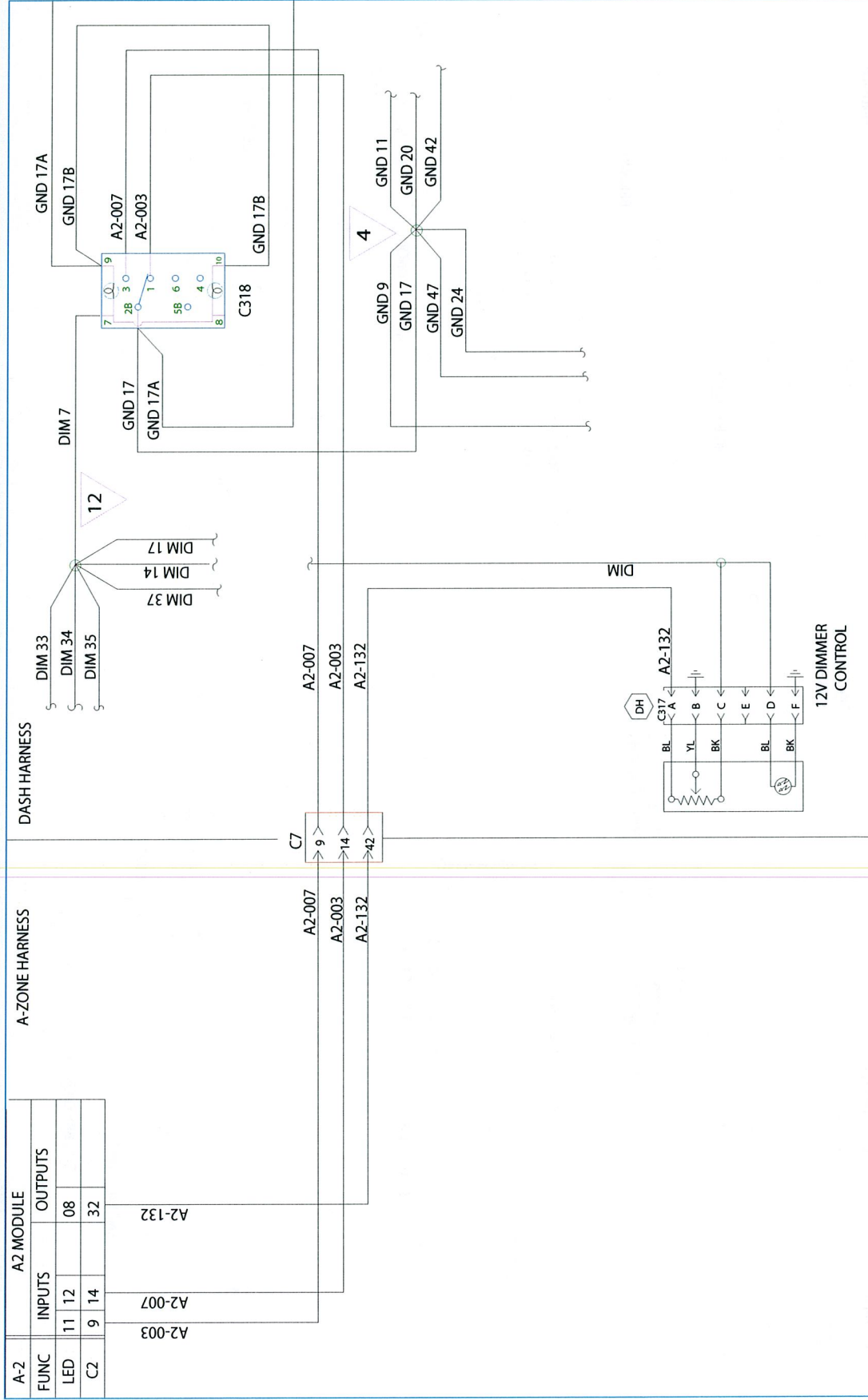
A2-132



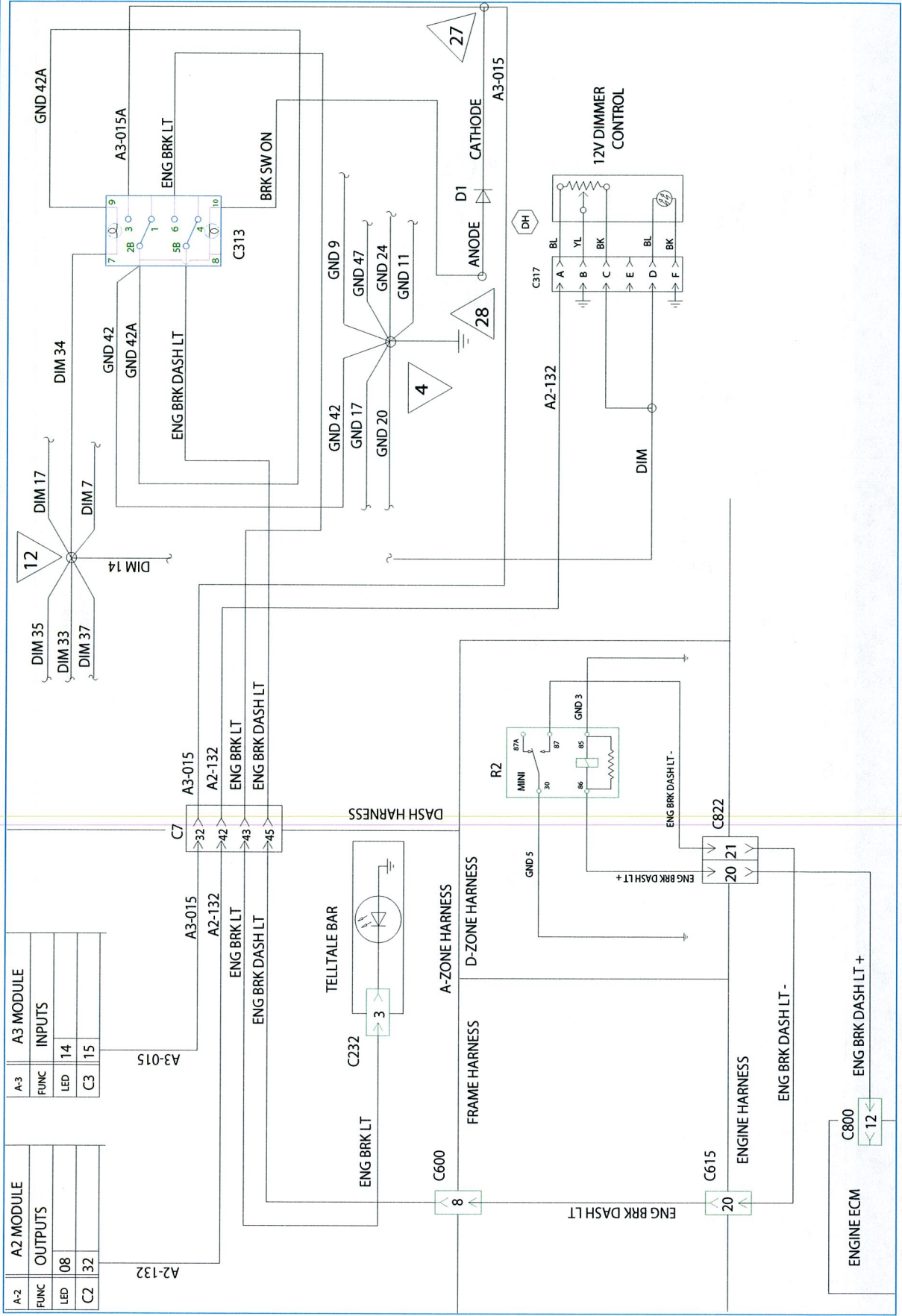
Wiring Schematic 0075745 - Mirror Power



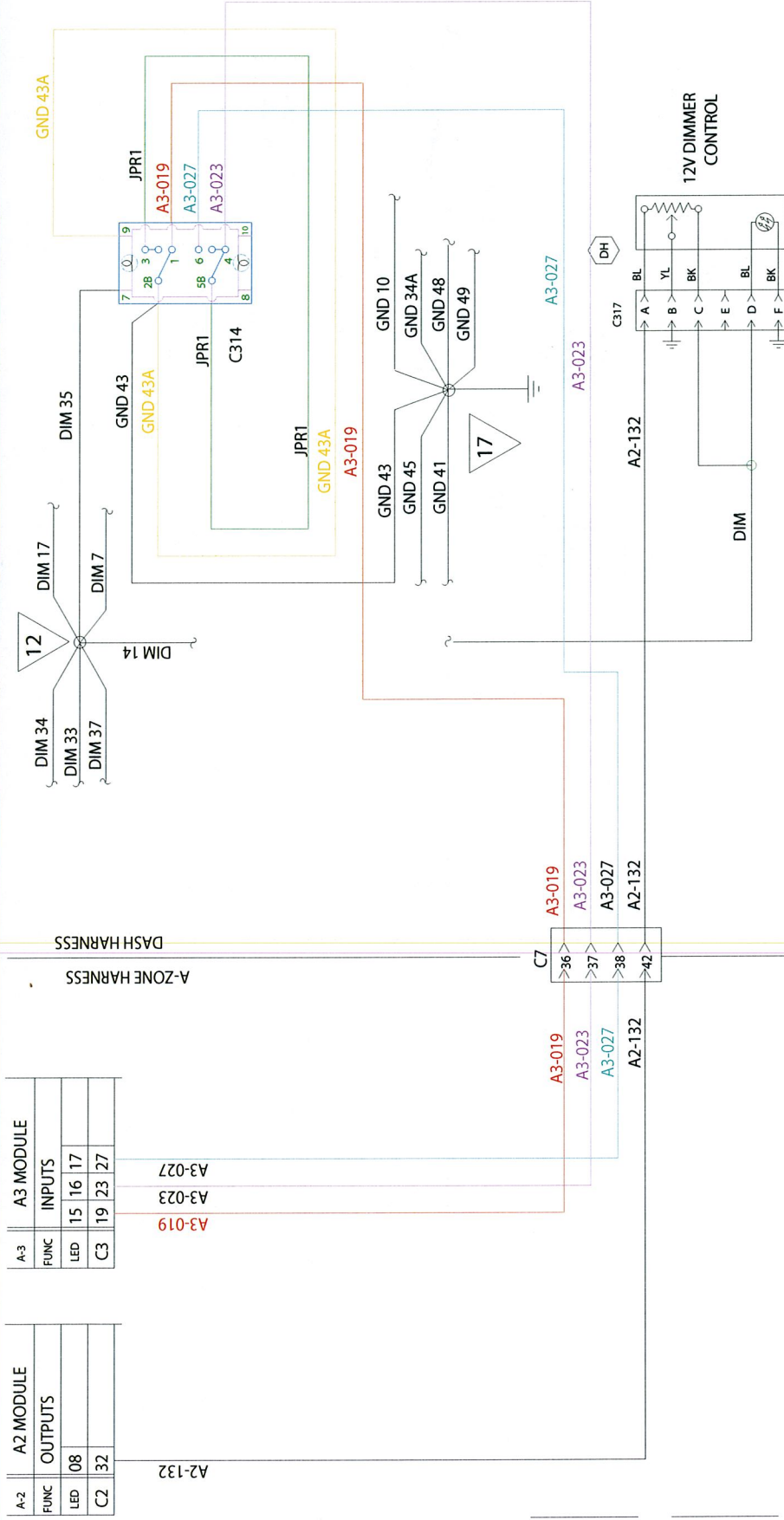
Wiring Schematic 0075752 - Horn Select Switch



Wiring Schematic 0075765 - Engine Brake Switch



Wiring Schematic 0075784 - Engine Brake Hi / Lo Switch



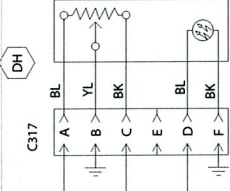
A-2		A3 MODULE	
FUNC	OUTPUTS	FUNC	INPUTS
LED	08	LED	15 16 17
C2	32	C3	19 23 27

A2-132
A3-019
A3-023
A3-027

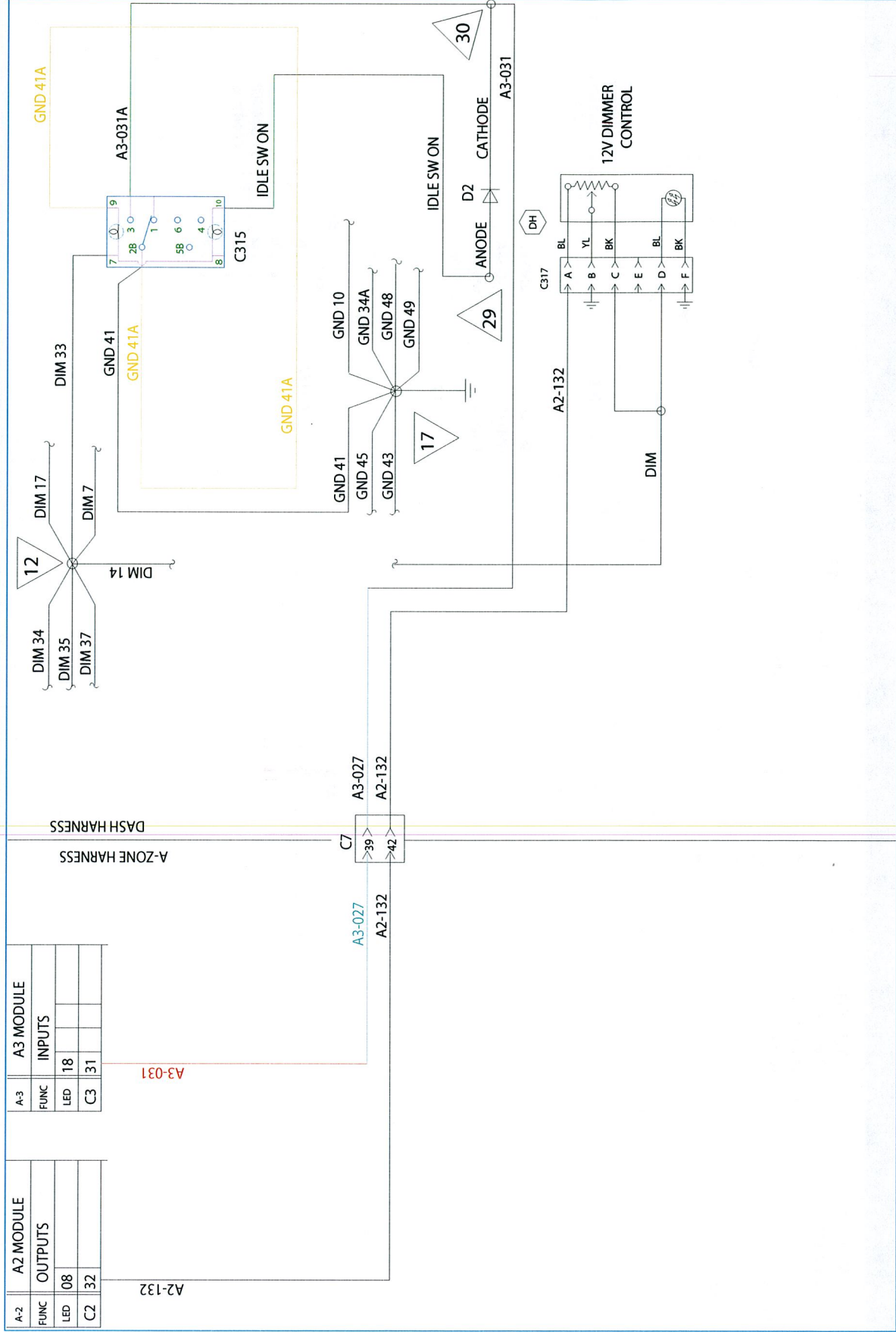
A-ZONE HARNESS
DASH HARNESS

C7
>36
>37
>38
>42

A3-019
A3-023
A3-027
A2-132

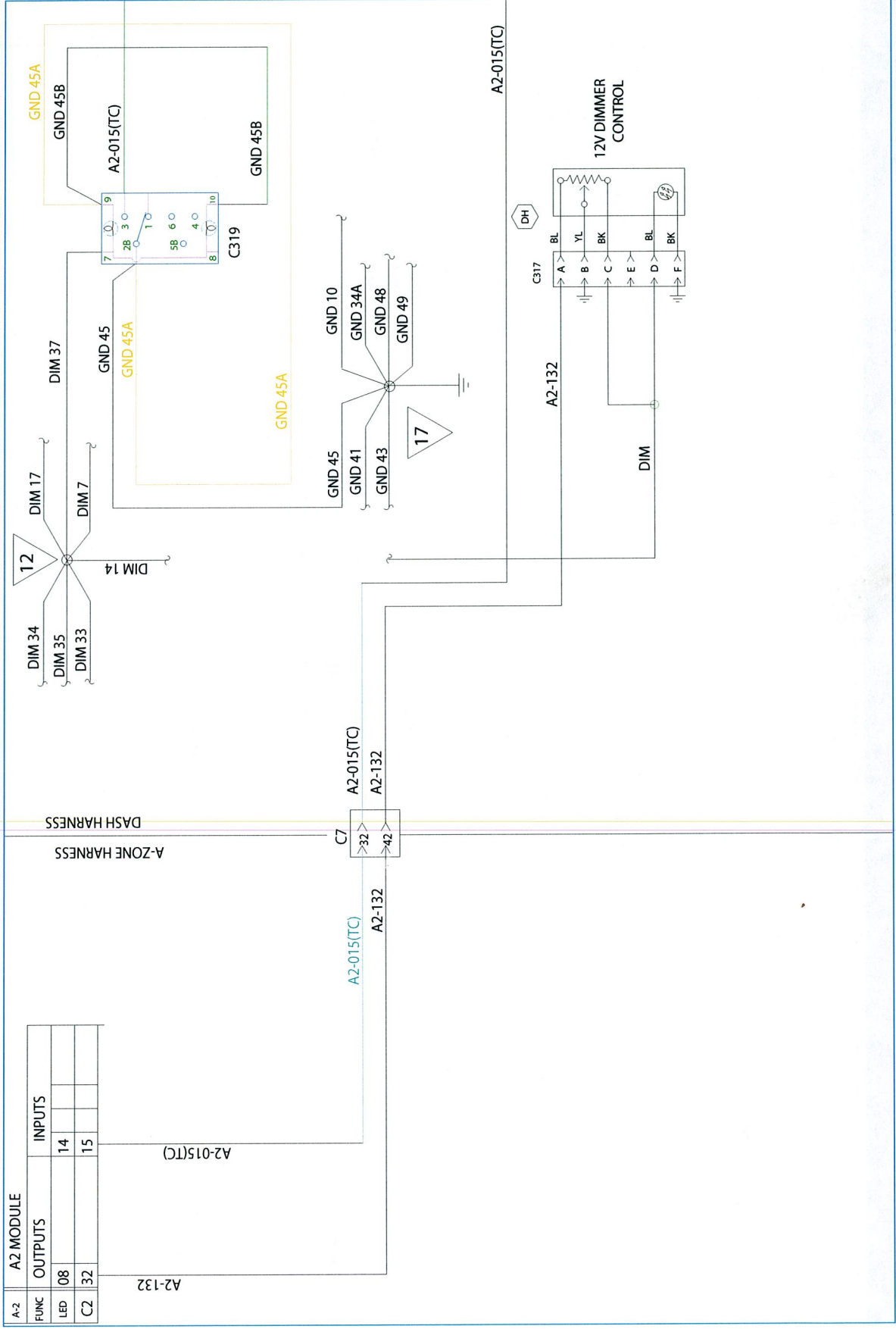


Wiring Schematic 0075789 - High Idle Switch

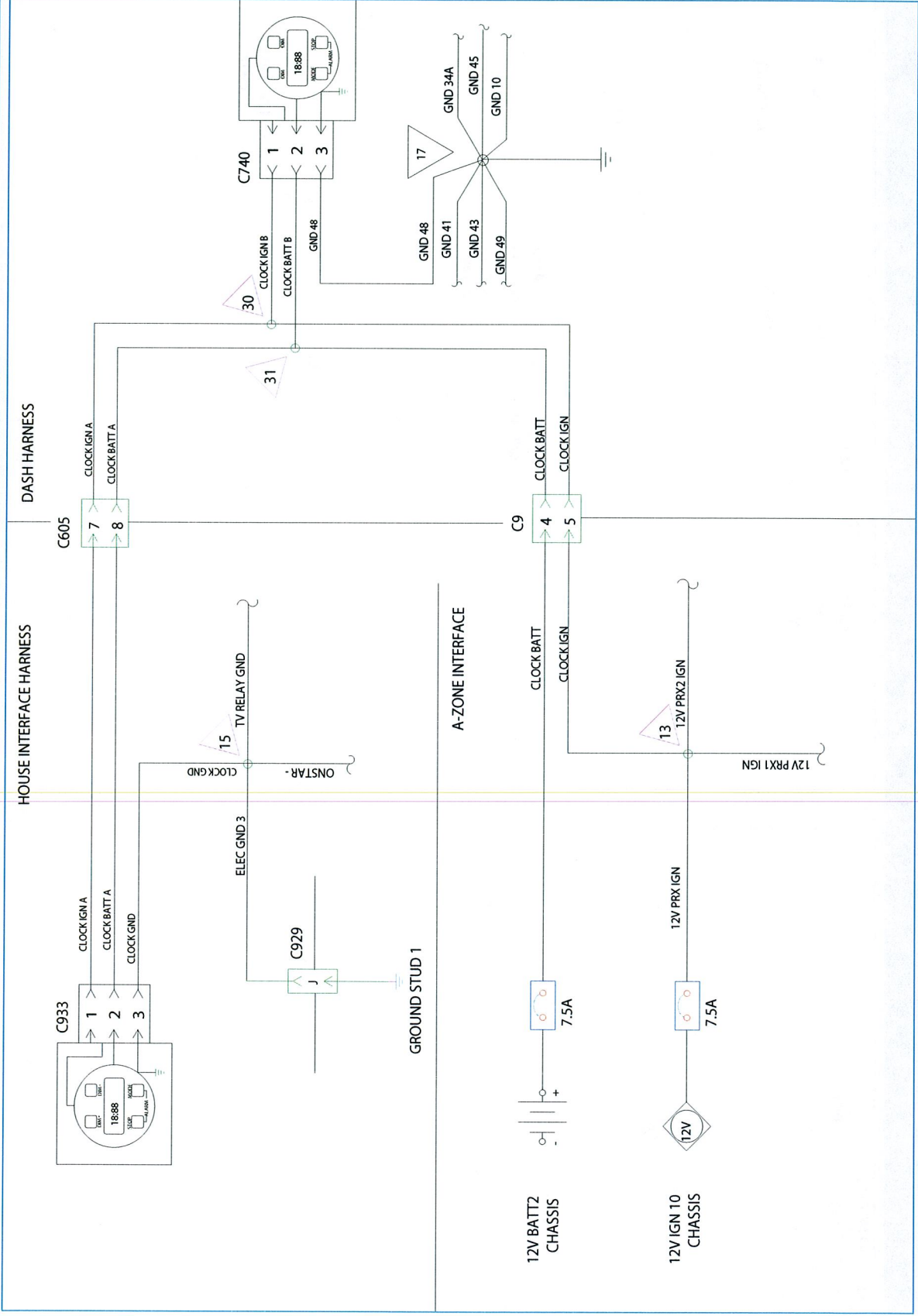


A2 MODULE		A3 MODULE	
FUNC	OUTPUTS	FUNC	INPUTS
LED	08	LED	18
C2	32	C3	31

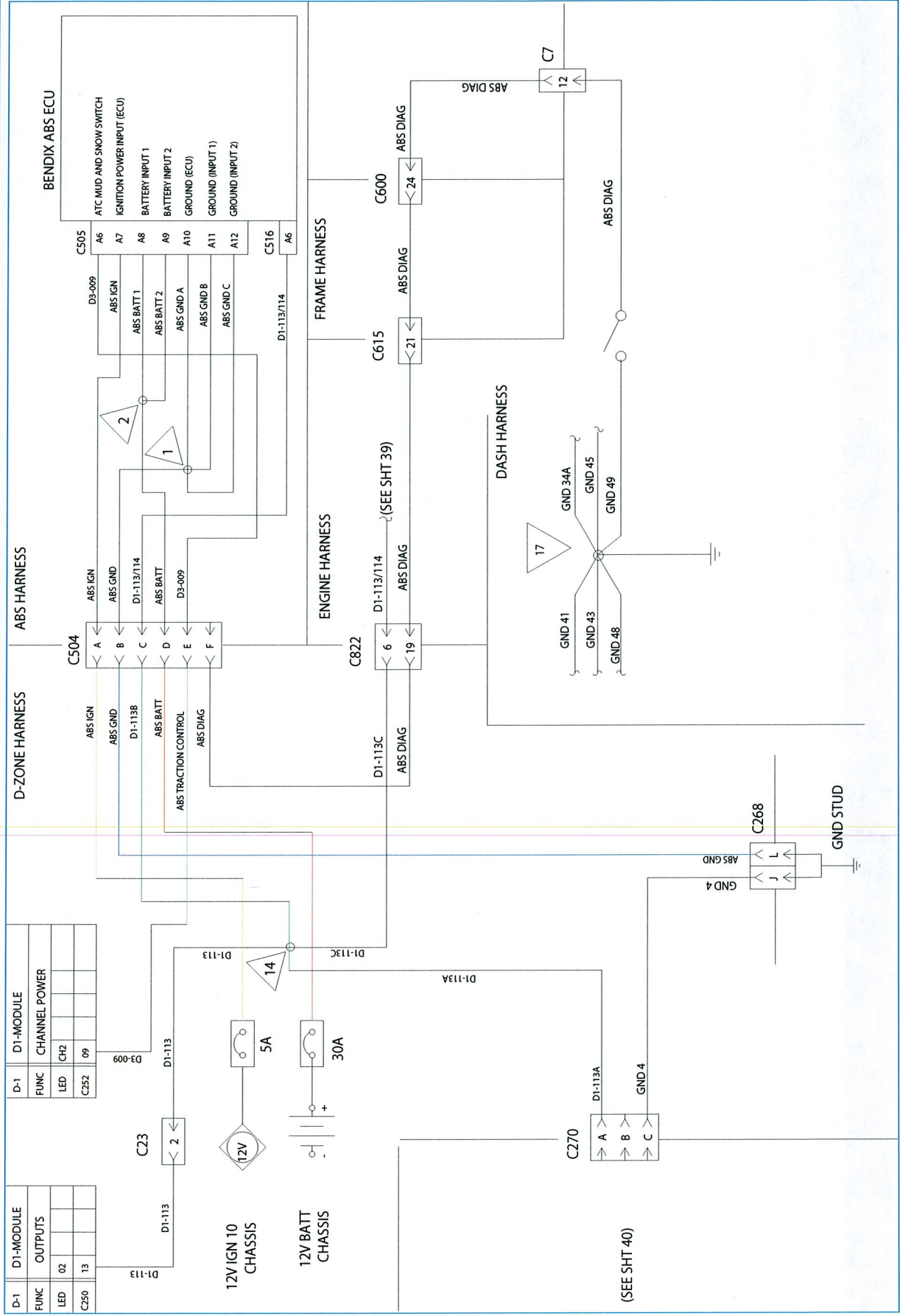
Wiring Schematic 0075792 - ABS Traction Control Switch



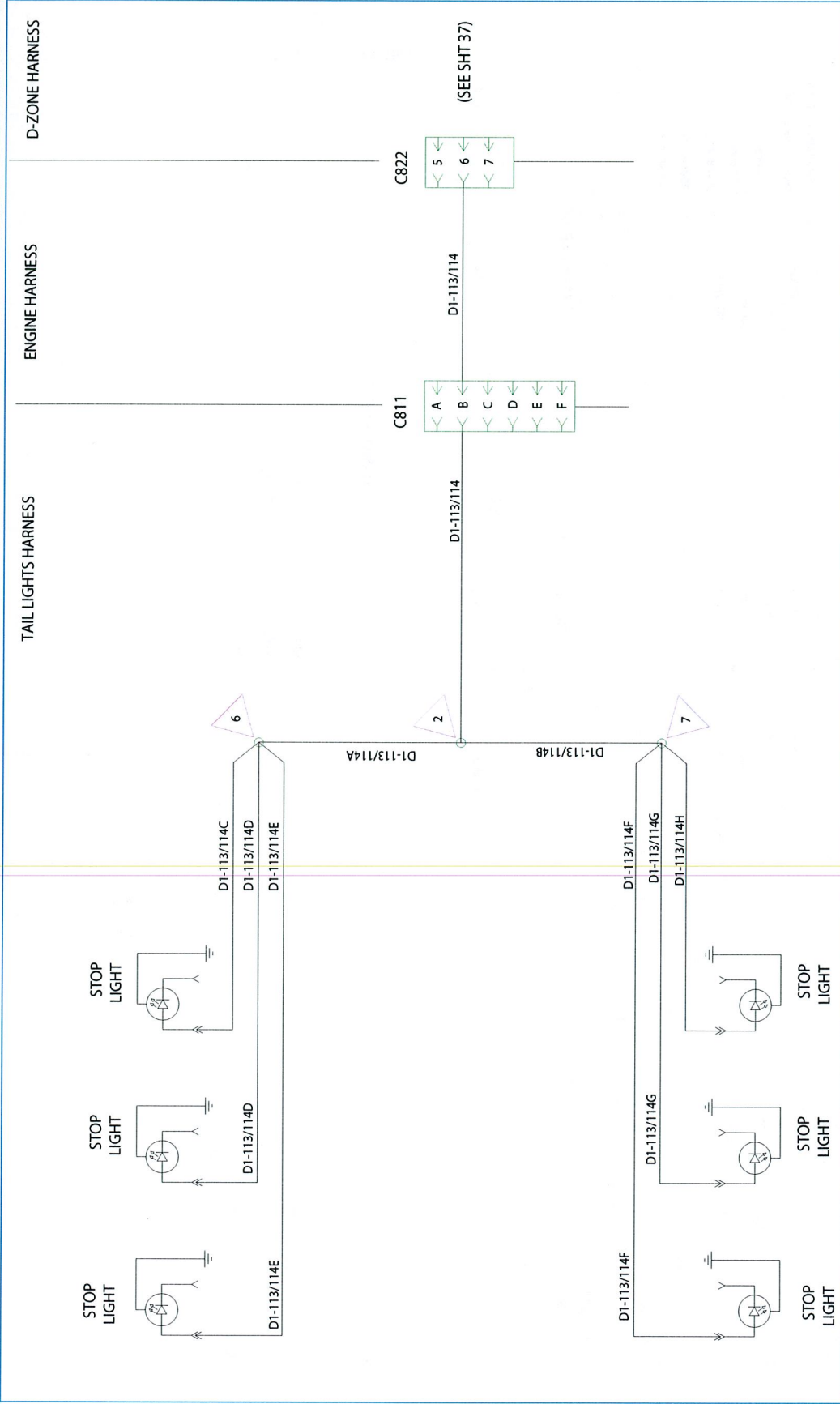
Wiring Schematic 0075793 - Clock Battery Ignition Power



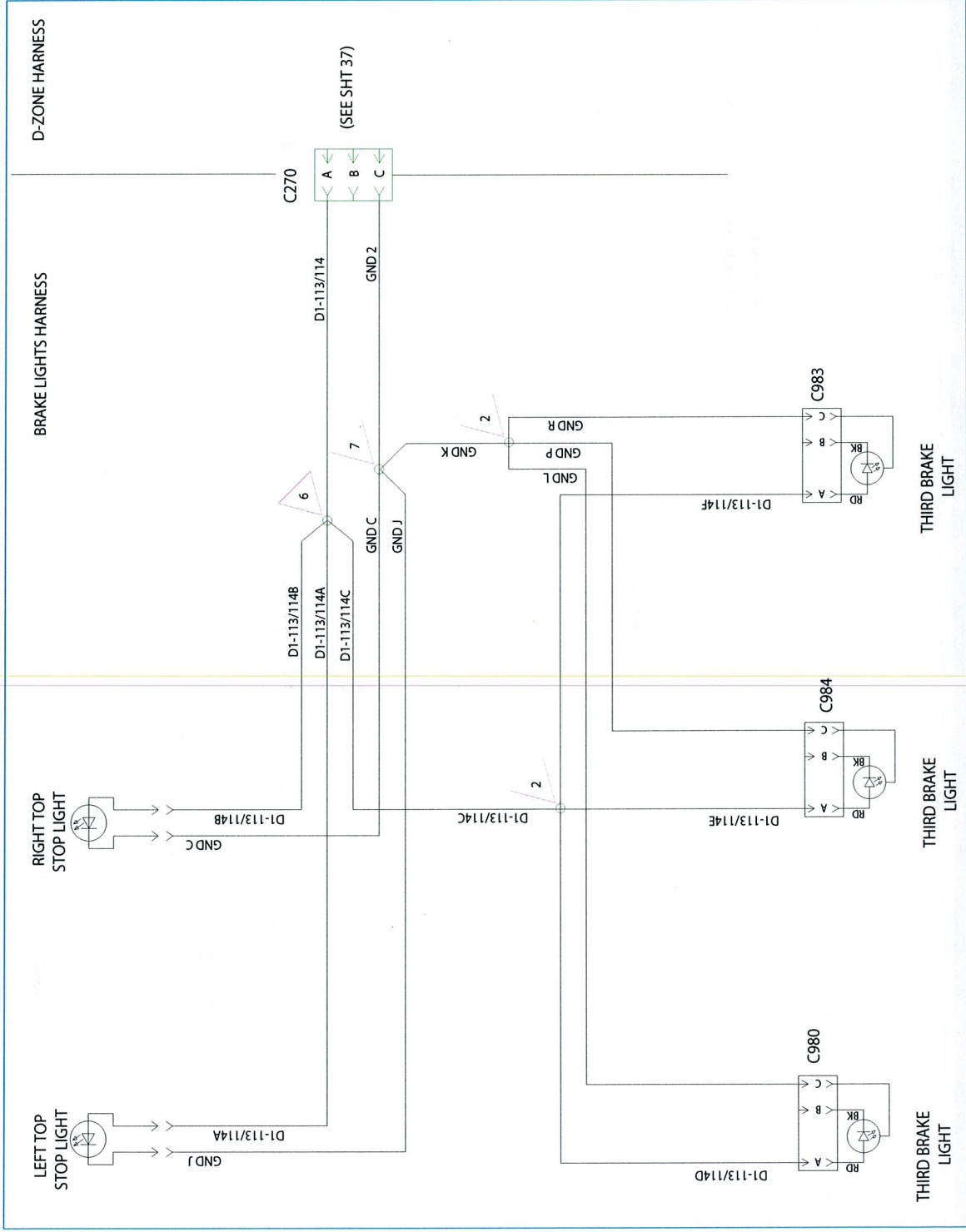
Wiring Schematic 0075795 - ABS Power



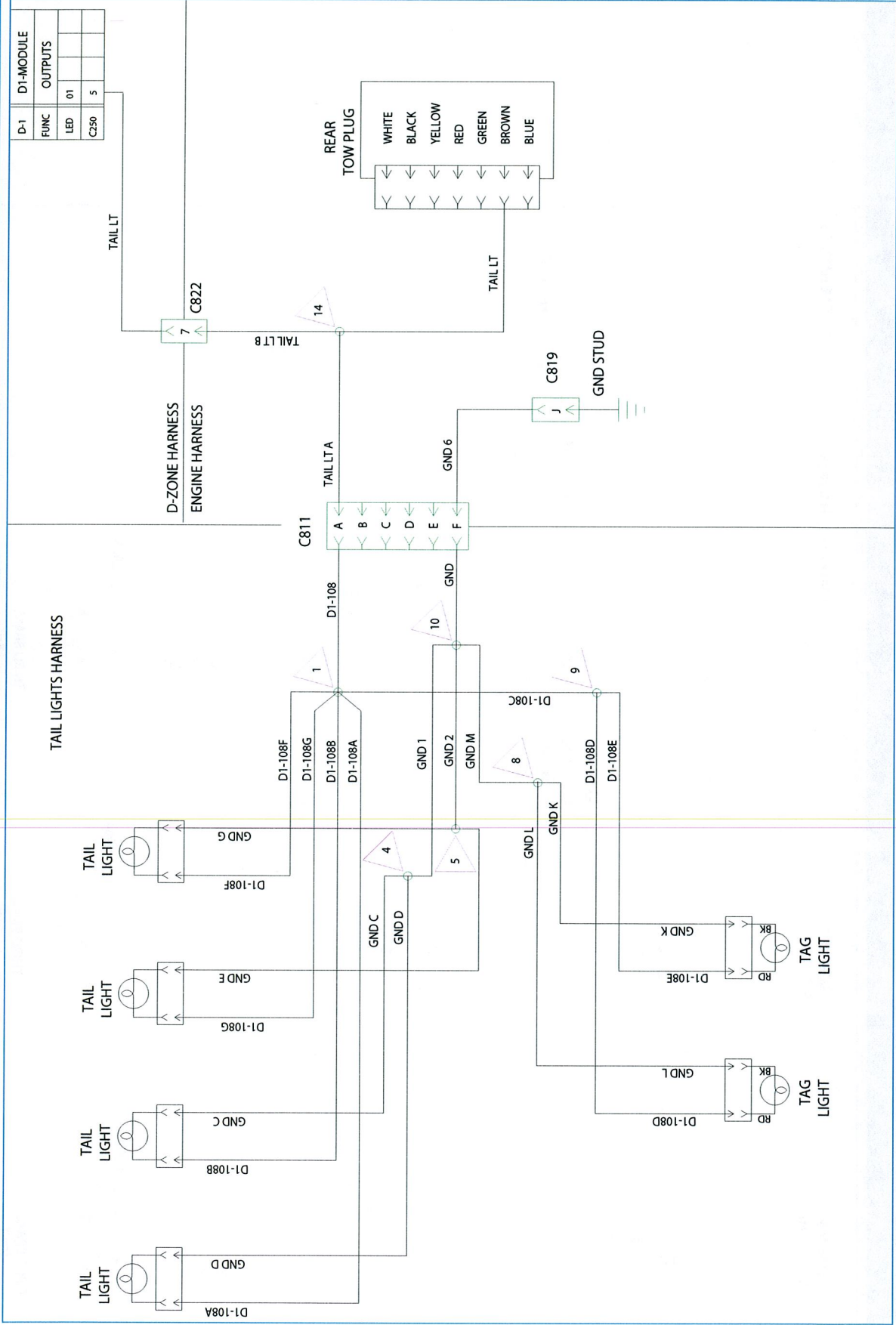
Wiring Schematic 0075796 - Stop Lights



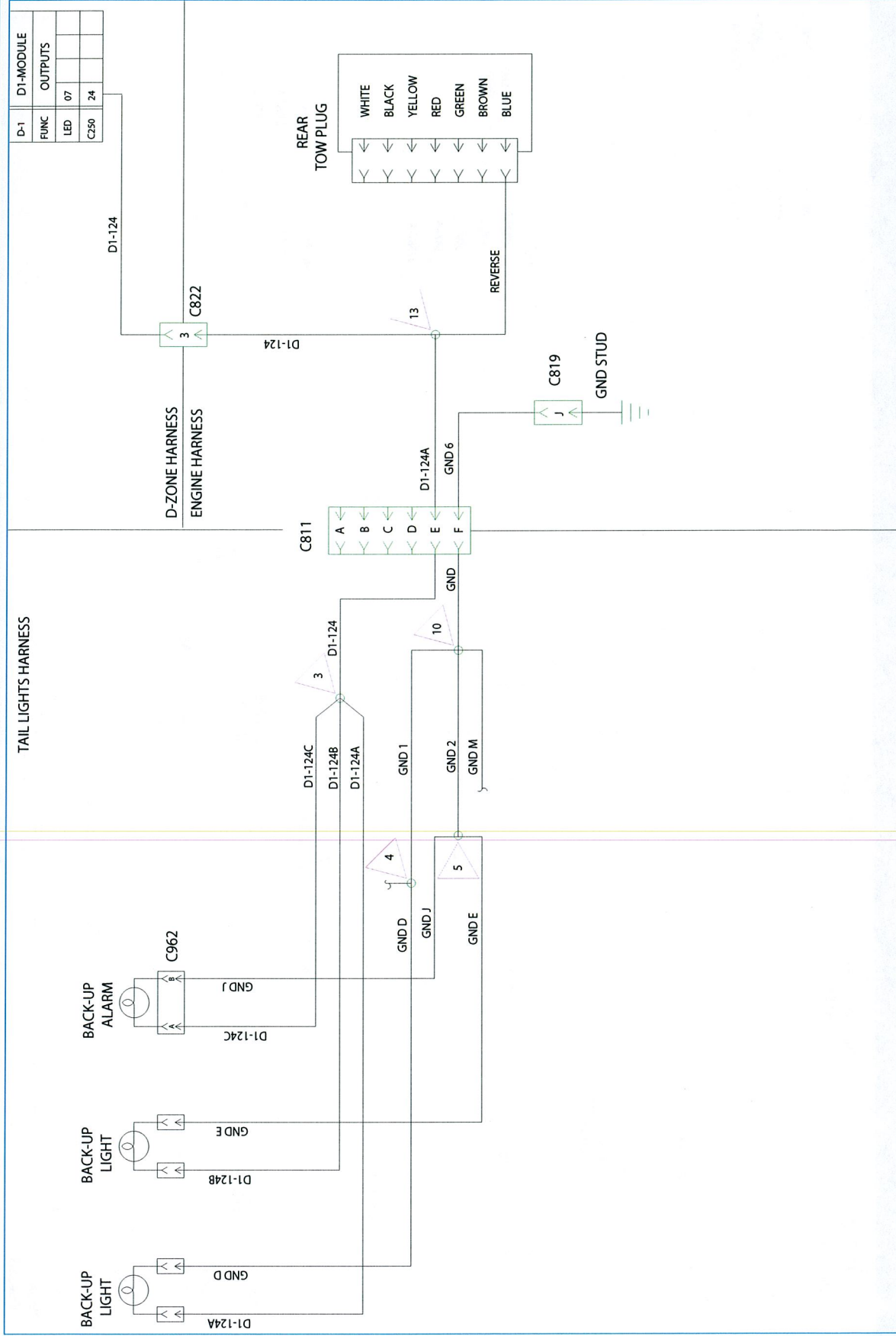
Wiring Schematic 0075797 - Rear Brake Lights



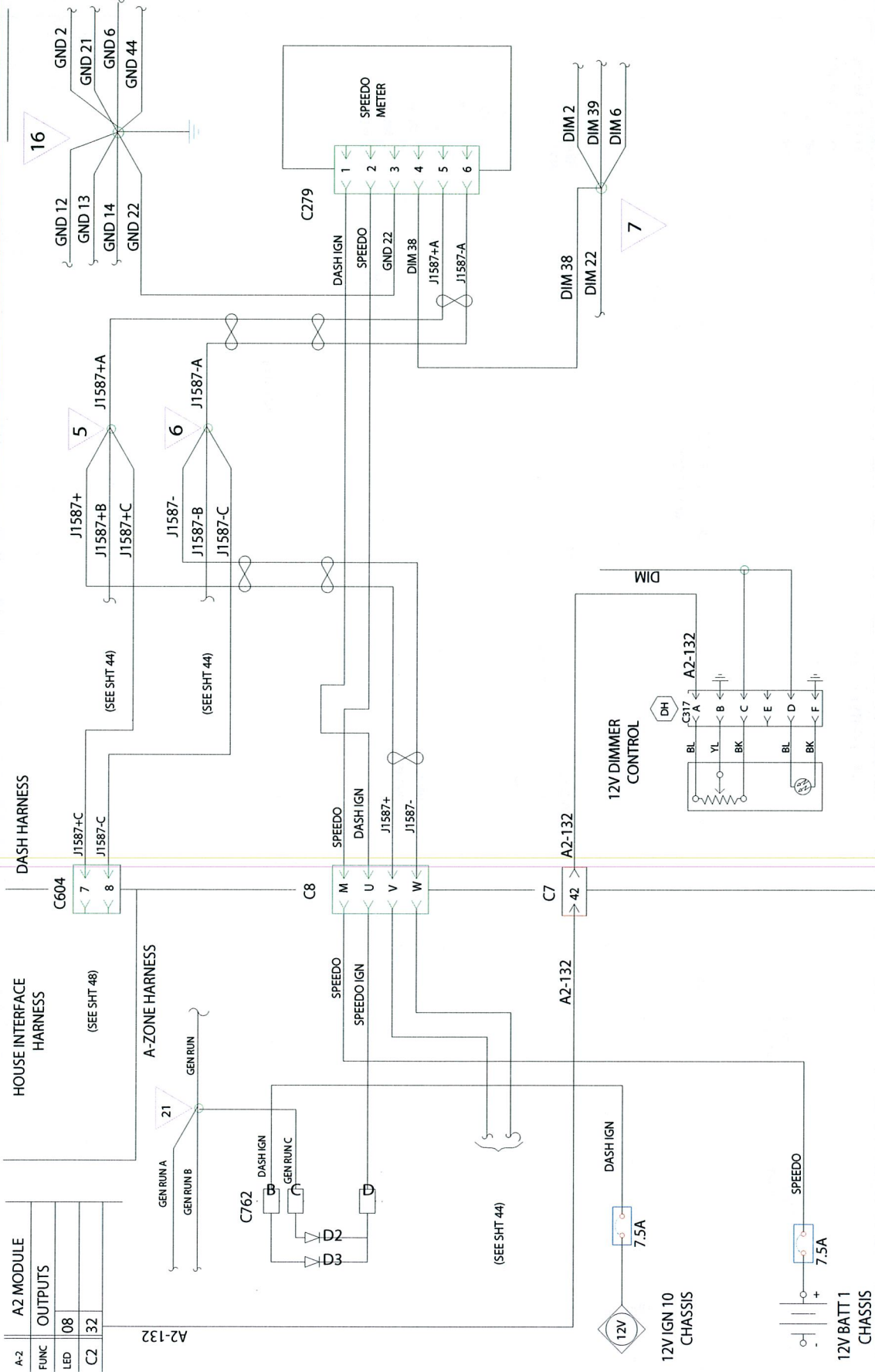
Wiring Schematic 0075800 - Tag, Tail Lights



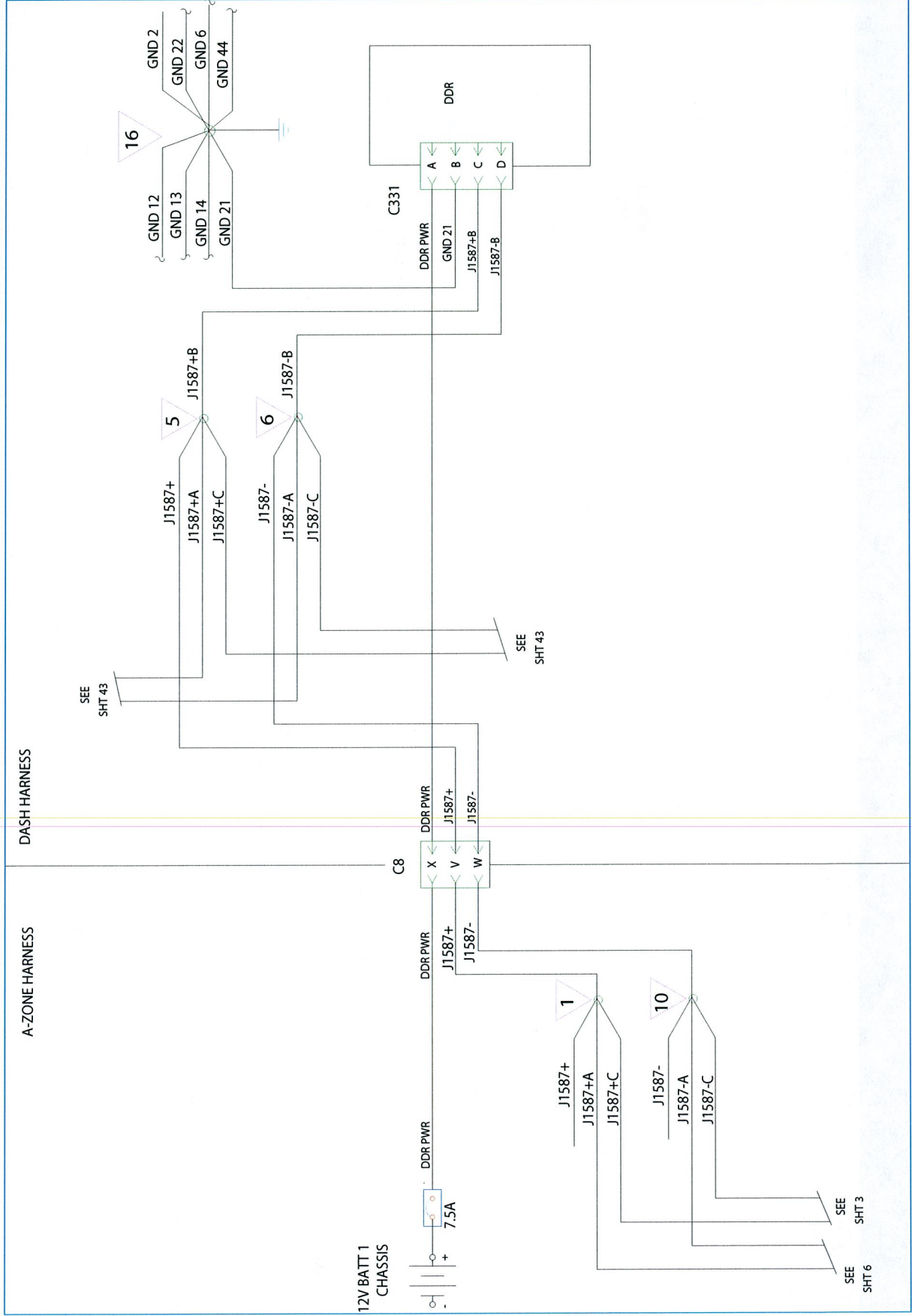
Wiring Schematic 0075802 - Back Up Lights



Wiring Schematic 0075820 - Speedometer

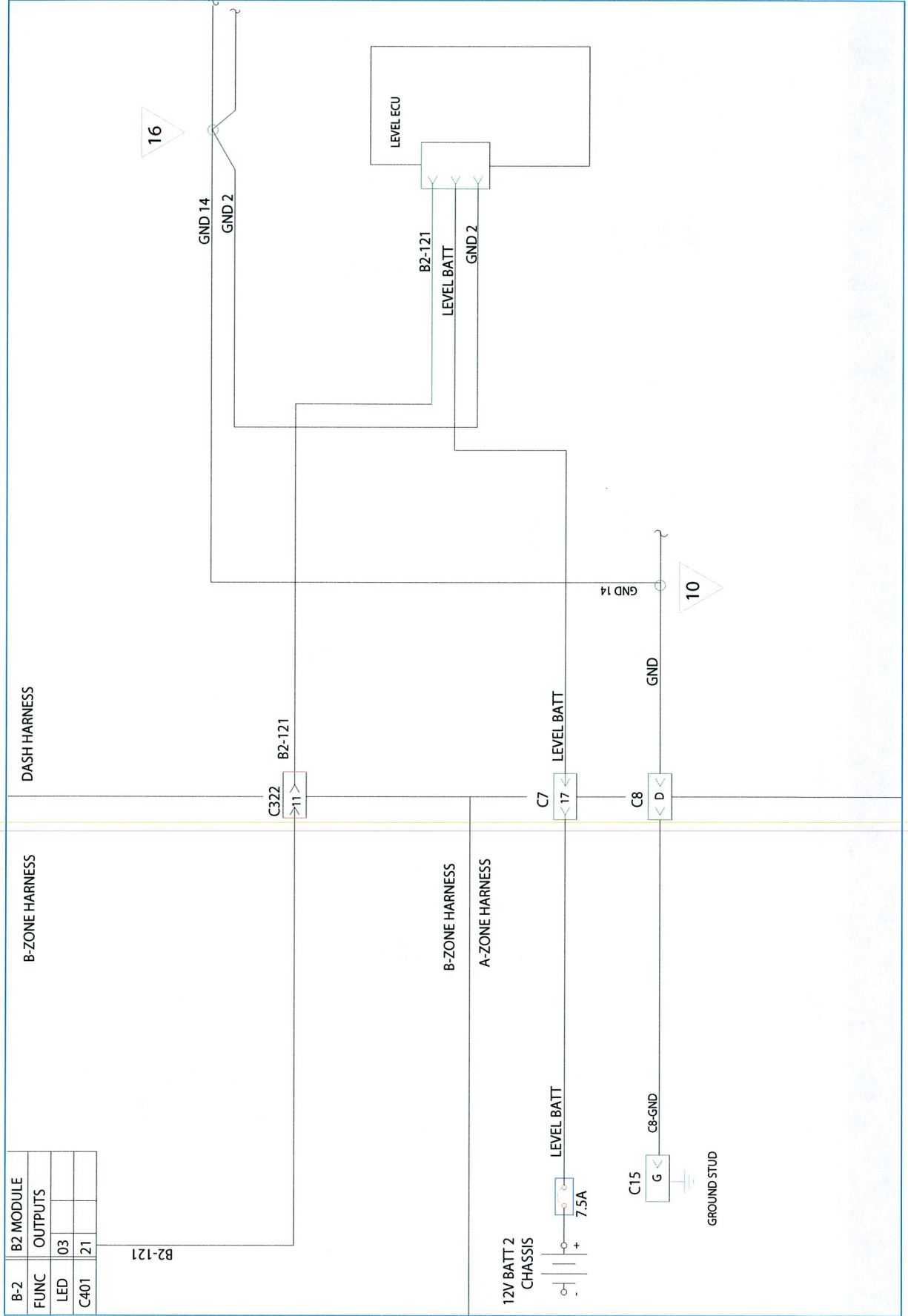


Wiring Schematic 0075829 - Driver Door, Power

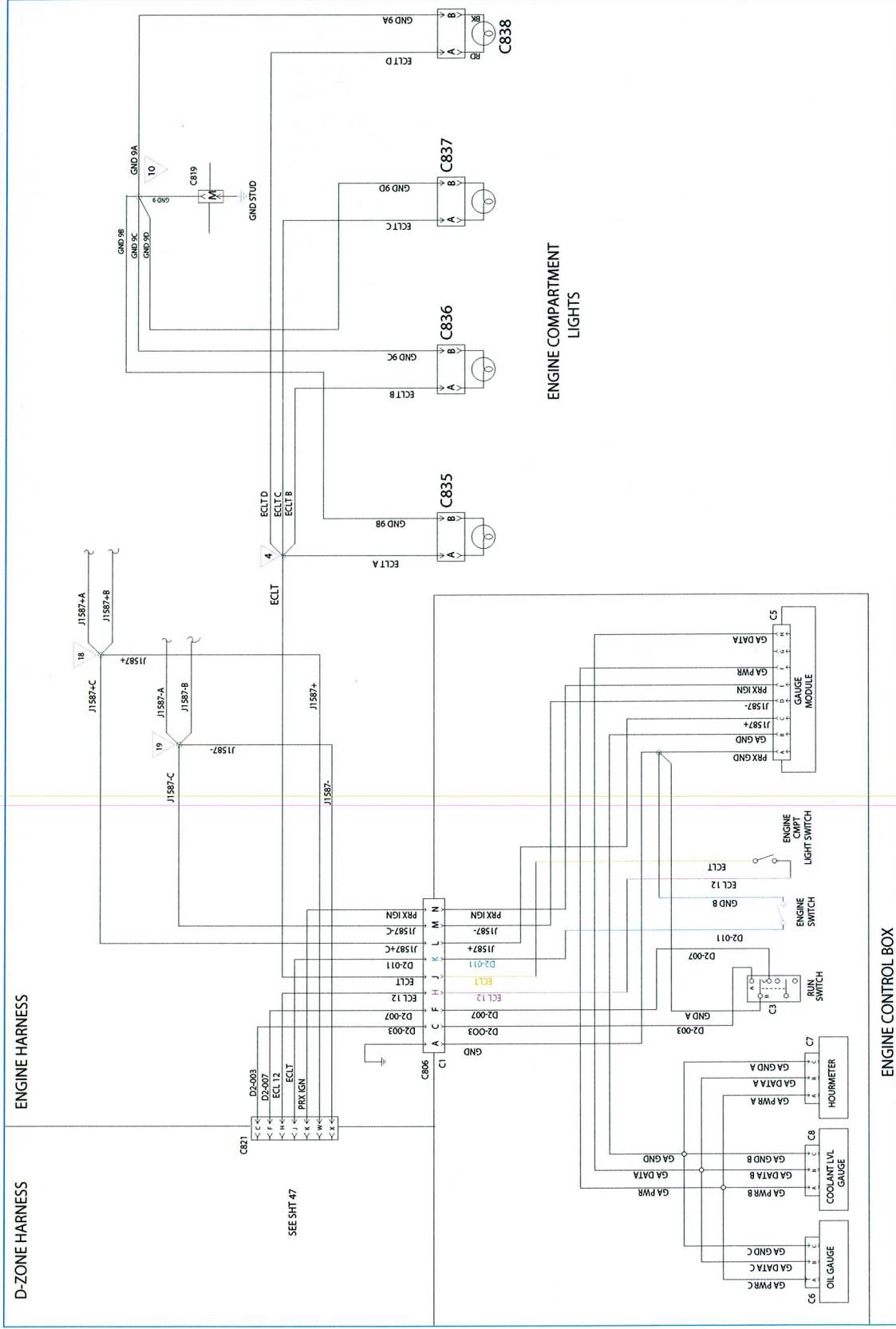


Wiring Schematic 0075835 - Level ECU Power

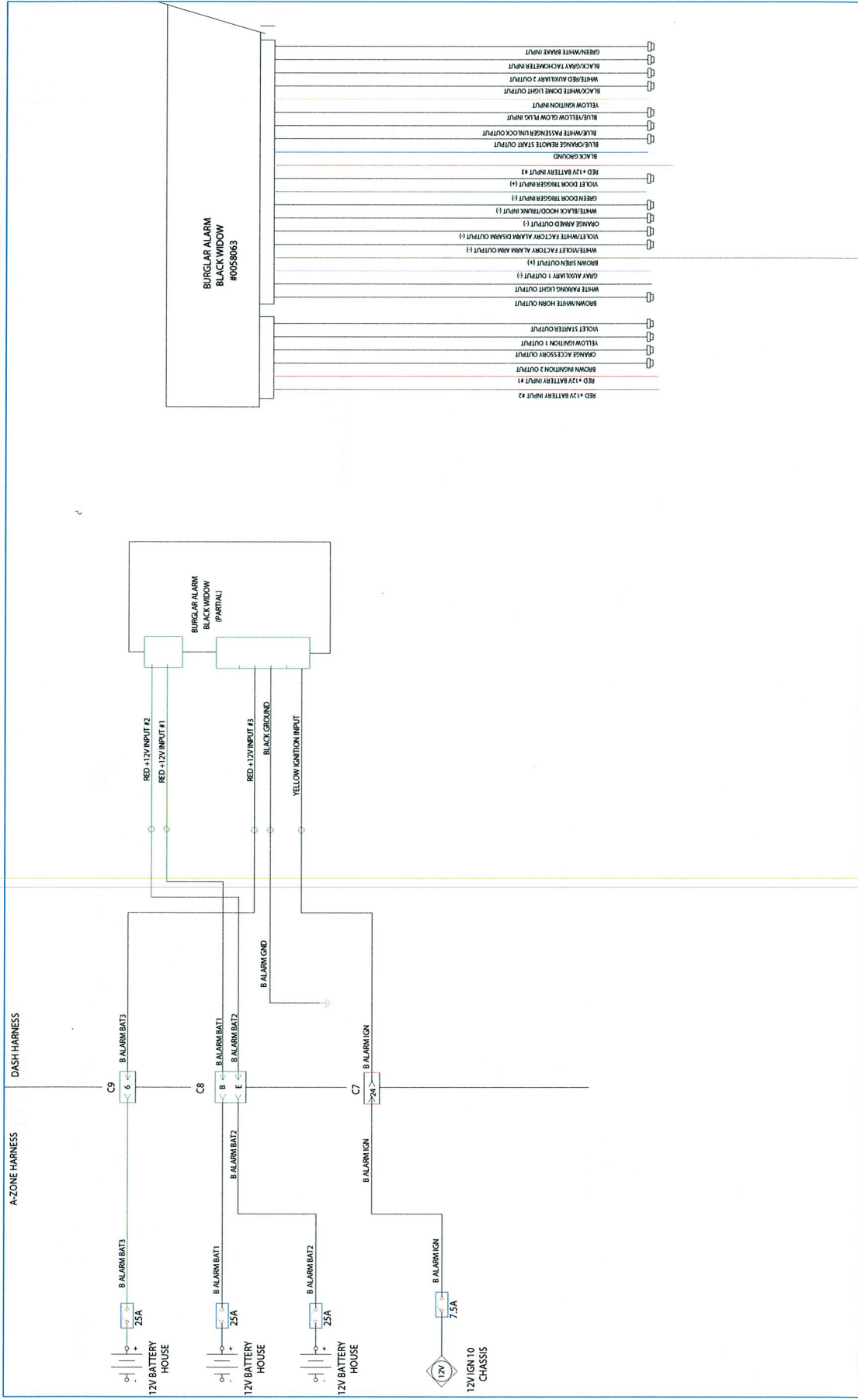
B-2	B2 MODULE
FUNC	OUTPUTS
LED	03
C401	21



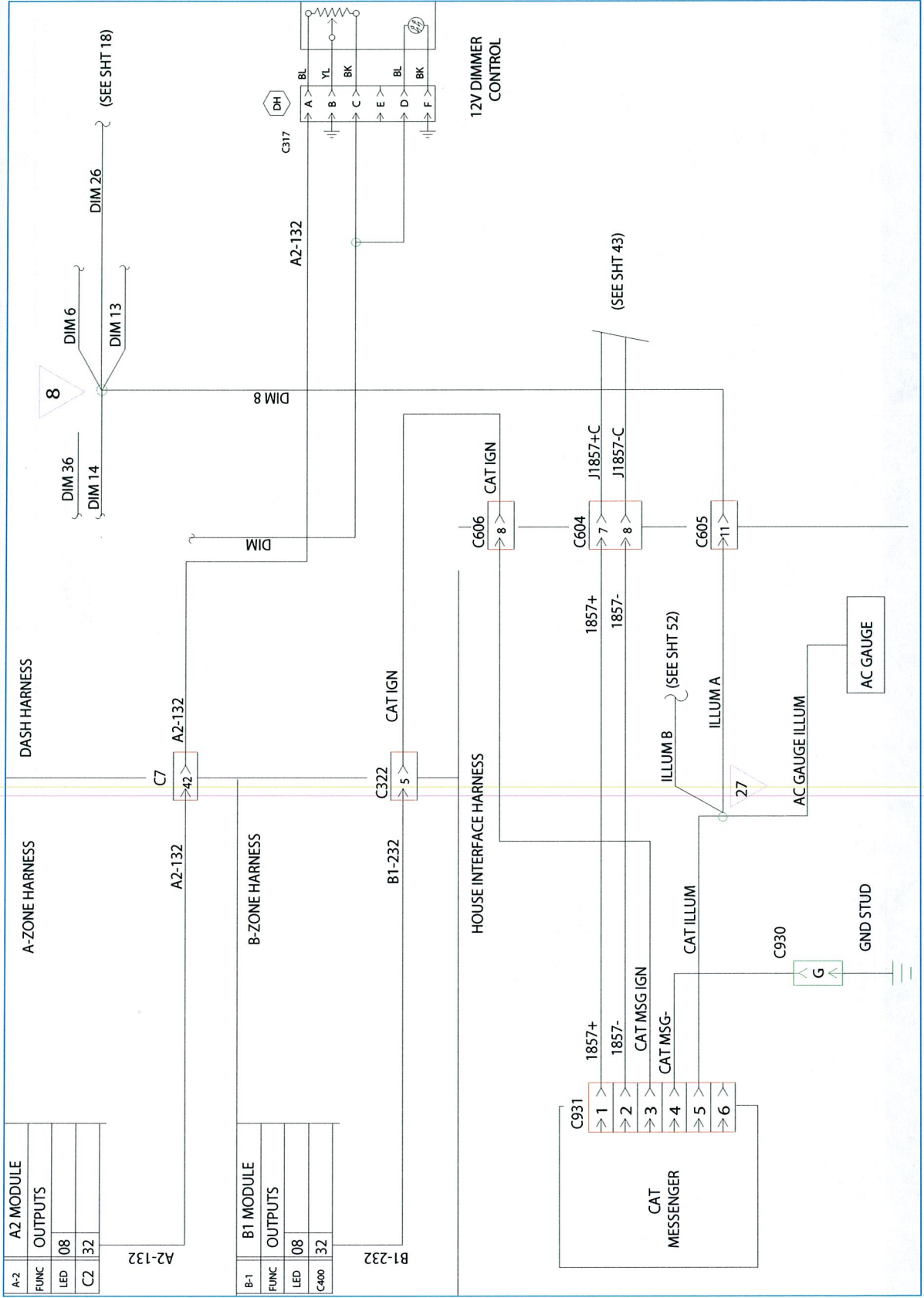
Wiring Schematic 0075852 - Engine Control Box



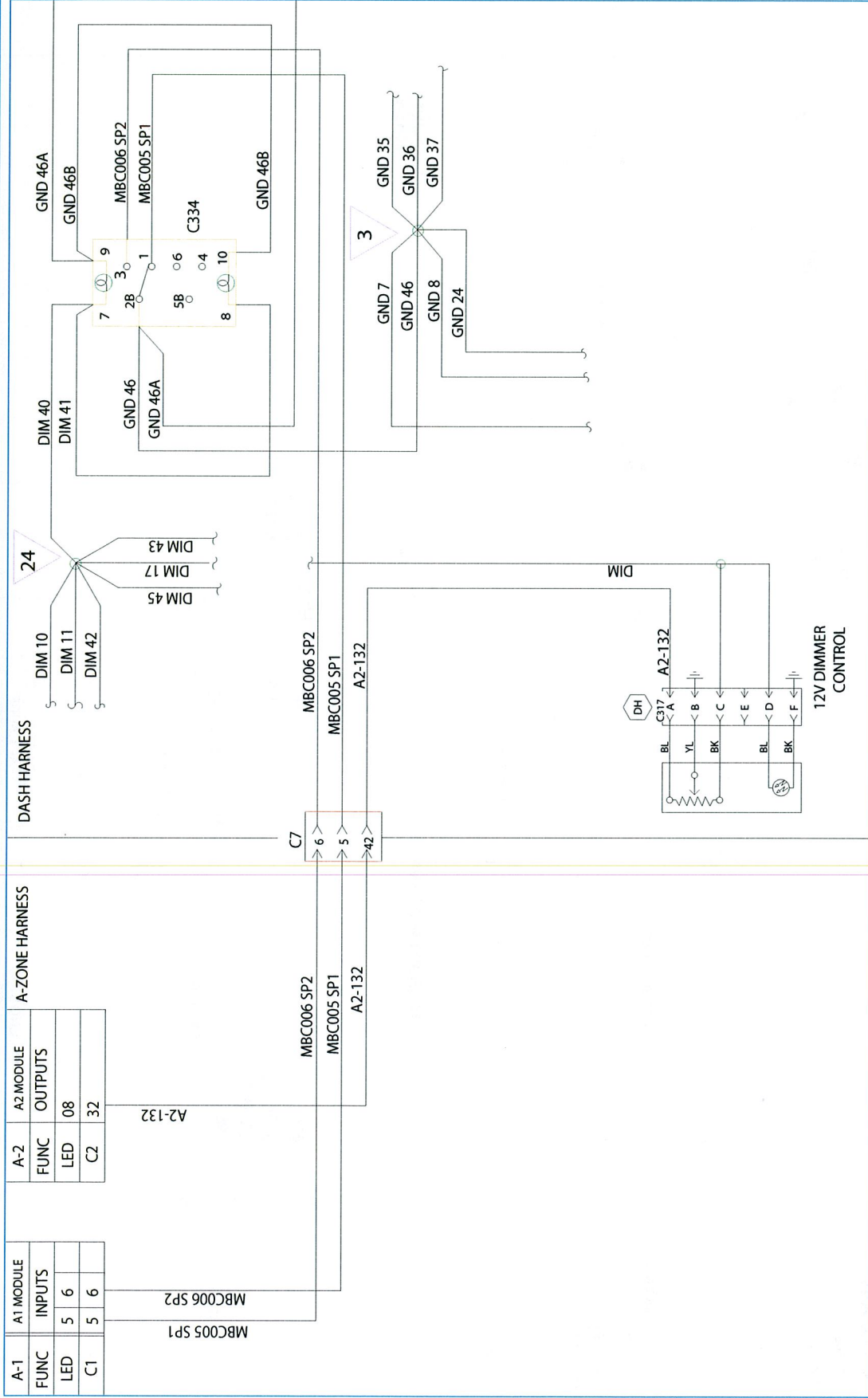
Wiring Schematic 0075949 - Burglar Alarm Ignition / Battery Power



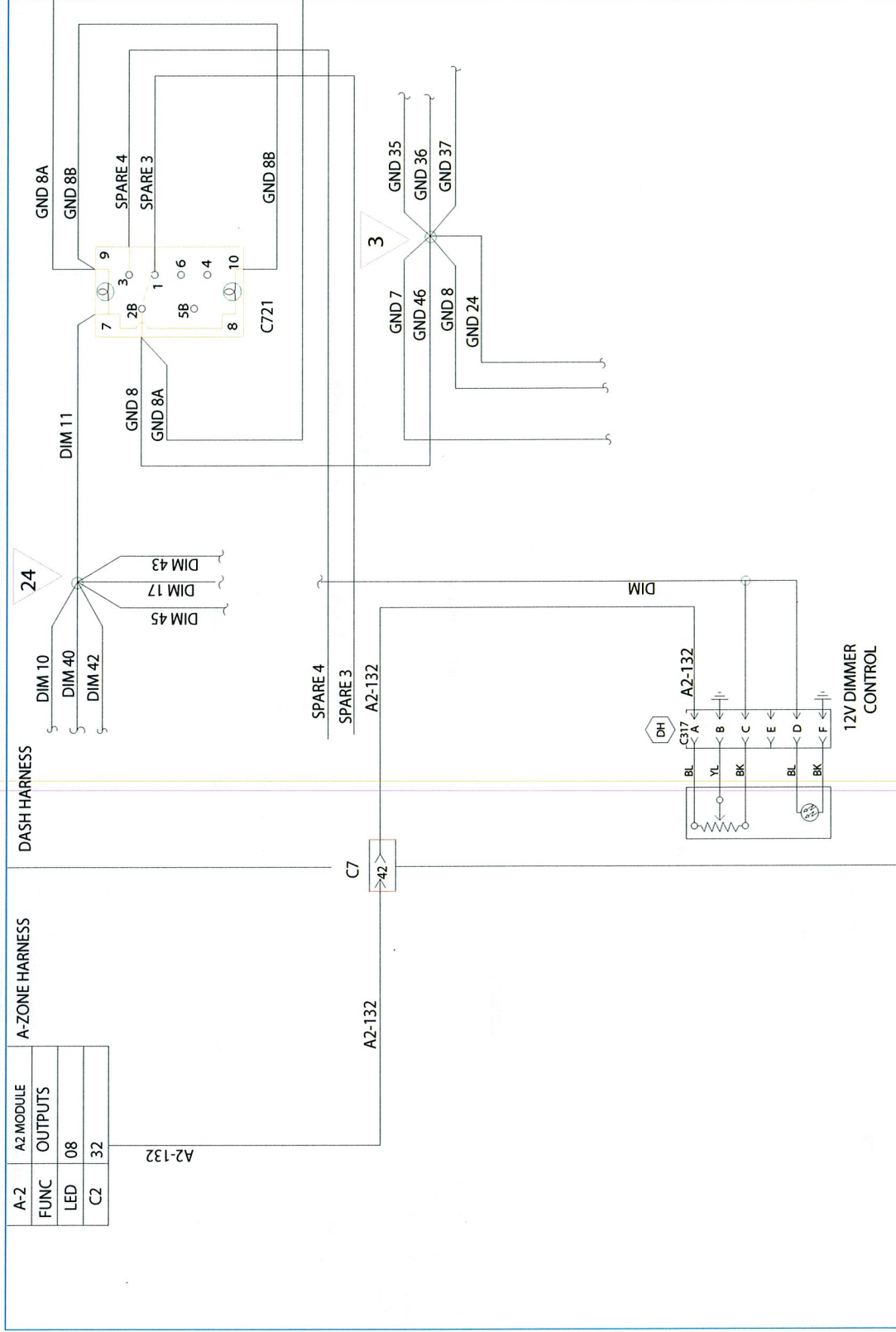
Wiring Schematic 0075943 - CAT Messenger



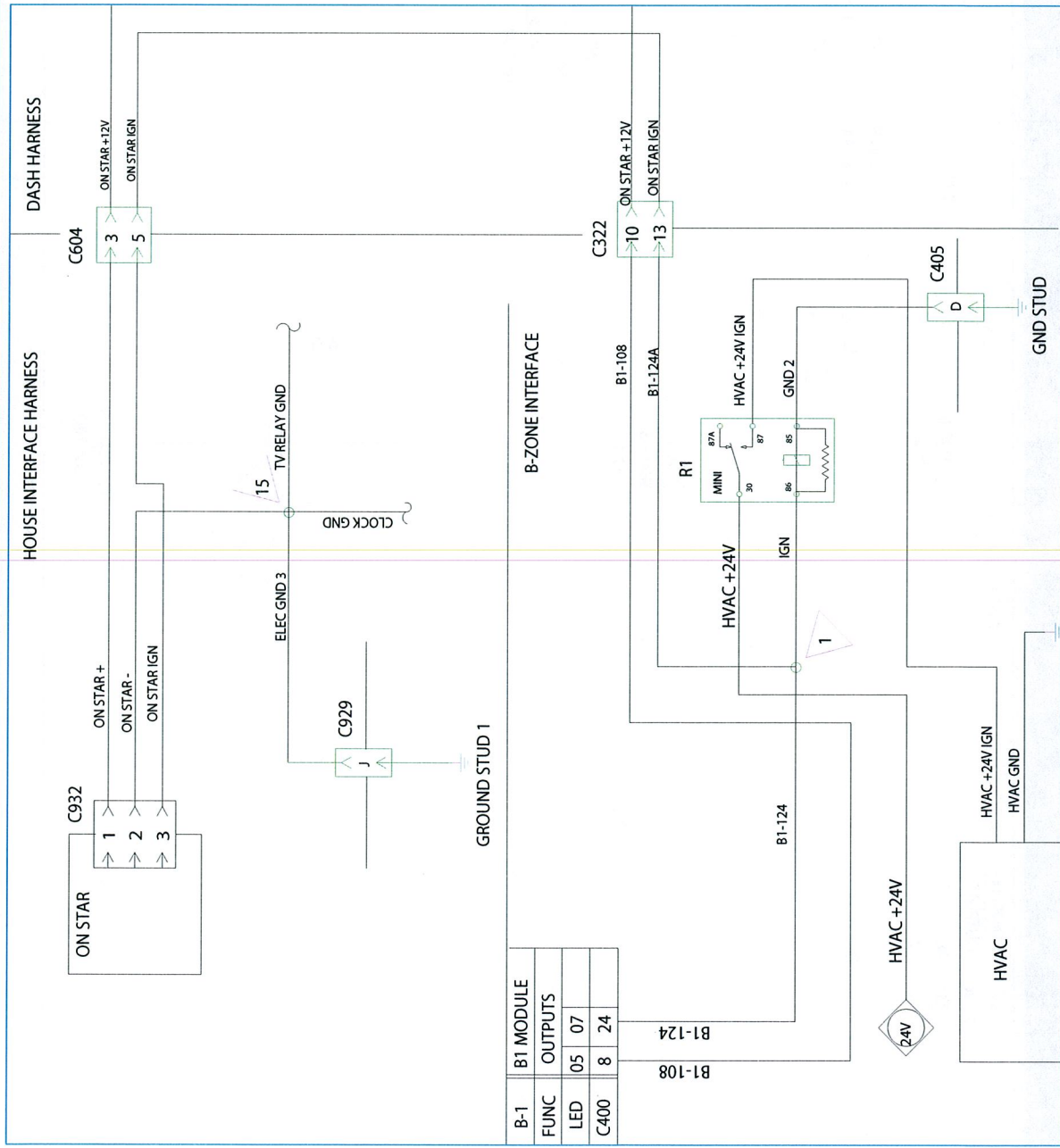
Wiring Schematic 0075961 - Engine Override Switch



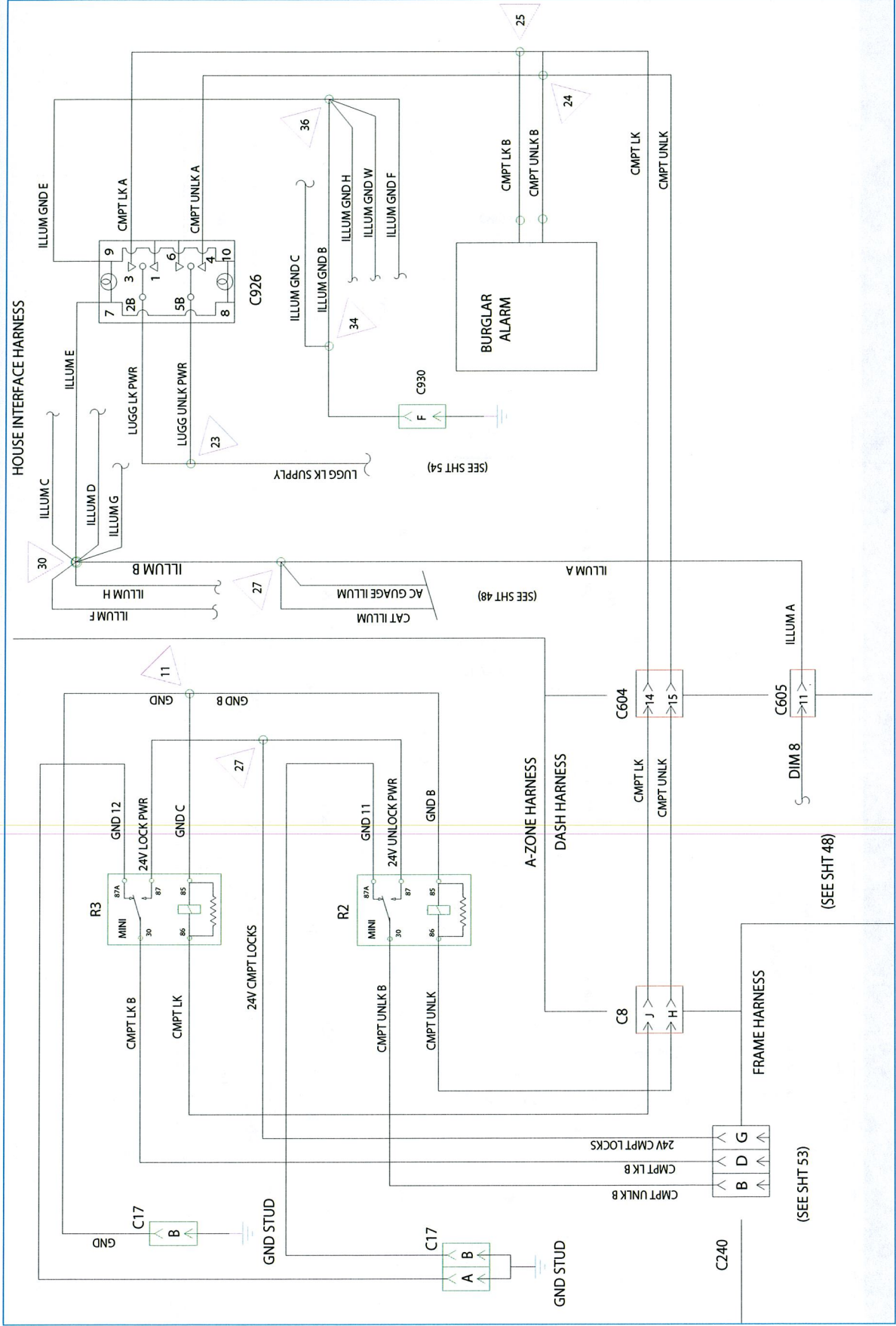
Wiring Schematic 0075966 - Spare Switch



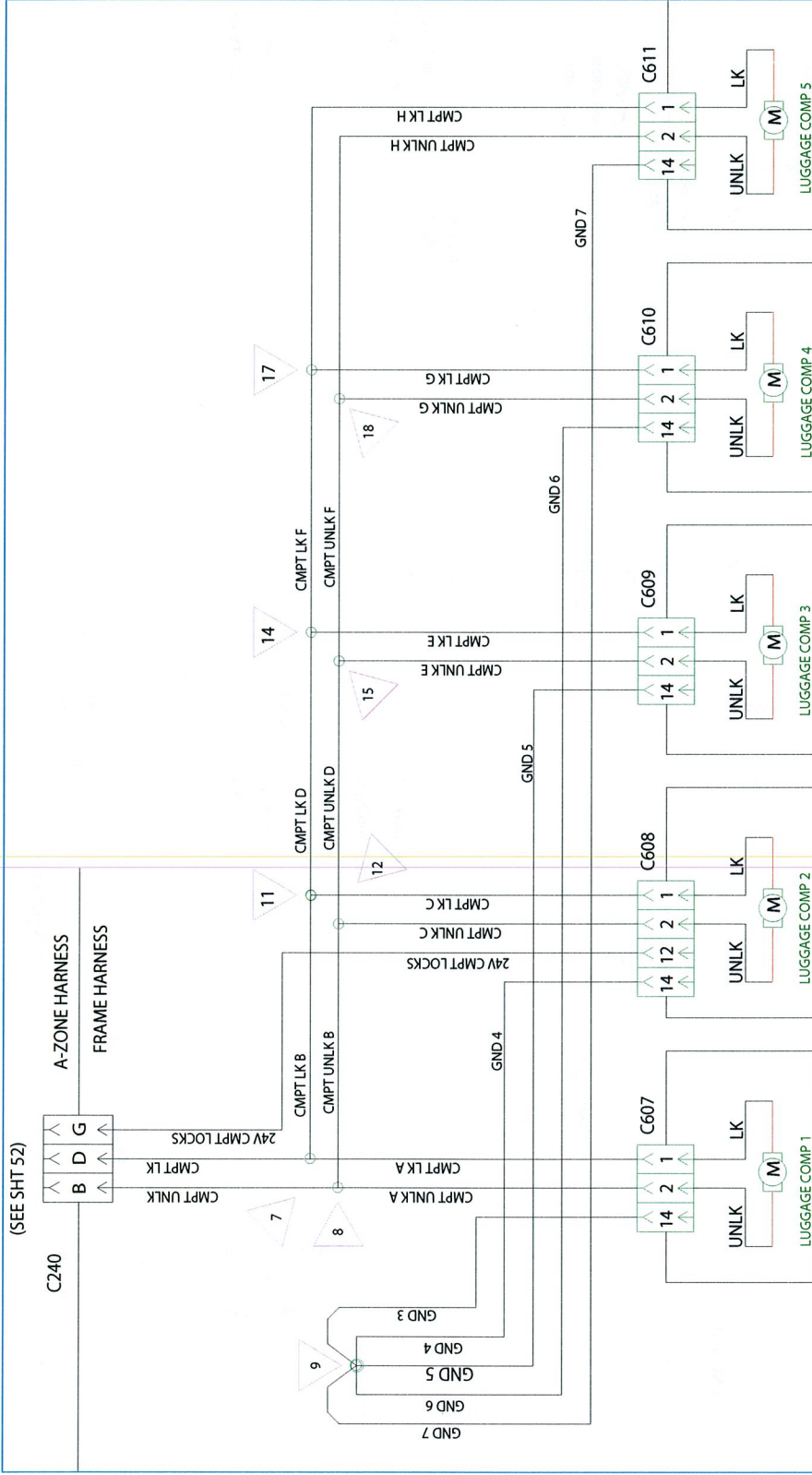
Wiring Schematic 0075967 - OnStar Power



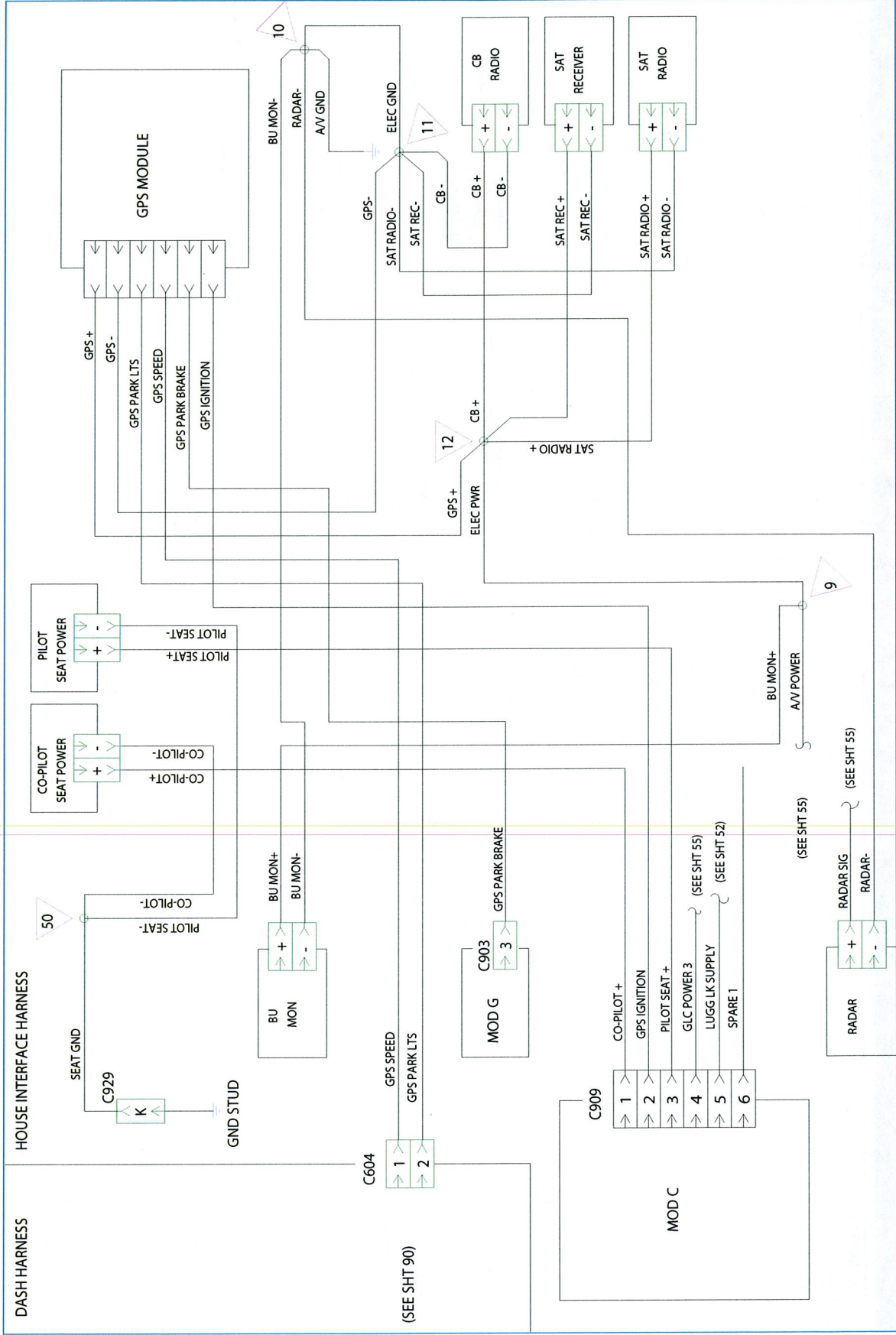
Wiring Schematic 0075973 - Luggage Locks Switch



Wiring Schematic 0075992 - Luggage Locks

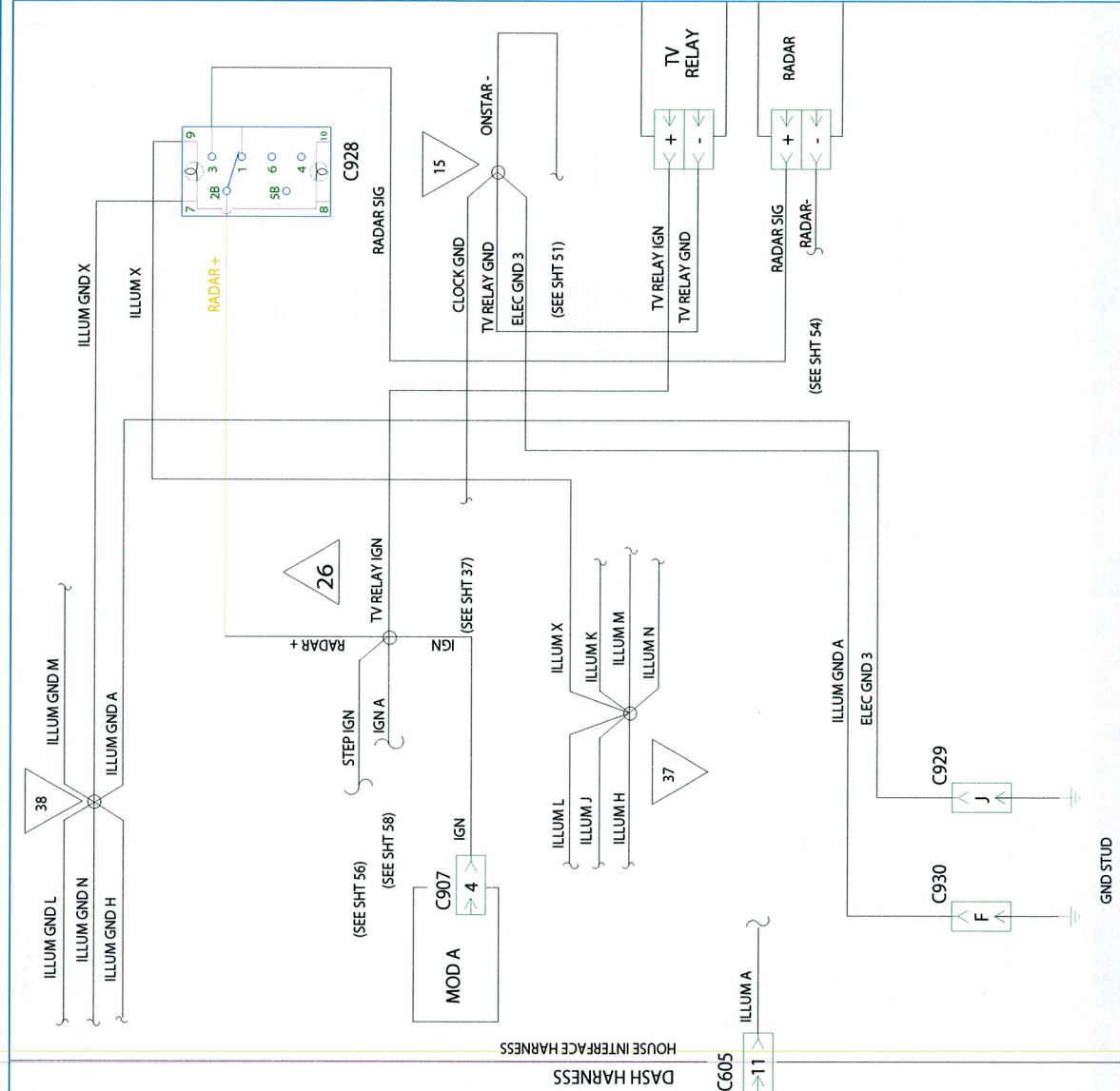
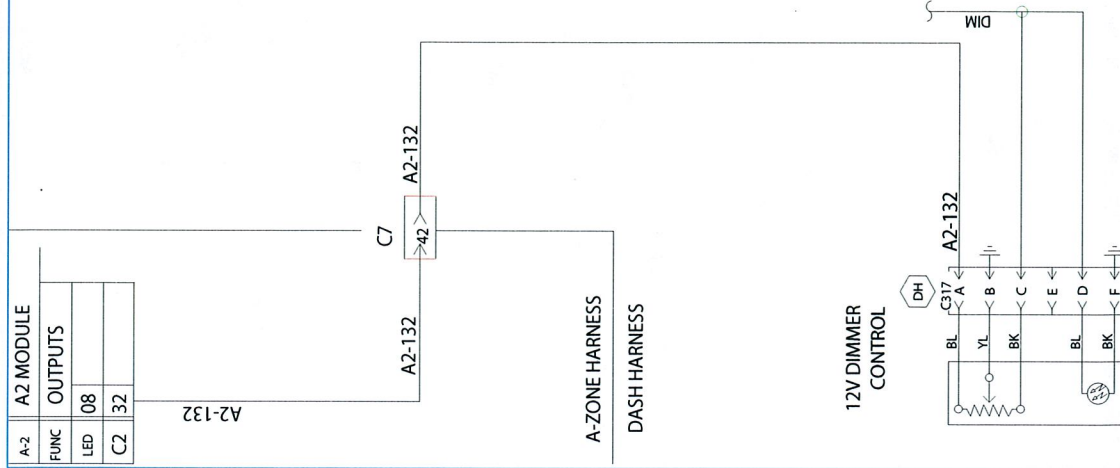


Wiring Schematic 0076007 - GPS Power

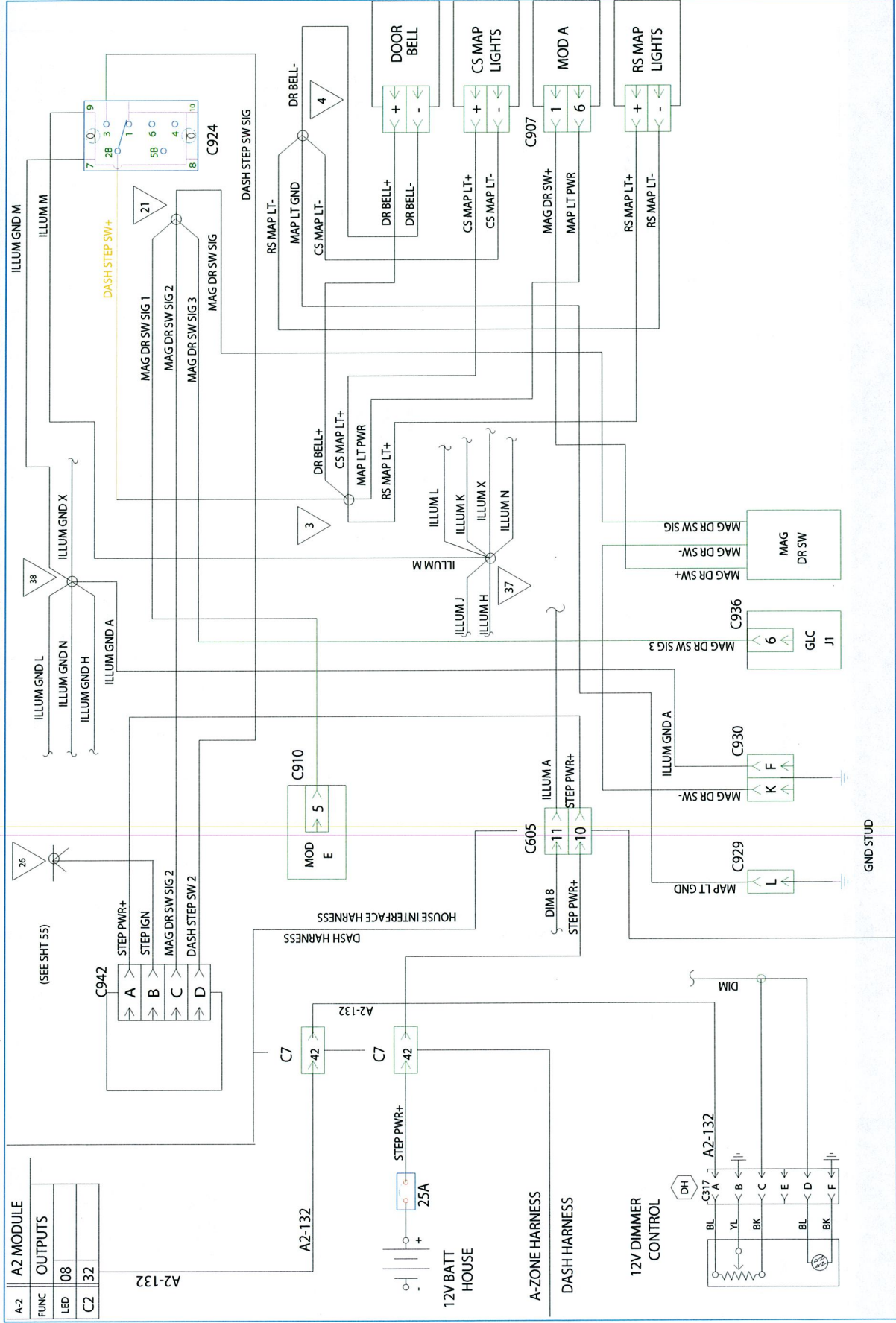


Wiring Schematic 0076043 - Radar Switch

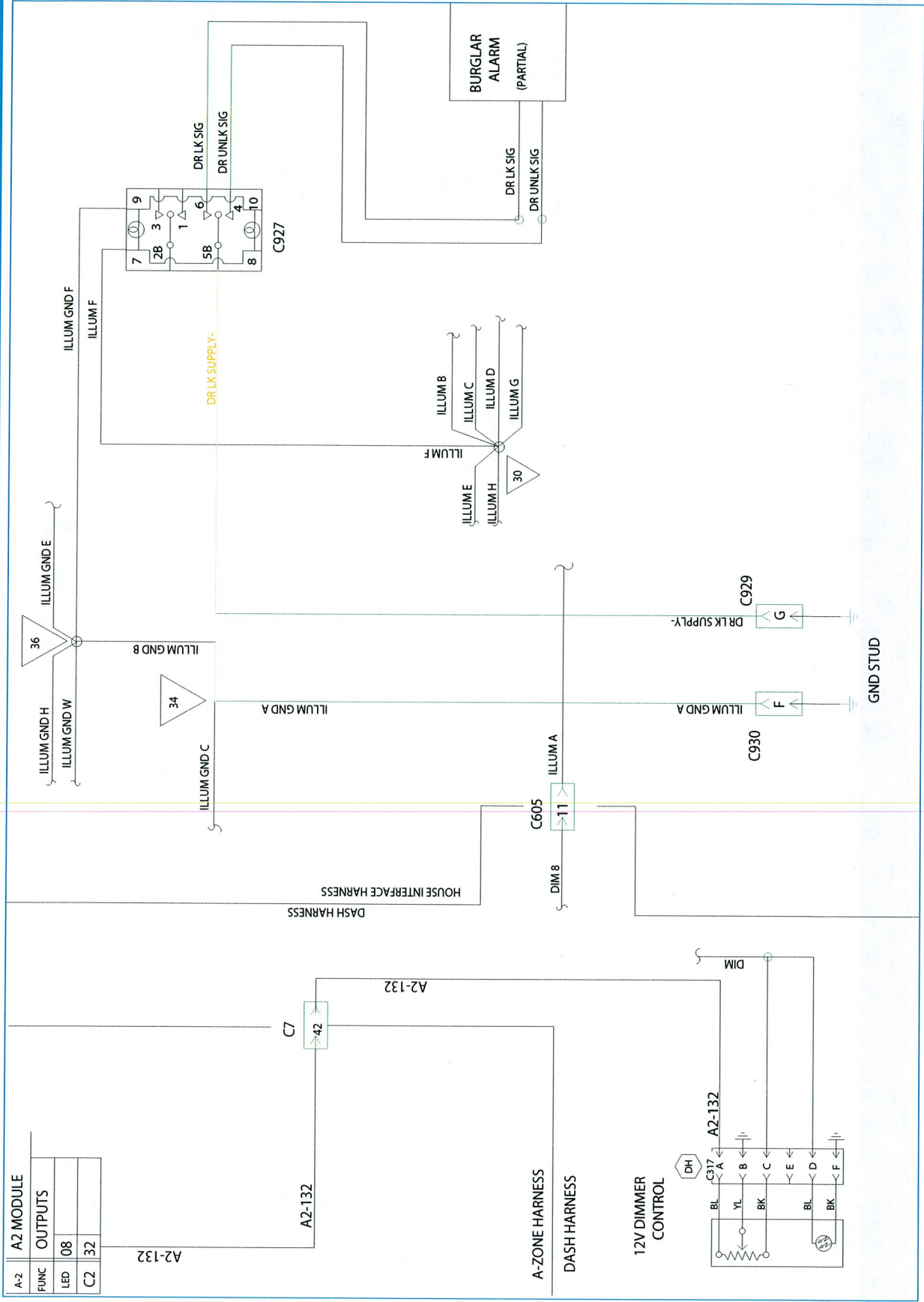
A-2	A2 MODULE
FUNC	OUTPUTS
LED	08
C2	32



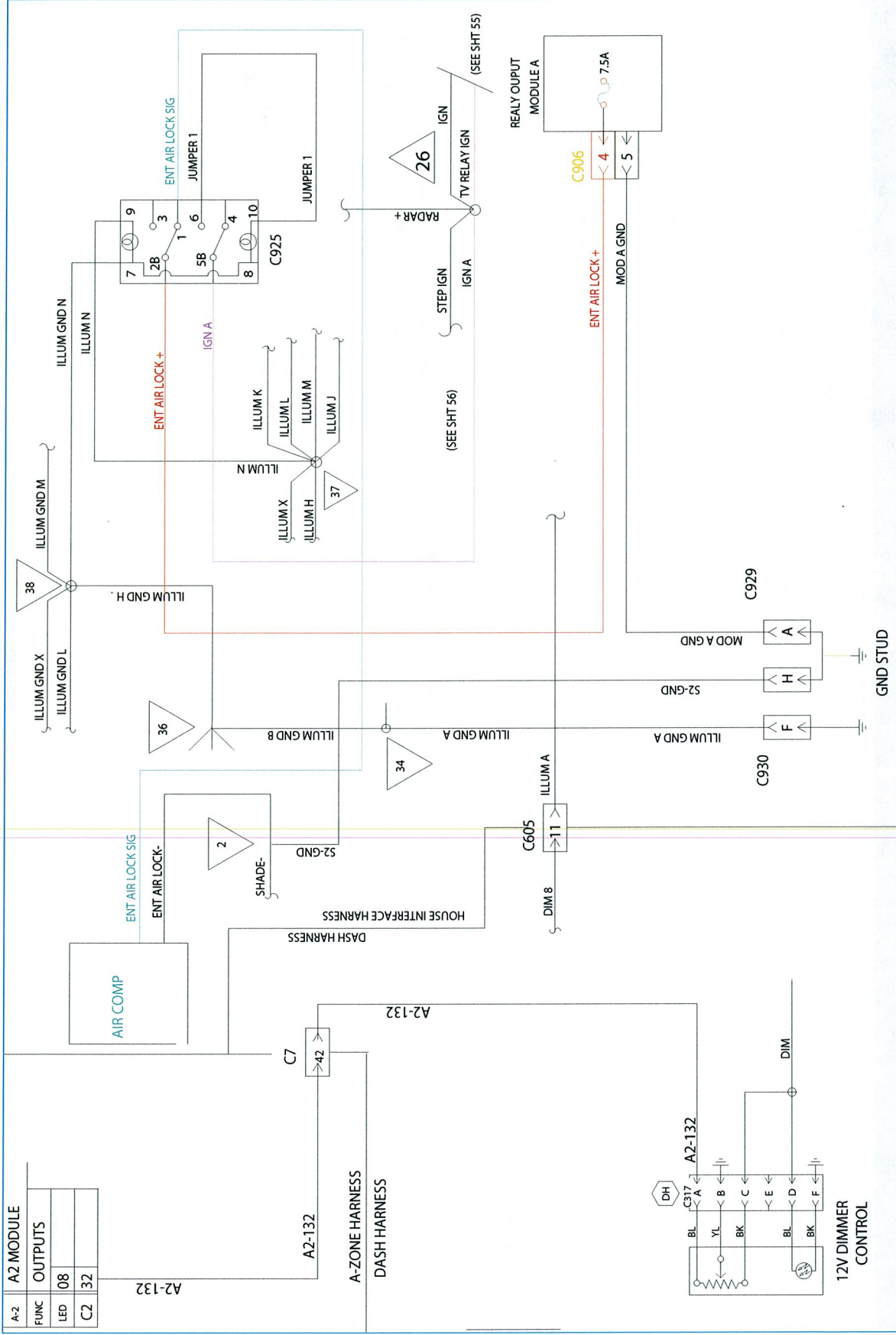
Wiring Schematic 0076073 - Entrance Step Switch



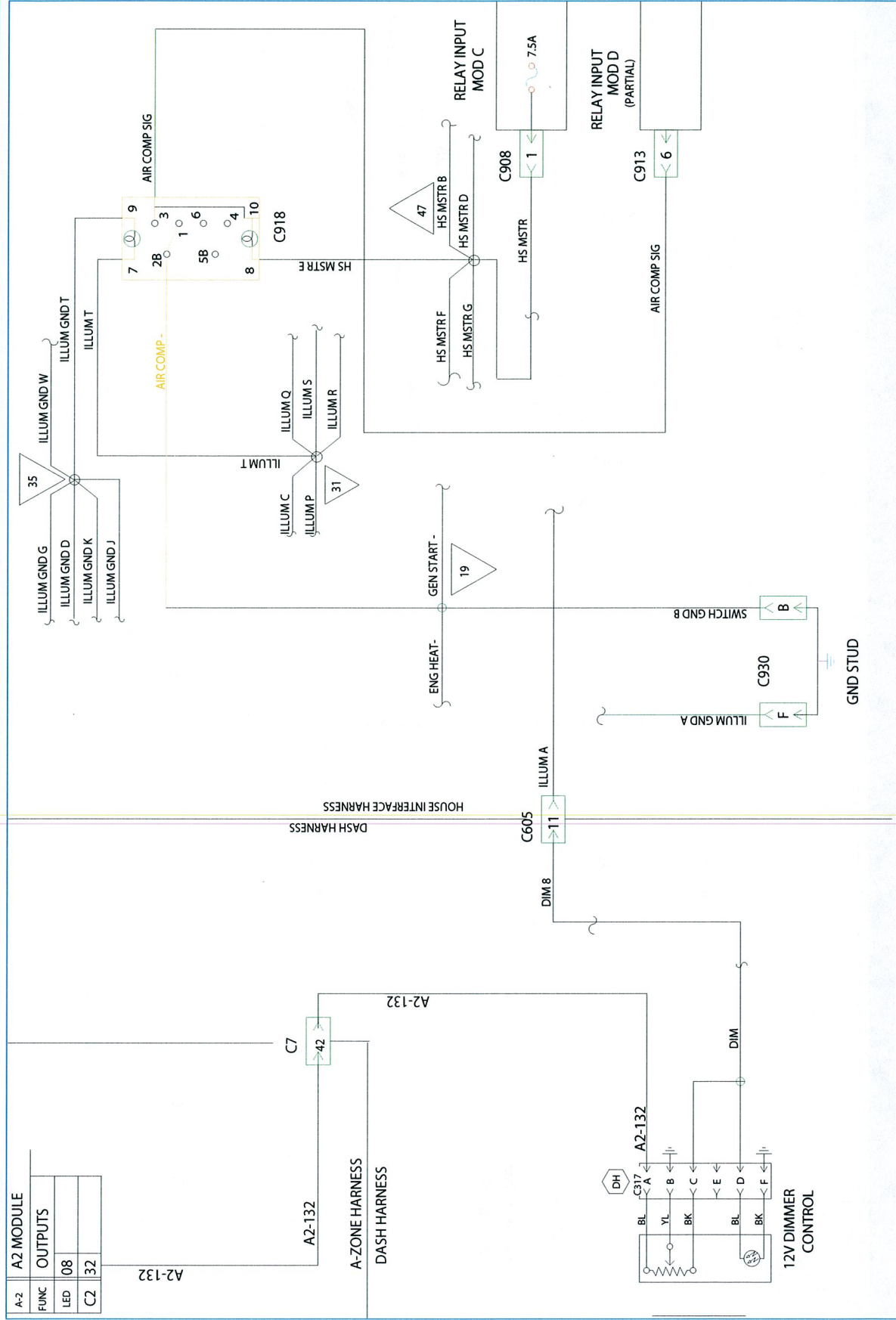
Wiring Schematic 0076086 - Entrance Door Lock Switch



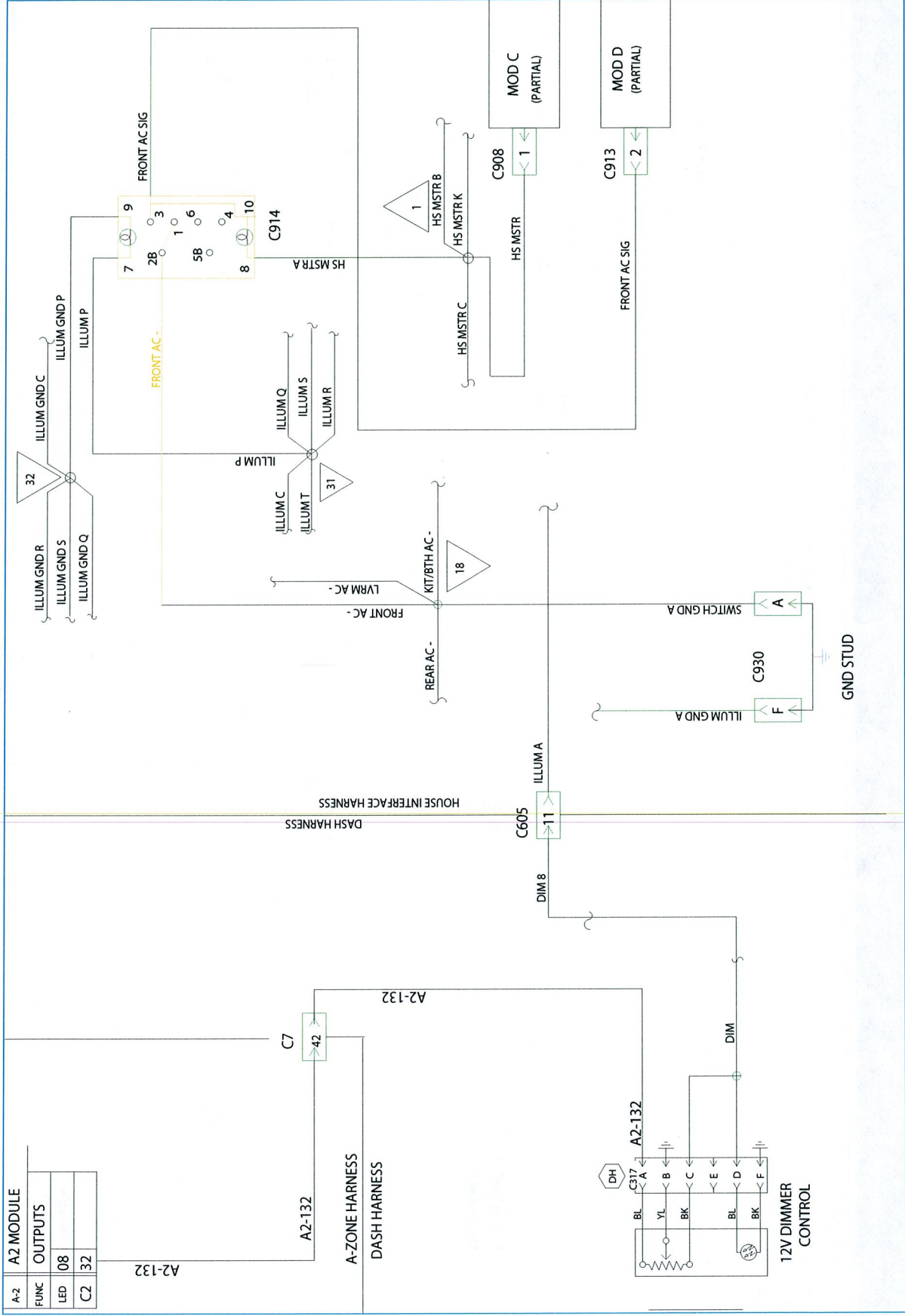
Wiring Schematic 0076087 - Entrance Air Locks Switch



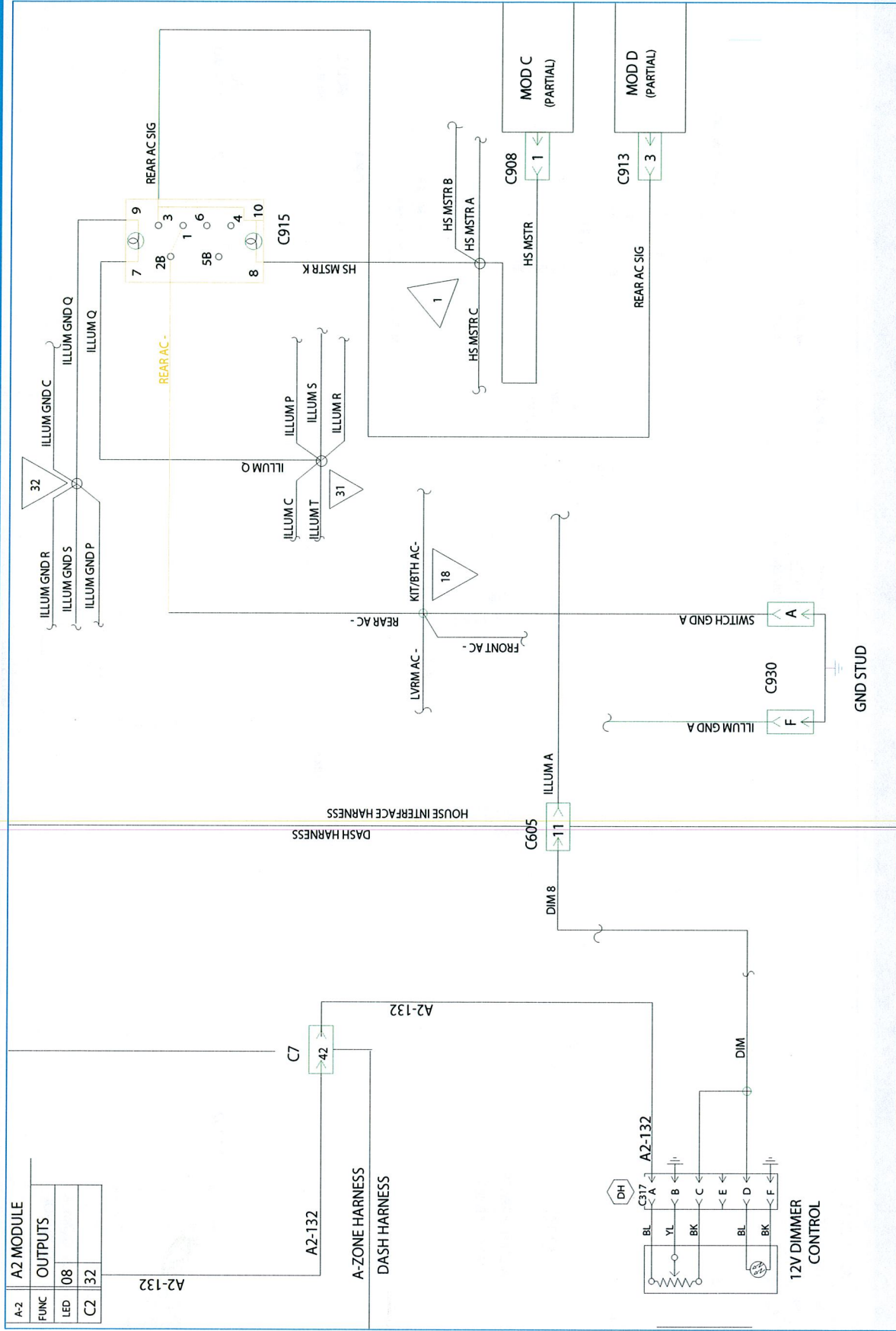
Wiring Schematic 0076088 - Air Compressor Switch



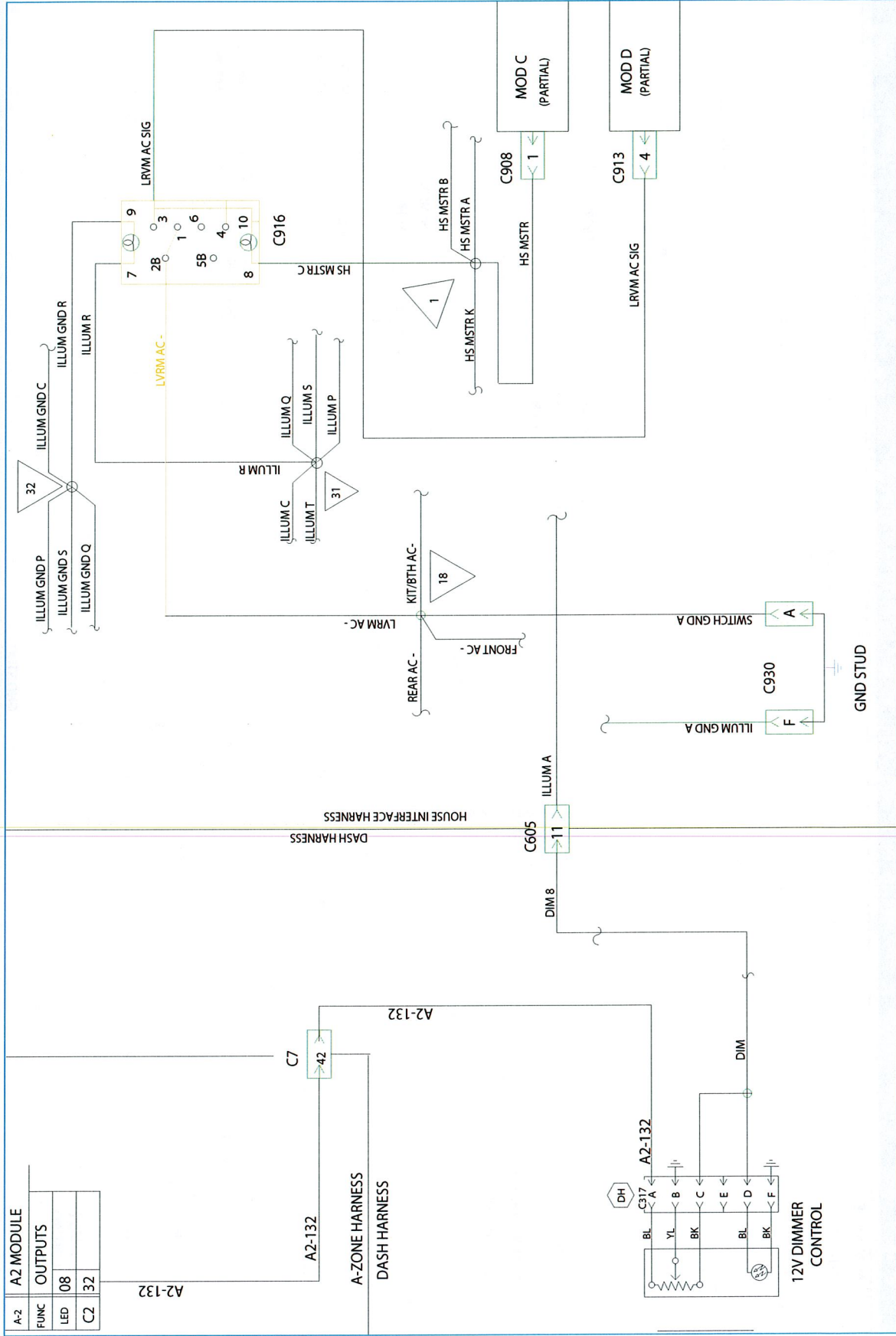
Wiring Schematic 0076089 - Front AC Switch



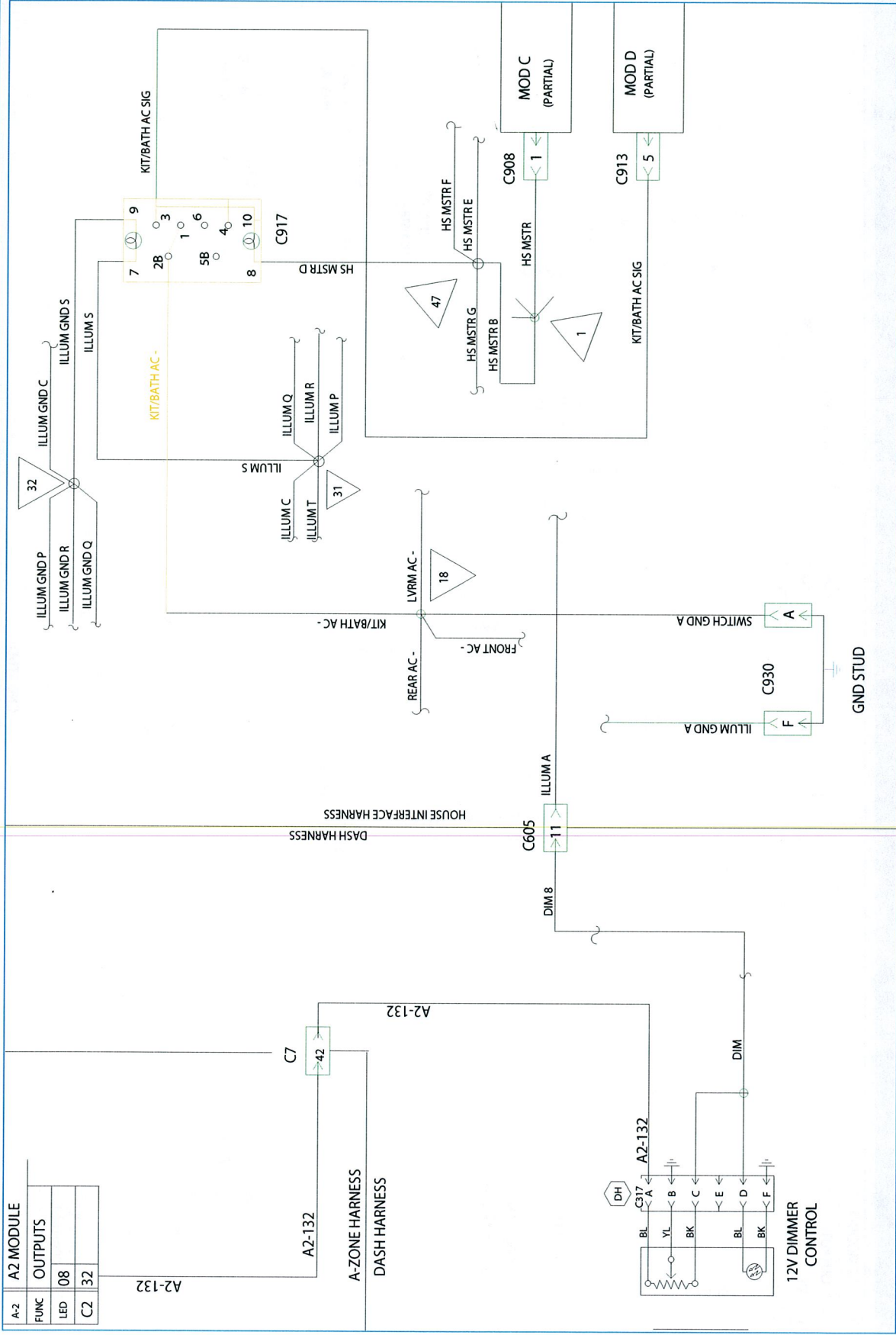
Wiring Schematic 0076090 - Rear AC Switch



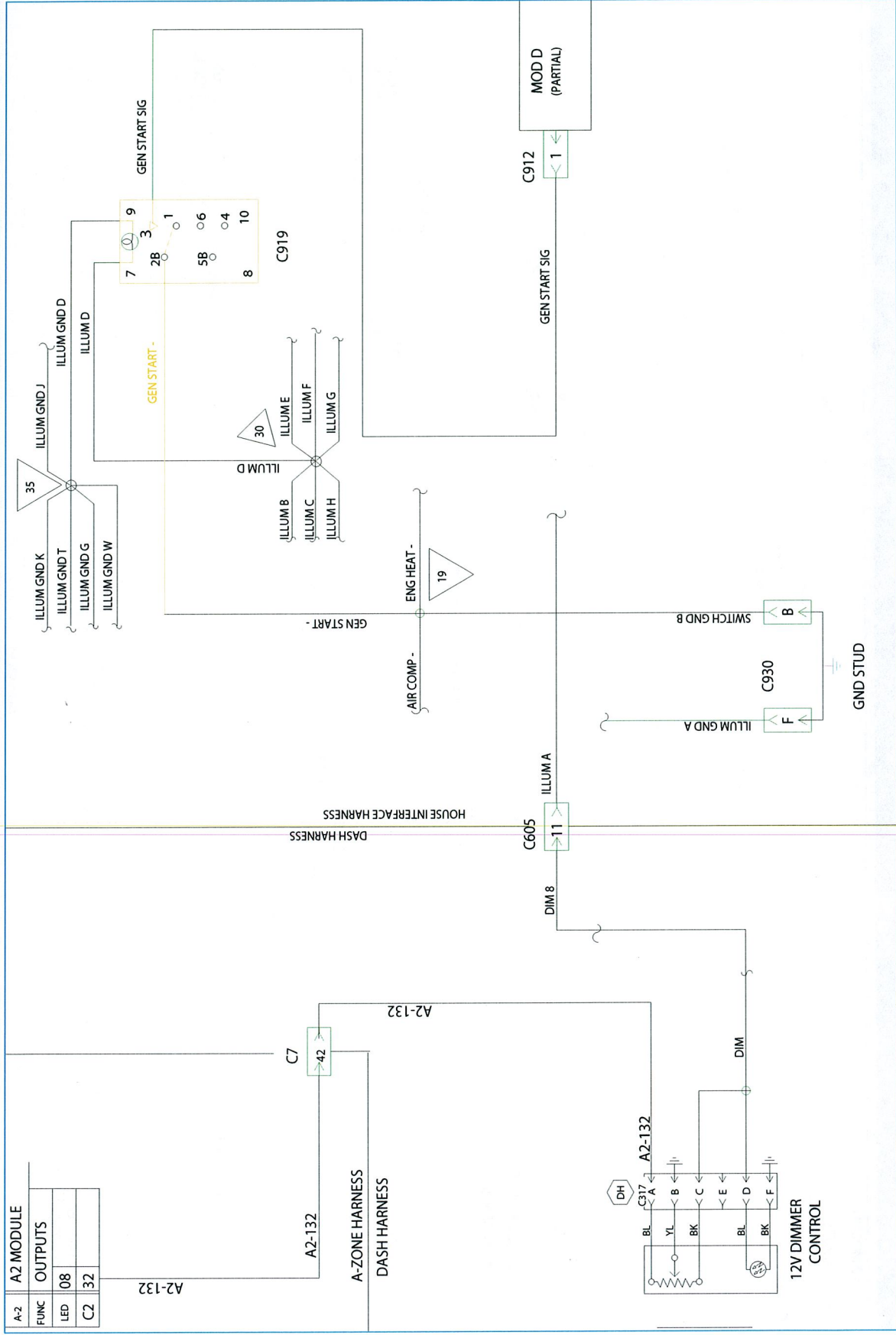
Wiring Schematic 0076091 - Living Room AC Switch



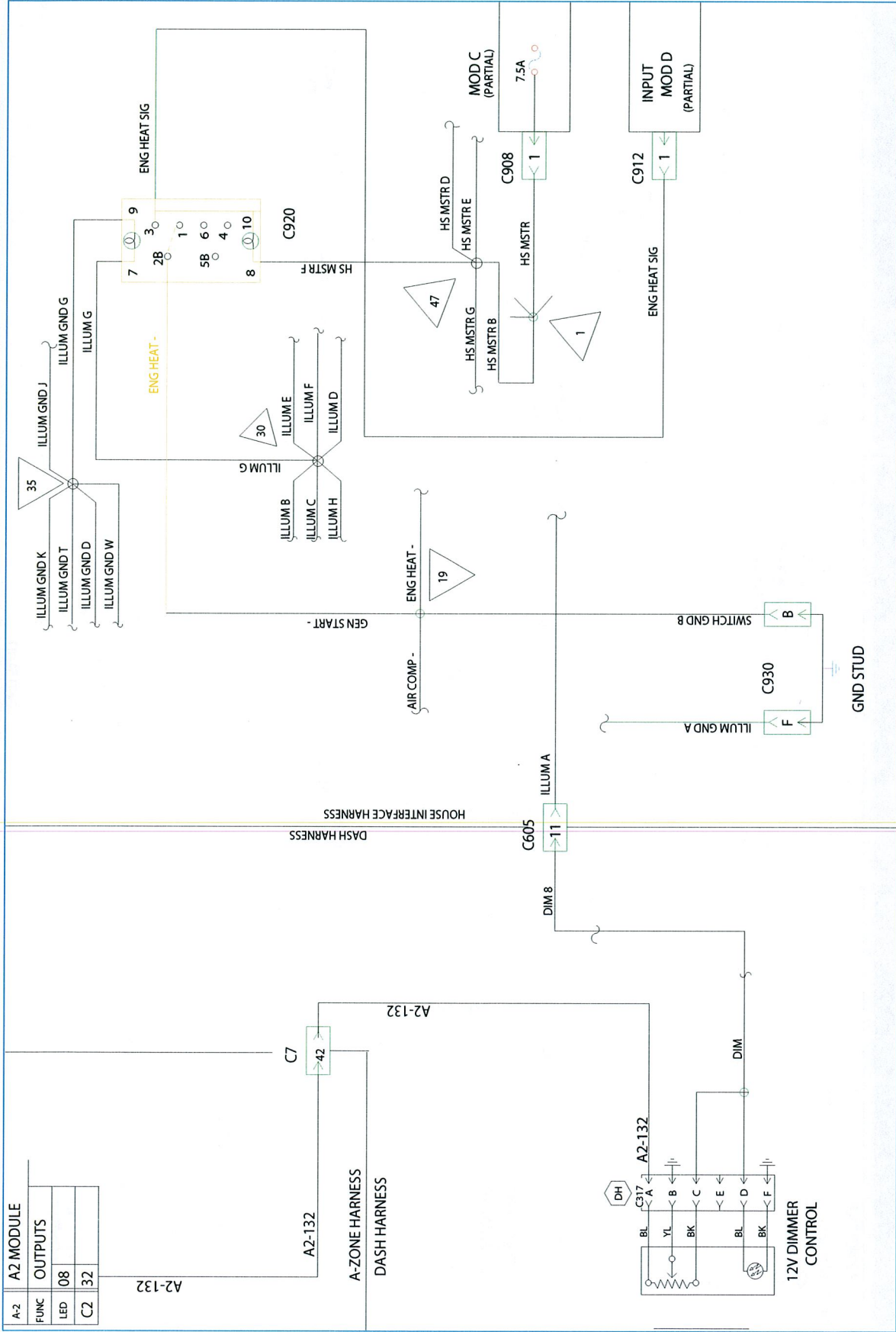
Wiring Schematic 0076093 - Kitchen / Bath AC Switch



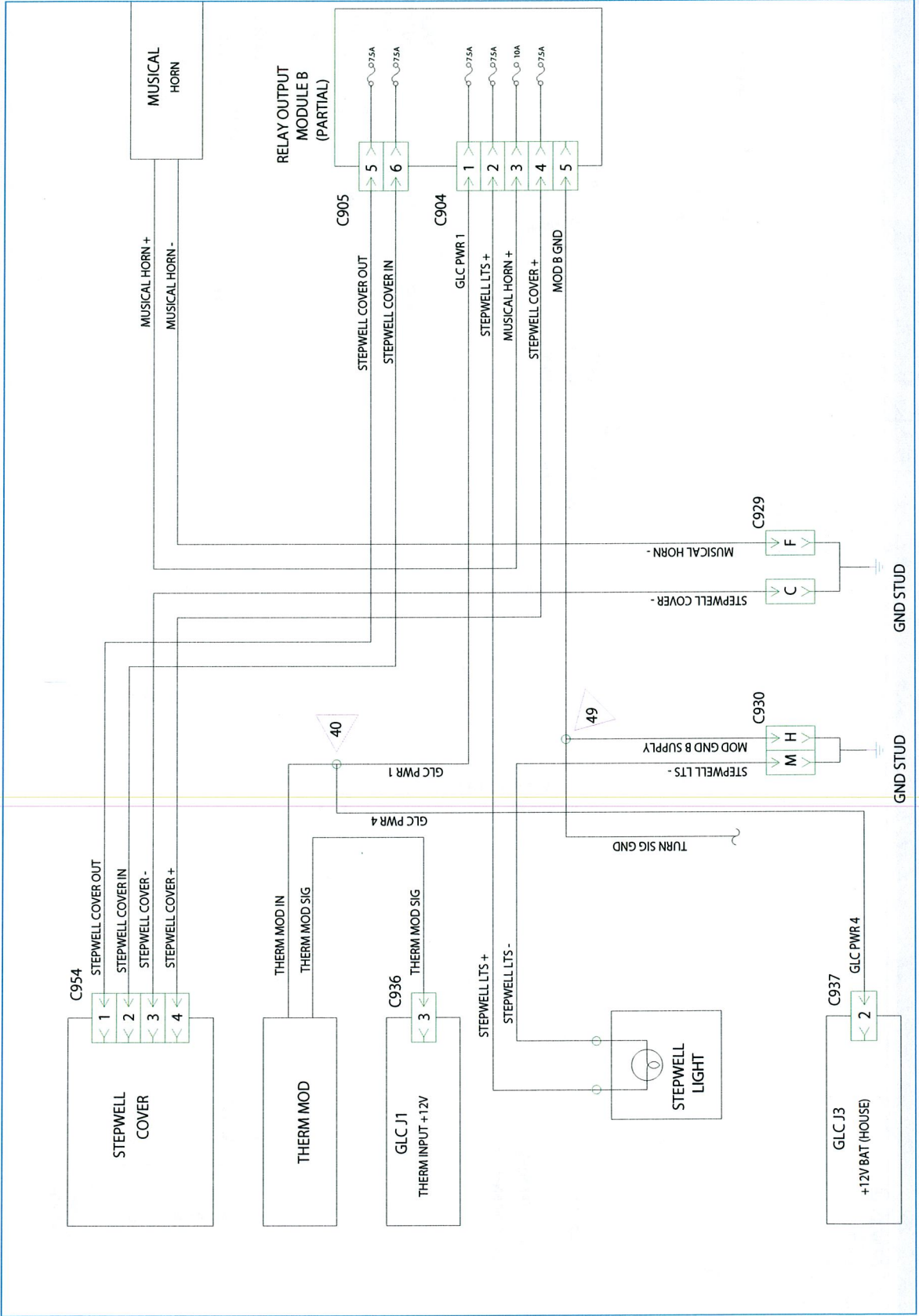
Wiring Schematic 0076094 - Generator On / Off Switch



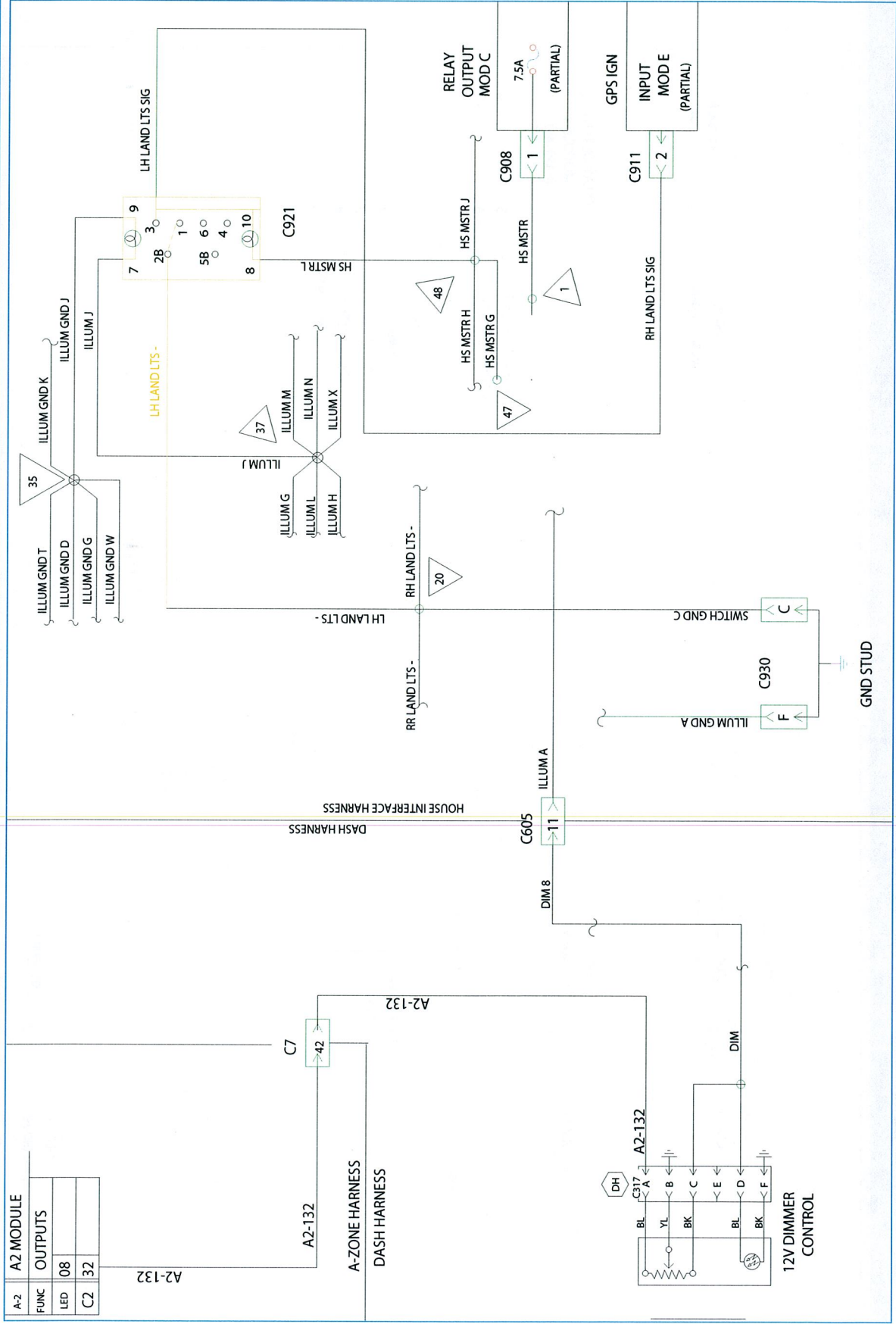
Wiring Schematic 0076096 - Engine Pre Heat Switch



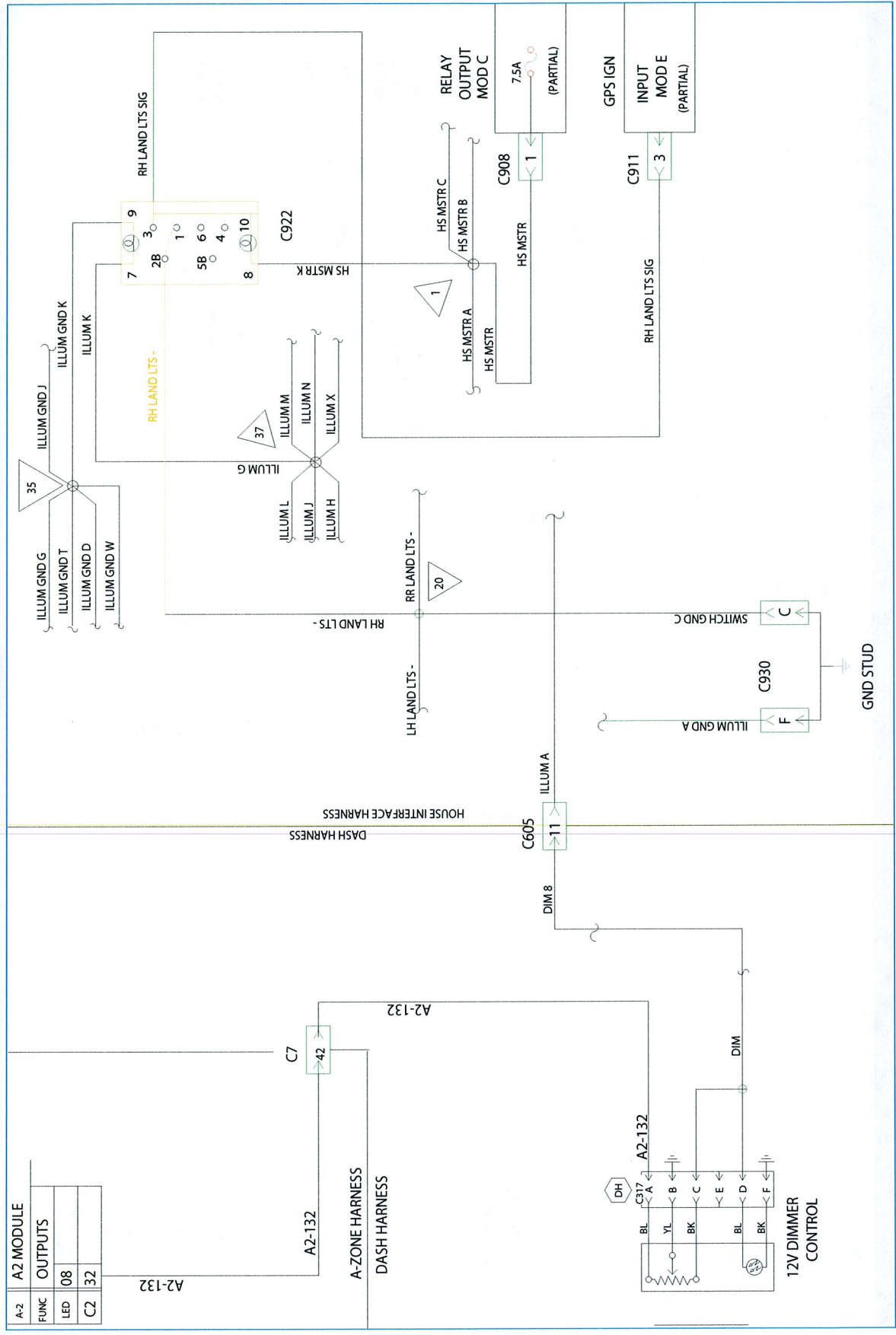
Wiring Schematic 0076101 - Stepwell Cover



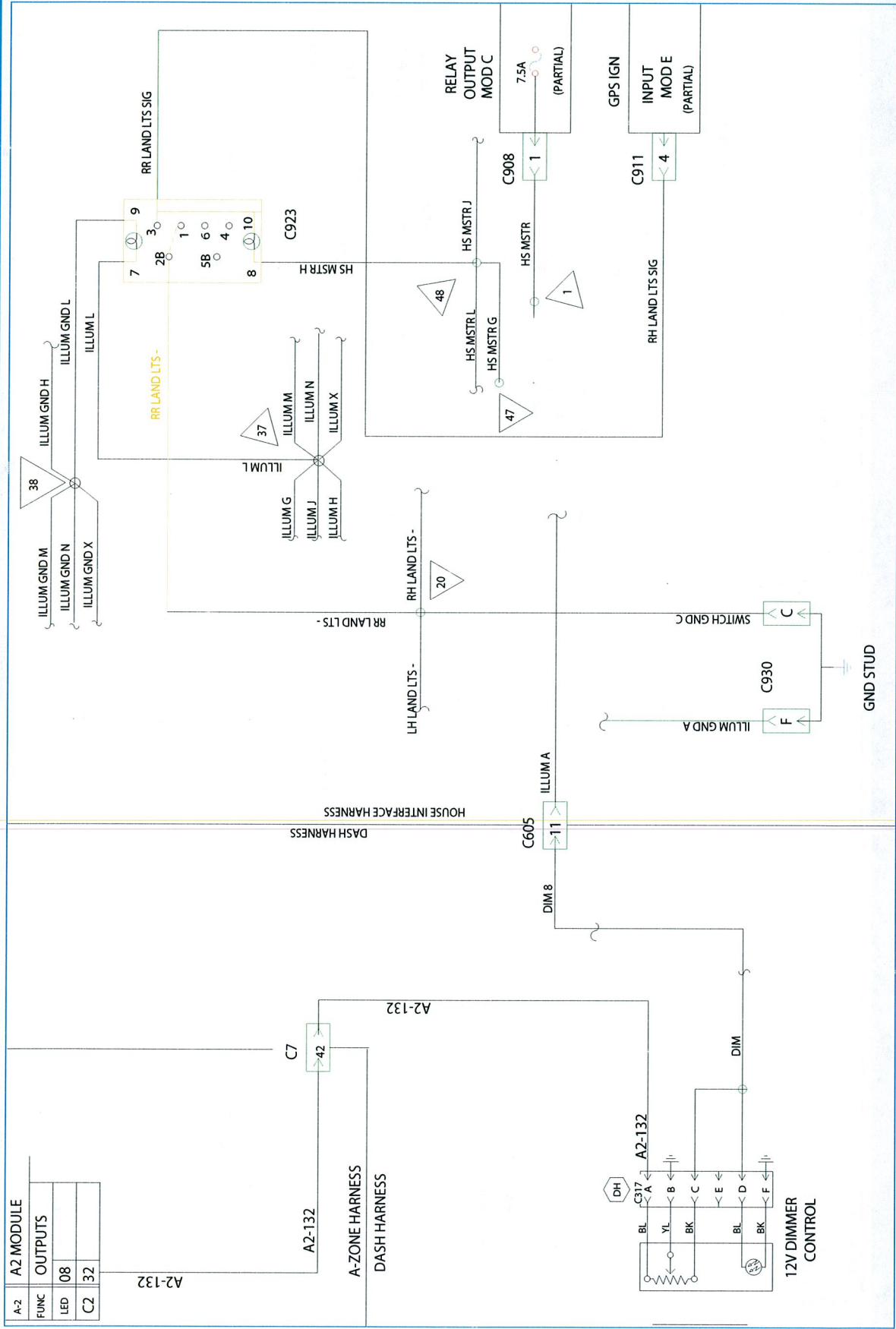
Wiring Schematic 0076108 - Left Landing Lights Switch



Wiring Schematic 0076106 - Right Landing Lights Switch

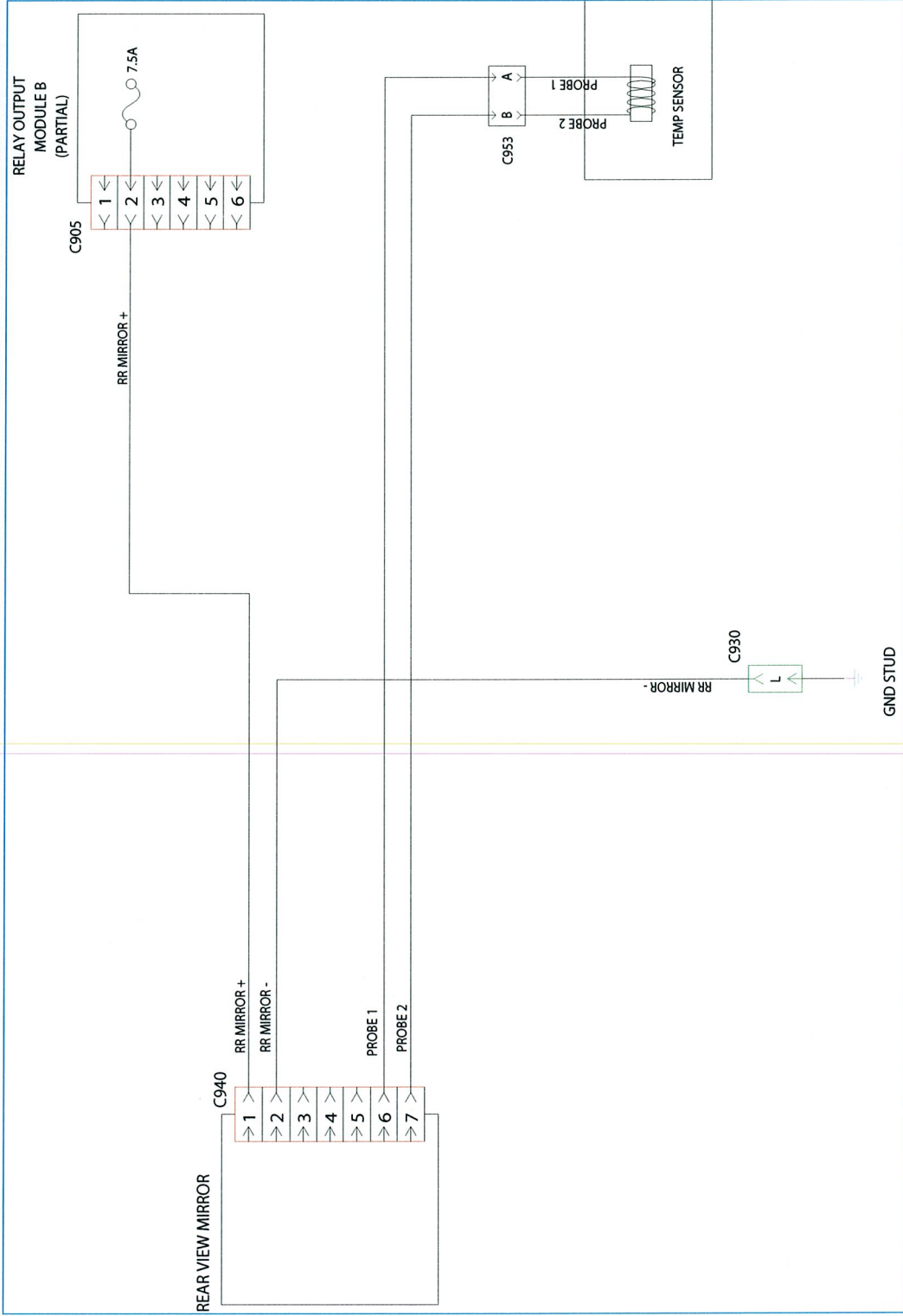


Wiring Schematic 0076107 - Rear Landing Lights Switch

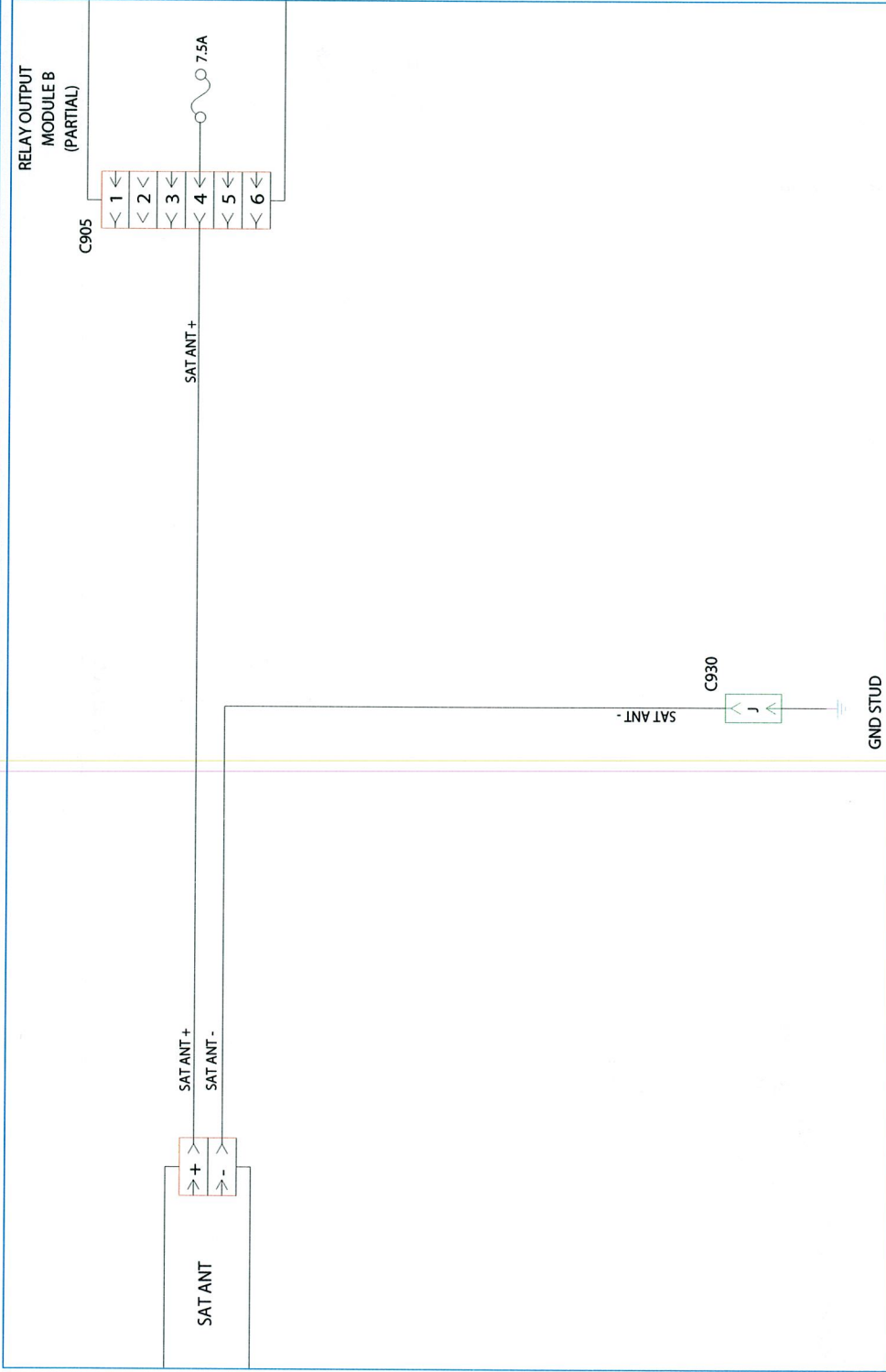


A-2	A2 MODULE	OUTPUTS
FUNC		08
LED		32
C2		

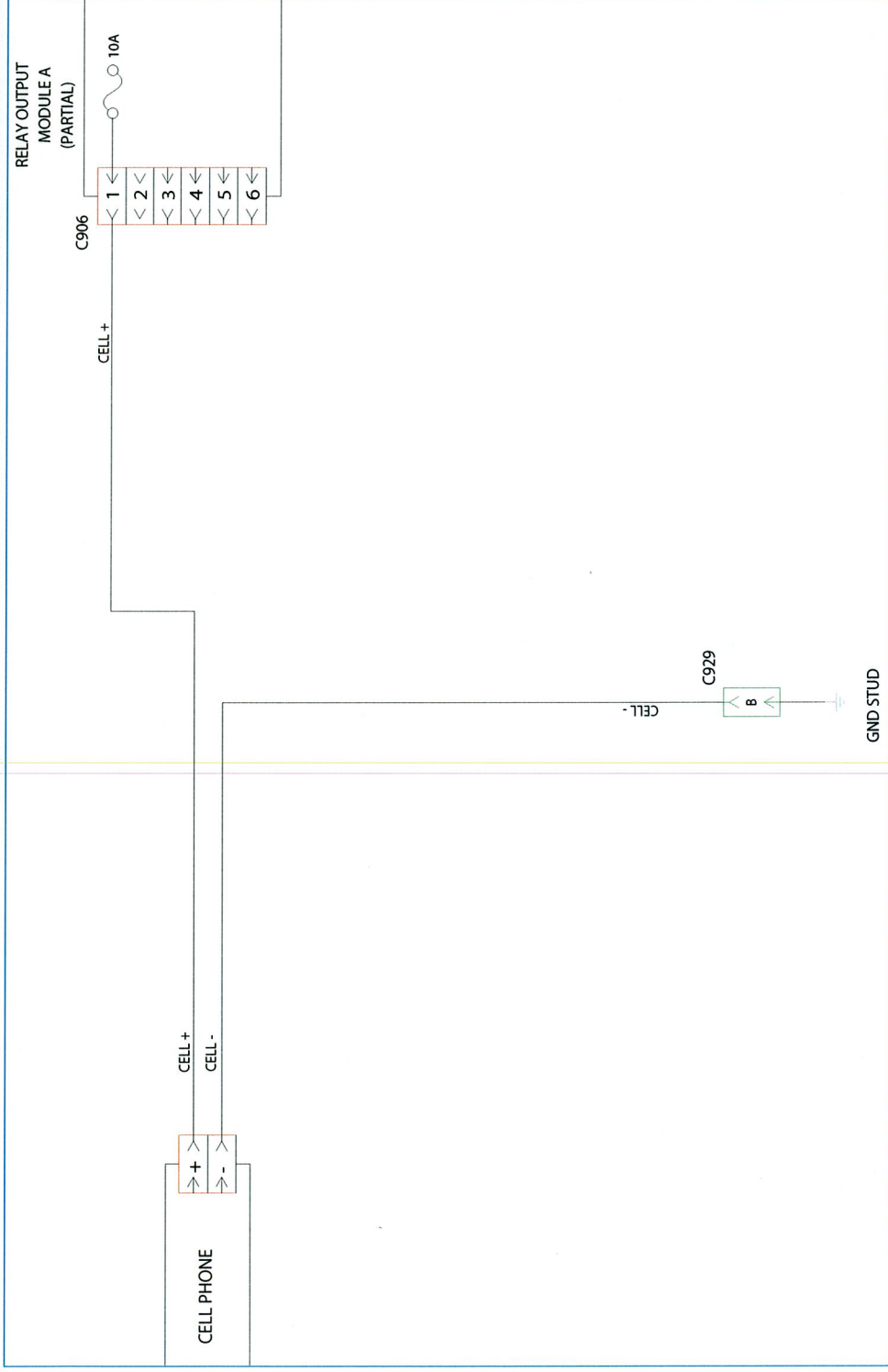
Wiring Schematic 0076112 - Rear View Mirror



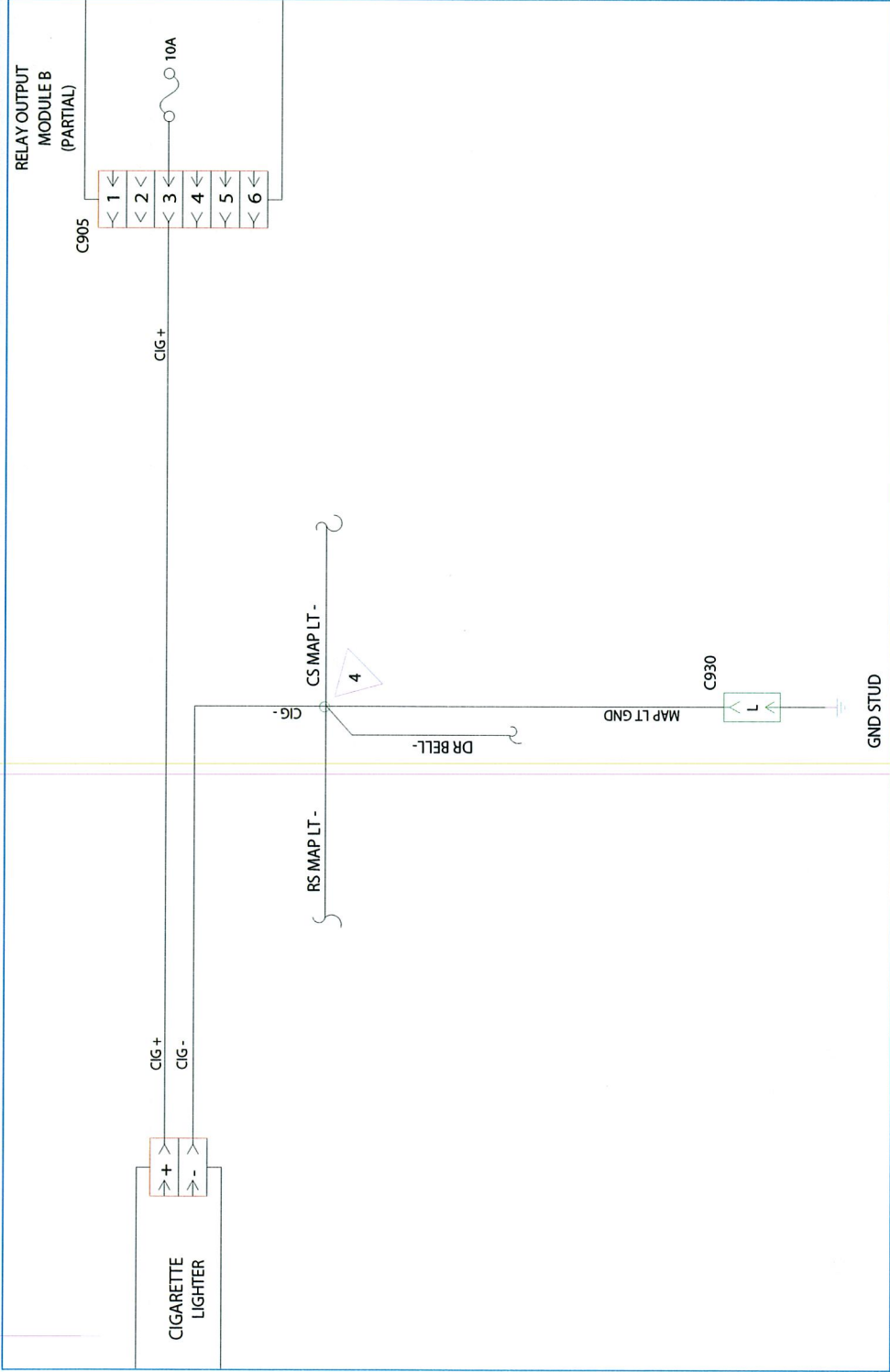
Wiring Schematic 0076116 - Satellite Antenna



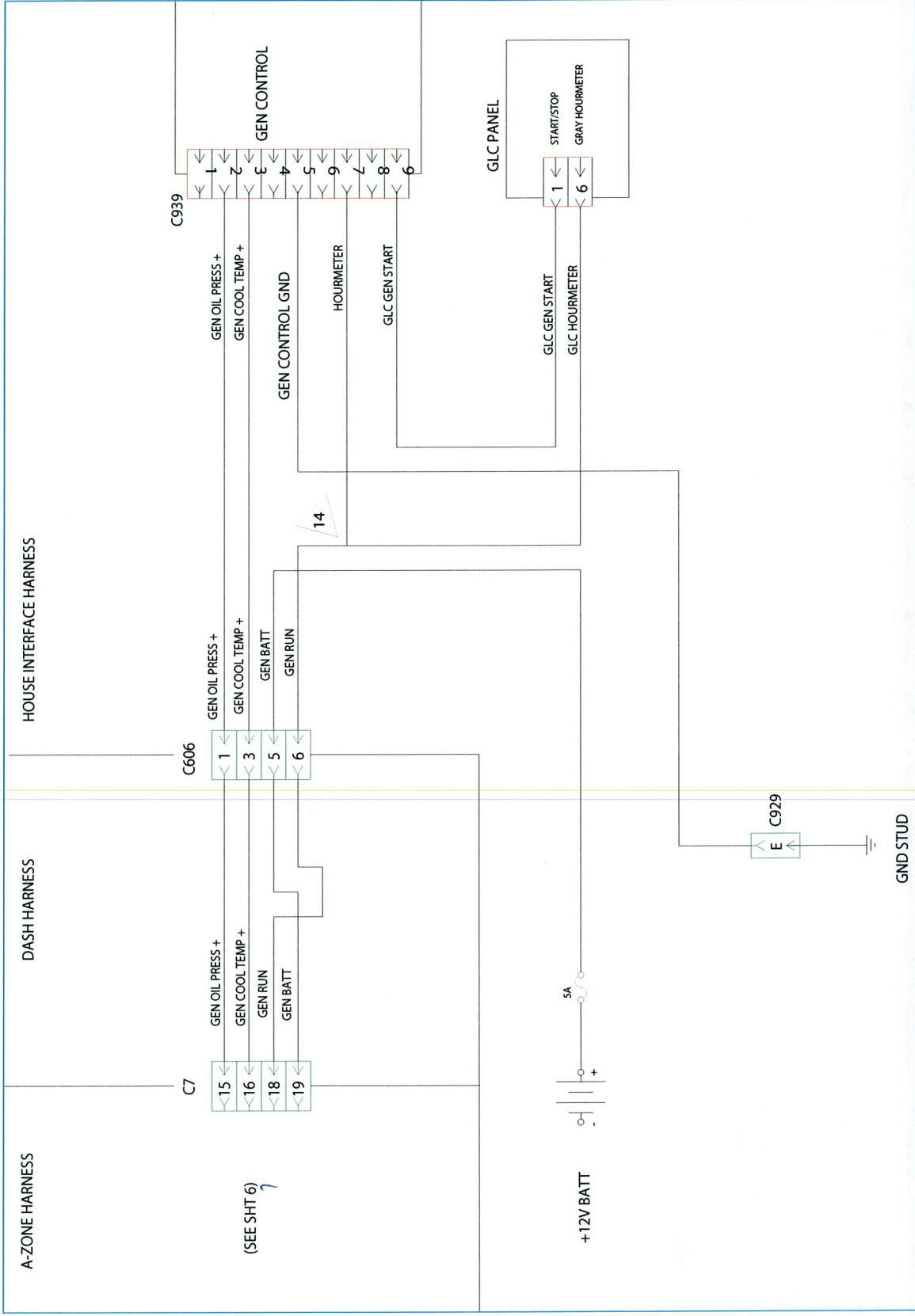
Wiring Schematic 0076117 - Cellular Phone



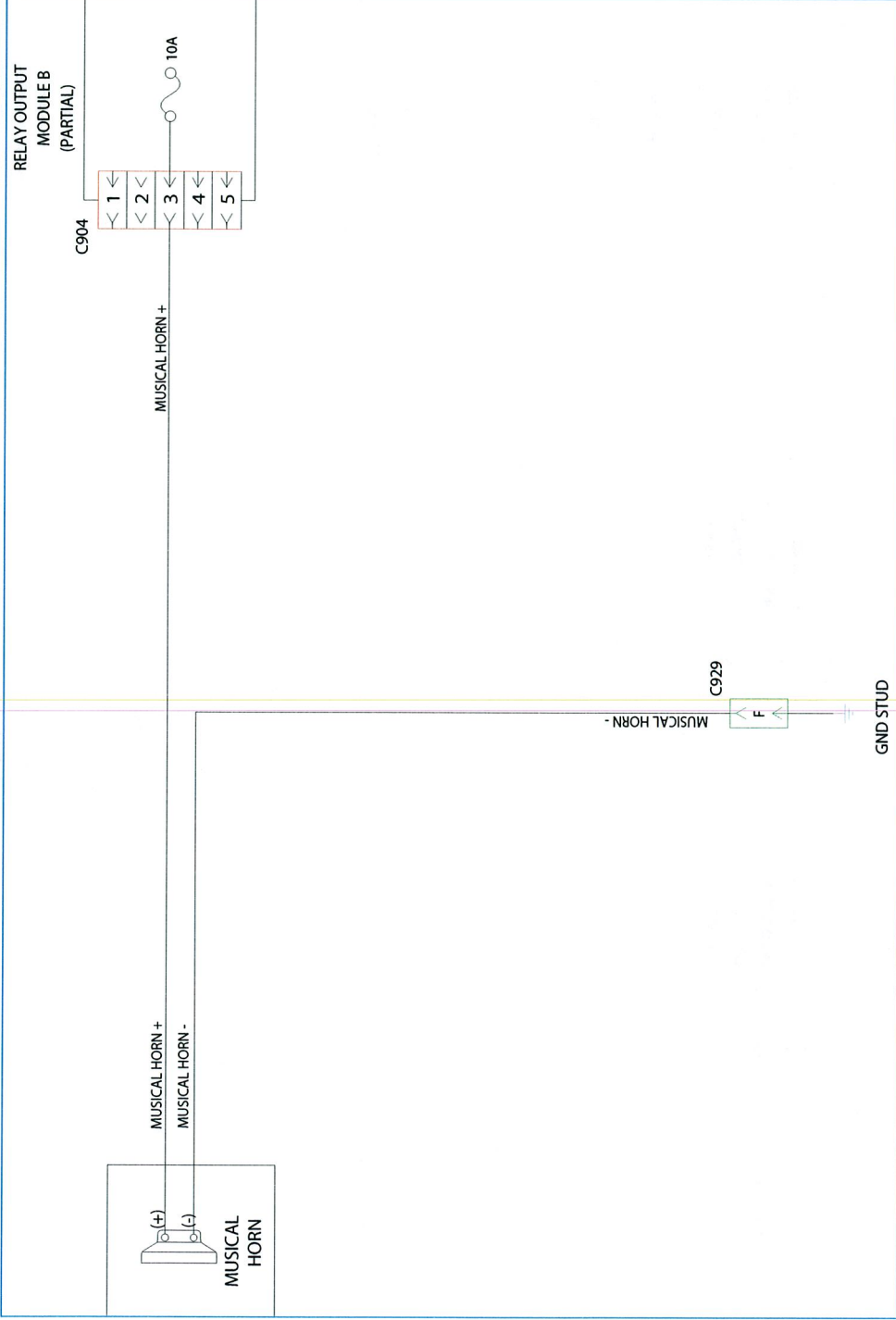
Wiring Schematic 0076119 - Cigarette Lighter



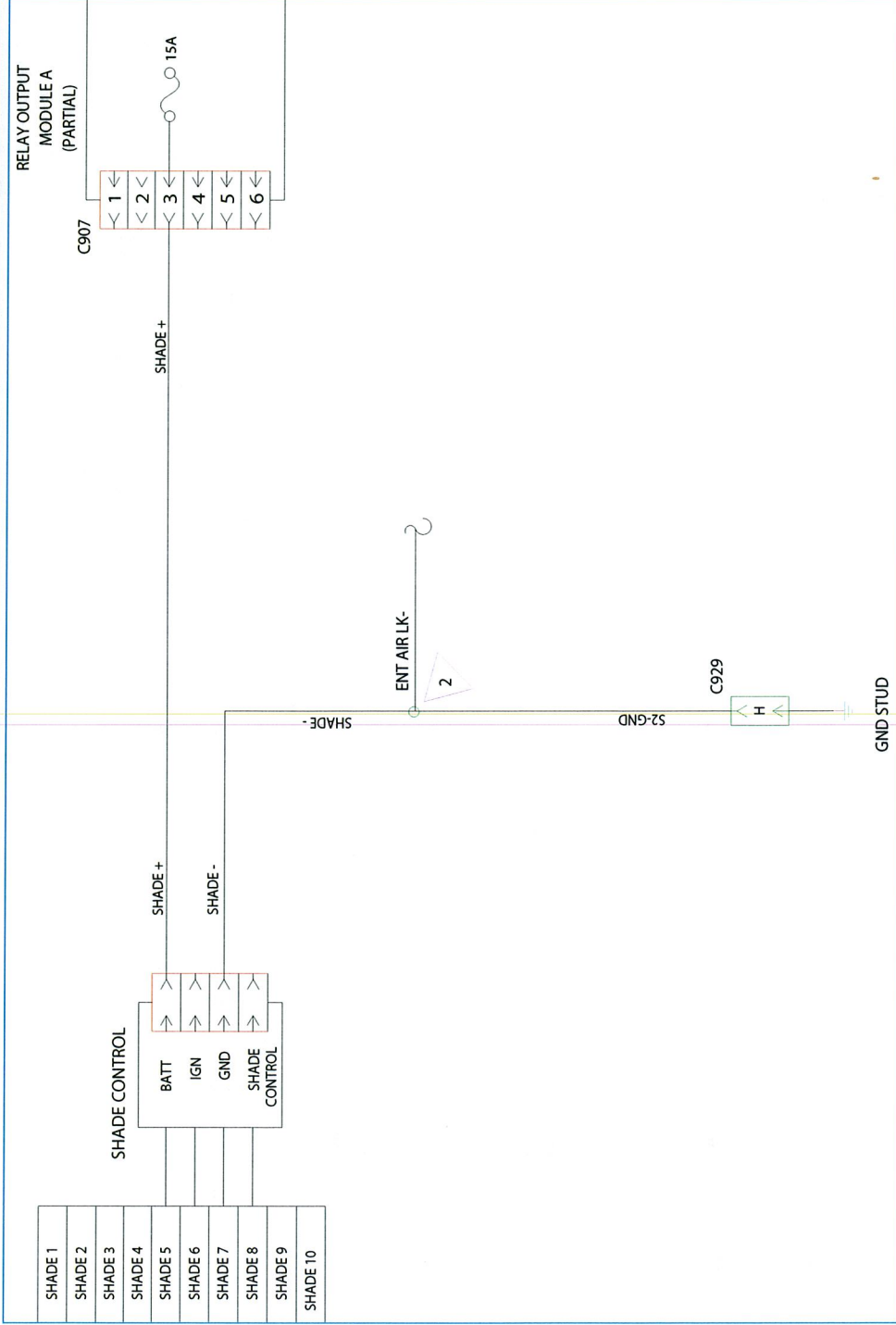
Wiring Schematic 0076121 - Generator Control



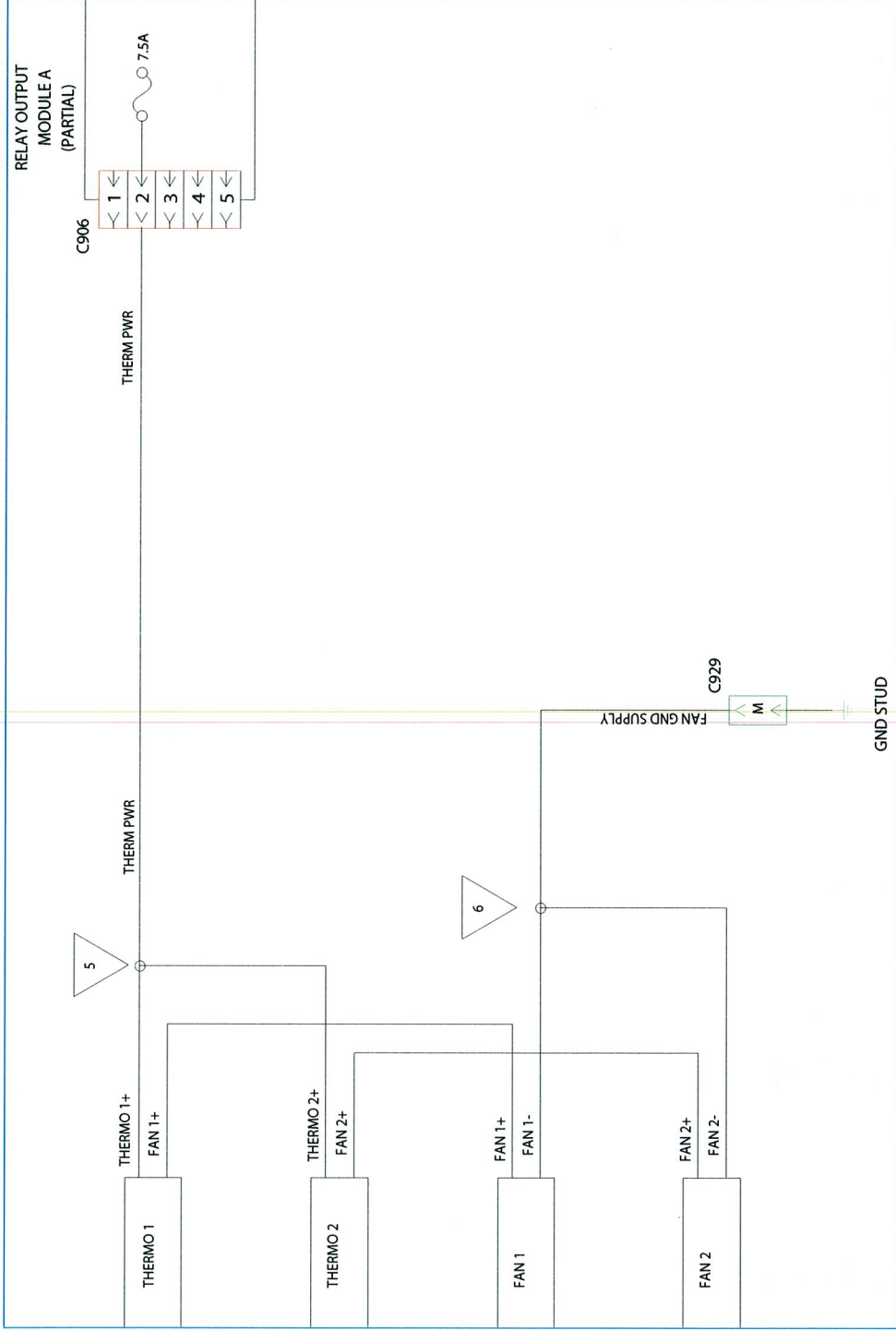
Wiring Schematic 0076135 - Musical Horn



Wiring Schematic 0076139 - Shade Control Power



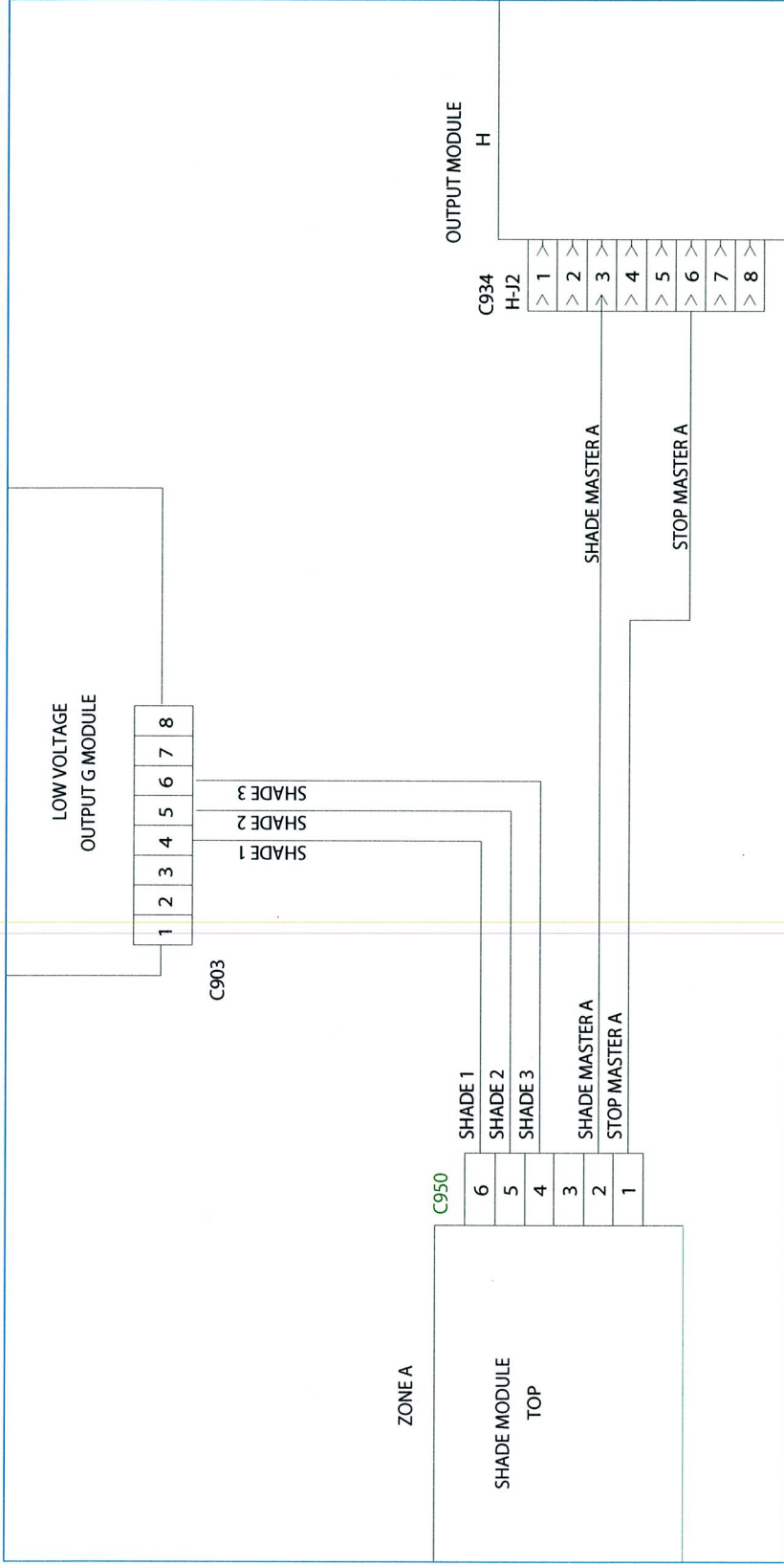
Wiring Schematic 0076142 - Therm / Fan Power



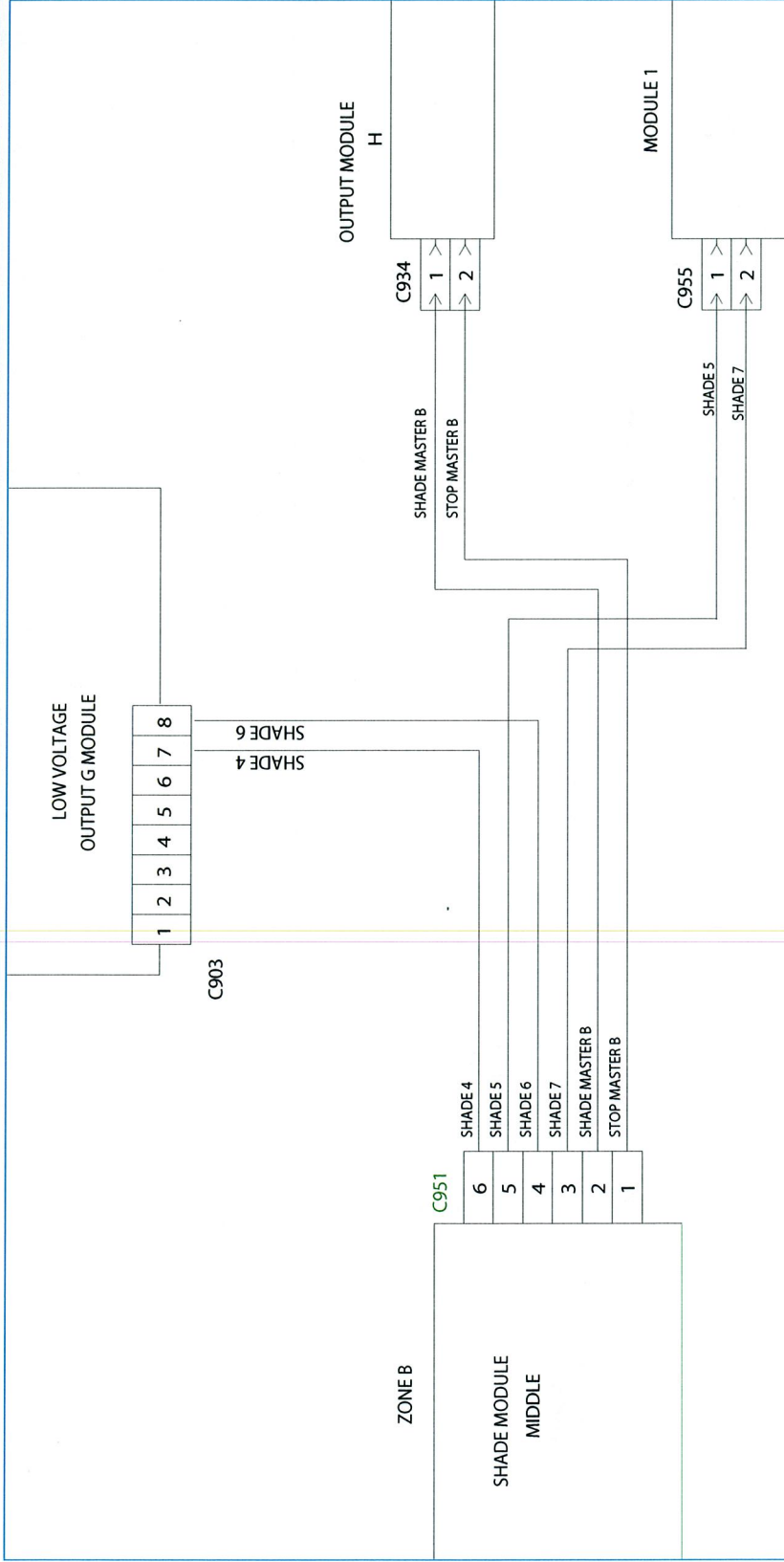
Wiring Schematic 0076143 - Air Compressor Power



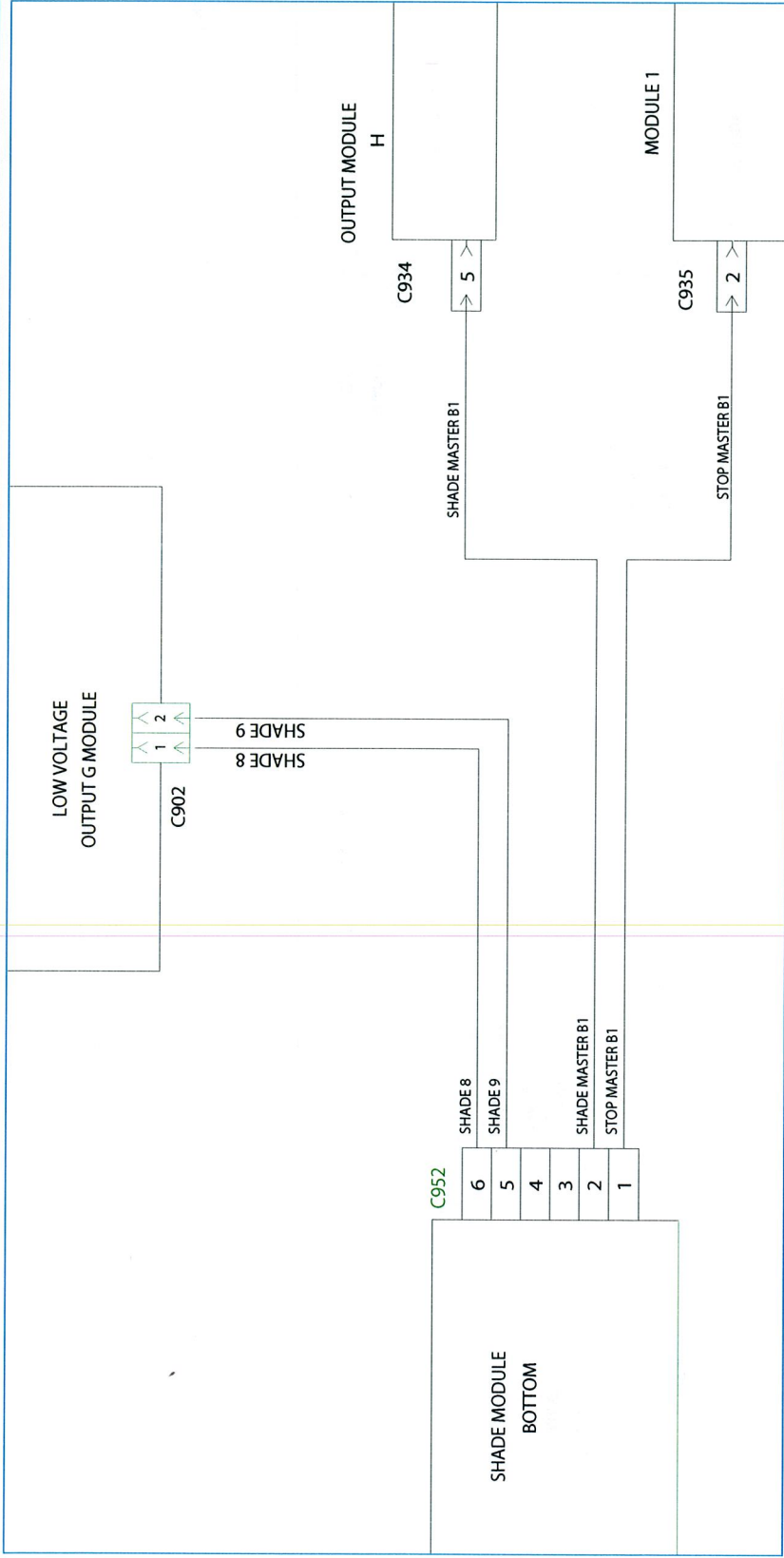
Wiring Schematic 0076144 - Shade In Zone A



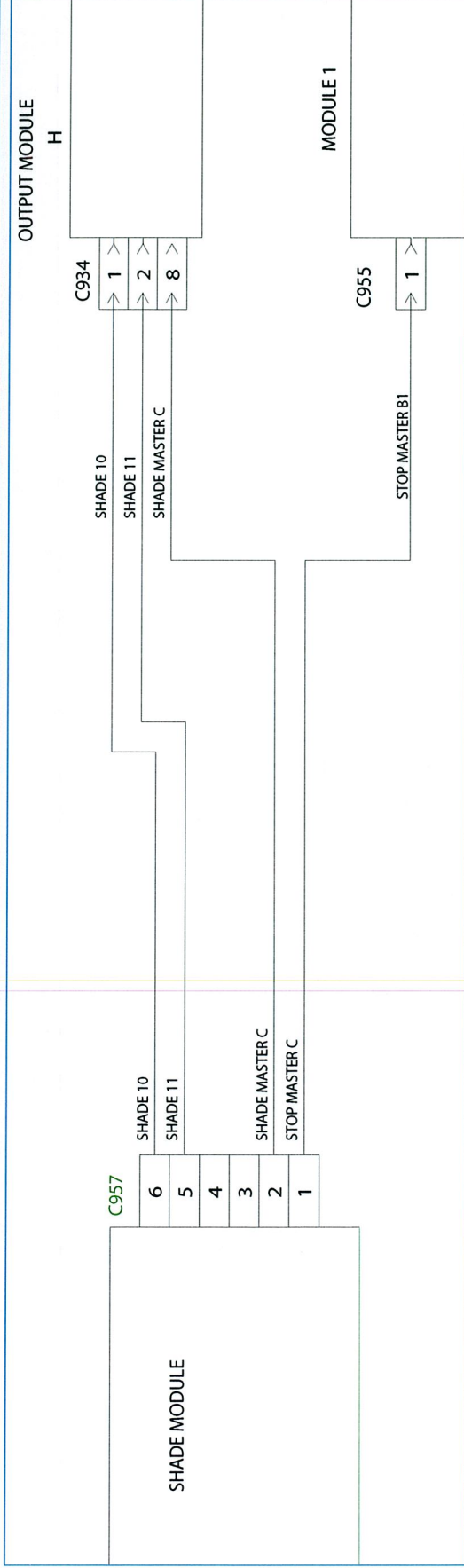
Wiring Schematic 0076145 - Shade In Zone B



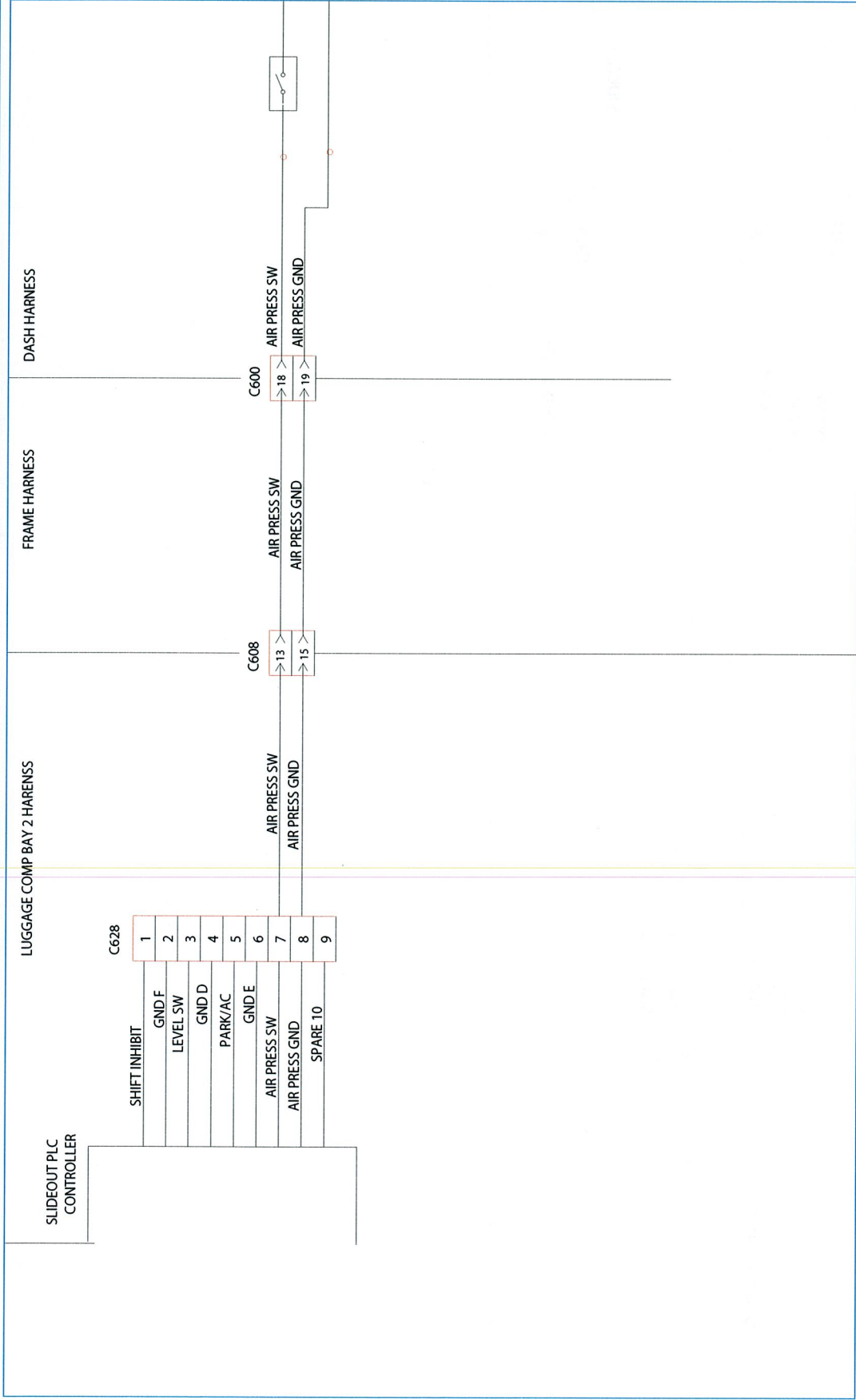
Wiring Schematic 0076146 - Shade In Zone B1



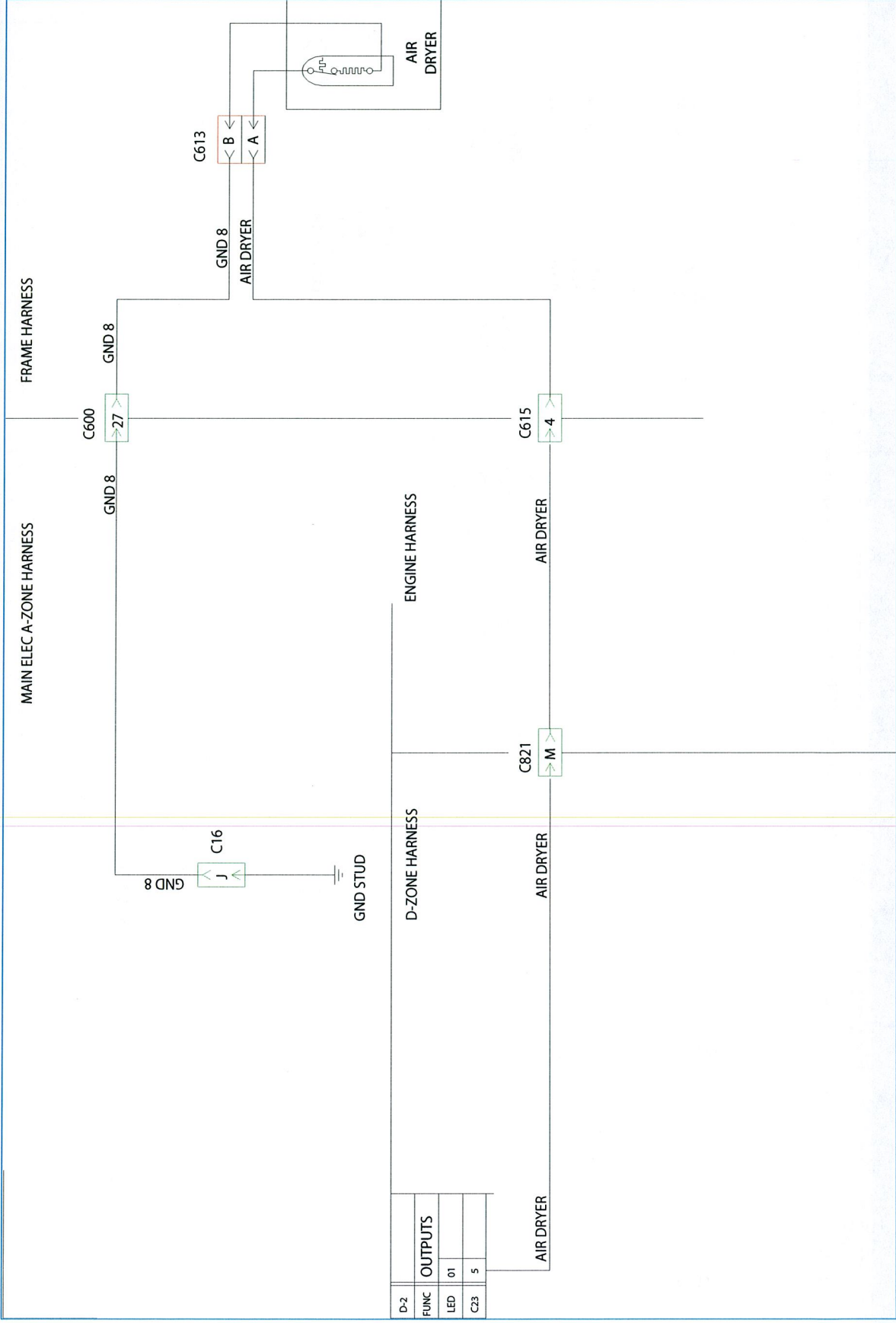
Wiring Schematic 0076147 - Shade In Zone C



Wiring Schematic 0076149 - Air Press Switch

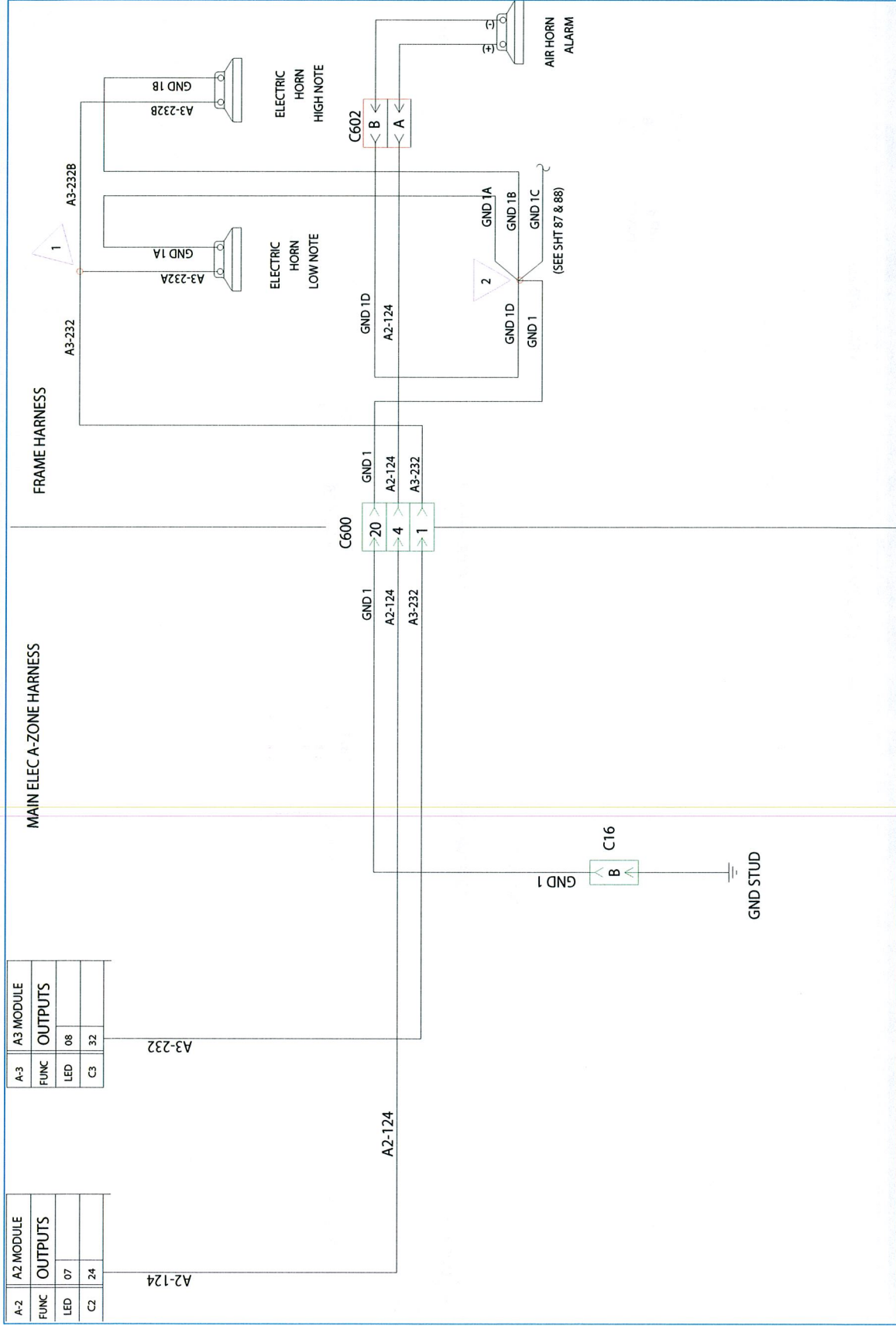


Wiring Schematic 0076152 - Air Dryer

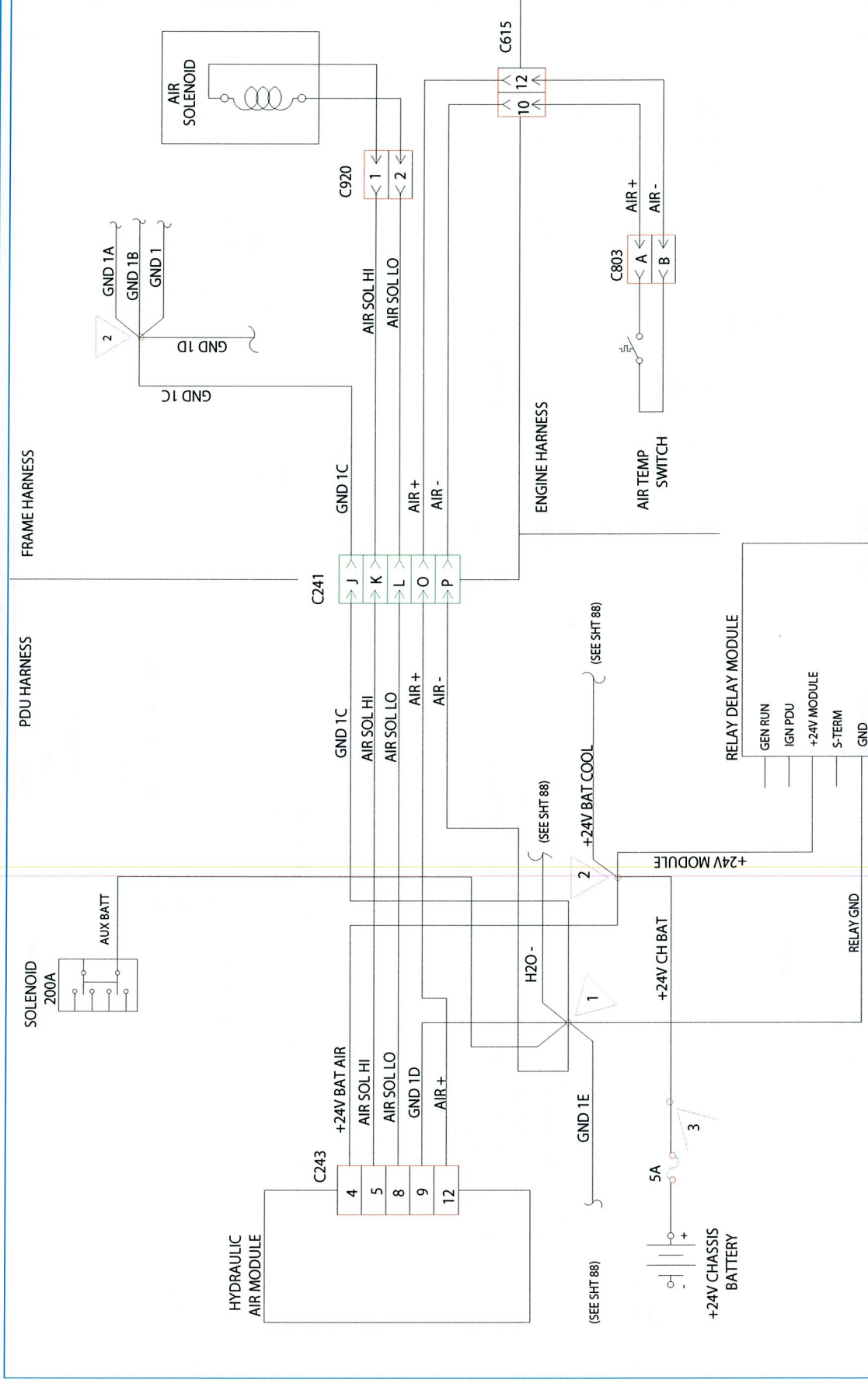


D-2	FUNC	OUTPUTS
	LED	01
	C23	5

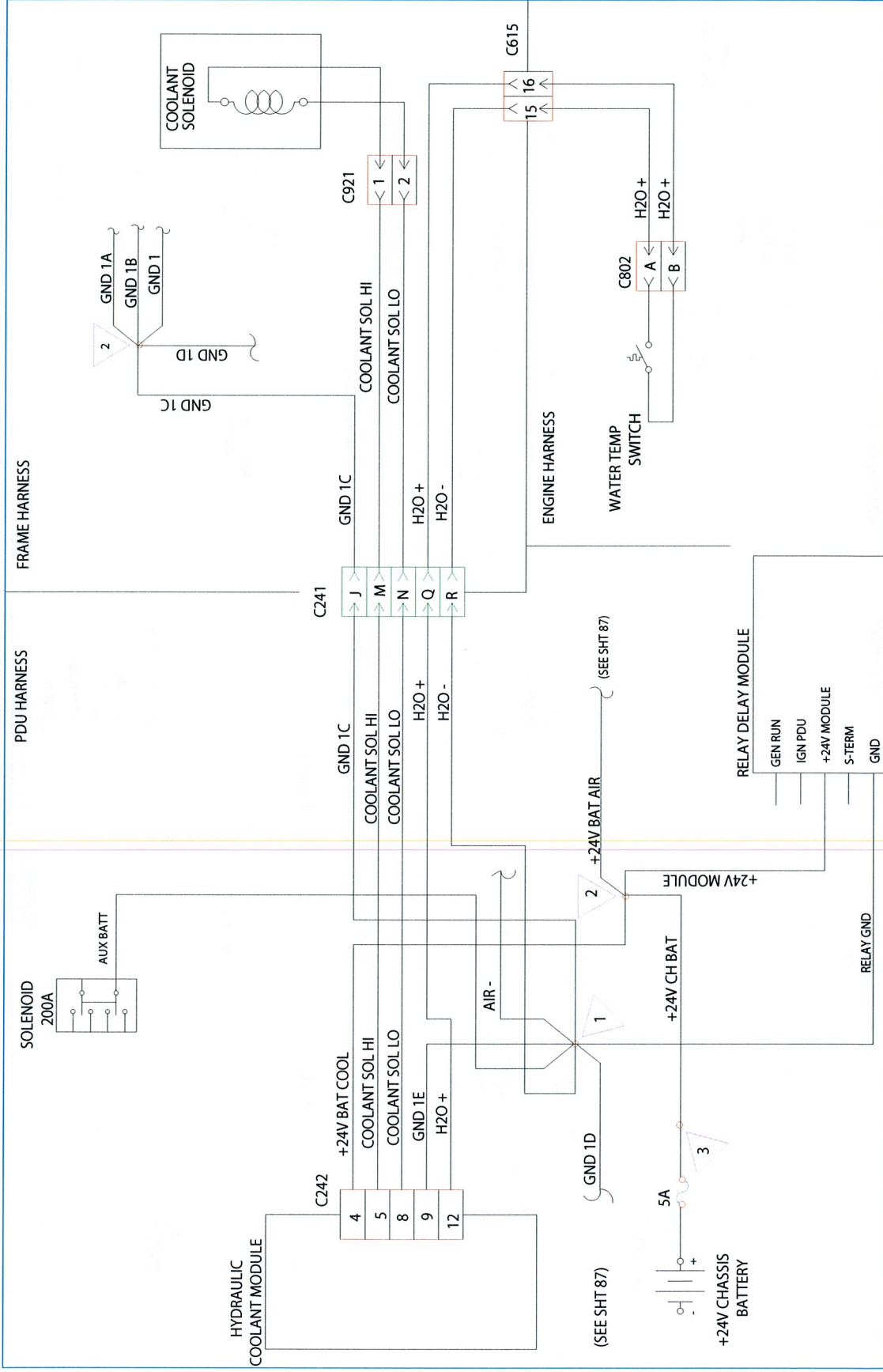
Wiring Schematic 0076166 - Air Horn, Electric Horn



Wiring Schematic 0076167 - Air Solenoid

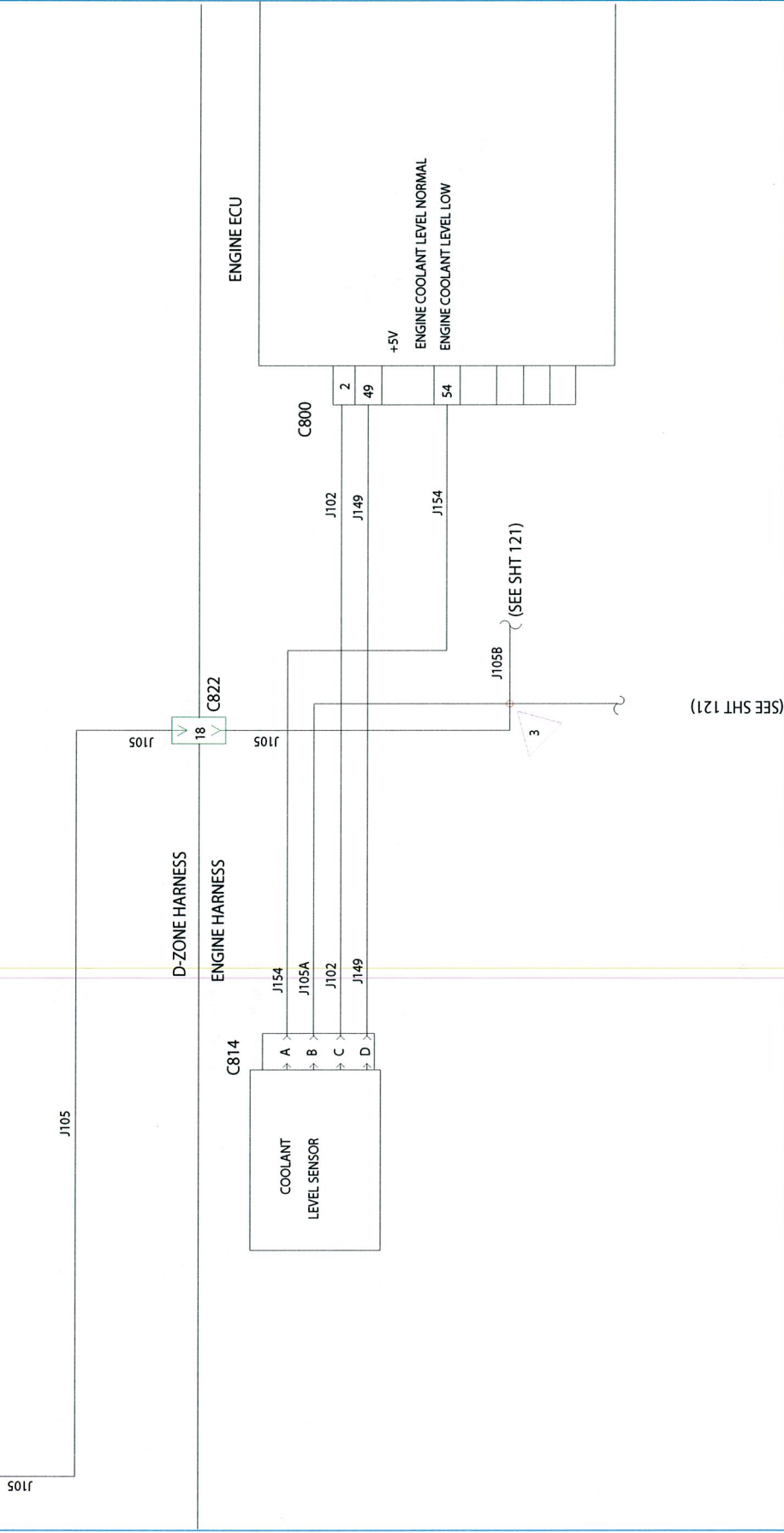


Wiring Schematic 0076175 - Coolant Solenoid



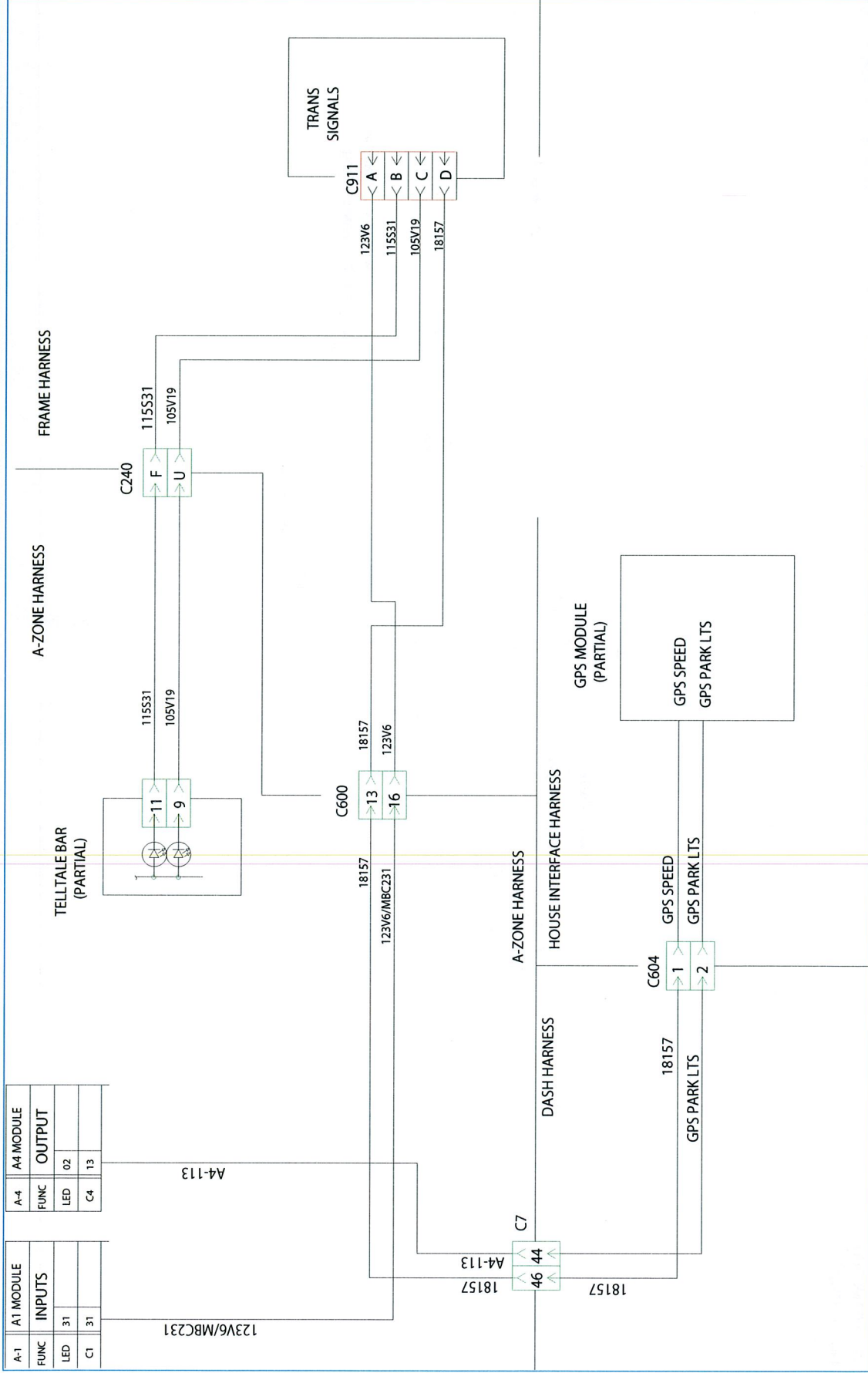
Wiring Schematic 0076178 - Throttle, Coolant, Level Sensor

D-3 MODULE	
FUNC	OUTPUTS
LED	01
C29	5



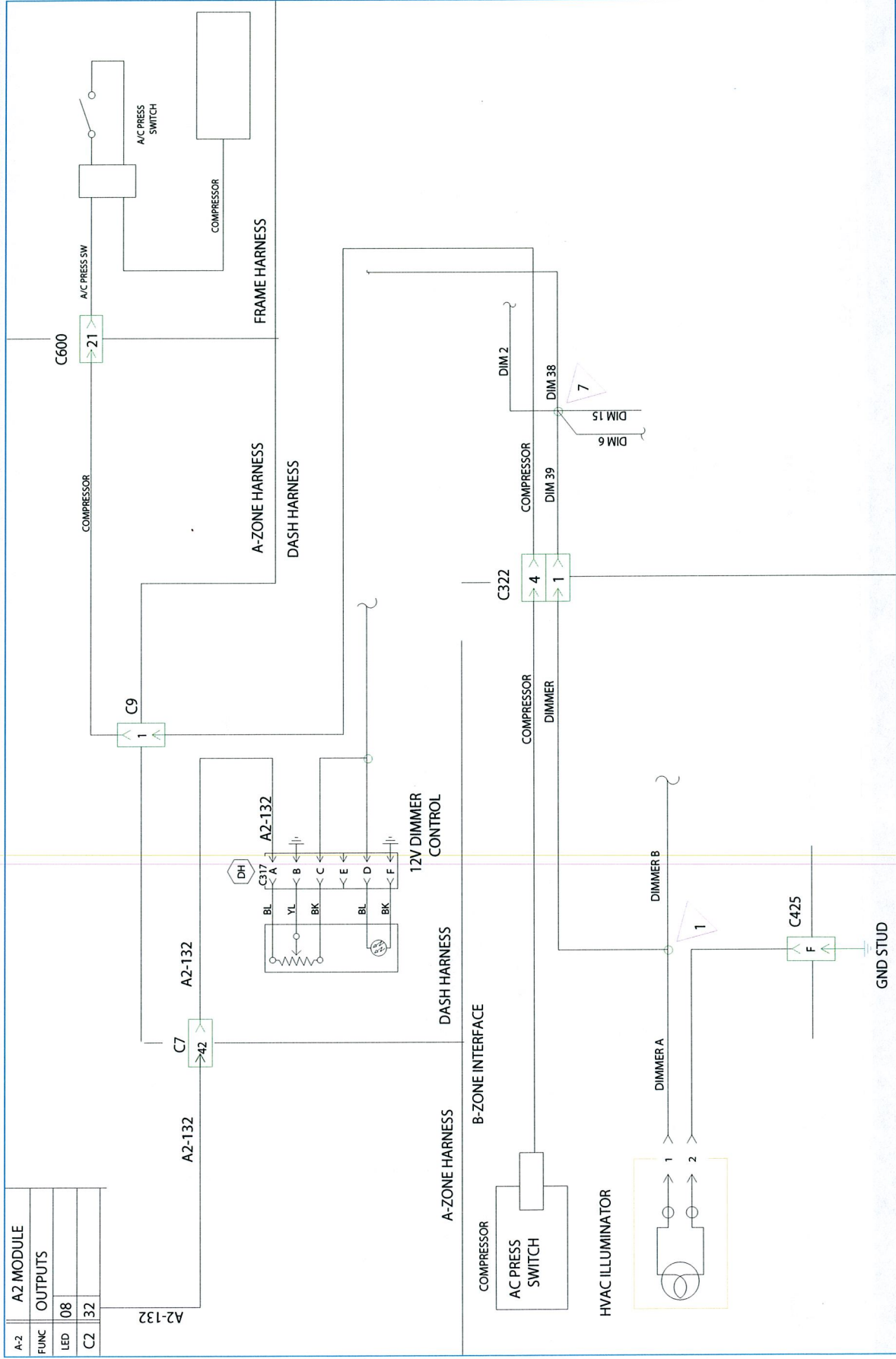
(SEE SHT 121)

Wiring Schematic 0076190 - Transmission Signals

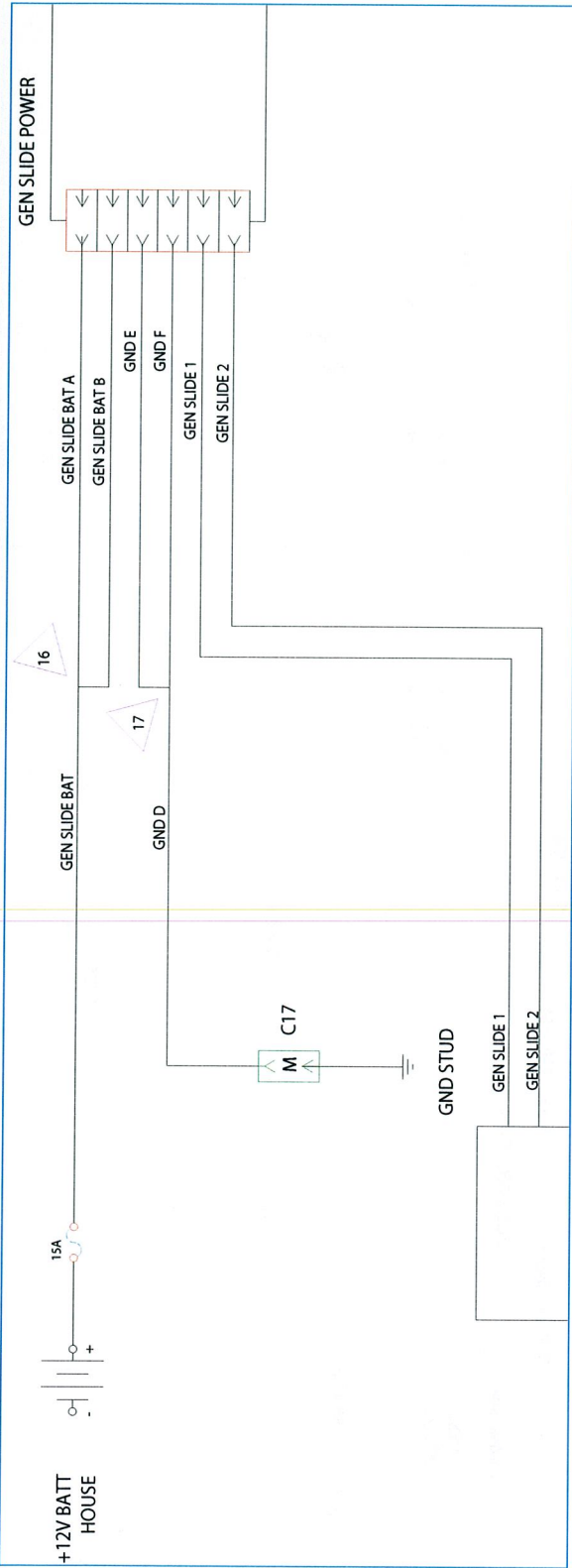


Wiring Schematic 0076194 - HVAC Illuminator

A-2	A2 MODULE
FUNC	OUTPUTS
LED	08
C2	32

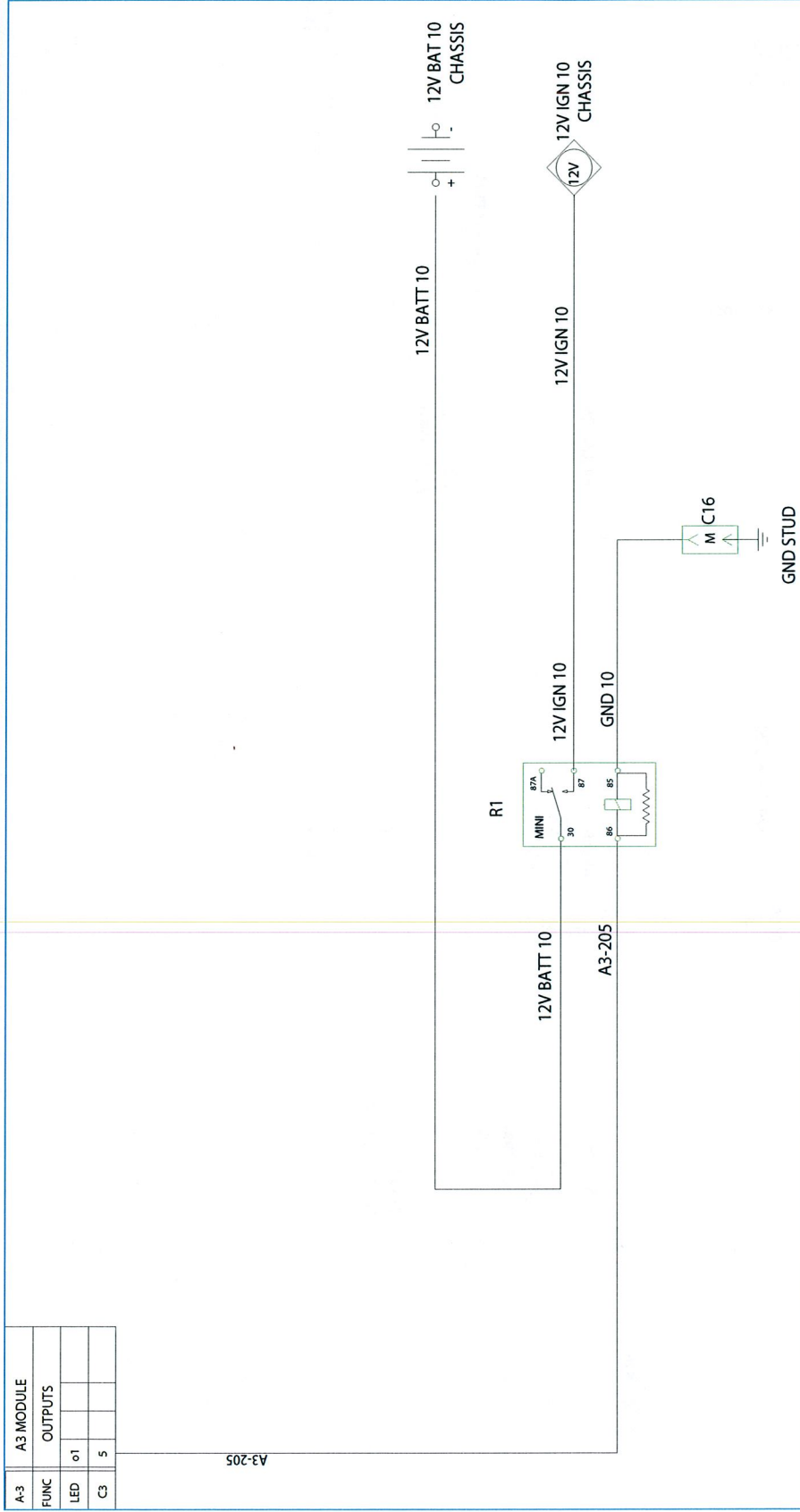


Wiring Schematic 0076200 - Gen Slide Power

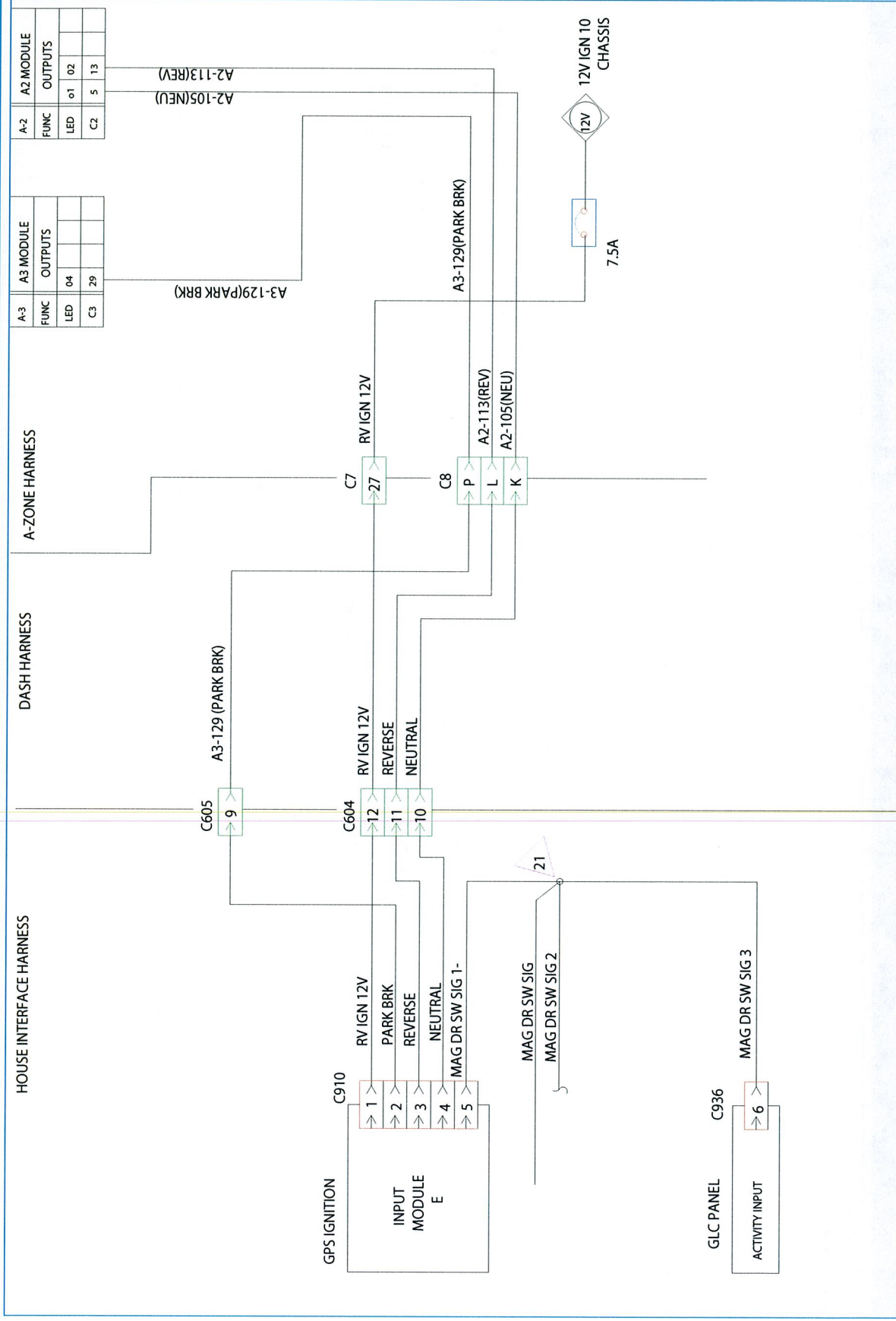


Wiring Schematic 0076203 - 12V Ignition Bus Power

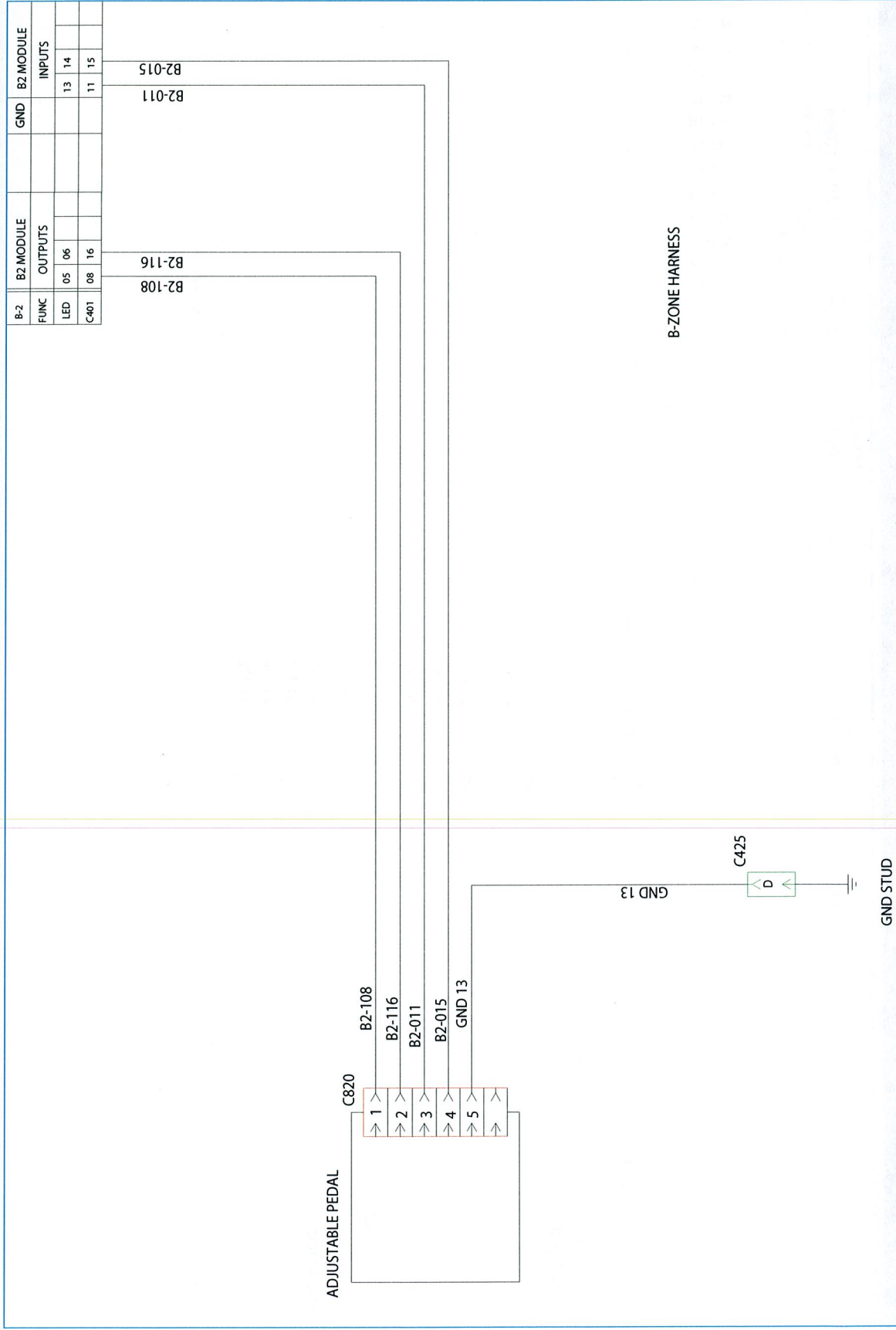
A-3	A3 MODULE
FUNC	OUTPUTS
LED	o1
CS	5



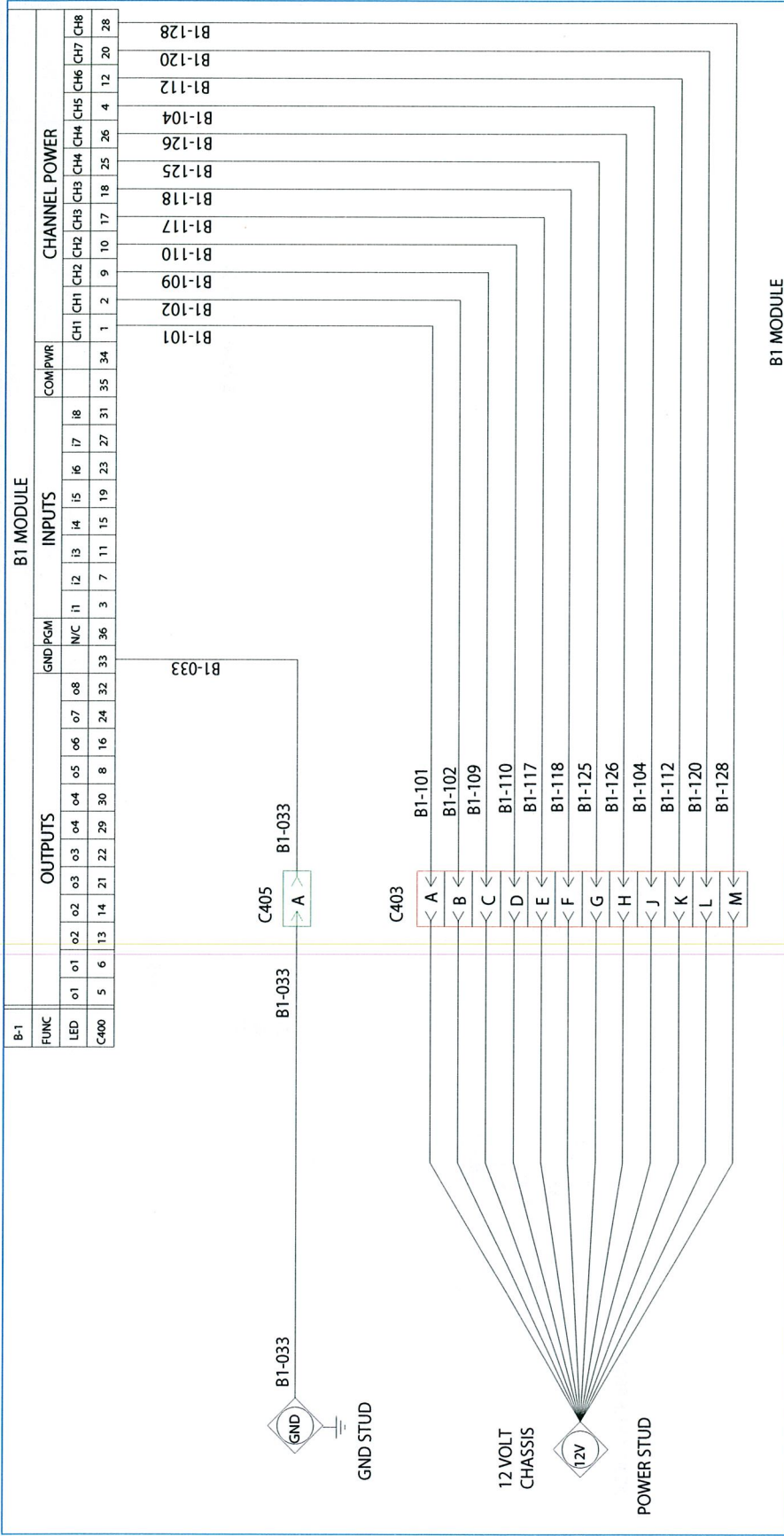
Wiring Schematic 0076204 - RV Ignition 12V Power



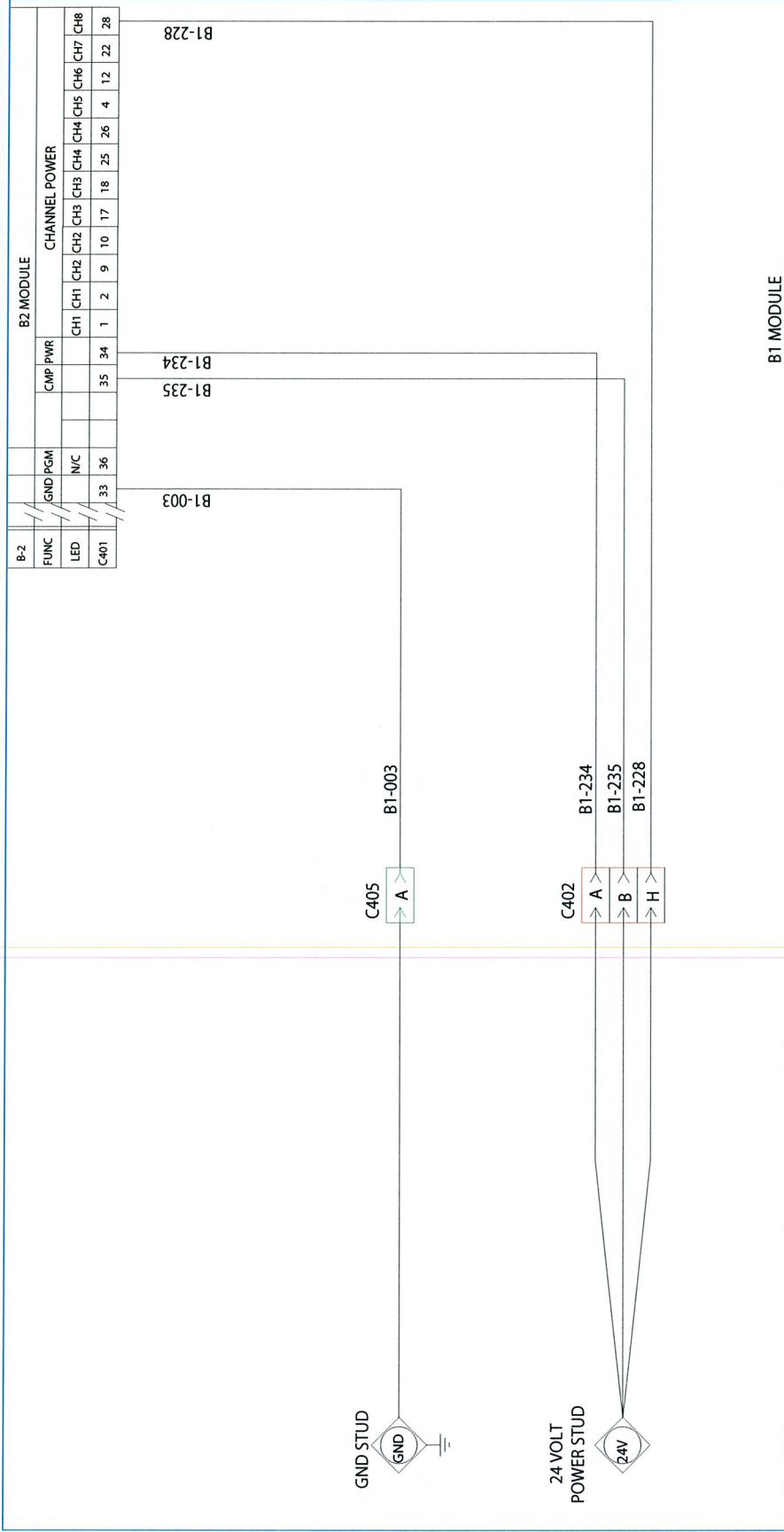
Wiring Schematic 0076265 - Adjustable Pedal, Multiplex



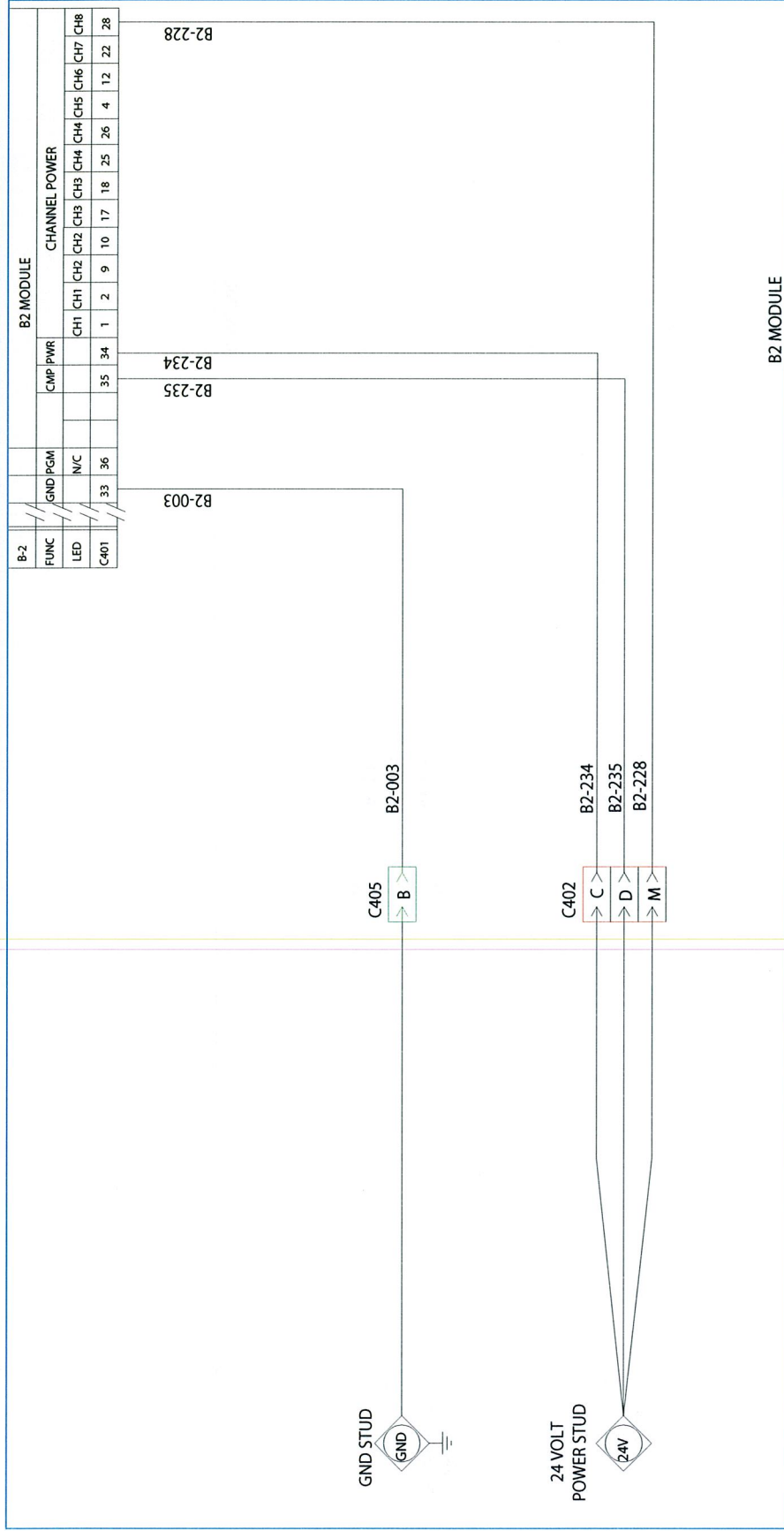
Wiring Schematic 0076291 - 12V, B1 Multiplex Power



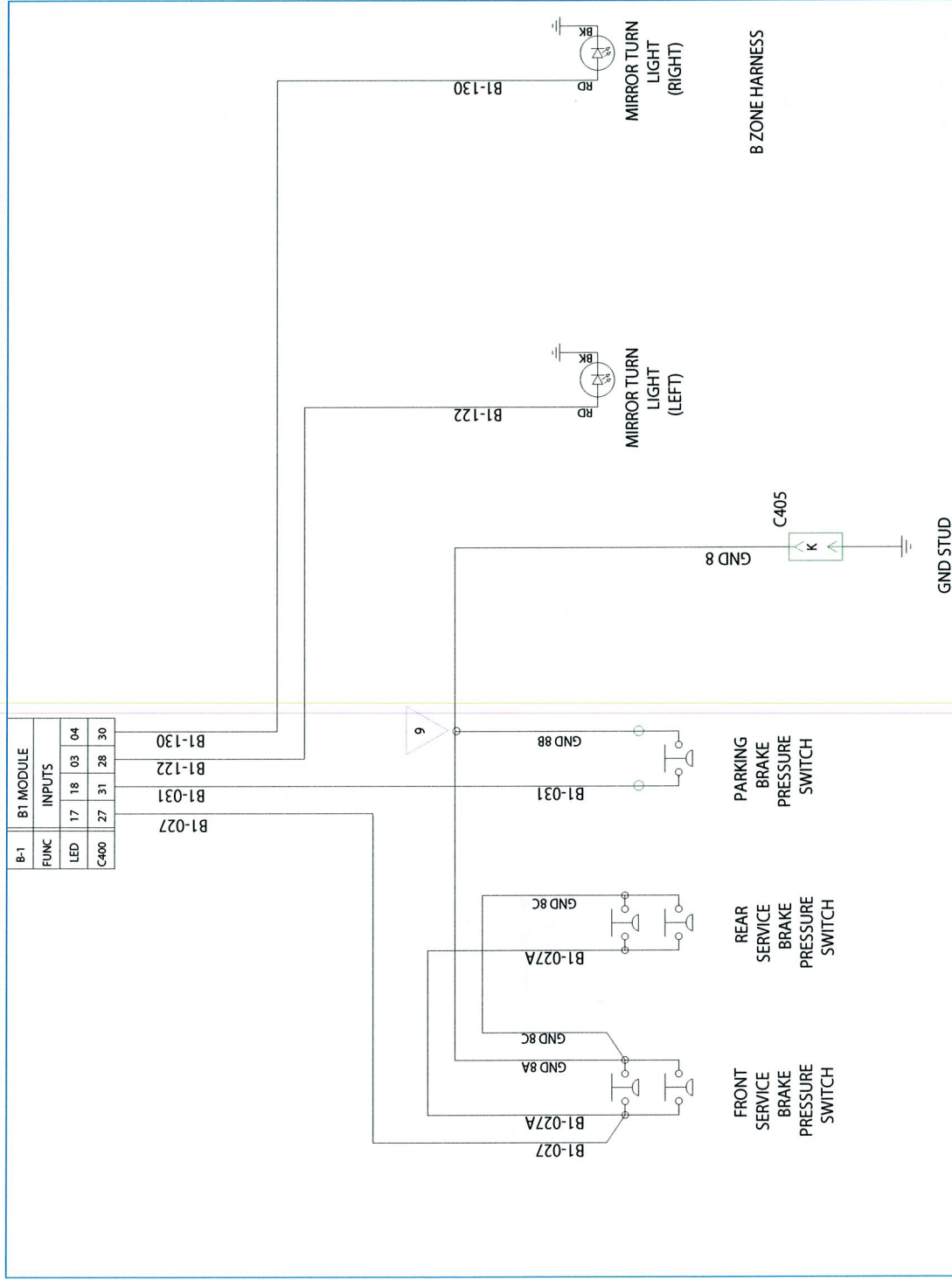
Wiring Schematic 0076295 - 24V, B1 Multiplex Power



Wiring Schematic 0076299 - 24V, B2 Multiplex Power

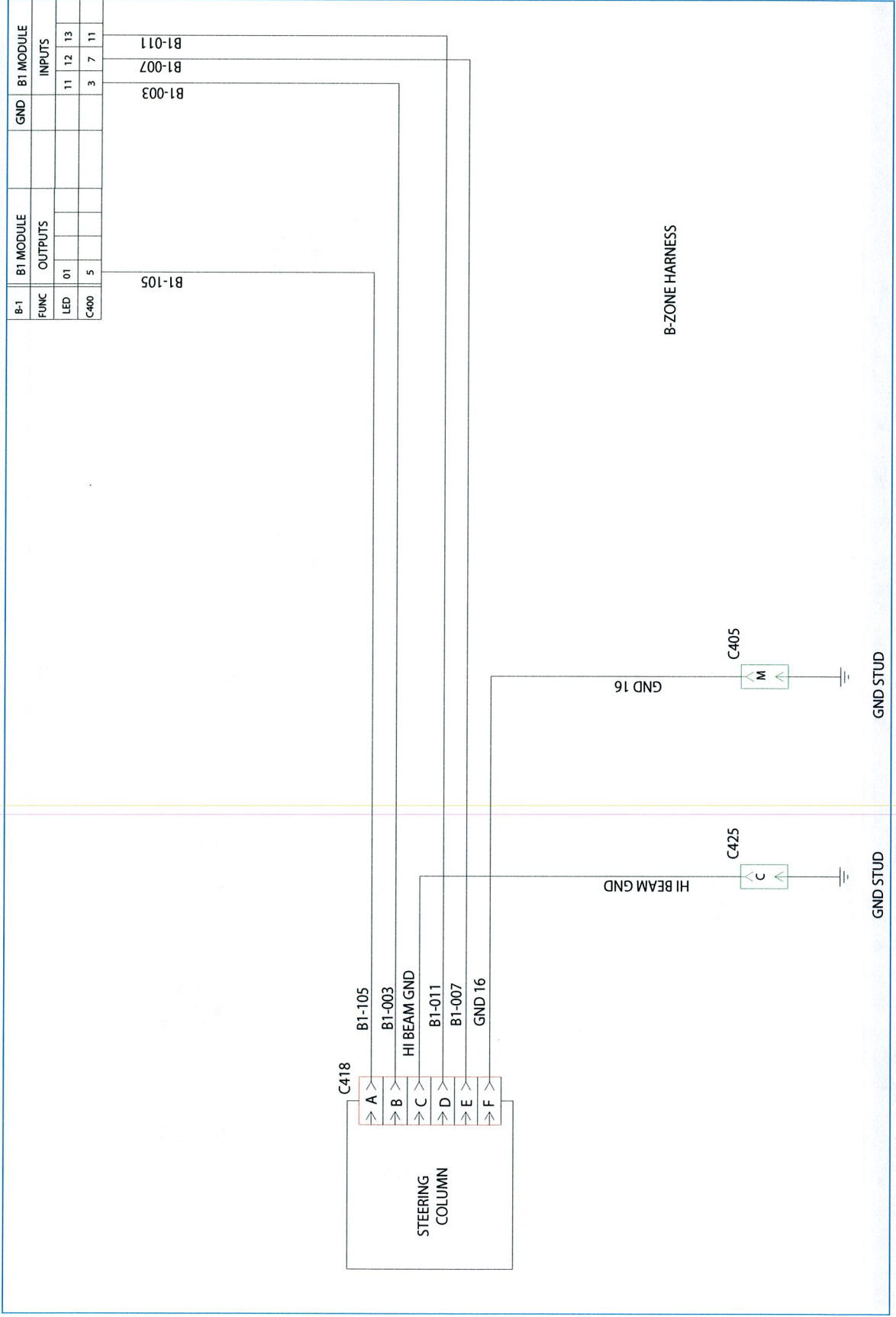


Wiring Schematic 0076351 - Service Brake, Park Brake

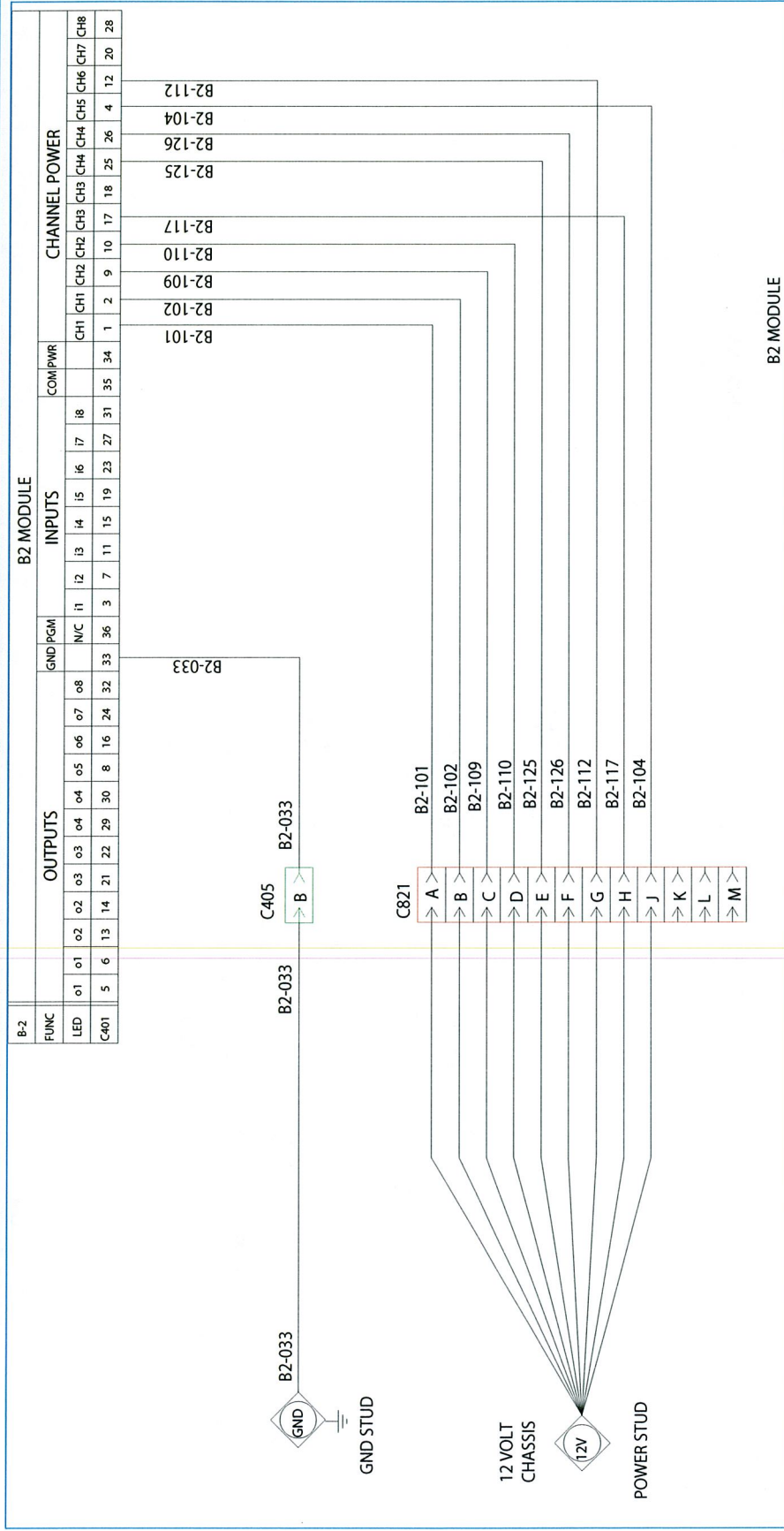


B-1	B1 MODULE
FUNC	INPUTS
LED	17 18 03 04
C400	27 31 28 30

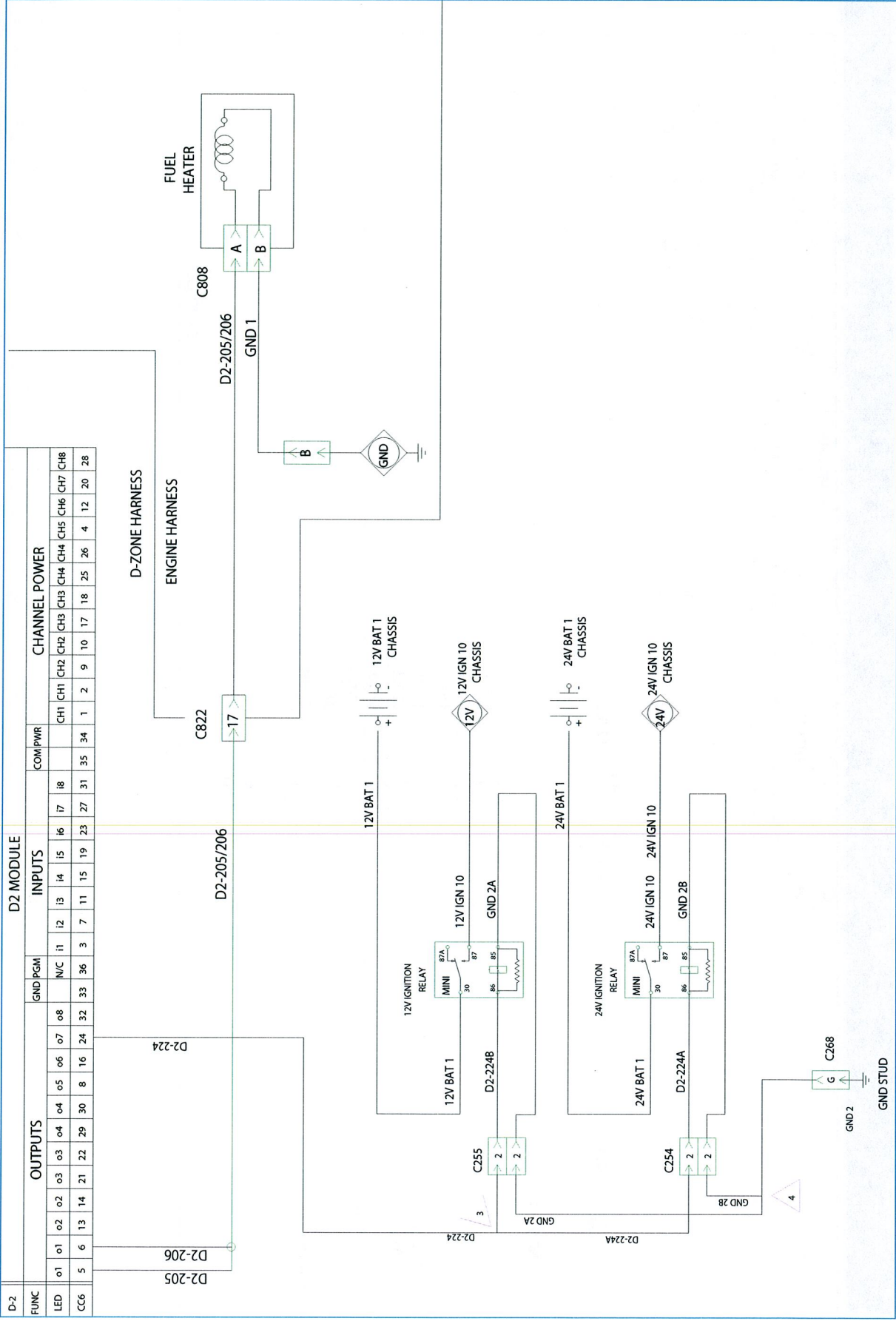
Wiring Schematic 0076290 - Steering Column, Multiplex



Wiring Schematic 0076293 - 12V, B2 Multiplex Power

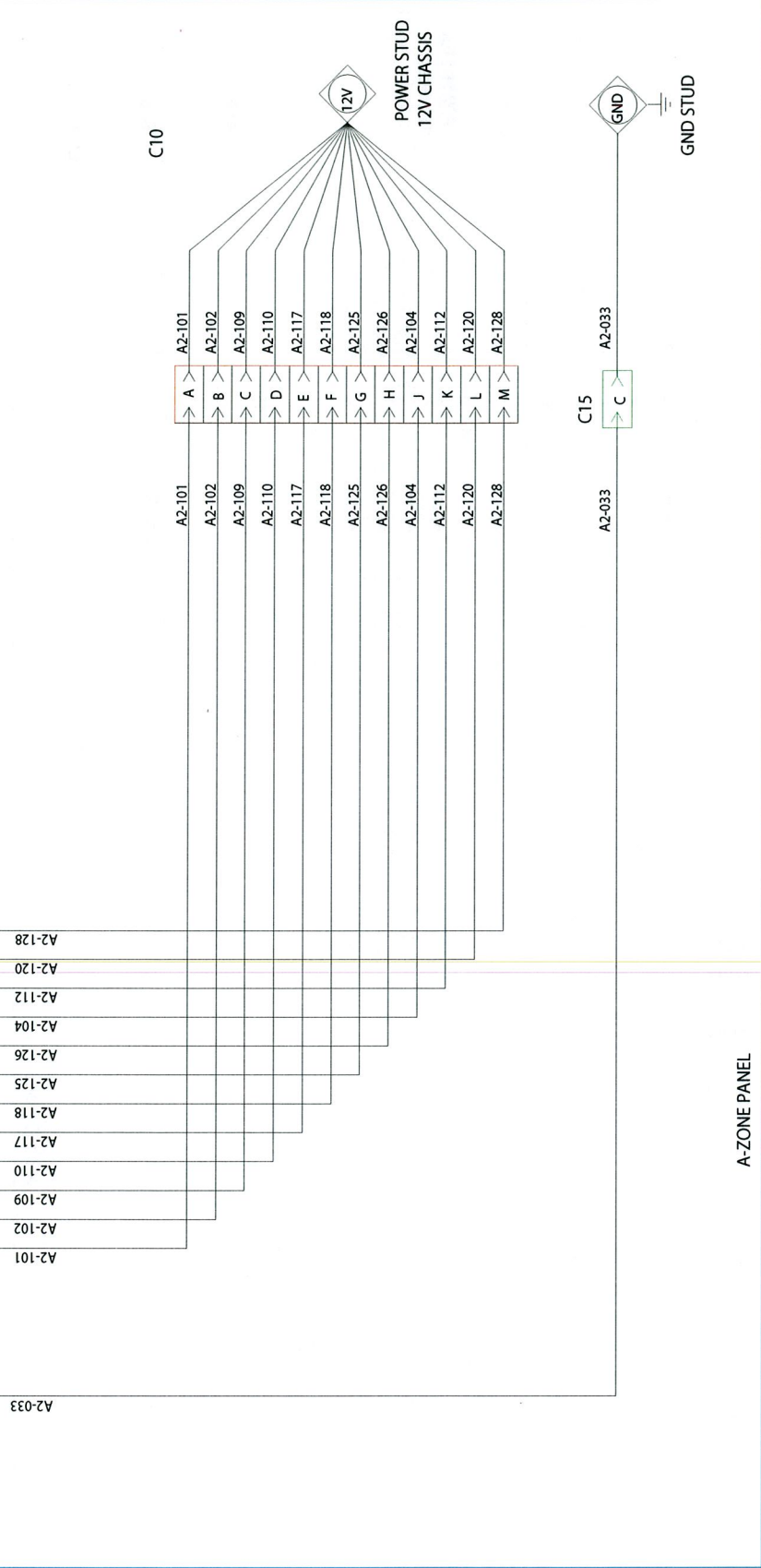


Wiring Schematic 0076353 - Fuel Heat



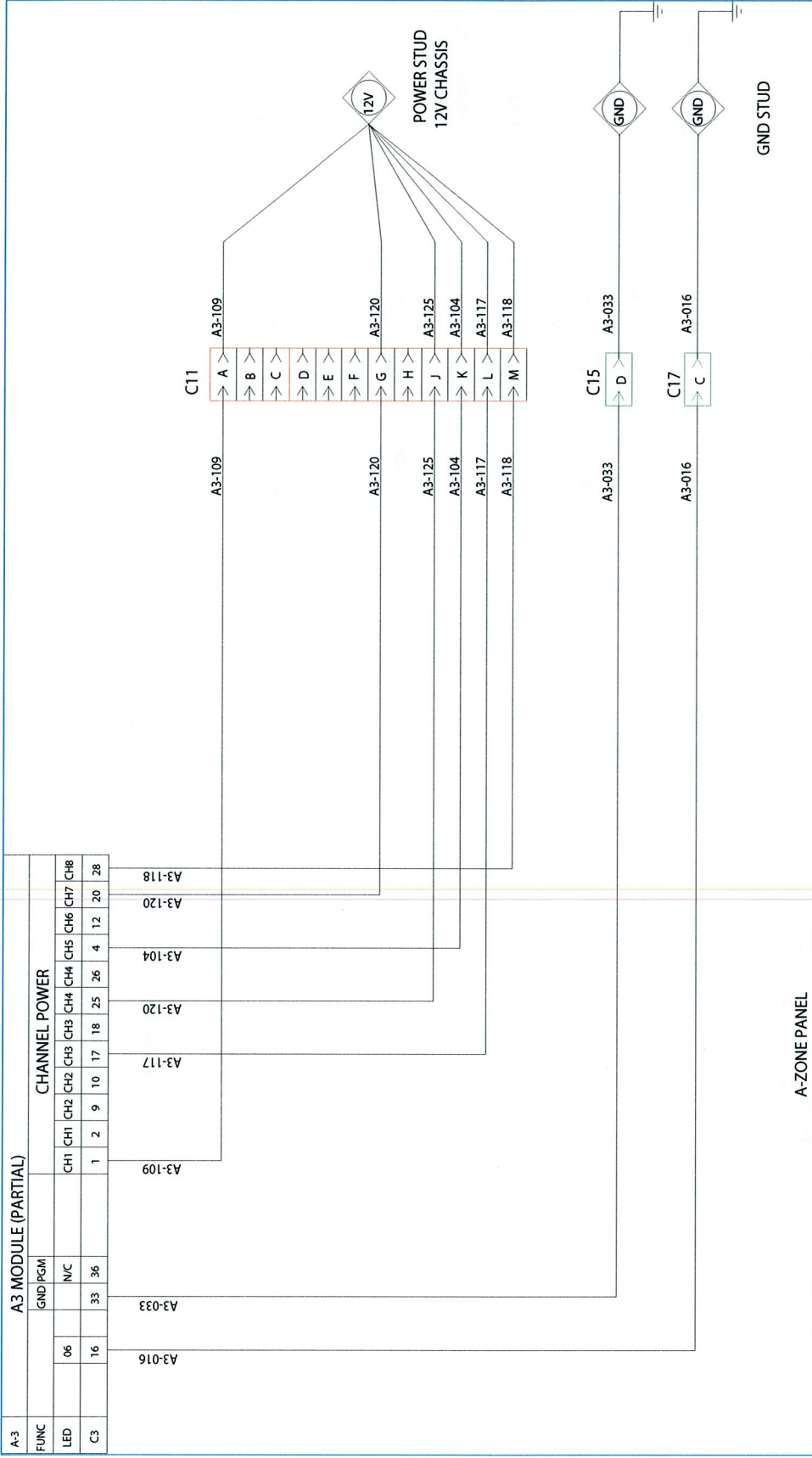
Wiring Schematic 0076432 - 12V Channel Power, A2 Module

A2 MODULE (PARTIAL)		CHANNEL POWER																			
FUNC	GND PGM	CH1	CH2	CH3	CH4	CH5	CH6	CH7	CH8												
LED	N/C	1	2	9	10	17	18	25	26	4	12	20	28								
C2	33	36																			

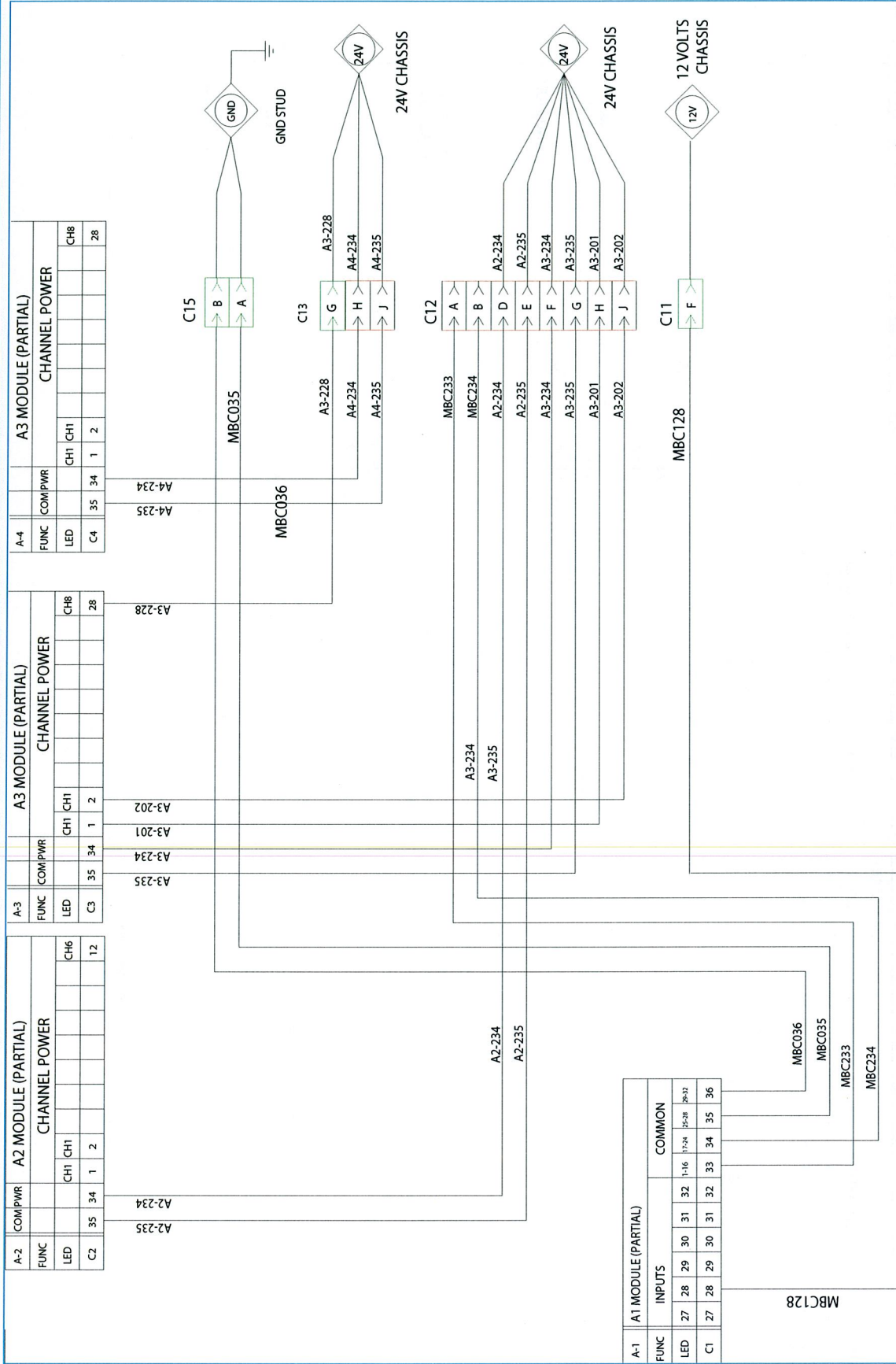


A-ZONE PANEL

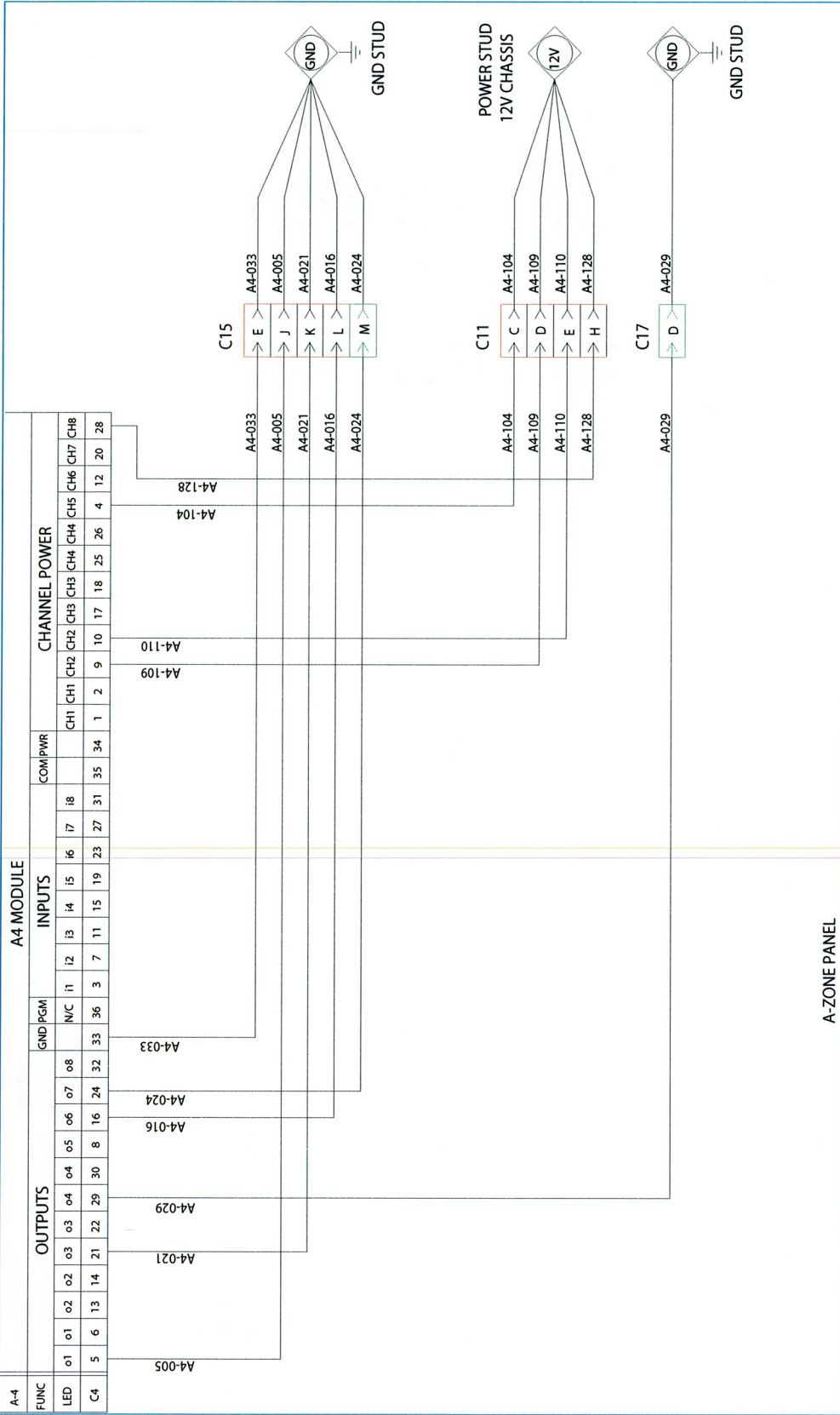
Wiring Schematic 0076434 - 12V Channel Power, A3 Module



Wiring Schematic 0076442 - 24V Common Power, A2 Module

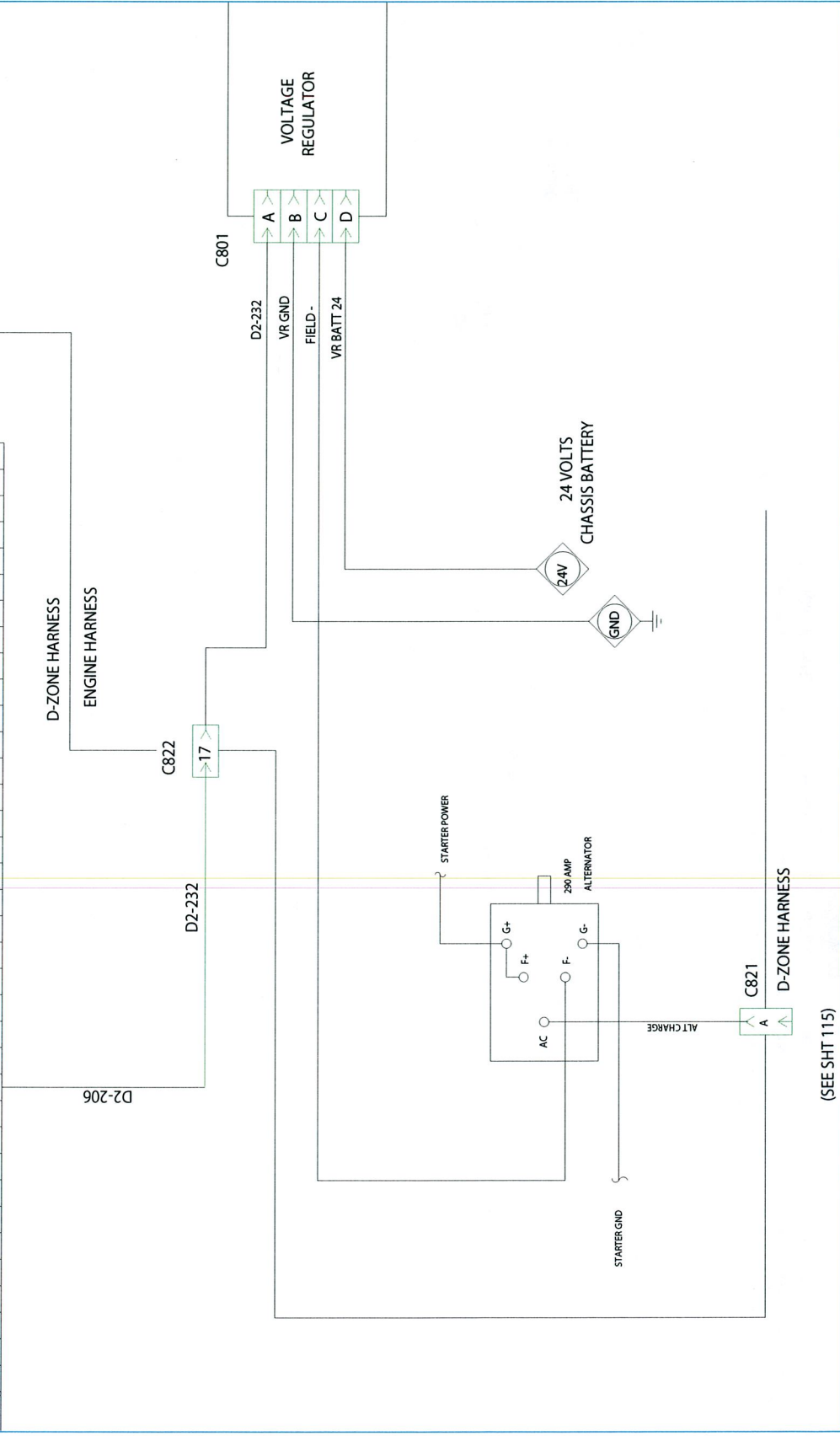


Wiring Schematic 0076440 - 12V Channel / Ground Output A4 Module



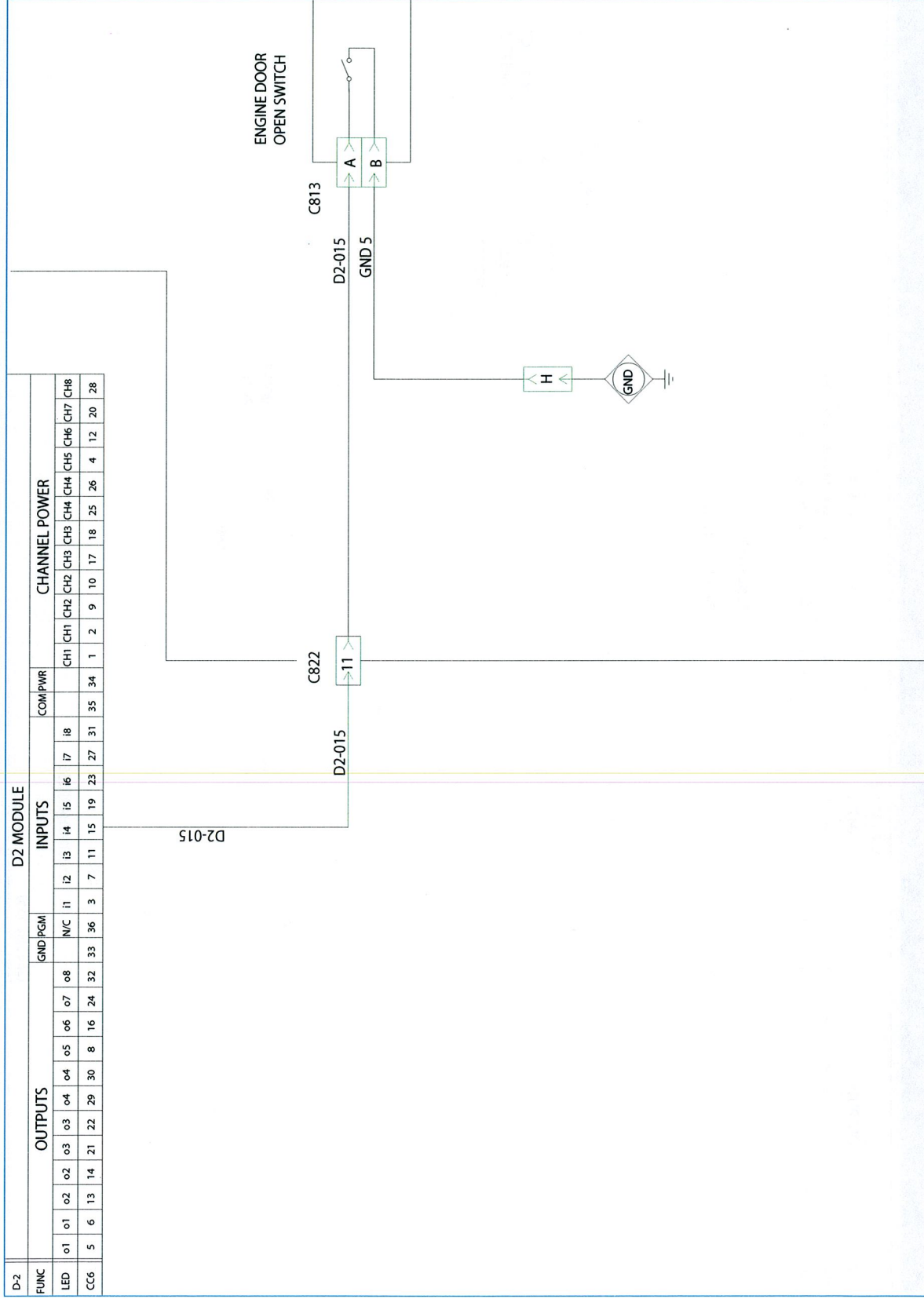
Wiring Schematic 0076459 - Voltage Regulator

D-2		D2 MODULE								CHANNEL POWER																										
FUNC	LED	OUTPUTS				GND/PGM				INPUTS				COMP/PWR																						
		01	02	03	04	05	06	07	08	09	10	11	12	13	14	15	16	17	18	19	20	21	22	23	24	25	26	27	28							
CC6	5	6	13	14	21	22	29	30	8	16	24	32	33	36	3	7	11	15	19	23	27	31	35	34	1	2	9	10	17	18	25	26	4	12	20	28



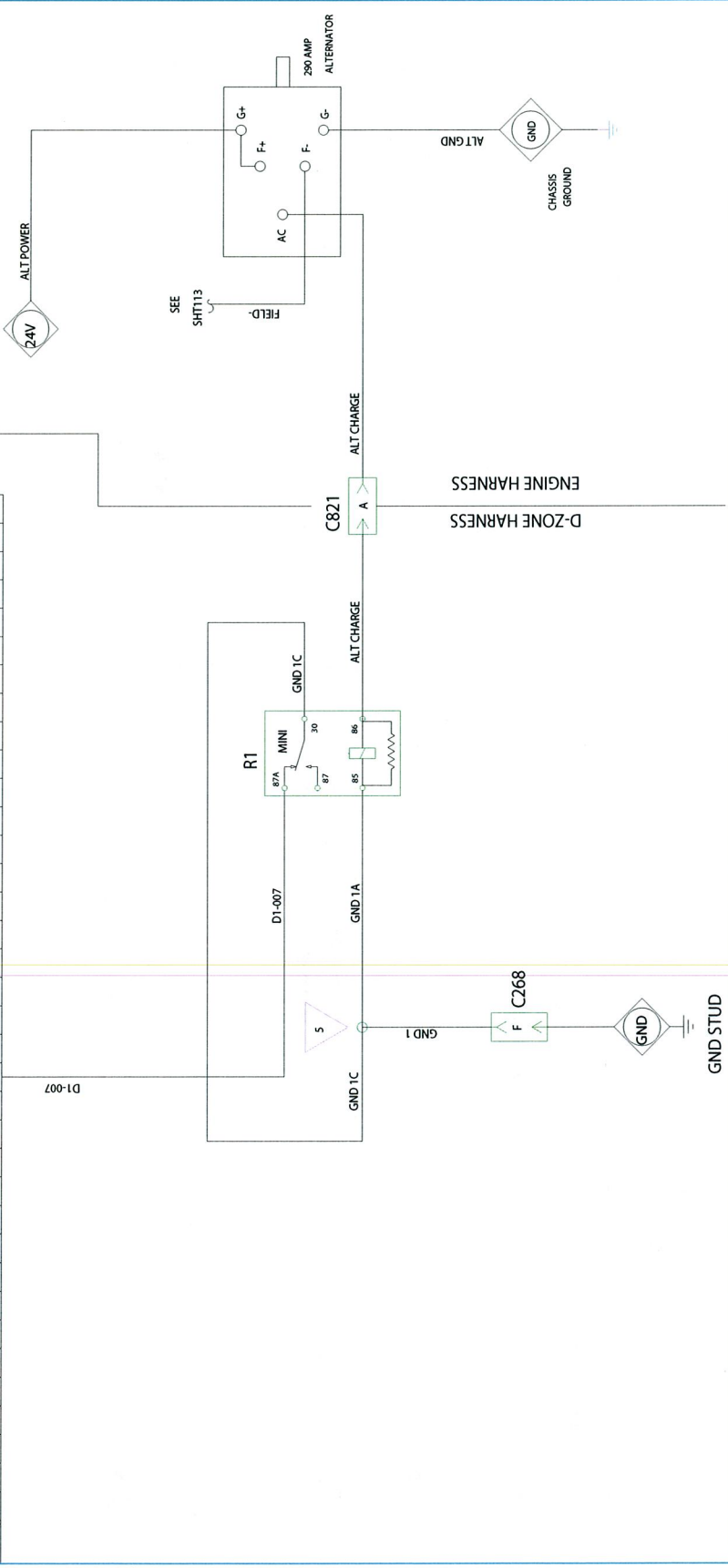
(SEE SHT 115)

Wiring Schematic 0075425 - Engine Door Open Switch



Wiring Schematic 0076481 - Alternator Charge

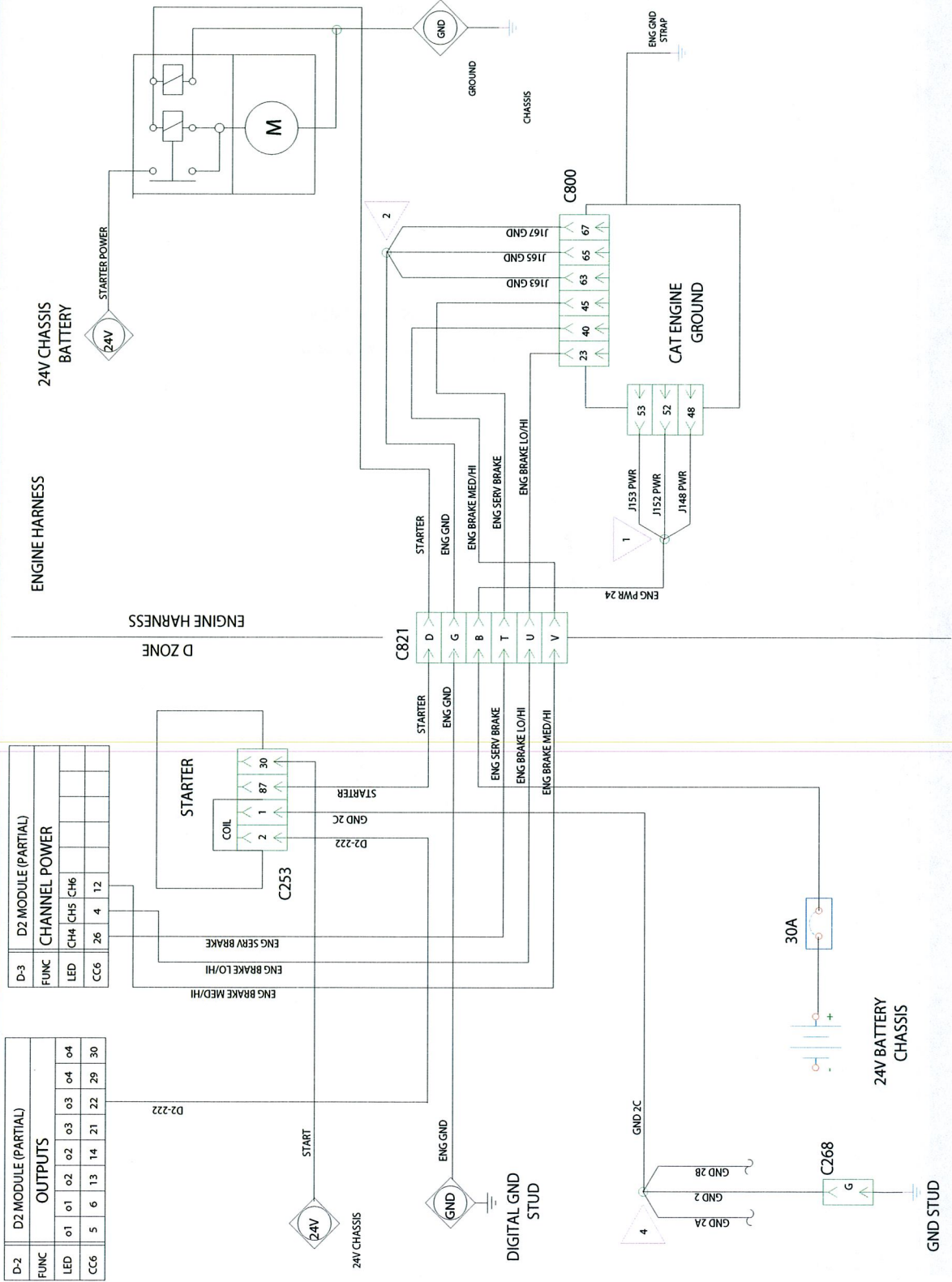
D-1	D1 MODULE																																			
	OUTPUTS								CHANNEL POWER																											
FUNC	01	02	03	04	05	06	07	08	COM/PWR																											
	01	02	03	04	05	06	07	08	11	12	13	14	15	16	17	18	19	20	21	22	23	24	25	26	27	28										
LED	01	02	03	04	05	06	07	08	N/C	11	12	13	14	15	16	17	18	19	20	21	22	23	24	25	26	27	28									
C22	5	6	13	14	21	22	29	30	8	16	24	32	33	36	3	7	11	15	19	23	27	31	35	34	1	2	9	10	17	18	25	26	4	12	20	28



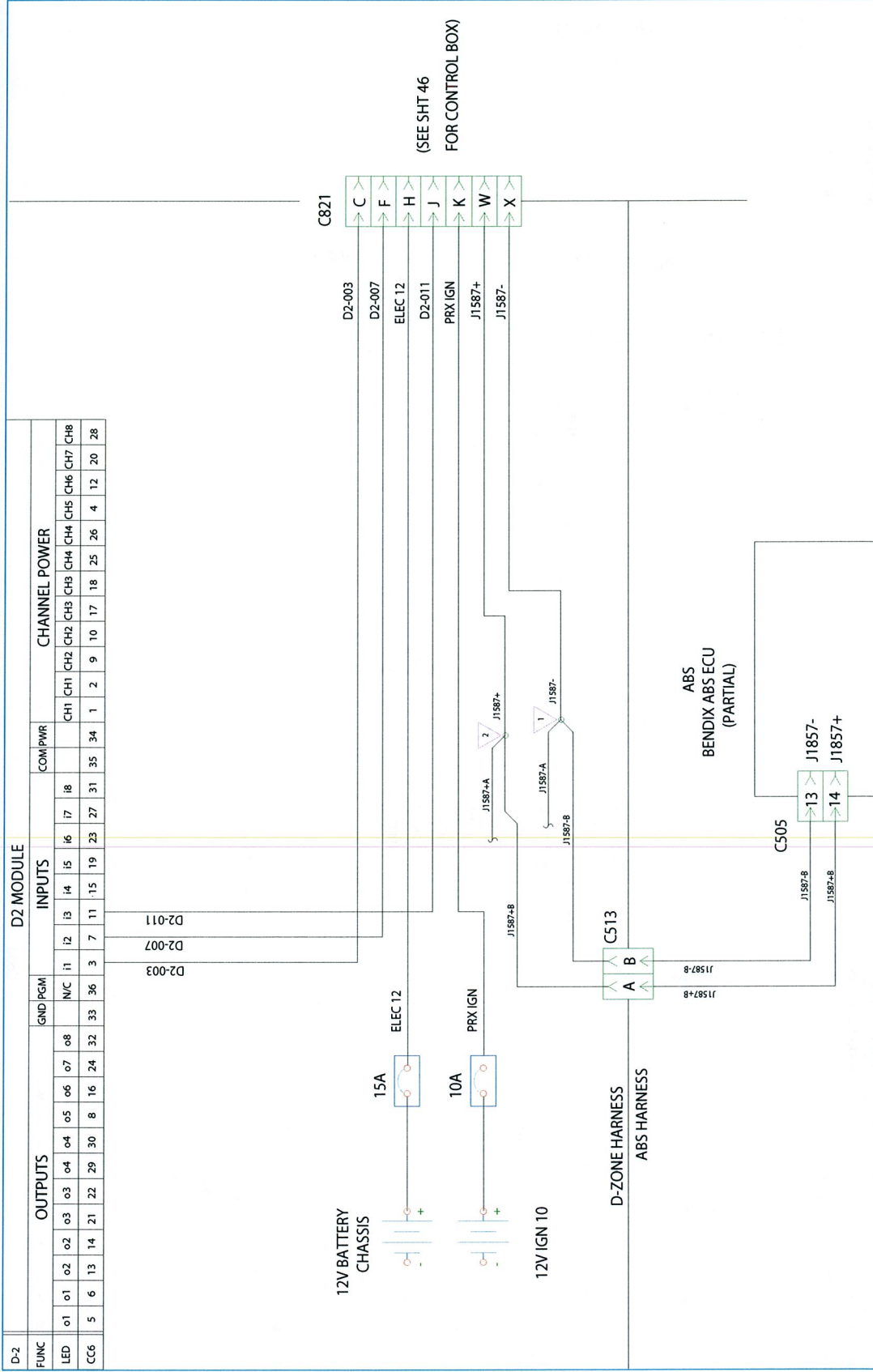
Wiring Schematic 0076485 - Starter Motor

D-2		D2 MODULE (PARTIAL)					
FUNC	LED	01	02	03	04	04	04
CC6	5	6	13	14	21	22	29
							30

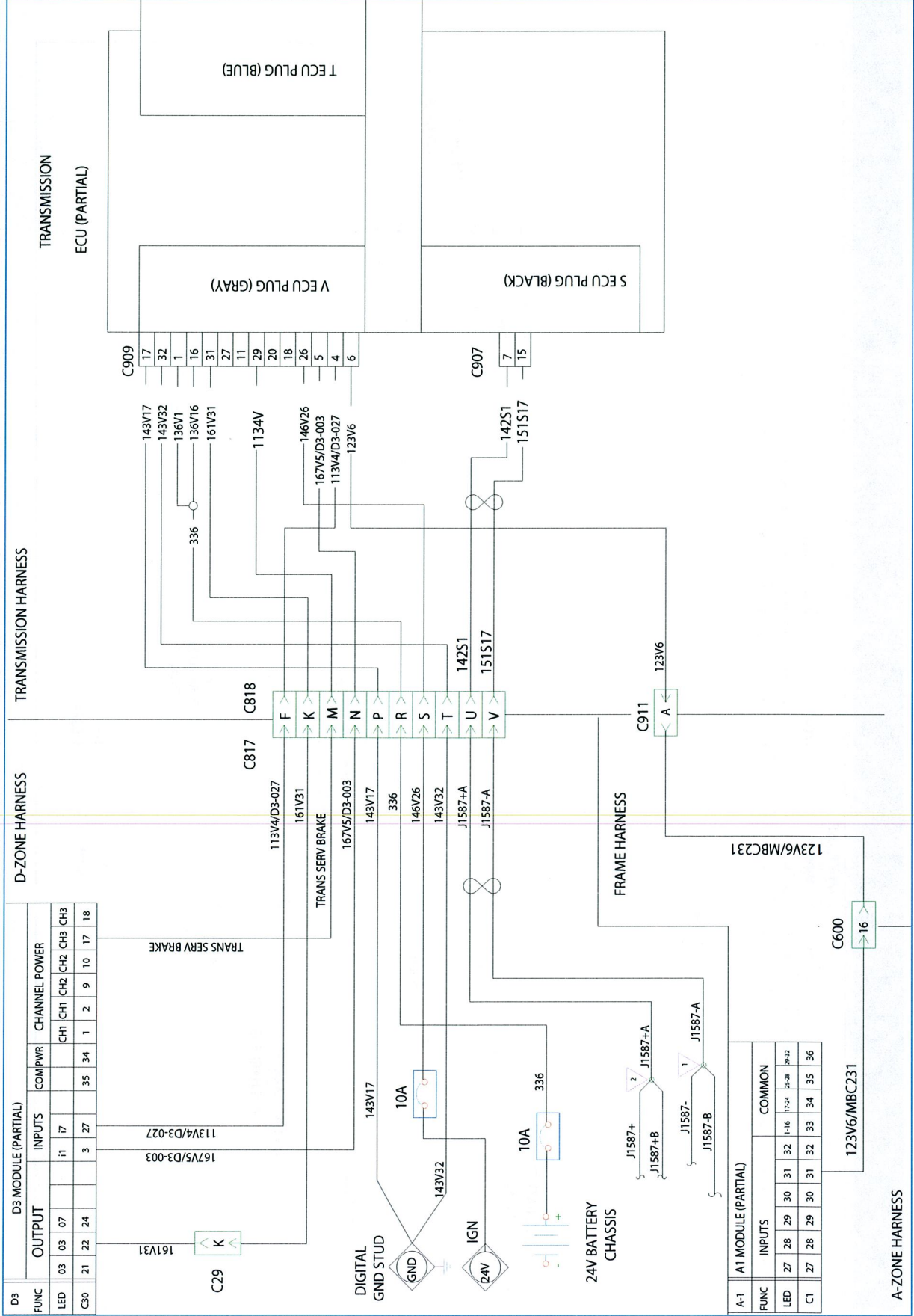
D-3		D2 MODULE (PARTIAL)		
FUNC	LED	CHANNEL POWER		
CH4	CH5	CH6		
CC6	26	4	12	



Wiring Schematic 0076500 - Engine Control Box Power

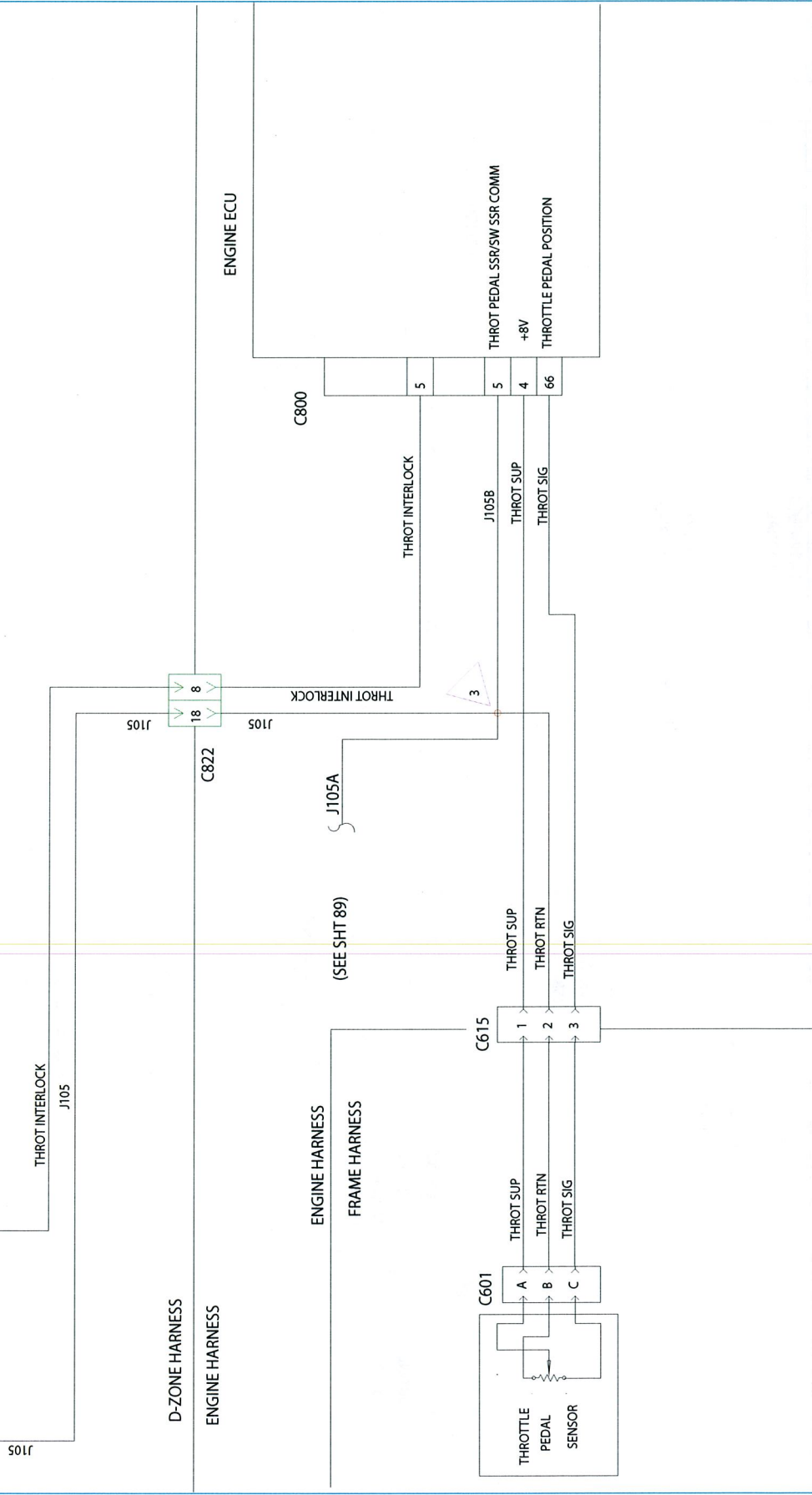


Wiring Schematic 0076502 - Transmission Power

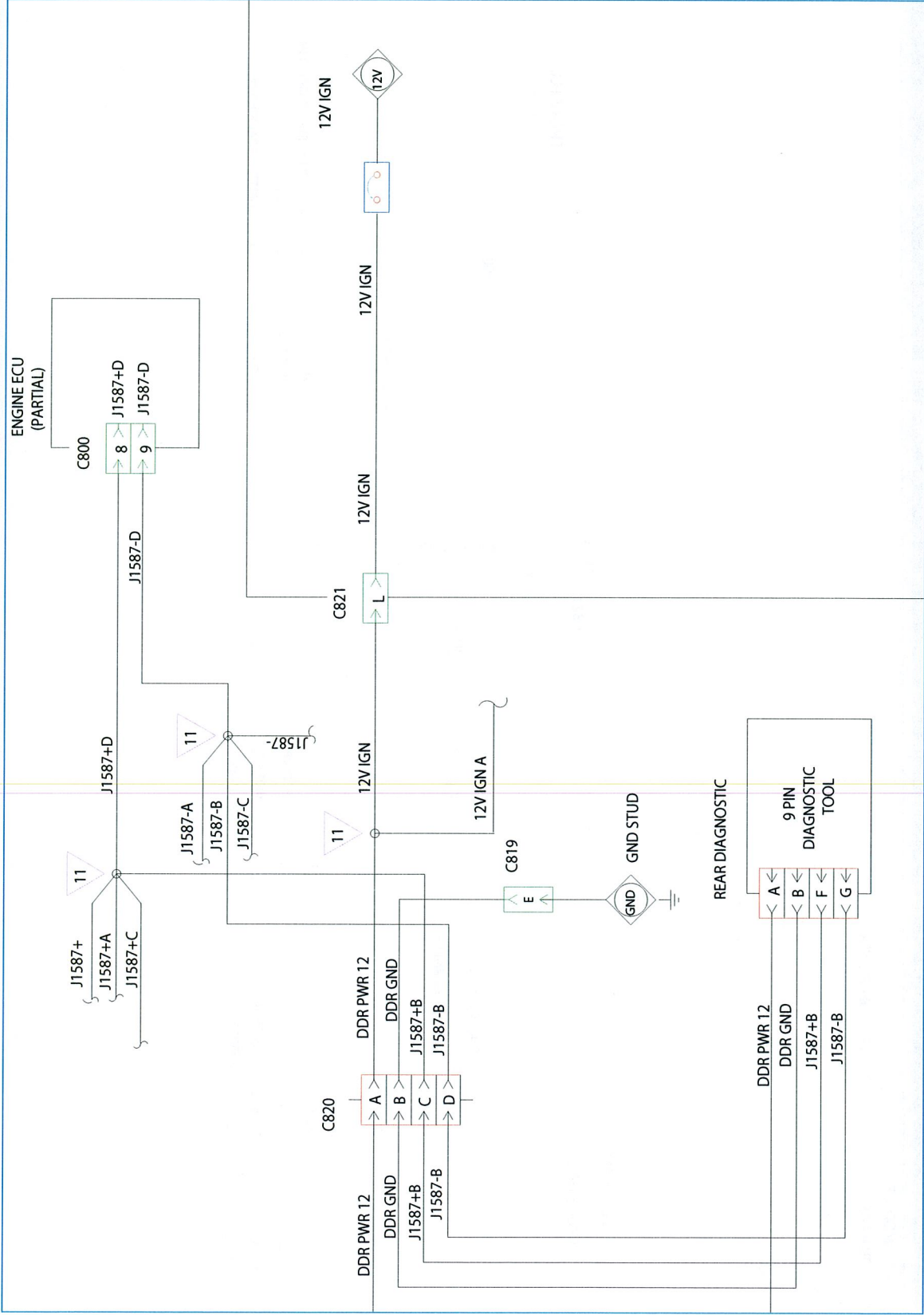


Wiring Schematic 0076503 - Throttle Pedal Sensor

D-3	D3 MODULE	CHANNEL POWER	
FUNC	OUTPUTS	CH1	CH2
LED	o1		
C29	5	1	2



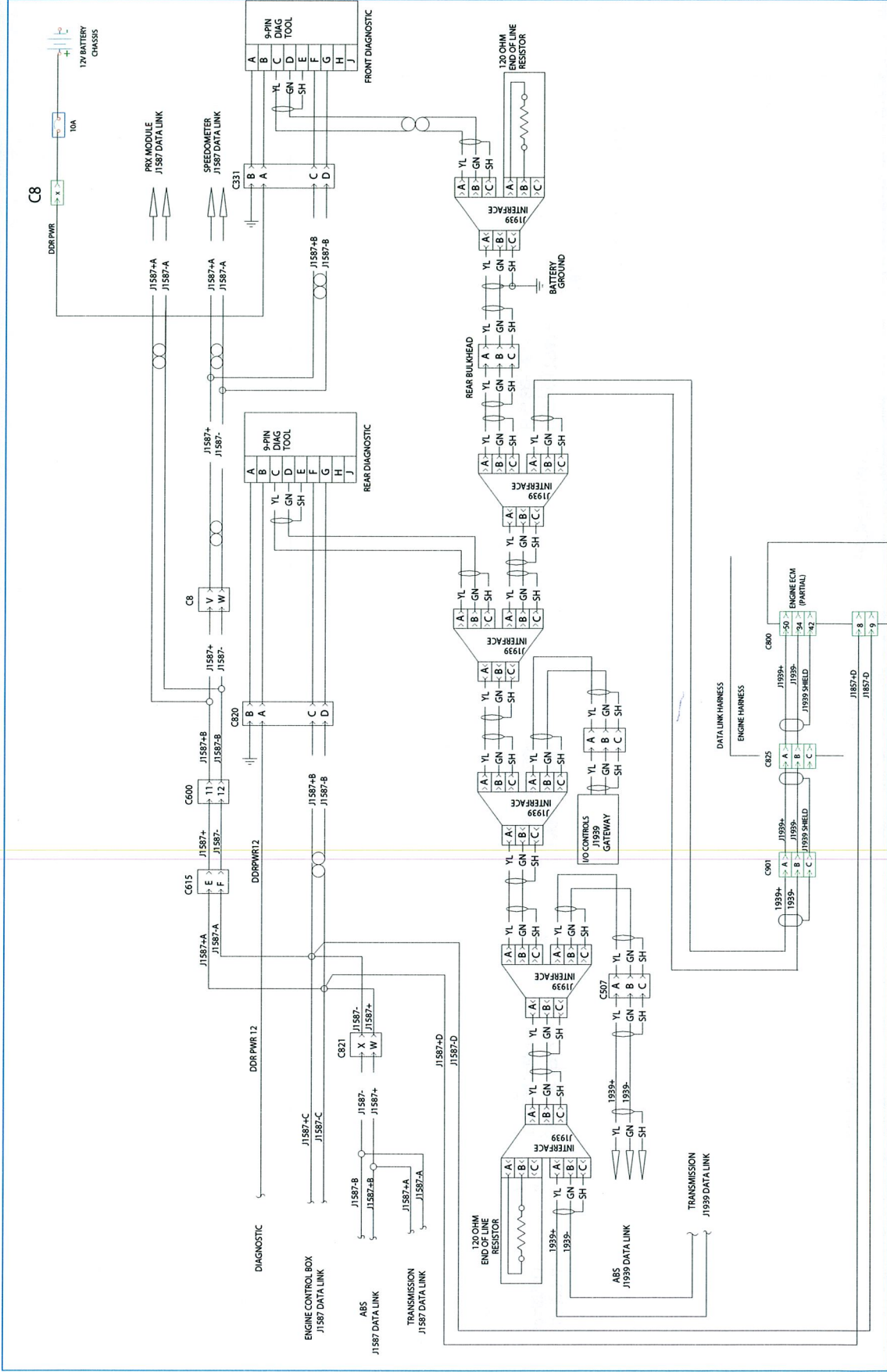
Wiring Schematic 0076504 - Rear Diagnostic



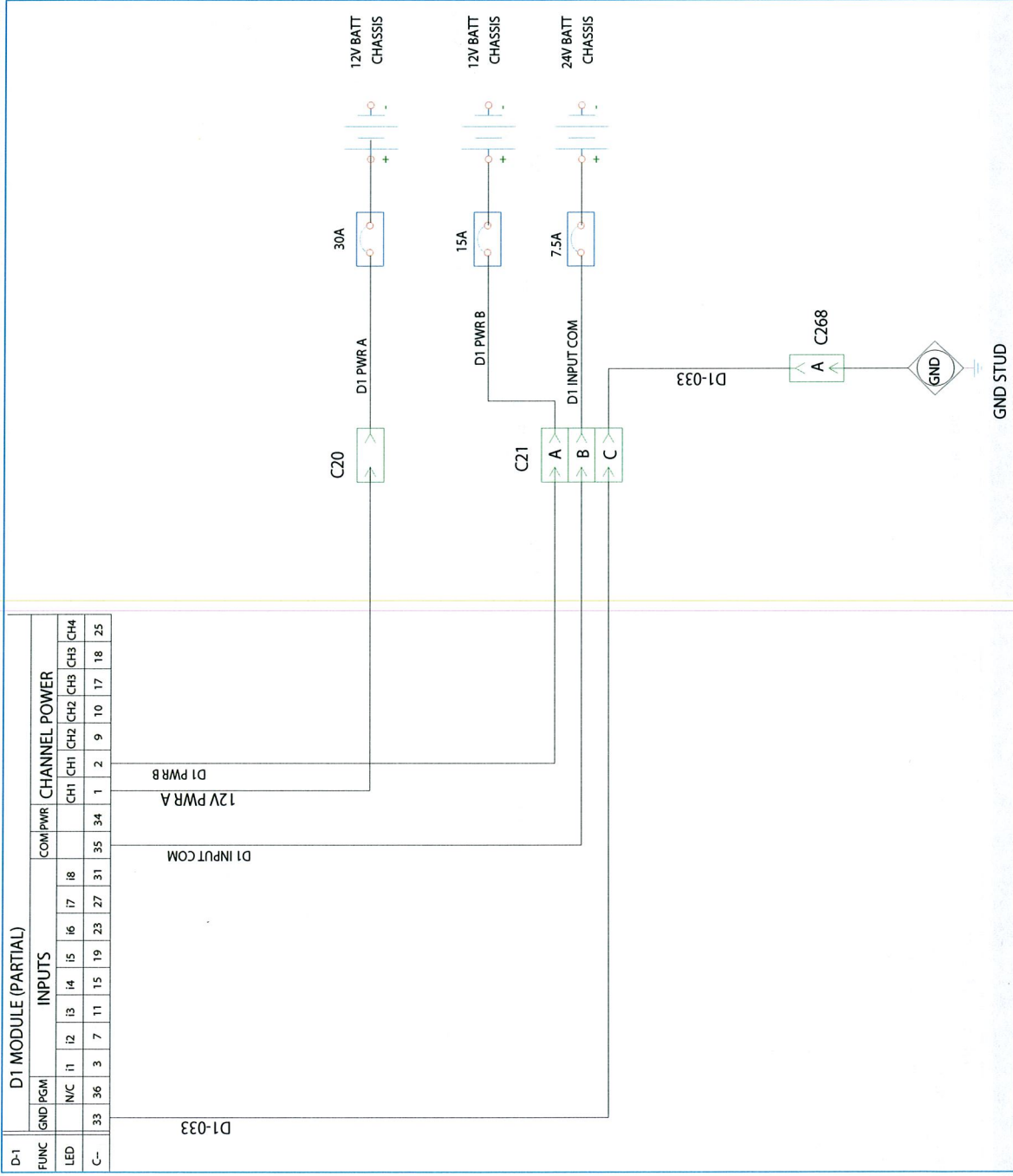
Wiring Schematic 0076505 - Engine Exhaust Temp



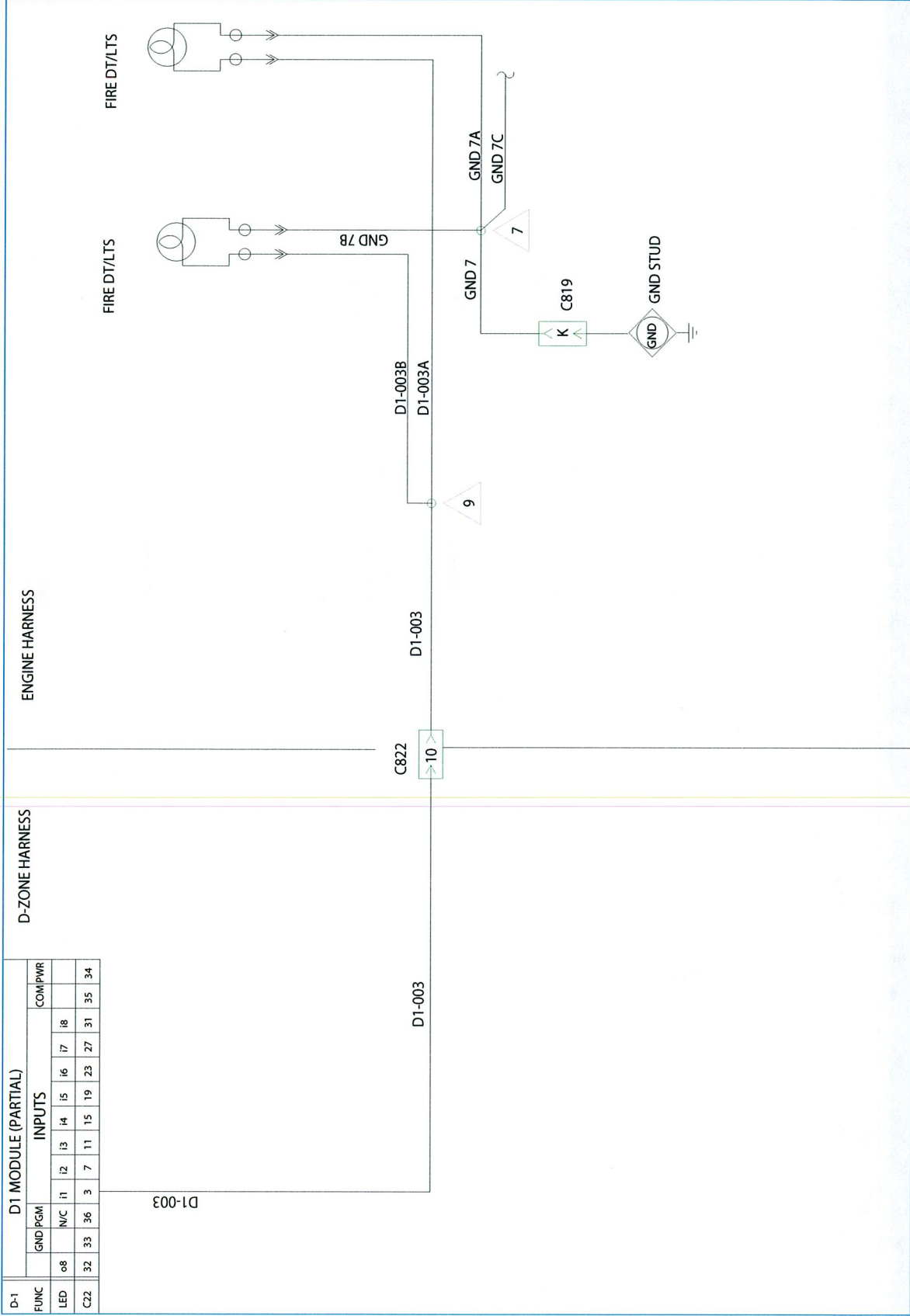
Wiring Schematic 0076506 - J1939 / J1587 Datalink



Wiring Schematic 0076565 - Module D1 Power

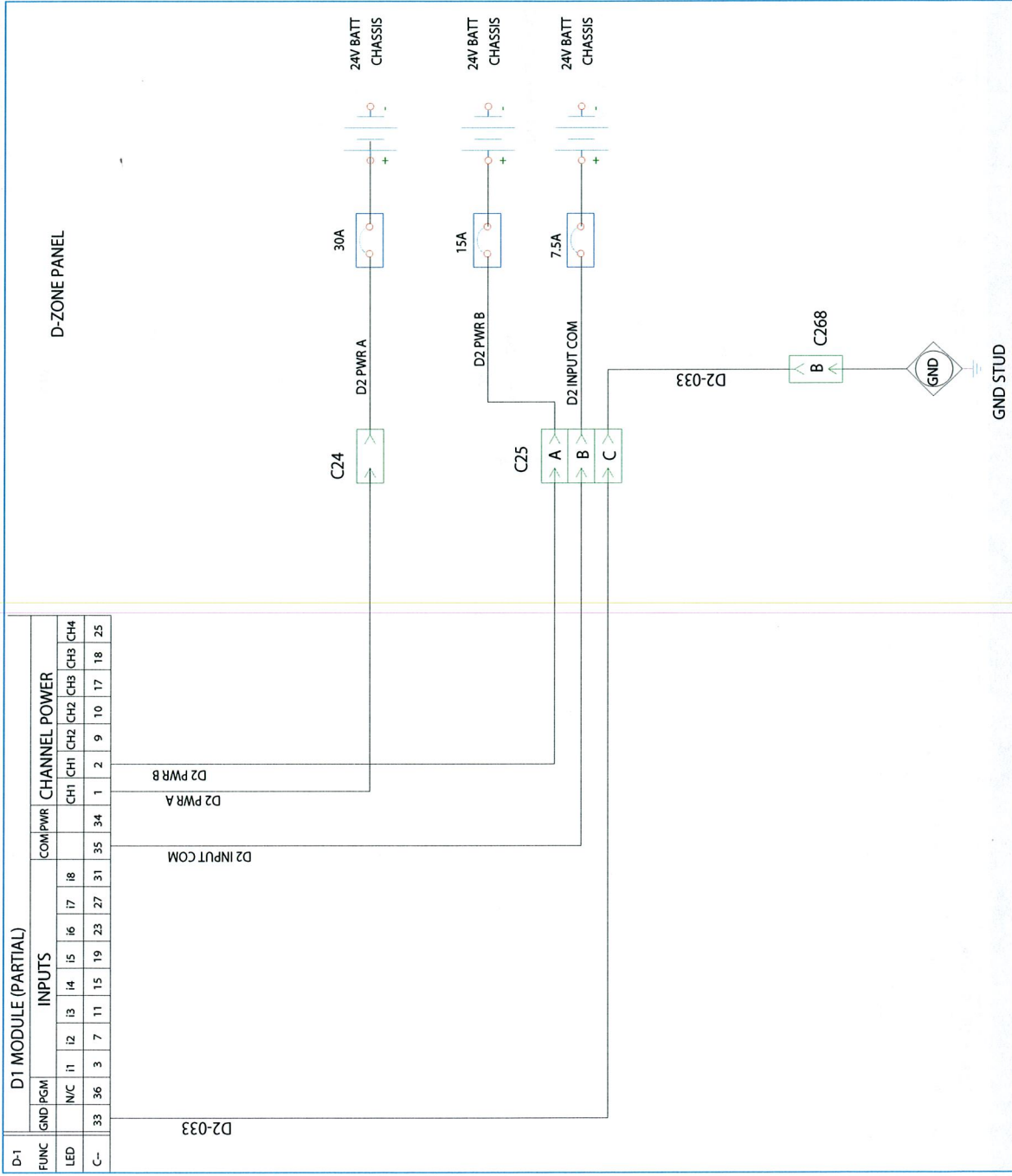


Wiring Schematic 0076573 - Fire Detection Lights

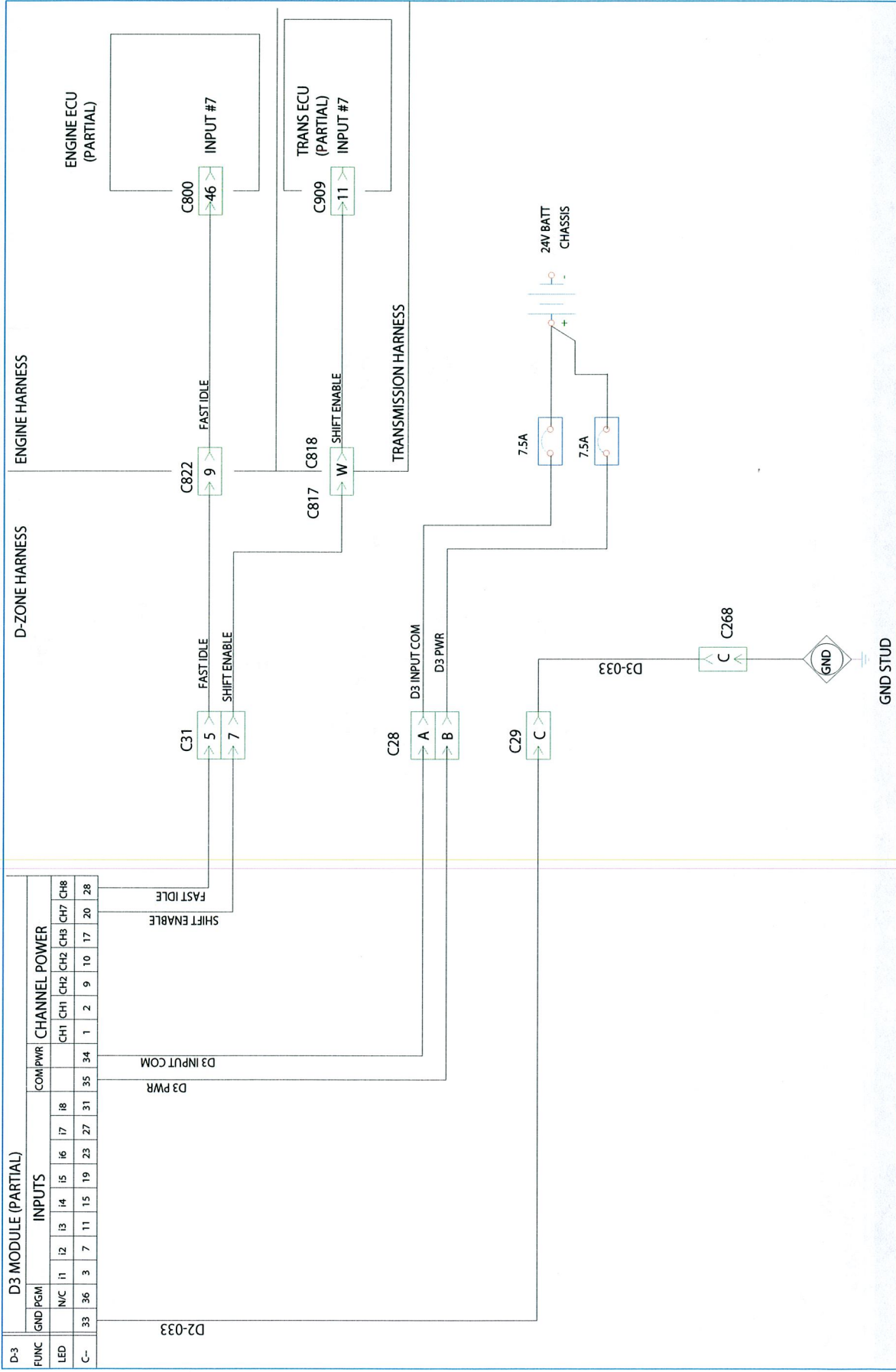


D-1	D1 MODULE (PARTIAL)												
	GND/PGM		INPUTS								COMPWR		
LED	08	N/C	11	12	13	14	15	16	17	18			
C22	32	33	36	3	7	11	15	19	23	27	31	35	34

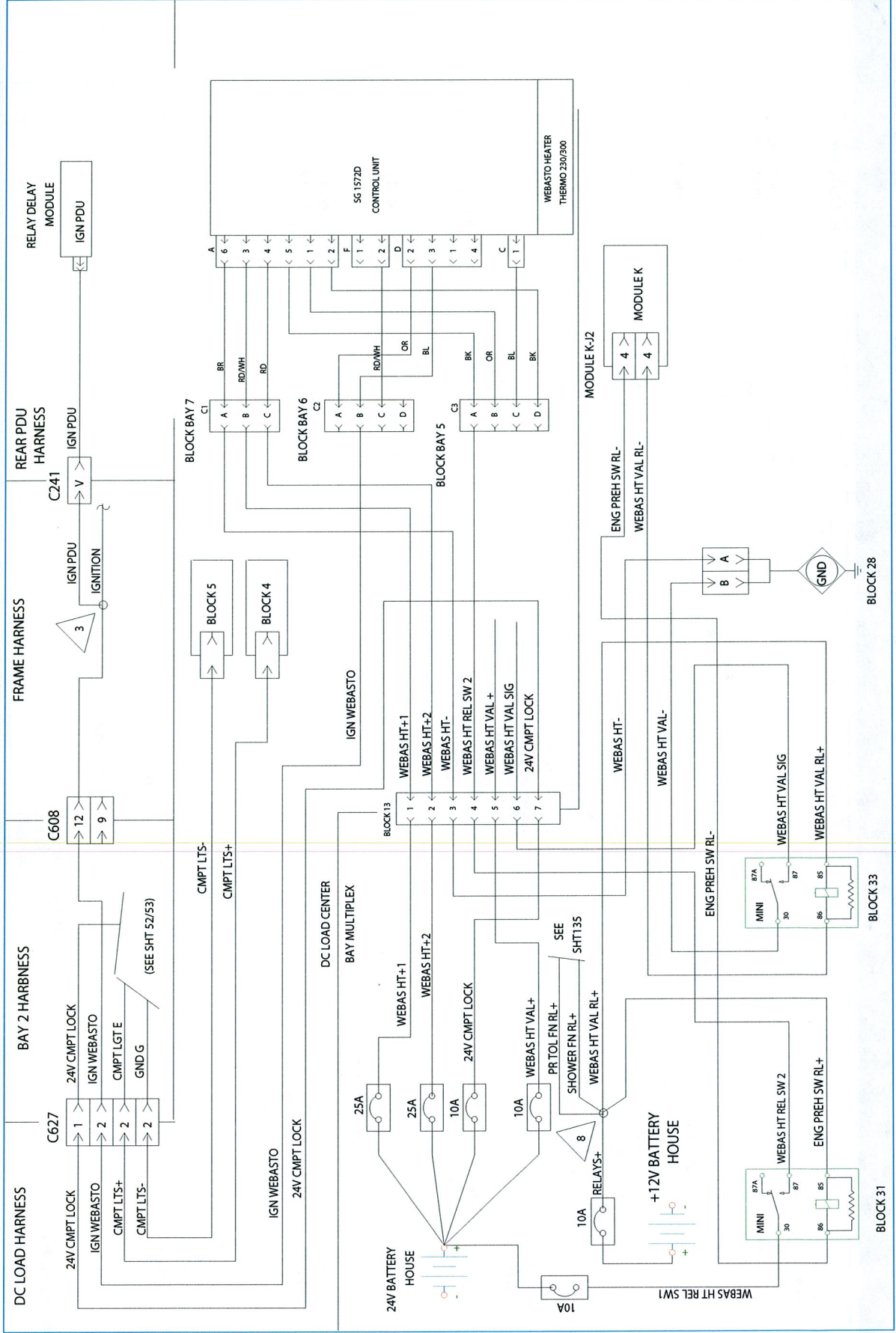
Wiring Schematic 0076575 - Module D2 Power



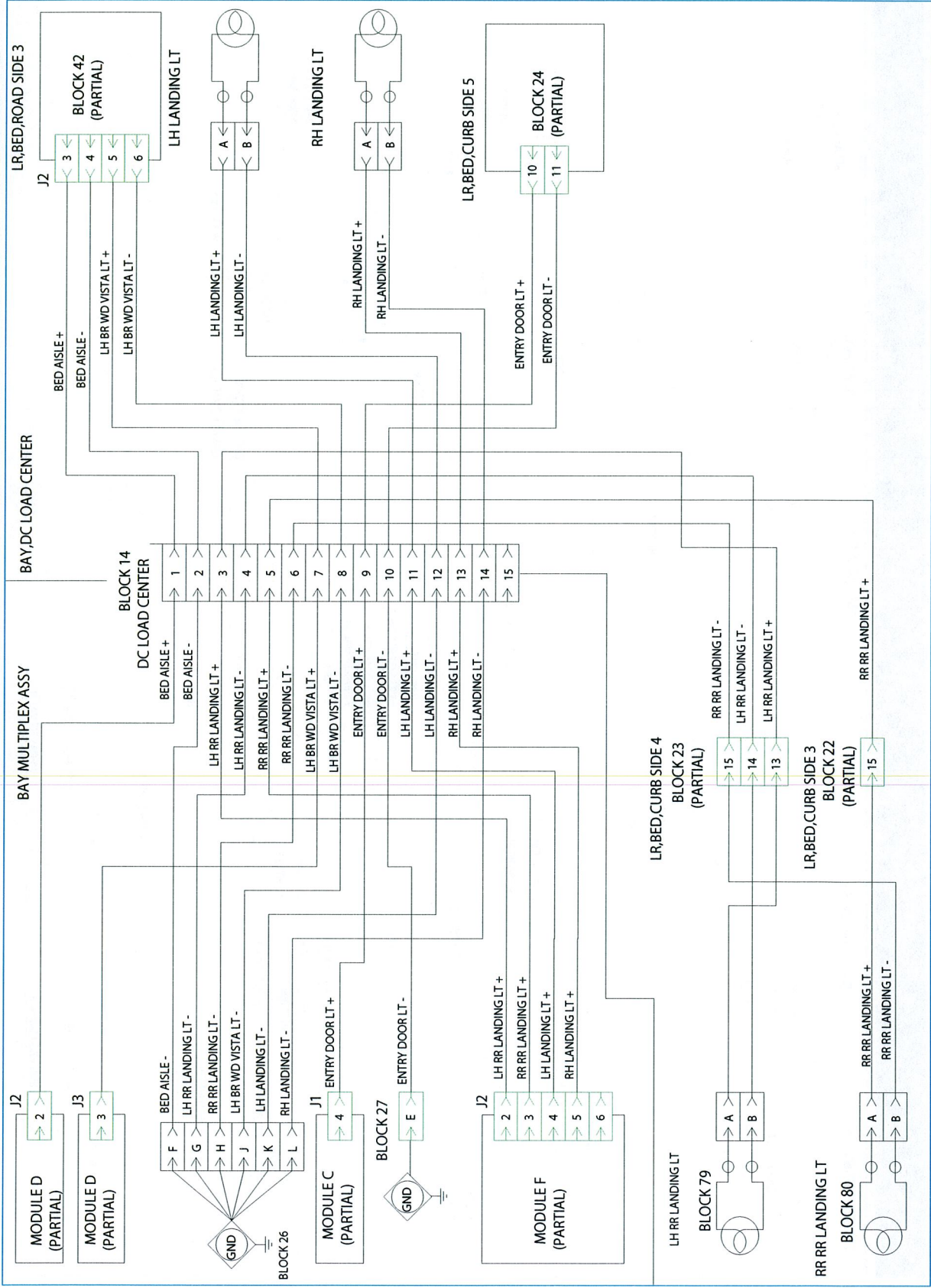
Wiring Schematic 0076583 - Module D3 Power



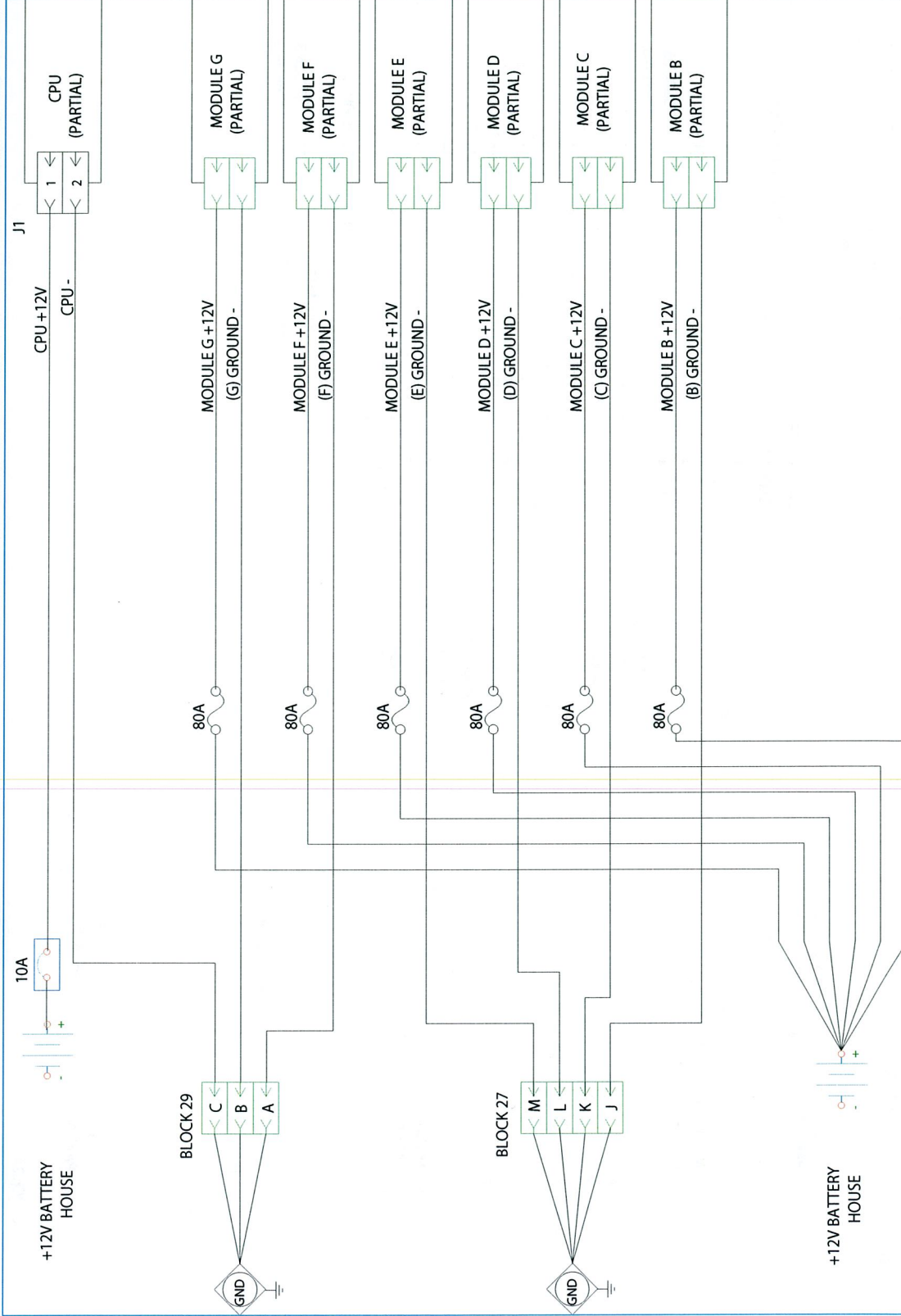
Wiring Schematic 0076590 - Webasto Heater



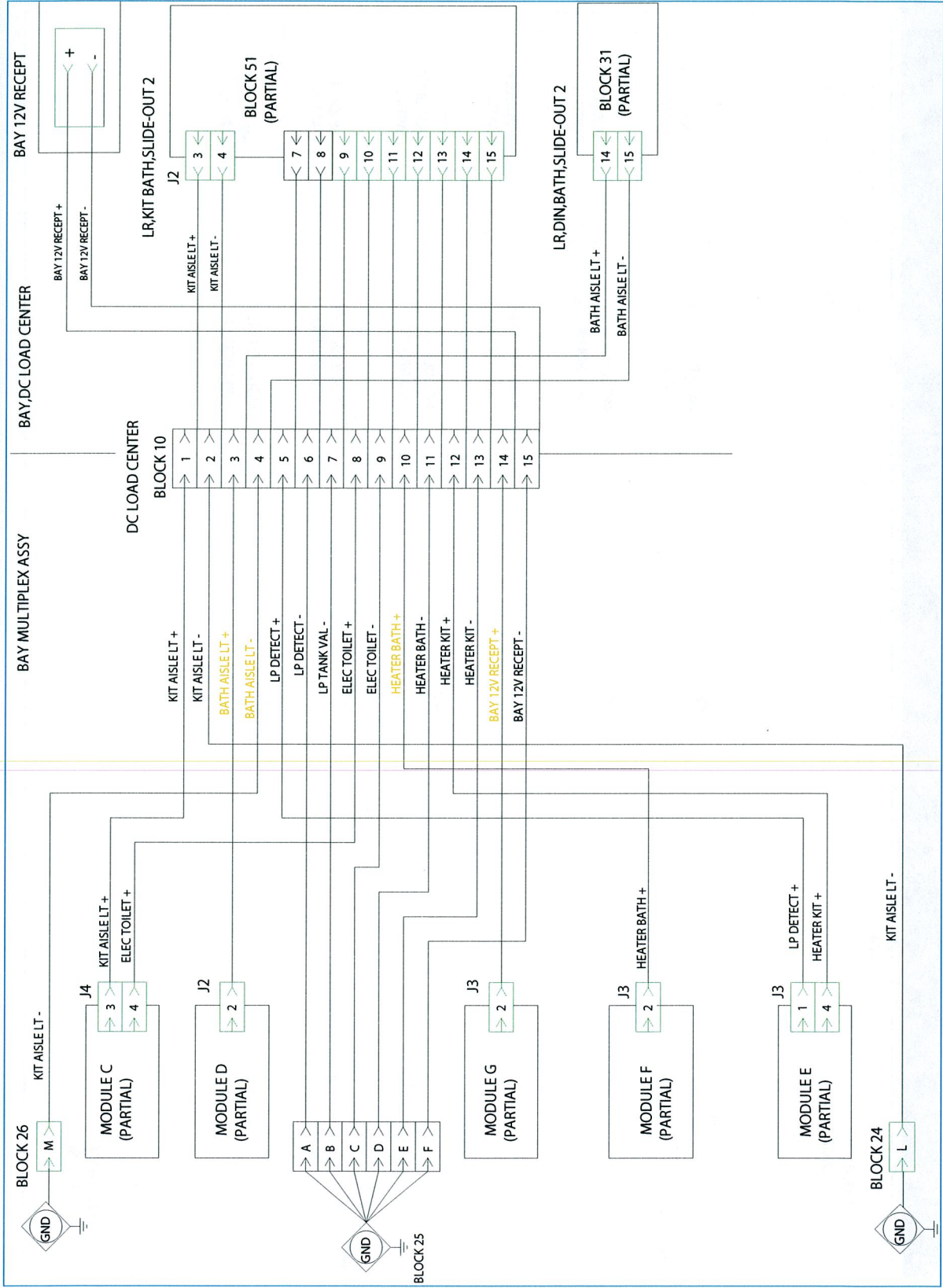
Wiring Schematic 0076639 - Landing Lights



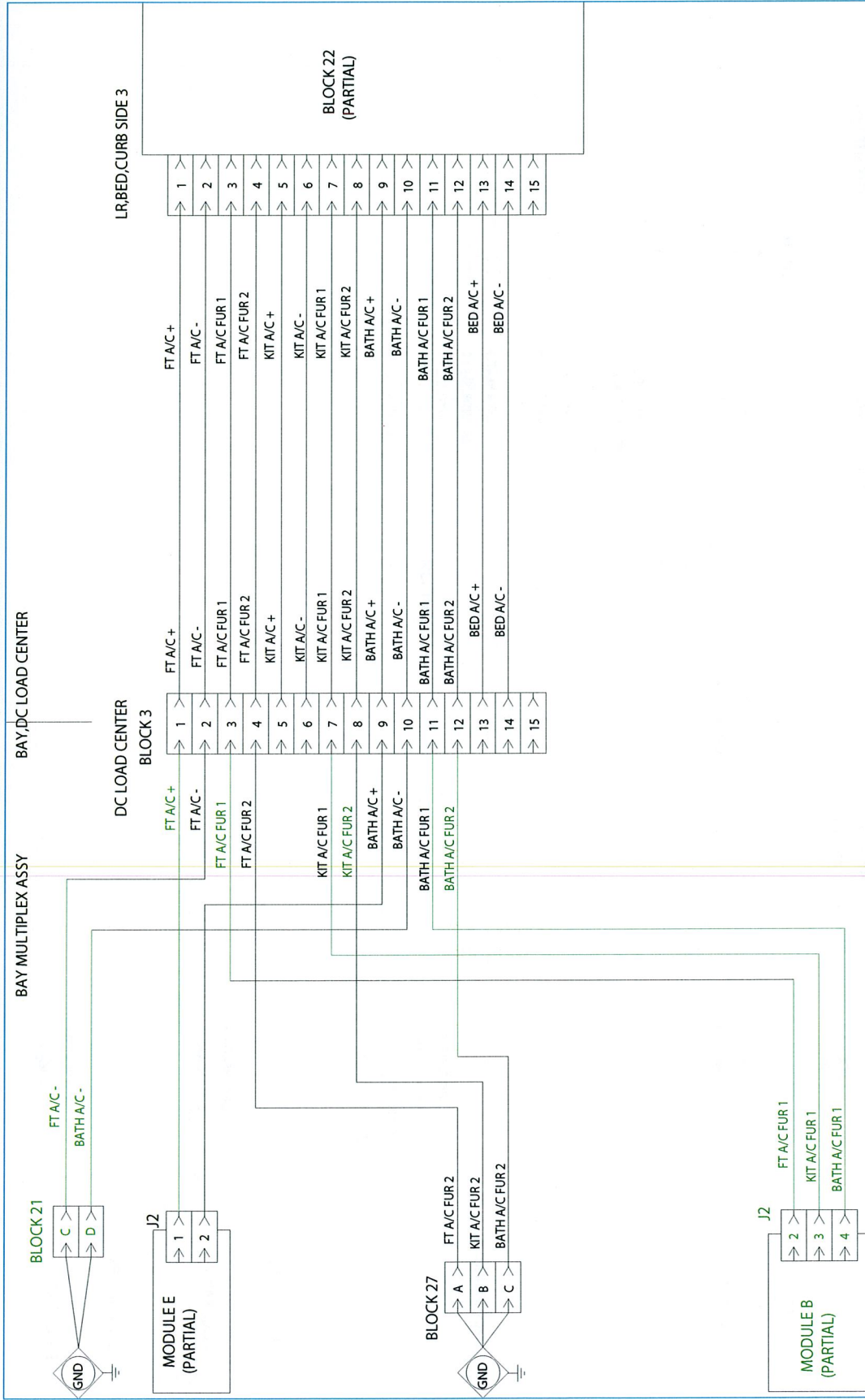
Wiring Schematic 0076716 - CPU, Module B Thru G Input Power



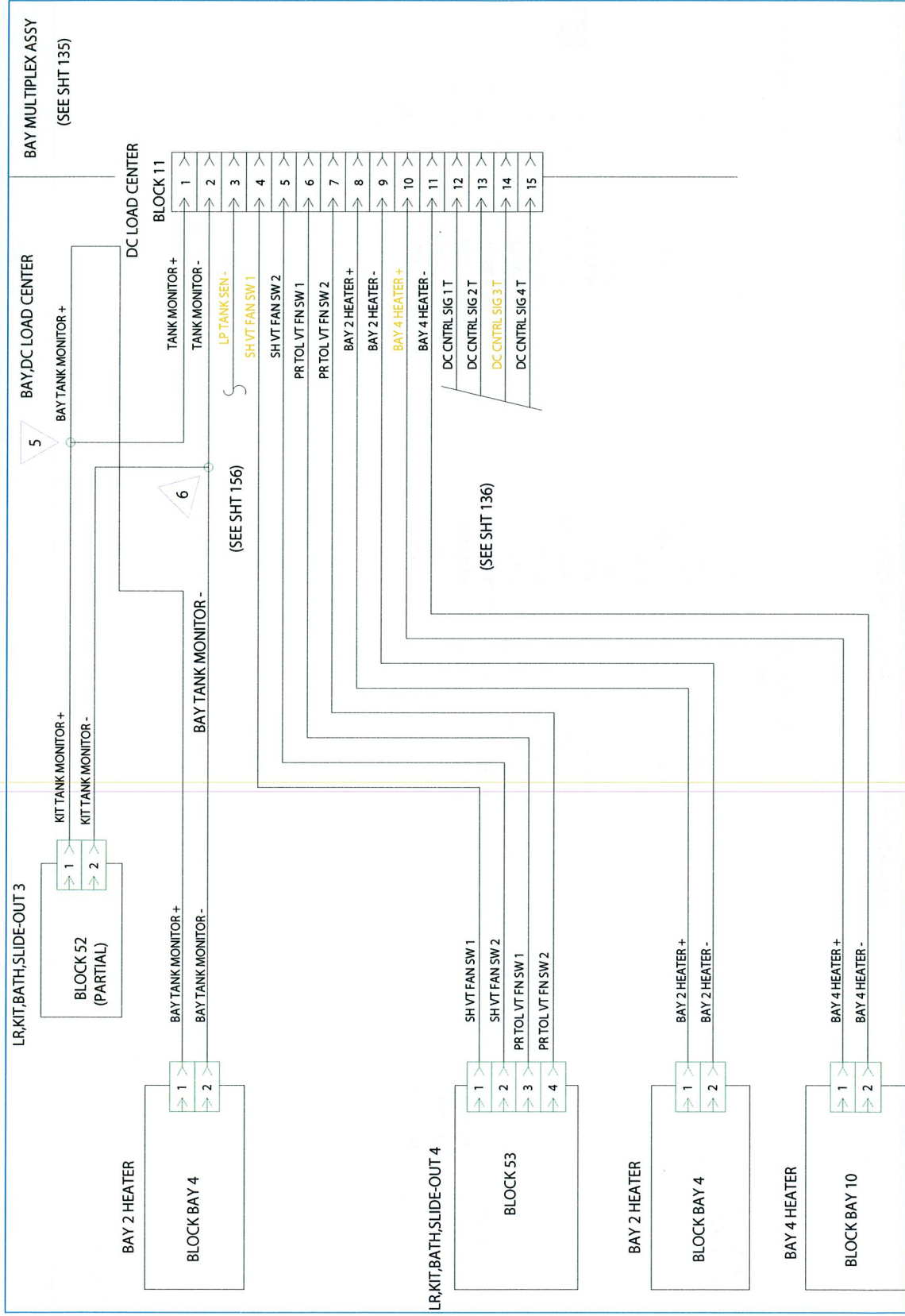
Wiring Schematic 0076655 - Electric, Toilet, Aisle Lights



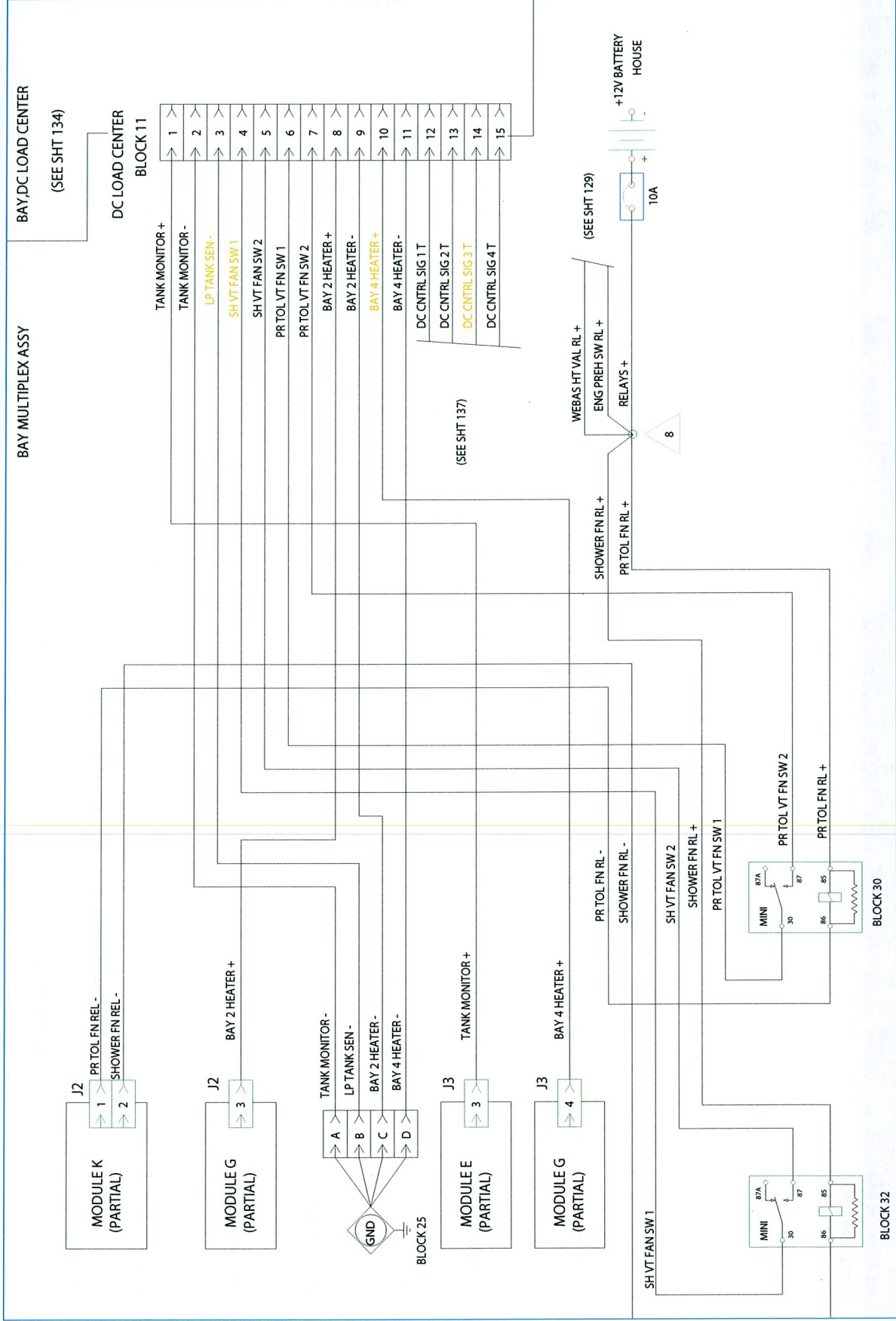
Wiring Schematic 0076715 - AC, Front Kitchen and Bath



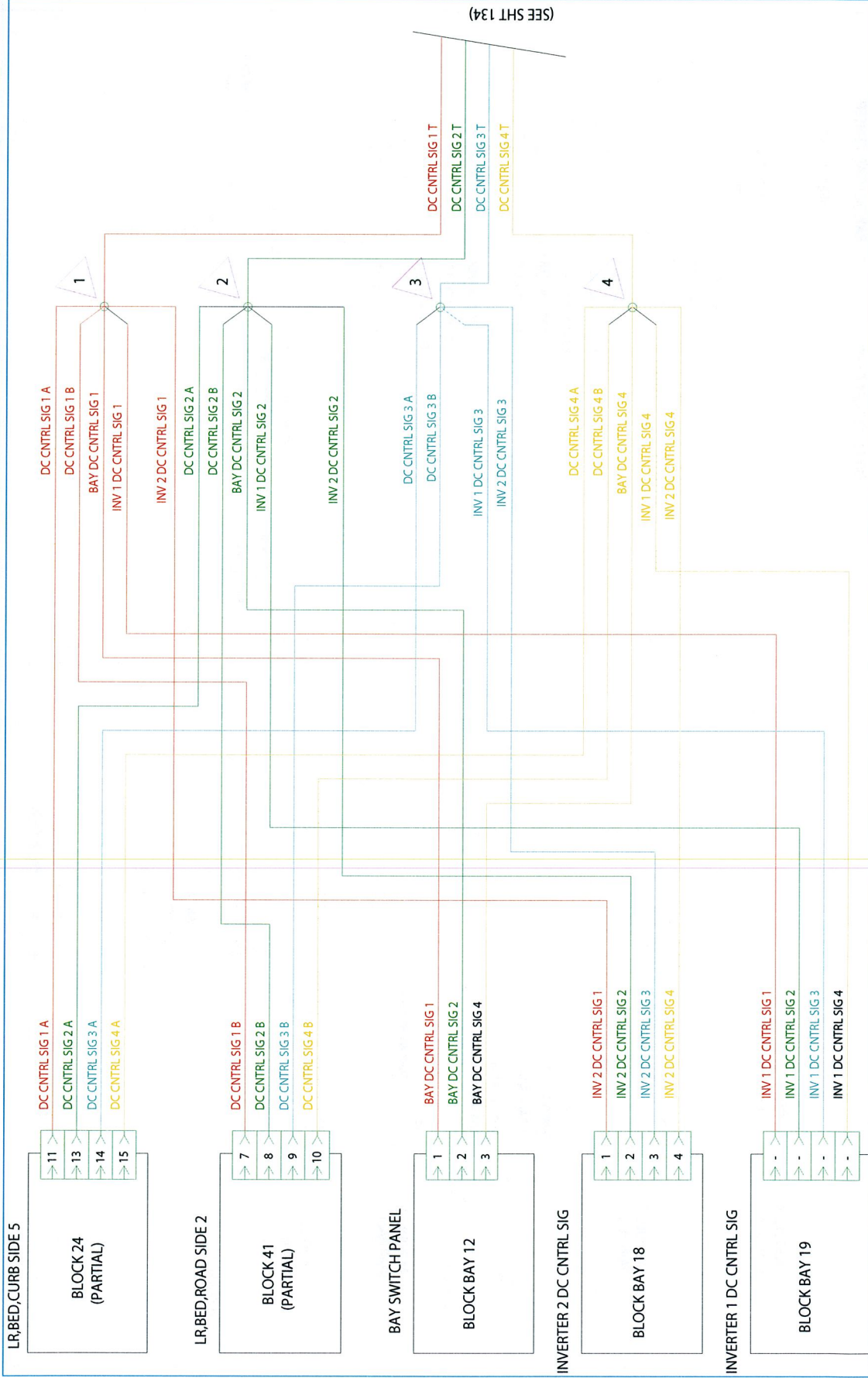
Wiring Schematic 0076664 - Tank, Fan, Bay Heater, DC Control Side



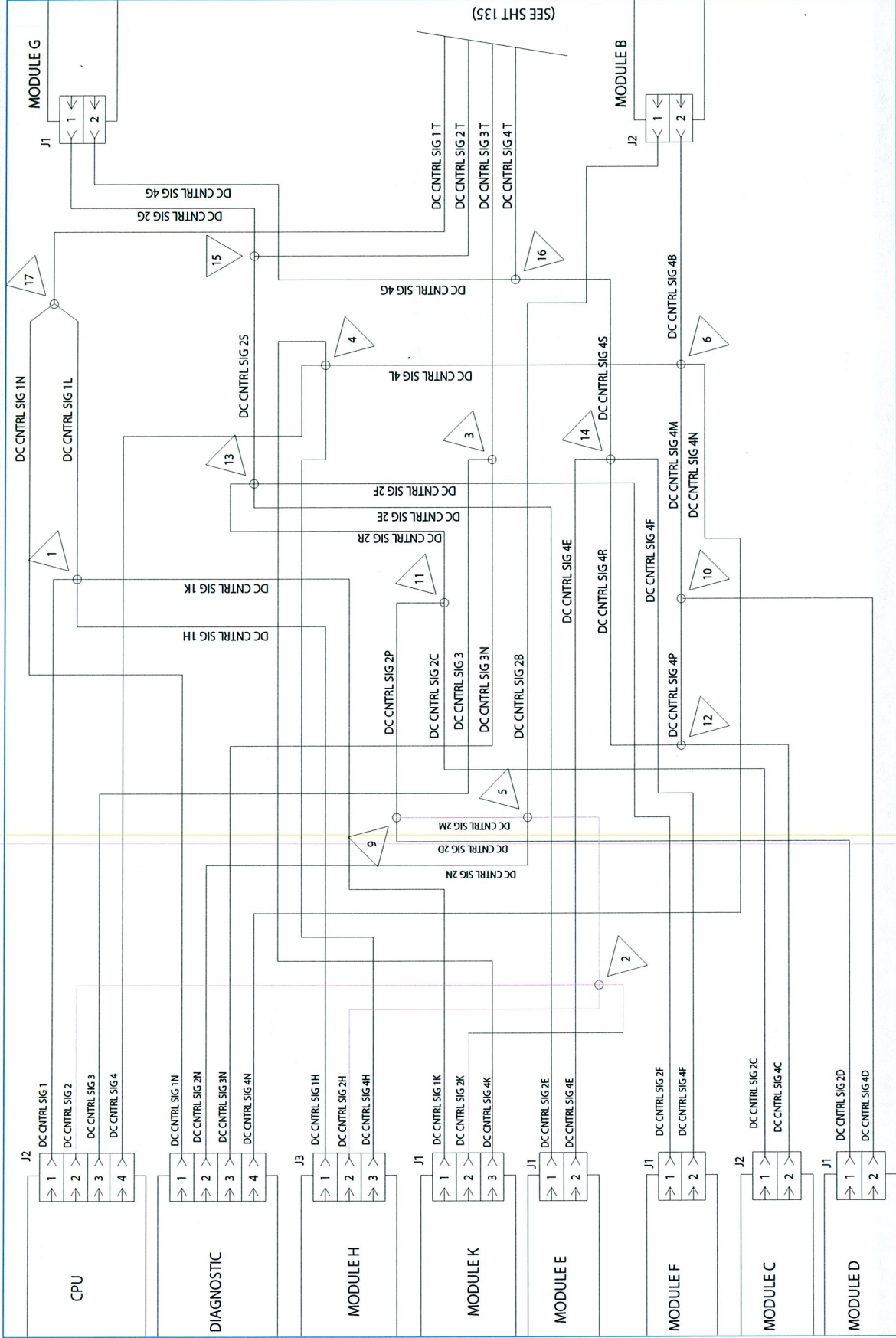
Wiring Schematic 0076669 - Tank, Fan, Bay Heater, Multiplex Side



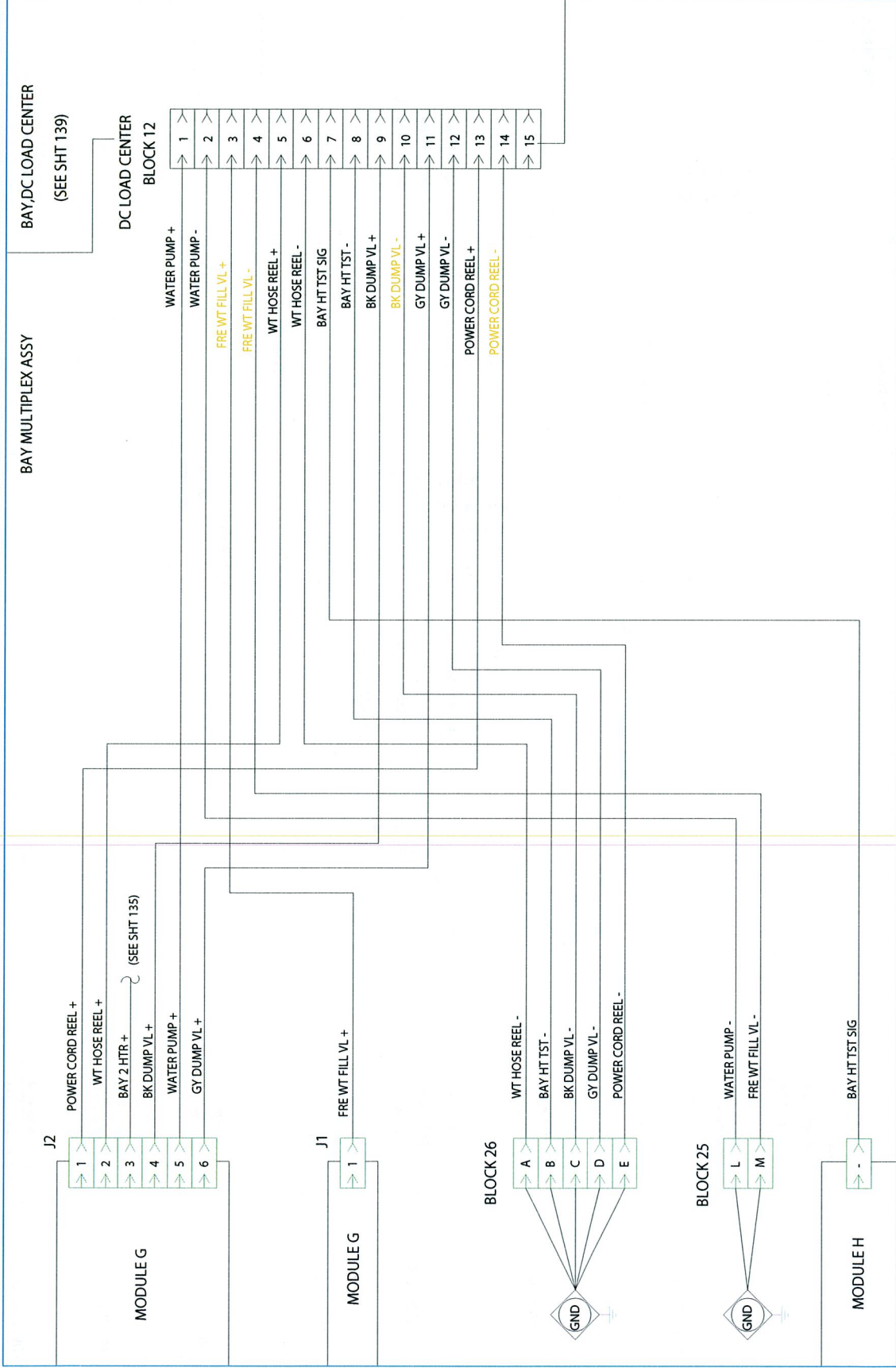
Wiring Schematic 0076668 - DC Control Sig 1, 2, 3, & 4



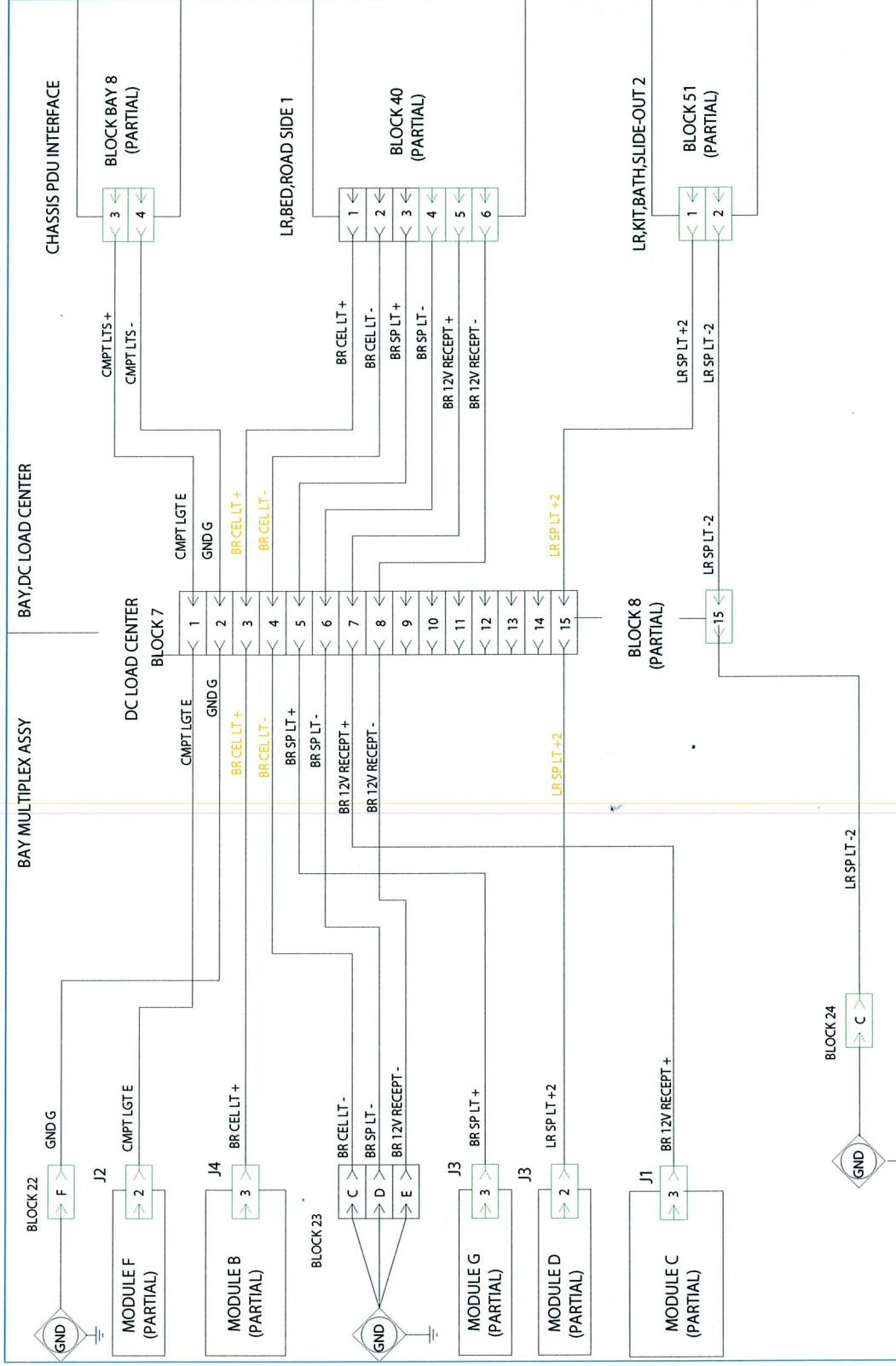
Wiring Schematic 0076671 - DC Control Sig 1-4 Multiplex Side



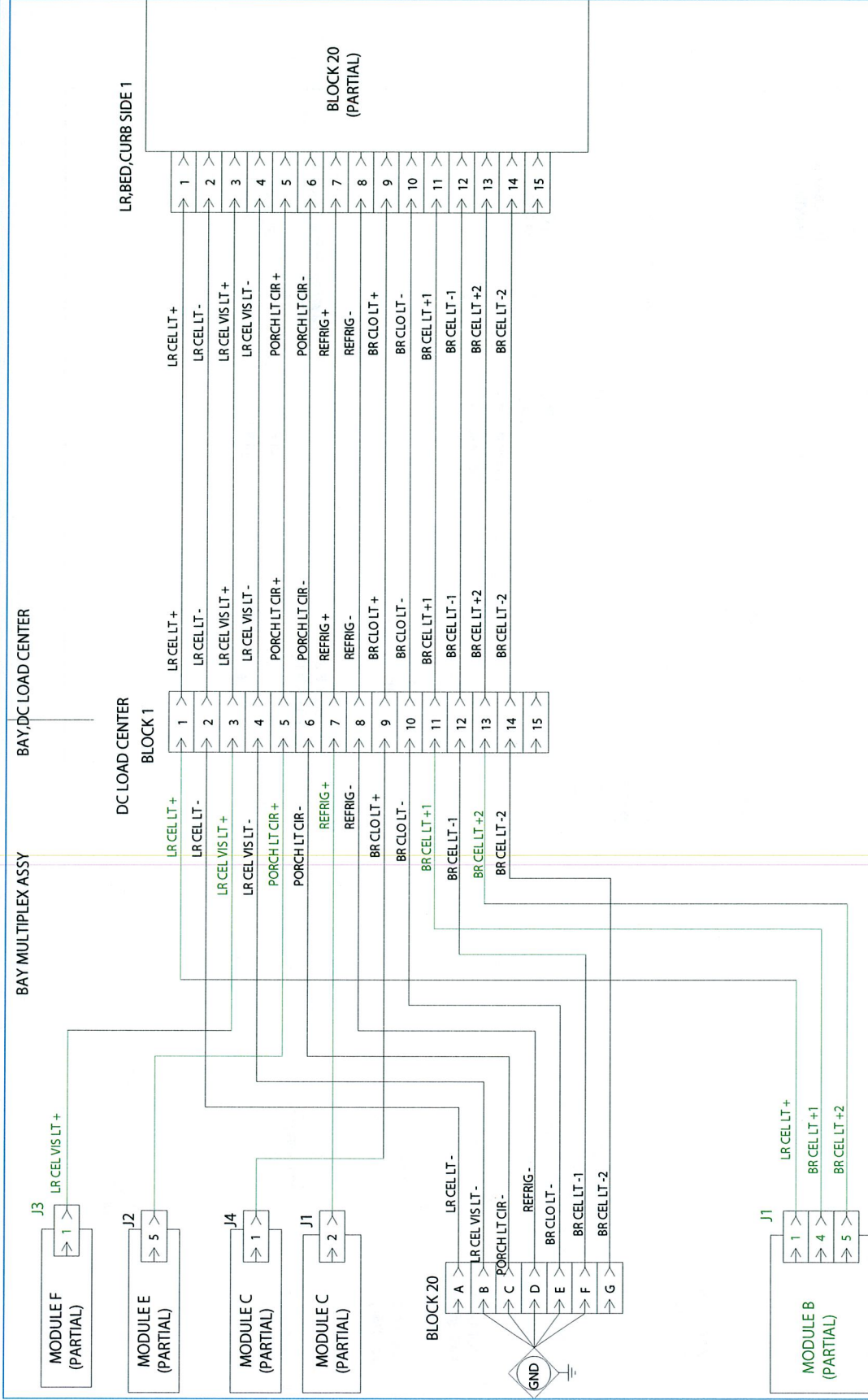
Wiring Schematic 0076672 - Water Pump, Reel, Free Wt, Dump Valve



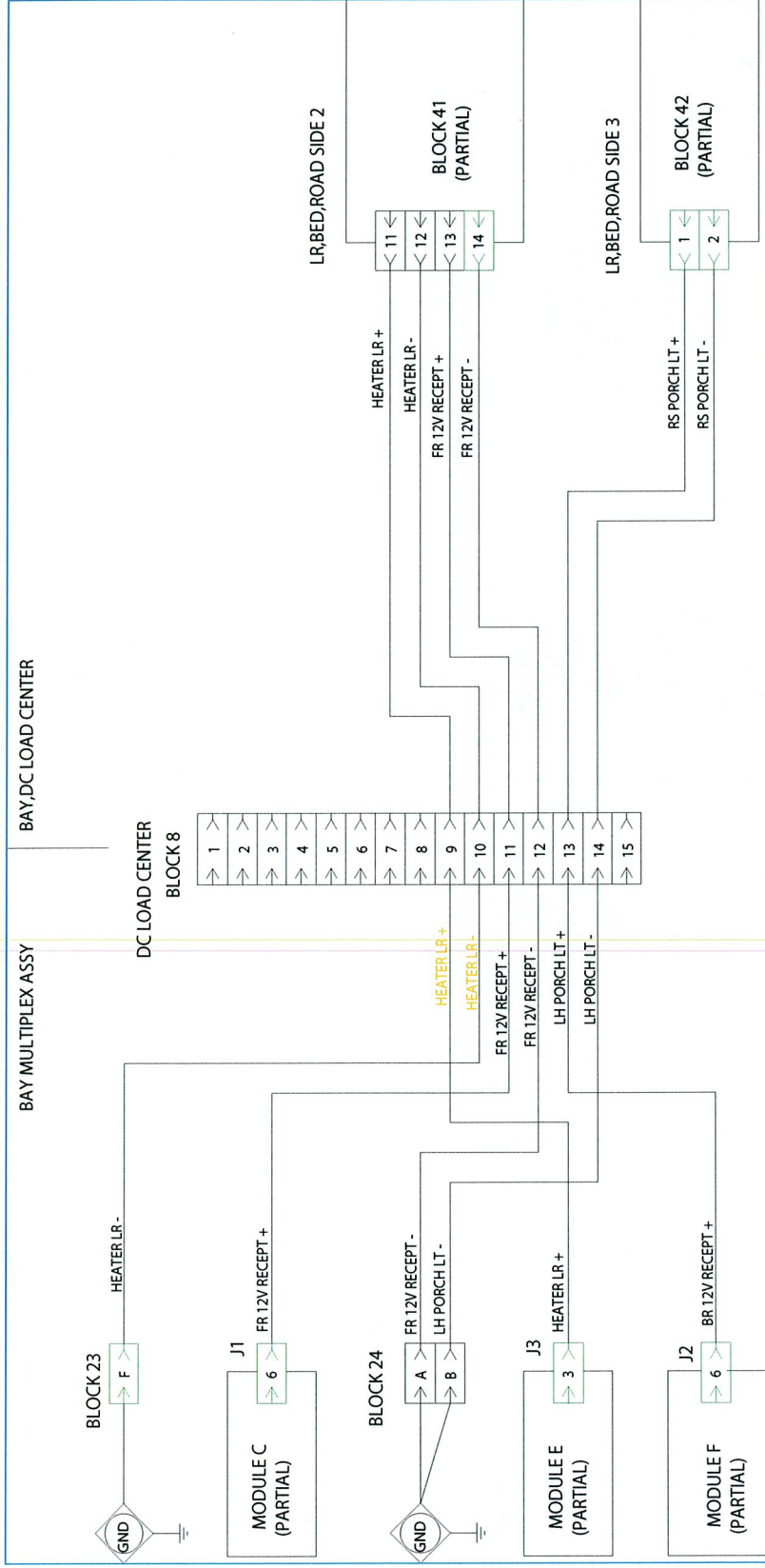
Wiring Schematic 0076674 - Bedroom Lights



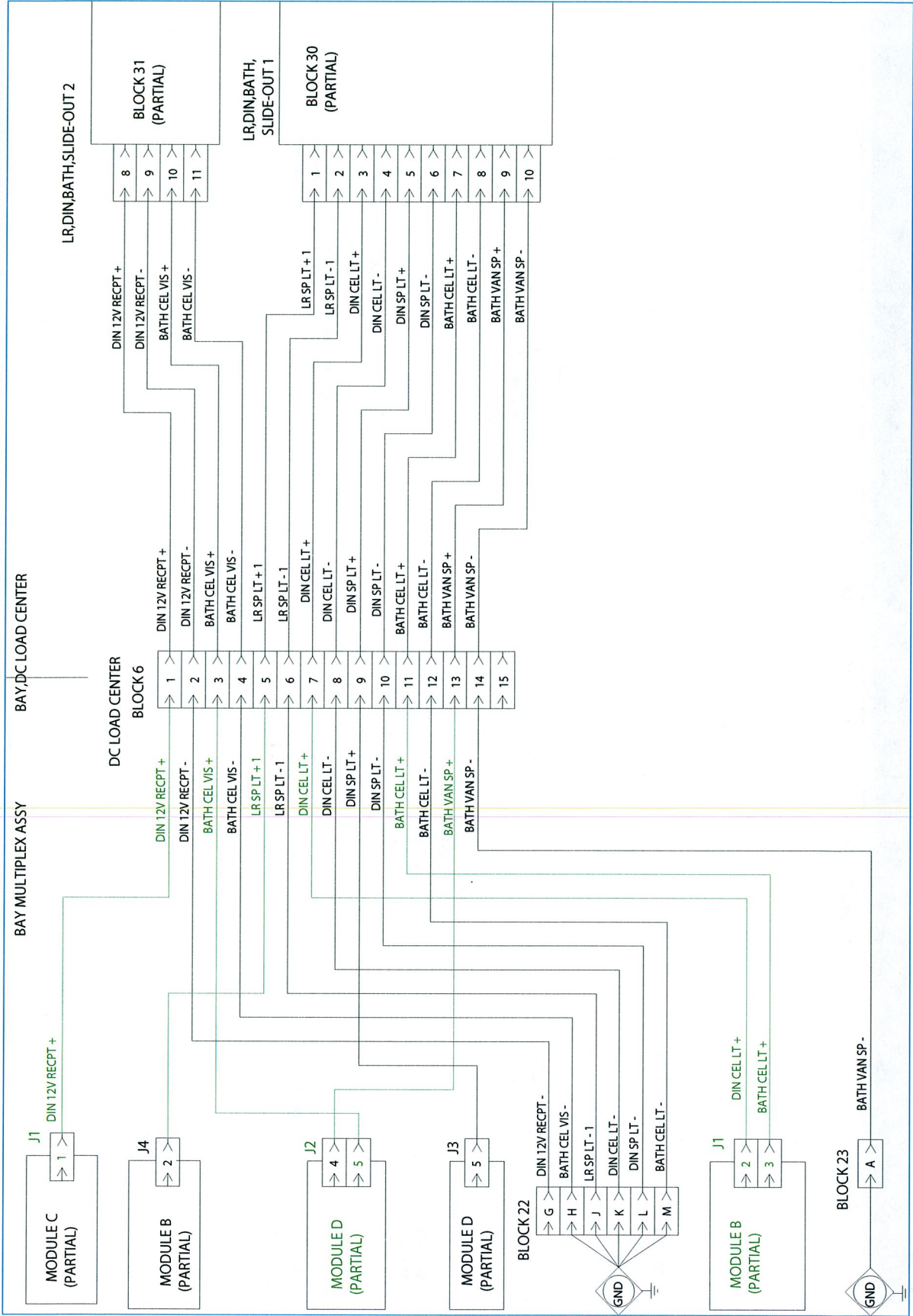
Wiring Schematic 0076714 - Bedroom, Porch Lights and Refrigerator



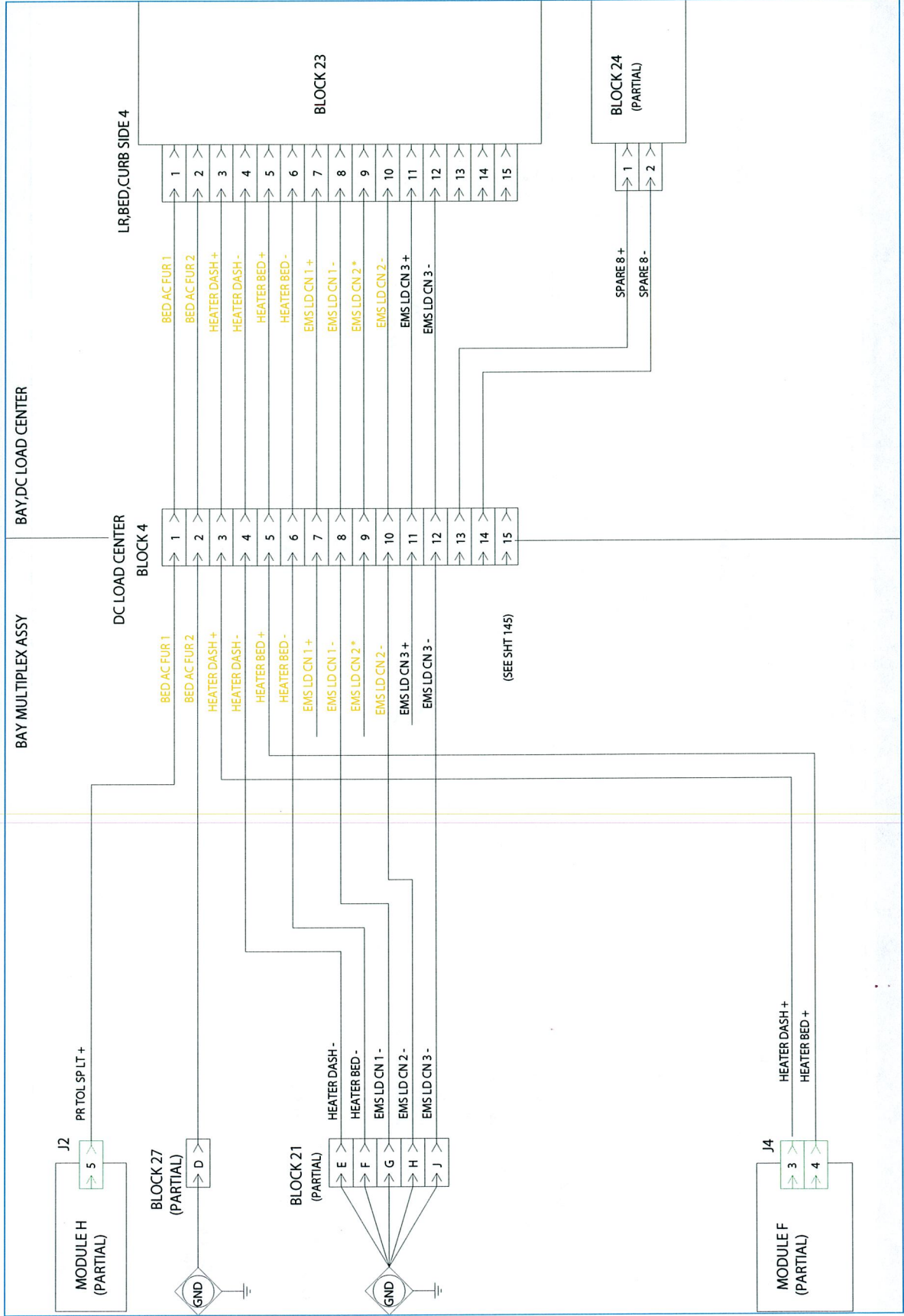
Wiring Schematic 0076676 - Heater, Porch Lights



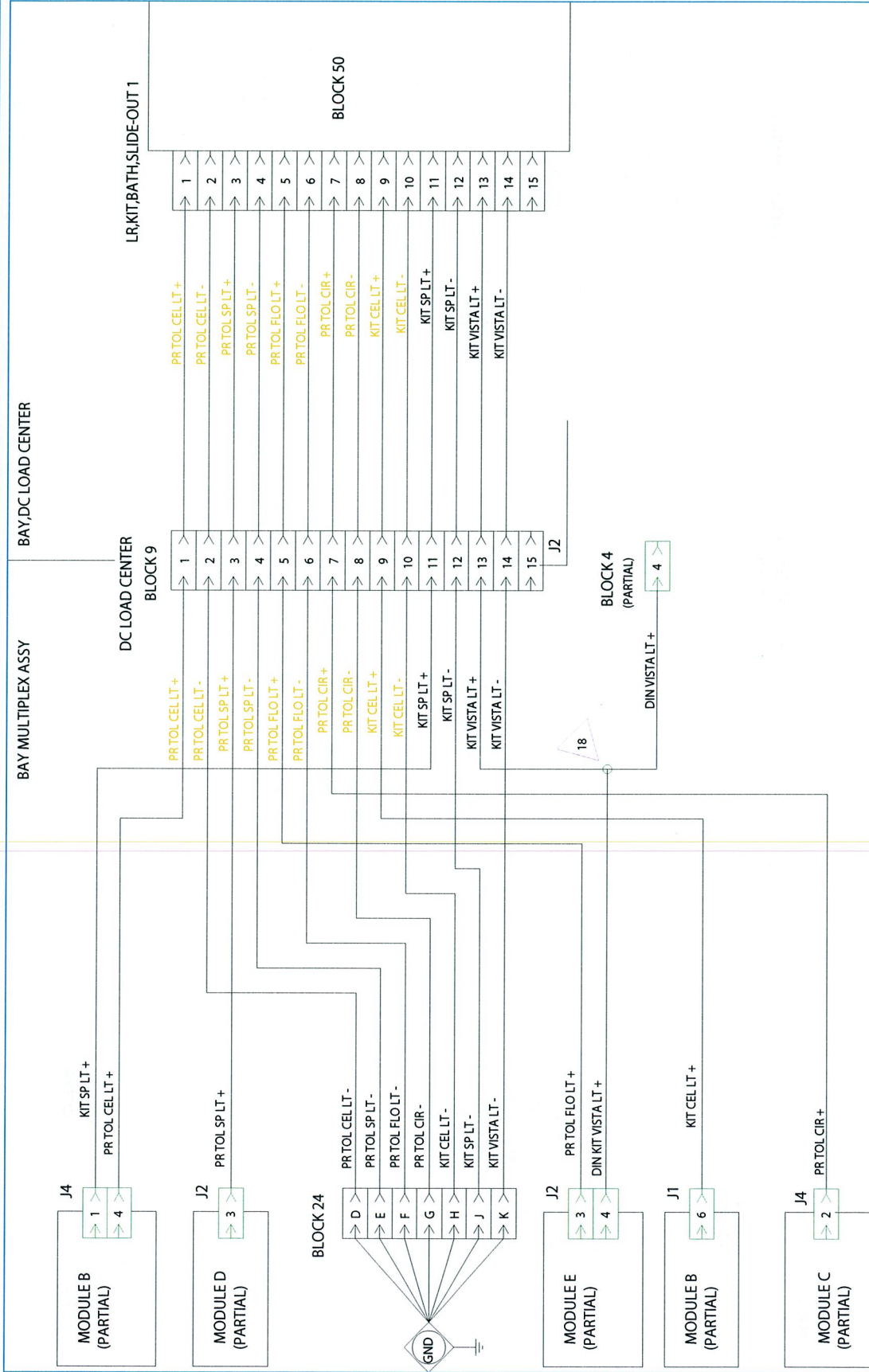
Wiring Schematic 0076708 - Dining, Bathroom, and Living Room Spotter Lights



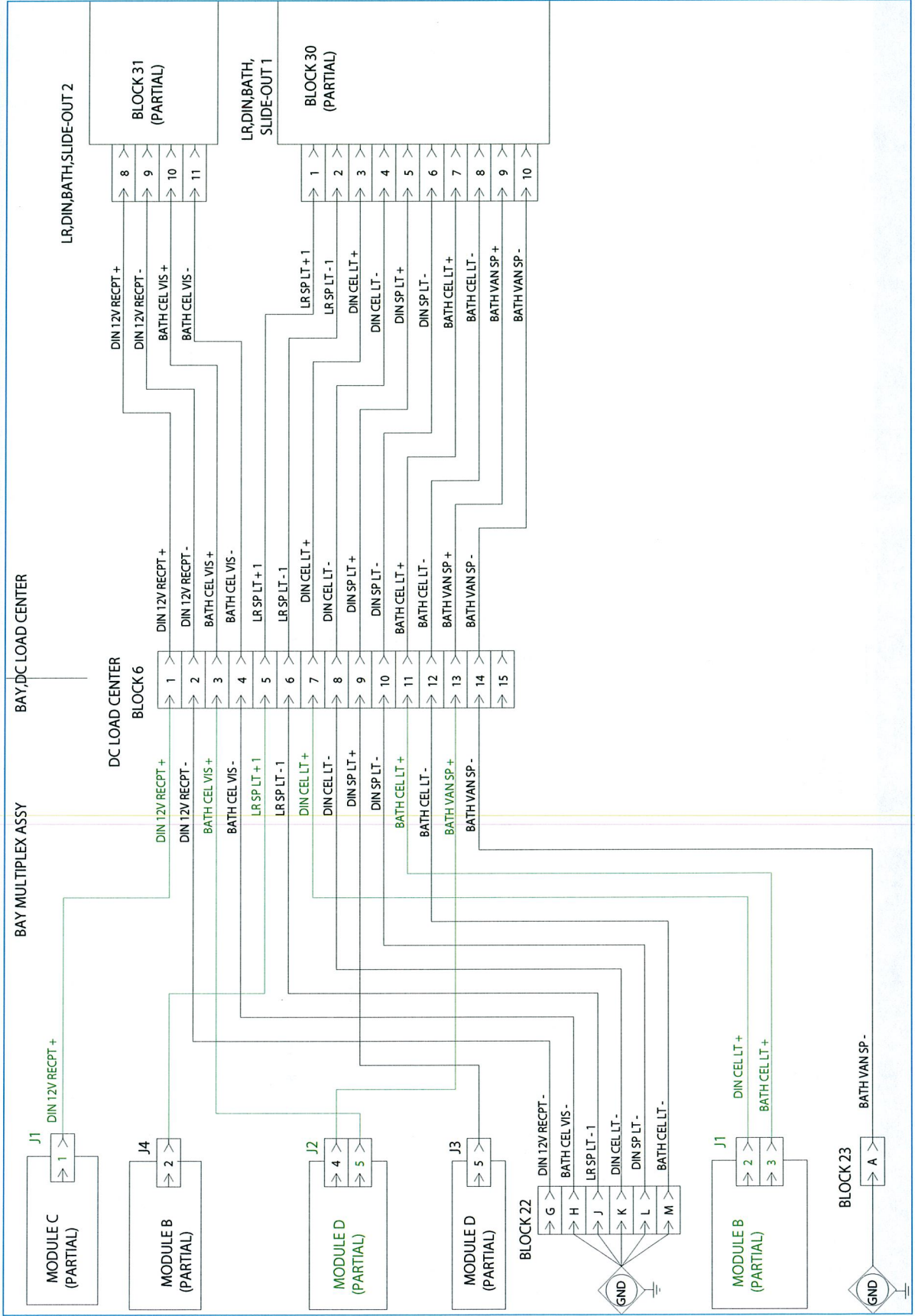
Wiring Schematic 0076678 - Bedroom Heater and A/C



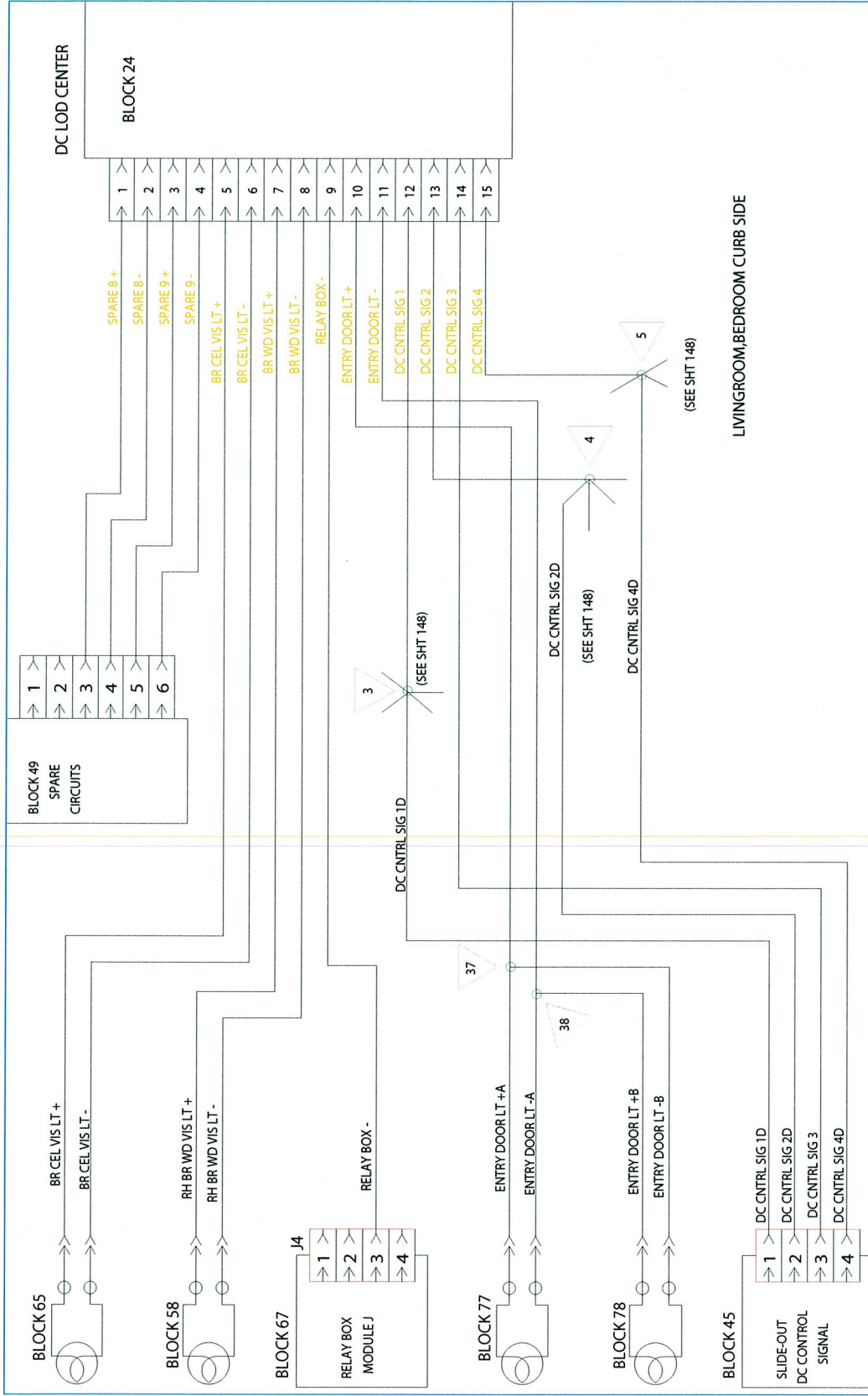
Wiring Schematic 0076679 - Ceiling, Floor, Vista and Spotter Lights



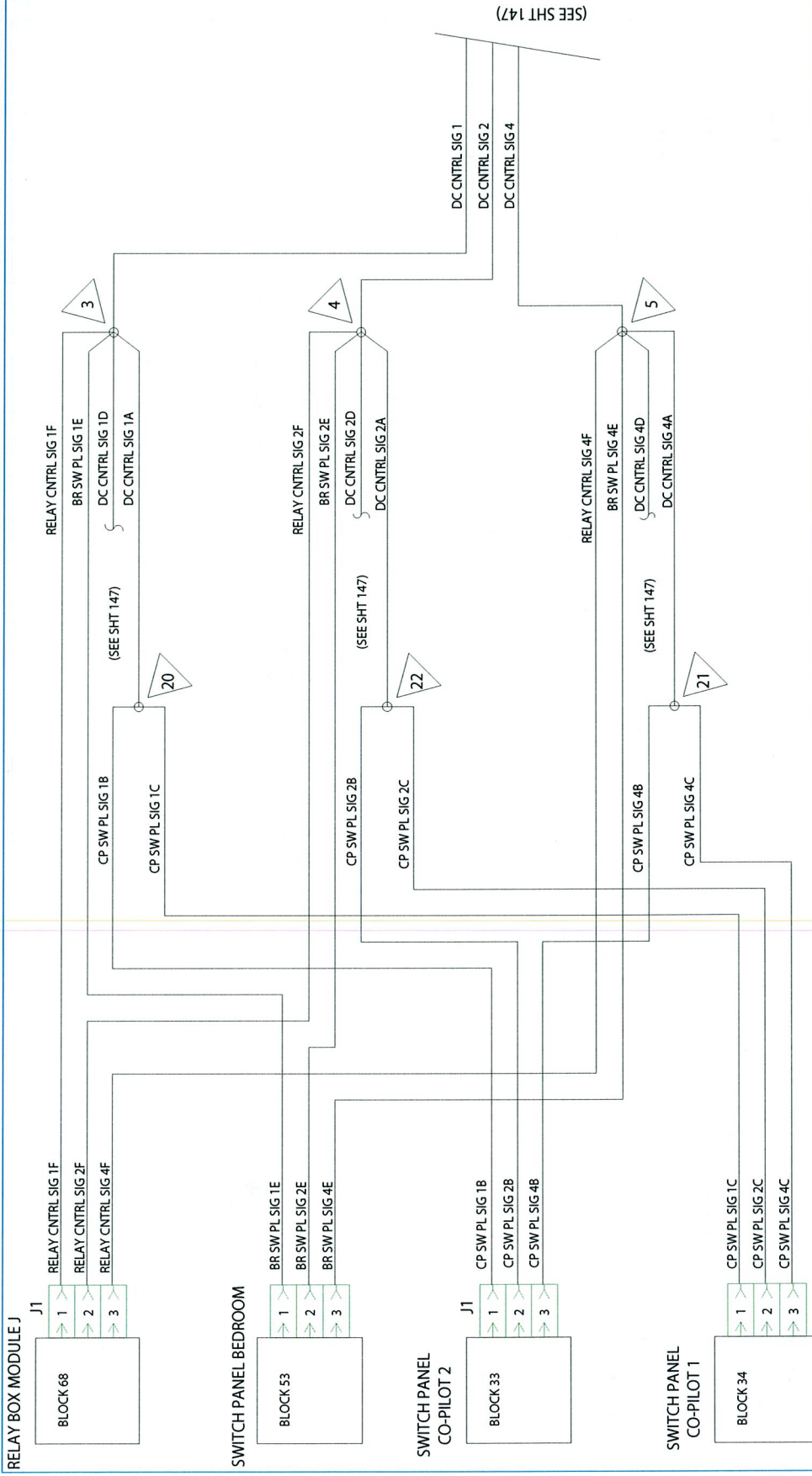
Wiring Schematic 0076701 - Bedroom Ceiling Vista Lights, Relay/Thermo



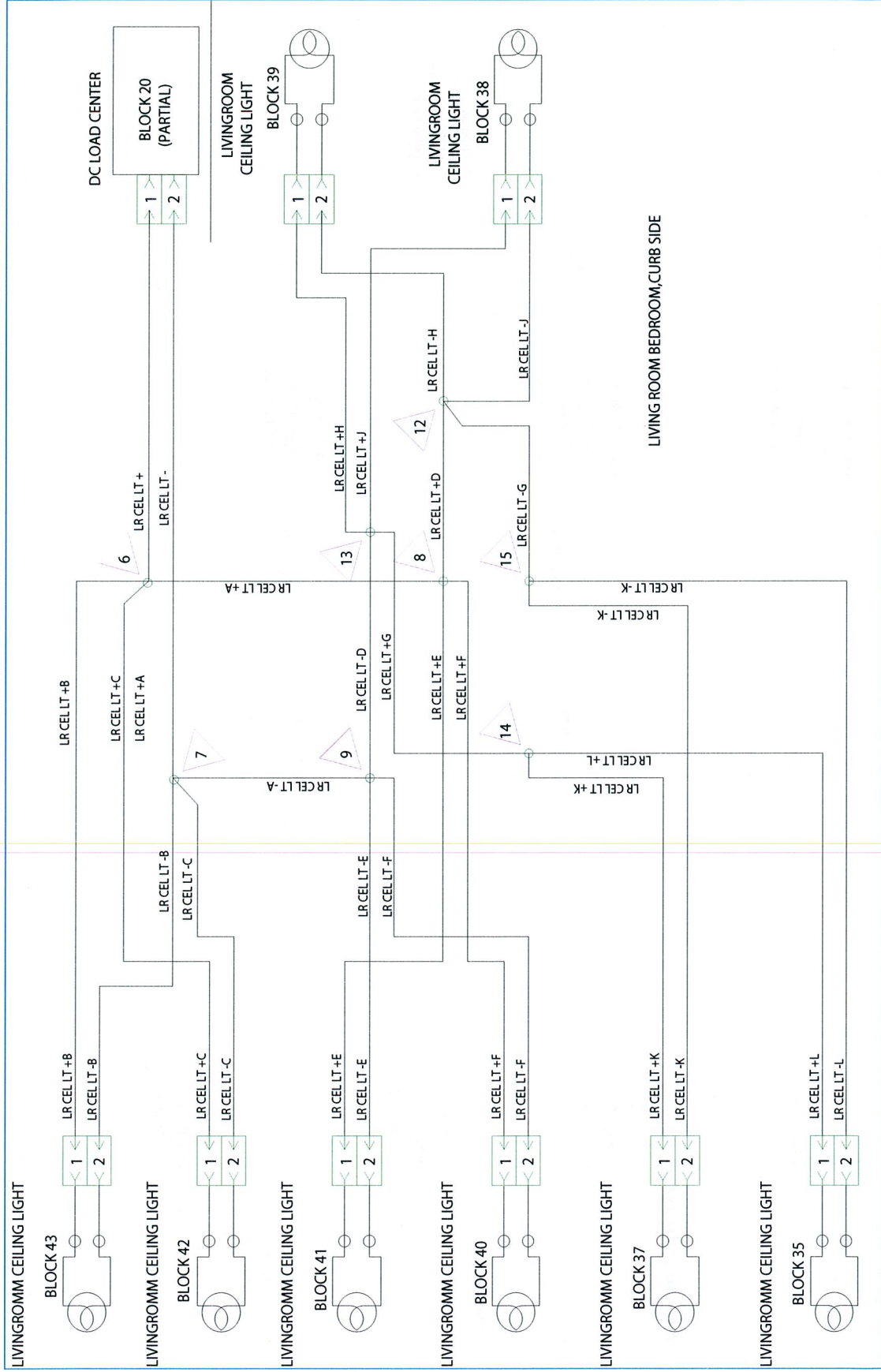
Wiring Schematic 0076677 - Bedroom Ceiling / Vista, Entry Door Lights



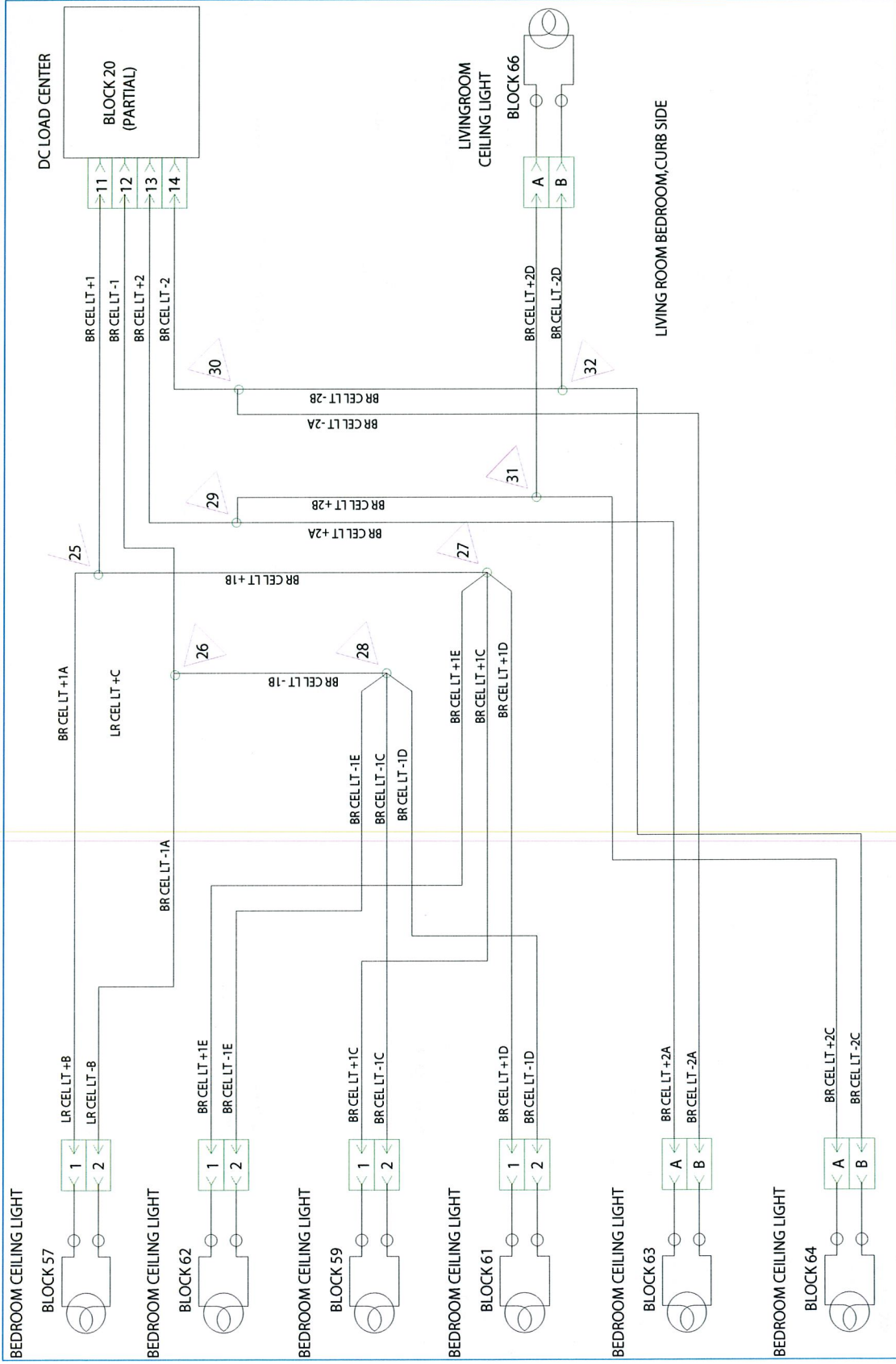
Wiring Schematic 0076659 - CP Switch Panel Signal



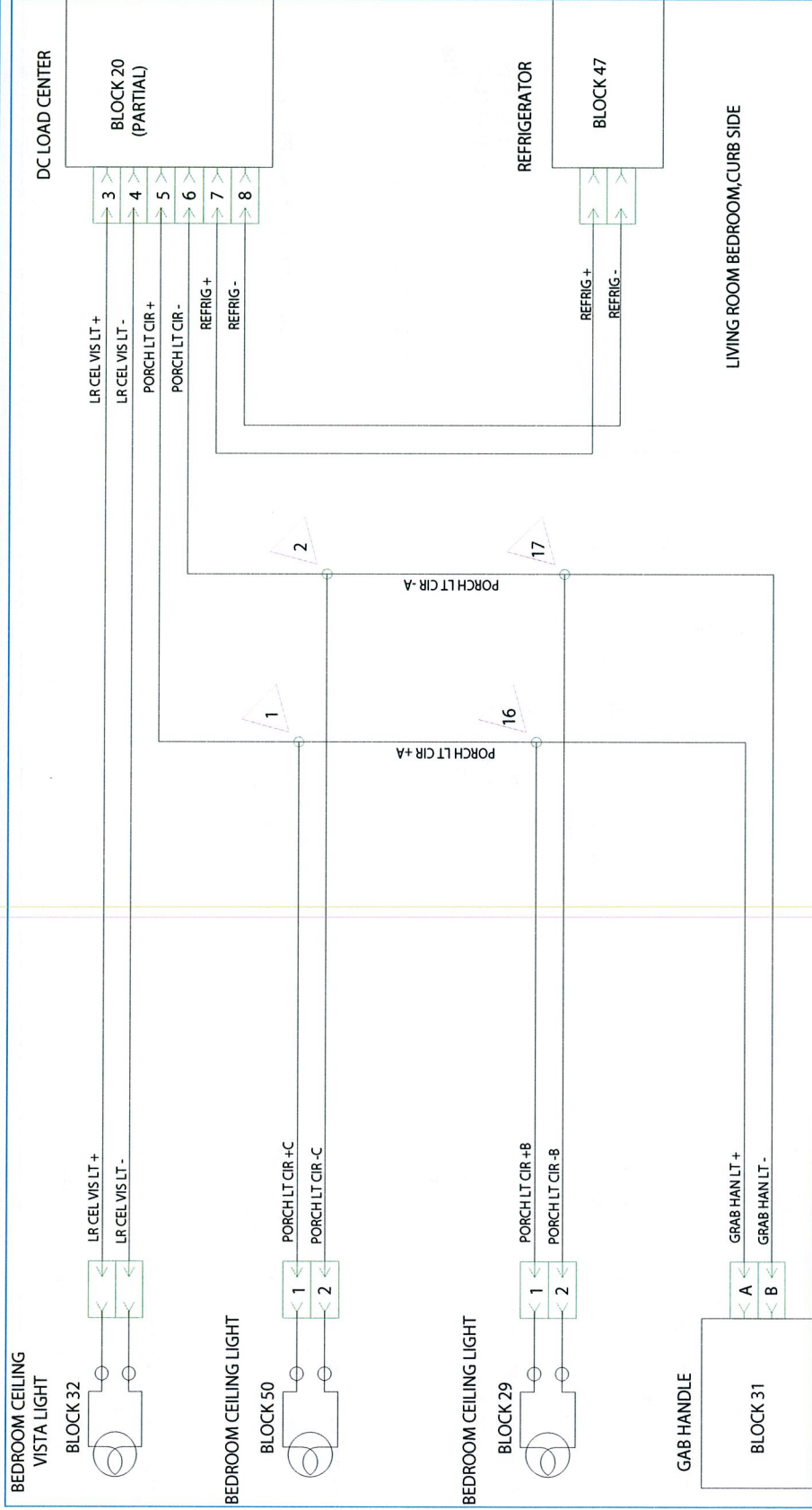
Wiring Schematic 0076642 - Living Room Ceiling Light



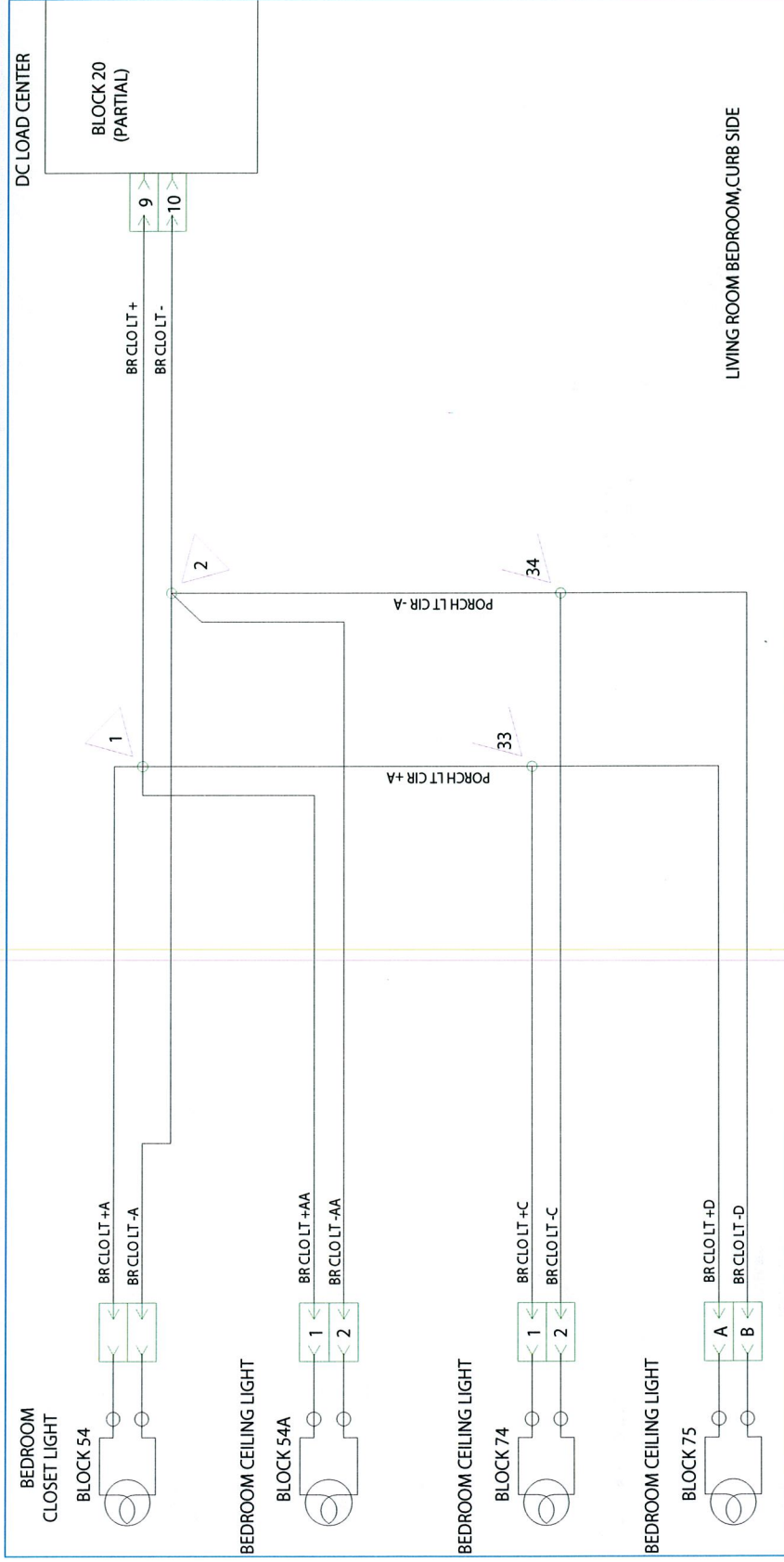
Wiring Schematic 0076675 - Living Room Ceiling Light +1, +2



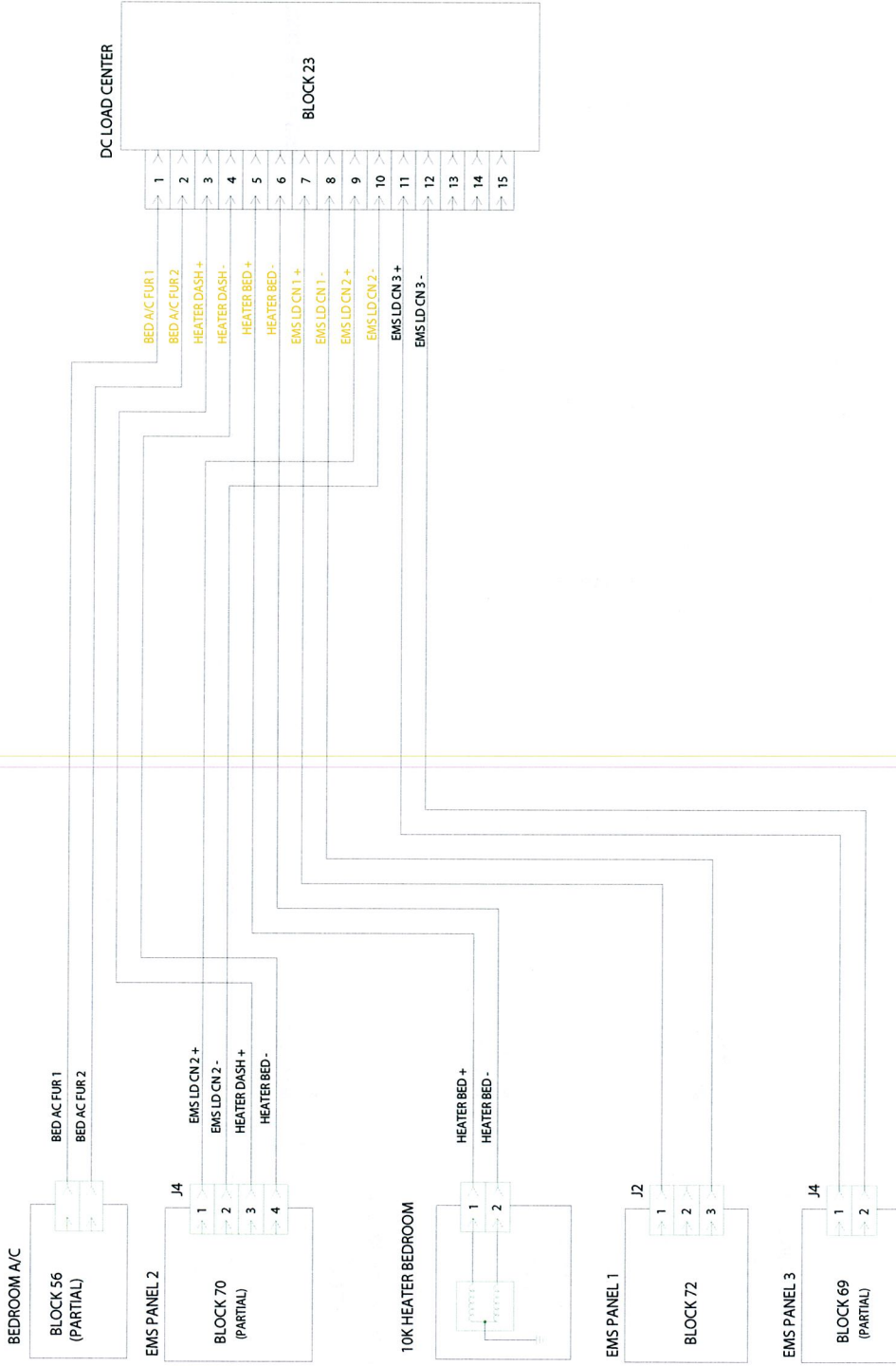
Wiring Schematic 0076775 - Porch, Vista Light, Refrigerator



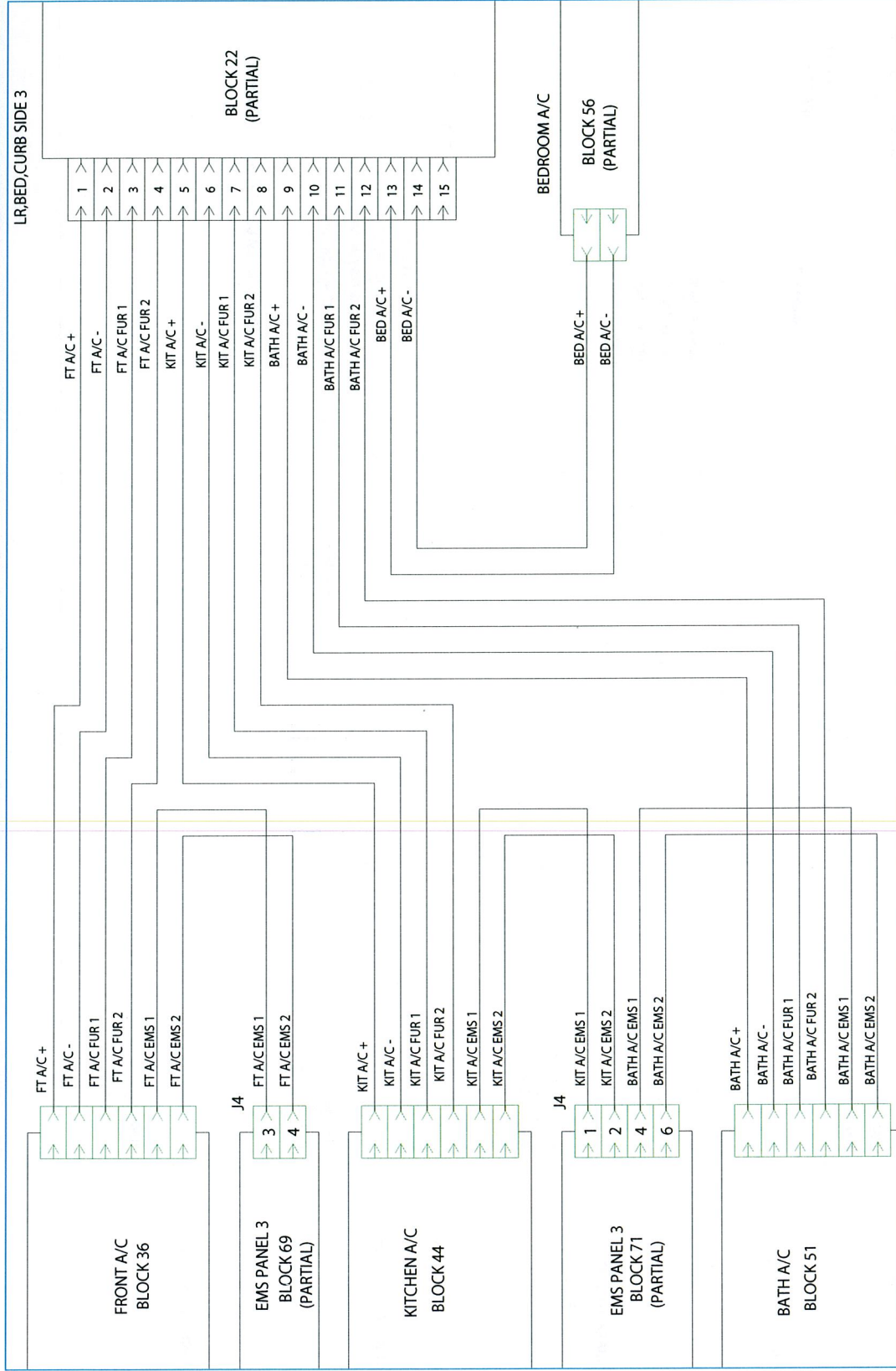
Wiring Schematic 0076777 - Bedroom Closet Light



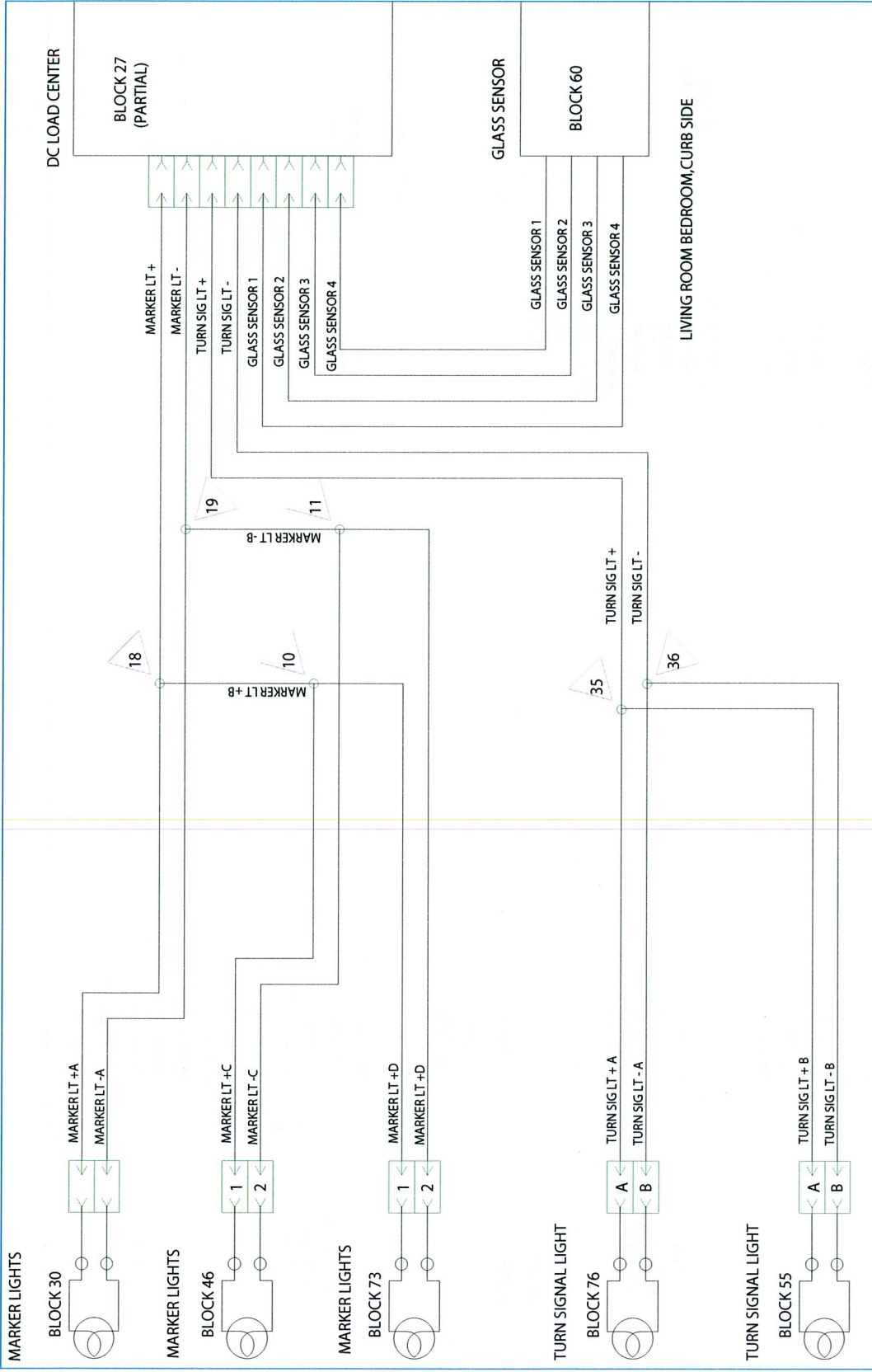
Wiring Schematic 0076779 - Heater Dash, A/C Bedroom



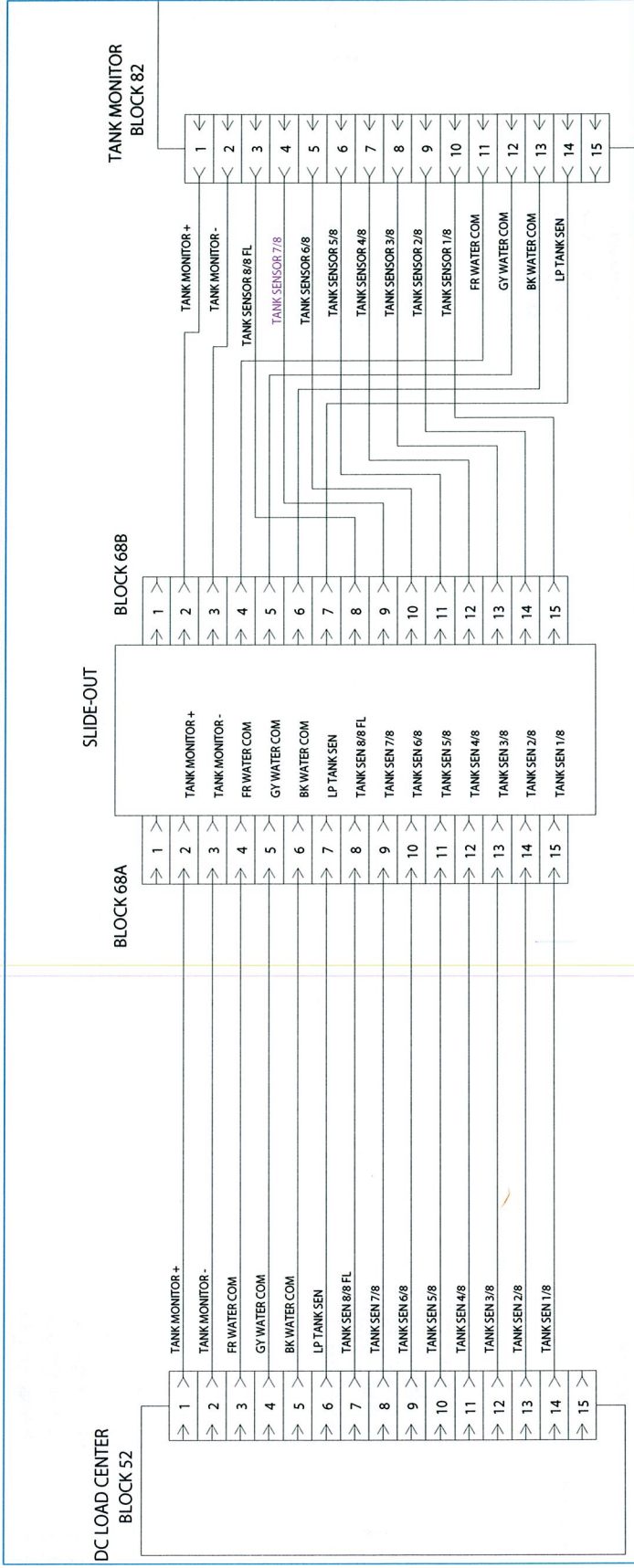
Wiring Schematic 0076781 - House A/C



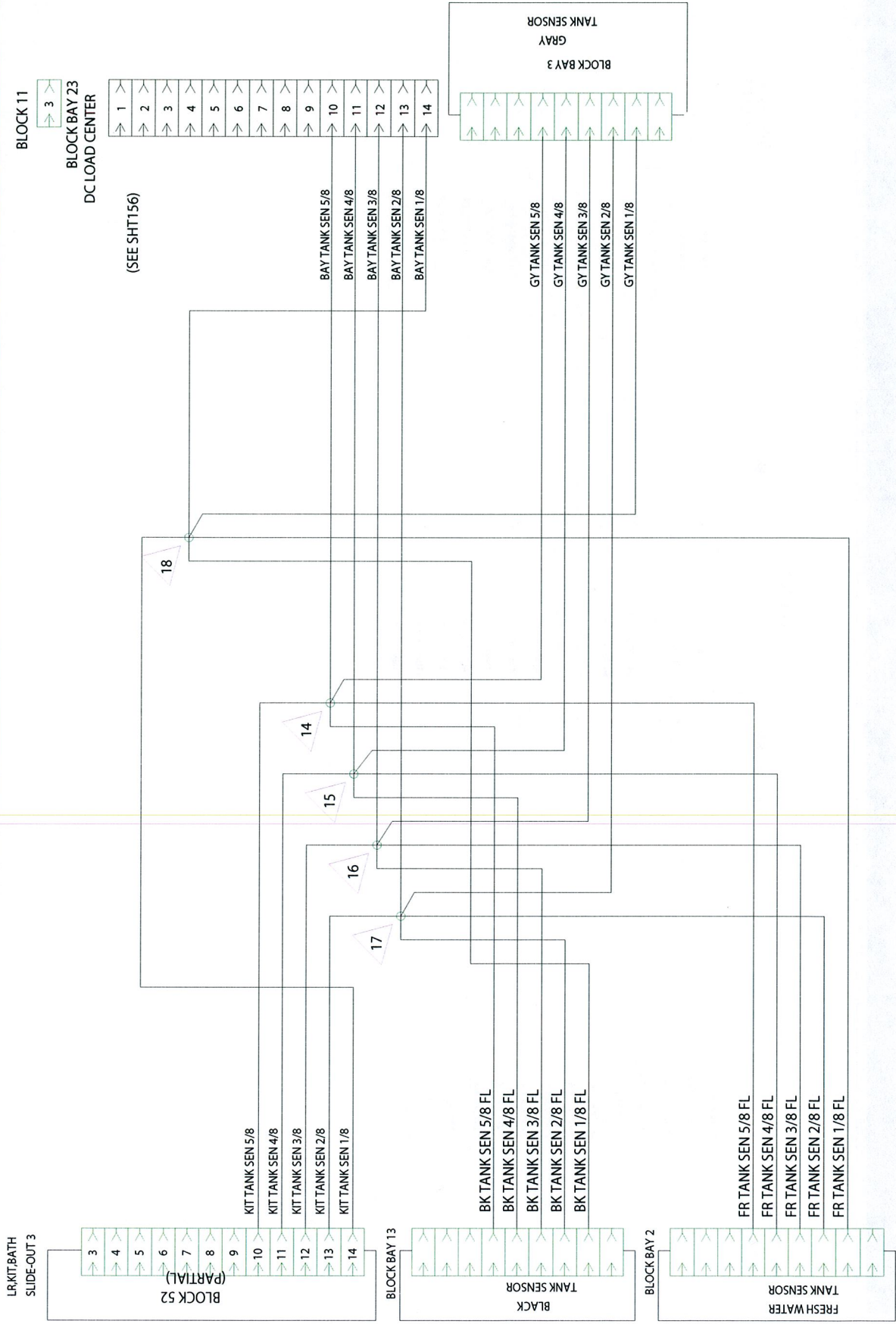
Wiring Schematic 0076782 - Marker / Turn Signal Lights



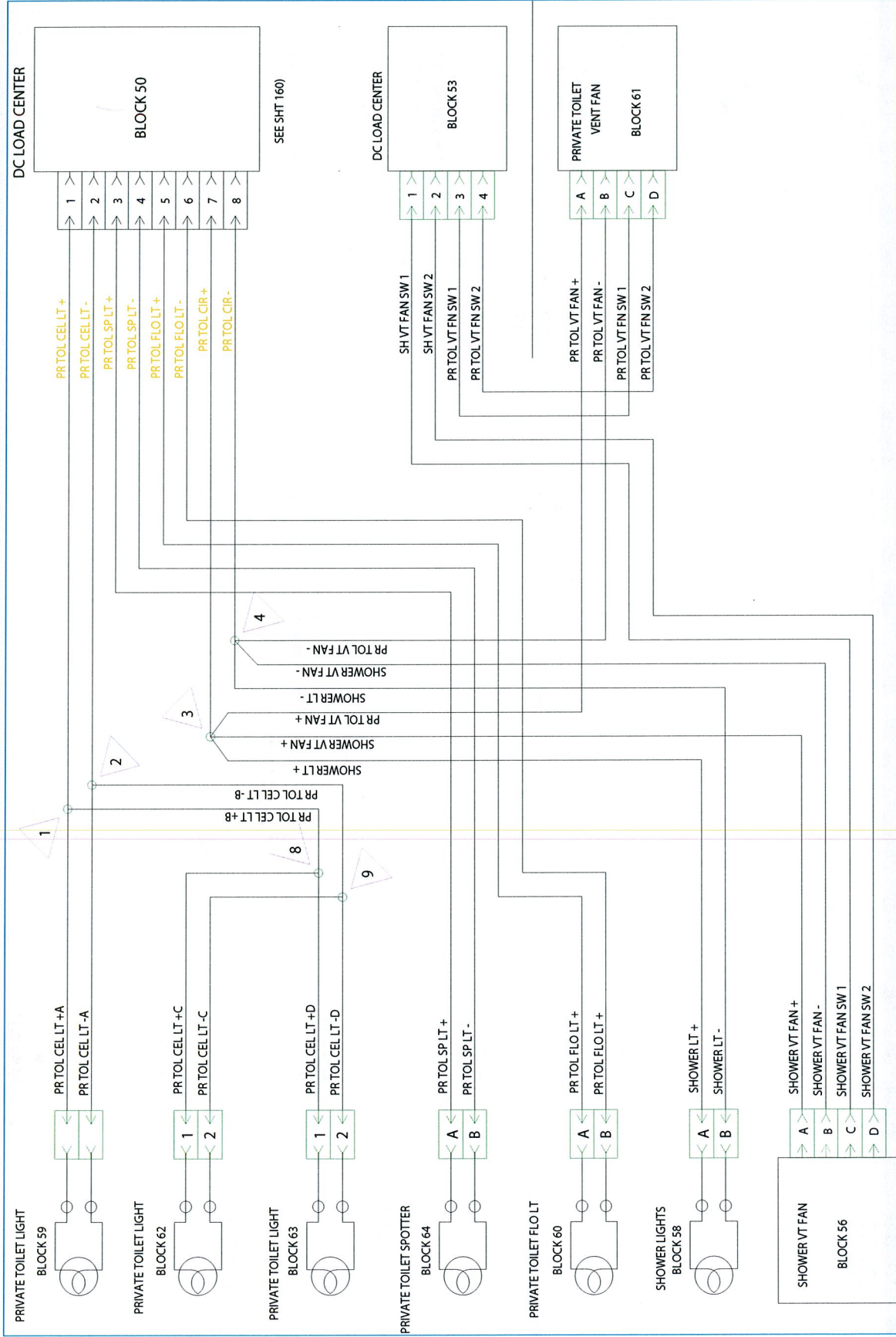
Wiring Schematic 0076823 - Bay LP, Water Com



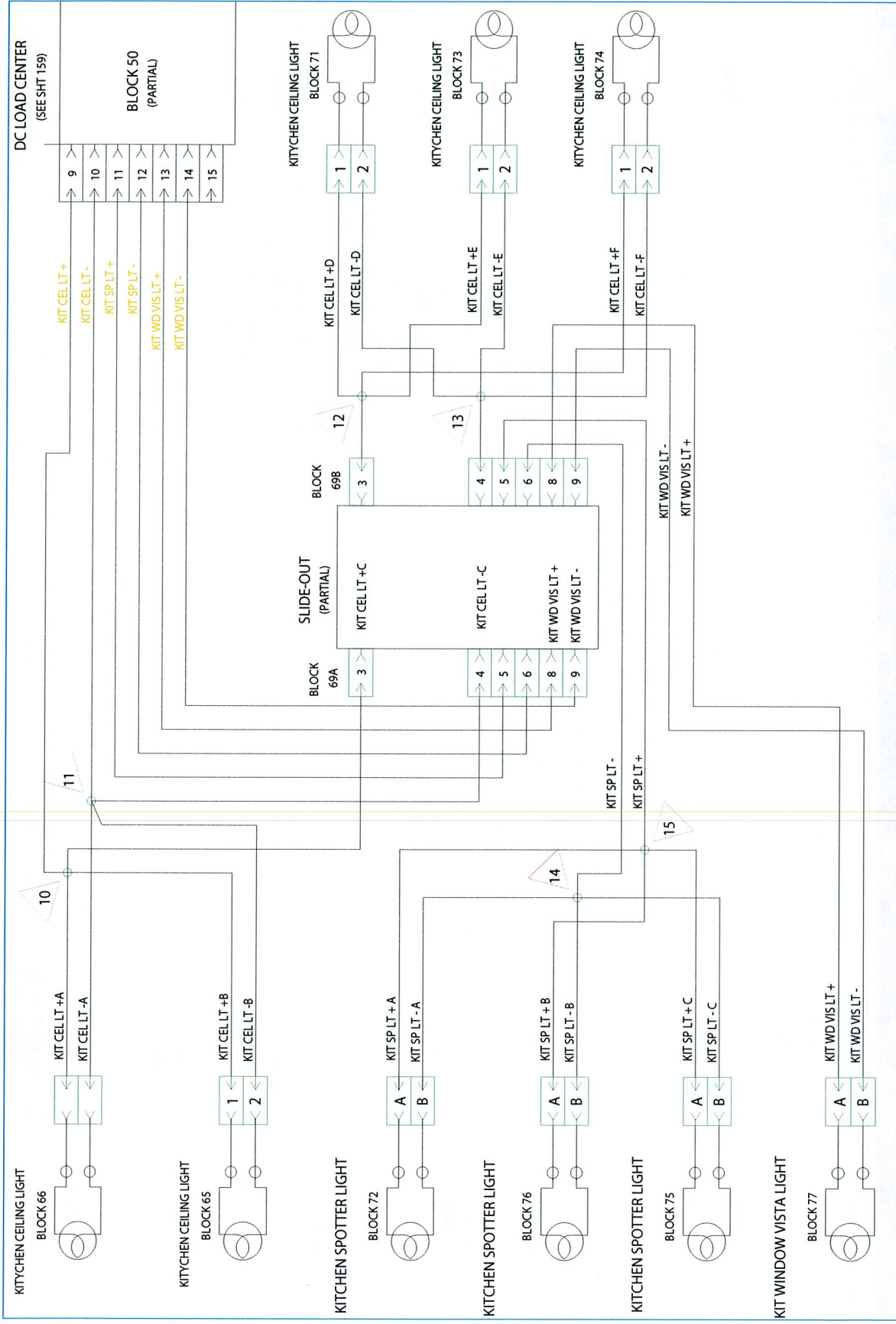
Wiring Schematic 0076797 - Bay Tank Sensor



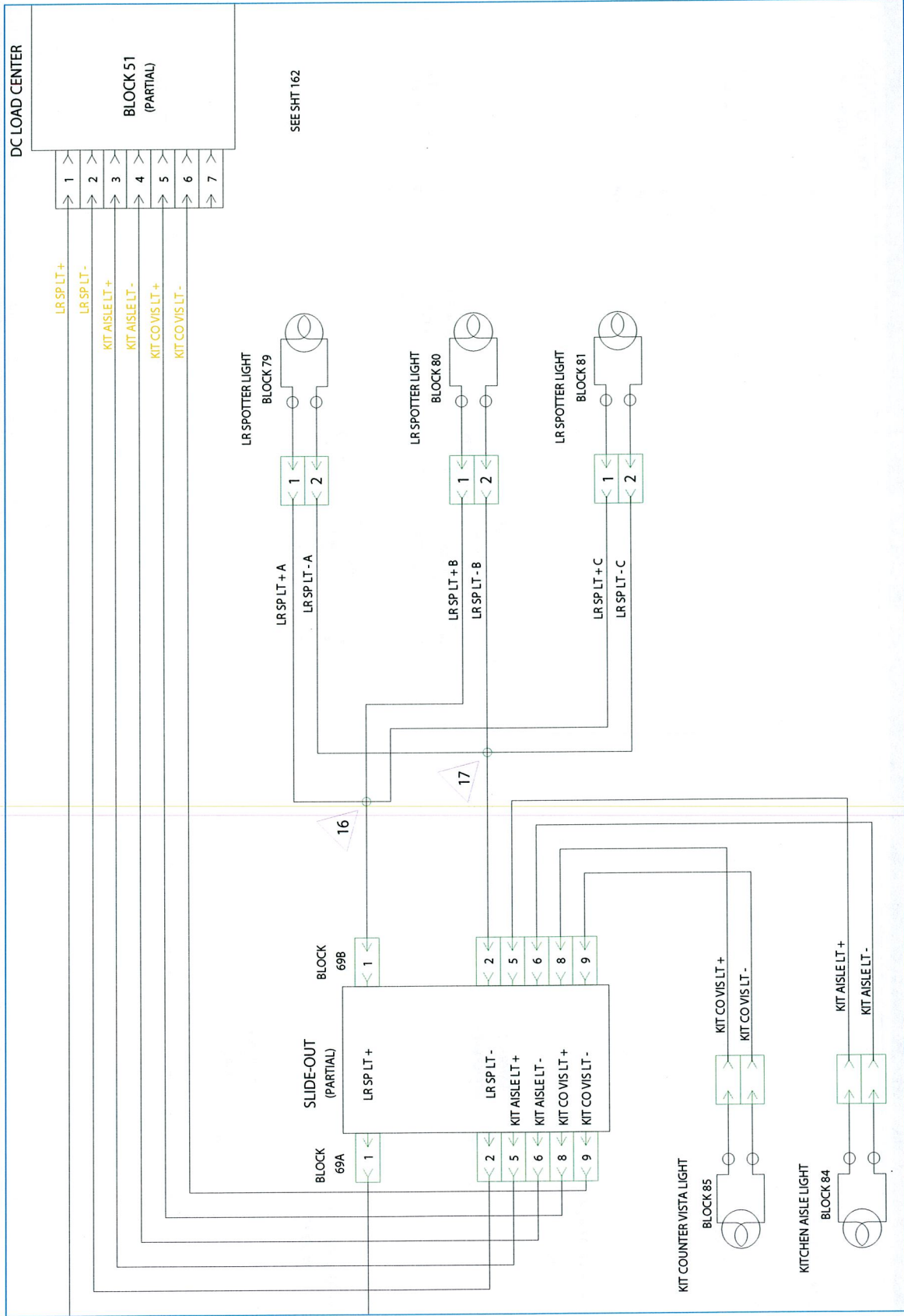
Wiring Schematic 0076833 - Private Toilet Ceiling Light



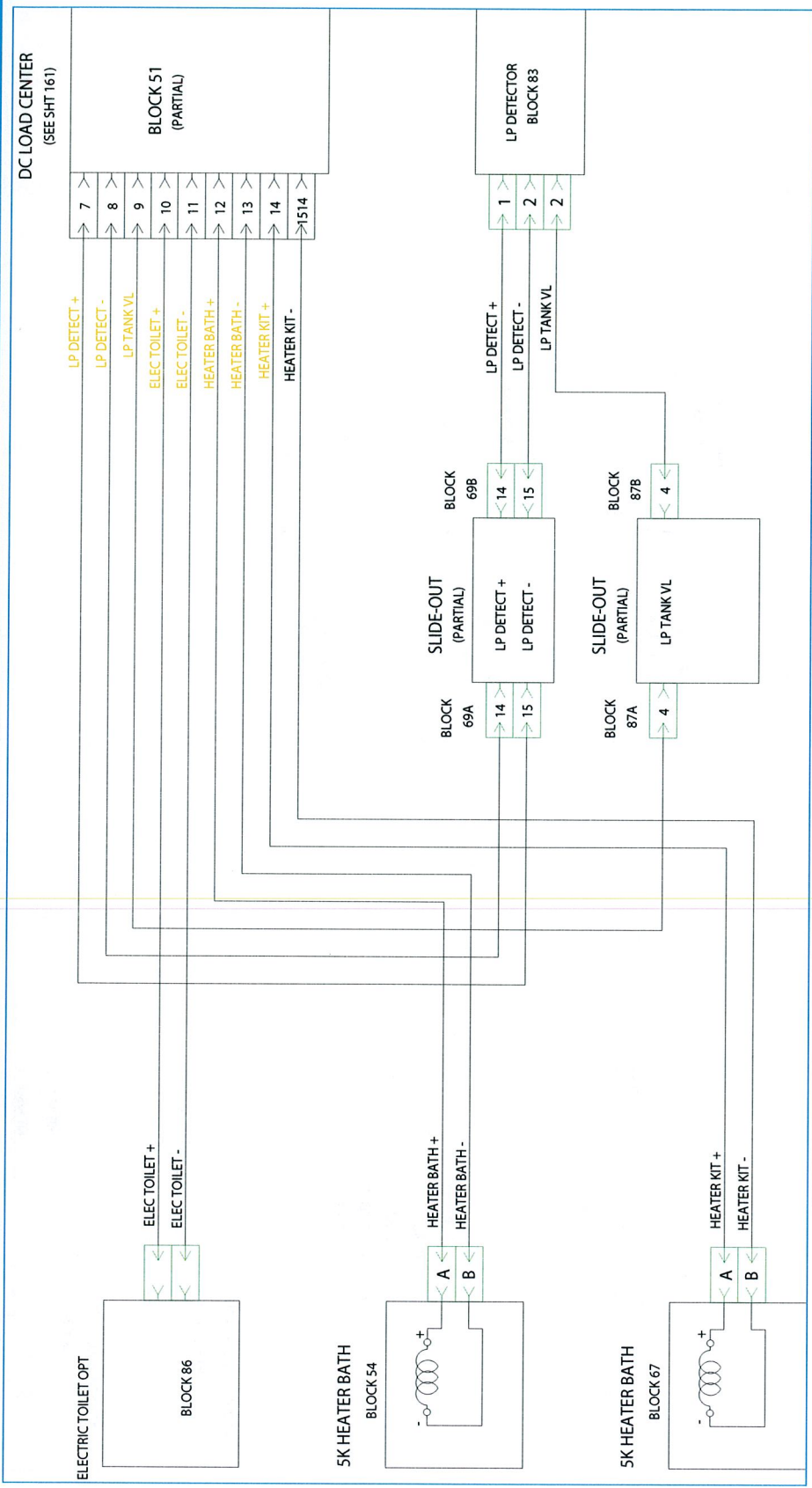
Wiring Schematic 0076836 - Kitchen / Spot Ceiling Light



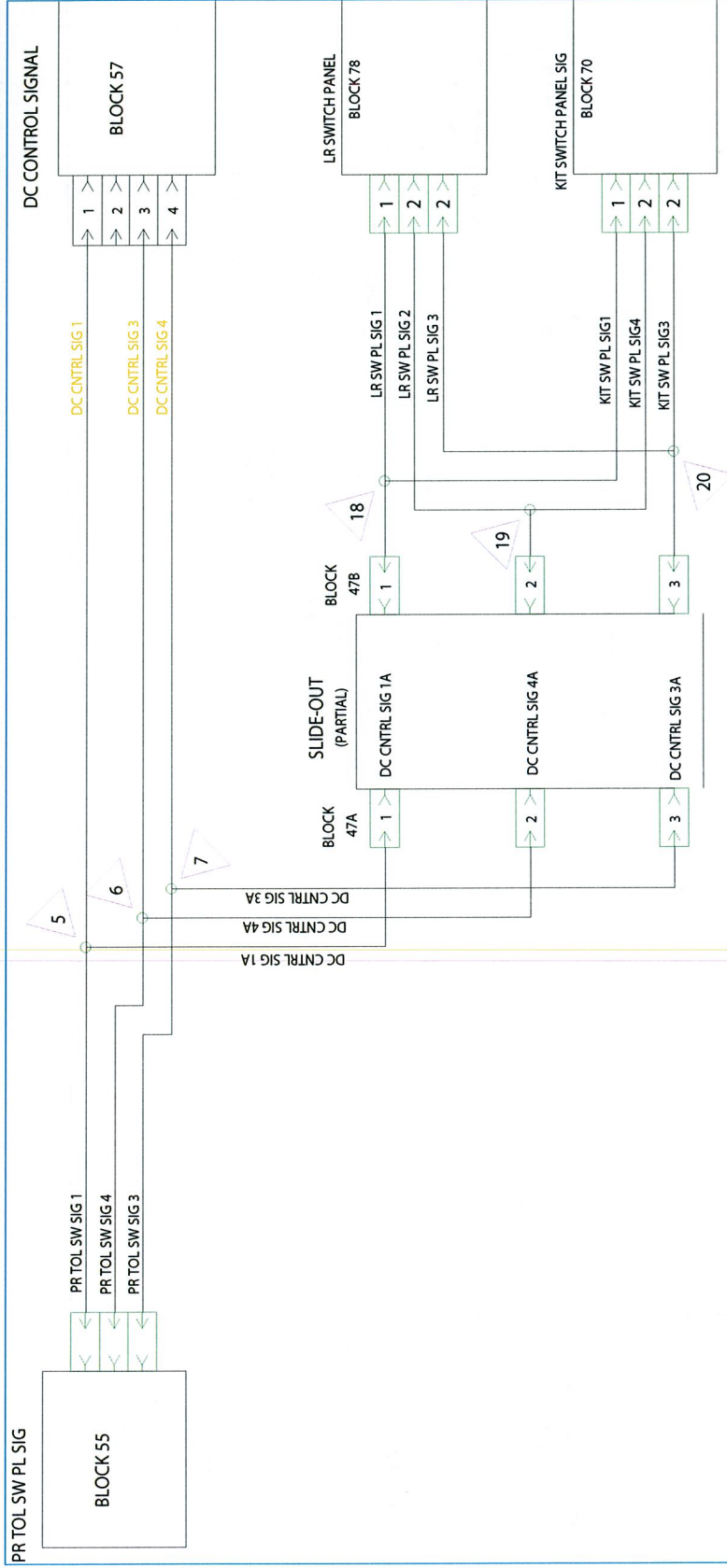
Wiring Schematic 0076847 - Living Room Lights



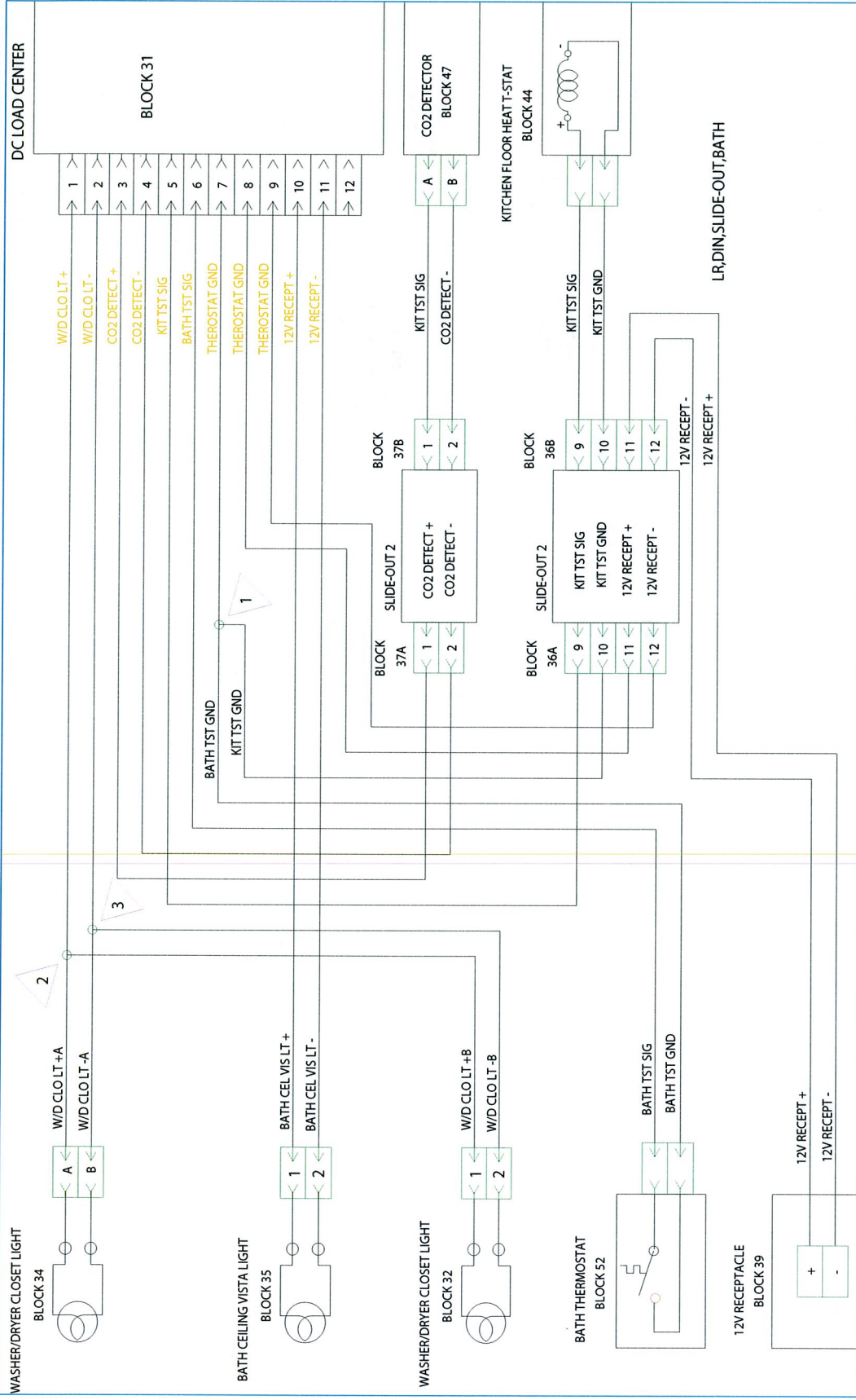
Wiring Schematic 0076846 - Heater Bath / Electric Toilet



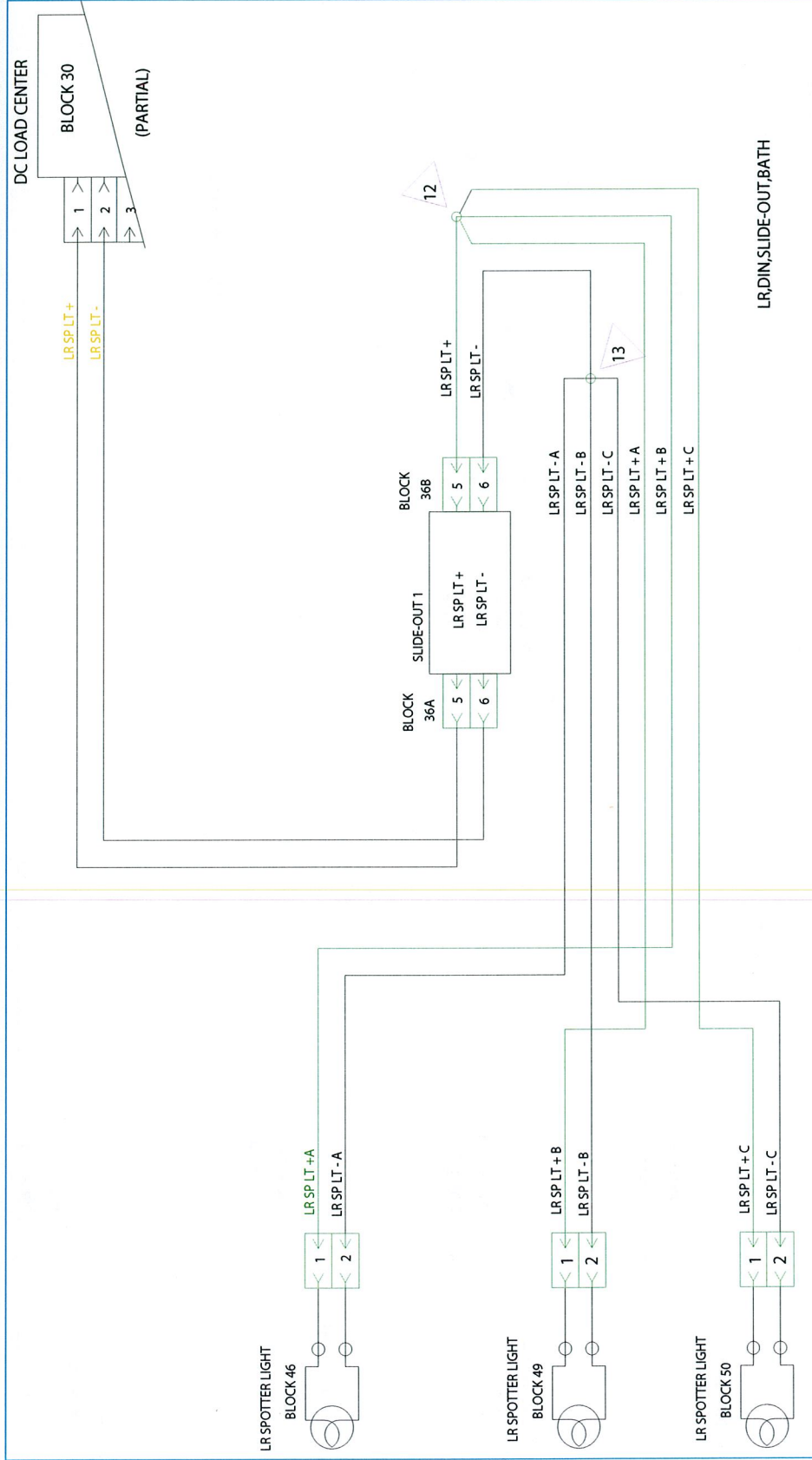
Wiring Schematic 0076859 - DC Control Signal



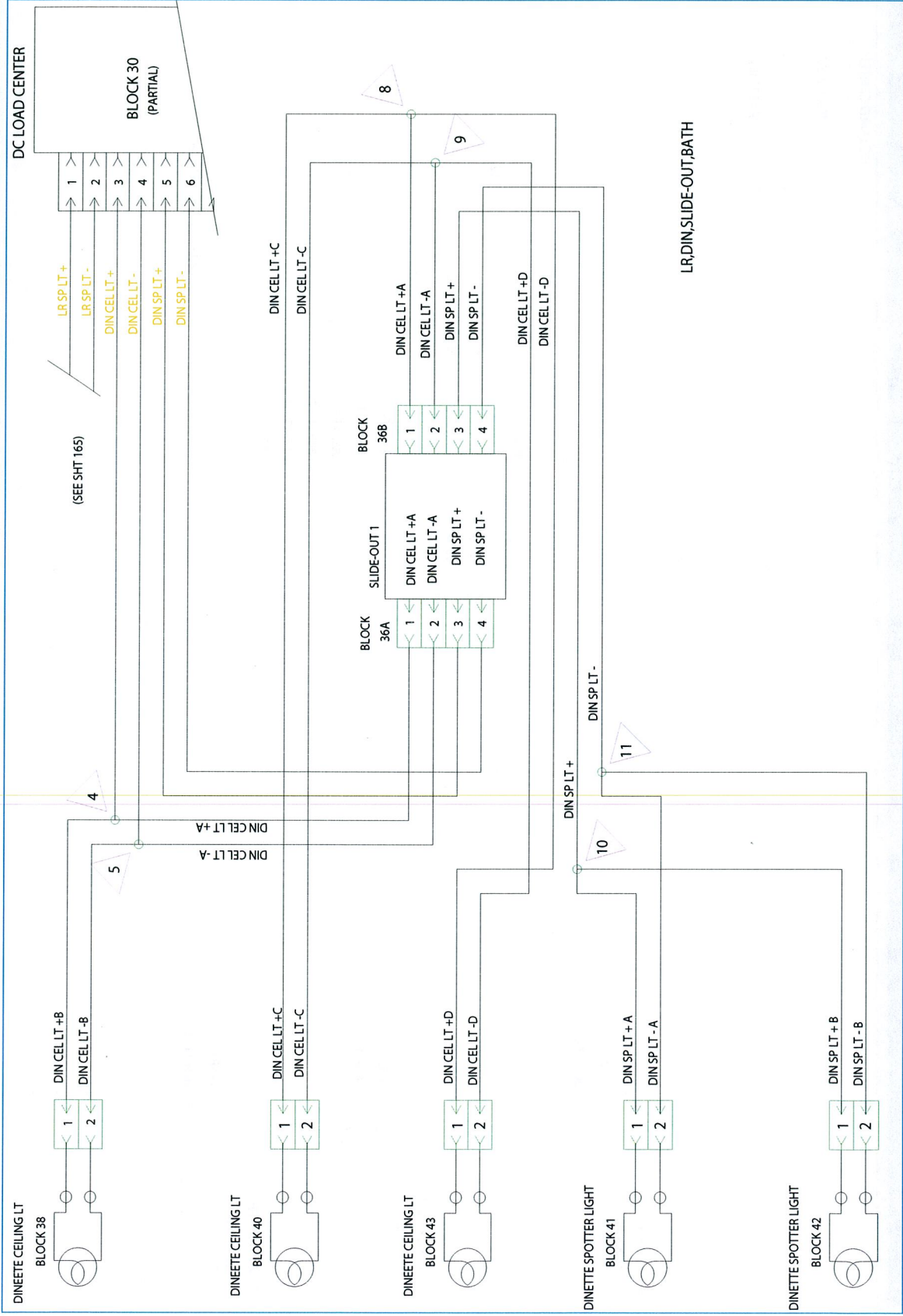
Wiring Schematic 0076872 - Washer / Dryer Closet Lights



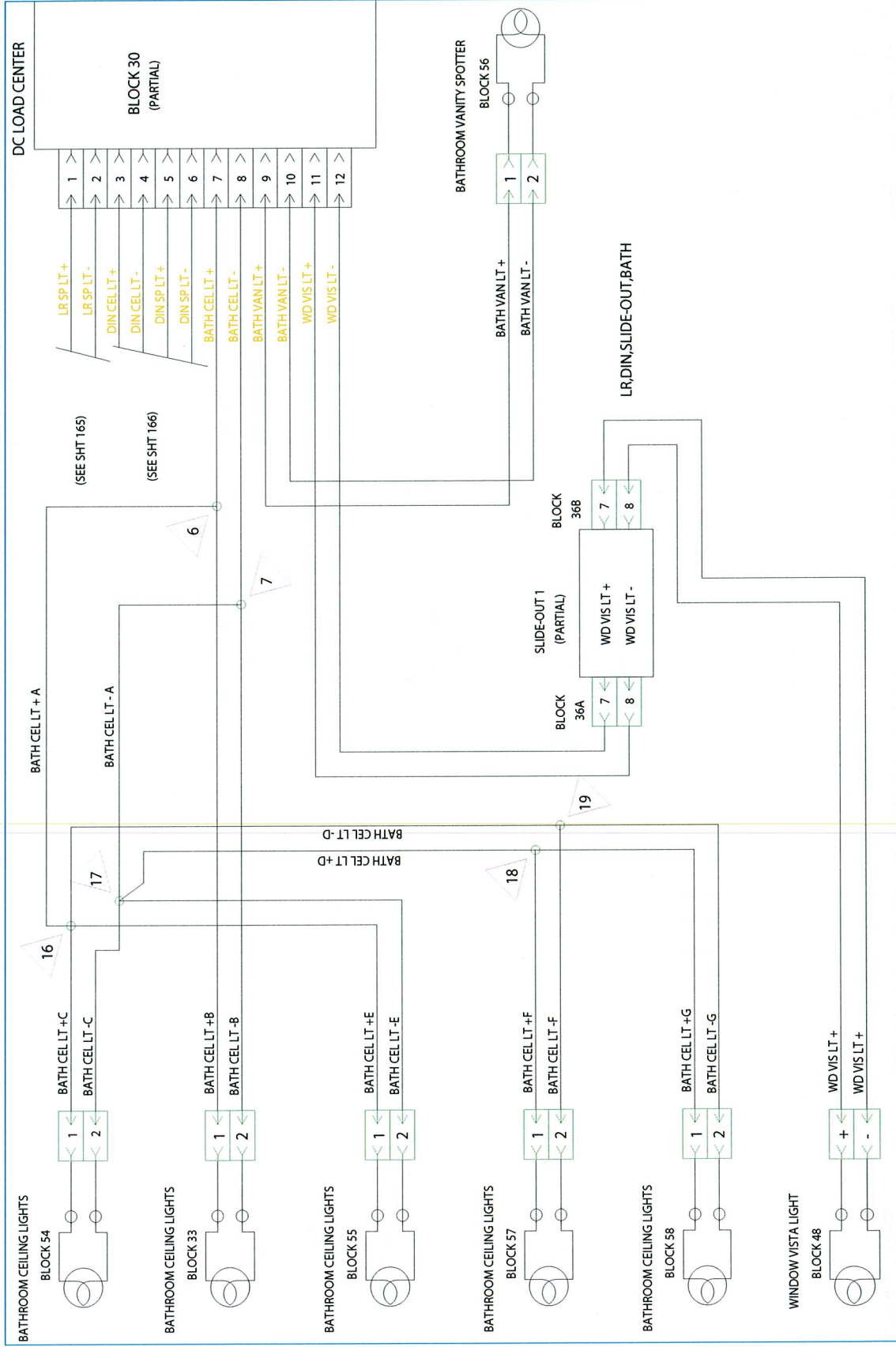
Wiring Schematic 0076873 - Living Room Spot Lights



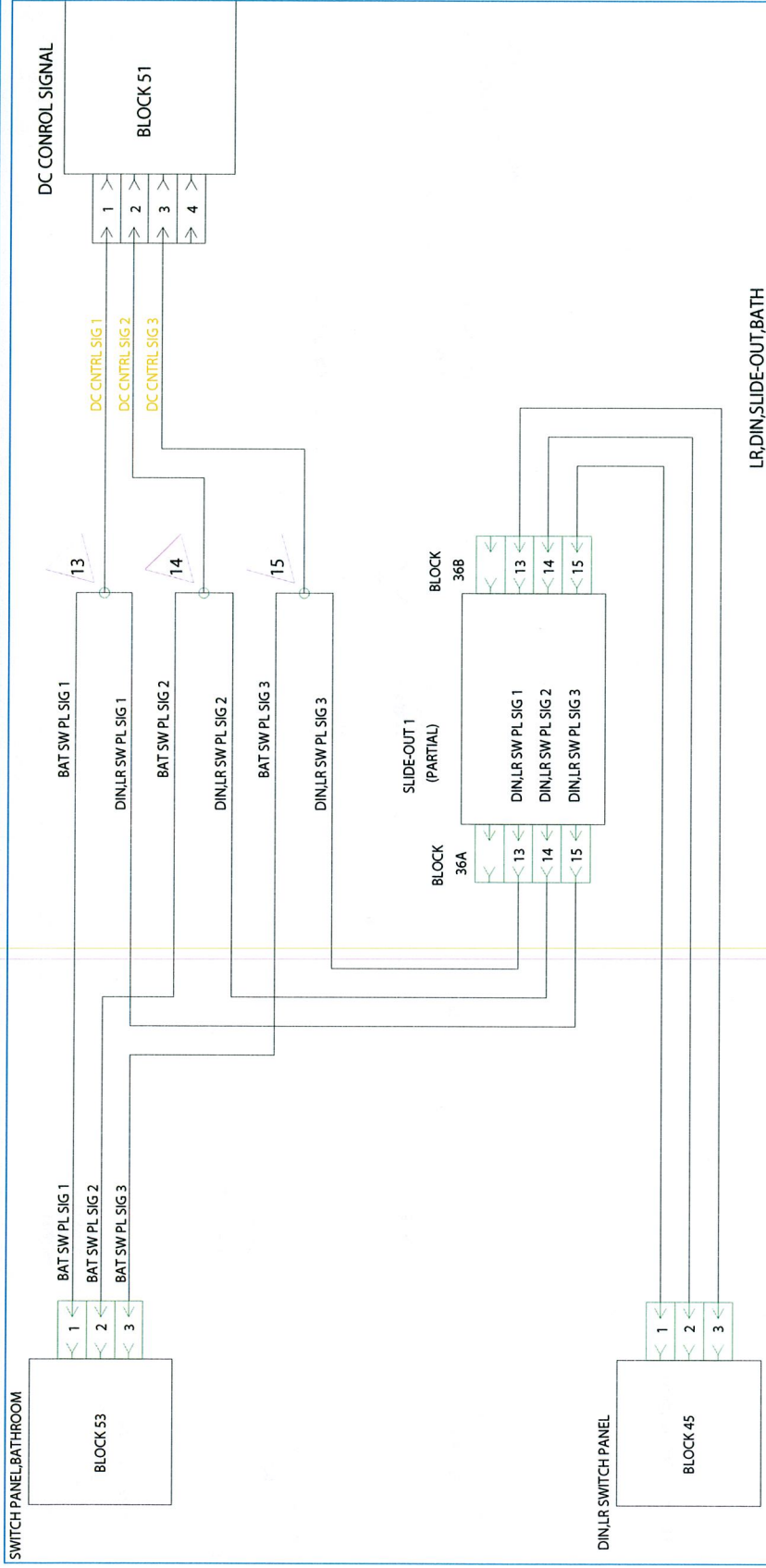
Wiring Schematic 0076874 - Dining Ceiling / Spot Lights



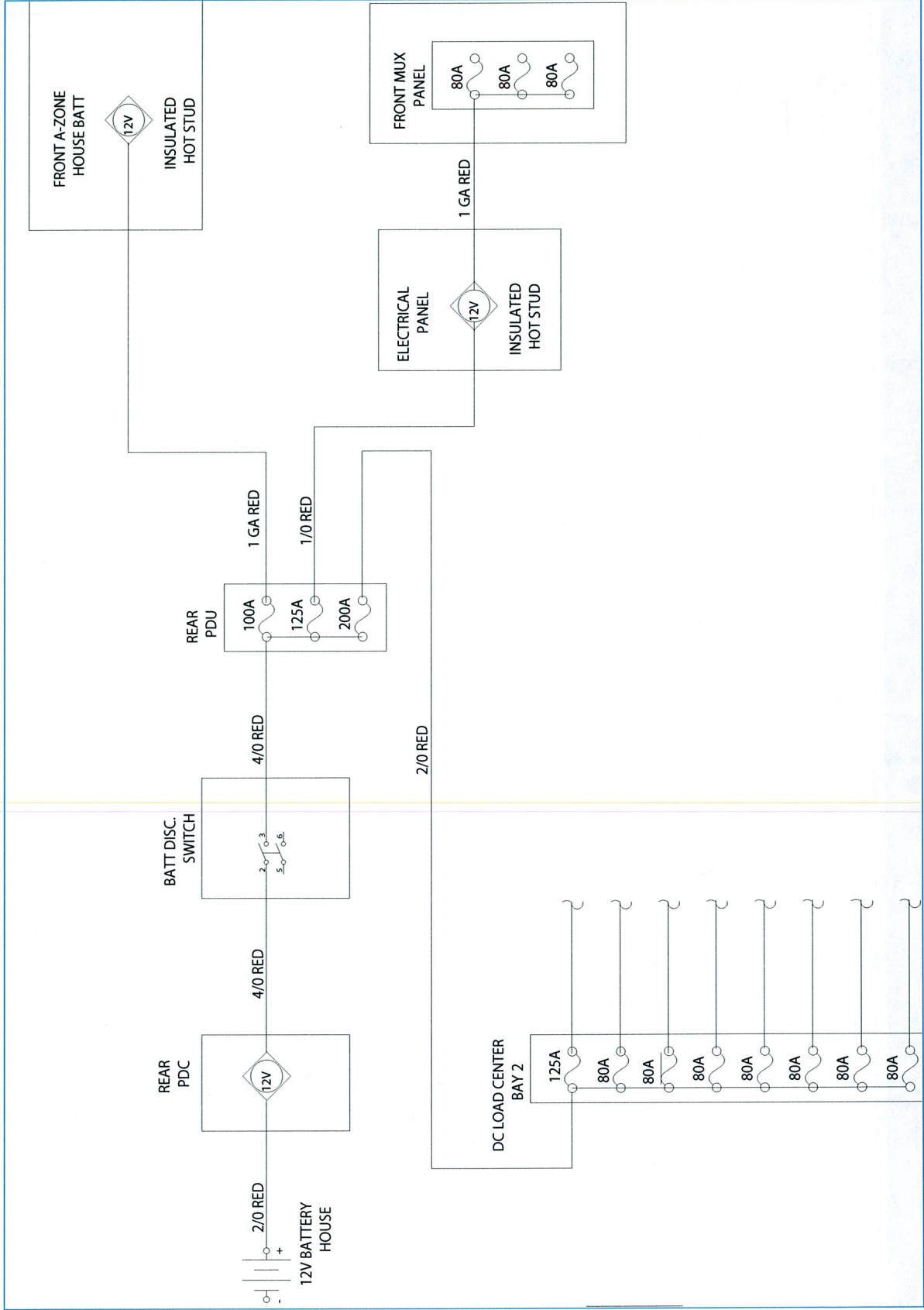
Wiring Schematic 0076875 - Bathroom Ceiling Lights



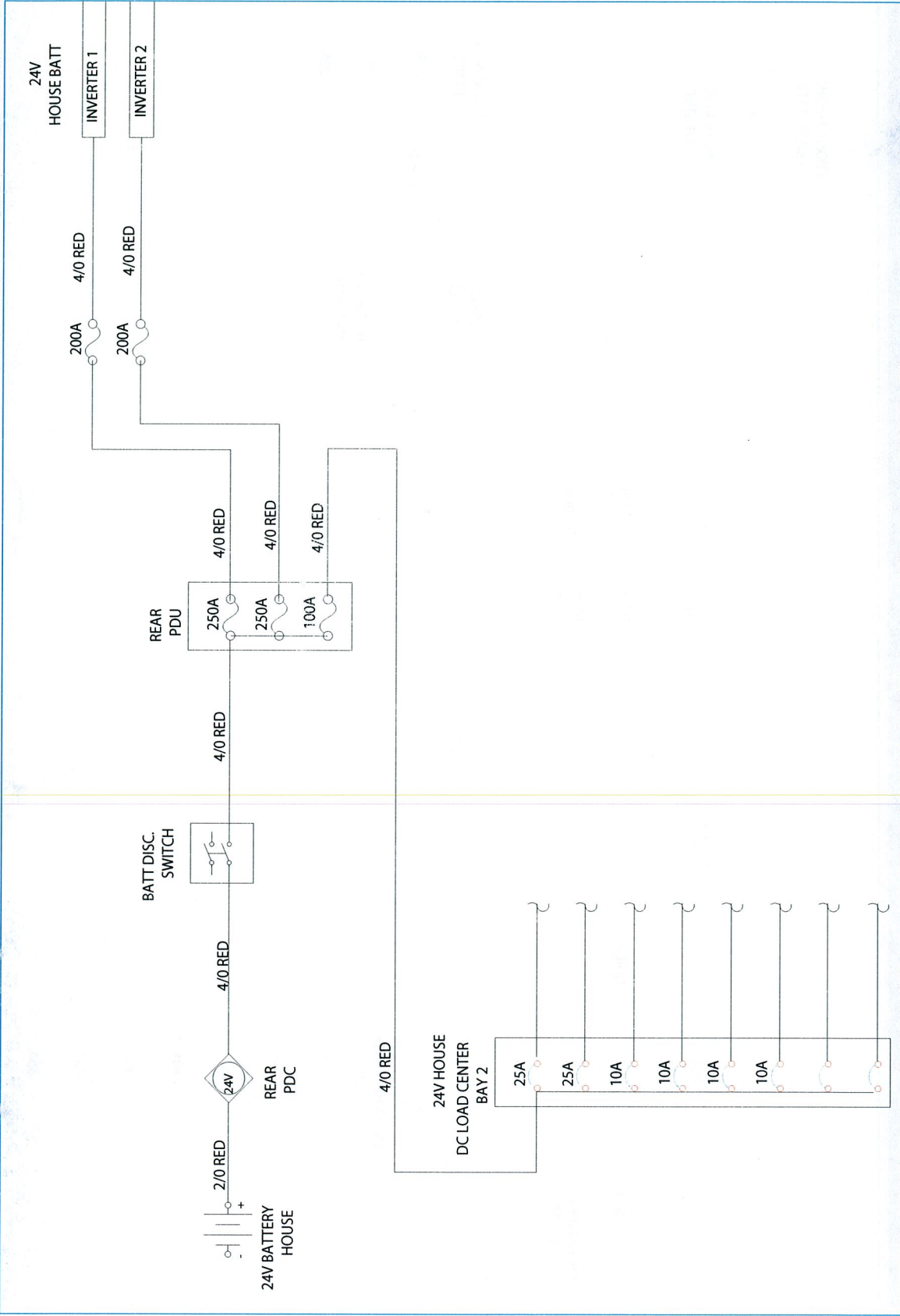
Wiring Schematic 0076901 - DC Control Signal 1,2,3 (Slide-Out 1)



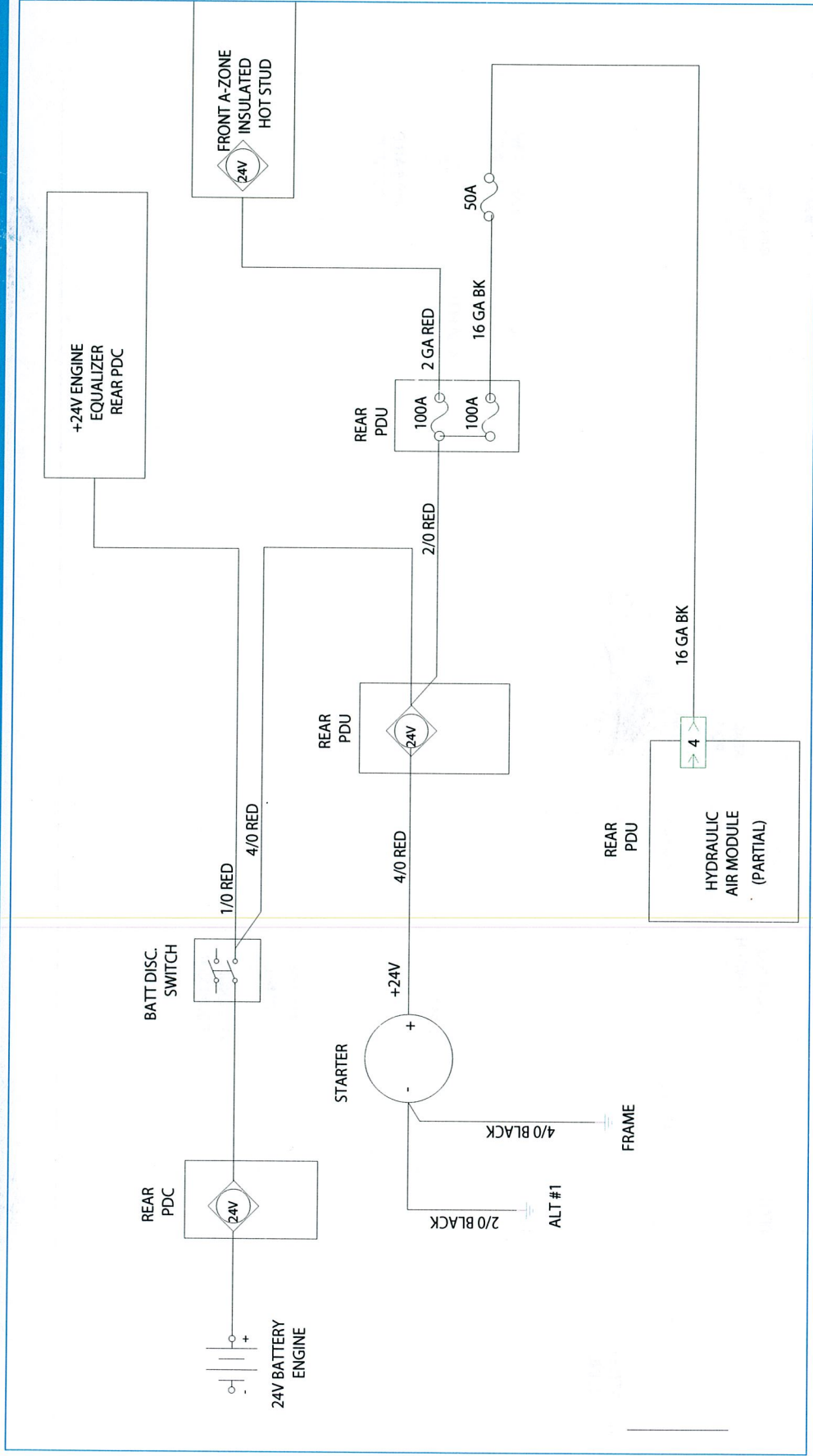
Wiring Schematic 0077396 - 12V House Battery Disconnect Switch



Wiring Schematic 0077397 - 24V House Battery Disconnect Switch



Wiring Schematic 0077339 - 24V Engine Battery Disconnect Switch



Wiring Schematic 0077341 - 12V Engine Battery Disconnect Switch

