



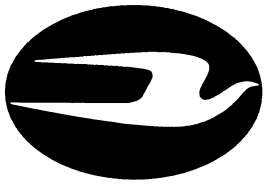
LTC-40

1998-99 Service Parts Catalog



BLUE BIRD

Fort Valley, Georgia ♦ Mount Pleasant, Iowa ♦ LaFayette, Georgia
Brantford, Ontario ♦ Apodaca, Mexico



BLUE BIRD
®

BLUE BIRD BODY CO.

LAFAYETTE, GEORGIA

BODY NO. 92645

CAPACITY 78

MODEL YEAR 1999

BODY SERVICE NO. 172867

FURNISH INFORMATION BELOW WHEN ORDERING AXLE PARTS

CHASSIS
SERIAL 36275

ENGINE
SERIAL 02Z63136

FRONT
AXLE I-146 SA

BRAKE LINING FMSI
NO. & FRICTION CODE NA/FF

BRAKE
DRUM 1117357

REAR
AXLE J-230 SB

BRAKE LINING FMSI
NO. & FRICTION CODE 4544B/FF

BRAKE
DRUM 1145465

REAR AXLE RATIO 4.63

CHASSIS SERVICE NO. 972200

The above data plates represent examples only.

©1998 BLUE BIRD BODY COMPANY
ALL RIGHTS RESERVED



Published 02-99

PUBLICATION NO. 00-08-83-50-02-02

TABLE OF CONTENTS
LTC 40

<u>DESCRIPTION</u>	<u>PAGE</u>
FRONT AXLE	
SPICER I-146	2
REAR AXLE	
SPICER W-230	6
BRAKES & WHEEL END COMPONENTS	
FRONT BRAKES	10
REAR BRAKES, 8.62"	12
TAG AXLE BRAKES	13a
WHEEL END COMPONENTS	
FRONT AXLE	48
REAR AXLE	50
TAG AXLE	52
DUAL AIR BRAKE DIAGRAM	
GOVERNOR ASSY., AIR COMPRESSOR	18
RESERVOIR ASSY., REAR AIR BRAKE	19
AIR DRYER ASSY., AD-9	20
RESERVOIR ASSY., WET AIR TANK	21
RESERVOIR ASSY., AUXILIARY WET, AIR BRAKE	22
MANIFOLD ASSY., REAR, AIR BRAKE	23
RESERVOIR ASSY., FRONT	24
VALVE ASSY., SPRING BRAKE	25
VALVE ASSY., DOUBLE CHECK	26
VALVE ASSY., PARKING BRAKE CONTROL	27
MANIFOLD ASSY., FRONT AIR BRAKE	28
ABS INSTALLATION	
(ENDING W/ CSN F10001279)	30
(BEGINNING W/ CSN F10001280)	32
VALVE ASSY., ABS FRONT AXLE	
(FROM CSN 1000004 TO CSN 10000948)	34
(BEGINNING W/ CSN 10000949)	36
VALVE ASSY., ABS DRIVE AXLE	
(ENDING W/ CSN F10001438)	38
(BEGINNING W/ CSN F10001439)	40
VALVE ASSY., ABS TAG AXLE	
(ENDING W/ CSN F10001279)	42
(FROM CSN F10001280 TO CSN F10015624)	44
(BEGINNING W/ CSN F10015625)	46
COOLING	
COOLING SYSTEM	
FEATURE 40189-01 – CUMMINS M11	54
FEATURE 40190-01 – DETROIT DIESEL SERIES 60	58

**TABLE OF CONTENTS
LTC 40**

<u>DESCRIPTION</u>	<u>PAGE</u>
DRIVELINE	
1810 SERIES	
FEATURE 40189-01, 40190-01	62
ENGINE TRIM	
FEATURE 40189-01 (CUMMINS M11)	64
AIR INTAKE	68
FEATURE 40190-01 (DETROIT DIESEL SERIES 60)	66
AIR INTAKE	70
AIR CONDITIONER MOUNTING	
FEATURE 38102-01 W/ FEATURE 40189-01 OR 40190-01	72
EXHAUST	
FEATURE 40189-01 (CUMMINS M11)	74
FEATURE 40190-01 (DETROIT DIESEL SERIES 60)	76
ELECTRICAL	
ELECTRICAL PANEL, FRONT OUTSIDE ACCESS	
FEATURE 40189-01 (CUMMINS M11)	
(ENDING W/ CSN 10016909)	78
(BEGINNING W/ CSN 10016910)	80
FEATURE 40190-01 (DETROIT DIESEL SERIES 60)	
(ENDING W/ CSN 10016909)	82
(BEGINNING W/ CSN 10016910)	84
ELECTRICAL COMMON PARTS	
FEATURE 40189-01 (CUMMINS M11)	86
FEATURE 40190-01 (DETROIT DIESEL SERIES 60)	88
FRONT LOAD CENTER COMPONENTS	91
ENTRANCE DOOR ELECTRICAL CONTROL PANEL	92
BATTERY CABLES/ BATTERY COMPARTMENT	94
BATTERY POWER DISTRIBUTION – ENGINE COMPARTMENT	96
TERMINALS	98, 100
FRAME	
FRAME ASSEMBLY	
FEATURE 40189-01, 40190-01	
(ENDING W/ CSN 10000304)	102
(BEGINNING W/ CSN 10000305)	106
BUMPER	
FRONT	108
REAR	110
FUEL SYSTEM	
176 GALLON	
FEATURE 40189-01 (CUMMINS M11)	112
FEATURE 40190-01 (DETROIT DIESEL SERIES 60)	114

**TABLE OF CONTENTS
LTC 40**

<u>DESCRIPTION</u>	<u>PAGE</u>
INSTRUMENTS	
PANEL CONTROL	
CAB SHIFTER	
FEATURE 40189-01 (CUMMINS M11)	117
FEATURE 40190-01 (DETROIT DIESEL SERIES 60)	118
DASH, RH UPPER	
FEATURE 40189-01 (CUMMINS M11)	120
FEATURE 40190-01 (DETROIT DIESEL SERIES 60)	122
DASH, UPPER	
FEATURE 40189-01 (CUMMINS M11)	124
FEATURE 40190-01 (DETROIT DIESEL SERIES 60)	124
DASH, RH LOWER – *W/ REI VIDEO SYSTEMS	
FEATURE 40189-01 (CUMMINS M11)	126
FEATURE 40190-01 (DETROIT DIESEL SERIES 60)	126
DASH, RH LOWER	
FEATURE 40189-01 (CUMMINS M11)	128
FEATURE 40190-01 (DETROIT DIESEL SERIES 60)	128
DASH, LOWER	
(ENDING W/ CSN F10001279)	
FEATURE 40189 (CUMMINS M11)	130
FEATURE 40190 (DETROIT DIESEL SERIES 60)	130
(BEGINNING W/ CSN F10001280)	
FEATURE 40189-01 (CUMMINS M11)	132
FEATURE 40190-01 (DETROIT DIESEL SERIES 60)	134
ARMREST, T2 PAD	
(ENDING W/ CSN 10000308)	
FEATURE 40189 (CUMMINS M11)	136
FEATURE 40190-01 (DETROIT DIESEL SERIES 60)	136
(FROM CSN10000309 TO CSN 10001279)	
FEATURE 40189-01 (CUMMINS M11)	138
FEATURE 40190-01 (DETROIT DIESEL SERIES 60)	138
(BEGINNING W/ CSN 10001280) – *FOR UNITS W/ CUSTOM RADIO SYSTEMS	
FEATURE 40189-01 (CUMMINS M11)	140
FEATURE 40190-01 (DETROIT DIESEL SERIES 60)	140
(BEGINNING W/ CSN 10001280) – #FOR UNITS W/ REI VIDEO SYSTEMS	
FEATURE 40189-01 (CUMMINS M11)	142
FEATURE 40190-01 (DETROIT DIESEL SERIES 60)	142
STEERING	
STEERING SYSTEM	
(ENDING W/ CSN 10001182)	144
(BEGINNING W/ CSN 10001183)	146

**TABLE OF CONTENTS
LTC 40**

<u>DESCRIPTION</u>	<u>PAGE</u>
SUSPENSION	
AIR SUSPENSION, FRONT	148–153
STABILIZER BAR	154
AIR SUSPENSION, REAR (ENDING W/ CSN 10000111)	156–161
AIR SUSPENSION, REAR, TAG, NONLIFT (ENDING W/ CSN 10000111)	162–167
AIR SUSPENSION, REAR, DRIVE/FIXED TAG (BEGINNING W/ CSN 10000112)	168–186
KNEELING SYSTEM (FEATURE 40015–02)	187
HEIGHT CONTROL VALVE	188
KNEELING SYSTEM ELECTRICAL COMPONENTS	190
VALVE ASSY., PRESSURE REGULATOR, DOUBLE CHECK	192
CONTROL VALVE ASSY.	195
AIR SUSPENSION, PIPING AND VALVE ASSY.	196
MANIFOLD ASSY., REAR SUSPENSION	198
VALVE ASSY., DRIVE AXLE, PILOT RELAY	199
MANIFOLD ASSY., AIR SUPPLY, AIR SUSPENSION	200
MANIFOLD ASSY., FRONT SUSPENSION	201
VALVE ASSY., SOL., 2 WAY	202
ACCELERATOR	
ELECTRONIC THROTTLE CONTROL	206
TRANSMISSION	
TRANSMISSION COMPONENTS	
FEATURE 40429–01, 40430–01 W/ 40189–01 (CUMMINS M11)	208
FEATURE 40430–01 W/ 40190–01 (DETROIT DIESEL SERIES 60)	210
HYDRAULIC SYSTEM	
FEATURE 40189–01 (CUMMINS M11)	212
FEATURE 40190–01 (DETROIT DIESEL SERIES 60)	216
EXTERIOR	
FRONT	220
EXTERIOR SIDE PANELS & COMPARTMENT DOORS	
(ENDING W/ BSM 20000279)	222
(BEGINNING W/ BSN 20000280)	224
OUTSIDE PANEL	
LH	226
RH	228
REAR	231
AIR CONDITIONER COMPONENTS (FEATURE 38102–01)	232
OUTSIDE ROOF PANELS & ROOF CAPS	234

**TABLE OF CONTENTS
LTC 40**

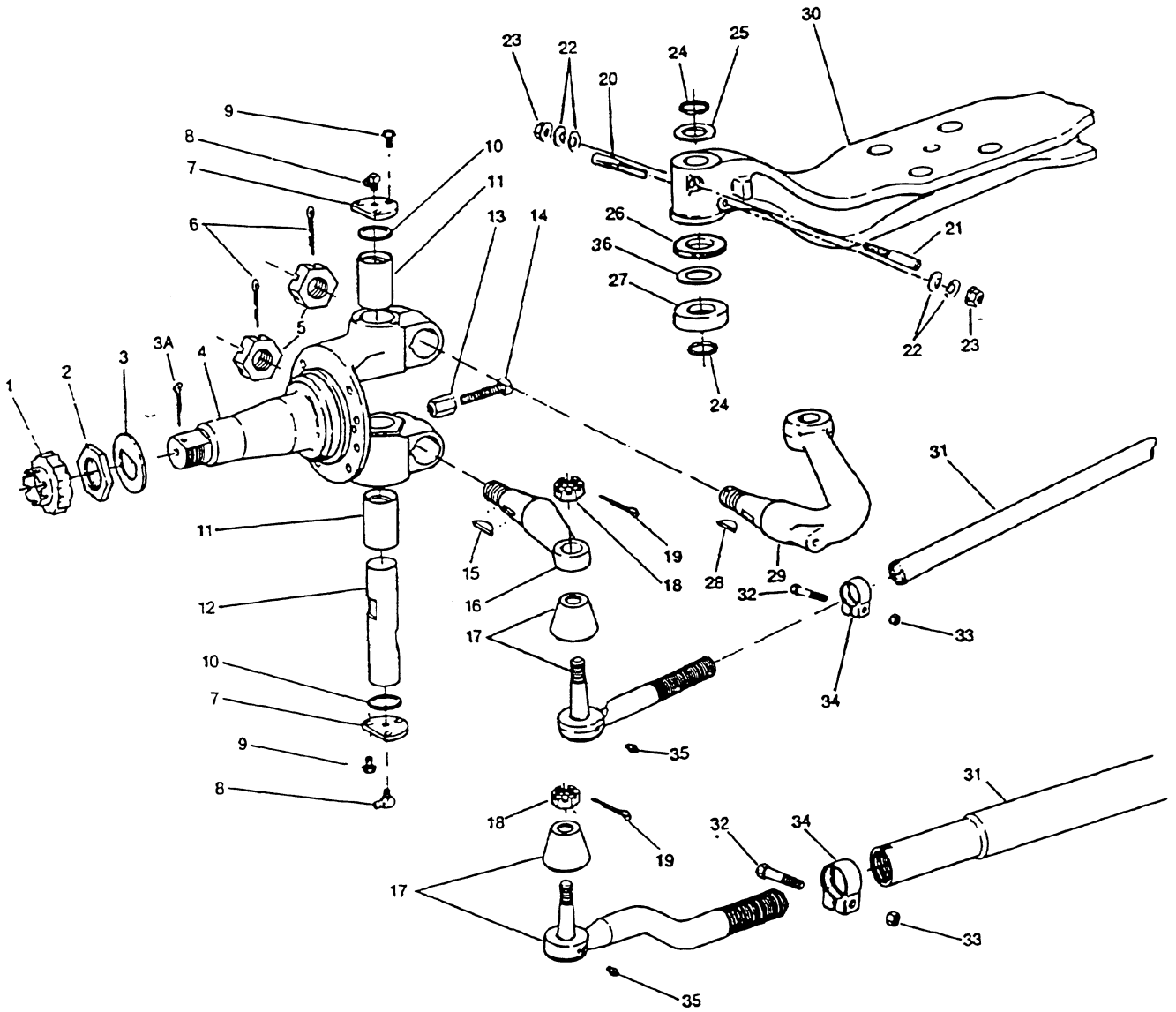
<u>DESCRIPTION</u>	<u>PAGE</u>
STRUCTURE	
FRONT STRUCTURE	
(ENDING W/ BSN 20007889)	236
(BEGINNING W/ BSN 20007890)	238
CENTER	240
SIDE STRUCTURE	
LH	242
RH	244
FLOOR	246
OUTRIGGERS, MIDDLE	248
REAR DAVENPORT	250
FEATURE 38102-01	
A/C BODY STRUCTURE	252
A/C MOUNTING STRUCTURE	254
INTERIOR	
ROOF PANELS	256
FEATURE 38102-01	
INTERIOR SIDE PANELS, DAVENPORT AREA	258
WALL COMPONENTS	260
FLOOR COVERING	
FLOOR COVERING	262
STEPWELLS AND STEPS	
STEPWELL, FRONT ENTRANCE DOOR	(SEE FRONT STRUCTURE)
DOORS	
ENTRANCE DOOR	264
AIR LINE ROUTING, ENTRANCE DOOR	268
GLASS & WINDOWS	
WINDOW, DRIVER'S	
FEATURE 38110-01 – SLIDING (ENDING W/ BSN 20002980)	270
FEATURE 38110-04 – THERMOPANE	271
FEATURE 38111-01 – DRIVER'S SUNVISOR SHADE	272
FEATURE 38111-02 – DRIVER'S WINDOW SHADE	273
WINDOW, PASSENGER	
FEATURE 38110-02 – SOLID GLASS (ENDING W/ BSN 20002980)	282
FEATURE 38110-06 – THERMOPANE (ENDING W/ BSN E20004750)	274
FEATURE 38111-03 – PASSENGER WINDOW SHADE	280
TRANSIT WINDOWS	
FEATURE 38110-06; T.O. 53402-01 (PUSHOUT)	276
FEATURE 38110-06; T.O. 53402-01 (NON-PUSHOUT)	278
WINDSHIELD	281

**TABLE OF CONTENTS
LTC 40**

<u>DESCRIPTION</u>	<u>PAGE</u>
HEATERS	
FEATURE 38102-02 – HEATER, HYDRONIC BASEBOARD	283
SEATS	
DRIVER'S SEAT	
FEATURE 38109-01	284
PASSENGER SEATING	
FEATURE 38109-02 (TOUR GUIDE)	290
FEATURE 38109-03 (47 CAPACITY, 18")	286
FEATURE 38109-04 (49 CAPACITY, 18")	287
FEATURE 38109-05 (47 CAPACITY, 17")	288
FEATURE 38109-06 (49 CAPACITY, 17")	289
MIRRORS	
INSIDE REARVIEW MIRROR, 4" x 16"	292
OUTSIDE REARVIEW MIRROR	294
WINDSHIELD WIPERS	
WIPERS & WASHER	296
LIGHTS & LENS	
LIGHTS AND LENS	297
COMPARTMENTS	
LUGGAGE COMPARTMENT PARTITIONS	300
EXTERIOR COMPARTMENT DOORS	304
LUGGAGE COMPARTMENT FLOOR	306
LUGGAGE COMPARTMENT DOOR ASSY.	308-311
ACCESSORIES	
FEATURE 30310 BACKING SAFETY HORN	312
FEATURE 38102-03 KIT, AUX. HVAC, 120 VAC W/10KW GENERATOR	313
FEATURE 38103-01 KIT, LUMINATOR DESTINATION SIGN	314
FEATURE 38104-01 KIT, RADIO AM/FM CASSETTE	315
FEATURE 38104-02 KIT, CB, 40 CHANNEL RADIO	316
FEATURE 38105-01 KIT, VCP W/ FOUR MONITORS	
(ENDING W/ BSN 20000792)	317
(BEGINNING W/ BSN 20000793)	318
FEATURE 38105-02 KIT, VCR/AM-FM RADIO W/ SIX MONITORS	
(ENDING W/ BSN 20000792)	319
(BEGINNING W/ BSN 20000793)	320
FEATURE 38105-03 KIT, REAR VISION CAMERA W/ MONITOR KIT	321
FEATURE 38105-04 KIT, AUDIO/VIDEO REI, 4 MONITORS	321A
FEATURE 38105-05 KIT, AUDIO/VIDEO REI, 6 MONITORS	321B

TABLE OF CONTENTS
LTC 40

<u>DESCRIPTION</u>	<u>PAGE</u>
ACCESSORIES (CONTINUED)	
FEATURE 38107-01 RESTROOM, DROP STYLE W/ HOLDING TANK (ENDING W/ BSN 20000792)	322
(BEGINNING W/ BSN 20000793)	324
FEATURE 38107-02 RESTROOM, AIR FLUSH W/ SINK (ENDING W/ BSN 20000792)	327
(BEGINNING W/ BSN 20000793)	330
FEATURE 38108-01 KIT, PARCEL RACK W/ HVAC, LIGHTS (ENDING W/ BSN 20000746)	333
FEATURE 38108-02 PARCEL RACK W/ HVAC, LIGHTS	334
FEATURE 38108-02 W/ 38115-03 PARCEL RACK W/ HVAC, LIGHTS	335
FEATURE 38109-02 TOUR GUIDE KIT	336
FEATURE 38111-01 DRIVER'S SUNVISOR KIT	337
FEATURE 38113-01 INTERIOR DECOR	338
FEATURE 40291-03, 40291-04 SPARE TIRE CARRIER	340-342
HARDWARE	
SHEET METAL & MACHINE SCREWS	344
BOLTS & CAPSCREWS	345
FASTENERS	346, 349-351
TOOLS & RIVETS	347
BOLTS & MISCELLANEOUS	348
EYELETS	352, 353
TERMINALS	354, 355
ELECTRICAL CONNECTORS	356-361
SCREW CHART	362
DECALS	
DECALS	364, 365
STENCILS	366



**FRONT AXLE
I-146-SA (SPICER)**

<u>KEY</u>	<u>PART NO</u>	<u>DESCRIPTION</u>	<u>QTY</u>
1	1442797	BEARING NUT, LOCK	2
2	1442789	SPINDLE NUT	4
3	1442771	WASHER, BEARING RETAINER	2
4		STEERING, KNUCKLE ASSY.	
	8305807	RH	
	8305815	LH	
5	4294898	NUT, STEERING ARM & TIE ROD ARM	3
6	8305880	COTTER PIN,	3
7	4294906	CAP, KING PIN	4
*8		GREASE, FITTING,	4
	8305948	65 DEG	
	8305955	90 DEG	
9	2154169	BOLT, LOCKWASHER ASSEMBLY	12
*10	8305849	O-RING CAP, STEERING KNUCKLE	4
*11	8305773	BUSHING, STEERING KNUCKLE	4
*12	8305864	PIN, KING, STEERING KNUCKLE (NOT SERVICED SEPARATELY)	2
NI	4294716	KIT, KING PIN OVERHAUL	
13	4294930	NUT, STOP, STEERING KNUCKLE	2
14	8305823	SCREW, STOP, STEERING KNUCKLE	2
15	8305872	KEY, STEERING ARM	2
16		ARM, TIE ROD	
	8305906	RH	
	8305898	LH	
17		TIE ROD END & DUST COVER	
	4325957	LH	
	4325965	RH	
18		NUT, TIE ROD END (INCLUDED W/ITEM 17)	2
19	2154193	COTTER PIN, 1/8 X 1 3/4	2
*20	4295085	DRAW KEY, KING PIN (INNER)	
*21	4295093	DRAW KEY, KING PIN (OUTER)	
22	4295234	WASHER, DRAW KEY	
23	4295242	NUT, DRAW KEY	
*24	8305849	OIL SEAL, KING PIN UPPER	

*INCLUDED IN KIT, KING PIN OVERHAUL-8305211

@ NOTE: PLEASE VERIFY AXLE ASSEMBLY PART NUMBER BEFORE ORDERING SERVICE PARTS. SEE LIST BELOW FOR APPLICABLE AXLES. AXLE ASSEMBLY PART NUMBER CAN BE LOCATED ON THE DATA PLATE ABOVE THE RIGHT HAND WINDSHIELD OR LOCATED ON THE SERVICE PARTS LIST.

AXLE ASSEMBLY PART NUMBER THAT APPLIES TO THIS PAGE IS: 1961606

Q4RE

**FRONT AXLE
I-146-SA (SPICER)**

<u>KEY</u>	<u>PART NO</u>	<u>DESCRIPTION</u>	<u>QTY</u>
*25		SHIMS, STEERING KNUCKLE	AR
	4295119	.005 THICK	
	4295127	.010 THICK	
	4295135	.020 THICK	
26		(INCLUDED W/ITEM #27)	2
*27	8305856	THRUST BEARING & SEAL ASSY.	2
28	8305872	KEY, STEERING ARM	
29	4301370	STEERING ARM	
30	8305799	AXLE, I-BEAM	
NI	8305831	TIE ROD ASSY	
31	8305914	TUBE & CLAMP ASSY., TIE ROD	
32		BOLT, CLAMP, TIE ROD (INCLUDED W/ITEM 34, NOT SERVICED SEPARATELY)	2
33		NUT, CLAMP, TIE ROD (INCLUDED W/ITEM 34, NOT SERVICED SEPARATELY)	2
34	4295226	KIT, CLAMP, TIE ROD (NOT SERVICED SEPARATELY)	2
35	2161263	GREASE FITTING	
36		NOT APPLICABLE	

*INCLUDED IN KIT, KING PIN OVERHAUL-8305211

@ NOTE: PLEASE VERIFY AXLE ASSEMBLY PART NUMBER BEFORE ORDERING SERVICE PARTS. SEE LIST BELOW FOR APPLICABLE AXLES. AXLE ASSEMBLY PART NUMBER CAN BE LOCATED ON THE DATA PLATE ABOVE THE RIGHT HAND WINDSHIELD OR LOCATED ON THE SERVICE PARTS LIST.

AXLE ASSEMBLY PART NUMBER THAT APPLIES TO THIS PAGE IS: 1961606

Q4RE

Notes

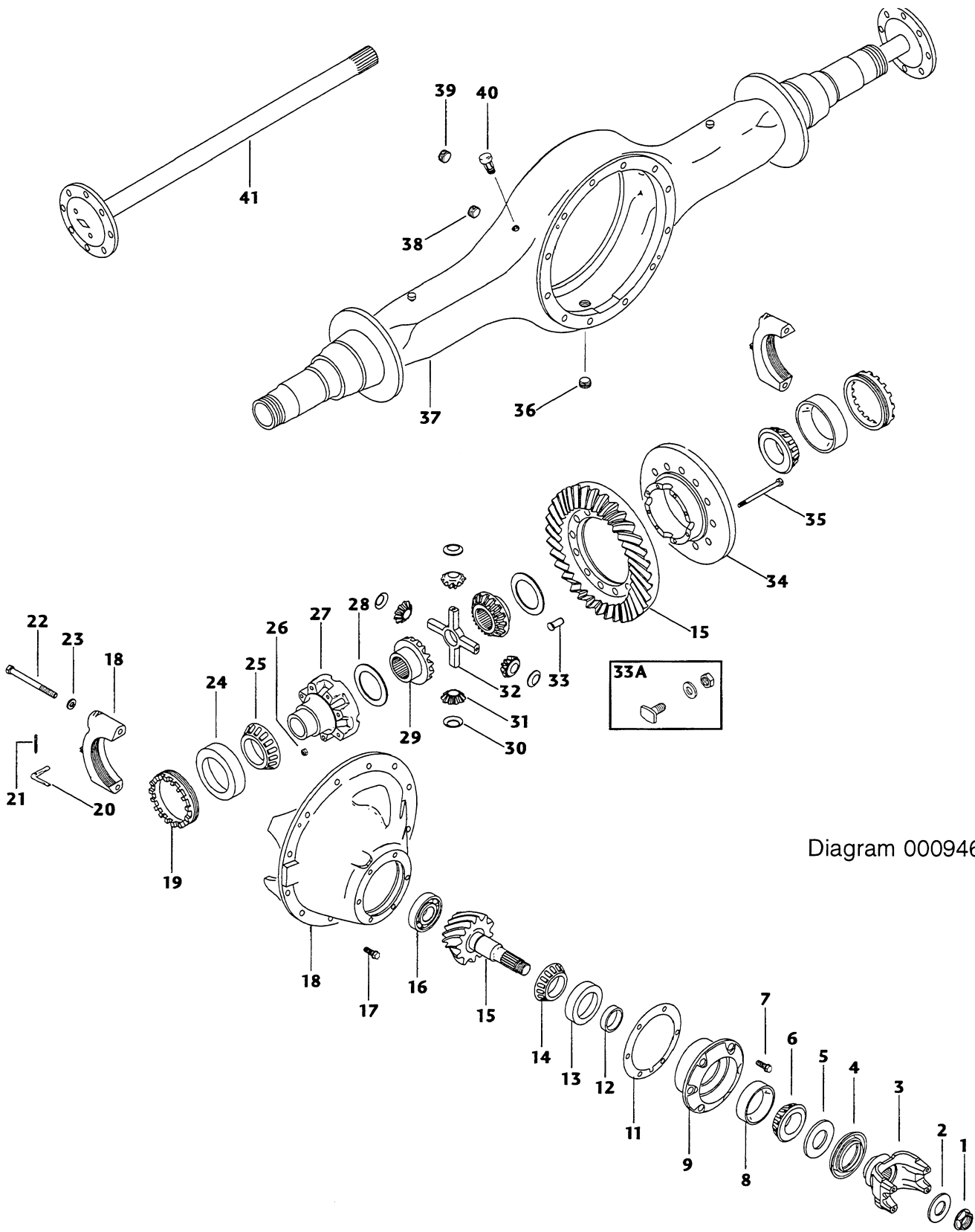


Diagram 0009462

@ REAR AXLE, W230SB

<u>KEY</u>	<u>PART NO</u>	<u>DESCRIPTION</u>	<u>QTY</u>
*1	4281218	PINION NUT	
*2	4281028	PINION NUT WASHER	
3	8200263	END YOKE ASSEMBLY	
*4	4281044	PINION OIL SEAL	
5		SPACER BEARING, PRELOAD	
*6		CONE, OUTER PINION BEARING	
7	4301099	PINION BEARING CAGE BOLT	6
*8		OUTER PINION BEARING CUP	
9	8200479	BEARING CAGE W/CUPS (INCLUDES ITEMS 8 & 13)	
10	N/A	BEARING CAGE W/CUPS	
11	8200099	PINION BEARING CAGE SHIM	
*12		PINION PRELOAD SPACER	
*13		INNER PINION BEARING CUP	
*14		INNER PINION BEARING CONE	
*15		RING GEAR & PINION, SET	
*16		PINION PILOT BEARING	2
17	8200107	CARRIER MOUNTING BOLT	
18	8200115	CARRIER SUB-ASSEMBLY	
19	8200123	ADJUSTING RING	2
20	4281317	ADJUSTING RING LOCK	2
21	2153864	COTTER PIN (3/16" X 1)	2
22	8200131	DIFFERENTIAL BEARING CAP BOLT	4
23	n/a	DIFFERENTIAL BEARING CAP WASHER	4
24	8200149	DIFFERENTIAL BEARING CUP	2
25	8200156	DIFFERENTIAL BEARING CONE	2
*26		DIFFERENTIAL CASE NUT	8
*27		DIFFERENTIAL CASE CAP HALF	
*28		DIFFERENTIAL GEAR THRUSTWASHER	2
*29		DIFFERENTIAL SIDE GEAR	2
*30		DIFFERENTIAL PINION THRUSTWASHER	4
*31		DIFFERENTIAL PINION MATE	4
*32		DIFFERENTIAL CROSS SHAFT	

@ NOTE: PLEASE VERIFY AXLE ASSEMBLY PART NUMBER BEFORE ORDERING SERVICE PARTS. SEE LIST BELOW FOR APPLICABLE AXLES. AXLE ASSEMBLY PART NUMBER CAN BE LOCATED ON THE DATA PLATE ABOVE THE RIGHT HAND WINDSHIELD OR LOCATED ON THE SERVICE PARTS LIST.

AXLE ASSEMBLY PART NUMBERS THAT APPLY TO THIS PAGE ARE:1891233,1948033,

Q4RE

@ REAR AXLE, W230SB

<u>KEY</u>	<u>PART NO</u>	<u>DESCRIPTION</u>	<u>QTY</u>
*33	8200164	KIT, RING GEAR BOLT	
A			
*34		DIFFERENTIAL CASE FLANGE HALF	
*35		DIFFERENTIAL CASE BOLT	8
36	2153856	PLUG, MAGNETIC DRAIN	
37	8305971	AXLE HOUSING	
38	8200180	TEMPERATURE SENSOR PLUG	
39	2153849	FILLER PLUG	
40	8200172	VENT PLUG	
41	8305989	AXLE SHAFT	2
NI		CARRIER ASSY.,	
	8200271	4.44 RATIO	
	8305963	4.78 RATIO	
NI		KIT, RING GEAR AND PINION ASSY. (INCLUDES ITEMS 1,2 &15)	
	8200248	4.44 RATIO	
	8200198	4.78 RATIO	
NI		KIT, DIFF. ASSY. PARTS (INCLUDES ITEMS 28 THRU 32)	
	8200255	4.44 RATIO	
	8200206	4.78 RATIO	
NI	8200214	KIT,DIFF. BEARING REPAIR (INCLUDES ITEMS 4,6,8,13,14,16,24,25)	
NI	8200222	KIT, AXLE SHAFT SPACER (INCLUDES ITEM 12)	
NI	8200230	KIT, DIFF. CASE INNER PARTS (INCLUDES ITEMS 26,27,34,35)	

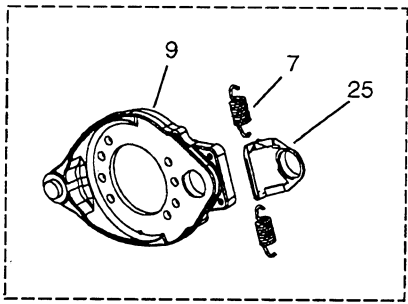
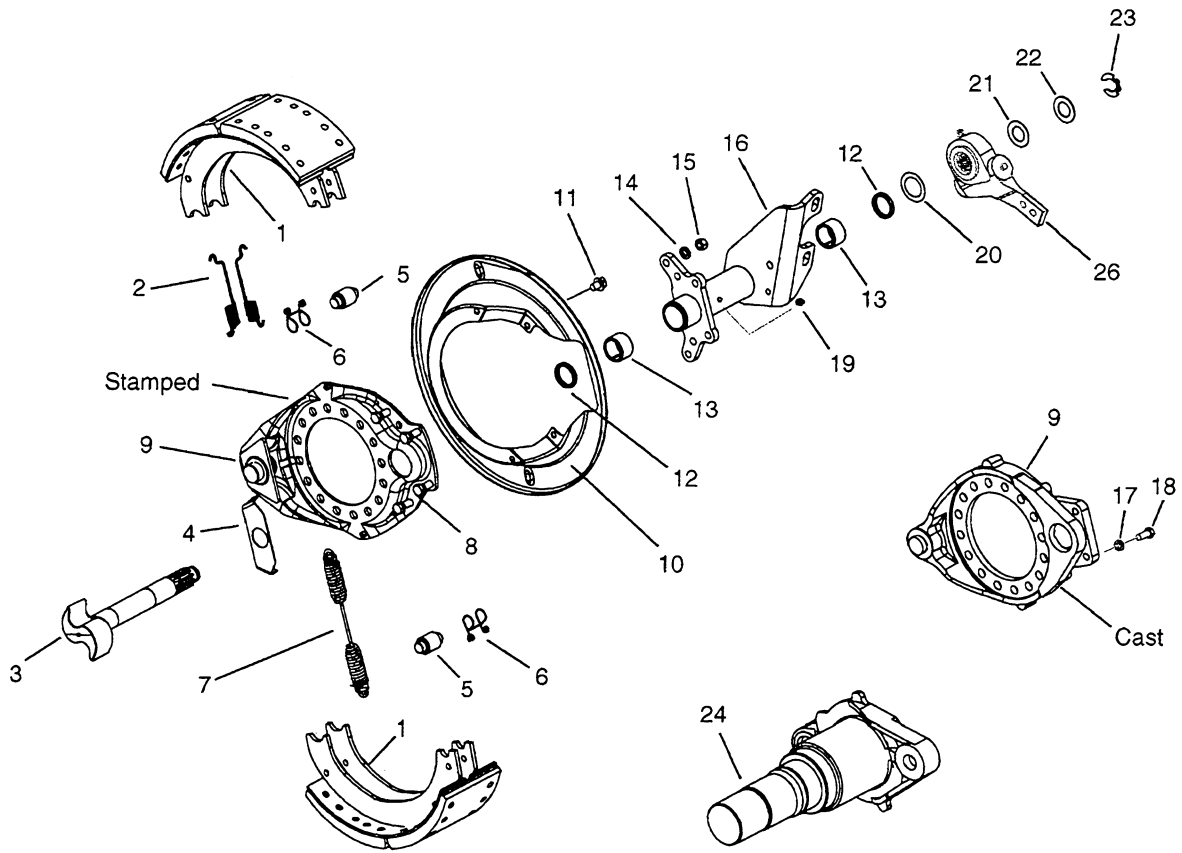
@ NOTE: PLEASE VERIFY AXLE ASSEMBLY PART NUMBER BEFORE ORDERING SERVICE PARTS. SEE LIST BELOW FOR APPLICABLE AXLES. AXLE ASSEMBLY PART NUMBER CAN BE LOCATED ON THE DATA PLATE ABOVE THE RIGHT HAND WINDSHIELD OR LOCATED ON THE SERVICE PARTS LIST.

ALL ITEMS WITH * ARE INCLUDED IN A KIT. SEE ABOVE FOR KITS NUMBERS.

AXLE ASSEMBLY PART NUMBERS THAT APPLY TO THIS PAGE ARE: 1891233, 1948033

Q4RE

Notes



REF. 0007102

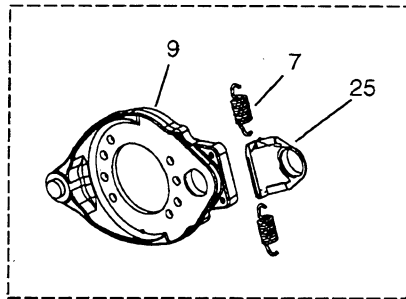
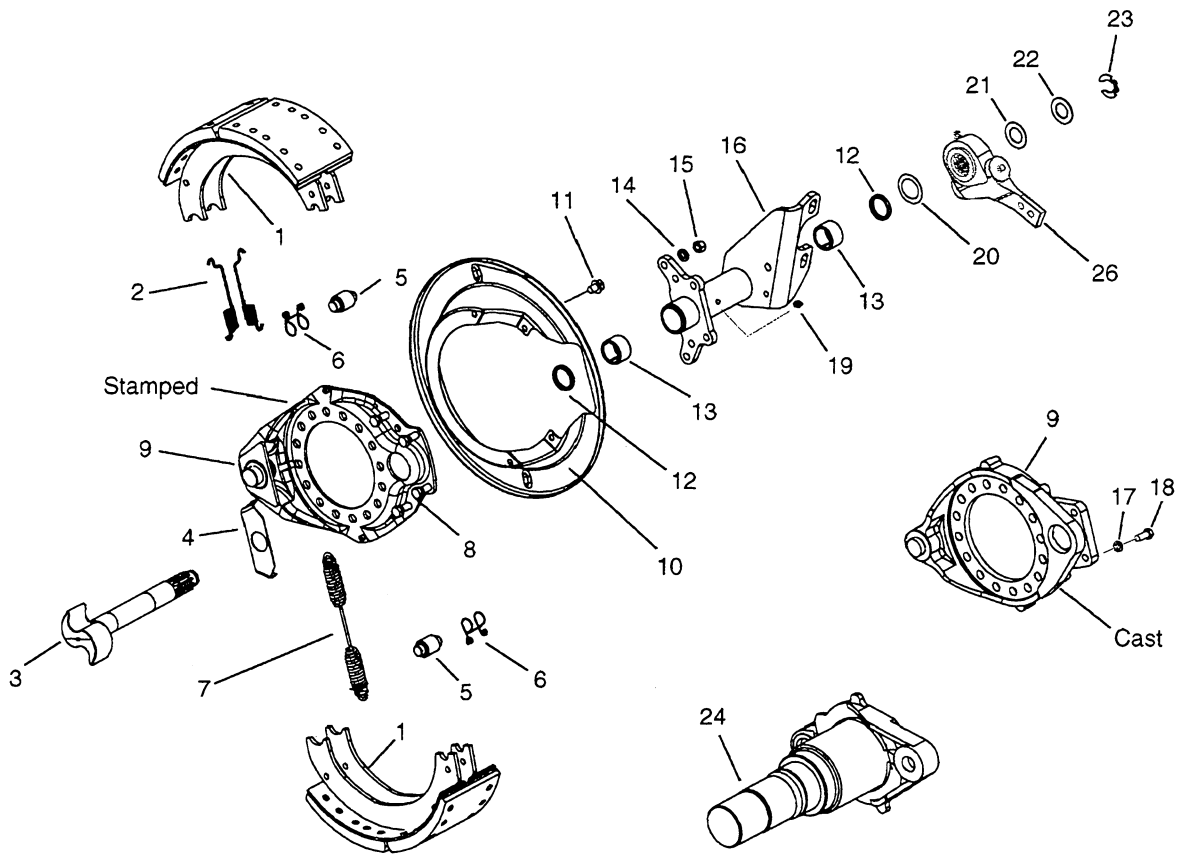
FRONT BRAKES 6"

<u>KEY</u>	<u>PART NO</u>	<u>DESCRIPTION</u>	<u>QTY</u>
1	8302945	SHOE AND LINING ASSY.	4
*2	8302986	SPRING, SHOE RETAINER	2
3		CAMSHAFT	
	8305690	RH	
	8305674	LH	
4	4317269	WASHER, CAM HEAD	
5	8200024	ROLLER,CAM	4
6	4317343	ROLLER RETAINER	4
*7	8200057	SPRING, RETURN	4
8	N/A		
9		SPIDER	
	8305716	RH	
	4310439	LH	
10	N/A		
11	N/A		
**12	2627370	SEAL, GREASE	4
**13	2626778	BUSHING, CAMSHAFT	4
14	2001204	LOCKWASHER, MOUNTING BRKT.	8
15	2137289	NUT, HEX, MOUNTING BRKT.	8
16		CHAMBER BRKT.	
	8305708	RH.	
	8305666	LH.	
17	2001212	LOCKWASHER, MOUNTING BRACKET	8
18	2157949	CAPSCREW, MOUNTING BRACKET	8
19	N/A	GREASE FITTING,	2
20	2708550	WASHER, INNER, SLACK ADJUSTER	2
21	2630267	WASHER, SHIM CAMSHAFT .030"	AR
22	2631265	WASHER, SHIM CAMSHAFT .060"	AR
**23	2638328	SNAP RING, CAMSHAFT RETAINER	
24	N/A		
25	8200065	HORSE COLLAR	
26	4320016	SLACK ADJUSTER, RH/LH	
NI	8306011	CHAMBER, BRAKE	

* INCLUDED IN KIT # 8305682 (SPRING KIT)

** INCLUDED IN KIT # 4311080 (CAMSHAFT BUSHING KIT)

Q4RE



REF.0007102

REAR BRAKES 8.62"

<u>KEY</u>	<u>PART NO</u>	<u>DESCRIPTION</u>	<u>QTY</u>
1	8302978	SHOE AND LINING ASSY.	4
*2	8302986	SPRING, SHOE RETAINER	2
3		CAMSHAFT	
	8305781	RH	
	8305724	LH	
4	4317269	WASHER, CAM HEAD	
5	8200024	ROLLER,CAM	4
6	4317343	ROLLER RETAINER	4
*7	4317350	SPRING, RETURN	4
8	N/A		
9		SPIDER	
	8305740	RH	
	8305732	LH	
10	N/A		
11	N/A		
**12	2627370	SEAL, GREASE	4
**13	2626778	BUSHING, CAMSHAFT	4
14	2001204	LOCKWASHER, MOUNTING BRKT.	8
15	2137289	NUT, HEX, MOUNTING BRKT.	8
16		CHAMBER BRKT.	
	8305765	RH.	
	8305765	LH.	
17	2001212	LOCKWASHER, MOUNTING BRACKET	8
18	2157949	CAPSCREW, MOUNTING BRACKET	8
19	N/A	GREASE FITTING,	2
20	2708550	WASHER, INNER, SLACK ADJUSTER	2
21	2630267	WASHER, SHIM CAMSHAFT .030"	AR
22	2631265	WASHER, SHIM CAMSHAFT .060"	AR
**23	2638328	SNAP RING, CAMSHAFT RETAINER	
24	N/A		
25	N/A	HORSE COLLAR	
NI	8309080	KIT, MINOR OVERHALL	
26	1907419	SLACK ADJUSTER, RH/LH	
NI		CHAMBER, BRAKE	
	1592815	RH	
	1592823	LH	

* INCLUDED IN KIT # 8305682 (SPRING KIT)

** INCLUDED IN KIT # 4311080 (CAMSHAFT BUSHING KIT)

Q4RE

PARTS LOCATED ON THIS PAGE APPLY TO THE FOLLOWING BRAKE ASSEMBLY
NUMBERS. 1954627, 1954619

REAR BRAKE, TAG AXLE

<u>KEY</u>	<u>PART NO</u>	<u>DESCRIPTION</u>	<u>QTY</u>
NI	0009546	BRAKE SHOE AND LINING ASSY.,	4
NI	0009544	CAMSHAFT, LH	
NI	0009545	CAMSHAFT, RH	
NI	0009543	SPACER, CAMSHAFT	2
NI	0009542	SPRING RETURN	2
NI	0009541	SPRING, BRAKE SHOE RETAINING	4
NI	0009547	SPACER,CAM SHAFT	8
NI	0009549	WASHER, CAMSHAFT	2
NI	1898014	CHAMBER,SERVICE ,TAG AXLE	2
NI	1907419	SLACK ADJUSTER,AUTO	2

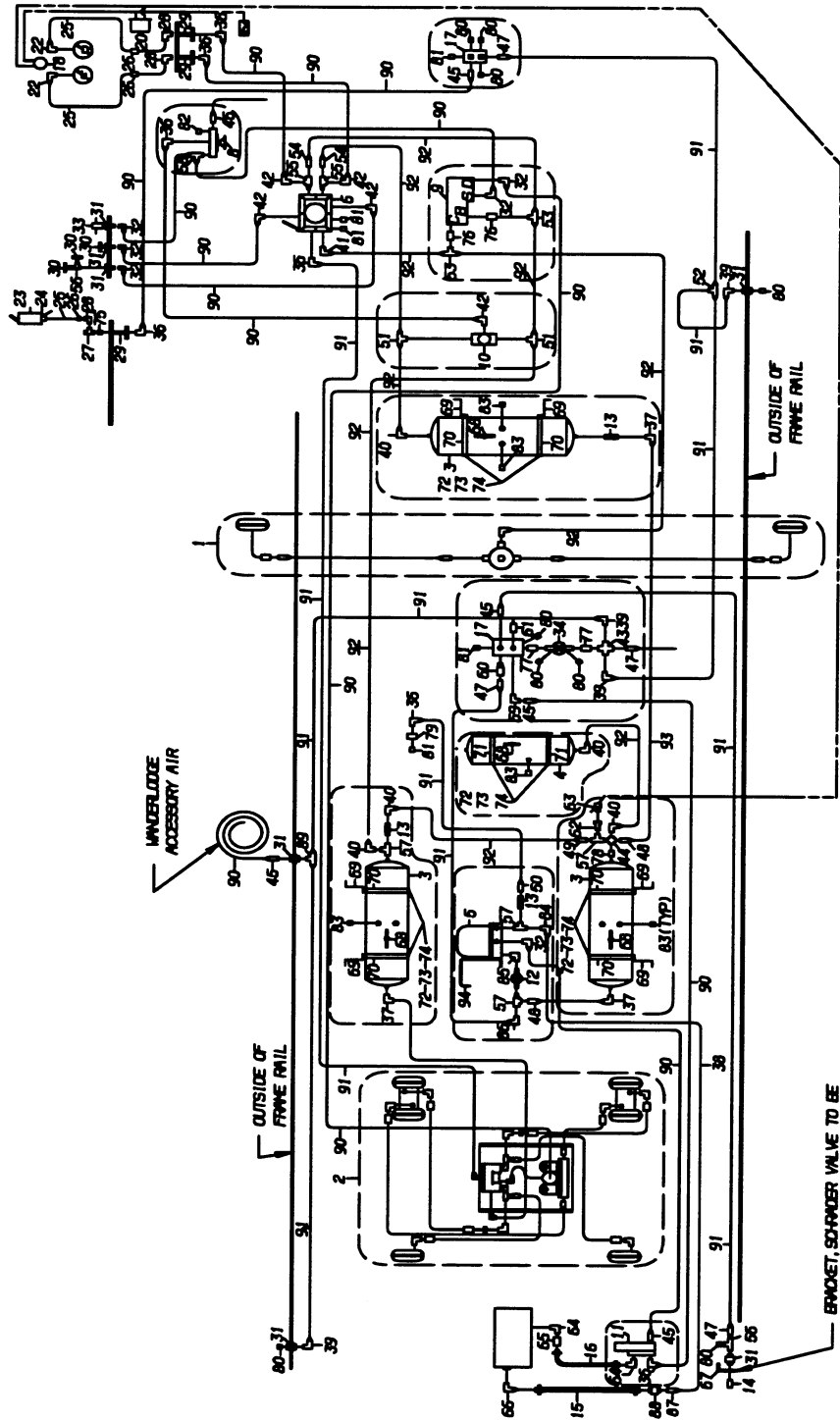
Q4RE

Notes



REV	1991793
DATE	1/20/98
BY	MB
APP.	1/20/98
BY	MB
PRT	

© 1998 GM Corp. ALL RIGHTS RESERVED



DUAL AIR BRAKE DIAGRAM

<u>KEY</u>	<u>PART NO</u>	<u>DESCRIPTION</u>	<u>QTY</u>
1		VALVE ASSY,ABS,FRONT AXLE	
	1949056	(ENDING W/CSN F10001438)	1
	0010702	(BEG W/CSN F10001439	1
2		VALVE ASSY,ABS,DRIVE AXLE	
	1900786	(ENDING W/CSN F10001279)	1
	0010694	(BEG W/CSN F10001280)	1
3	0991513	RESERVOIR,9 1/2 X 27 – 1760 CU IN	3
4	0754929	RESERVOIR,AIR,1240 CU IN	1
5	1734136	AIR DRYER,AD-9,LH SUPPLY,W/VITON TURBO SEAL	1
6	1724772	VALVE,TREADLE,DUAL BRAKE	1
7	1133347	TREADLE ASSY,W/RUBBER COVER,	1
8	0900266	VALVE,PARKING BRAKE	1
9	0654426	VALVE,SPRING BRAKE	1
10	0654434	VALVE,DOUBLE CHECK,3/8 PIPE	1
11	1900794	GOVERNOR,AIR CMPR,110-130PSI	1
12	0392308	VALVE,CHECK,WATER	1
13	0001134	VALVE,SINGLE CHECK,1/2 PIPE	3
14	0818609	VALVE,SCHRAEDER,1/4 MPT	1
15		HOSE ASSY,AIR CMPR DISCH,	1
	1758945	32" (CUMMINS M11)	
	1855667	36.5" (DETROIT 60 SERIES)	
16	0870303	HOSE ASSY,TI-GS04X04MB-20IN	1
17	2023083	FITTING,MANIFOLD,	2
18	2006807	LIGHT,PILOT,RED,17/32IN,PL-19RC-10	1
20	2006187	BUZZER,R E D/R E W/POW	1
22	3827268	CONNECTOR,FEMALE,1/8 NPTF X 1/8 TUBE	2
23	2227338	VALVE,AIR,TV-3S	2
24	3827243	CONNECTOR,MALE,10-32 UNF X 1/8 TUBE	2
25	1004621	TUBING,PLASTIC,1/8 OD,BLACK,SAE J844 TYPE A	7 FT
26	3827201	CONNECTOR,MALE,1/8 NPT X 1/8 TUBE	4
27	1047133	FITTING,T,BRASS,1/8 FPT PARKER 2203 P-2	1
28	2027225	ELBOW,STREET,1/8,3400XZ	3
29	0949370	ADAPTER,BULKHEAD,1/8 PIPE X 1 1/2 LONG	3
30	1940873	SWITCH,STOP LIGHT	3
31	2023232	COUPLING,ANCHOR,	7
32	1344092	ELBOW,90 DEG,MALE,1469X4X4-Z,.25 MP X .25 T	6
33	0982918	INDICATOR,LOW PRESS,LP-3,30PSI	1
34	0522508	VALVE,PRESS PROTECTION,65 PSI	1
35	1344043	ELBOW,90 DEG,MALE,1469X6X6-Z,.38MP X .38T	2
36	1340371	ELBOW,90 DEG,MALE,1469X4-Z,.13MP X .25T	5
37	1643303	ELBOW,90 DEG,MALE,5/8 TUBE X 1/2 MPT	3

Q4RE

DUAL AIR BRAKE DIAGRAM

<u>KEY</u>	<u>PART NO</u>	<u>DESCRIPTION</u>	<u>QTY</u>
38	2027407	TUBING,COPPER,5/8,TYPE L	1
39	1344068	ELBOW,90 DEG,MALE,1469X6-Z,.25 MP X .38 T	4
40	1344084	ELBOW,90 DEG,MALE,	5
41	1344050	ELBOW,90 DEG,MALE,1469X8-Z,.38MP X .5 T	1
42	1344100	ELBOW,90 DEG,MALE,1469X4X6-Z,.38 MP X .25 T	5
43	0559054	CROSS,1/4 FEMALE PIPE,3950X4	1
44	0871756	CROSS,PIPE,1/2,GALV	1
45	1414382	CONNECTOR,MALE,1468X4X4-Z,.25 MP X .25T	5
46	1344829	CONNECTOR,MALE,1468X4-Z,.13MP X .25T	1
47	1344126	CONNECTOR,MALE,1468X6Z,.25MP X .38T	4
48	1907708	CONNECTOR,MALE,1468X10-Z. 1/2 MPTX5/8T	2
49	1340462	CONNECTOR,MALE,1468X8X8Z,.5MP X .5T	1
50	1344118	CONNECTOR,MALE,1468X6X8-Z,.5MP X .38T	1
51	1344027	TEE,MALE,BRANCH,1472X8-Z,.38 MPT X .50 T	2
52	1542489	TEE,UNION,1464X6,3/8 TUBE	1
53	1374206	TEE,FEMALE BRANCH,1477X8X8X4-K,1/4FP X 1/2T	2
54	1344134	CONNECTOR,MALE,1468X8-Z,.38MPT X .5T	2
55	1010065	TEE,STREET,3/8 PIPE 3750 X 6	2
56	0654277	TEE,STREET,1/4 PIPE,3750X4	2
57	0654350	TEE,1/2 PIPE,STREET	4
58	1542505	TEE,MALE RUN,1471X4-Z,1/8 MPT X 1/4 TUBE	1
59	2027233	ELBOW,STREET,1/4,3400X4Z	2
60	0962183	FILTER,AIR,RIDEWELL SUSPENSION	1
61	0839019	VALVE,SAFETY,1/4IN PIPE,BW NO284142	1
62	2027159	BUSHING,PIPE,1/2 X 1/4	1
63	1507631	INDICATOR,LOW PRESS,60 PSI,CH 8640	1
64	0605188	ELBOW,REDUCING,STREET,1/4 X 1/8 PIPE	1
65	1119700	ADAPTER,SWIVEL,MALE PIPE	1
66	2026706	ELBOW,49X10,1/2MPT X 5/8 TUBE,FLARE	1
67	1881101	BRACKET MTG,SCHRAEDER VALVEWLWB	1
68	1110188	COCK,RESERVOIR DRAIN,BW-103385	4
69	1946649	BRACKET SPACER,AIR RESERVOIR AARE/WLWB	6
70	0850586	BRACKET,MTG,9 1/2IN,AIR RESERVOIR	12
71	1583608	BRACKET,MTG,RESERVOIR,1240 CU.IN.	4
72	0969873	CAPSCREW,HEX HD,3/8-16 X 6 ,GR5,YELDICH	8
73	0882795	LOCKWASHER,SPLIT RING, 3/8 ,MED,YELLOW DICH	8
74	2001451	NUT,HEX HD,3/8-16,YELLOW DICHROMATE	8
75	2009298	NIPPLE,PIPE,1/8 CLOSE,GALV PIPE	1
76	2009330	NIPPLE,PIPE,1/4 X 2,GALV	2

Q4RE

DUAL AIR BRAKE DIAGRAM

KEY	PART NO	DESCRIPTION	QTY
77	2027183	NIPPLE,1/4 CLOSE,BRASS	2
78	2023992	NIPPLE,203321 1/2 CLOSE PIPE	1
79	0758698	COUPLING,ANCHOR,B-W 217709 BENDIX WESTNGHSE	1
80	2023513	PLUG,PIPE,1/4	8
81	2009595	PLUG,PIPE,3/8,GALV	5
82	2027118	PLUG,1/8 PIPE	1
83	0417550	PLUG,PIPE,1/2,GALV	7
84	0754879	ELBOW,1/2 MPT X 5/8 TUBE	1
85	2008274	ELBOW,90 DEG,STREET,3400X8Z	1
86	1538917	ELBOW,90 DEG,MALE,1469X6X8-Z,1/2 MPT X 3/8T	1
87	2023356	CONNECTOR,1/2 MPT X 5/8 TUBE	1
88	1153600	COUPLING,ANCHOR,1/2 NPT	1
89	1641083	TEE,MALE BRANCH,1472X6-Z,.25 MPT X .38 TUBE	1
90	1346832	TUBING,PLASTIC,1/4 OD,RED,SAE J844 TYPE A	1
91	1220037	TUBING,PLASTIC,3/8 OD,RED,SAE J844,TYPE B	1
92	1346881	TUBING,PLASTIC,1/2 OD,RED,SAE J844 TYPE B	1
93	1643295	TUBING,PLASTIC,5/8 OD,BLUE,SAE J844,TYPE B	1
94	1608421	BRACKET,MTG,AIR DRYER	1
95*	1907740	GOVERNOR ASSY, AIR COMPRESSOR	
96*	1907757	RESERVOIR ASSY, REAR AIR BRAKE	
97*	1907765	AIR DRYER ASSY, AD-9	
98*	1907773	RESERVOIR ASSY.WET, AIR TANK	
99*	1907781	RESERVOIR ASSY, AUXILIARY WET, AIR BRAKE	
100*	1907799	MANIFOLD ASSY, REAR, AIR BRAKE	
101*	1907807	RESERVOIR ASSY., FRONT	
102*	1907815	VALVE ASSY, SPRING BRAKE, SR-1	
103*	1907823	VALVE ASSY, DOUBLE CHECK	
104*	1907849	VALVE ASSY, PARKING BRAKE CONTROL	
105*	1907856	MANIFOLD ASSY. FRONT AIR BRAKE	

* NOTE:ITEMS 95 THRU 105 ARE FOR REFERENCE ONLY. DO NOT ATTEMPT TO ORDER! SEE TABLE OF CONTENTS FOR BREAKDOWN OF ASSY.

Q4RE

GOVERNOR ASSY., AIR COMPRESOR

<u>KEY</u>	<u>PART NO</u>	<u>DESCRIPTION</u>	<u>QTY</u>
NI	1907740	GOVERNOR ASSY., AIR COMPRESSOR (NOT AVAILABLE AS AN ASSY., SEE SUBPARTS BELOW)	
11	1900794	GOVERNOR, AIR COMPRESSOR, 110-130PSI	
36	1340371	ELBOW, 90 DEG, MALE, 1469X4-Z, .13MP X .25T	
45	1414382	CONNECTOR, MALE, 1468X4X4-Z, .25 MP X .25T	
64	0605188	ELBOW, REDUCING, STREET, 1/4 X 1/8 PIPE	

Q4RE

RESERVOIR ASSY., REAR AIR BRAKE

<u>KEY</u>	<u>PART NO</u>	<u>DESCRIPTION</u>	<u>QTY</u>
NI	1907757	RESERVOIR ASSY., REAR AIR BRAKE(NOT AVAILABLE AS AN ASSY., SEE SUBPARTS BELOW)	
1	0991513	RESERVOIR, 9 1/2 X 27 – 1760 CU IN.	
2	0654418	VALVE, SINGLE CHECK, 1/2 PIPE	
3	1643303	ELBOW, 90 DEG, MALE, 5/8 TUBE X 1/2 MPT	
4	1344084	ELBOW, 90 DEG, MALE, 1469X8X8-Z,.50 MP X .5 T	2
5	0654350	TEE, 1/2 PIPE, STREET	
6	1110188	COCK, RESERVOIR DRAIN, BW-103385	
7	0417550	PLUG, PIPE, 1/2, GALV	2

Q4RE

AIR DRYER ASSY., AD-9

<u>KEY</u>	<u>PART NO</u>	<u>DESCRIPTION</u>	<u>QTY</u>
NI	1907765	AIR DRYER ASSY., AD-9 (NOT AVAILABLE AS AN ASSY., SEE SUBPARTS BELOW)	
5	1734136	AIR DRYER, AD-9, LH SUPPLY, W/VITON TURBO SEAL	
12	0392308	VALVE, CHECK, WATER	
13	0654418	VALVE, SINGLE CHECK, 1/2 PIPE	
32	1344092	ELBOW, 90 DEG, MALE, 1469X4X4-Z,.25 MP X .25 T	
48	1907708	CONNECTOR, MALE, 1468X10-Z. 1/2 MPTX5/8T	
50	1344118	CONNECTOR, MALE, 1468X6X8-Z,.5MP X .38T	
57	0654350	TEE, 1/2 PIPE, STREET	2
84	0754879	ELBOW, 1/2 MPT X 5/8 TUBE	
85	2008274	ELBOW, 90 DEG, STREET, 3400X8Z	
86	1538917	ELBOW, 90 DEG, MALE, 1469X6X8-Z,1/2 MPT X 3/8T	
94	1608421	BRACKET, MTG, AIR DRYER	
Q4RE			

RESERVOIR ASSY., WET AIR TANK

<u>KEY</u>	<u>PART NO</u>	<u>DESCRIPTION</u>	<u>QTY</u>
NI	1907773	RESERVOIR ASSY., WET AIR TANK (NOT AVAILABLE AS AN ASSY., SEE SUBPARTS BELOW)	
3	0991513	RESERVOIR, 9 1/2 X 27 - 1760 CU IN	
37	1643303	ELBOW, 90 DEG, MALE, 5/8 TUBE X 1/2 MPT	
40	1344084	ELBOW, 90 DEG, MALE, 1469X8X8-Z,.50 MP X .5 T	
44	0871756	CROSS, PIPE, 1/2, GALV	
48	1907708	CONNECTOR, MALE, 1468X10-Z. 1/2 MPTX5/8T	
49	1340462	CONNECTOR, MALE, 1468X8X8Z,.5MP X .5T	
57	0654350	TEE, 1/2 PIPE, STREET	
62	2027159	BUSHING, PIPE, 1/2 X 1/4	
63	1507631	INDICATOR, LOW PRESS, 60 PSI, CH 8640	
68	1110188	COCK, RESERVOIR DRAIN, BW-103385	
78	2023992	NIPPLE, 203321 1/2 CLOSE PIPE	
83	0417550	PLUG, PIPE, 1/2, GALV	2

Q4RE

RESERVOIR ASSY., AUXILIARY WET, AIR BRAKE

<u>KEY</u>	<u>PART NO</u>	<u>DESCRIPTION</u>	<u>QTY</u>
NI	1907781	RESERVOIR ASSY., AUXILIARY WET, AIR BRAKE (NOT AVAILABLE AS AN ASSY., SEE SUBPARTS BELOW)	
4	0754929	RESERVOIR, AIR, 1240 CU IN	
40	1344084	ELBOW, 90 DEG, MALE, 1469X8X8-Z, .50 MP X .5 T	
68	1110188	COCK, RESERVOIR DRAIN, BW-103385	
83	0417550	PLUG, PIPE, 1/2, GALV	

Q4RE

MANIFOLD ASSY., REAR, AIR BRAKE

<u>KEY</u>	<u>PART NO</u>	<u>DESCRIPTION</u>	<u>QTY</u>
NI	1907799	MANIFOLD ASSY., REAR, AIR BRAKE (NOT AVAILABLE AS AN ASSY., SEE SUBPARTS BELOW)	
17	2023083	FITTING, MANIFOLD,	
34	0522508	VALVE, PRESS PROTECTION, 65 PSI	
39	1344068	ELBOW, 90 DEG, MALE, 1469X6-Z, .25 MP X .38 T	2
43	0559054	CROSS, 1/4 FEMALE PIPE, 3950X4	
45	1414382	CONNECTOR, MALE, 1468X4X4-Z, .25 MP X .25T	2
47	1344126	CONNECTOR, MALE, 1468X6Z, .25MP X .38T	2
59	2027233	ELBOW, STREET, 1/4,3400X4Z	2
60	0962183	FILTER, AIR, RIDEWELL SUSPENSION	
61	0839019	VALVE, SAFETY, 1/4IN PIPE,	
77	2027183	NIPPLE, 1/4 CLOSE, BRASS	2
80	2023513	PLUG, PIPE, 1/4	3
81	2009595	PLUG, PIPE, 3/8, GALV	

Q4RE

RESERVOIR ASSY., FRONT

<u>KEY</u>	<u>PART NO</u>	<u>DESCRIPTION</u>	<u>QTY</u>
NI	1907807	RESERVOIR ASSY., FRONT (NOT AVAILABLE AS AN ASSY., SEE SUBPARTS BELOW)	
3	0991513	RESERVOIR, 9 1/2 X 27 - 1760 CU IN	1
13	0654418	VALVE, SINGLE CHECK, 1/2 PIPE	1
37	1643303	ELBOW, 90 DEG, MALE, 5/8 TUBE X 1/2 MPT	1
40	1344084	ELBOW, 90 DEG, MALE, 1469X8X8-Z, .50 MP X .5 T	1
68	1110188	COCK, RESERVOIR DRAIN, BW-103385	1
83	0417550	PLUG, PIPE, 1/2, GALV	2

Q4RE

VALVE ASSY., SPRING BRAKE

<u>KEY</u>	<u>PART NO</u>	<u>DESCRIPTION</u>	<u>QTY</u>
NI	1907815	VALVE ASSY., SPRING BRAKE (NOT AVAILABLE AS AN ASSY., SEE SUBPARTS BELOW)	
9	0654426	VALVE, SPRING BRAKE	
32	1344092	ELBOW, 90 DEG, MALE, 1469X4X4-Z, .25 MP X .25 T	2
53	1374206	TEE, FEMALE BRANCH, 1477X8X8X4-K, 1/4FP X 1/2T	2
76	2009330	NIPPLE, PIPE, 1/4 X 2, GALV	2

Q4RE

VALVE ASSY., DOUBLE CHECK

<u>KEY</u>	<u>PART NO</u>	<u>DESCRIPTION</u>	<u>QTY</u>
NI	1907823	VALVE ASSY., DOUBLE CHECK (NOT AVAILABLE AS AN ASSY., SEE SUBPARTS BELOW)	
10	0654434	VALVE, DOUBLE CHECK, 3/8 PIPE	
42	1344100	ELBOW, 90 DEG, MALE, 1469X4X6-Z, .38 MP X .25 T	
51	1344027	TEE, MALE, BRANCH, 1472X8-Z, .38 MPT X .50 T	2

Q4RE

VALVE ASSY., PARKING BRAKE CONTROL

<u>KEY</u>	<u>PART NO</u>	<u>DESCRIPTION</u>	<u>QTY</u>
NI	1907849	VALVE ASSY., PARKING BRAKE CONTROL (NOT AVAILABLE AS AN ASSY., SEE SUBPARTS BELOW)	
8	0900266	VALVE, PARKING BRAKE	
NI	2598704	KNOB ONLY, VALVE PARKING BRAKE	
36	1340371	ELBOW, 90 DEG, MALE, 1469X4-Z, .13MP X .25T	
46	1344829	CONNECTOR, MALE, 1468X4-Z, .13MP X .25T	
58	1542505	TEE, MALE RUN, 1471X4-Z, 1/8 MPT X 1/4 TUBE	
82	2027118	PLUG, 1/8 PIPE	

Q4RE

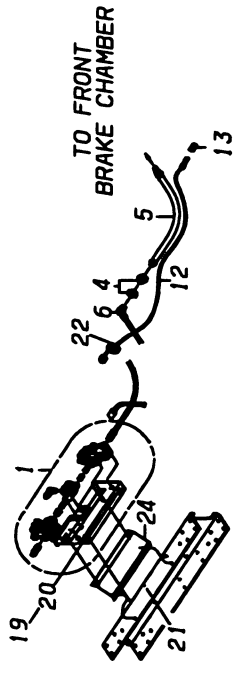
MANIFOLD ASSY., FRONT AIR BRAKE

<u>KEY</u>	<u>PART NO</u>	<u>DESCRIPTION</u>	<u>QTY</u>
NI	1907856	MANIFOLD ASSY., FRONT AIR BRAKE (NOT AVAILABLE AS AN ASSY., SEE SUBPARTS BELOW)	
17	2023083	FITTING, MANIFOLD,	
45	1414382	CONNECTOR, MALE, 1468X4X4-Z,.25 MP X .25T	
47	1344126	CONNECTOR, MALE, 1468X6Z,.25MP X .38T	
80	2023513	PLUG, PIPE, 1/4	3
81	2009595	PLUG, PIPE, 3/8, GALV	

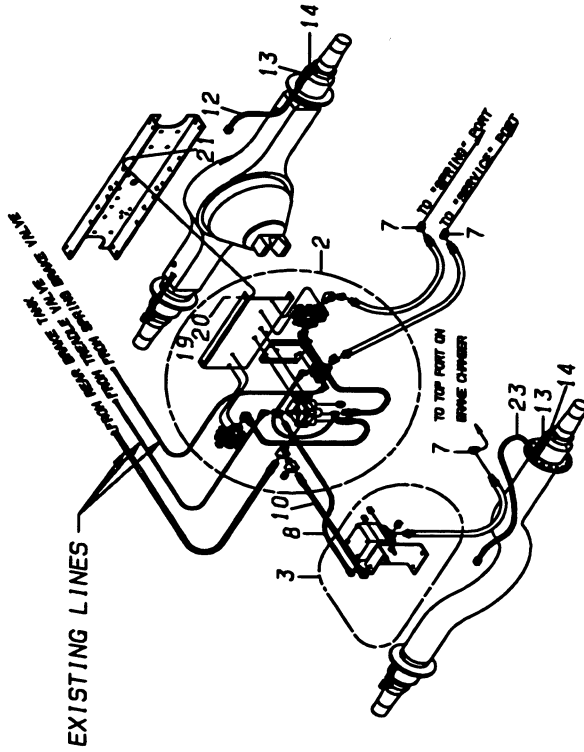
Q4RE

Notes

DR. 12/6/57 BY NJ	1749415	H
APP. 12/5/57 BY AB	PRT.	REV.
© GLENN BEARD COMPANY, ALL RIGHTS RESERVED		



TYP BOTH SIDES



TYP BOTH SIDES

**ABS INSTALLATION
(ENDING W/CSN F10001279)**

<u>KEY</u>	<u>PART NO</u>	<u>DESCRIPTION</u>	<u>QTY</u>
*1		VALVE ASSY, ABS,FRONT AXLE	1
	1900560	(ENDING W/CSN 0999991)	
	1949056	(BEG W/ CSN 0999992)	
*2	1900786	VALVE ASSY, ABS,DRIVE AXLE	1
*3	1900610	VALVE ASSY, ABS,TAG AXLE	1
4	0758698	COUPLING, ANCHOR,	2
5	0908244	HOSE ASSY, BRAKE,7/16 X 24 IN LONG	2
6	2023307	ELBOW, 3/8 MPT X 1/2 TUBE,	2
7	2027241	ELBOW, STREET,3/8,3400X6	6
8	2027381	TUBING, COPPER,3/8,TYPE L	1
9	2027399	TUBING, COPPER,1/2,TYPE L	1
10	2027407	TUBING, COPPER,5/8,TYPE L	1
11	1767433	ECU, REMOTE,FOUR CHANNEL ABS	1
12	1591098	HARNESS, WRG,ABS SENSOR,STRAIGHT	4
13	1542471	BUSHING, NOTCHED HUB SENSOR,ABS	6
14	1560796	BLOCK, SENSOR,SPICER J230SB SPINDLE	4
18	0850800	NUT, HEX HD,1/2-13,LOCKING,GR 8,YEL ZN DICH	2
19	0803213	CAPSCREW, HEX HD,3/8-16X1 1/4,GR8,YEL ZNDICH	8
20	1107085	WASHER, FLAT,13/32 X 13/16 X 3/32,HDN,BLK ZN	8
21	1013689	NUT, HEX HD,3/8-16,WASHER SER,YEL ZN DICH	8
22	1652379	GROMMET, RUBBER,1.25 ID W/1.50 X .25 GROOVE	2
23	1788348	HARNESS, WRG,ABS SENSOR,90 DEG	2
24	1897693	BRACKET, SUPT,ABS VALVE ASSY,	1

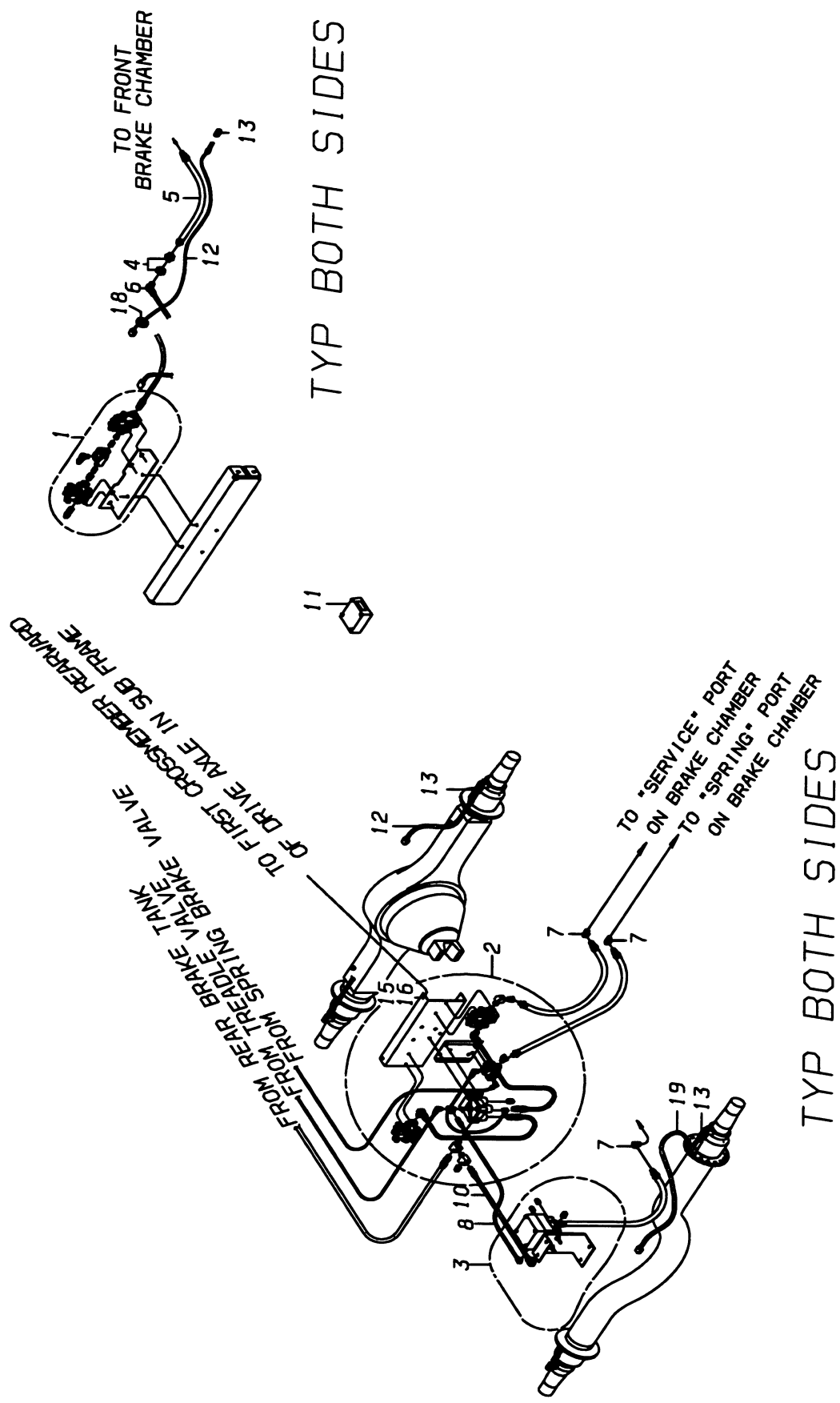
* SEE TABLE OF CONTENTS FOR COMPONENTS PARTS OF ASSY

Q4RE-I



DR. 1/23/99 BY NM	0012302	B
APP. 1/23/99 BY AB	PRT	REV

© BLUE BIRD BODY CORP. ALL RIGHTS RESERVED



**ABS INSTALLATION
(BEG W/CSN F10001280)**

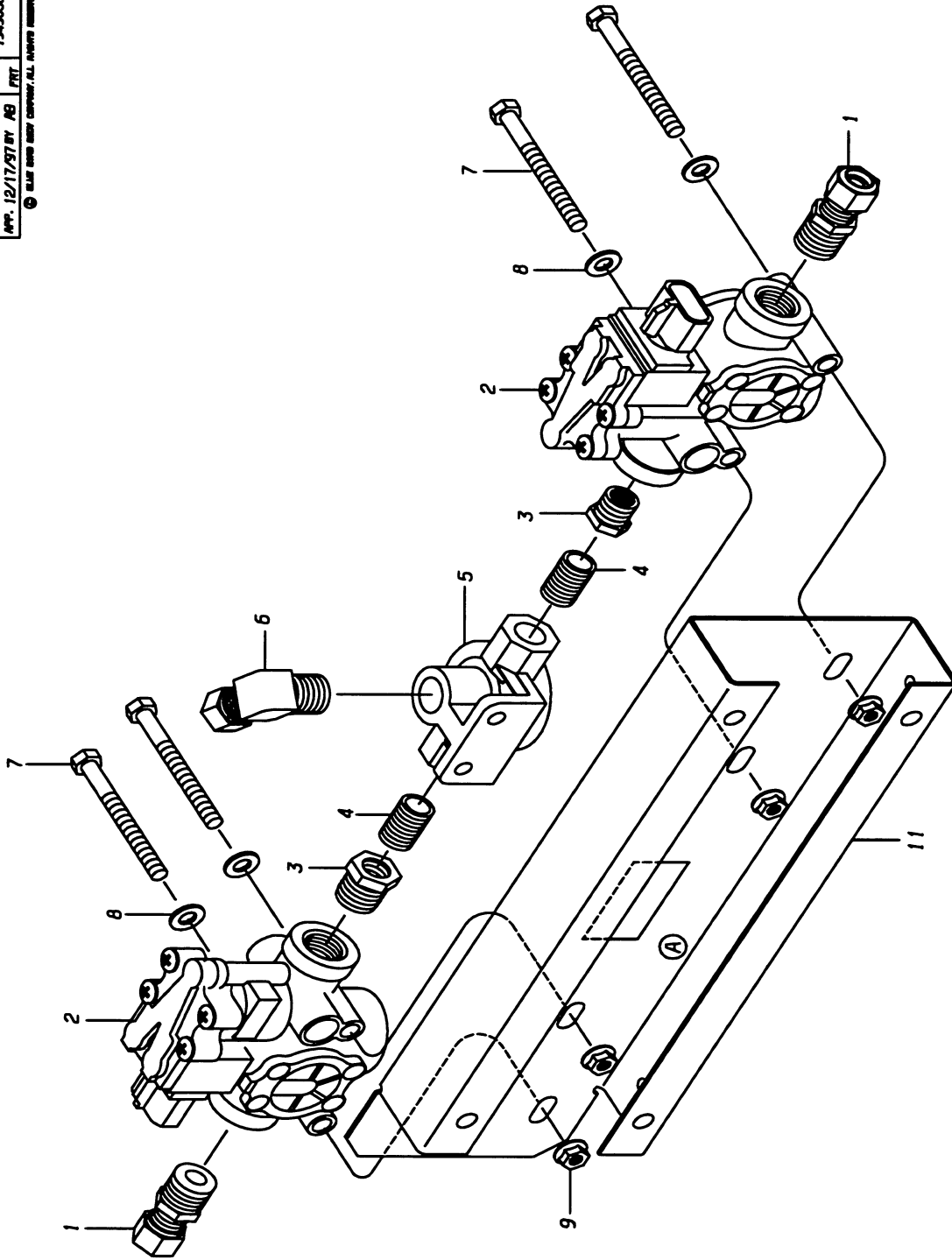
<u>KEY</u>	<u>PART NO</u>	<u>DESCRIPTION</u>	<u>QTY</u>
*1	0010694	VALVE ASSY, ABS,FRONT AXLE	1
*2	0010702	VALVE ASSY, ABS,DRIVE AXLE	1
*3		VALVE ASSY, ABS,TAG AXLE	1
	0012294	(ENDING W/CSN F10015624)	
	0007571	(BEG W/CSN F10015625)	
4	0758698	COUPLING, ANCHOR,	2
5	0908244	HOSE ASSY, BRAKE,7/16 X 24 IN LONG	2
6	2023307	ELBOW, 3/8 MPT X 1/2 TUBE,	2
7	2027241	ELBOW, STREET,90 DEG,3/8MPT X 3/8PFPT3400X6Z	6
8	2027381	TUBING, COPPER,3/8,TYPE L	1
9	2027399	TUBING, COPPER,1/2,TYPE L	1
10	2027407	TUBING, COPPER,5/8,TYPE L	1
11	1767433	ECU, REMOTE,FOUR CHANNEL ABS	1
12	1591098	HARNESS, WRG,ABS SENSOR,STRAIGHT	4
13	1542471	BUSHING, NOTCHED HUB SENSOR,ABS	6
14	0850800	NUT, HEX HD,1/2-13,LOCKING,GR 8,YEL ZN DICH	2
15	0803213	CAPSCREW, HEX HD,3/8-16X1 1/4,GR8,YEL ZNDICH	8
16	1107085	WASHER, FLAT,13/32 X 13/16 X 3/32,HDN,BLK ZN	8
17	1013689	NUT, HEX HD,3/8-16,WASHER SER,YEL ZN DICH	8
18	1652379	GROMMET, RUBBER,1.25 ID W/1.50 X .25 GROOVE	2
19	1788348	HARNESS, WRG,ABS SENSOR,90 DEG	2

* SEE TABLE OF CONTENTS FOR COMPONENTS PARTS OF ASSY

Q4RE



DR. 12/17/97 BY MJ	1949068	C
APP. 12/17/97 BY AB	PIT	REV
© 1997 PACCAR INC. ALL RIGHTS RESERVED		



C .

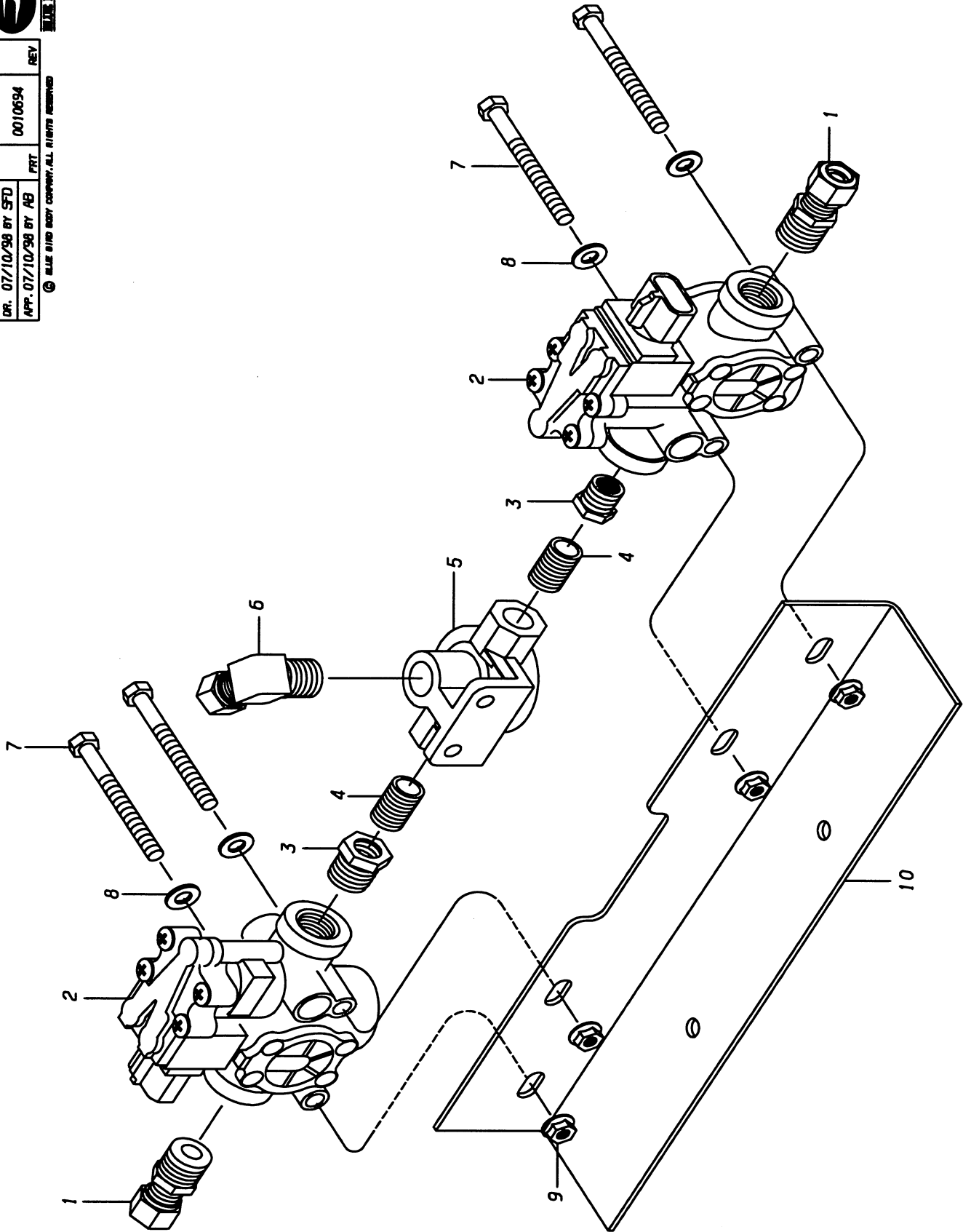
VALVE ASSY., ABS FRONT AXLE
OPT.. 4323-04 W/4559-02 OR 4558/ FEATURE 40189-01,40190-01,40190-02
(AARE-FROM CSN 1000004 TO CSN 10000532)
(Q4RE, W4RE-FROM CSN F10000004 TO CSN 10000948)

<u>KEY</u>	<u>PART NO</u>	<u>DESCRIPTION</u>	<u>QTY</u>
1	1340462	CONNECTOR,MALE	2
2	1608728	MODULATOR,M-21,ABS,4 CHANNEL	2
3	2023539	BUSHING,PIPE,1/2 MPT X 3/8 FPT	2
4	2027191	NIPPLE,0.375 CLOSE PIPE,BRASS	2
5	1940857	VALVE,QUICK RELEASE,1/2" INLET PORT	1
6	1344084	ELBOW,90 DEG,MALE	1
7	1226877	CAPSCREW,HEX HD,5/16X 3 1/2,GR8	4
8	2001048	WASHER,FLAT,11/32 X 11/16 X 1/16	4
9	0829390	NUT,HEX HD,5/16-18,SER WASHER	4
11	1643808	BRACKET,MTG,MODULATOR	1

Q4RE-I



DR. 07/10/98 BY SFD	0010694	REV
APP. 07/10/98 BY AB	PRT	
© ILLI BIRD BODY COMPANY, ALL RIGHTS RESERVED		



**VALVE ASSY., ABS FRONT AXLE
(FEATURE 40189-01, FEATURE 40190-01,40190-02)
(BEG W/ CSN F10000949)**

<u>KEY</u>	<u>PART NO</u>	<u>DESCRIPTION</u>	<u>QTY</u>
1	1340462	CONNECTOR, MALE,1468X8X8Z,.5MP X .5T	2
2	1608728	MODULATOR, M-21,ABS,4 CHANNEL,BENDIX 550436	2
3	2023539	BUSHING, PIPE,1/2 MPT X 3/8 FPT,3220X8X6Z	2
4	2027191	NIPPLE, 0.375 CLOSE PIPE,BRASS	2
5	1940857	VALVE, QUICK RELEASE,1/2" INLET PORT	1
6	1344084	ELBOW, 90 DEG,MALE,1469X8X8-Z,.50 MP X .5 T	1
7	1226877	CAPSCREW, HEX HD,5/16X 3 1/2,GR8,YEL ZN DICH	4
8	2001048	WASHER, FLAT,11/32 X 11/16 X 1/16,YEL ZNDICH	4
9	0829390	NUT, HEX HD,5/16-18,SER WASHER,YEL ZN DICH	4
10	0010686	BRACKET, MTG, MODULATOR	1

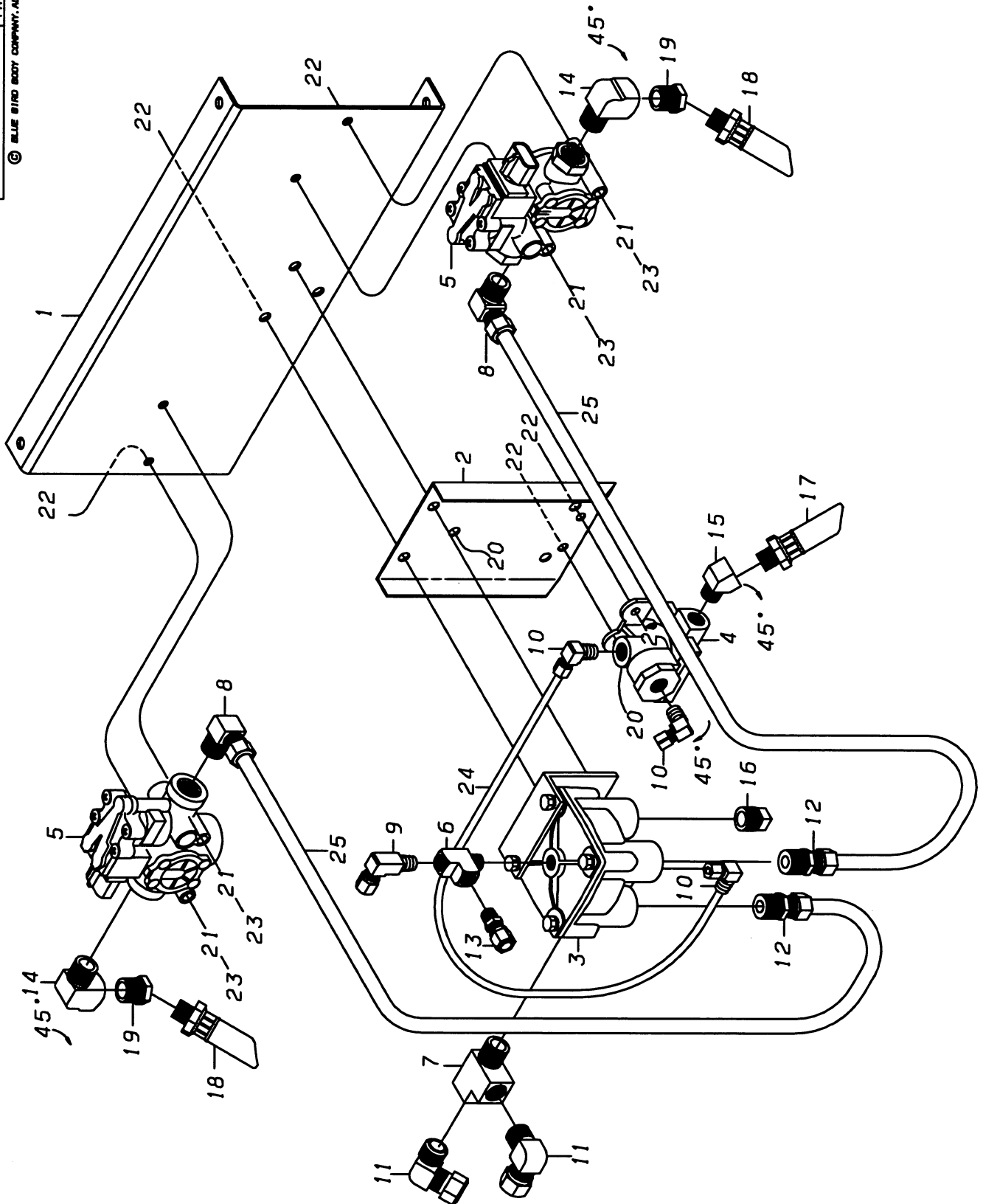
Q4RE



BLUE BIRD

DR. 12/17/97 BY NM	1900786	A
APP. 12/17/97 BY AB	FRT	REV

© BLUE BIRD BODY COMPANY. ALL RIGHTS RESERVED



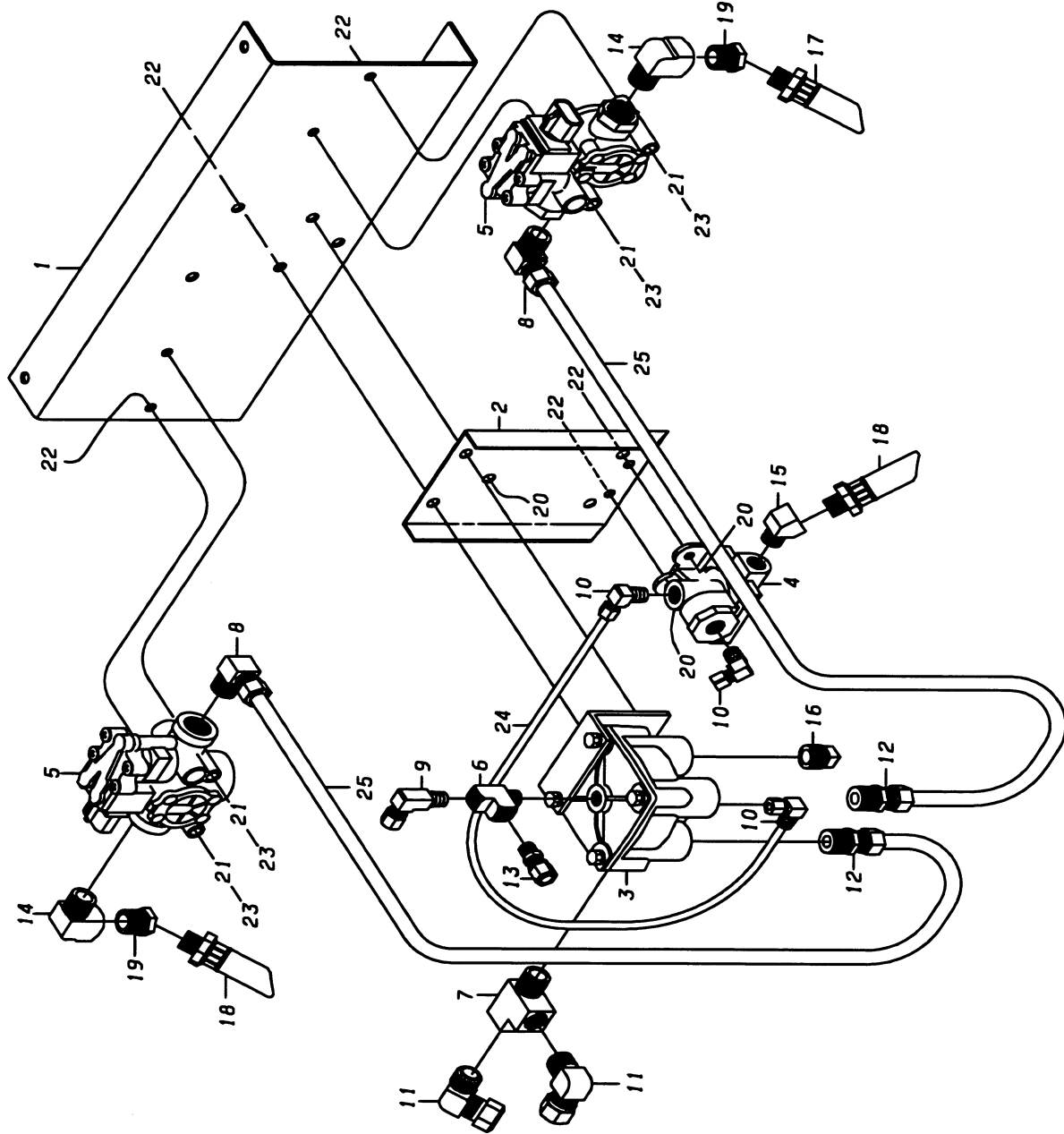
**VALVE ASSY., DRIVE AXLE, ABS
(ENDING W/CSN F10001438)**

<u>KEY</u>	<u>PART NO</u>	<u>DESCRIPTION</u>	<u>QTY</u>
1	1749357	BRACKE MTG,BRAKE VALVES,ABS	1
2	0756783	BRACKET,RELAY VALVE MTG,REAR AXLE,SKID,	1
3	1066679	VALVE,SERVICE BRK RELAY,R12,W/LH SUP	1
4	1220128	VALVE,SPRING BRAKE,RELAY,QR-1C	1
5	1608728	MODULATOR,M-21,ABS,4 CHANNEL,	2
6	0654277	TEE,STREET,1/4 PIPE,	1
7	0654350	TEE,1/2 PIPE,STREET	1
8	1344084	ELBOW,90 DEG,MALE,50 MP X .5 T	2
9	1344076	ELBOW,90 DEG,MALE,1469X-6-L-Z,.25 MP X .38T	1
10	1344092	ELBOW,90 DEG,MALE,1469X4X4-Z,.25 MP X .25 T	3
11	1643303	ELBOW,90 DEG,MALE,5/8 TUBE X 1/2 MPT	2
12	1340462	CONNECTOR,MALE,1468X8X8Z,.5MP X .5T	2
13	1344126	CONNECTOR,MALE,1468X6Z,.25MP X .38T	1
14	2008274	ELBOW,90 DEG,STREET,3400X8Z	2
15	2008282	ELBOW,STREET,45 DEG,3350X6Z,BRASS	2
16	0663427	PLUG,1/2 SQ HD PIPE,3151 X 8Z	1
17	0991653	HOSE ASSY,BRAKE,7/16 X 36 IN LONG	2
18	0991661	HOSE ASSY,BRAKE,7/16 X 44 IN LONG	2
19	2023539	BUSHING,PIPE,1/2 MPT X 3/8 FPT,230808	2
20	0854414	CAPSCREW,HEX HD,5/16-18X7/8,GR8,YEL ZN DICH	3
21	2001048	WASHER,FLAT,11/32 X 11/16 X 1/16,YEL ZNDICH	4
22	0829390	NUT,HEX HD,5/16-18,SER WASHER,YEL ZN DICH	9
23	1226877	CAPSCREW,HEX HD,5/16X 3 1/2,GR8,YEL ZN DICH	4
24	1346832	TUBING,PLASTIC,1/4 OD,RED,SAE J844 TYPE A	1
25	1346881	TUBING,PLASTIC,1/2 OD,RED,SAE J844 TYPE B	1

Q4RE-I



DR. 1/14/99 BY J.J.	0010702	REV
APP. 1/14/99 BY AB	FRT	
© BLUE BIRD BODY COMPANY, ALL RIGHTS RESERVED		



**VALVE ASSY., DRIVE AXLE, ABS
(BEG W/CSN F10001439)**

<u>KEY</u>	<u>PART NO</u>	<u>DESCRIPTION</u>	<u>QTY</u>
1	0010678	BRACKET, MTG,BRAKE VALVES, ABS	1
2	0756783	BRACKET, RELAY VALVE MTG,REAR AXLE,SKID,STD	1
3	1066679	VALVE, SERVICE BRK RELAY,R12,W/LH SUP	1
4	1220128	VALVE, SPRING BRAKE,RELAY,QR-1C	1
5	1608728	MODULATOR, M-21,ABS,4 CHANNEL,	2
6	0654277	TEE, STREET,1/4 PIPE,3750X4	1
7	0654350	TEE, 1/2 PIPE,STREET	1
8	1344084	ELBOW, 90 DEG,MALE,1469X8X8-Z,.50 MP X .5 T	2
9	1344076	ELBOW, 90 DEG,MALE,1469X-6-L-Z,.25 MP X .38T	1
10	1344092	ELBOW, 90 DEG,MALE,1469X4X4-Z,.25 MP X .25 T	3
11	1643303	ELBOW, 90 DEG,MALE,5/8 TUBE X 1/2 MPT	2
12	1340462	CONNECTOR, MALE,1468X8X8Z,.5MP X .5T	2
13	1344126	CONNECTOR, MALE,1468X6Z,.25MP X .38T	1
14	2008274	ELBOW, STREET,90 DEG,1/2MPT X 1/2FPT,3400X8Z	2
15	2008282	ELBOW, STREET,45 DEG,3350X6Z,BRASS	2
16	0663427	PLUG, 1/2 SQ HD PIPE,3151 X 8Z	1
17	0991653	HOSE ASSY, BRAKE,7/16 X 36 IN LONG	2
18	0770883	HOSE ASSY, BRAKE,7/16 X 44 IN LONG	2
19	2023539	BUSHING, PIPE,1/2 MPT X 3/8 FPT,3220X8X6Z	2
20	0854414	CAPSCREW, HEX HD,5/16-18X7/8,GR8,YEL ZN DICH	3
21	2001048	WASHER, FLAT,11/32 X 11/16 X 1/16,YEL ZNDICH	4
22	0829390	NUT, HEX HD,5/16-18,SER WASHER,YEL ZN DICH	9
23	1226877	CAPSCREW, HEX HD,5/16X 3 1/2,GR8,YEL ZN DICH	4
24	1346832	TUBING, PLASTIC,1/4 OD,RED,SAE J844 TYPE A	12"
25	1346881	TUBING, PLASTIC,1/2 OD,RED,SAE J844 TYPE B	36"

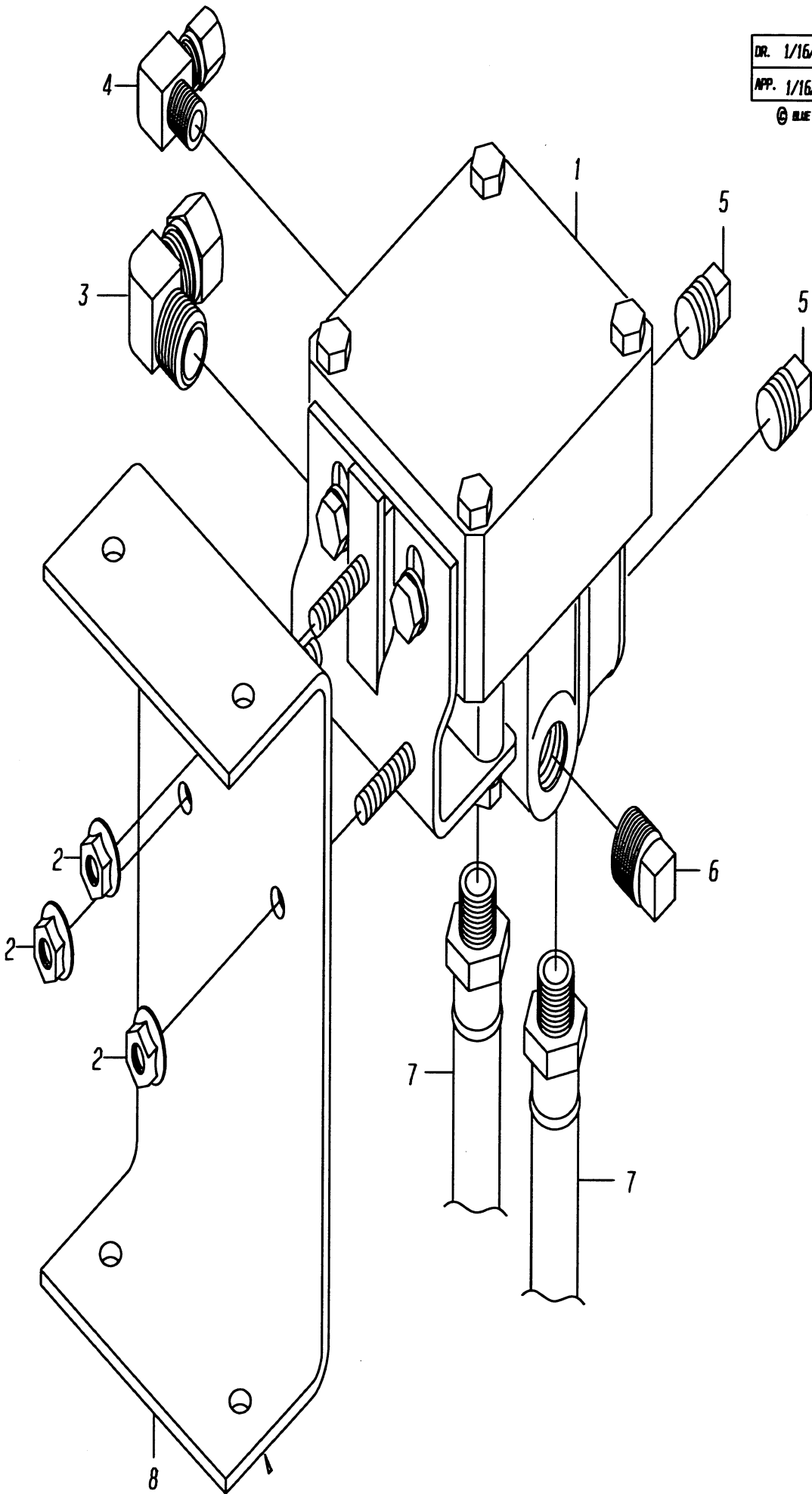
Q4RE

DR. 1/16/98 BY NW	1915610	REV
APP. 1/16/98 BY AB	FRT	REV



© BLUE BIRD BODY COMPANY, ALL RIGHTS RESERVED

BLUE BIRD



**VALVE ASSY., ABS TAG AXLE
(ENDING W/CSN F10001279)**

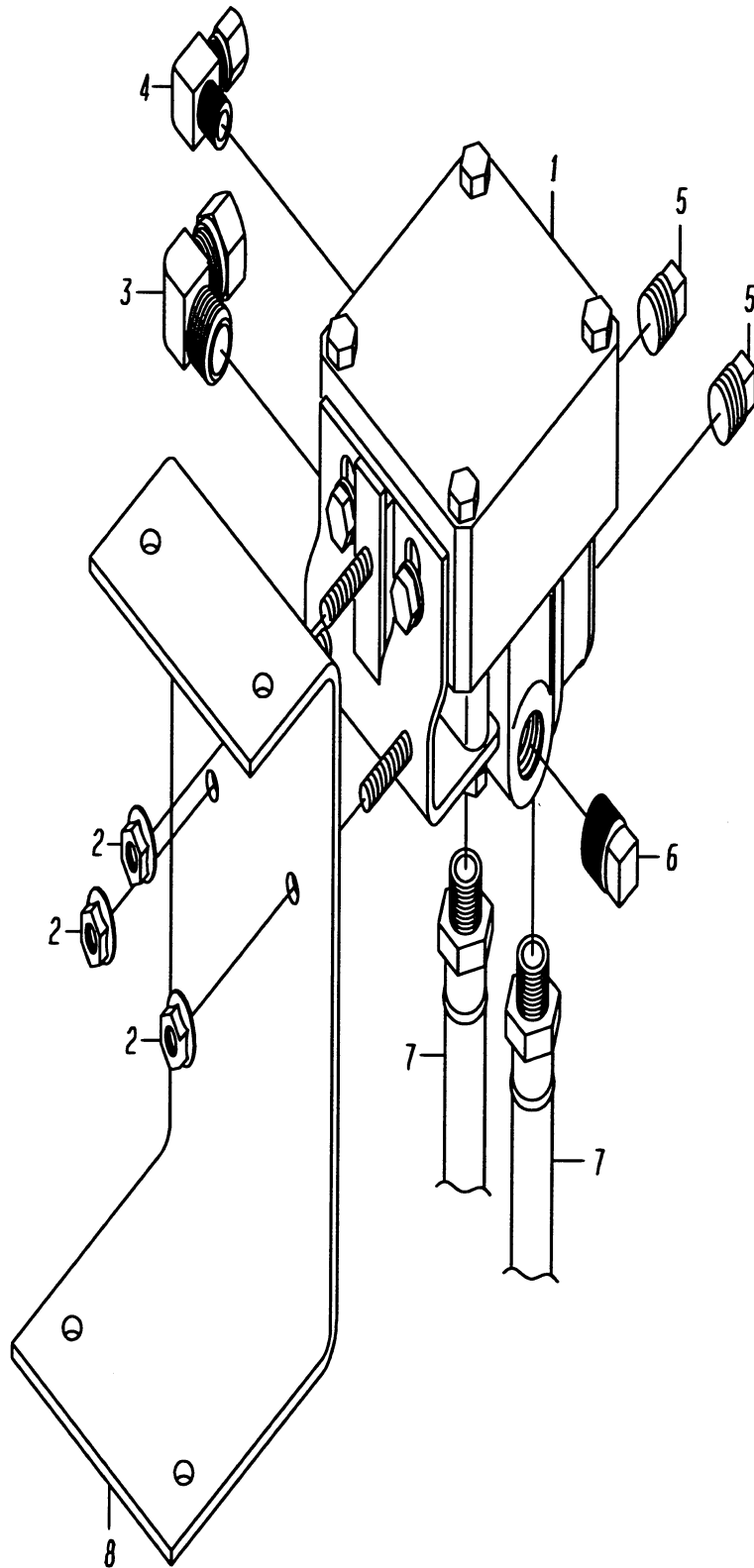
<u>KEY</u>	<u>PART NO</u>	<u>DESCRIPTION</u>	<u>QTY</u>
1	1601384	VALVE ASSY,W/ECU FOR SINGLE CHANNEL ABS	1
2	0829390	NUT,HEX HD,5/16-18,SER WASHER	3
3	1643303	ELBOW,90 DEG,MALE,5/8 TUBE X 1/2 MPT	1
4	1344068	ELBOW,90 DEG,MALE,1469X6-Z,.25 MP X .38 T	1
5	3772159	PLUG,PIPE,0.375,BRASS	2
6	0663427	PLUG,1/2 SQ HD PIPE	1
7	0908244	HOSE ASSY,BRAKE,7/16 X 24 IN LONG	2
8	1914803	BRACKET,MTG,VALVE ASSY,ABS,TAG AXLE	1

Q4RE-I

DR. 1/23/99 BY J.L.		0012294	REV
APP. 1/23/99 BY AB	FRT		



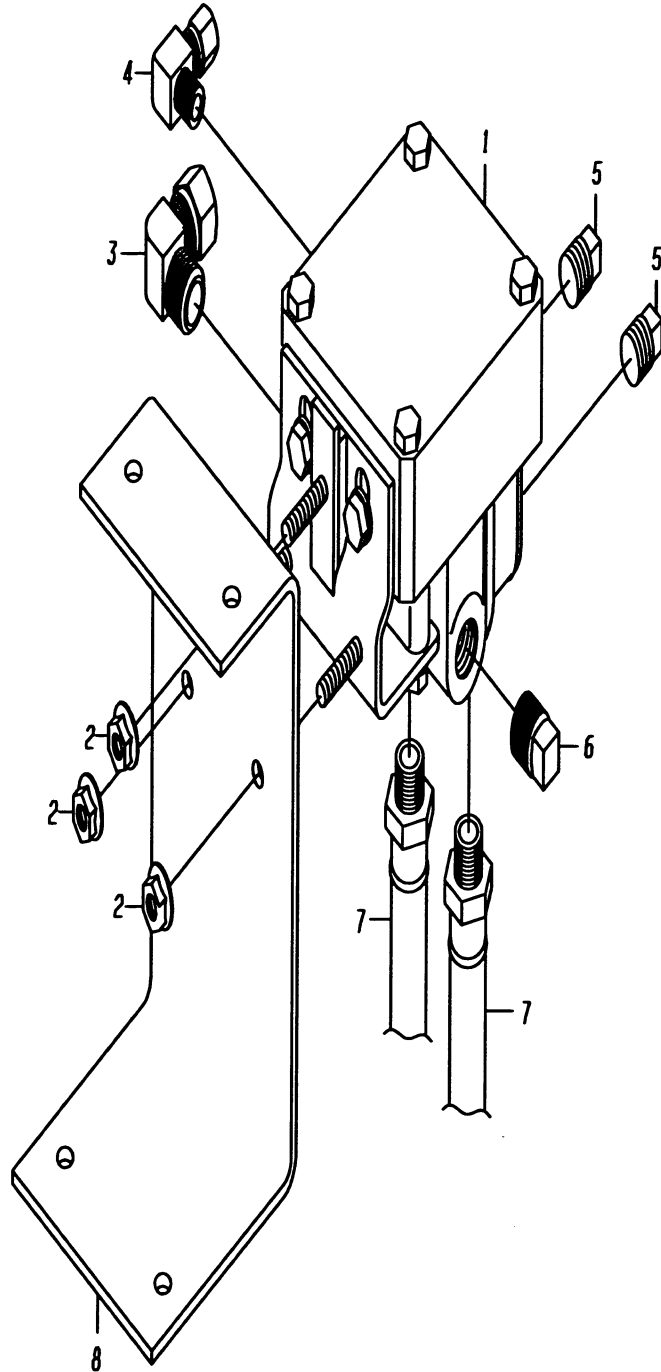
© ALL RIGHTS RESERVED



**VALVE ASSY., ABS TAG AXLE
(FROM CSN F10001280 TO CSN F10015624)**

<u>KEY</u>	<u>PART NO</u>	<u>DESCRIPTION</u>	<u>QTY</u>
1	1601384	VALVE ASSY,W/ECU FOR SINGLE CHANNEL ABS	1
2	0829390	NUT,HEX HD,5/16-18,SER WASHER	3
3	1643303	ELBOW,90 DEG,MALE,5/8 TUBE X 1/2 MPT	1
4	1344068	ELBOW,90 DEG,MALE,1469X6-Z,.25 MP X .38 T	1
5	3772159	PLUG,PIPE,0.375,BRASS	2
6	0663427	PLUG,1/2 SQ HD PIPE	1
7	0908244	HOSE ASSY,BRAKE,7/16 X 24 IN LONG	2
8	1914803	BRACKET,MTG,VALVE ASSY,ABS,TAG AXLE	1

Q4RE



**VALVE ASSY., ABS TAG AXLE
(BEG W/CSN F10015625)**

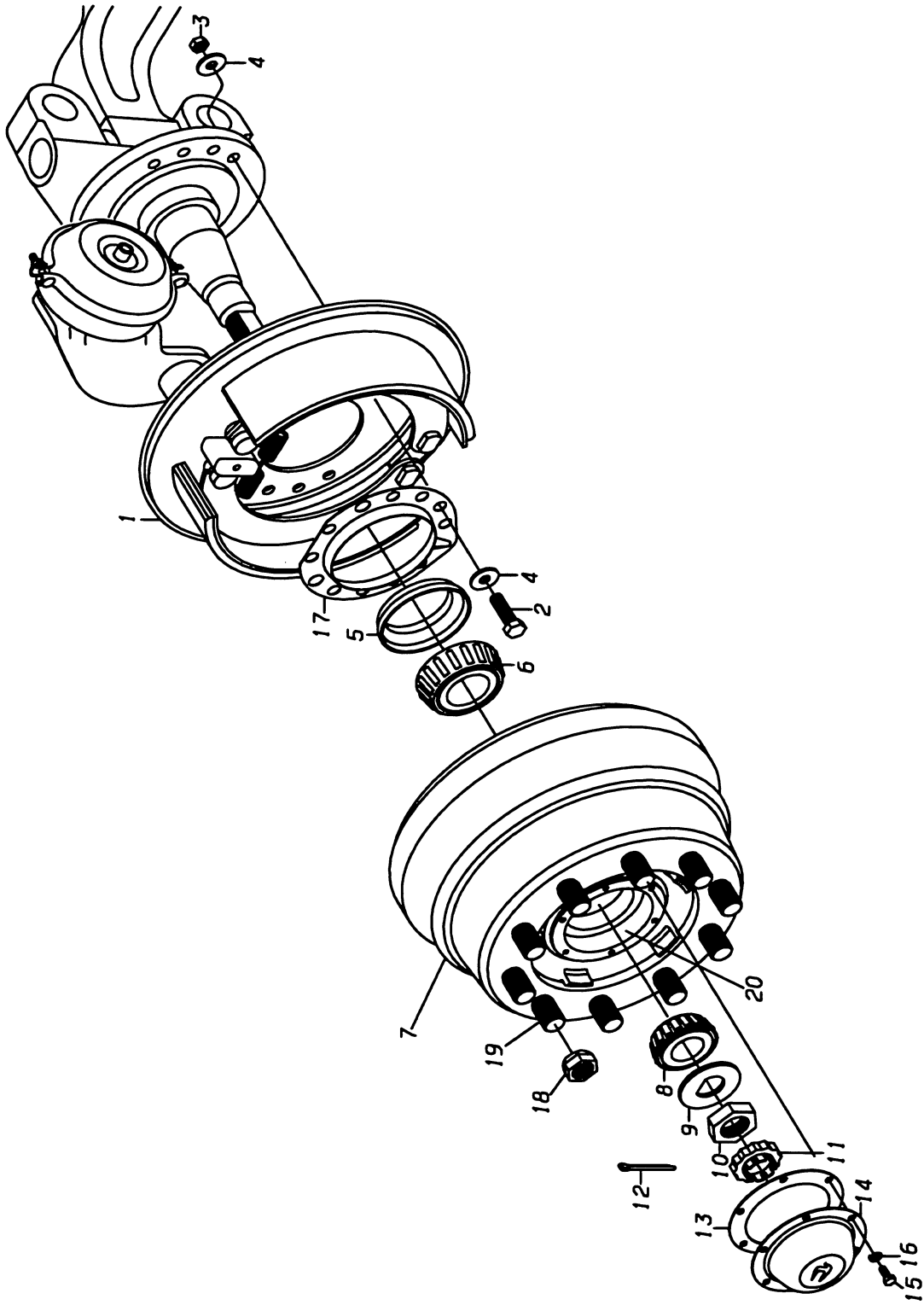
<u>KEY</u>	<u>PART NO</u>	<u>DESCRIPTION</u>	<u>QTY</u>
1	1601384	VALVE ASSY, W/ECU FOR SINGLE CHANNEL ABS	1
2	0829390	NUT, HEX HD,5/16-18,SER WASHER	3
3	1643303	ELBOW, 90 DEG,MALE,5/8 TUBE X 1/2 MPT	1
4	1344068	ELBOW, 90 DEG,MALE,1469X6-Z,.25 MP X .38 T	1
5	3772159	PLUG, PIPE,0.375,BRASS	2
6	0663427	PLUG, 1/2 SQ HD PIPE	1
7	0908244	HOSE ASSY, BRAKE,7/16 X 24 IN LONG	2
8	1914803	BRACKET, MTG,VALVE ASSY,ABS,TAG AXLE	1

Q4RE



DR. 11/18/97 BY NA	1736560	C
APP. 11/18/97 BY AB	FRT	REV

© BLUE BIRD BODY COMPANY. ALL RIGHTS RESERVED



*** WEC, FRONT AXLE, 6" DRUM BRAKES **W/ ABS W/DISC WHEELS
STD**

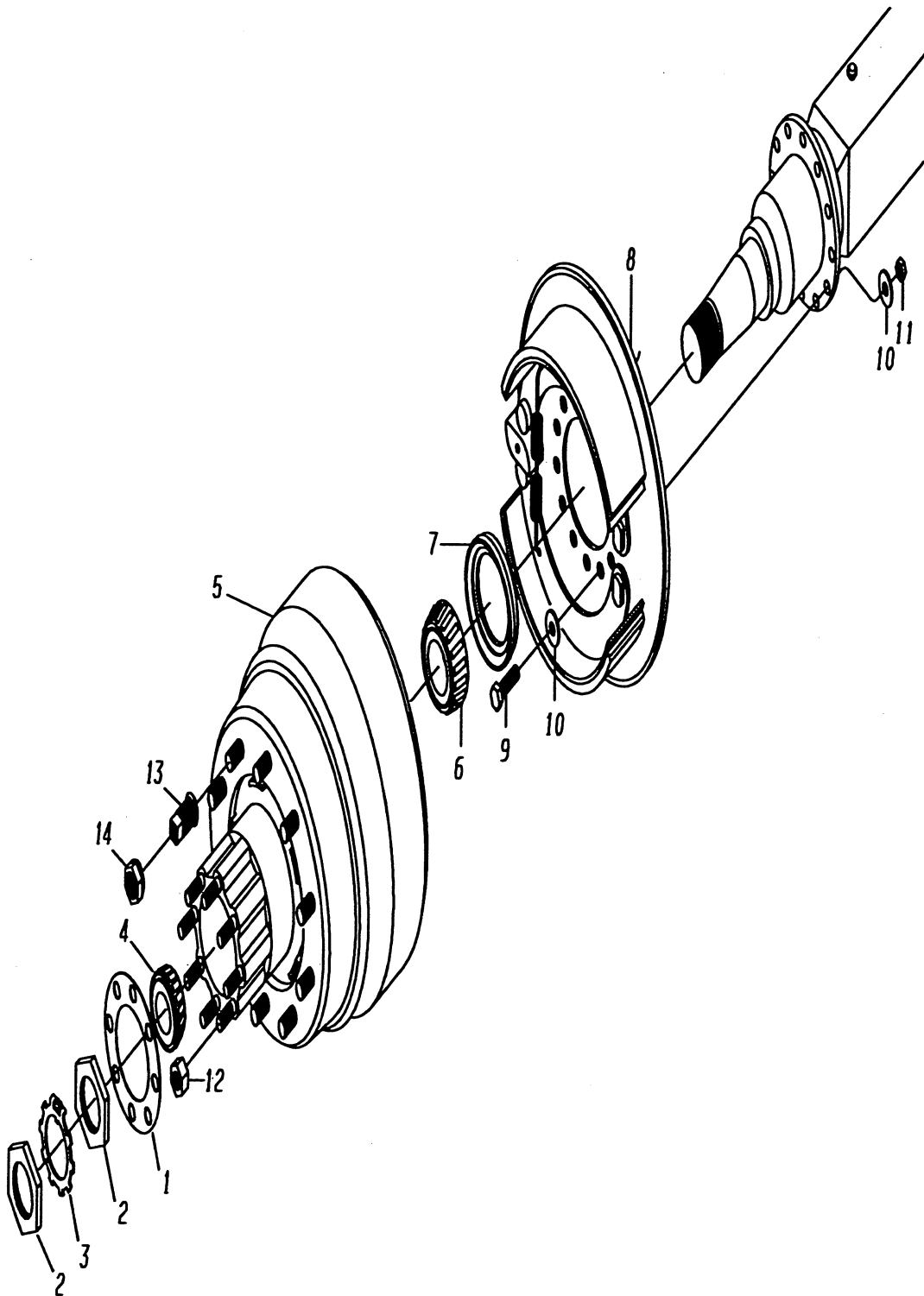
KEY	PART NO	DESCRIPTION	QTY
1		SEE BRAKE ASSEMBLY IN TABLE OF CONTENTS	
2	1998400	CAPSCREW, HEX HD, 5/8 -18 X 2	14
3	0929000	NUT,HEX HD, 5/8- 18, LOCKING, GR 8	14
4	0929018	WASHER, FLAT, 21/32 X 1 1/8 X 3/32	28
5	1391572	SEAL, INNER, FRONT	2
6	0929406	BEARING, INNER, FRONT AXLE	2
7	1583384	DRUM, BRAKE 6"	2
8	0929414	BEARING, OUTER,	2
9	1442771	WASHER, SPINDLE,	2
10	1442789	NUT, SPINDLE,	2
11	1442797	LOCKNUT	2
12	1446590	PIN, COTTER	2
13	0998484	GASKET, FRONT, HUBCAP	2
14		HUBCAP, STEERING AXLE	2
	1444652	STD	
	1553601	OPT 4246	
15	2028280	CAPSREW, HEX HD, 5/16-18 18 5/8 GR 5	12
16	2001188	LOCKWASHER, SPLIT RING , 5/16	12
17	1608389	SLINGER, OIL	2
18		OUTER CAP NUT	
	1460005	RH	10
	1460013	LH	10
19		STUD,SERRATED 1 1/8 -16	
	1460161	RH	10
	1460179	LH	10
20	4309969	HUB, 10 STUD	2
NI	1621002	ABS EXCITER RING	2
NI	2600179	CUP, OUTER	2
NI	2593093	CUP, INNER	2

B4RE, Q4RE, W4RE

DR. 2/1/99	BY NJ		
APP. 2/1/99	BY RJ	FRT	0005761 C REV



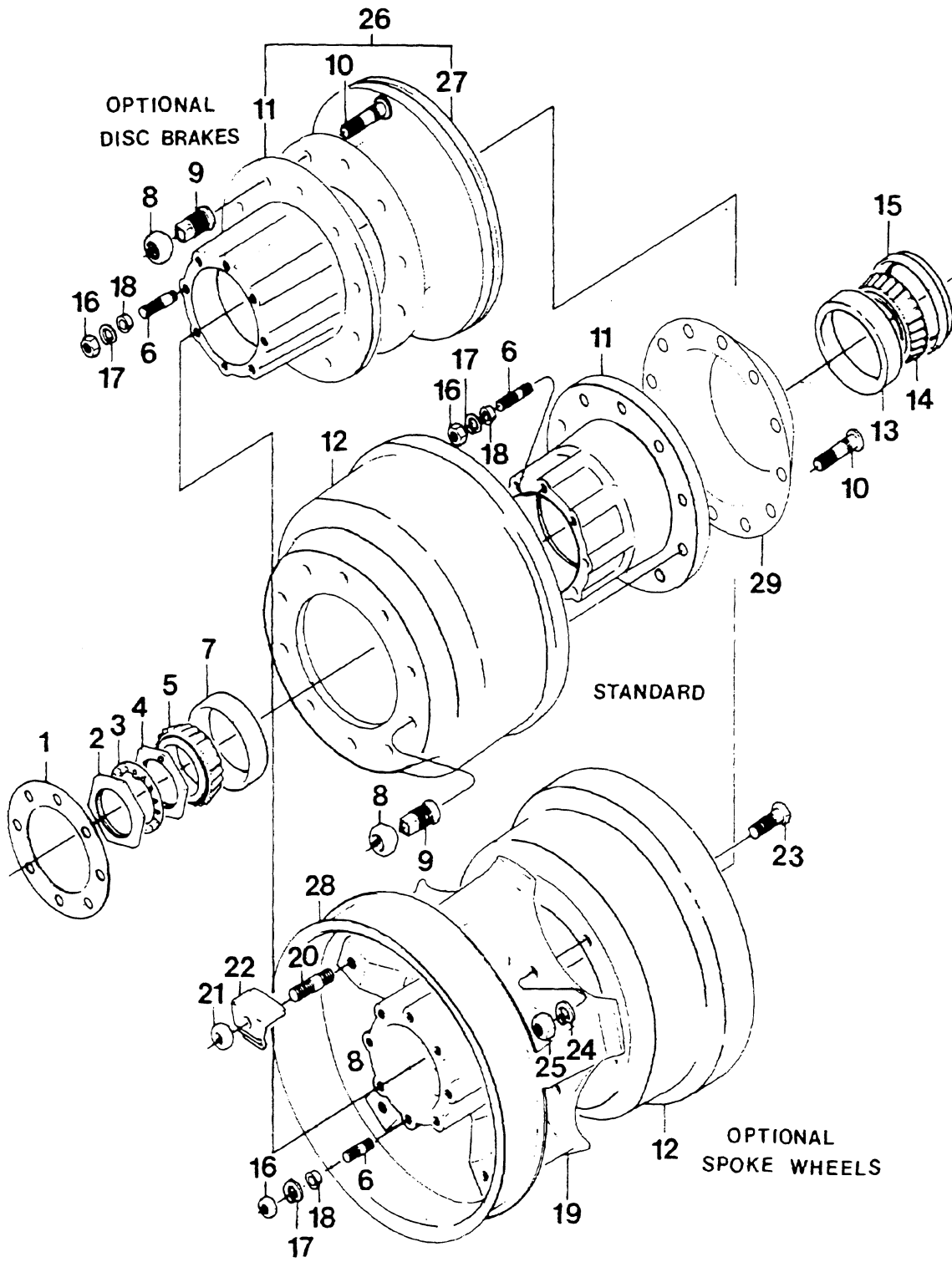
© ALL RIGHTS RESERVED



**WHEEL END COMPONENTS
REAR AXLE W230**

<u>KEY</u>	<u>PART NO</u>	<u>DESCRIPTION</u>	<u>QTY</u>
1	1970854	GASKET, AXLE SHAFT,	2
2	1543925	NUT, SPINDLE, REAR,	4
3	1543941	WASHER, LOCK, REAR,	2
4	0929059	BEARING, OUTER, AXLE SHAFT,	2
*5		HUB & DRUM ASSY, 8.62, (SEE INDENTED ITEMS BELOW)	1
	8200016	BRAKE DRUM	2
		HUB ASSY.,	2
	1954650	RH	
	1954668	LH	
	8200008	STUD DRIVE	8
	2621571	CUP, OUTER BEARING	2
		STUD, SERRATED 3/4 -16	
	1647619	RH	10
	1647601	LH	10
	2621779	CUP, INNER, BEARING	2
NI	1713775	SLINGER, OIL	
6	0929042	BEARING, INNER, REAR AXLE	2
7	0929067	SEAL, INNER, REAR AXLE OIL,LUBRICATED	2
8		BRAKE ASSY, (SEE TABLE OF CONTENTS)	
9	0928994	CAPSCREW, HEX HD, 5/8-18 X 2,GR 8,YEL ZN DICH	16
10	0929018	WASHER, FLAT, 21/32 X 1 1/8 X 3/32,HDN,YEL ZN	32
11	0929000	NUT, HEX HD, 5/8-18,LOCKING,GR 8,CADMIUM WAX	16
12	1483817	NUT, HEX HD, 3/4-16,PRVLG TORQUE,GR8,YEL DICH	16
13		NUT, CAP, INNER,	
	1311737	RH, ALUMINUM WHEELS (FEATURE 40441-02)	10
	1311745	LH ALUMINUM WHEELS (FEATURE 40441-02)	10
	1943786	RH STEEL WHEELS (FEATURE 40440-01)	10
	1943786	LH STEEL WHEELS (FEATURE 40440-01)	10
14		NUT, CAP, OUTER, 1 1/8 - 16	10
	1311711	RH (FEATURE 40441-01,-02)	10
	1311729	LH (FEATURE 40441-01,-02)	10
NI	1282888	WHEEL, 22.5 X 8.25 BLACK (FEATURE 40440-01)	8
NI	1499169	WHEEL, ALUMINUM (FEATURE 40441-02)	8
NI	1139542	VALVE, SCHRAEDER (FEATURE 40441-02)	4

Q4RE



**WHEEL END COMPONENTS
REAR AXLE W230**

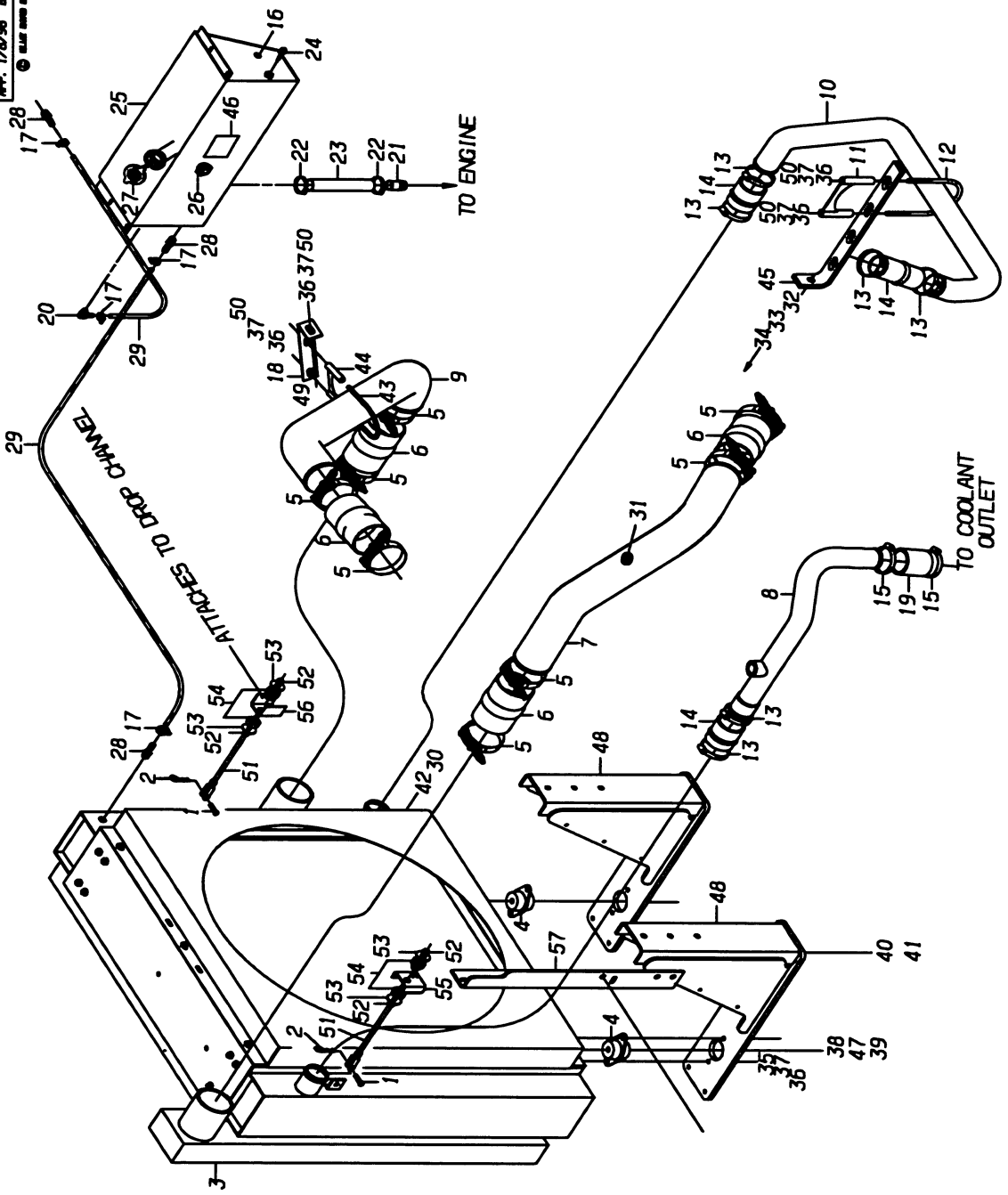
<u>KEY</u>	<u>PART NO</u>	<u>DESCRIPTION</u>	<u>QTY</u>
1	1970854	GASKET, AXLE SHAFT,	2
2	1543925	NUT, SPINDLE, REAR,	4
3	1543941	WASHER, LOCK, REAR,	2
4	0929059	BEARING, OUTER, AXLE SHAFT,	2
*5		HUB & DRUM ASSY, 8.62, (SEE INDENTED ITEMS BELOW)	1
	8200016	BRAKE DRUM	2
	0009535	HUB ASSY., W/O STUDS	2
	8200008	STUD DRIVE	8
	2621571	CUP, OUTER BEARING	2
		STUD, SERRATED 3/4 -16	
	1647619	RH	10
	1647601	LH	10
	2621779	CUP, INNER, BEARING	2
NI	1713775	SLINGER, OIL	
6	0929042	BEARING, INNER, REAR AXLE	2
7	0929067	SEAL, INNER, REAR AXLE OIL,LUBRICATED	2
8		BRAKE ASSY, (SEE TABLE OF CONTENTS)	
9	0928994	CAPSCREW, HEX HD, 5/8-18 X 2,GR 8,YEL ZN DICH	16
10	0929018	WASHER, FLAT, 21/32 X 1 1/8 X 3/32,HDN,YEL ZN	32
11	0929000	NUT, HEX HD, 5/8-18,LOCKING,GR 8,CADMIUM WAX	16
12	1483817	NUT, HEX HD, 3/4-16,PRVLG TORQUE,GR8,YEL DICH	16
13		NUT, CAP, INNER,	
	1311737	RH, ALUMINUM WHEELS (FEATURE 40441-02)	10
	1311745	LH ALUMINUM WHEELS (FEATURE 40441-02)	10
	1943786	RH STEEL WHEELS (FEATURE 40440-01)	10
	1943786	LH STEEL WHEELS (FEATURE 40440-01)	10
14		NUT, CAP, OUTER, 1 1/8 - 16	10
	1311711	RH (FEATURE 40441-01,-02)	10
	1311729	LH (FEATURE 40441-01,-02)	10
NI	1282888	WHEEL, 22.5 X 8.25 BLACK (FEATURE 40440-01)	8
NI	1499169	WHEEL, ALUMINUM (FEATURE 40441-02)	8
NI	1139542	VALVE, SCHRAEDER (FEATURE 40441-02)	4

Q4RE

REV	DATE	BY	APP.
1	1/20/98	BY NA	
2	1/20/98	BY AD	

1980091

© BLUE BIRD BODY COMPANY, ALL RIGHTS RESERVED



**ENGINE COOLING
FEATURE 40189-01 CUMMINS M11**

<u>KEY</u>	<u>PART NO</u>	<u>DESCRIPTION</u>	<u>QTY</u>
1	2008852	PIN,CLEVIS,1/2 DIA X 1 1/2 LG	2
2	2008860	PIN,COTTER,3/32 X 1	2
3	1928043	RADIATOR,CAC & SHROUD ASSY	1
4	1305861	ISOLATOR,MOTOR MOUNT	2
5	1258599	CLAMP,SPRING LOADED,4.25 ID	8
6	1735893	HOSE,HUMP,REINF,4.00ID X 6.00LG	4
7	1946581	TUBE,CHARGE AIR COOLER TO INTAKE	1
8	1946599	TUBE,RADIATOR,UPPER,M11	1
9	1946573	TUBE,CHARGE AIR COOLER TO TURBO	1
10	1946565	TUBE,RADIATOR,LOWER	1
11	0805184	SADDLE,2 1/2IN,S-250 STD,EXHAUST	1
12	0805176	U-BOLT,2 1/2,UB250 STD,EXHAUST	1
13	1905488	CLAMP,CONSTANT TORQUE,2 1/4 TO 3 1/8 DIA	6
14	1985498	HOSE,HUMP,RAD,2.50 X 5.00	3
15	1894807	CLAMP,CONSTANT TORQUE,1-3/4 TO 2-5/8 DIA	2
16	1940022	SENDER,LOW COOLANT	1
17	2027571	CLAMP,HOSE	4
18	1955426	BRACKET,CAC PIPE,TURBO TO CAC	1
19	1875269	HOSE,SILICONE,2.25 ID X 6.00 LONG	1
20	1409093	ELBOW,BARBED INSERT,3/8 HOSE X 1/4 MPT	1
21	0315200	ADAPTER,HTR,3/4 PIPE X 1 HOSE	1
22	1894799	CLAMP,CONSTANT TORQUE,13/16 TO 1-1/2 DIA	2
23	1143866	HOSE,HEATER,1 INCH ID,SILICONE	5'
24	1747997	SENSOR,LOW COOLANT	1
25		TANK ASSEMBLY, DEAERATION	
	1914001	Q4RE	1
	1977008	W4RE	1
26	1422179	SIGHT GLASS	1
27	1325430	CAP,RADIATOR,10 LB	1
28	1454008	INSERT,BARBED,3/8 ID HOSE X 1/4 MPT	1
29	1361468	HOSE,SILICON,.37 ID	1
30	2020659	COCK,DRAIN	1
31	1450535	ALARMSTAT,N/C 150 DEG	1
32	0854406	CAPSCREW,HEX HD,5/16-18 X 1,GR8	1
33	2001188	LOCKWASHER,SPLIT RING, 5/16,MED	1
34	2001410	NUT,HEX HD,5/16-18,YEL ZN DICH	1

Q4RE, W4RE

**ENGINE COOLING
FEATURE 40189-01 CUMMINS M11**

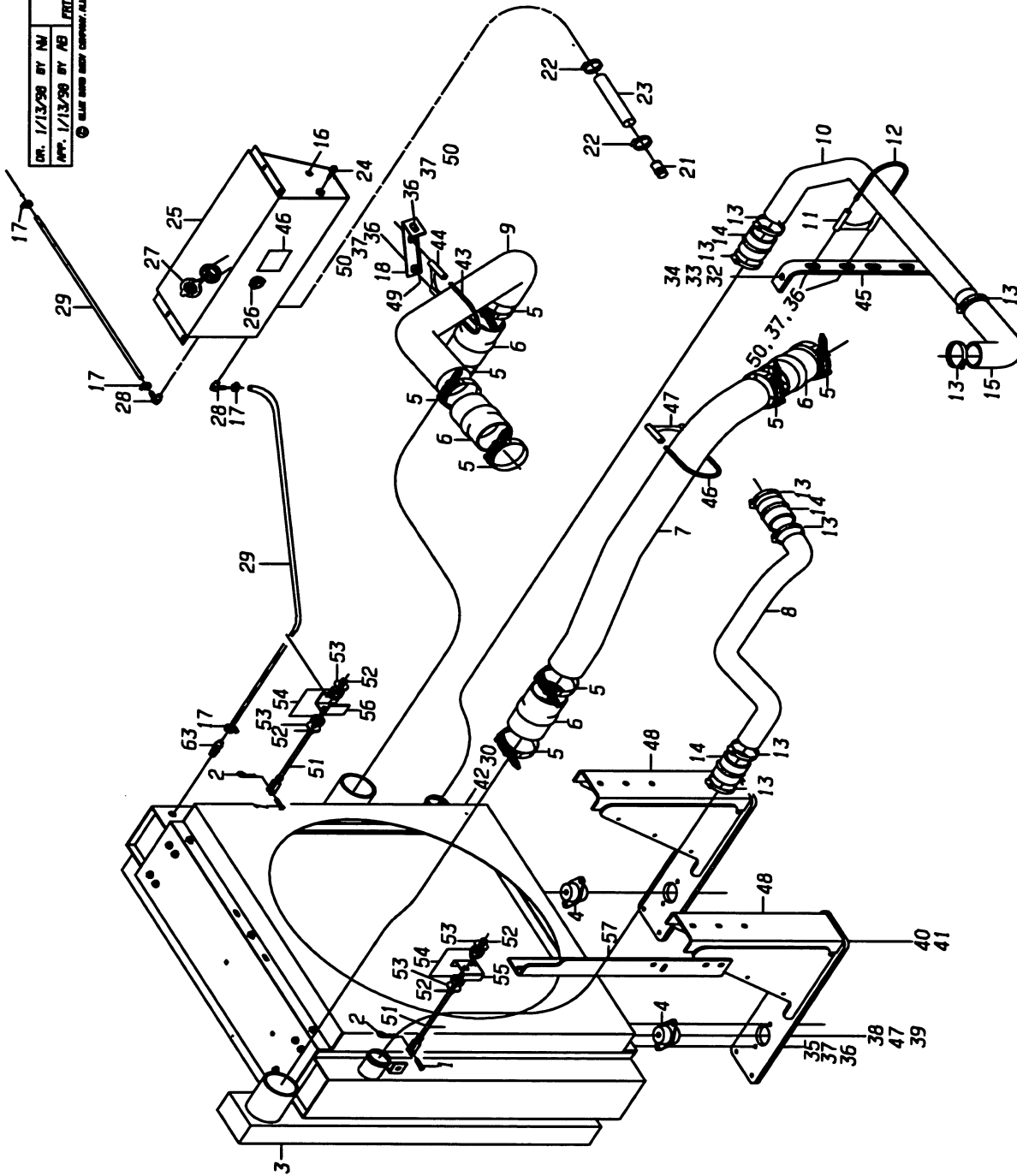
<u>KEY</u>	<u>PART NO</u>	<u>DESCRIPTION</u>	<u>QTY</u>
35	0803171	CAPSCREW,HEXHD,3/8-16NCX1-1/2	4
36	2001451	NUT,HEX HD,3/8-16	9
37	0882795	LOCKWASHER,SPLIT RING, 3/8	9
38	1003078	CAPSCREW,HEX HD,1/2-13 X 3,GR 8	2
39	2001212	LOCKWASHER,SPLIT RING, 1/2 ,LHT	2
40	1339621	CAPSCREW,HEX FLG,3/8-16X1.25	5
41	0543934	NUT,HEX HD,3/8-16,ZINC,LG FLG LK,	5
42	2027159	BUSHING,PIPE,1/2 X 1/4	1
43	0815621	U-BOLT,4IN,EXHAUST PIPE CLAMP	1
44	0819359	CLAMP,SADDLE,4IN EXHAUST PIPE	1
45	1917269	BRACKET,SUPPORT,LWR,RADIATOR TUBE	1
46	1784743	DECAL,COLD FILL,DEAERATION TANK	1
47	1306927	WASHER,FLAT,.531 X 2.250 X 11 GA	6
48	1946631	BRACKET ASSY,MTG,RADIATOR & CAC ASSY	2
49	0854422	CAPSCREW,HEX HD,3/8-16X1 1/8,G8	1
50	1078922	WASHER,FLAT,3/8 X 7/8 X 5/64	7
51	1986777	BRACE ASSY,RADIATOR AND CAC	1
52	0959460	NUT,HEX HD,1/2-20,GR 8,	4
53	1306927	WASHER,FLAT,.531 X 2.250 X 11 GA	4
54	1894773	ISOLATOR	2
55	1986827	BRACKET ASSY,MTG,RADIATOR BRACE,REAR	1
56	1986801	BRACKET ASSY,MTG,RADIATOR BRACE,FRONT	1
57	1986835	ANGLE,BRACE,RADIATOR	1
NI	1938265	ANGLE, REINFORCEMENT, RADIATOR MTG BRACKETS	1
59	1743970	FAN ASSY,32.00 IN.,9 BLADE 3.50	1

Q4RE, W4RE

Notes

REV.	DATE	BY	CHK
1	1996109	NA	NA
2		AB	AB

© 1996 GM BENTLEY COMPANY, ALL RIGHTS RESERVED



**ENGINE COOLING
FEATURE 40190-01, DD SERIES 60**

<u>KEY</u>	<u>PART NO</u>	<u>DESCRIPTION</u>	<u>QTY</u>
1	2008852	PIN,CLEVIS,1/2 DIA X 1 1/2 LG,	2
2	2008860	PIN,COTTER,3/32 X 1	2
3	1928043	RADIATOR,CAC & SHROUD ASSY	1
4	1305861	ISOLATOR,MOTOR MOUNT	2
5	1258599	CLAMP,SPRING LOADED,4.25 ID	8
6	1735893	HOSE,HUMP,REINF,4.00ID X 6.00LG	4
7	1905678	TUBE,CHARGE AIR COOLER TO INTAKE	1
8	1905348	TUBE,RADIATOR,UPPER	1
9	1958909	TUBE,CHARGE AIR COOLER TO TURBO	1
10	1877851	TUBE,RADIATOR,LOWER	1
11	0805184	SADDLE,2 1/2IN,S-250 STD,EXHAUST	1
12	0805176	U-BOLT,2 1/2,UB250 STD,EXHAUST	1
13	1905488	CLAMP,CONSTANT TORQUE,2 1/4 TO 3 1/8 DIA	8
14	1985498	HOSE, HUMP, RAD. 2.50X5.00	3
15	1741024	ELBOW,SILICONE,90 DEG.2.50 ID W/SPRING	1
16	1940022	SENDER,LOW COOLANT	1
17	2027571	CLAMP,HOSE	4
18	1955426	BRACKET,CAC PIPE,TURBO TO CAC	1
19	1135706	ADAPTER,1012-12-165,37DEG,STEEL FLARE	2
20	1900281	HOSE ASSY,1.00 ID,37 DEG,FEMALE SWIVEL	1
21	0315200	ADAPTER,HTR,3/4 PIPE X 1 HOSE	1
22	1894799	CLAMP,CONSTANT TORQUE,13/16 TO 1-1/2 DIA	2
23	1143866	HOSE,HEATER,1 INCH ID,SILICONE	5'
24	1747997	SENSOR,LOW COOLANT	1
25		TANK ASSEMBLY,DEAERATION	
	1914001	Q4RE	1
	1977008	W4RE	1
26	1422179	SIGHT GLASS	1
27	1325430	CAP,RADIATOR,10 LB	1
28	1409093	ELBOW,BARBED INSERT,3/8 HOSE X 1/4 MPT	2
29	1361468	HOSE,SILICON,.37 ID	1
30	2020659	COCK,DRAIN	1
31	1501097	BRACKET,ATCH,BRAKE LINE TO FRAME	2
32	0854406	CAPSCREW,HEX HD,5/16-18 X 1,GR8	1
33	2001188	LOCKWASHER,SPLIT RING, 5/16,MED	1
34	2001410	NUT,HEX HD,5/16-18,YEL ZN DICH	1

Q4RE, W4RE

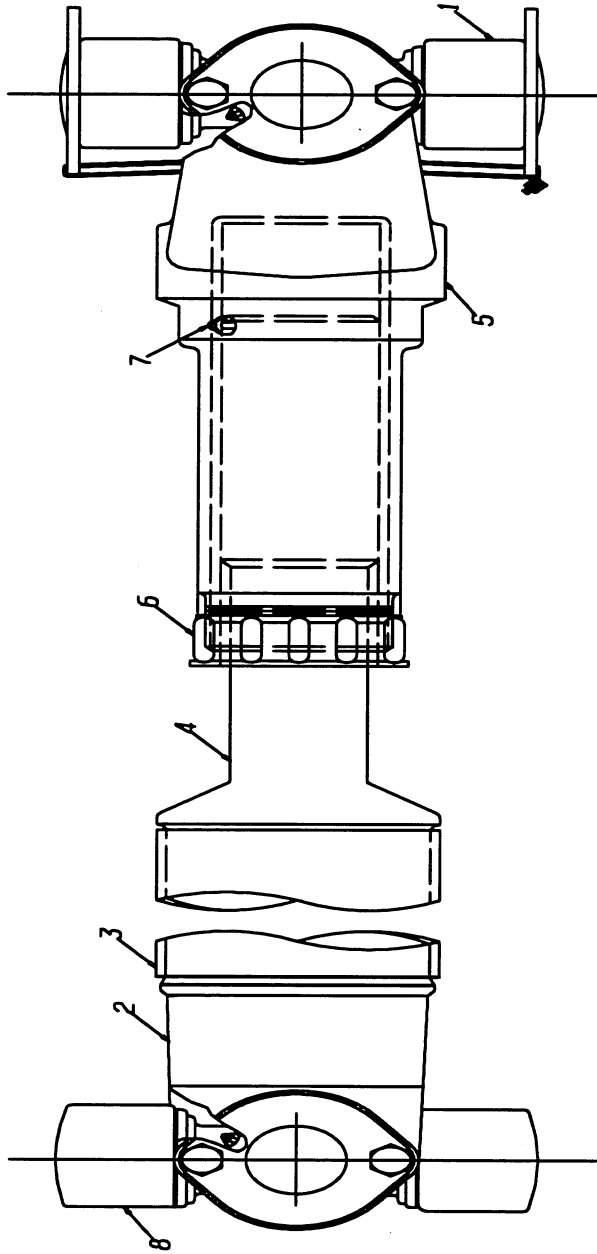
**ENGINE COOLING
FEATURE 40190-01, DD SERIES 60**

KEY	PART NO	DESCRIPTION	QTY
35	0803171	CAPSCREW,HEXHD,3/8-16NCX1-1/2,GR8	4
36	2001451	NUT,HEX HD,3/8-16	9
37	0882795	LOCKWASHER,SPLIT RING, 3/8	9
38	1003078	CAPSCREW,HEX HD,1/2-13 X 3,GR 8,	2
39	2001212	LOCKWASHER,SPLIT RING, 1/2 ,LHT	2
40	1339621	CAPSCREW,HEX FLG,3/8-16X1.25	5
41	0543934	NUT,HEX HD,3/8-16,ZINC,LG FLG LK,	5
42	2027159	BUSHING,PIPE,1/2 X 1/4	1
43	0815621	U-BOLT,4IN,EXHAUST PIPE CLAMP	1
44	0819359	CLAMP,SADDLE,4IN EXHAUST PIPE	1
45	1917269	BRACKET,SUPPORT,LWR,RADIATOR TUBE	1
46	1784743	DECAL,COLD FILL,DEAERATION TANK	1
47	1306927	WASHER,FLAT,.531 X 2.250 X 11 GA	6
48	1946631	BRACKET ASSY,MTG,RADIATOR & CAC ASSY	2
49	0854422	CAPSCREW,HEX HD,3/8-16X1 1/8,G8	1
50	1078922	WASHER,FLAT,3/8 X 7/8 X 5/64	7
51	1986777	BRACE ASSY,RADIATOR AND CAC	1
52	0959460	NUT,HEX HD,1/2-20,GR 8	4
53	1306927	WASHER,FLAT,.531 X 2.250 X 11 GA,YE	4
54	1894773	ISOLATOR	2
55	1986827	BRACKET ASSY,MTG,RADIATOR BRACE,REAR	1
56	1986801	BRACKET ASSY,MTG,RADIATOR BRACE,FRONT	1
57	1986835	ANGLE,BRACE,RADIATOR	1
58	1042878	ADAPTER,848-FSO-16X16	2
59	1757079	ELBOW,SWIVEL NUT,90 DEG WITH 1/2 FPT	1
60	1078781	SENDER, WATER TEMP, 1/2 PIPE	1
61	1225598	CLAMP,LOOP,1.25	2
62	1900273	HOSE ASSY,1.00 ID,37 DEG,FEMALE SWIVELS	1
63	2023224	CONNECTOR,1/4 MPT X 1/4 TUBE,205183	1
65	1743970	FAN ASSY,32.00 IN.,9 BLADE 3.50	1
NI	1938265	ANGLE, REINFORCEMENT, RADIATOR MOUNTING BRACKET	1

Q4RE, W4RE

Notes

DR. 9/22/97 BY NJ	1089064	C
APP. 9/22/97 BY GH	PRT	REV
© BLUE BIRD BODY COMPANY, ALL RIGHTS RESERVED		



**DRIVE LINE
CUMMINS M11, DD SERIES 60**

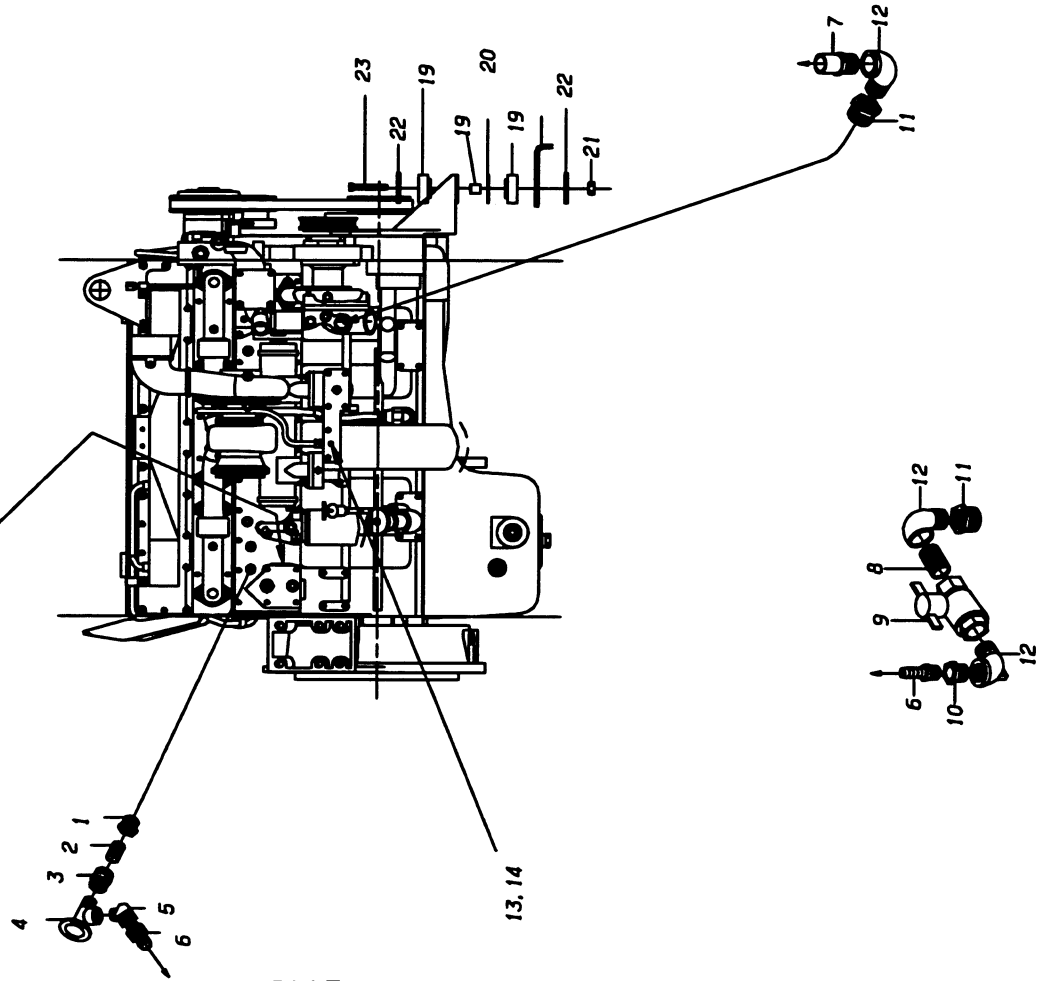
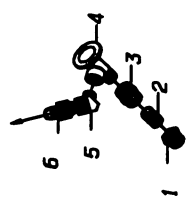
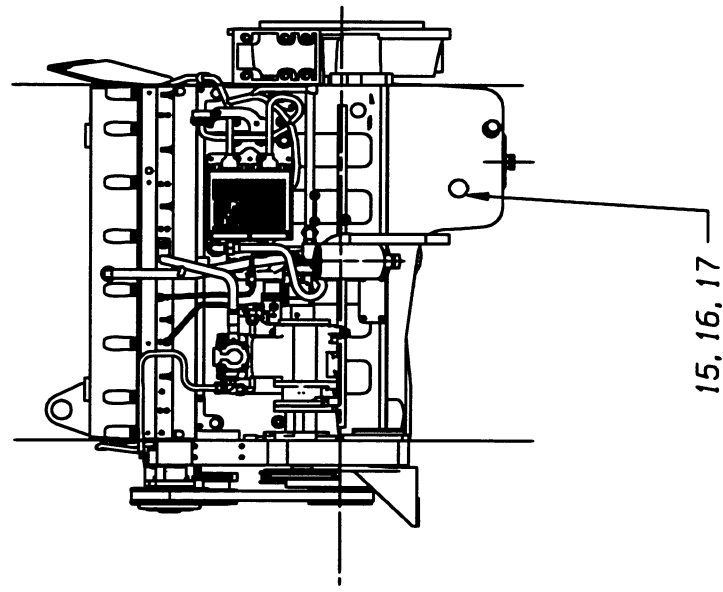
<u>KEY</u>	<u>PART NO</u>	<u>DESCRIPTION</u>	<u>QTY</u>
NI		DRIVESHAFT ASSEMBLY 1810 SERIES	
		Q4RE, B4RE	
	1934629	(FEATURE 40188-01, 40189-01) CUMMINS	
	1910777	(FEATURE 40190-01), DD SERIES 60	
		W4RE	
	1910777	(FEATURE 40190-02), 40 FT ONLY 247 WHEELBASE	
	1888924	(FEATURE 40190-02), 42 FT ONLY 259 WHEELBASE	
1	1160803	KIT, 5-28 1x, JOURNAL & BEARING	1
2	1160860	YOKE, TUBE, 1810 SPICER	1
3	1160845	TUBING, 4.50 O.D. X .135 WALL	1
4	1160837	SHAFT, STUB, SLIP, 1810 SPICER	1
5	1160811	YOKE ASSY., SLIP, 1810 SPICER	1
6	1160829	SEAL, SLIP JOINT, 1810 SPICER	1
7	2027431	FITTING, GREASE, 5000, 1/8 MPT, STRAIGHT	1
8	1889864	CROSS & BEARING KIT, 1810 HALF ROUND YOKE	1
NI	1313774	HOSE, .625 IS X .906 OD	39'

B4RE, Q4RE, W4RE



DR. 9/19/97 BY NW	1948108	A
APP. 9/19/97 BY GH	FRT	REV

© BLUE BIRD BODY COMPANY. ALL RIGHTS RESERVED



**ENGINE TRIM
CUMMINS M11 FEATURE 40189-01**

<u>KEY</u>	<u>PART NO</u>	<u>DESCRIPTION</u>	<u>QTY</u>
1	2023539	BUSHING, PIPE, 1/2	3
2	2027191	NIPPLE, .375 CLOSE PIPE	2
3	1002898	COUPLING, 3/8 X 3/8	2
4	0871954	COCK, SHUTOFF	3
5	2008282	ELBOW, STREET, 45 DEG.	3
6	1313840	INSERT, BARBED, STRAIGHT	4
7	0315200	ADAPTER, HTR, 3/4 PIPE X 1" HOSE	1
8	2009504	NIPPLE, PIPE, 3/4	1
9	1626431	VALVE, BALL, 3/4 W/ BUTTERFLY HANDLE	1
10	1900745	BUSHING, 3/4 MPT, 3/8 FPT.	1
11	2009082	BUSHING, PIPE, GALV, 3/4 X 1	2
12	0760249	ELBOW, STREET, 3/4, 90 DEG	3
13	2008050	BUSHING, BRASS, JK DR,	1
14	1940014	SENDER, OIL PRESSURE	1
15	0618512	BUSHING, PIPE, 1/2 X 1	1
16	2027159	BUSHING, PIPE, 1/2 X 1/4	1
17	1939990	SENDER, OIL TEMP,	1
18	1940006	SENDER, WATER TEMP.	1
19	1895069	ISOLATOR, MOTOR MOUNT, FRT	2
20	1875491	SPACER, 3.25 OD X 2.00 ID X .116 THICK	2
21	0933879	NUT, HEX HD, 3/4 -10	2
22	1080316	WASHER, FRONT ENGINE MTG.	4
23	1317783	CAPSCREW, HEX HD ,3/4-10 X 5,GR8	2
24	1955491	HEATER, ENGINE BLOCK, 1500 WATT	24
25	0946533	LOOM, CORRUGATED, BLACK	1
NI	1952258	CABLE ASSY, ALT TO STARTER HOT	1
NI	1952266	CABLE ASSY, ALT TO GROUND	1
NI	1816073	ALTERNATOR, 200 AMP	1
NI	1947852	BELT, ALTERNATOR	1
NI	0002574	BRACKET, ALT ADJUSTMENT	1
NI	1132034	CAPSCREW, HEX HEAD, M12-1.75 X 35 (ALT BRACKET)	1
NI	0998526	SPACER, .250X1.25	1
NI	1003052	WASHER, FLAT, 15/32	1
NI	1972009	BELT, AIR CONDITIONER	1
NI	1799303	BELT, DRIVE	1
NI	0009424	FILTER, OIL, ENGINE	1

Q4RE

**ENGINE TRIM
DD SERIES 60 FEATURE 40190-01**

<u>KEY</u>	<u>PART NO</u>	<u>DESCRIPTION</u>	<u>QTY</u>
NI	0809103	SWITCH, MAGNETIC, STARTER	1
NI	1054378	ALARMSTAT, HIGH TEMP, KYSOR	1
NI	1112556	SWITCH, PRESSURE, FASCO, LOW OIL	1
NI	1659226	SWITCH, QUICK START TEMP.	1
NI	1801851	HEATER, ENG. BLOCK 1500 W.	1
NI	1801877	THERMOSTAT, ENGINE BLOCK, HEATER	1
NI	1811306	HARNESS, WIRING ,ENGINE, DDEC III	1
NI	1954130	HARNESS, WIRING, FUEL SENSORS	1
NI	1780543	BREAKER, CIRCUIT,15A	2
NI	1786185	CABLE ASSY, STARTER, SOL TO CHAS RL	1
NI	1939982	SENDER, TRANSMISSION OIL TEMP.	1
NI	1939990	SENDER, TRANSMISSION OIL, VDO	1
NI	1940006	SENDER, WATER TEMPERATURE, VDO	1
NI	1940014	SENDER, OIL PRESSURE, VDO	1
NI	1972074	CABLE ASSY, 8 GA. STARTER RELAY	1
NI	1972082	CABLE ASSY, 8 GA. STARTER SOL	1
NI	1008127	ADAPTER ASSY, AIR COMPRESSOR INLET	1
NI	1743855	ISOLATOR, MOTOR MOUNT	2
NI	1801869	SHIELD, HEAT, ENGINE BLOCK	1
NI	1957265	MOUNT ASSY, FLYWHEEL HOUSING	1
NI	1866862	BRACKET ASSY, MTG, ENG/TRANS	2
NI	1875491	SPACER, 3.25 OD X 2.00 ID X .116 THICK	2
NI	1895069	ISOLATOR, MOTOR MOUNT, FRONT	2
NI	1957273	MOUNT ASSY, FLYWHEEL HOUSING	
NI		ALTERNATOR (CONTACT YOUR DETROIT DIESEL DEALER)	1
NI	1743962	VOLTAGE REGULATOR	1
NI	0002125	BELT, ALTERNATOR	1
NI	1799303	BELT DRIVE	1
NI	1972017	BELT, AIR CONDITIONER	1

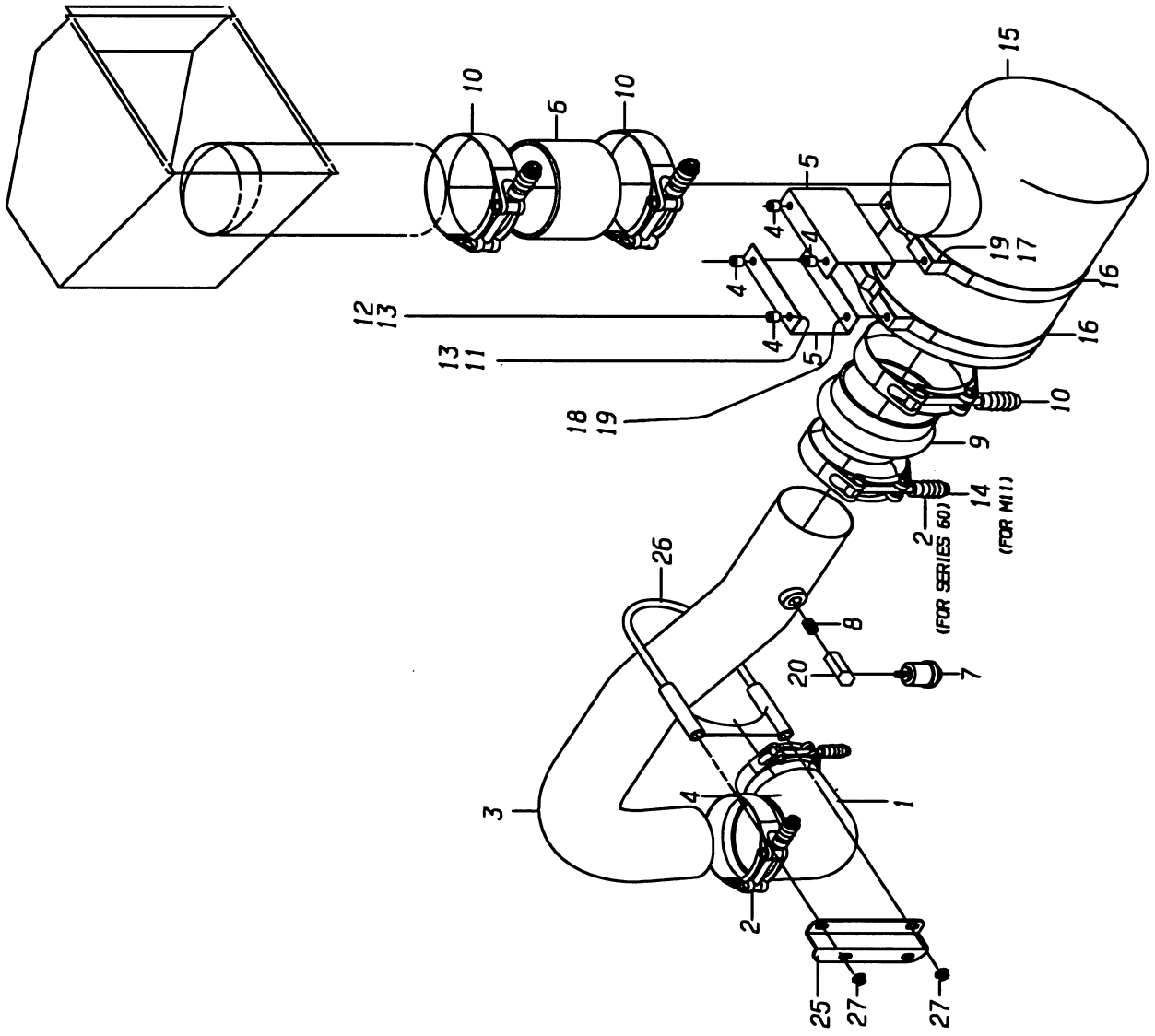
Q4RE

Notes

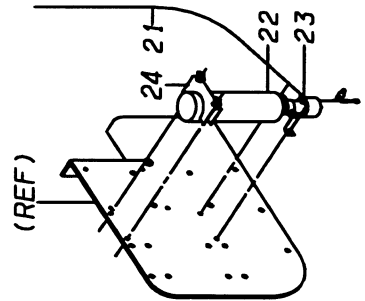


DR. 1/29/99 BY NM	1985431	E
APP. 1/29/99 BY AB	FRT	REV

© HILTI BOND BODY COMPANY, ALL RIGHTS RESERVED



40190-02(1500 HP SERIES 60)

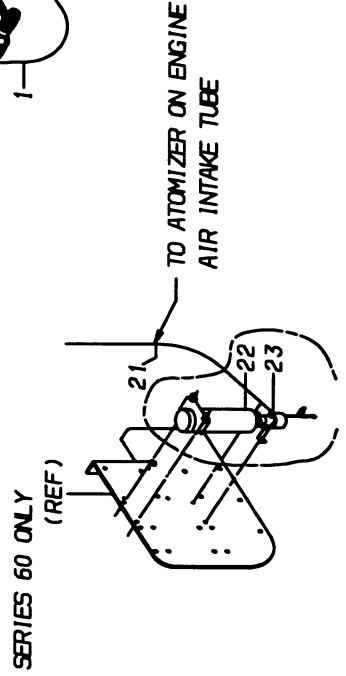
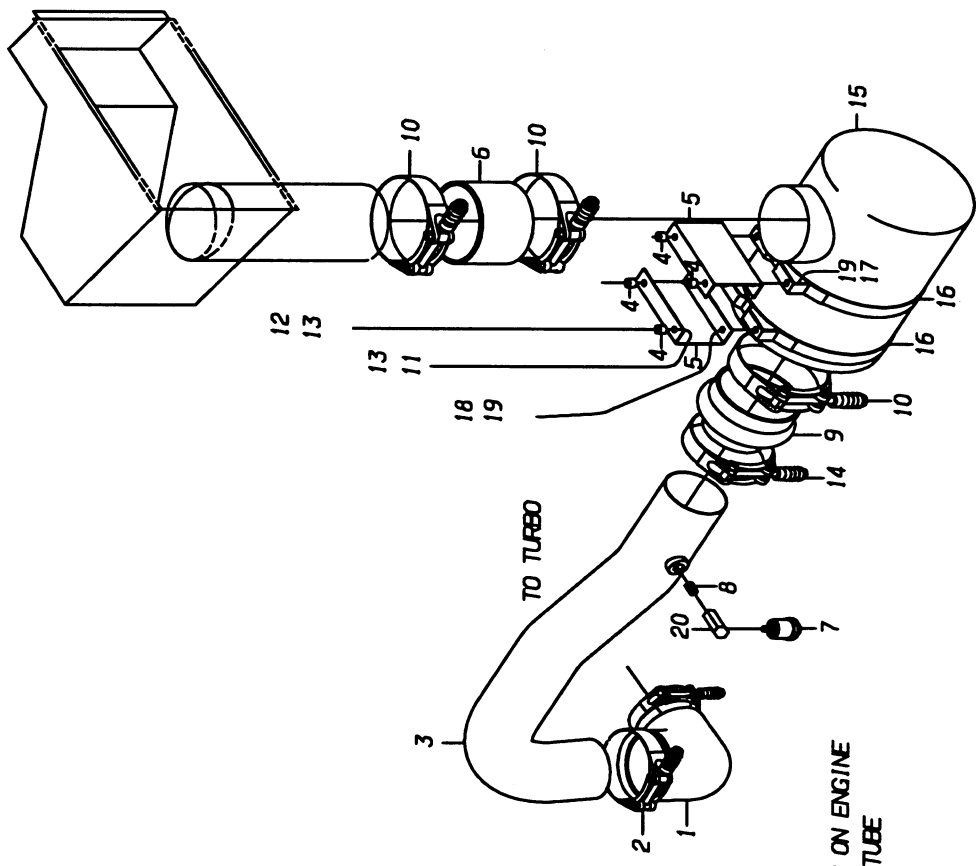


AIR INTAKE
CUMMINS M-11 FEATURE 40188-01 40189-01

<u>KEY</u>	<u>PART NO</u>	<u>DESCRIPTION</u>	<u>QTY</u>
1	1789262	ELBOW, RUBBER, 6.00 ID X 5.00 ID 90 DEG S/R	
2	1856038	CLAMP, SPRING LOADED, 6.50 ID	
3	1951003	PIPE, AIR INTAKE, TURBO TO AIR CLNR	1
4	1515899	SPACER, .51 ID X .75 OD X .62 LONG	4
5	0016261	BRACKET ,MTG, AIR CLNR TO DAVENPORT	2
6	0002093	HOSE, RUBBER, STRAIGHT ,7 IN ID, 3.25 IN LONG	1
7	1977255	INDICATOR, AIR RESTRICTION, 25 IN	1
8	2009298	NIPPLE, BRASS, 1/8 CLOSE 3326 X 2	1
9	0993808	HOSE, HUMP, RUBBER,7 TO 5 1/2	1
10	1421965	CLAMP, SPRING LOADED, 7.50 ID	3
11	0850800	NUT, HEX HD, 1/2 -13	8
12	0803239	CAPSCREW	4
13	0850776	WASHER, FLAT	8
14	1421973	CLAMP, SPRING LOADED, 6.00 ID	1
15	1895044	AIR CLEANER ASSY	1
16	1570407	CLAMP, MTG, AIR CLEANER	2
17	0559195	CAPSCREW, HEX HD, 3/8-16X1	4
18	0826297	NUT, HEX HD, 3/8-16	4
19	1107085	WASHER, FLAT, 13/32	8
20	1990696	FITTING 90 DEG	1
25	1885029	BRACKET, MOUNTING CLAMP (FEATURE 40190-01 ONLY)	1
26	1569326	U-BOLT ASSY, 6 IN (FEATURE 40190-01 ONLY)	1
27	0543934	NUT, HEX HD. 3/8-16 (FEATURE 40190-01 ONLY)	2

Q4RE

DR. 1/9/98	BY NJ	1985431	REV
APP. 1/9/98	BY AB	PTL	
© BLUE STAR BODY COMPANY, ALL RIGHTS RESERVED			



**AIR INTAKE
DD SERIES 60 FEATURE 40190-01**

<u>KEY</u>	<u>PART NO</u>	<u>DESCRIPTION</u>	<u>QTY</u>
1	1789262	ELBOW RUBBER, 6.00 ID X 5.00 ID 90 DEG S/R	1
2	1856038	CLAMP, SPRING LOADED, 6.00 ID	4
3	1867605	PIPE, AIR INTAKE, TURBO TO AIR CLEANER WLWB	2
4	1515899	SPACER	1
5	0016261	BRACKET, MTG. AIR CLEANER	1
6	0002093	HOSE, RUBBER, STRAIGHT, 7 IN ID, 3.25 IN LONG	1
7	1990670	INDICATOR, SERVICE, AIR CLEANER	1
8	2009298	NIPPLE, PIPE, 1/8 CLOSE, GALV PIPE	1
9	1843531	HOSE, HUMP, REDUCER, 7.00 TO 6.00	1
10	1421965	CLAMP, SPRING LOADED, 7.50 ID	3
11	0850800	NUT HEX	4
12	0803239	CAPSRCEW	4
13	0850776	WASHER, FLAT	8
14		CLAMP (SEE KEY # 2)	1
15	1895044	AIR CLEANER ASSY ,ECO-SM	1
16	1570407	CLAMP, MTG, AIR CLEANER	2
17	0559175	CAPSCREW, HEX HD	4
18	0826297	NUT, HEX HD, 3/8-16, ZINC, LG FLG LK	4
19	1007085	WASHER	8
20	1990696	FITTING, 90 DEG.	1
25	1885029	BRACKET, MTG, CLAMP	1
26	1569326	U-BOLT ASSY., 6"	1
27	0543934	NUT, HEX HD 3/8-16	2

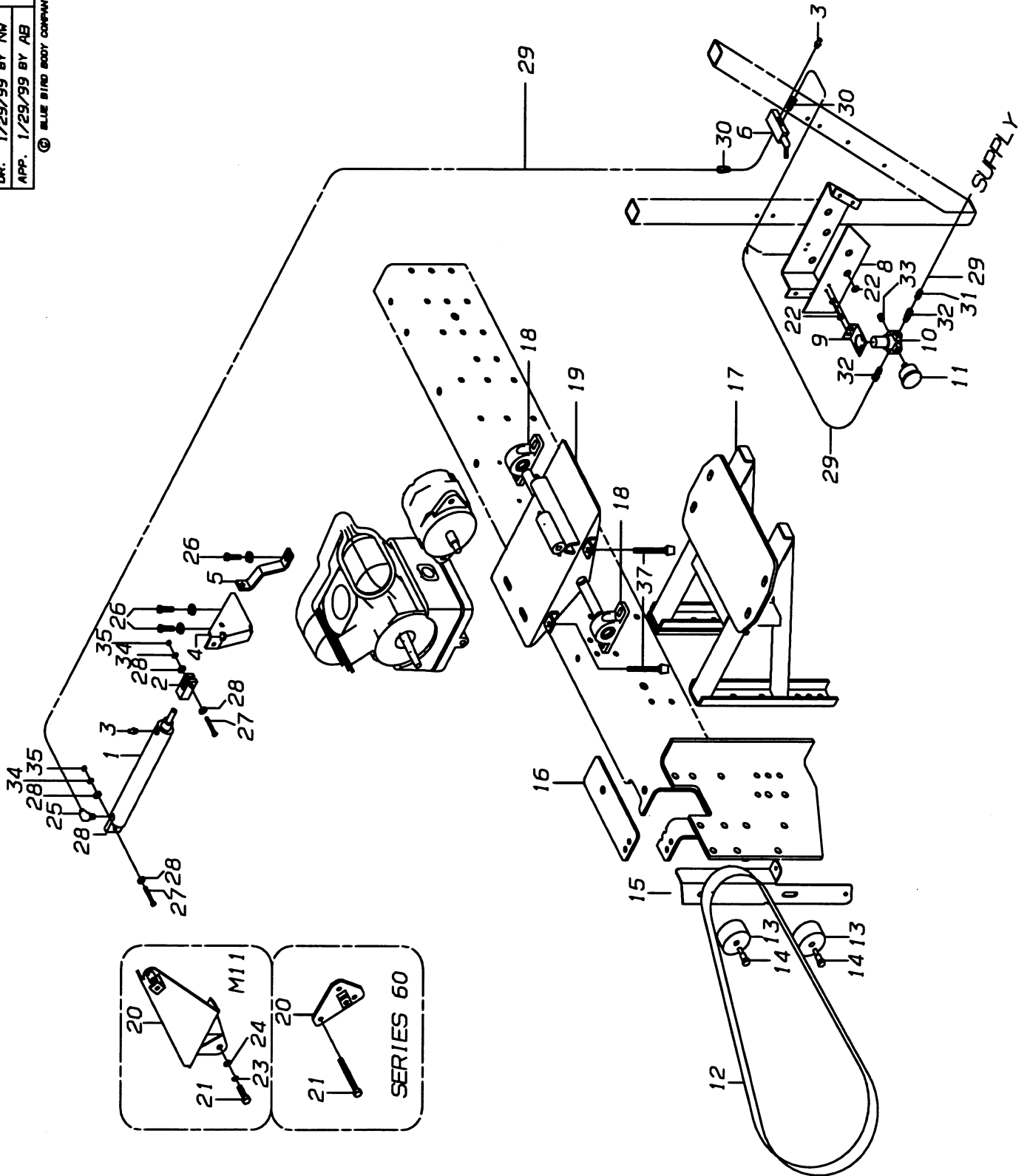
Q4RE



BLUE BIRD

DR. 1/29/99 BY NW	0016295	D
APP. 1/29/99 BY AB	FRT	REV

© BLUE BIRD BODY COMPANY. ALL RIGHTS RESERVED.



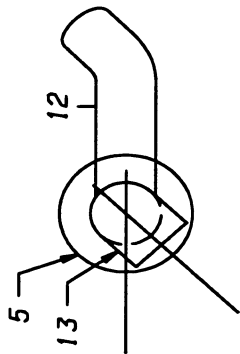
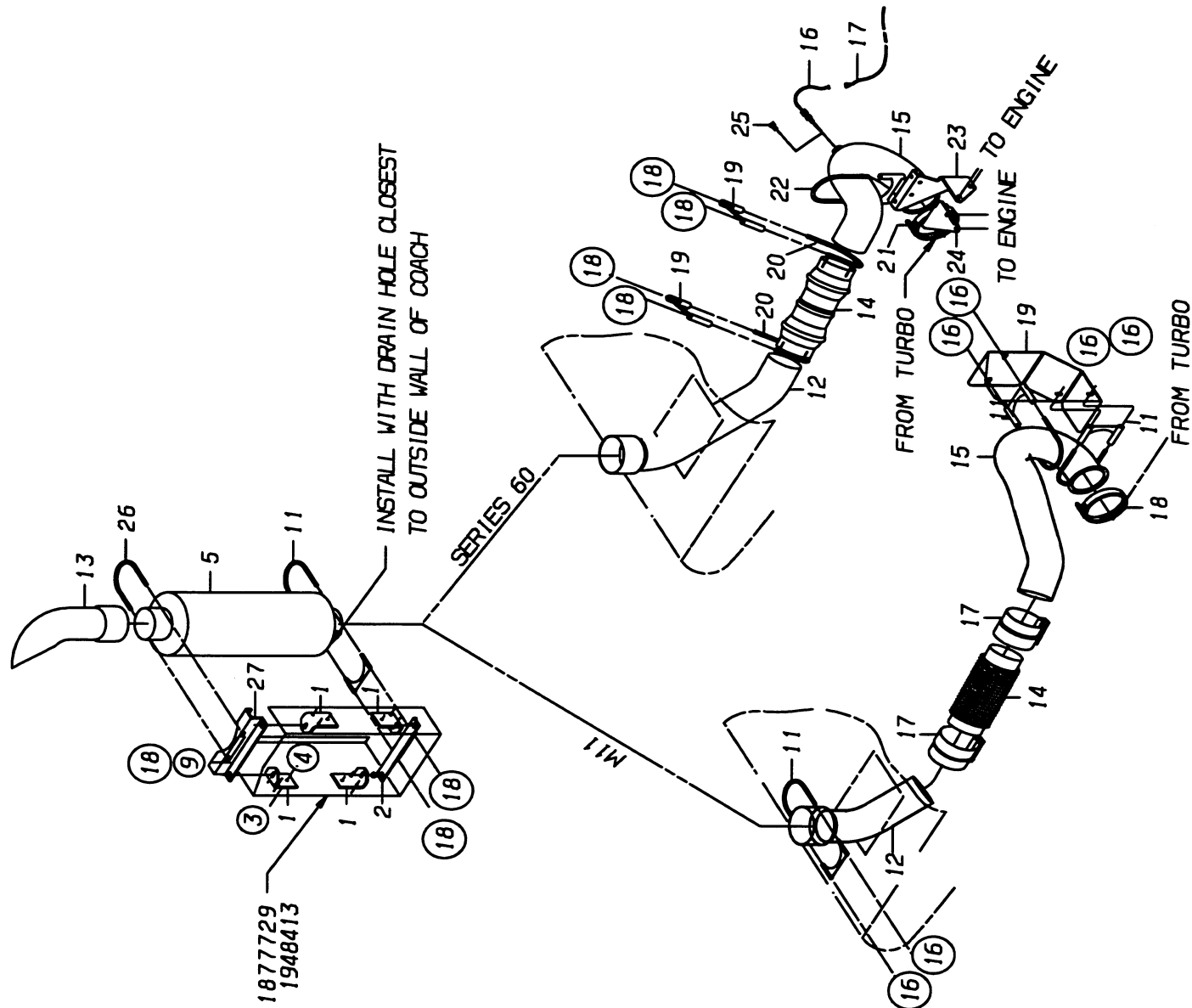
*** AIR CONDITIONER MOUNTING
FEATURE 38102-01 W/40189 CUMMINS M11
OR W/40190 DD SERIES 60**

<u>KEY</u>	<u>PART NO</u>	<u>DESCRIPTION</u>	<u>QTY</u>
1	0016170	CYLINDER, AIR, 1.50 BORE X 8.50 STROKE	1
2	0016188	CLEVIS, ROD	1
3	0016162	MUFFLER, AIR PRESSURE EXHAUST, 1/8 PORT	1
4	0015768	BRACKET, MTG, CYLINDER TO COMPRESSOR	1
5	0015693	BRACE, MTG, CYLINDER TO COMPRESSOR	1
6	0016154	VALVE, TOGGLE, 2-POSITION, 3-WAY, 3-POST	1
7	0015776	BRACKET, MTG, BELT TENSION CONTROL	1
8	0016279	PLATE, A/C COMP BELT TENSION CTRL PANEL	1
9	0016139	BRACKET, MTG, REGULATOR	1
10	0016121	REGULATOR, AIR, 0-125 PSI	1
11	0016147	GAUGE, AIR PRESSURE, 0-100 PSI, 1/4 CONNECTION	1
12	1799303	BELT	1
13	1969468	PULLEY, IDLER	2
14		BOLT, SHOULDER	
	1969476	(FEATURE 40189) CUMMINS M11	2
	0002288	(FEATURE 40190) DD SERIES 60	2
15	0015784	BRACKET, MTG, DLER PULLEYS	1
16	0016287	PLATE, REINFORCEMENT, SUBFRAME, LOWER, RH	1
17	0015842	SUPPORT ASSY, MTG, THERMOKING TO FRAME	1
18	0016196	PILLOW BLOCK	2
19	0015735	BASE ASSY, PIVOT, MTG, CMPR,	1
20		BRACKET ASSY, MTG, CYLINDER TO ENG	
	0015610	(FEATURE 40189) CUMMINS M11	1
	0015750	(FEATURE 40190) DD SERIES 60	1
21		CAPSCREW, HX HD, M12-1.75X35	
	1132034	(FEATURE 40189) CUMMINS M11	3
		(FEATURE 40190) DD SERIES 60 (SUPPLIED W/ ENGINE)	
22	2003218	GROMMET, RUBBER	2
23	2001212	LOCKWASHER, SPLIT RING, 1/2	3
24	1134097	WASHER, FLAT, 15/32 X 1 1/8 X 5/64	3
25	1536879	ELBOW, 90 DEG, SWIVEL, Q/D, 1/8 MPT X 1/4 TUBE	1
26	0803171	CAPSCREW, HEXHD, 3/8-16NCX1-1/2, GR8	3
27	1092337	CAPSCREW, HEX HD, 1/4-20 X 2, GR 5	2
28	2001121	WASHER, FLAT, 5/16 X 3/4 X 5/64	4
29	0654962	TUBING, PLASTIC, 1/4 OD, BLACK	3
30	1344829	CONNECTOR, MALE, 1468X4	2
31	1448091	VALVE, CHECK, 1/4 X 1/4 MALE PT	1
32	1414382	CONNECTOR, MALE, 1468X4X4-Z, .25 MP X .25T	2
33	2023513	PLUG, PIPE, 1/4	1
34	2001170	LOCKWASHER, SPLIT RING, 1/4	2
35	2001329	NUT, HEX HD, 1/4-20	2
36	1494160	RIVET, .12, CHERRY	4
37	0004522	ADJUSTMENT, SPINDLE 3/8-16 X 5 3/4	2

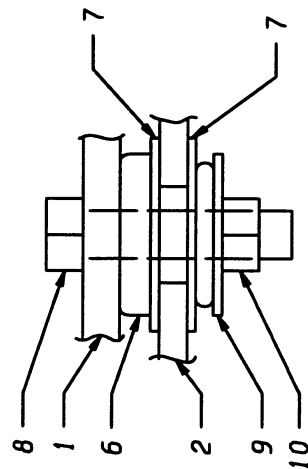
*** NOTE : CONTACT YOUR LOCAL THERMOKING DEALER FOR A/C SERVICE PARTS.**

Q4RE

DR. 1/4/99	BY MW	1995141	E
APP. 1/4/99	BY MT	FRT.	REV
© BLUE BIRD BODY COMPANY. ALL RIGHTS RESERVED			



REAR OF COACH
EXHAUST INDEXING DETAIL
VIEWED FROM TOP OF COACH

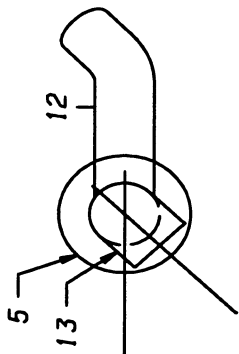
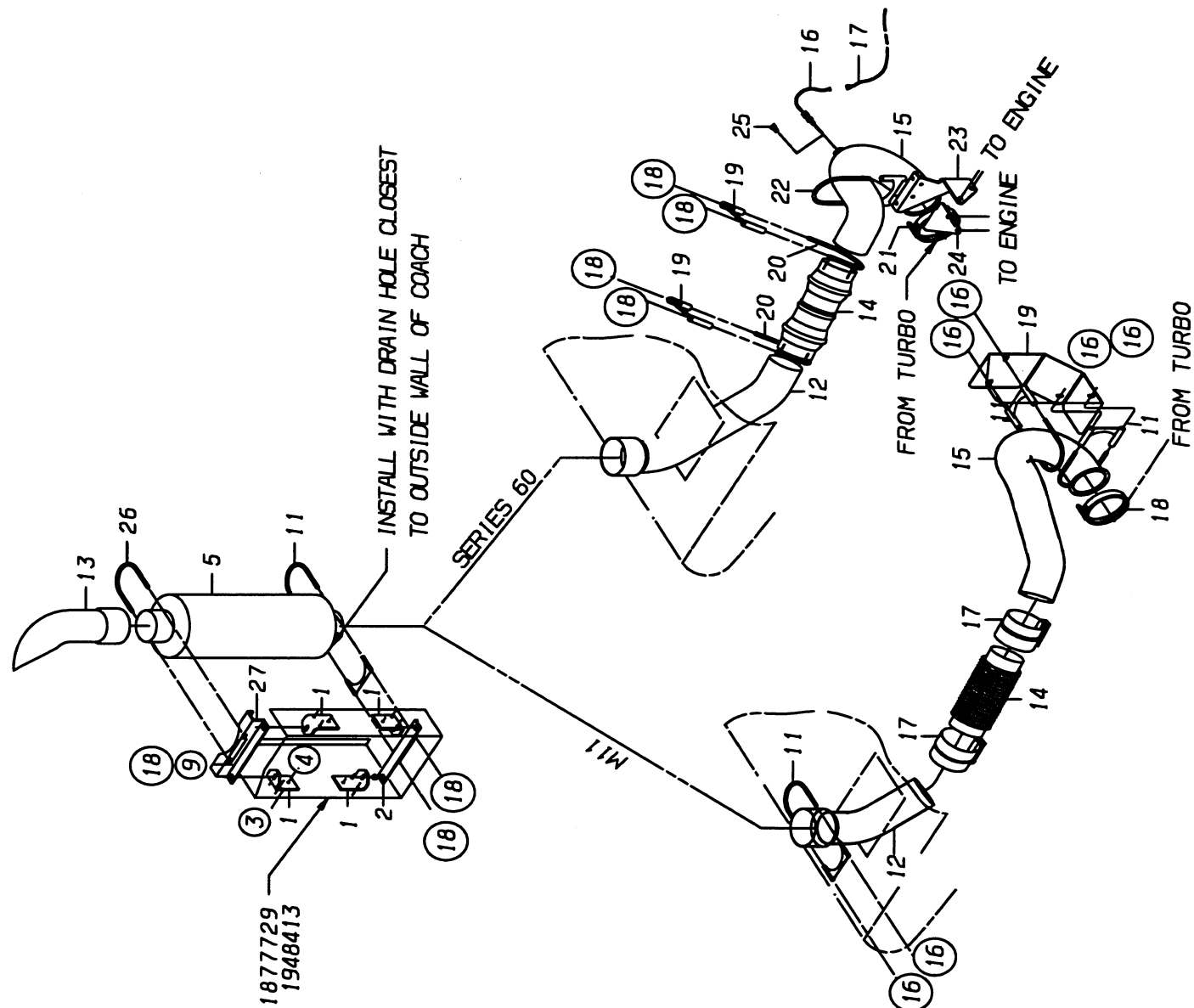


**EXHAUST SYSTEM, ROOF EXIT, CUMMINS M11
FEATURE 40189-01**

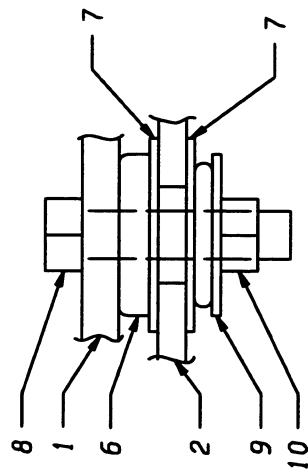
<u>KEY</u>	<u>PART NO</u>	<u>DESCRIPTION</u>	<u>QTY</u>
1	1436138	BRACKET, MUFFLER SUPPORT, ROOF EXIT EXH	4
2	1569334	ANGLE, MUFFLER SUPPORT, 6 IN EXH, ROOF EX	2
3	2001394	RIVNUT, NC, 1/4	12
4	1044650	CAPSCREW, HEX, FLANGE 1/4-20X7/8 STAINLESS W/PT.	12
5	0005859	MUFFLER, 6 IN INLET/OUTLET	1
6	1327428	ISOLATOR, RUBBER	4
7	0958504	WASHER, FLAT, 1 1/2 X 3/4 1/16 THK, NYLON	8
8	2028363	BOLT, HEX 3/8-16 X 1 1/4, GR 5, PHOS & OIL	4
9	1328632	WASHER, FLAT, .06 X .406 ID X 1.125 OD	4
10	0839027	NUT, HEX HD, 3/8-16, GR G	4
11	1569326	U-BOLT ASSY, 6 IN	5
12	1950997	PIPE, EXHAUST, FLEXPIPE TO MUFFLER, M11	1
13		TAILPIPE, EXHAUST, 6.00 O.D., CHR	1
	1576651	(ENDING W/CSN F10020364)	
	0002635	(BEGINNING W/CSN F10020365)	
14	1947845	CONNECTOR, FLEXIBLE EXHAUST, SS, 5.0ID-ID18" LG	1
15	1947092	PIPE, EXHAUST, TURBO TO FLEX PIPE, M11	1
16	0543934	NUT, HEX HD, 3/8-16	10
17	1250851	CLAMP, EXHAUST, WIDE BAND, 5 IN	2
18	1735976	CLAMP, V-BAND, 5 INCH	1
19	1960269	SHIELD, HEAT, EXHAUST PIPE, M11	1
26	0006534	U-BOLT 6.5IN. ZINC PLATED (BEGINNING W/CSN F10020365)	1
27	0006431	ANGLE, MUFFLER SUPPORT UPPER ROOF EXIT (BEG W/CSN F10020365)	1

Q4RE

DR. 1/4/99 BY NM	1995141	E
APP. 1/4/99 BY MT CRT		REV
© BLUE BIRD BODY COMPANY. ALL RIGHTS RESERVED		



REAR OF COACH
EXHAUST INDEXING DETAIL
VIEWED FROM TOP OF COACH



**EXHAUST SYSTEM, ROOF EXIT, DD SERIES 60
FEATURE 40190-01**

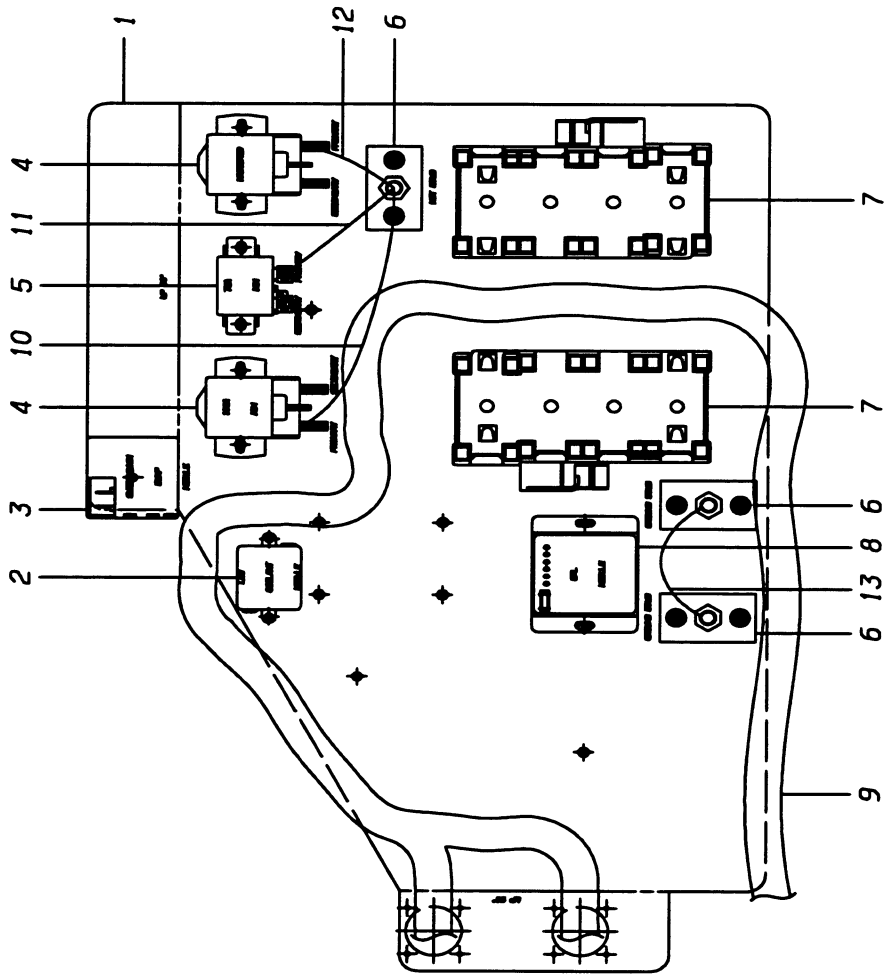
<u>KEY</u>	<u>PART NO</u>	<u>DESCRIPTION</u>	<u>QTY</u>
1	1436138	BRACKET, MUFFLER SUPPORT, ROOF EXIT EXH	4
2	1569334	ANGLE, MUFFLER SUPPORT, 6 IN EXH, ROOF EX	2
3	2001394	RIVNUT, NC, 1/4	12
4	1044650	CAPSCREW ,HEX, FLANGE 1/4-20X7/8 STAINLESS W/PT.	12
5	0005859	MUFFLER, 6 IN INLET/OUTLET	1
6	1327428	ISOLATOR, RUBBER, LORD CB-1120-3	4
7	0958504	WASHER, FLAT, 1 1/2 X 3/4 1/16 THK, NYLON	8
8	2028363	BOLT, HEX 3/8-16X1 1/4, GR 5, PHOS & OIL	4
9	1328632	WASHER, FLAT, .06 X .406 ID X 1.125 OD	8
10	0839027	NUT ,HEX HD, 3/8-16, GR G	4
11	1569326	U-BOLT ASSY, 6 IN	2
12	0010819	PIPE, EXHAUST, FLEXPipe TO MUFFLER	1
13	0002635	TAILPIPE, EXHAUST, 6.00 O.D., CHR,13" LG	1
14	1954825	CONNECTOR, FLEXIBLE, EXHAUST, 5 INCH ID, DOUBLE BALL JOINT	1
15	1867498	PIPE, EXHAUST, TURBO TO FLEXPipe	1
18	0543934	NUT, HEX HD, 3/8-16	8
19	1660844	SADDLE, 5.00 IN	2
20	1660836	U-BOLT, 5.00 IN	2
21	1735976	CLAMP, V-BAND, 5 INCH	1
22	0993915	CLAMP, EXHAUST PIPE, 5 IN	1
23	1964816	BRACKET, EXHAUST SUPPORT	1
24	1964824	BRACKET, SUPT, TURBO PIPE BRACE	1
25	2023513	PLUG, PIPE 1/4	1
26	0006534	U-BOLT, 6.5 IN	1
27	0006431	ANGLE, MUFFLER SUPPORT UPPER ROOF EXIT	1

Q4RE

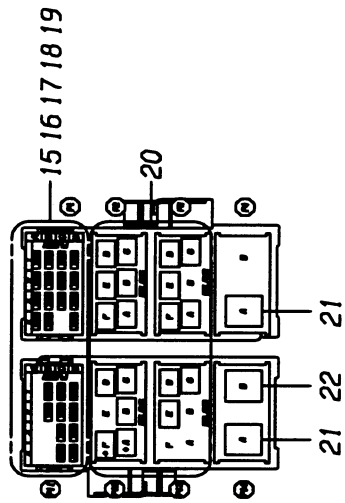


DR. 1/23/99	BY J.L.	---	0002378	A
APP. 1/23/99	BY AB	FRT		REV

© BLUE BIRD BODY COMPANY. ALL RIGHTS RESERVED



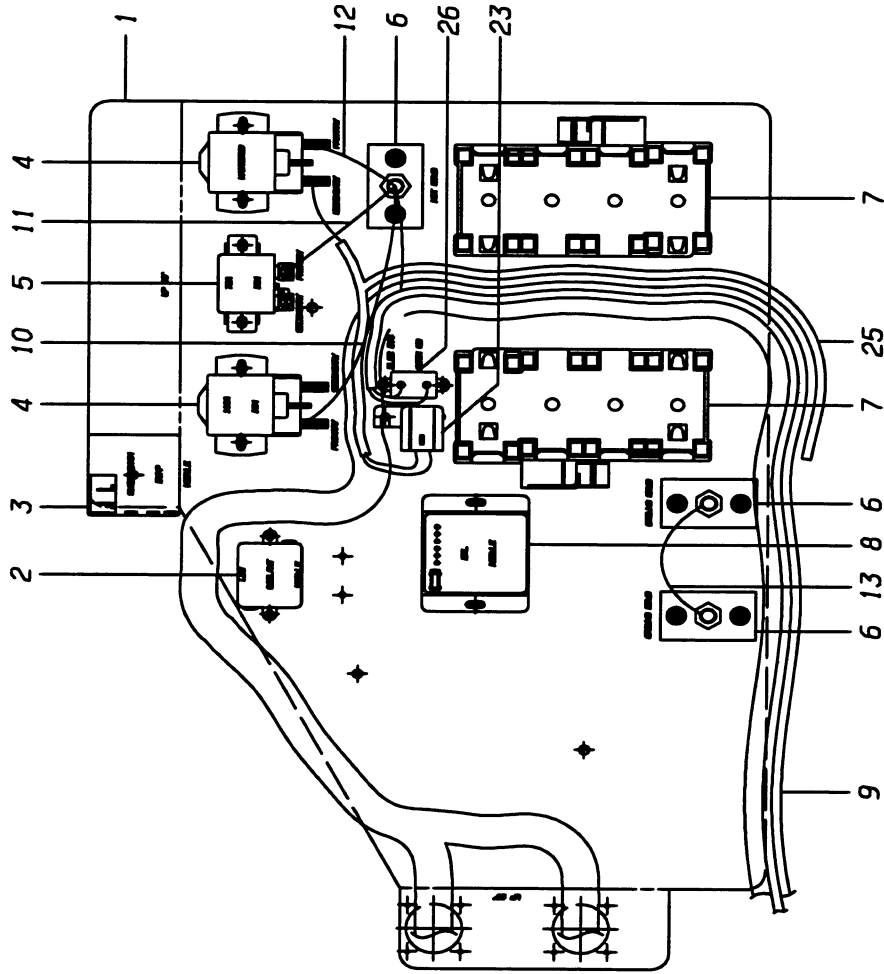
DETAIL A



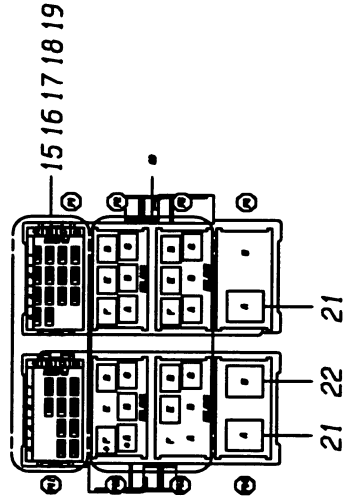
**ELECTRICAL PANEL ASSY., FRONT, O/S ACCESS
FEATURE 40189-01, CUMMINS M11
(ENDING W/ CSN 10016909)**

<u>KEY</u>	<u>PART NO</u>	<u>DESCRIPTION</u>	<u>QTY</u>
1	1953371	PANEL, ELECTRICAL, O/S ACCESS, FRONT	
2	1450956	MODULE, LOW COOLANT WARNING	
NI	1334689	SCREW, 10-32 x 3/8, F, PH1, PAN HEAD	2
3	1320340	RELAY, TIME DELAY, 60 SECOND	
NI	2000073	SCREW, 1/4-20 x 1, HEX HEAD	
4	0932012	SOLENOID, 100-AMP	2
NI	0659979	NUT, HEX, FLANGE SER, 1/4-20	4
NI	2000784	SCREW, MACH, 1/4-20 x 1/2, PH1, TRUSS HEAD	4
5	1197136	SOLENOID, 75-AMP, BOSCH	
NI	1268119	SCREW, 1/4-20 x 1/2, PH1, PAN HEAD	2
6	0553131	TERMINAL, BATTERY CABLE, JUNCTION, NO. 10148	3
NI	2000826	SCREW, MACH, 1/4-20 x 3/4, PH1, TRUSS HEAD	6
NI	0659979	NUT, HEX, FLANGE SER, 1/4-20	6
NI	2001451	NUT, HEX HEAD, 3/8-16	3
7	1953165	BASE, MTG, RELAY/FUSE BLK, 4 POSITION RCDA	2
8	4617627	MODULE, DAYTIME RUNNING LAMP	
NI	1334689	SCREW, 10-32 x 3/8, F, PH1, PAN HEAD	2
9		HARNES, WIRING, ELECTRICAL PANEL, O/S ACCESS, FRONT	
	1981455	(ENDING W/ CSN 10003289)	
	0002287	(FROM CSN 10003290 TO CSN 10016909)	
NI	1563816	SCREW, 6-32 x 3/8, F, PH1, OVAL COUNTERSINK	8
10	1960756	CABLE ASSY., 100A SOLENOID	
11	1960764	CABLE ASSY., 75A SOLENOID	
12	1960772	CABLE ASSY., MASTER SOLENOID	
13	1985183	CABLE ASSY., GROUND	
NI	1653948	TIE, CABLE, NYLON, PUSHMOUNT	
15	1953231	FUSE, MINI, 30 AMP	2
16	1953199	FUSE, MINI, 25 AMP	4
17	1953215	FUSE, MINI, 20 AMP	
18	1953223	FUSE, MINI, 15 AMP	8
19	1953207	FUSE, MINI, 10 AMP	12
20	1746387	RELAY, MICRO	19
21	1859017	RELAY	2
22	1868025	FLASHER, TURN/HAZARD WARNING	

Q4RE



DETAIL A

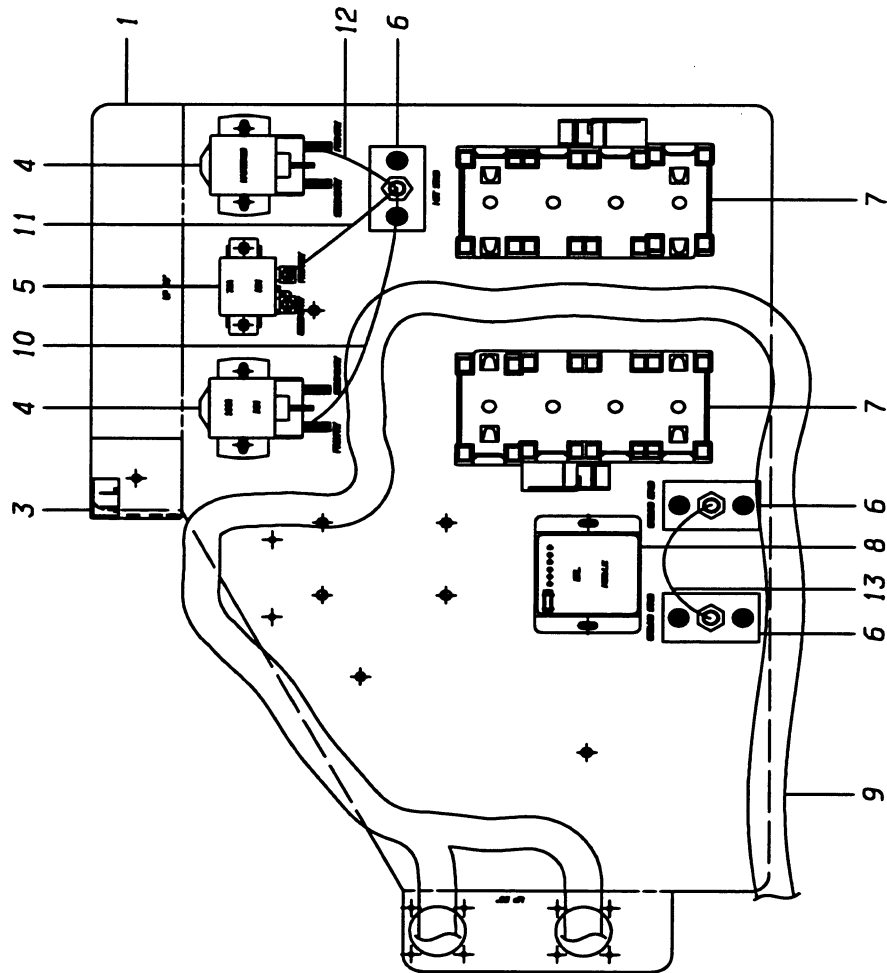


**ELECTRICAL PANEL ASSY., FRONT, O/S ACCESS
FEATURE 40189-01, CUMMINS M11
(BEGINNING W/ CSN 10016910)**

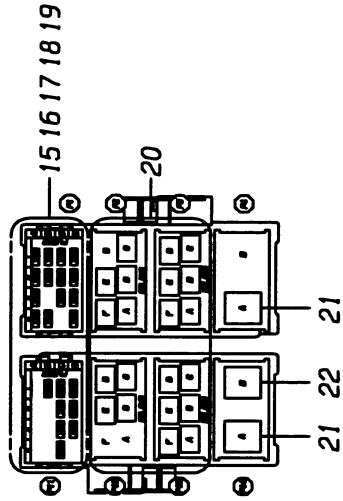
<u>KEY</u>	<u>PART NO</u>	<u>DESCRIPTION</u>	<u>QTY</u>
1	1953371	PANEL, ELECTRICAL, O/S ACCESS, FRONT	
2	1450956	MODULE, LOW COOLANT WARNING	
NI	1334689	SCREW, 10-32 x 3/8, F, PH1, PAN HEAD	2
3		NOT APPLICABLE	
4	0932012	SOLENOID, 100-AMP	2
NI	0659979	NUT, HEX, FLANGE SER, 1/4-20	4
NI	2000784	SCREW, MACH, 1/4-20 x 1/2, PH1, TRUSS HEAD	4
5	1197136	SOLENOID, 75-AMP, BOSCH	
NI	1268119	SCREW, 1/4-20 x 1/2, PH1, PAN HEAD	2
6	0553131	TERMINAL, BATTERY CABLE, JUNCTION, NO 10148	3
NI	2000826	SCREW, MACH, 1/4-20 x 3/4, PH1, TRUSS HEAD	6
NI	0659979	NUT, HEX, FLANGE SER, 1/4-20	6
NI	2001451	NUT, HEX HEAD, 3/8-16	3
7	1953165	BASE, MTG, RELAY/FUSE BLK, 4 POSITION	2
8	4617627	MODULE, DAYTIME RUNNING, LAMP	
NI	1334689	SCREW, 10-32 x 3/8, F, PH1, PAN HEAD	2
9	0002287	HARNES, WIRING, ELECTRICAL PANEL, O/S ACCESS, FRONT, M11	
NI	1563816	SCREW, 6-32 x 3/8, F, PH1, OVAL COUNTERSINK	8
10	1960756	CABLE ASSY., 100A SOLENOID	
11	1960764	CABLE ASSY., 75A SOLENOID	
12	1960772	CABLE ASSY., MASTER SOLENOID	
13	1985183	CABLE ASSY., GROUND	
NI	1653948	TIE, CABLE, NYLON, PUSHMOUNT	
15	1953231	FUSE, MINI, 30 AMP	
16	1953199	FUSE, MINI, 25 AMP	4
17	1953215	FUSE, MINI, 20 AMP	
18	1953223	FUSE, MINI, 15 AMP	8
19	1953207	FUSE, MINI, 10 AMP	8
20	1746387	RELAY, MICRO	17
21	1868017	RELAY	2
22	1868025	FLASHER, TURN/HAZARD WARNING	
23	1891142	COVER, ATO FUSE, RED, 630 SERIES, M/P	
NI	1696756	FUSE, AUTO, 30 AMP	
25	0015933	HARNES, WIRING, LIGHTS, L/CMPT, ELEC PANEL	
26	1780543	BREAKER, CIRCUIT, 15A, HERMETIC SEAL, W/ MTG TABS	
27	0016063	HARNES, WIRING, ELECTRICAL SERVICE DOOR	
NI	1922269	DECAL, FRONT ELECTRICAL PANEL, O/S ACCESS, CUMMINS M11	

Q4RE

DR. 1/23/99	BY J.L.	0002386	A
APP. 1/23/99	BY AB	FRT	REV
© BLUE BIRD BODY COMPANY, ALL RIGHTS RESERVED			



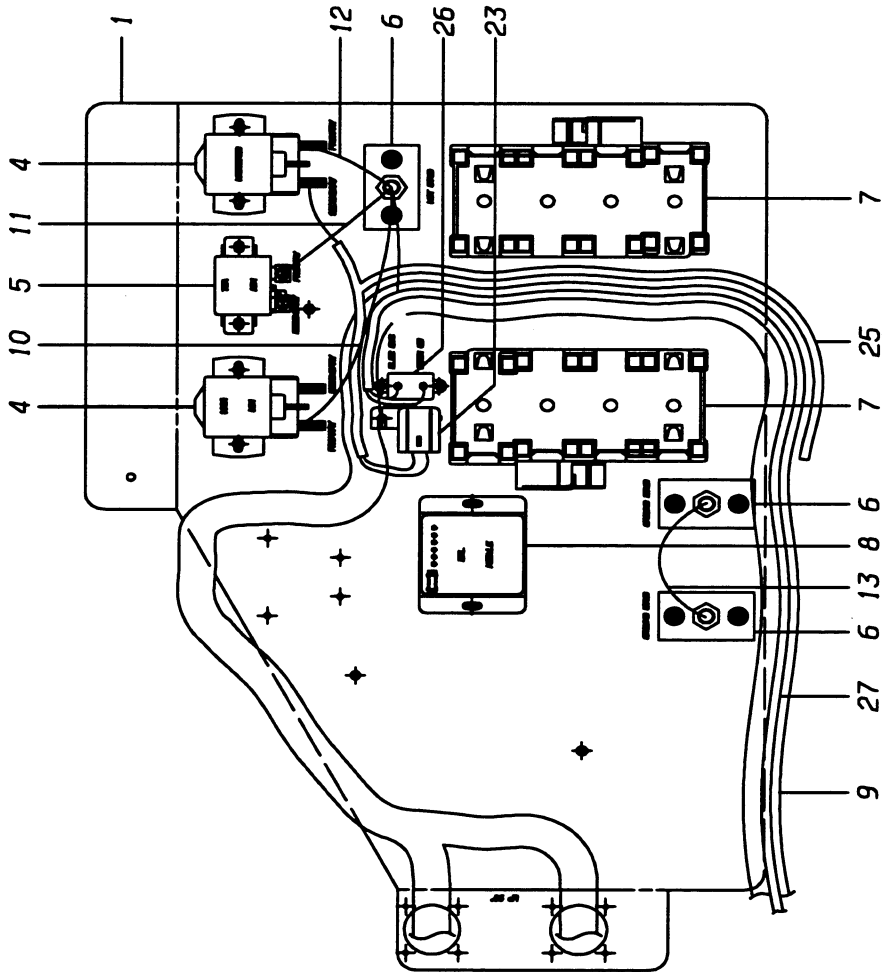
DETAIL A



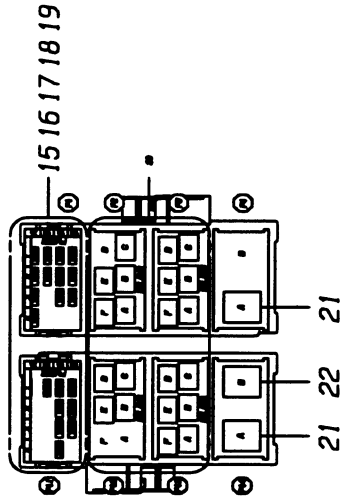
**ELECTRICAL PANEL ASSY., FRONT, O/S ACCESS
FEATURE 40190-01, DETROIT DIESEL
(ENDING W/ CSN 10016909)**

<u>KEY</u>	<u>PART NO</u>	<u>DESCRIPTION</u>	<u>QTY</u>
1	1953371	PANEL, ELECTRIC, O/S ACCESS, FRONT	
3	1320340	RELAY, TIME DELAY, 60 SECOND	
NI	2000073	SCREW, 1/4-20 x 1, D, HEX HEAD	
4	0932012	SOLENOID, 100-AMP	2
NI	0659979	NUT, HEX, FLANGE SER, 1/4-20	4
NI	2000784	SCREW, MACH, 1/4-20 x 1/2, PH1, TRUSS HEAD	4
5	1197136	SOLENOID, 75-AMP	
NI	1268119	SCREW, 1/4-20 x 1/2, PH1, PAN HEAD	2
6	0553131	TERMINAL, BATTERY CABLE, JUNCTION, NO. 10148	3
NI	2000826	SCREW, MACH, 1/4-20 x 3/4, PH1, TRUSS HEAD	6
NI	0659979	NUT, HEX, FLANGE SER, 1/4-20	6
NI	2001451	NUT, HEX HEAD, 3/8-16	3
7	1953165	BASE, MTG, RELAY/FUSE BLK , 4 POSITION	2
8	4617627	MODULE, DAYTIME RUNNING, LAMP	
NI	1334689	SCREW, 10-32 x 3/8, F, PH1, PAN HEAD	2
9		HARNES, WIRING, ELECTRICAL PANEL, O/S ACCESS, FRONT	
	1985050	(ENDING W/ CSN 10003289)	
	0002295	(FROM CSN 10003290 TO CSN 10016909)	
NI	1563816	SCREW, 6-32 x 3/8, F, PH1, OVAL COUNTERSINK	12
10	1960756	CABLE ASSY., 100A SOLENOID	
11	1960764	CABLE ASSY., 75A SOLENOID	
12	1960772	CABLE ASSY., MASTER SOLENOID	
13	1985183	CABLE ASSY., GROUND	
NI	1653948	TIE, CABLE, NYLON, PUSHMOUNT	
15	1953231	FUSE, MINI, 30 AMP	
16	1953199	FUSE, MINI, 25 AMP	
17	1953215	FUSE, MINI, 20 AMP	
18	1953223	FUSE, MINI, 15 AMP	
19	1953207	FUSE, MINI, 10 AMP	
20	1746387	RELAY, MICRO	
21	1868017	RELAY	
22	1868025	FLASHER, TURN/HAZARD WARNING	

Q4RE



DETAIL A



**ELECTRICAL PANEL ASSY., FRONT, O/S ACCESS
FEATURE 40190-01, DETROIT DIESEL
(BEGINNING W/ CSN 10016910)**

<u>KEY</u>	<u>PART NO</u>	<u>DESCRIPTION</u>	<u>QTY</u>
1	1953371	PANEL, ELECTRICAL, FRONT, O/S ACCESS	
4	0932012	SOLENOID, 100-AMP	2
NI	0659979	NUT, HEX, FLANGE SER, 1/4-20	4
NI	2000784	SCREW, MACH, 1/4-20 x 1/2, PH1, TRUSS HEAD	4
5	1197136	SOLENOID, 75-AMP, BOSCH	
NI	1268119	SCREW, 1/4-20 x 1/2, PH1, PAN HEAD	2
6	0553131	TERMINAL, BATTERY CABLE, JUNCTION, NO. 10148	3
NI	2000826	SCREW, MACH, 1/4-20 x 3/4, PH1, TRUSS HEAD	6
NI	0659979	NUT, HEX, FLANGE SER, 1/4-20	6
NI	2001451	NUT, HEX HD, 3/8-16	3
7	1953165	BASE, MTG, RELAY/FUSE BLK, 4 POSITION	2
8	4617627	MODULE, DAYTIME RUNNING, LAMP	
NI	1334689	SCREW, 10-32 x 3/8, F, PH1, PAN HEAD	2
9	0002295	HARNES, WIRING, ELECTRICAL PANEL, O/S ACCESS, FRONT	
NI	1563816	SCREW, 6-32 x 3/8, F, PH1, OVAL COUNTERSINK	12
10	1960756	CABLE ASSY., 100A SOLENOID	
11	1960764	CABLE ASSY., 75A SOLENOID	
12	1960772	CABLE ASSY., MASTER SOLENOID	
13	1985183	CABLE ASSY., GROUND	
NI	1653948	TIE, CABLE, NYLON, PUSHMOUNT	
15	1953231	FUSE, MINI, 30 AMP	
16	1953199	FUSE, MINI, 25 AMP	
17	1953215	FUSE, MINI, 20 AMP	
18	1953223	FUSE, MINI, 15 AMP	
19	1953207	FUSE, MINI, 10 AMP	
20	1746387	RELAY, MICRO	
21	1868017	RELAY	
22	1868025	FLASHER, TURN/HAZARD WARNING	
23	1891142	COVER, ATO FUSE, RED, 630 SERIES, M/P	
24	1696756	FUSE, AUTO, 30 AMP	
25	0015933	HARNES, WIRING, LIGHTS, L/CMPT, E/PNL	
26	1780543	BREAKER, CIRCUIT, 15A, HERMETIC SEAL, W/ MTG TABS	
27	0016063	HARNES, WIRING, ELEC SERVICE DOOR, E/PNL	
NI	0000009	DECAL, FRONT ELECTRICAL PANEL, O/S ACCESS, DETROIT DIESEL	

Q4RE

**ELECTRICAL COMMON PARTS
FEATURE 40189-01, CUMMINS M11**

<u>KEY</u>	<u>PART NO</u>	<u>DESCRIPTION</u>	<u>QTY</u>
NI	1954148	HARNESS, WIRING, BODY, HB2	
NI		HARNESS, WIRING, FRONT CAP	
	1954155	(ENDING W/ CSN 10003289)	
	0002311	(BEGINNING W/ CSN 10003290)	
NI	0527275	SCREW, 10-16 X 3/8, AB	2
NI	1167808	SCREW, 1/4-14 X 3/4, AB	2
NI	1277201	THERMOSTAT, HEAT, SENSOR	3
NI	1370048	LIGHT, STEPWELL, ENGINE COMPARTMENT	2
NI	1446509	BRACKET, MTG., ENGINE COMPARTMENT	2
NI	1446517	BRACKET, MTG., ENGINE COMPARTMENT, HEAT SENSOR	2
NI	1446525	HARNESS, WIRING, ENGINE COMPARTMENT	
NI	1589530	SCREW, 1/4-14 X 3/4, AB	12
NI	2000529	SCREW, 10-16 X 1/2, AB	6
NI	2258630	CLAMP, CABLE, NYLON	2
NI	3928017	SWITCH, MERCURY, METAL CASE	
NI		PANEL ASSY., ELEC, O/S ACS	
	1953363	(ENDING W/ CSN 10003289)	
	0002378	(FROM CSN 10003290 TO CSN 10016909)	
	0000880	(BEGINNING W/ CSN 10016910)	
NI	0563916	SCREW, 8-32 X 1/2, PH1, RD HD	6
NI	1960186	SCREW, 10 X 1/2, AB, PH1, FLAT	6
NI	2001162	LOCKWASHER, SPLIT RING	6
NI	2001253	NUT, HEX HEAD, 8-32	6
NI	2193456	SCREW, SM, PH, PN/HD, 10-24 X 3/8	8
NI	3840618	SCREW, SM, PH, OVAL HEAD	8
NI	3909082	LAMP, SHOCKMOUNT, 1203A-3	4
NI	1970938	CABLE ASSY., BATTERY NEGATIVE	
NI	1970946	CABLE ASSY., BATTERY, POSITIVE	
NI		HARNESS, WIRING, REAR CAP	
	1970953	(ENDING W/ CSN 10003289)	
	0005744	(BEGINNING W/ CSN 10003290)	
NI	1970979	LIGHT ASSEMBLY, CLEARANCE, RED	5
NI	0385484	BUSHING, NYLON	6
NI	1280601	LIGHT, CLEARANCE, AMBER	9
NI	1341700	LIGHT ASSEMBLY, PARKING, 570	2
NI	1518158	NUT, HEX HEAD, 1/4-28, LOCKING	4
NI	1619980	LIGHT ASSY., LICENSE PLATE	2
NI	1653948	TIE, CABLE, NYLON PUSH MOUNT	6
NI	1949510	HEADLAMP, RECTANGULAR, SINGLE	4
NI	2004521	SCREW, 10-16 X 5/8, OVAL	8
NI	3909090	SAFEGUARD CHROME	4

Q4RE

**ELECTRICAL COMMON PARTS
FEATURE 40189-01, CUMMINS M11**

<u>KEY</u>	<u>PART NO</u>	<u>DESCRIPTION</u>	<u>QTY</u>
NI	6044929	LIGHT, FLOOD, HALOGEN, RAY-LINE	2
NI	6047229	SCREW, MACH, FLAT HEAD, 10-32 X 3	8
NI	6073613	PLATE ASSY., MOUNTING, DOCKING LIGHT	2
NI	6074280	TAIL LIGHT, HELLA, TURN	2
NI	6074298	TAIL LIGHT, HELLA, BACKUP	2
NI	6074306	GASKET, TAIL LIGHT, HELLA	4
NI	1960350	LABEL SET, SIDE DIR	1
NI	1960368	LABEL SET, LANDING LIGHT	1
NI	1218486	TUBING, HEAT SHRINK, SEALING	4
NI	1073311	NUT, PANEL, HEX HEAD, 1/2-20	2
NI	1124411	SWITCH, ADJUSTABLE, DPST	1
NI	1147974	TERMINAL BLOCK, MODULAR	5
NI	1334689	SCREW, 10-32 X 3/8	4
NI	1356435	SCREW, 8-32 X 1/4	10
NI	1861806	SWITCH, KEYED, ELECTRIC O/O DOOR	1
NI	2004604	BOOT, RUBBER, IGNITION SWITCH	1
NI	3758455	SCREW, SM, PH, ROUND HEAD	16
NI	3959079	LIGHT, DRIVING, HELLA, CLEAR	2
NI	6046049	BREAKER, 15 AMP, MANUAL RESET	1
NI	0984922	TERMINAL, SPADE, NO. 10, 14-16 GAUGE	14
NI	1048479	END, STOP TERMINAL BLOCK	2
NI	1048495	TRACK, TERMINAL	AR

Q4RE

**ELECTRICAL COMMON PARTS
FEATURE 40190-01, DETROIT DIESEL**

<u>KEY</u>	<u>PART NO</u>	<u>DESCRIPTION</u>	<u>QTY</u>
NI	1954148	HARNESS, WIRING, BODY, HB2	
NI		HARNESS, WIRING, FRONT CAP	
	1954155	(ENDING W/ CSN 10003289)	
	0002311	(BEGINNING W/ CSN 10003290)	
NI	0527275	SCREW, 10-16 X 3/8, AB	2
NI	1167808	SCREW, 1/4-14 X 3/4, AB	2
NI	1277201	THERMOSTAT, HEAT, SENSOR	3
NI	1370048	LIGHT, STEPWELL, ENGINE COMPARTMENT	2
NI	1446509	BRACKET, MTG., ENGINE COMPARTMENT	2
NI	1446517	BRACKET, MTG., ENGINE COMPARTMENT, HEAT SENSOR	2
NI	1446525	HARNESS, WIRING, ENGINE COMPARTMENT	
NI	1589530	SCREW, 1/4-14 X 3/4, AB	12
NI	2000529	SCREW, 10-16 X 1/2, AB	6
NI	2258630	CLAMP, CABLE, NYLON	2
NI	3928017	SWITCH, MERCURY, METAL CASE	
NI		PANEL ASSY., ELEC, O/S ACS, FRONT	
	1968999	(ENDING W/ CSN 10003289)	
	0002386	(FROM CSN 10003290 TO CSN 10016909)	
	0003719	(BEGINNING W/ CSN 10016910)	
NI	0563916	SCREW, 8-32 X 1/2, PH1, RD HD	6
NI	1960186	SCREW, 10 X 1/2, AB, PH1, FLAT	6
NI	2001162	LOCKWASHER, SPLIT RING	6
NI	2001253	NUT, HEX HEAD, 8-32	6
NI	2193456	SCREW, SM, PH, PN/HD, 10-24 X 3/8	8
NI	3809639	SEALANT, SIKAFLEX 221	AR
NI	3840618	SCREW, SM, PH, OVAL HEAD	8
NI	3909082	LAMP, SHOCKMOUNT, 1203A-3	4
NI	1970938	CABLE ASSY., BATTERY NEGATIVE	
NI	1970946	CABLE ASSY., BATTERY, POSITIVE	
NI		HARNESS, WIRING, REAR CAP	
	1970953	(ENDING W/ CSN 10003289)	
	0005744	(BEGINNING W/ CSN 10003290)	
NI	1970979	LIGHT ASSY., CLEARANCE, RED	5
NI	0385484	BUSHING, NYLON	6
NI	1280601	LIGHT, CLEARANCE, AMBER	9
NI	1341700	LIGHT ASSY., PARKING, 570	2
NI	1518158	NUT, HEX HEAD, 1/4-28, LOCKING	4
NI	1619980	LIGHT ASSY., LICENSE PLATE	2
NI	1949510	HEADLAMP, RECTANGULAR, SINGLE	4
NI	2004521	SCREW, 10-16 X 5/8, OVAL	8
NI	3909090	SAFEGUARD CHROME	4

Q4RE

**ELECTRICAL COMMON PARTS
FEATURE 40190-01, DETROIT DIESEL**

<u>KEY</u>	<u>PART NO</u>	<u>DESCRIPTION</u>	<u>QTY</u>
NI	6044929	LIGHT, FLOOD, HALOGEN, RAY-LINE	2
NI	6047229	SCREW, MACH, FLAT HEAD, 10-32 X 3	8
NI	6073613	PLATE ASSY., MOUNTING, DOCKING LIGHT	2
NI	6074280	TAIL LIGHT, HELLA, TURN	2
NI	6074298	TAIL LIGHT, HELLA, BACKUP	2
NI	6074306	GASKET, TAIL LIGHT, HELLA	4
NI	1960350	LABEL SET, SIDE DIR	
NI	1960368	LABEL SET, LANDING LIGHT	
NI	1218486	TUBING, HEAT SHRINK, SEALING	4
NI		HARNESS, WIRING, ELECTRIC PANEL	
	1985050	(ENDING W/ CSN F10003289)	
	0002295	(BEGINNING W/ CSN F10003290)	
NI	1073311	NUT, PANEL, HEX HEAD, 1/2-20	2
NI	1124411	SWITCH, ADJUSTABLE, DPST	
NI	1147974	TERMINAL BLOCK, MODULAR	5
NI	1334689	SCREW, 10-32 X 3/8	4
NI	1356435	SCREW, 8-32 X 1/4	10
NI	1861806	SWITCH, KEYED, ELECTRIC O/O DOOR	
NI	2004604	BOOT, RUBBER, IGNITION SWITCH	
NI	3758455	SCREW, SM, PH, ROUND HEAD	16
NI	3959079	LIGHT, DRIVING, HELLA, CLEAR	2
NI	6046049	BREAKER, 15 AMP, MANUAL RESET	
NI	1048479	END, STOP TERMINAL BLOCK	2
NI	1048495	TRACK, TERMINAL	AR

Q4RE

Notes

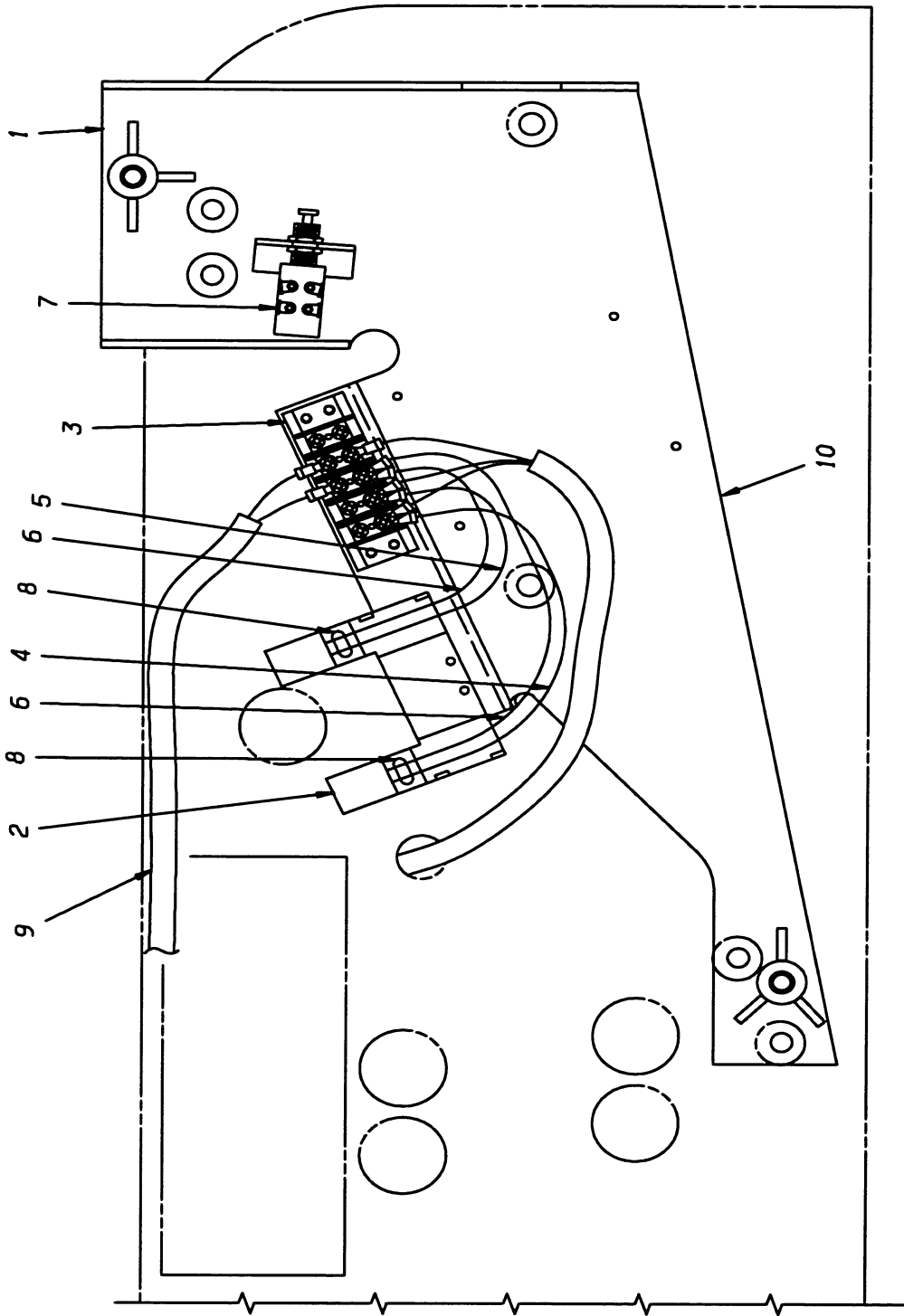
**FRONT LOAD CENTER COMPONENTS
FEATURE 40189, 40190**

<u>KEY</u>	<u>PART NO</u>	<u>DESCRIPTION</u>	<u>QTY</u>
	3866266	BREAKER, CIRCUIT, 30 AMP, 12 VDC	
	3866258	BREAKER, CIRCUIT, 15 AMP, 12 VDC	
	6046049	BREAKER, 15 AMP, MANUAL RESET, 12 VDC	
	3866712	FUSE, 10 AMP	
	3866753	FUSE, 5 AMP	
	1077718	RELAY, BOSCH, 0-332-204-161, 30 AMP	
	3866274	BLADE, FUSE, POWER BLOCK	
	3802949	DIODE, IN5400, 3 AMP	
	2007409	TERMINAL, BUTT CONNECTOR, 14-16 GA., INSULATED	

Q4RE



DR. 1/23/99 BY J.L.	0000673	REV
APP. 1/23/99 BY AB	FRT	
© BLUE BIRD BODY COMPANY. ALL RIGHTS RESERVED		



ENTRANCE DOOR ELECTRICAL CONTROL PANEL

<u>KEY</u>	<u>PART NO</u>	<u>DESCRIPTION</u>	<u>QTY</u>
1	1984392	PLATE ASSY., BASE, AIR CYLINDER, ENTRANCE DOOR	
2	1984368	VALVE IN-LINE, SOL/SOL	
NI	1703073	SCREW, 8-32 x 2-1/4, PH1, PAN HEAD	2
NI	2001162	LOCKWASHER, SPLIT RING, 3/16	2
NI	2001253	NUT, HEX HEAD, 8-32	2
3	1048479	END, STOP TERMINAL BLOCK	2
NI	1048495	TRACK, TERMINAL, AMP 1-601806-1	4"
NI	1147974	TERMINAL BLOCK, MODULAR, W/O SCREW	5
NI	1356435	SCREW, 8-32 x 1/4, PH1, PAN HEAD	10
NI	2004521	SCREW, 10-16 x 5/8, B, PH1, OVAL COUNTERSINK	4
4	0000182	WIRE ASSY., AIR SOLENOID, POWER, MOMENTARY, YELLOW	
5	0000190	WIRE ASSY., AIR SOLENOID, POWER, MOMENTARY, RED	
6	0000208	WIRE ASSY., AIR SOLENOID, GROUND, WHITE	2
7	1124411	SWITCH, ADJUSTABLE, DPST	
NI	1073311	NUT, HEX, PANEL, 1/2-20 x 1/8	2
8	1510775	LOOM, CORRUGATED, BLACK NYLON, 1/4 ID	20"
9	0016071	HARNESS, WIRING, ELECTRICAL SERVICE DOOR, FRONT CAP	
10	0000216	HARNESS, WIRING, KEYED SWITCH, ELECTRICAL SERVICE DOOR	

Q4RE

BATTERY CABLES/ BATTERY COMPARTMENT

<u>KEY</u>	<u>PART NO</u>	<u>DESCRIPTION</u>	<u>QTY</u>
	1970946	CABLE ASSY., BATTERY, POSITIVE	
	1970938	CABLE ASSY., BATTERY, NEGATIVE	
	0001279	CABLE ASSY., 6 GA., HOT, AUX HOT	
	1901503	ANGLE, BATTERY CLAMPING, UNFINISHED 23.56	
	1906429	ANGLE, BATTERY CLAMPING, FINISHED, 23.56	
	0553131	TERMINAL, BATTERY CABLE JUNCTION	
	1053867	BOOT, TERMINAL	
	1964634	TRAY, BATTERY, 3-GROUP 31 BATTERY, E-COAT	
	0885236	BOLT, BATTERY TIE DOWN	
	2001055	WASHER, FLAT, 11/32 x 1 1/4 x 5/32	
	2001444	NUT, WING, 5/16-18	
	1979616	CHANNEL, MTG, TRAY, BATTERY	
	1988385	PAN, CLOSEOUT, BATTERY TRAY, LOWER, REAR	
	1988393	PAN, CLOSEOUT, BATTERY TRAY, LOWER, FRONT	
	1988401	BRACKET, MTG, PAN, CLOSEOUT, BATTERY, LOWER, REAR	

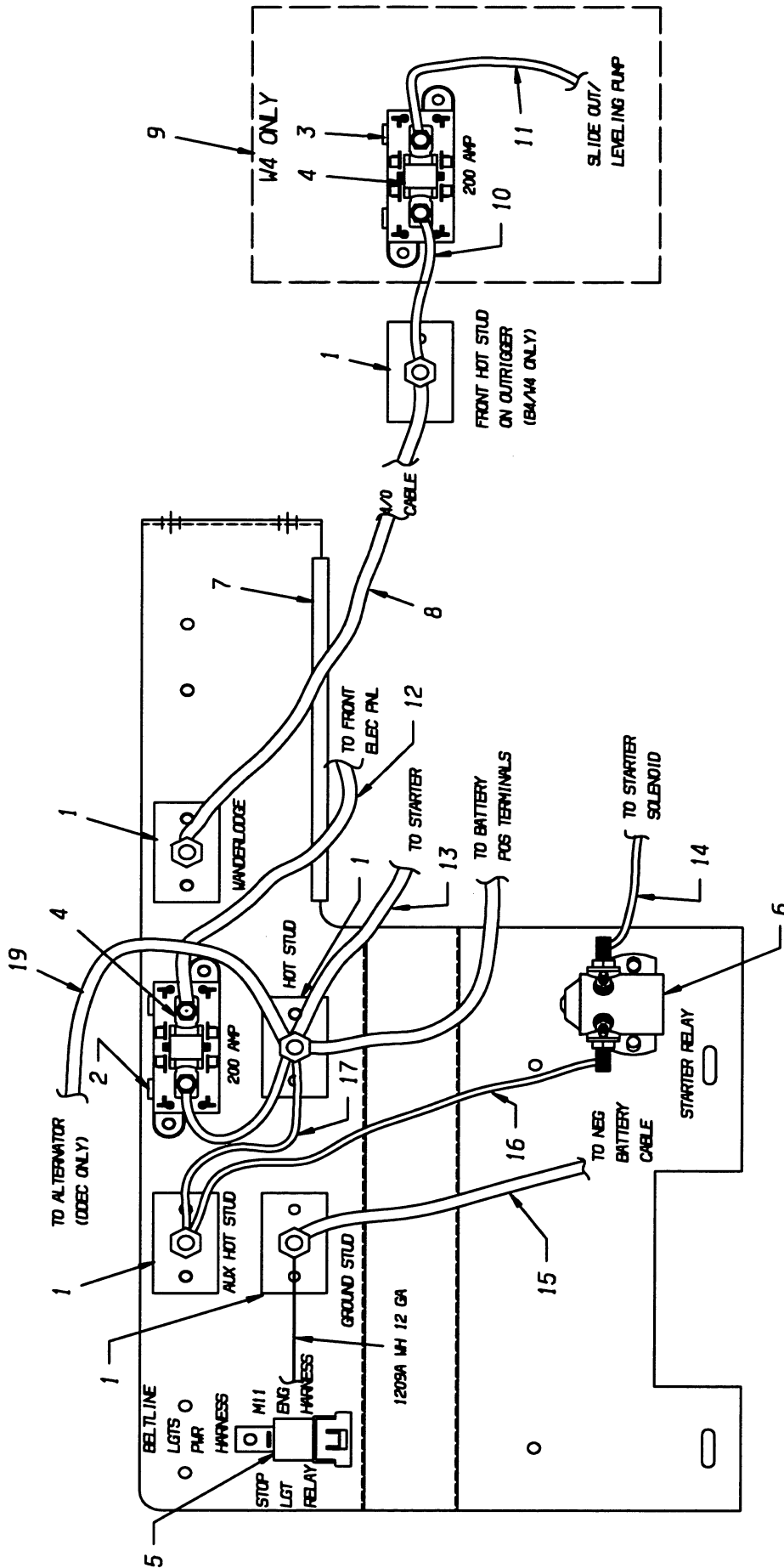
Q4RE

Notes



DR. 1/22/99	BY J. J.	0000030	A
APP. 1/22/99	BY AB	PRT	REV

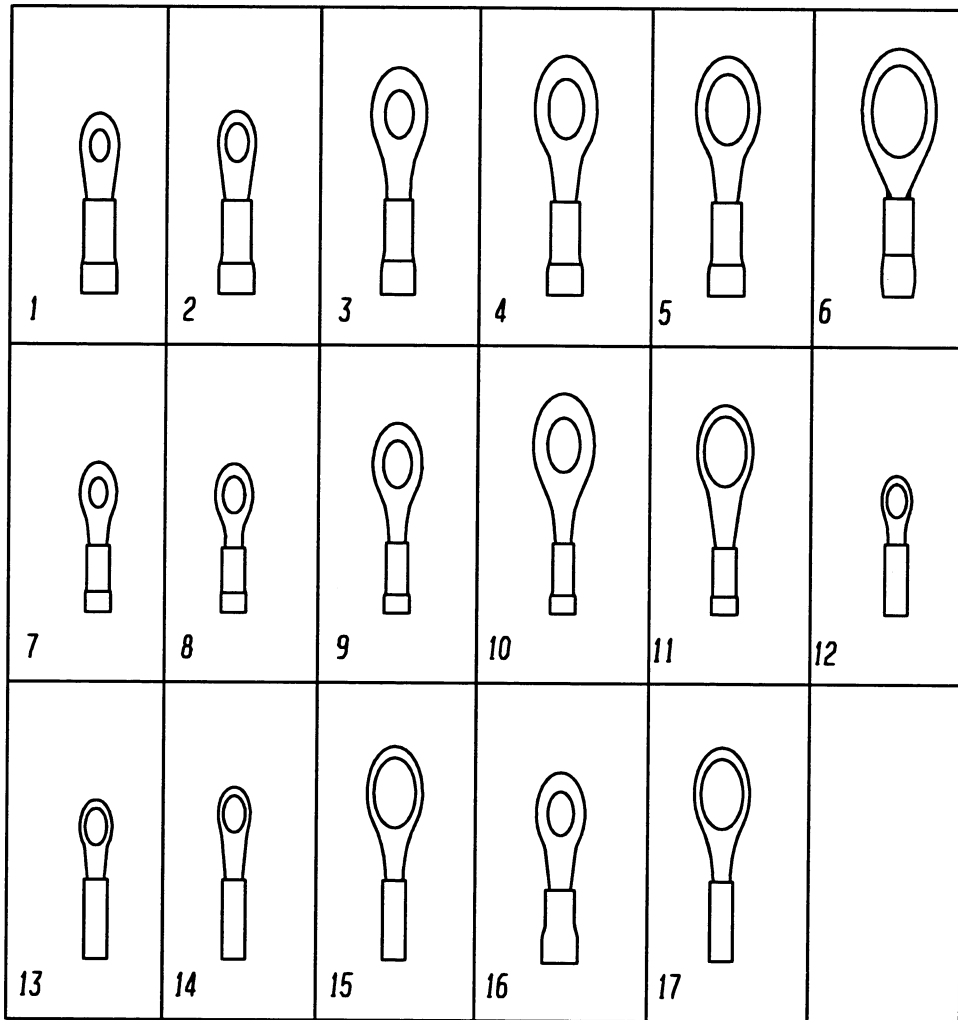
© 1999 BIRD BODY COMPANY. ALL RIGHTS RESERVED



BATTERY POWER DISTRIBUTION – ENGINE COMPARTMENT

<u>KEY</u>	<u>PART NO</u>	<u>DESCRIPTION</u>	<u>QTY</u>
1	0553131	TERMINAL, BATTERY CABLE JUNCTION	
	0659979	NUT, HEX, FLANGE SER, 1/4-20	
	2000826	SCREW, MACH, 1/4-20 x 3/4, PH1, TRUSS HEAD	
	0882795	LOCKWASHER, SPLIT RING, 3/8	
	2001451	NUT, HEX HEAD, 3/8-16	
2	1864404	HOLDER, FUSE, MEGA	
	0977132	CAPSCREW, HEX HEAD, 1/4-20 x 3/4	
	1465947	NUT, HEX HEAD, 1/4-20, LK, NYLON INSERT	
3	1864404	HOLDER, FUSE, MEGA	
	0666727	CAPSCREW, HEX HEAD, 1/4-28 x 5/8	
	2001170	LOCKWASHER, SPLIT RING, 1/4	
	2001402	NUT, HEX HEAD, 1/4-28	
4	1864362	FUSE, MEGA, 200 AMP	
5	1779446	RELAY, SPDT, 30A/20A, 12V, W/ BRACKET	
	1268119	SCREW, 1/4-20 x 1/2, F, PH1, PAN HEAD	
6	0809103	SWITCH, MAGNETIC, STARTER	
	2000057	CAPSCREW, HEX HEAD, 1/4-20 x 1	
	2001253	NUT, HEX HEAD, 8-32	
	0962761	LOCKWASHER, SPLIT RING, 1/4	
7	1278316	TRIM, VINYL, BROWN, DOUBLE LIP	9 IN.
8	3785284	CABLE ASSY., 4/0	
9		DOES NOT APPLY TO THE Q4RE (LTC40). IT ONLY APPLIES TO THE W4RE.	
10	0001030	CABLE ASSY., 2/0	
11		CABLE ASSY., FUSE TO RELAY	
	0001047	W/ SLIDEOUT	
	1934470	W/O SLIDEOUT	
12	0001041	CABLE ASSY., 2/0, HOT	
13		CABLE, STARTER	
	1952274	(FEATURE 40189-01)	
	0001300	(FEATURE 40190-01)	
14	1972082	CABLE ASSY., 8 GA., STARTER SOLENOID	
15	1574250	WIRE ASSY., 6 GA.	
16	1972074	CABLE ASSY., 8 GA., STARTER RELAY	
17	0001279	CABLE ASSY., 6 GA., HOT	
18	1980945	CABLE ASSY., POWER FEED TO MEGAFUSE	
19	0001278	CABLE ASSY., 2/0, HOT	

Q4RE



TERMINALS

<u>KEY</u>	<u>PART NO</u>	<u>DESCRIPTION</u>	<u>QTY</u>
1	0984930	TERMINAL, EYELET, NO. 8, 10-12 GAUGE	
2	2007441	TERMINAL, EYELET, NO. 10, 10-12 GAUGE	
3	0765826	TERMINAL, EYELET, 1/4, 10-12 GAUGE	
4	0984955	TERMINAL, EYELET, 5/16, 10-12 GAUGE	
5	2007474	TERMINAL, EYELET, 3/8, 10-12 GAUGE	
6	1353655	TERMINAL, EYELET, 1/2, 10-12 GAUGE	
7	0765834	TERMINAL, EYELET, NO. 8, 14-16 GAUGE	
8	2007433	TERMINAL, EYELET, NO. 10, 14-16 GAUGE	
9	0765859	TERMINAL, EYELET, 1/4, 14-16 GAUGE	
10	1404383	TERMINAL, EYELET, 5/16, 14-16 GAUGE	
11	0803361	TERMINAL, EYELET, 3/8, 14-16 GAUGE	
12	1898006	TERMINAL, EYELET, #8, 22-18, GAUGE	
13	1901131	TERMINAL, EYELET, #10, 22-16 GAUGE	
14	1353648	TERMINAL, EYELET, NO. 10, 18-20 GAUGE	
15	1353630	TERMINAL, EYELET, 3/8, 18-20 GAUGE	

AAFE, AARE, A3FE, A3RE, B1VC, B4RE, C1FE, CSFE, CSRE, DRFL, DRRE, GMCV, GPWB, MBWB, Q4RE, QBEV, QBRE, SBCV, T2RE, TCEV, TCFE, TCRE, TSFE, VCTA, W4RE



2	3	4	5	6	7
8	9	10	11	12	13
14	15	16	17	18	19
20	21	22	23		

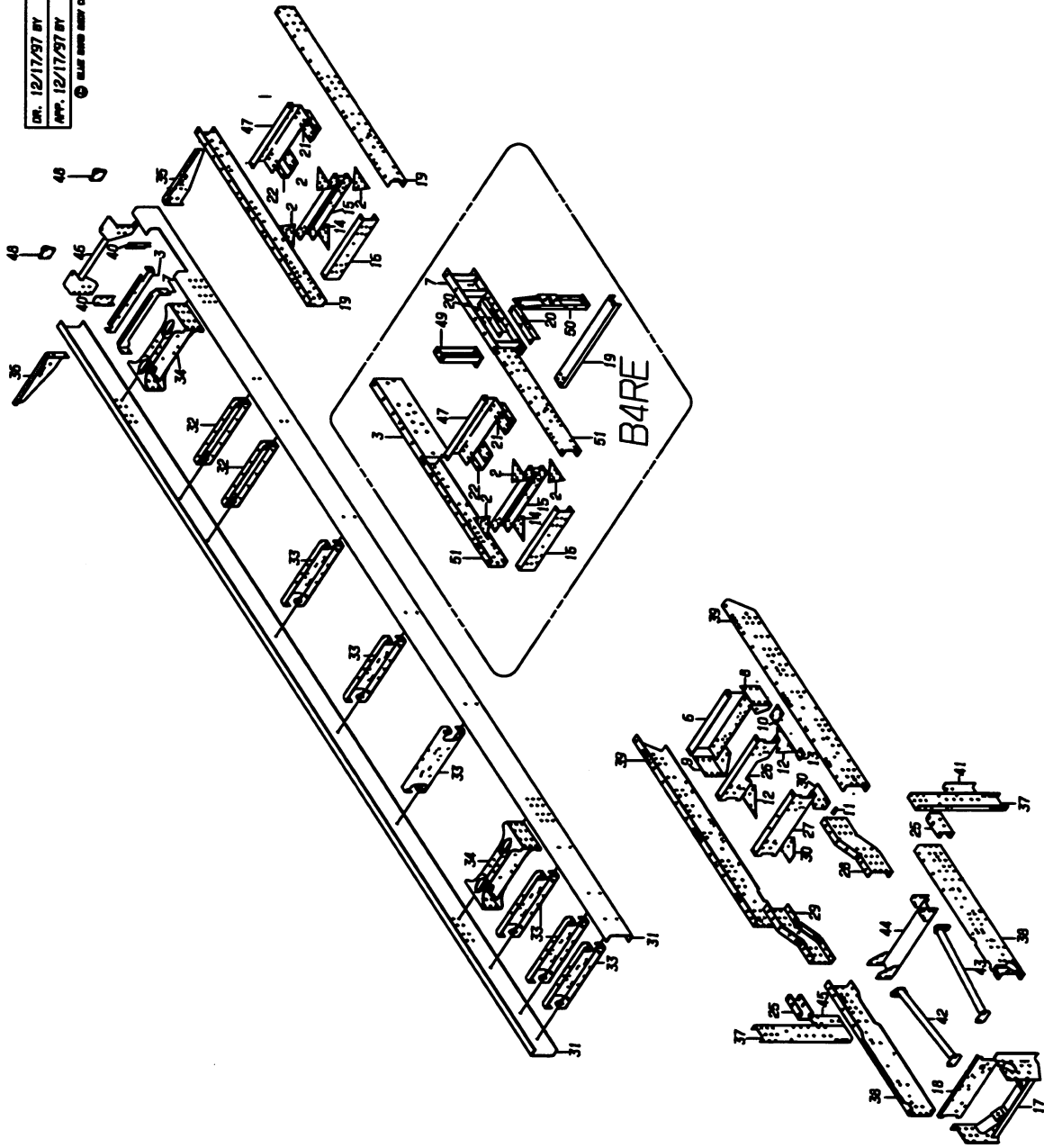
TERMINALS

<u>KEY</u>	<u>PART NO</u>	<u>DESCRIPTION</u>	<u>QTY</u>
1	0527655	TERMINAL, SLIDE, 1/4, 10 GAUGE	
2	1063296	TERMINAL, SLIDE, 1/4, 14-16 GAUGE	
3	1203066	TERMINAL, SLIDE, 3/16, 14-16 GAUGE	
4	2007417	TERMINAL, SLIDE, 1/4, 14-16 GAUGE	
5	1631621	TERMINAL, SLIDE, 1/4, 14-16 GAUGE	
6	1588607	TERMINAL, SLIDE, 1/4, 18-20 GAUGE	
7	1998343	TERMINAL, SLIDE, 3/16, 22-18 GAUGE	
8	1837756	TERMINAL, SLIDE, 3/16, 18-22 GAUGE	
9	1930122	TERMINAL, SLIDE, 1/4, 18-22 GAUGE	
10	1975275	TERMINAL, SLIDE, 3/16, 14-16 GAUGE	
11	0527648	TERMINAL, BLADE, 1/4, 14-16 GAUGE	
12	1055391	TERMINAL, BLADE, 1/4, 10-12 GAUGE	
13	0522961	TERMINAL, BUTT CONNECTOR, 10-12 GAUGE	
14	2007409	TERMINAL, BUTT CONNECTOR, 14-16 GAUGE	
15	1596196	TERMINAL, BUTT CONNECTOR, STEP DOWN, 16-22/14-16 AMP	
16	1596220	TERMINAL, BUTT CONNECTOR, STEP-DOWN, 16-22/14-16 AMP	
17	1594845	TERMINAL, BUTT CONNECTOR, 16-22, INSULATED	
18	2079101	TERMINAL, BUTT CONNECTOR, 14-16 GAUGE, INSULATED	
19	1952282	TERMINAL, BUTT CONNECTOR, STEP-DOWN, 10-12/14-16, AMP	
20	0765875	TERMINAL, SPADE, NO. 8, 14-16 GAUGE, INSULATED	
21	0984922	TERMINAL, SPADE, NO. 10, 14-16 GAUGE, INSULATED	
22	1055383	TERMINAL, SPADE, NO. 8, 10-12 GAUGE, INSULATED	

AAFE, AARE, A3FE, A3RE, B1VC, B4RE, C1FE, CSFE, CSRE, DRFL, DRRE, GMCV, GPWB, MBWB, Q4RE, QBEV, QBRE, SBCV, T2RE, TCEV, TCFE, TCRE, TSFE, VCTA, W4RE



DR. 12/17/57 BY	1965165	KEY
APP. 12/17/57 BY	PTL	
© GALE AUTO BODY COMPANY, ALL RIGHTS RESERVED		



C .

CHASSIS FRAME
FEATURE 40189-01 40190-01 CUMMINS M11, DD SERIES 60
(ENDING W/CSN 10000304)

<u>KEY</u>	<u>PART NO</u>	<u>DESCRIPTION</u>	<u>QTY</u>
NI		BUMPER ASSY.	
	1939115	FRONT	1
	1939131	REAR	1
NI		BRACE, BUMPER, REAR	
	1990605	RIGHT HAND	1
	1990613	LEFT HAND	1
NI	1964428	BRACKET, MTG, BUMPER, REAR	1
1	0800730	PLATE, CHASSIS SERVICE NUMBER	NI
2	0961664	GUSSET,FRONT SUSP, REAR C/MBR,LH	3
3	1964477	CROSSMEMBER, SUPT, STEPWELL,FRONT	1
4	1039395	PLATE,CERTIF, W/INTERMEDIATE AXLE	NI
5	1045087	PLATE, AXLE RECORD,TAG AXLE	NI
6	1149251	CROSSMEMBER, DRV AXLE SUSP, FRT	1
7	1964485	CROSSMEMBER, SUPT, STEPWELL, REAR	1
8	1158906	GUSSET, DRV AXLE SUSP,FRT C/MBR, RH	1
9	1158914	GUSSET, DRV AXLE SUSP,FRT C/MBR, LH	1
10	1158955	SPACER,REAR SUSP,FRT C/MBR,RIDWL,5/16	1
11	1159797	SPACER, TAG AXLE SUSP, FRONT CROSSMEMBER, 5/16	1
12	1160548	GUSSET, DRV AXLE SUSP,REAR C/MBR	2
13	1226588	SPACER, REAR SUSP,REAR C/MBR, RIDWL	1
14	1278027	GUSSET, FRONT SUSP, REAR C/MBR, LH, W/RIDWL	1
15	1278035	CROSSMEMBER, FRONT SUSP, REAR	1
16	1278043	CROSSMEMBER, FRONT, SUBFRAME, RR	1
17		CROSSMEMBER ASSY, MTG	1
	1964642	CUMMINS M11 (FEATURE 40189-01)	1
	1975549	DD SERIES 60 (FEATURE 40190-01)	1
18	1286673	CROSSMEMBER, REAR, SUBFRAME	1
19	1964840	SUBFRAME SET, FRONT	1
20	1965177	LAYOUT, FRAME/SUBFRAME MODIFICATIONS	NI
21	1503705	GUSSET ASSY, FRT SUSP, FRT C/M, RH	1
22	1503713	GUSSET ASSY, FRT SUSP, FRT C/M, LH	1
23	1636950	PIN,FLG HEAD, HUCKSPIN,.50X2.60	100
24	1636968	COLLAR, HUCKSPIN, .50	100
25	1866896	BRACKET,ATCH,SUB-FRAME, UPPER TO LOWER	2
26	1904135	CROSSMEMBER ASSY,DRIVE AXLE	1
28	1920230	BRACKET ASSY, MTG,SUB-FRM, RR, LWR, LH	1
29	1920248	BRACKET ASSY ,MTG,SUB-FRM, RR, LWR, RH	1
30	1922798	GUSSET, TAG AXLE SUSP, FRONT C/MBR	2
31	1928050	FRAME RAIL SET, 247 WB	1
32	1928068	CROSSMEMBER, 3.00 X 6.25 X 35.44	2
33	1928076	CROSSMEMBER, 3.00 X 9.00 X 35.44	6
34	1928084	CROSSMEMBER ASSEMBLY	2
35	1932821	OUTRIGGER, FRONT STRUCTURE, RIGHT HAND	1
36	1932839	OUTRIGGER, FRONT STRUCTURE, LEFT HAND	1
37	1943752	CHANNEL,SIDE, C/MBR,FRT ENG MTG	2
38	1946607	SUBFRAME SET ,REAR, LOWER	1
39	1946615	SUBFRAME SET, REAR, UPPER	1
40	1948819	ANGLE, REINFORCEMENT, TOW EYE	2

CHASSIS FRAME
FEATURE 40189-01 40190-01 CUMMINS M11, DD SERIES 60
(END W/CSN 10000304)

<u>KEY</u>	<u>PART NO</u>	<u>DESCRIPTION</u>	<u>QTY</u>
41	1951276	CHANNEL, SIDE, TRANSMISSION MTG, RH (CUMMINS M11)	1
42		BRACE ASSY, TRAILER HITCH, LH	1
	1951284	CUMMINS M11 LH	1
	1867399	DD SERIES 60 RH & LH	2
43	1951292	BRACE ASSY, TRAILER HITCH, RH	1
44		CROSSMEMBER ASSY, FRONT ENGINE MTG	
	1951334	CUMMINS M11	1
	1875327	DD SERIES 60	1
45	1951359	CHANNEL, SIDE, TRANSMISSION MTG,LH,M11	1
46	1951417	CROSSMEMBER ASSY, FRONT	1
47	1954551	CROSSMEMBER, FRONT SUSPENSION, FRONT	1

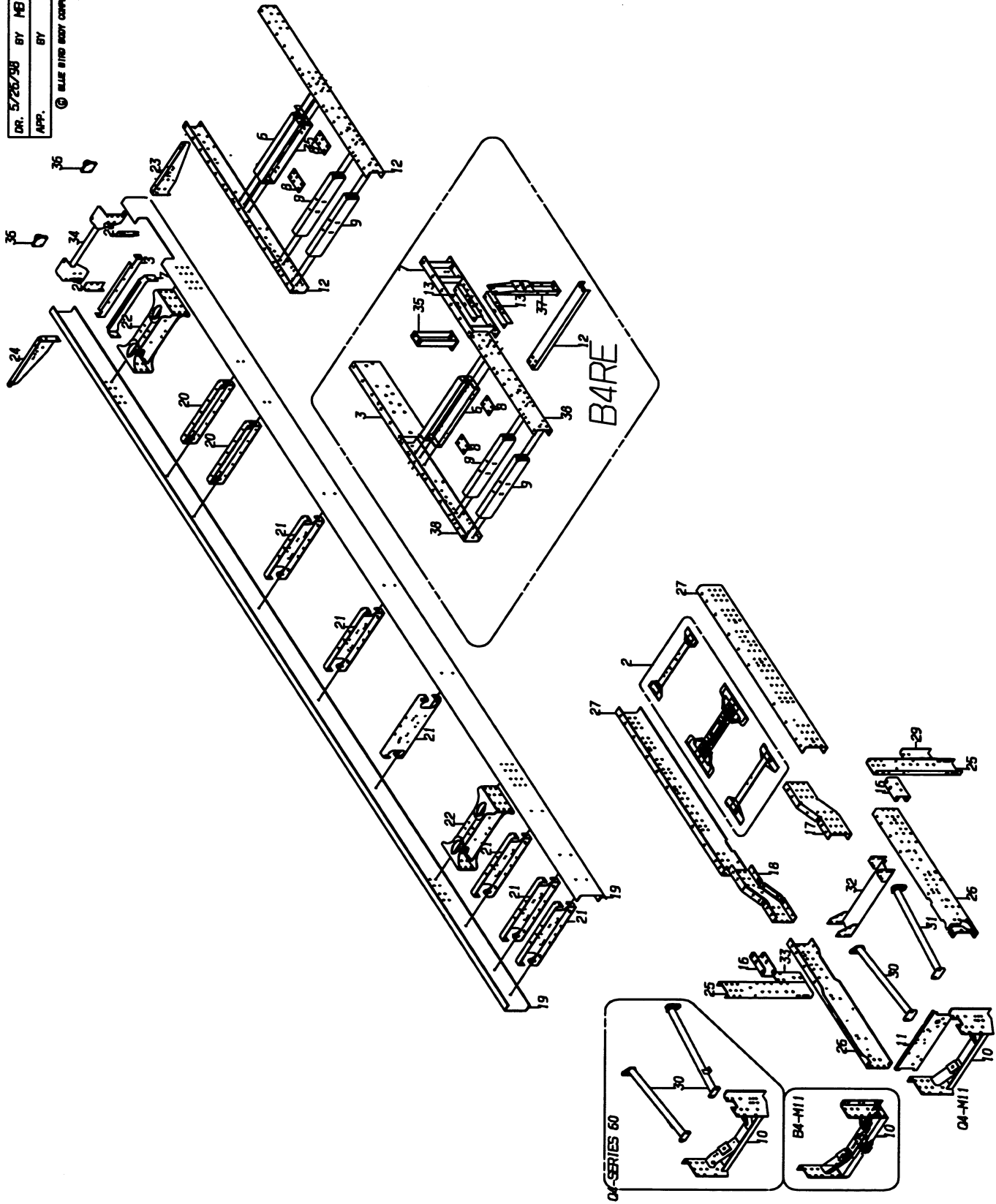
Q4RE-I

Notes



DR: 5/26/98	BY MB	1992312	B
APP.	BY CRT		REV

© BLUE BIRD BODY COMPANY. ALL RIGHTS RESERVED



CHASSIS FRAME
FEATURE 40189, 40190 CUMMINS M11, DD SERIES 60
(BEG W/CSN 10000305)

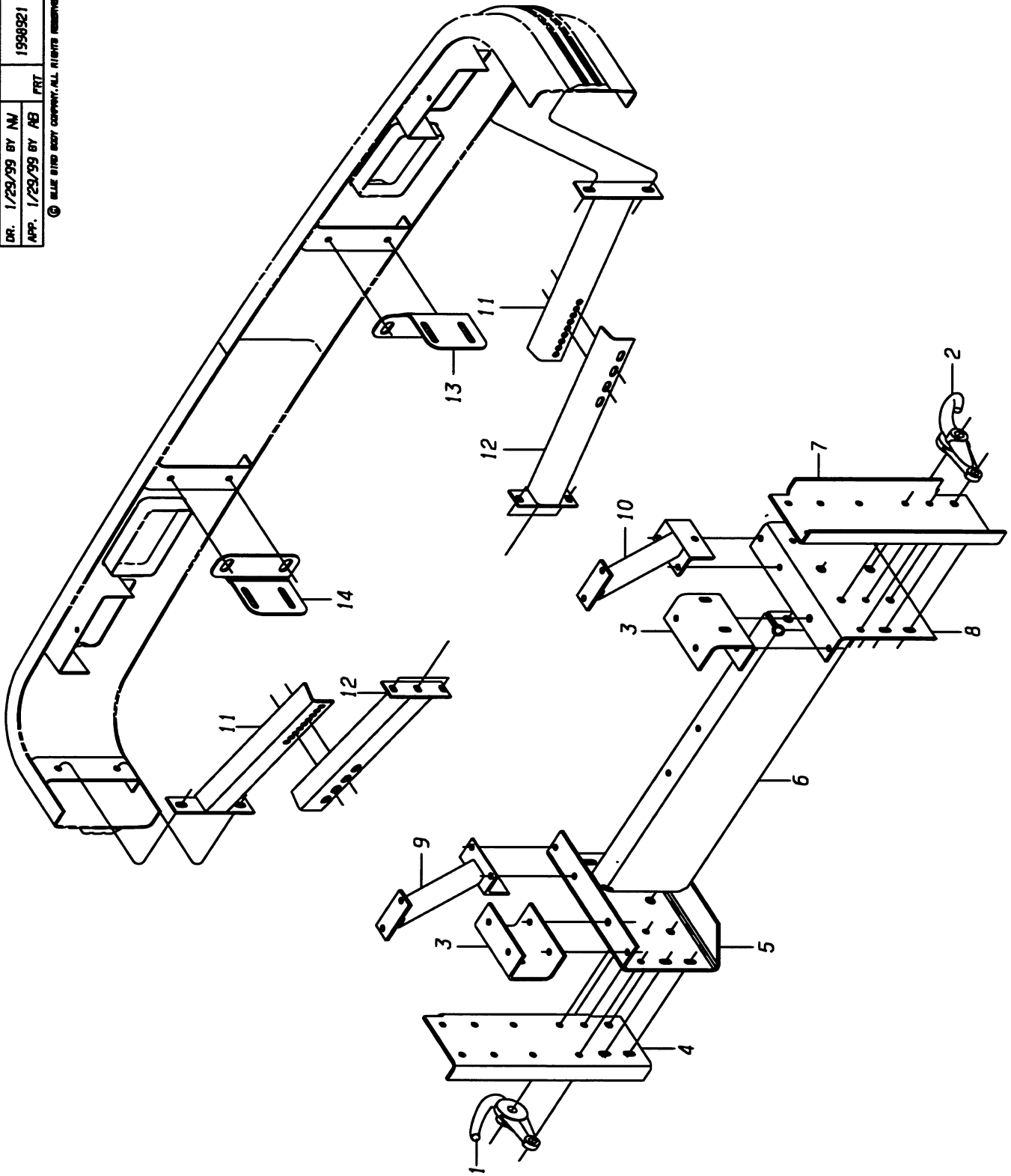
<u>KEY</u>	<u>PART NO</u>	<u>DESCRIPTION</u>	<u>QTY</u>
NI	0800730	PLATE, CHASSIS SERVICE NUMBER	
2	1983071	KIT, AIR SUSP,DRV/FXD TG	REF
3	1964477	CROSSMEMBER, SUPT,STEPWELL, FRONT	1
NI	1039395	PLATE, CERTIF, W/INTERMEDIATE AXLE	
NI	1045087	PLATE, AXLE RECORD, TAG AXLE	
6	0002113	CROSSMEMBER, FRONT SUBFRAME, FRONT	1
7	1964485	CROSSMEMBER, SUPT, STEPWELL, REAR	1
8	0002147	SPACER,FRONT SUSPENSION	2
9	0002105	CROSSMEMBER, FRONT SUBFRAME,REAR	2
10		CROSSMEMBER ASSY ,MTG	
	1964642	(ENDING W/CSN 10001374)	1
	0016238	(BEG W/CSN 10001375) ,CUMMINS M11	1
	0016246	(BEG W/CSN 10001375) , DD SERIES 60	1
11	1286673	CROSSMEMBER,REAR,SUBFRAME,10.12 FRAME	1
12	0002097	SUBFRAME SET,FRONT	1
16	1866896	BRACKET, ATCH, SUB-FRAME, UPPER TO LOWER	2
17	1920230	BRACKET ASSY,MTG,SUB-FRM,RR, LWR, LH	1
18	1920248	BRACKET ASSY,MTG,SUB-FRM,RR, LWR, RH	
19	1928050	FRAME RAIL SET,247 WB	1
20	1928068	CROSSMEMBER, 3.00 X 6.25 X 35.44	2
21	1928076	CROSSMEMBER, 3.00 X 9.00 X 35.44	6
22	1928084	CROSSMEMBER ASSEMBLY,8.56 X 15.00 X 35.44	2
23		OUTRIGGER, FRONT STRUCTURE RH	
	1932821	(ENDING W/CSN 100004880)	1
	1997360	(BEG W/CSN 100004881)	1
24		OUTRIGGER, FRONT STRUCTURE	1
	1932839	(ENDING W/CSN 100004880)	1
	1997352	(BEG W/CSN 100004881)	1
25	1943752	CHANNEL, SIDE, C/MBR,FRT ENG MTG	2
26	1946607	SUBFRAME SET ,REAR, LOWER	1
27	1983089	SUBFRAME SET ,REAR, UPPER	1
28	1948819	ANGLE, REINFORCEMENT, TOW EYE	2
29	1951276	CHANNEL,SIDE, TRANSMISSION MTG, RH (M11 ONLY)	1
30		BRACE ASSY, TRAILER HITCH	
	1951284	CUMN M11 ONLY FEATURE 40189-01	1
	1867399	DD SERIES 60 ONLY FEATURE 40190-01	2
31	1951292	BRACE ASSY, TRAILER HITCH, RH (M11 ONLY)	1
32		CROSSMEMBER ASSY,FRONT ENGINE MTG,	
	1951334	CUMN M11 ONLY FEATURE 40189-01	1
	1875327	DD SERIES 60 ONLY FEATURE 40190-01	1
33	1951359	CHANNEL,SIDE, TRANSMISSION MTG ,LH, (M11 ONLY) FEATURE 40190-01	1
34	1951417	CROSSMEMBER ASSY,FRONT	1
35	0002121	CROSSMEMBER, FRONT SUBFRAME, MIDDLE	1

Q4RE



DR. 1/23/99 BY NW	1998921	A
APP. 1/23/99 BY AB	PRT	REV

© 1998 BIRD BOST COMPANY. ALL RIGHTS RESERVED.



FRONT BUMPER

<u>KEY</u>	<u>PART NO</u>	<u>DESCRIPTION</u>	<u>QTY</u>
NI	1939115	BUMPER, FRONT	1
NI	8315236	EXTRUSION, MOULDED RUBBER	1
1	1258680	HOOK, TOW, LH, PAINTED	1
2	1258698	HOOK, TOW, RH, PAINTED	1
3	1955954	BRACKET,MTG,BUMPER BRK TO SUBFRAME,FRT	2
4	1955962	CHANNEL,MTG,FRONT BUMPER BRACKET	1
5		BRACKET,MTG,BUMPER,FRONT,LH	
	1955970	(ENDING W/CSN 10010044)	1
	0000535	(BEG W/CSN 10010045)	1
6	1971654	CROSSMEMBER,BUMPER BRACE,FRONT	1
7	1971662	CHANNEL,MTG,FRONT,BUMPER BRACKET,RH	1
8		BRACKET,MTG,BUMPER,FRONT,RH	
	1971670	(ENDING W/CSN 10010044)	1
	0000483	(BEG W/CSN 10010045)	1
9	1975481	BRACKET ASSY,BRACE,BUMPER,FRONT,LH	1
10	1975499	BRACKET ASSY,BRACE,BUMPER,FRONT,RH	1
11	1998236	BRACE ASSY,BUMPER,OUTER,FRONT	2
12	1998244	BRACE ASSY,BUMPER,INNER,FRONT	2
13	0000484	BRACKET, MTG., BUMPER, FRT, RH (BEG W/ CSN 10010045)	1
14	0000536	BRACKET, MTG., BUMPER, FRT, LH (BEG W/ CSN 10010045)	1

Q4RE

*** BUMPER, REAR**

<u>KEY</u>	<u>PART NO</u>	<u>DESCRIPTION</u>	<u>QTY</u>
NI	1964428	BRACKET ,MTG, BUMPER, REAR	2
NI	1939131	BUMPER ASSY, REAR	1
NI	8315236	EXTRUSION, RUBBER MOULDING	1
NI		BRACE, BUMPER, REAR, RH	
	1990605	(ENDING W/CSN 10010044)	1
	0000614	(BEG W/CSN 10010045)	1
NI		BRACE, BUMPER, REAR, LH	
	1990613	(ENDING W/CSN 10010044)	1
NI	0000615	(BEG W/CSN 10010045)	1
	* NOTE REF BOM FOR TEXT 2966836.		

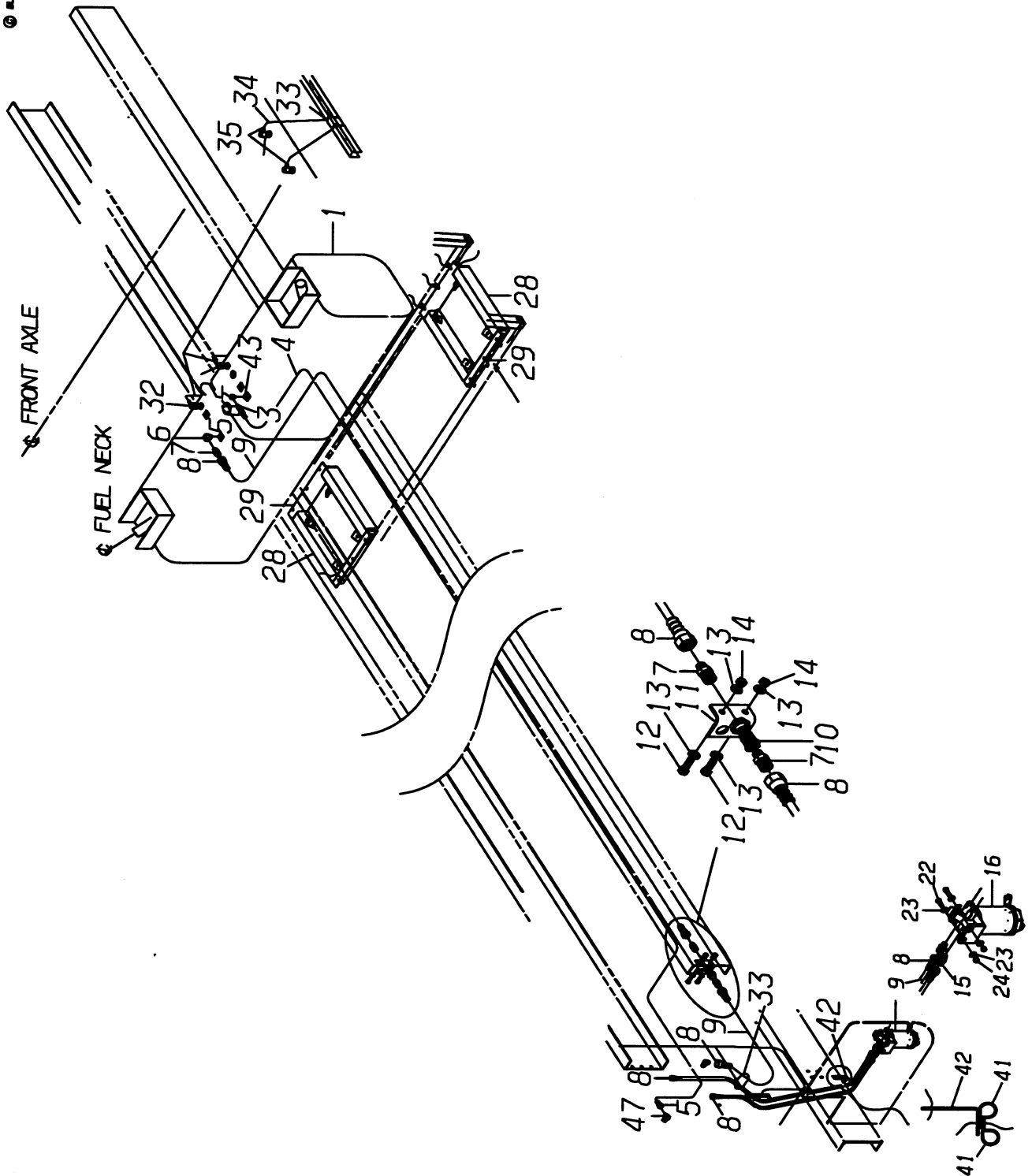
Q4RE

Notes



DR. 1/5/99 BY NJ	1912781	C
APP. 1/5/99 BY MT		REV
	PRT	

© BLUE BIRD BODY COMPANY. ALL RIGHTS RESERVED



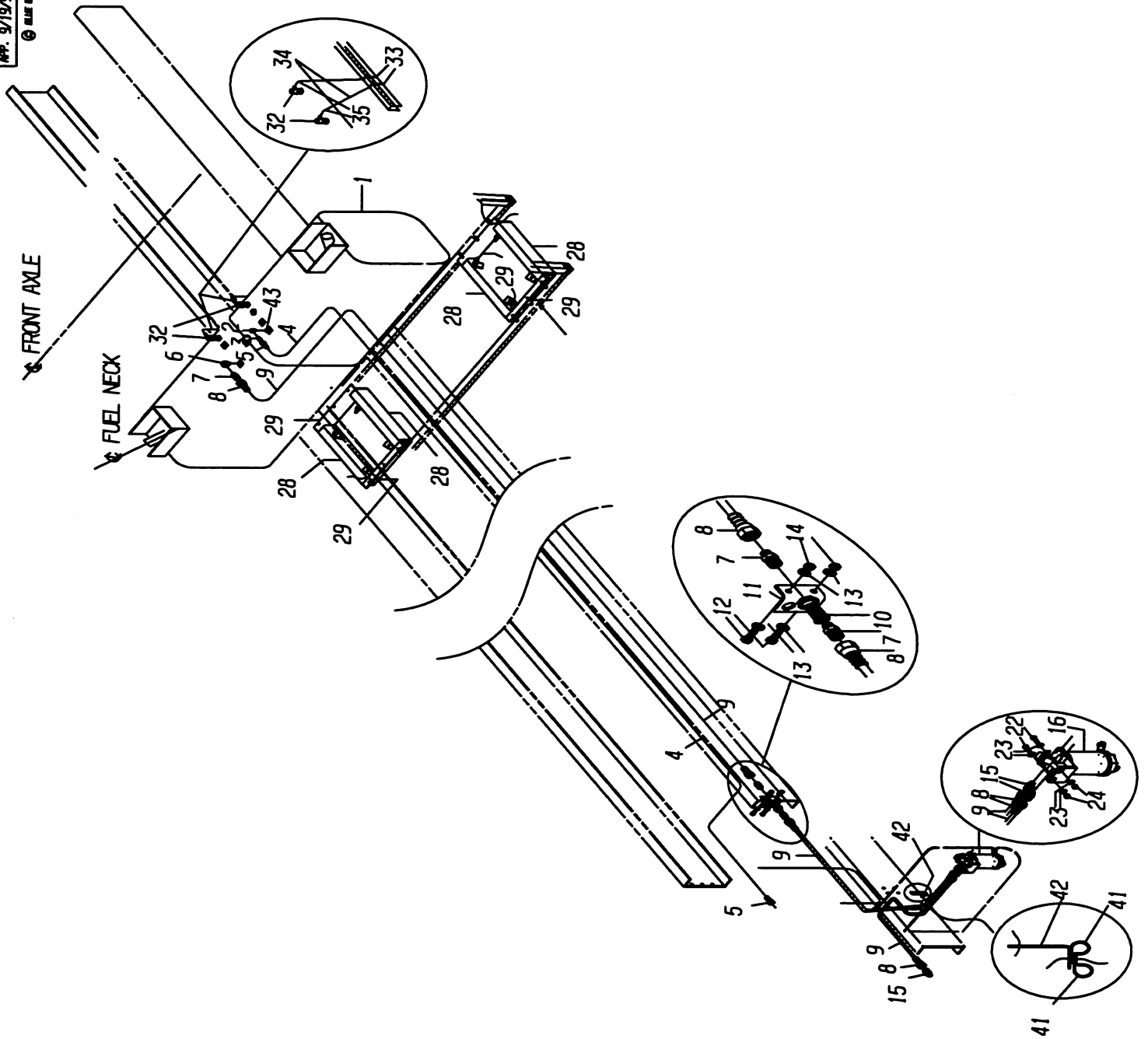
**FUEL SYSTEM, 176 GALLON, CUMMINS M11, 247 WB
FEATURE NO. 40189-01**

KEY	PART NO	DESCRIPTION	QTY
1	1943232	TANK ASSY, FUEL, 176 GAL. TRNSV MT, DUAL FILL	1
2	2027241	ELBOW, STREET, 90 DEGREE, 3400X6Z	1
3	1912724	CONNECTOR, MALE, 45 FL, 1/2T X 3/8 MP, 48X8	1
4	1797828	HOSE, .50 ID X .78 OD	33'
5	1944107	INSERT, BARBED, SWIV, 45 DEG 1/2 HOSE X 3/4-16	2
6	2008274	ELBOW, STREET, 90 DEG. 3400 X 82	1
7	2026672	CONNECTOR, MALE, 45 FL, 5/8T X 1/2MP, 48 X 10	3
8	1912765	SWIVEL, FEMALE, 45 FL, 5/8H X 5/8T	8
9	1313774	HOSE, .625 IS X .906 OD	39'
10	1153600	COUPLING, ANCHOR, 1/2 NPT	1
11	1912732	ANGLE, MOUNTING, FUEL & AIR JUNCTION	1
12	0803239	CAPSCREW, HEX HD, 1/2-13 X1 1/2, GR8,	10
13	1003045	WASHER, FLAT, 17/32 X 1 1/16 X 7/64, HDN	20
14	0850800	NUT, HEX HD, 1/2-13, LOCKING, GR 8	10
15	1705771	CONNECTOR, MALE, 45 FL, 5/8T X 3/8 MP, 48X10X6	2
16	1947688	FILTER, FUEL/WATER SEPARATOR, RACOR 49OR-12-10	1
22	0803213	CAPSCREW, HEX HD, 3/8-16X1 1/4, GR 8	2
23	1078922	WASHER, FLAT, 3/8 X 7/8 X 5/64	4
24	0826297	NUT, HEX HD, 3/8-16 LOCK	2
25	2007649	PAD, FUEL TANK STRAP	30'
26	1912831	STRAP ASSY, FUEL TANK, 176 GAL	4
28	1912856	CROSSMEMBER ASSY, FUEL TANK, 176 GAL	4
29	1950856	ANGLE, CROSSMEMBER ATTACH, FUEL TANK, 176	4
30	2001451	NUT, HEX HD, 3/8-16	16
31	1107085	WASHER, FLAT, 13/32 X 13/16 X 3/32, HDN	8
32	1237072	VENT ,FUEL TANK	2
33	0599704	TIE, CABLE, NYLON	3
34	1797802	HOSE, .25 ID X .50 OD	8'
35	1435502	CLAMP, HOSE, LINED, .50 INCH	2
38	2000057	CAPSCREW, 1/4-20 X 1, GR5	2
39	1268093	NUT, HEX, 1/4-20, SERRATED	2
40	1467000	WASHER, FLAT, .281 X .750 X .078, HDN	4
41	1602663	CLAMP, INSULATED, 1"	2
42	1317247	BRACKET, ATCH, BRAKE LINE TO FRAME	1
43	2023539	BUSHING, PIPE, 1/2 MPT X 3/8 FPT	1
44	0559195	CAPSCREW, HEX HEAD, 3/8-16 X 1, GR 8	12
45	1167485	WASHER, FLAT, 11/32 X 11/16 X 5/64	24
46	0826297	NUT, HEX HD, 3/8-16 LOCK	12
FEATURE 40460-01 WANDERLODGE INSTALLED GENERATOR			
NI	0670901	ELBOW, 3/8 MPT X 3/8 INV. FLARE, 402X6X6	2
NI	1313808	SWIVEL, MALE, 3/8 HOSE X 3/8 INV. FLARE	2
NI	1797810	HOSE, 37X.62 OD. W-H	26FT
NI	0599704	TIE CABLE, NYLON	1



DR. 9/19/97 BY NW	1912807	B	REV.
APP. 9/19/97 BY CH	PTL		

© ALL RIGHTS RESERVED



**FUEL SYSTEM, 176 GALLON, DD SERIES 60, 247 WB
FEATURE NO. 40190-01**

<u>KEY</u>	<u>PART NO</u>	<u>DESCRIPTION</u>	<u>QTY</u>
1	1943232	TANK ASSY, FUEL, 176 GAL. TRNSV MT, DUAL FILL	1
2	2027241	ELBOW, STREET, 90 DEGREE, 3400X6Z	1
3	2026664	CONNECTOR, MALE, 45 FL, 1/2T X 3/8MP, 48X8	1
4	1797828	HOSE, .50 ID X .78 OD	33'
5	1944107	INSERT, BARBED, SWIV, 45 DEG 1/2 HOSE X 3/4-16	2
6	2008274	ELBOW, STREET, 90 DEG. 3400X82	1
7	2026672	CONNECTOR, MALE, 45 FL, 5/8T X 1/2MP, 48 X 10	3
8	1912765	SWIVEL, FEMALE, 45 FL, 5/8H X 5/8T	6
9	1313774	HOSE, .625 IS X .906 OD	39'
10	1153600	COUPLING, ANCHOR, 1/2 NPT	1
11	1912732	ANGLE, MOUNTING, FUEL & AIR JUNCTION	1
12	0803239	CAPSCREW, HEX HD, 1/2-13 X 1 1/2, GR8	10
13	1003045	WASHER, FLAT, 17/32 X 1 1/16 X 7/64	20
14	0850800	NUT, HEX HD, 1/2-13, LOCKING,GR 8	10
15	1705771	CONNECTOR, MALE, 45 FL, 5/8T X 3/8MP, 48X10X6	2
16	1951680	FILTER, FUEL/WATER SEPARATOR, RACOR 49OR-12-10	1
22	0803213	CAPSCREW, HEX HD, 3/8-16X1 1/4, GR8	2
23	1078922	WASHER, FLAT, 3/8 X 7/8 X 5/64	4
24	0826297	NUT, HEX HD, 3/8-16 LOCK,	2
25	2007649	PAD, FUEL TANK STRAP	30'
26	1912831	STRAP ASSY, FUEL TANK, 176 GAL	4
28	1912856	CROSSMEMBER ASSY, FUEL TANK, 176 GAL	4
29	1950856	ANGLE, CROSSMEMBER ATTACH, FUEL TANK, 176	4
30	2001451	NUT, HEX HD, 3/8-16	16
31	1107085	WASHER, FLAT, 13/32 X 13/16 X 3/32	8
32	1237072	VENT, FUEL TANK	2
33	0599704	TIE, CABLE, NYLON	3
34	1797802	HOSE, .25 ID X .50 OD, W-H H00904	8'
35	1435502	CLAMP, HOSE, LINED, .50 INCH	2
38	2000057	CAPSCREW, 1/4-20 X 1, GR5	2
39	1268093	NUT, HEX, 1/4-20, SERRATED	2
40	1467000	WASHER, FLAT, .281 X .750 X .078	4
41	1602663	CLAMP, INSULATED, 1"	2
42	1317247	BRACKET, ATCH, BRAKE LINE TO FRAME	1
43	2023539	BUSHING, PIPE, 1/2 MPT X 3/8 FPT	1
44	0559195	CAPSCREW, HEX HEAD, 3/8-16 X 1, GR 8	12
45	1167485	WASHER, FLAT, 11/32 X 11/16 X 5/64	24
46	0826297	NUT, HEX HD, 3/8-16 LOCK	12
47	0010314	ADAPTER, 45, 9154X8X8 (BEGINNING W/CSN/F0001183)	1
FEATURE 40460-01 WANDERLODGE INSTALLED GENERATOR			
NI	0670901	ELBOW, 3/8 MPT X 3/8 INV. FLARE, 402X6X6	2
NI	1313808	SWIVEL, MALE, 3/8 HOSE X 3/8 INV. FLARE	2
NI	1797810	HOSE, 37X.62 OD. W-H	26FT
NI	0599704	TIE CABLE, NYLON	1

Q4RE

Notes

**PANEL, CONTROL, CAB SHIFTER, CUMMINS M11
FEATURE 40189-01
(BEGINNING W/CSN 10001280)**

<u>KEY</u>	<u>PART NO</u>	<u>DESCRIPTION</u>	<u>QTY</u>
NI	6099832	BEZEL, DRIVERS VENT	1
NI	6099840	BEZEL, SHIFTER	1
NI	6101315	PANEL, EL, ARMREST CONTROL	1
NI	6101307	PANEL, CONTROL, ARMREST, M-LL TPAD	1
NI	2271823	LIGHT, INDICATOR, BLUE	1
NI	2268522	SWITCH, DASH, ON-OFF	AR
NI	2268563	SWITCH, DASH, MOM ON-OFF	AR

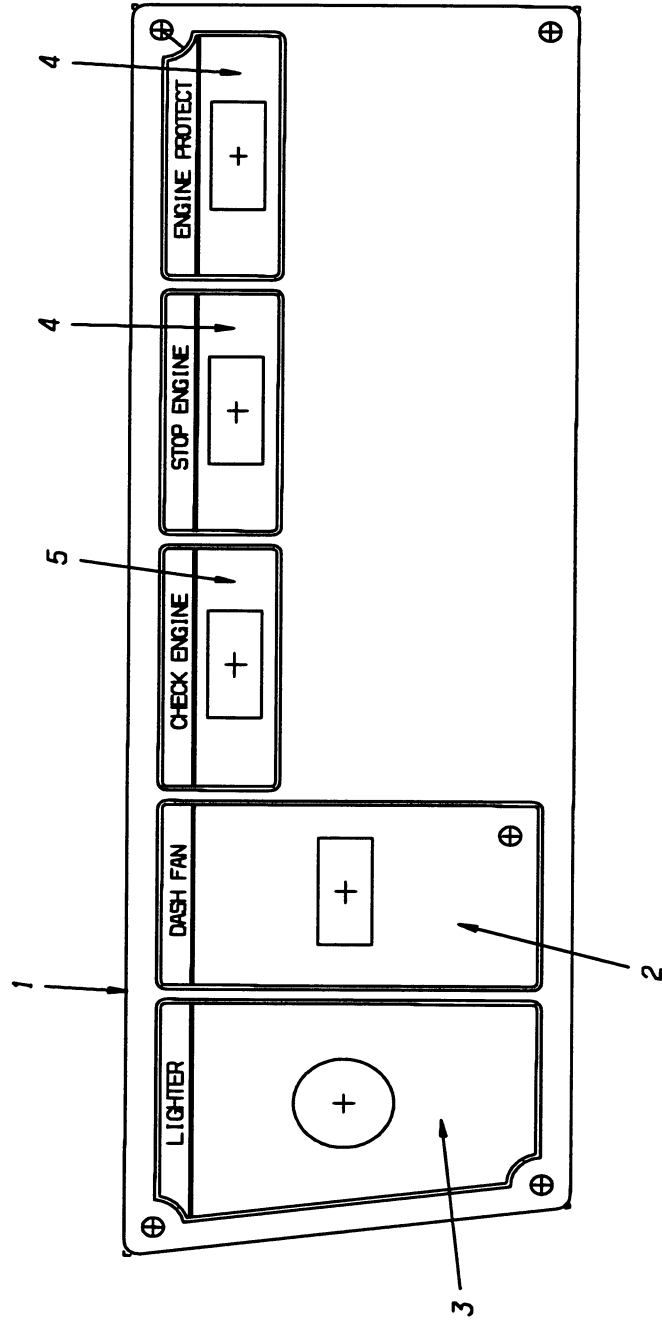
Q4RE

**PANEL, CONTROL, CAB SHIFTER, DD SERIES 60
FEATURE 40190-01
(BEGINNING W/CSN 1001280)**

<u>KEY</u>	<u>PART NO</u>	<u>DESCRIPTION</u>	<u>QTY</u>
NI	6099832	BEZEL, DRIVERS VENT	1
NI	6099840	BEZEL, SHIFTER	1
NI	6101315	PANEL, EL, ARMREST CONTROL	1
NI	6101299	PANEL, CONTROL, ARMREST, M-11 TPAD	1
NI	2271823	LIGHT, INDICATOR, BLUE	1
NI	2268522	SWITCH, DASH, ON-OFF	AR
NI	2268563	SWITCH, DASH, MOM ON-OFF	AR
NI	6079834	LAMP INDICATOR, RED	1
NI	6079842	LAMP, INDICATOR, AMBER	1

Q4RE

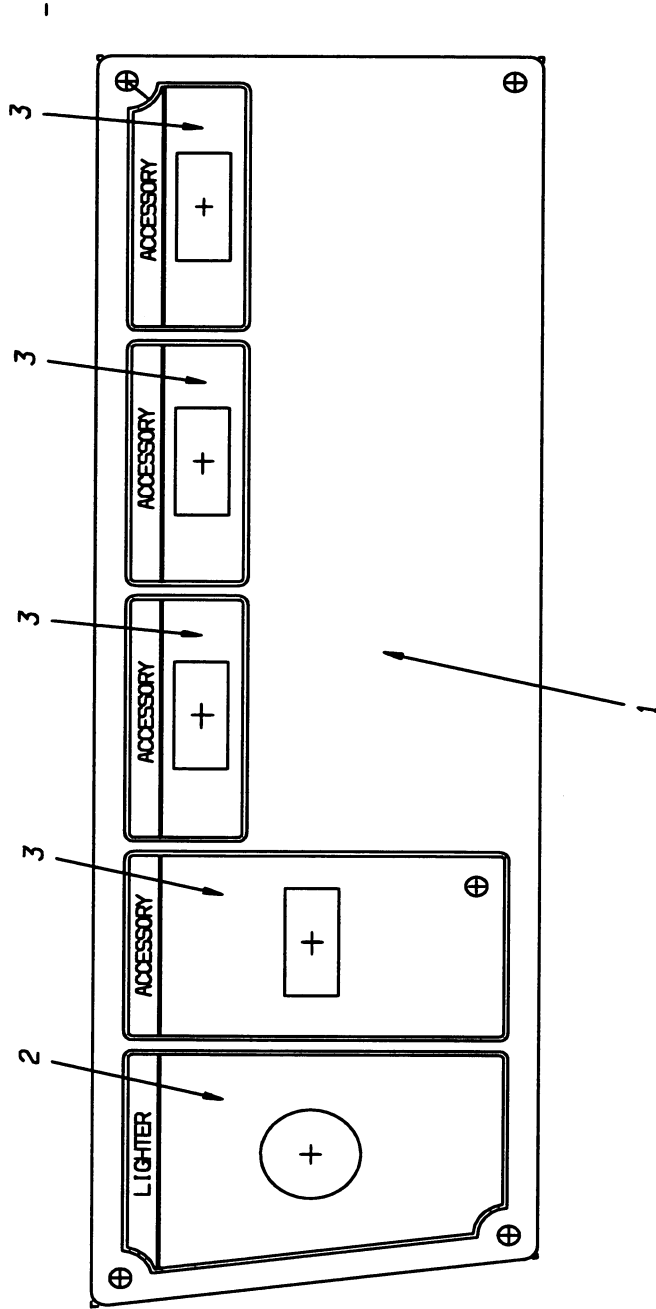
Notes



**PANEL, CONTROL, DASH, RH UPPER, CUMMINS M11
FEATURE 40189-01**

<u>KEY</u>	<u>PART NO</u>	<u>DESCRIPTION</u>	<u>QTY</u>
1	6090633	PANEL, DASH, RH UPPER	1
2	2268522	SWITCH, DASH, ON-OFF	AR
3	2018406	LIGHTER, CIGARETTE	1
4	6079834	LAMP, INDICATOR, RED	AR
5	6079842	LAMP, INDICATOR, AMBER	AR

Q4RE



**PANEL, CONTROL, DASH, RH UPPER, DD SERIES 60
FEATURE 40190-01**

<u>KEY</u>	<u>PART NO</u>	<u>DESCRIPTION</u>	<u>QTY</u>
1	6078489	PANEL, GRAPHICS, RH UPPER	1
2	2018406	LIGHTER, CIGARETTE	1
3	2274165	SWITCH, BLACK	AR

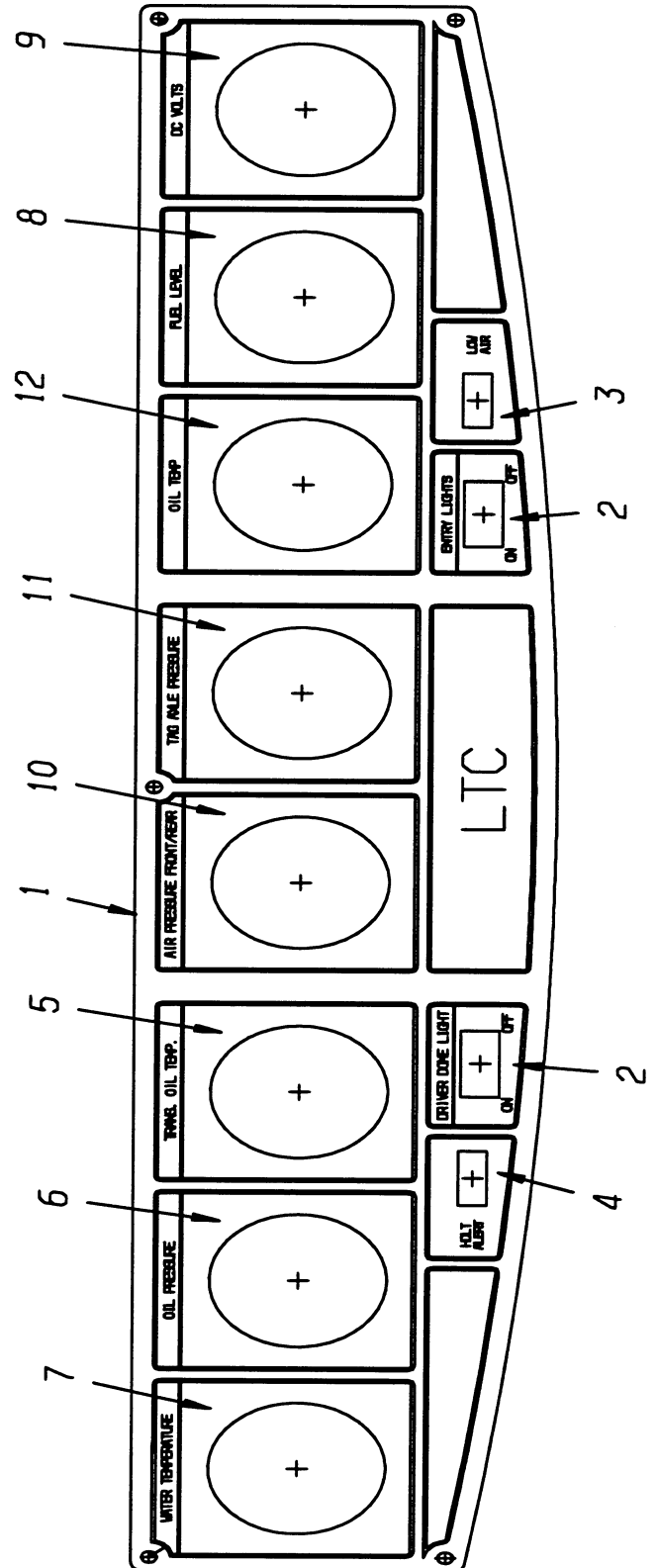
Q4RE



BLUE BIRD

DR. 1/22/99 BY J.L.	---	6090625X	REV
APP. 1/22/99 BY AB	FRT		

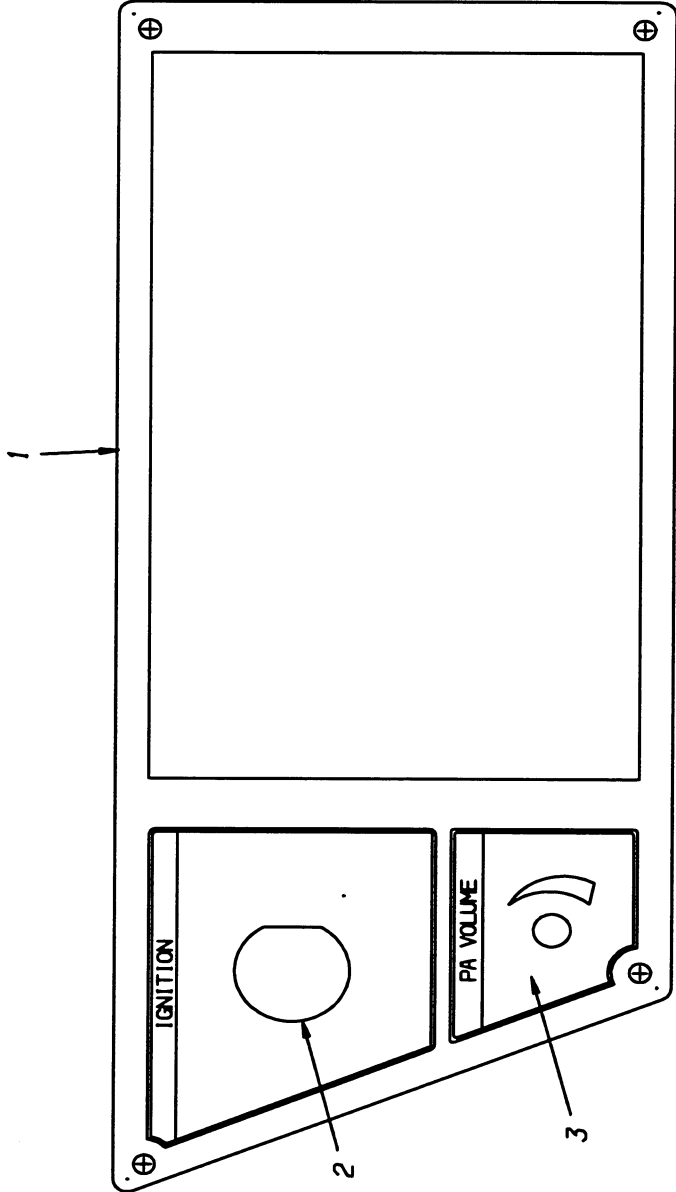
© BLUE BIRD BODY COMPANY. ALL RIGHTS RESERVED



**PANEL, CONTROL, DASH, UPPER
FEATURE 40189-01, CUMMINS M11
FEATURE 40190-01, DD SERIES 60**

<u>KEY</u>	<u>PART NO</u>	<u>DESCRIPTION</u>	<u>QTY</u>
1	6090625	PANEL, DASH, UPPER	1
2	2268522	SWITCH, DASH, ON-OFF	1
3	2271807	LIGHT, PILOT, RED, LEVELING JACK,	2
4	2271823	LIGHT, INDICATOR, AMBER	2
5	6090641	GAUGE, TRANS. TEMP. 400 DEG F	1
6	6090567	GAUGE, OIL PRESSURE, ELECT. 150 PSI	1
7	6090575	GAUGE, WATER TEMP. 250 DEG	1
8	6090591	GAUGE, FUEL LEVEL	1
9	6090658	GAUGE, VOLTMETER 8-16 VOLT	2
10	6079701	GAUGE, PRESSURE, DUAL FRT./REAR	1
11	6090674	GAUGE, AIR PRESSURE, 0-15- PSI	1
12	6090609	GAUGE, OIL TEMP.	1

Q4RE

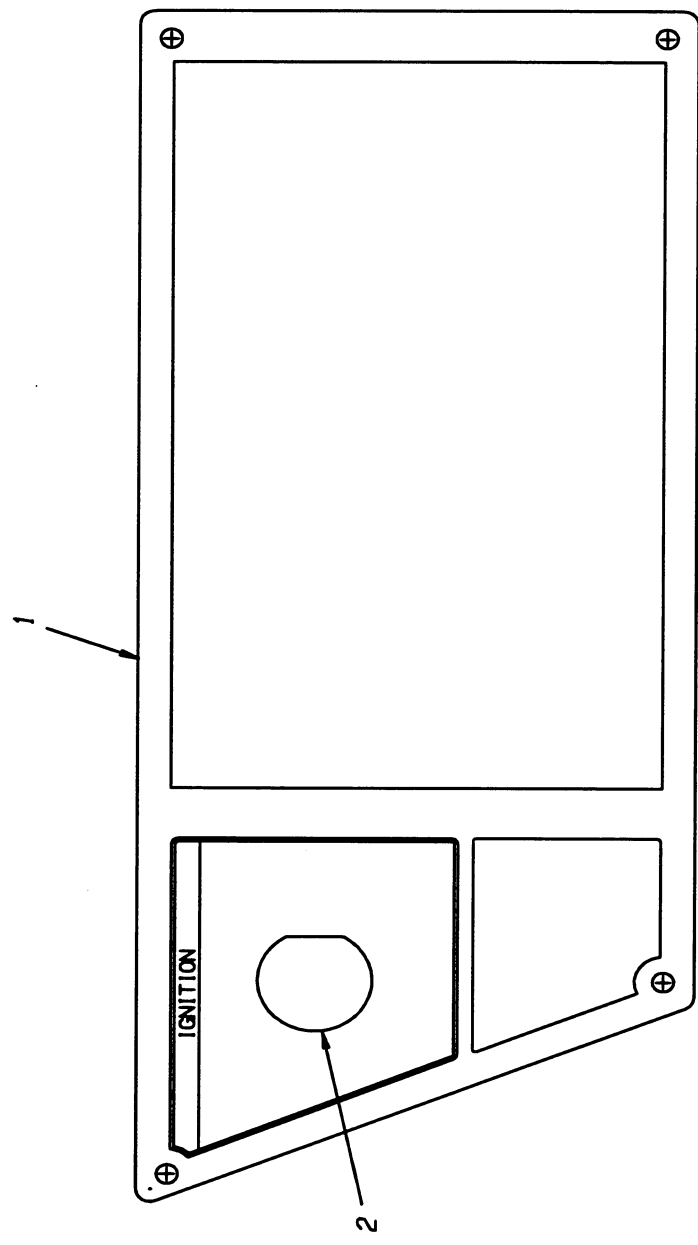


**PANEL, CONTROL, DASH, RH LOWER
FEATURE 40189-01, CUMMINS M11
FEATURE 40190-01, DD SERIES 60**

<u>KEY</u>	<u>PART NO</u>	<u>DESCRIPTION</u>	<u>QTY</u>
1	0006524	PANEL, DASH, RH LOWER	1
2	1249382	SWITCH, IGN, 31-191, PAIRED & KEYED ALIKE	1
3		SWITCH PROVIDED BY REI	
NI	3860244	PLATE, BACKING, IGNITION	1
NI	3958592	PANEL ASSY, REINFORCEMENT, RH LOWER DASH	1

FOR UNITS WITH REI VIDEO SYSTEM

Q4RE



**PANEL, CONTROL, DASH, RH LOWER
FEATURE 40189-01, CUMMINS M11
FEATURE 40190-01, DD SERIES 60**

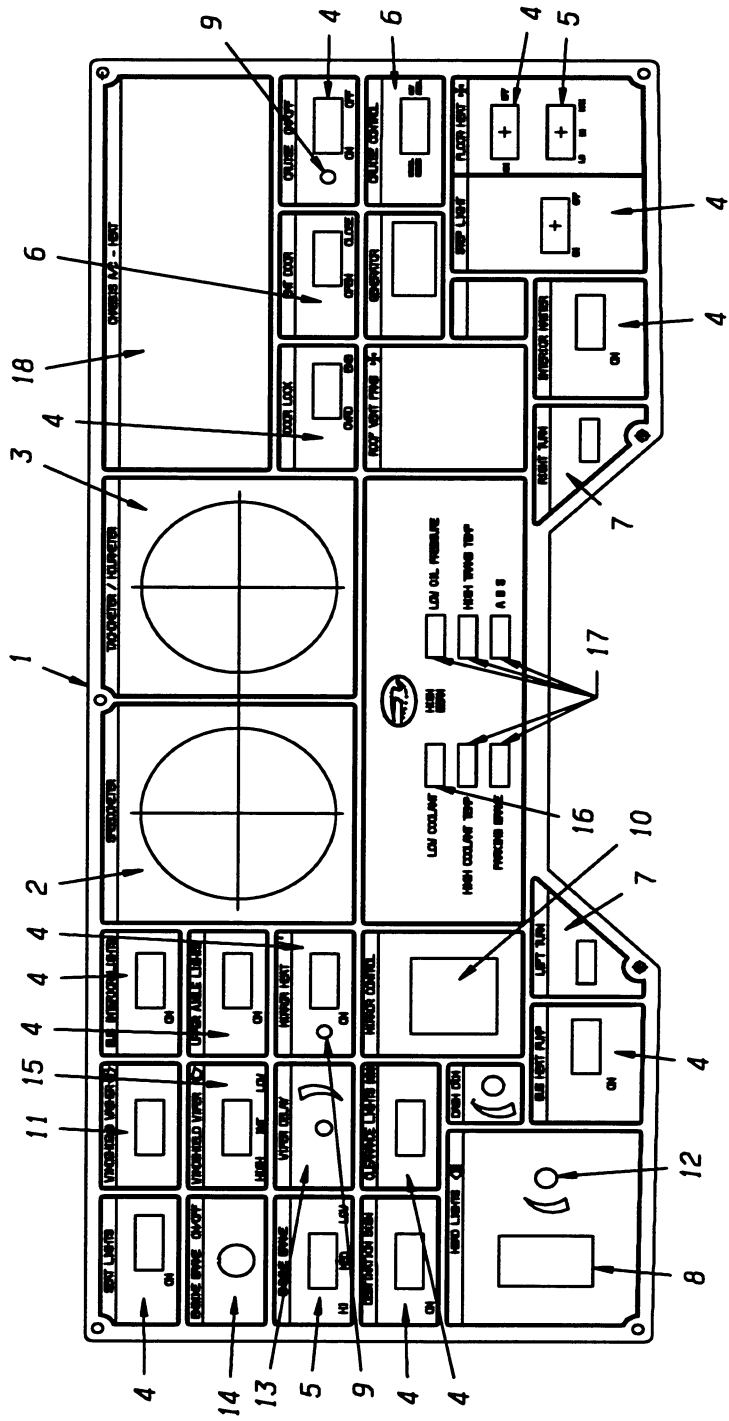
<u>KEY</u>	<u>PART NO</u>	<u>DESCRIPTION</u>	<u>QTY</u>
1	6040059	PANEL, DASH, RH LOWER	1
2	1249382	SWITCH, IGN, 31-191, PAIRED & KEYED ALIKE	1
NI	3860244	PLATE, BACKING, IGNITION	1
NI	3958592	PANEL ASSY, REINFORCEMENT, RH LOWER DASH	1

Q4RE



DR. 1/22/99 BY J.L.	6090617X	REV
APP. 1/22/99 BY AB		
FRT		

© SILE BIRD BODY COMPANY. ALL RIGHTS RESERVED



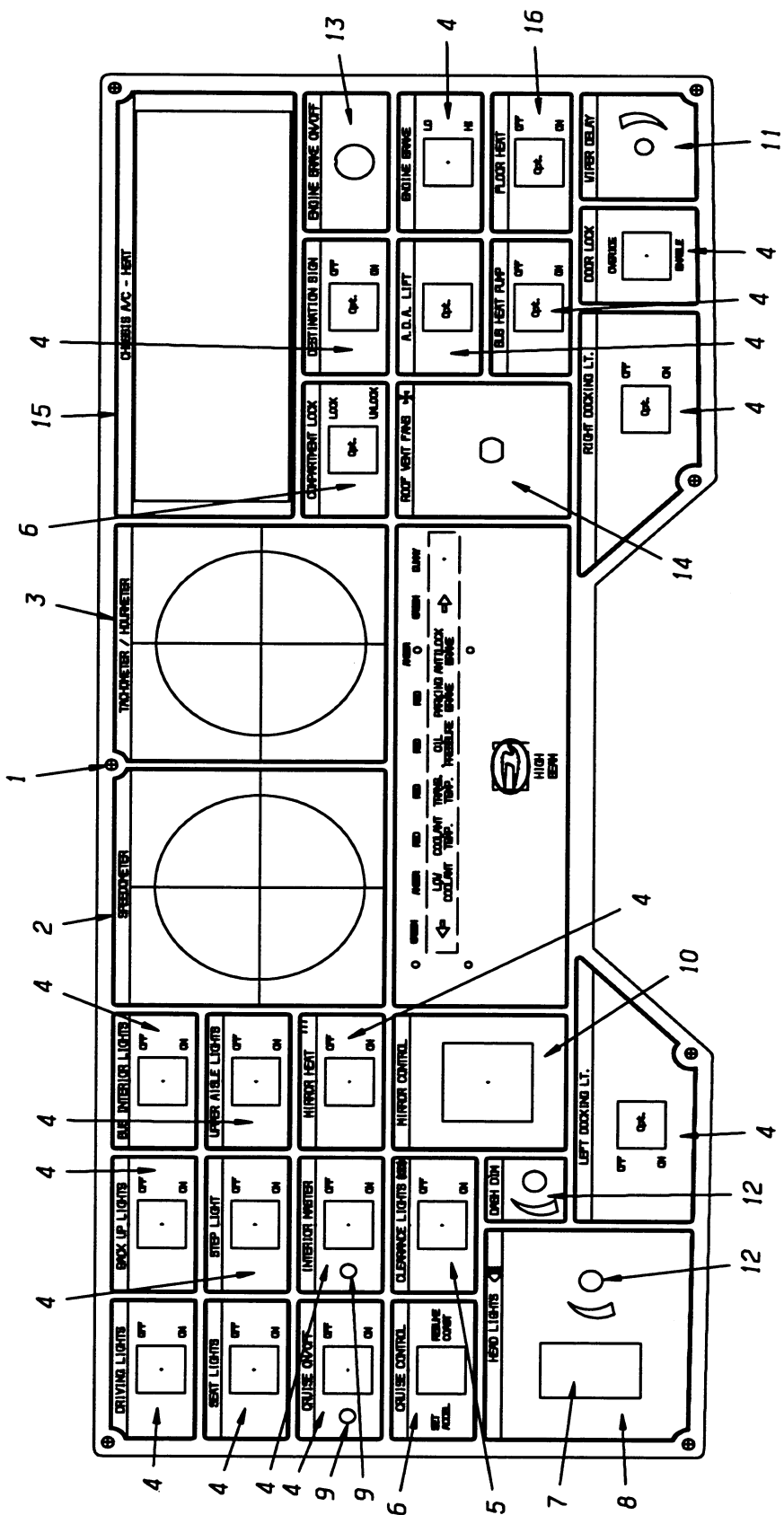
**PANEL, CONTROL, DASH, LOWER
FEATURE 40189-01, CUMMINS M11,
FEATURE 40190-01, DD SERIES 60,
(ENDING W/CSN 10001279)**

<u>KEY</u>	<u>PART NO</u>	<u>DESCRIPTION</u>	<u>QTY</u>
1	6090617	PANEL, DASH LOWER	1
2	6090666	SPEEDOMETER, PROGRAMMABLE, 85MM	1
3	6090682	TACHOMETER W/HOURMETER 85MM	1
4	2268522	SWITCH, DASH ON-OFF	AR
5	2268548	SWITCH, ON-OFF-ON	AR
6	2268563	SWITCH, MOM ON-ON	AR
7	2271955	LIGHT DIRECTIONAL, RECT., GREEN	2
8	3839040	SWITCH, HEADLIGHT, DELCO REMY	1
8	6069728	BRACKET, MTG., HEADLIGHT SWITCH	1
9	3866845	LIGHT, LED	AR
10	3907169	SWITCH, MIRROR POSITION, CTRL	1
11	2268555	SWITCH, DASH MOM ON	1
12	2273928	KNOB, LOWER DASH RHEOSTAT	2
12	6042436	SWITCH, DIMMER 12 VOLT	2
13	3876695	SWITCH, CONTROL, WIPER, INTERMITTENT	1
14	6079768	SWITCH, LIGHTED PUSH BUTTON	1
	6079776	BUTTON, LENS 64S-5	1
	6079784	LAMP MINIATURE, TYPE 382, T	1
15	0005254	SWITCH, ROCKER, SPDT, ON-OFF-ON	1
16	6079842	LAMP, INDICATOR, AMBER	AR
17	6079834	LAMP, INDICATOR, RED	AR
18	4635736	PANEL, CONTROL, A/C	1

Q4RE



DR. 1/22/99 BY J.L.	0000694	A
APP. 1/22/99 BY AB	FRT	REV
© ALL RIGHTS RESERVED		



**PANEL, CONTROL, DASH, LOWER, CUMMINS M11
FEATURE 40189-01
(BEGINNING W/CSN 10001280)**

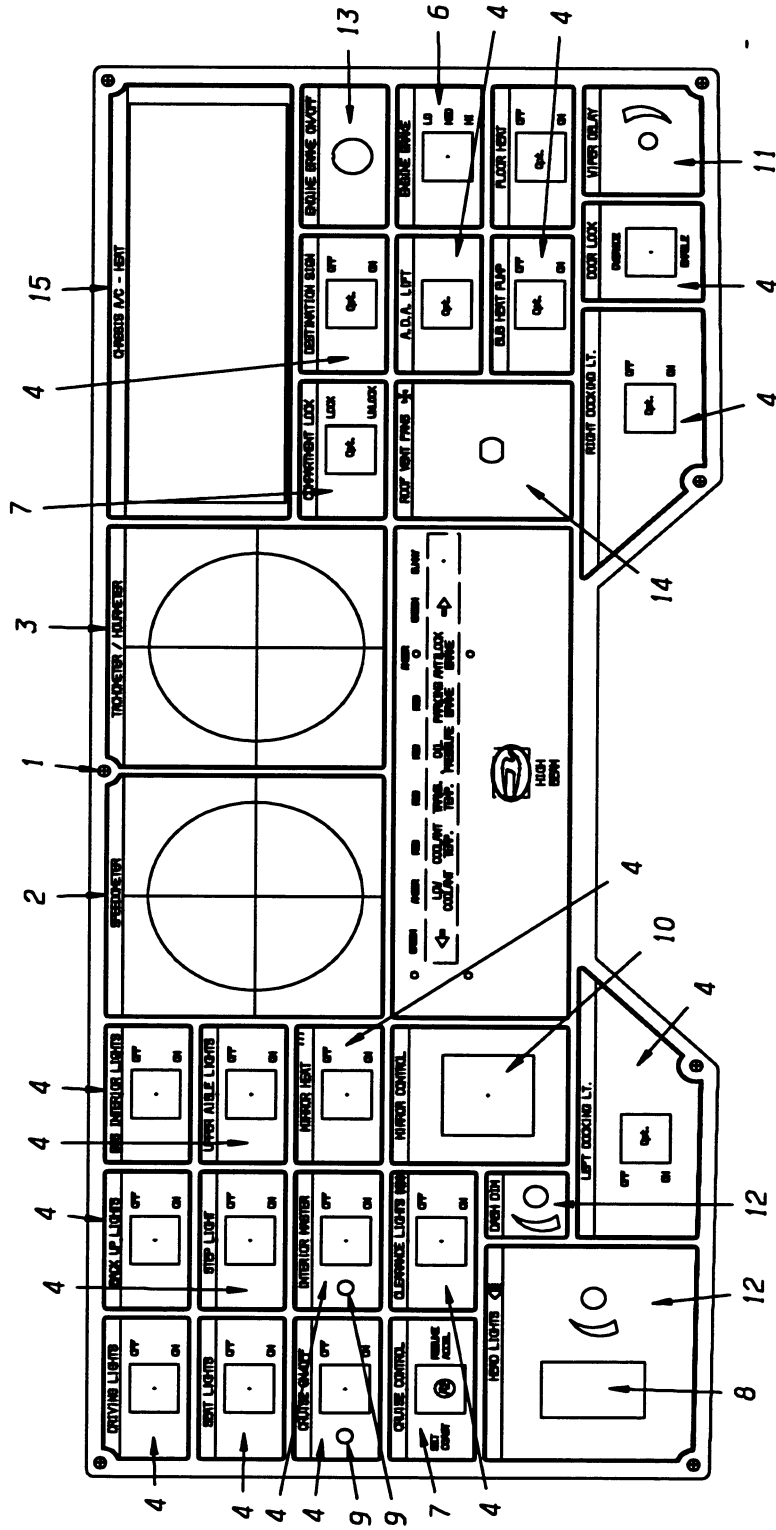
<u>KEY</u>	<u>PART NO</u>	<u>DESCRIPTION</u>	<u>QTY</u>
1	0000694	PANEL, DASH, LOWER, M11	1
2	6090666	SPEEDOMETER, PROG, 85 MM	1
3	6090682	TACHOMETER, PROG, 85 MM	1
4	0001904	SWITCH, ON-OFF	AR
5	0001906	SWITCH, ON-OFF-MOM ON	AR
6	3959111	SWITCH, MOM ON-OFF-MOM ON, DP	AR
7	3839040	SWITCH, HEADLIGHT	1
8	6069728	BRACKET, MTG., HEADLIGHT SWITCH, LOWER DASH	1
9	3866845	LIGHT, LED	2
10	3907169	SWITCH, MIRROR POSITION CTRL	1
11	3876695	SWITCH, CONTROL, WIPER, INTERMITTENT	1
12	2273928	KNOB, LOWER DASH, RHEOSTAT	2
	6042436	SWITCH, DIMMER, 12 VOLT	2
13	6079768	SWITCH, LIGHTED, PUSH BUTTON	1
	6079776	BUTTON, LENS	1
	6079784	LAMP, MINIATURE, TYPE 382, T 1 3/4	1
14	1043207	SWITCH, 2 SPEED RESISTOR	AR
	1045897	KNOB VENT FAN SWITCH	1
15	4635736	PANEL, CONTROL, A/C	1
16		SWITCH PROVIDED BY VENDOR	

Q4RE



DR. 1/22/99 BY J.L.	6100861	B
APP. 1/22/99 BY AB	FRT	REV

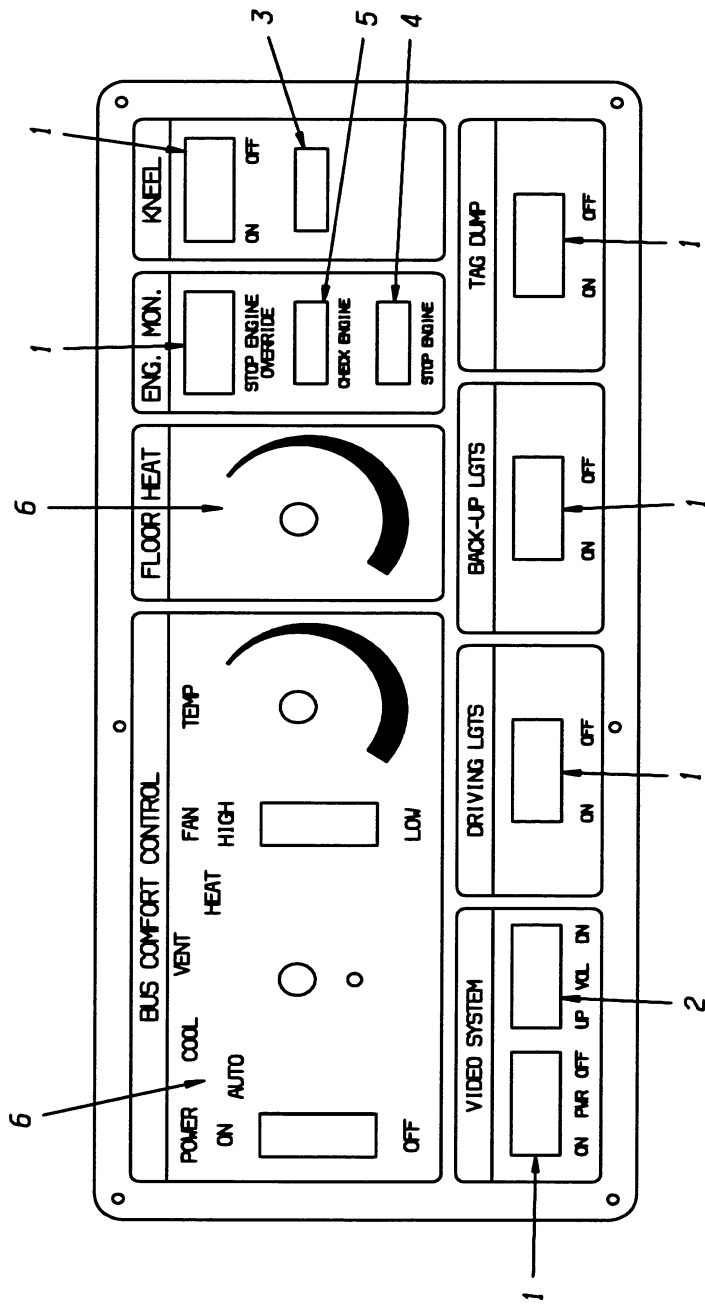
© ALL RIGHTS RESERVED



**PANEL, CONTROL, DASH, LOWER
DD SERIES 60, FEATURE 40190-01
(BEGINNING W/CSN 10001280)**

<u>KEY</u>	<u>PART NO</u>	<u>DESCRIPTION</u>	<u>QTY</u>
1	6100861	PANEL, DASH, LOWER, DDEC	1
2	6090666	SPEEDOMETER, PROG, 85MM	1
3	6090682	TACHOMETER, PROG, 85MM	1
4	0001904	SWITCH, ON-ON	AR
5	0001906	SWITCH, ON-OFF-MOM ON	1
6	0001905	SWITCH, ON-OFF-ON	1
7	3959111	SWITCH, MOM ON-OFF-MOM ON DP	1
8	3839040	SWITCH, HEADLIGHT	1
8	6069728	BRACKET, MTG., HEADLIGHT SWITCH, LOWER DASH	1
9	3866845	LIGHT, LED	2
10	3907169	SWITCH, MIRROR POSITION CTRL	1
11	3876695	SWITCH, CONTROL, WIPER, INTERMITTENT	1
12	2273928	KNOB, LOWER DASH, RHEOSTAT	2
	6042436	SWITCH, DIMMER 12 VOLT	2
13	6079768	SWITCH, LIGHTED, PUSH BUTTON	1
	6079776	BUTTON, LENS	1
	6079784	LAMP, MINIATURE, TYPE 382, T 1 3/4	1
14	1043207	SWITCH, 2 SPEED RESISTOR	1
	1045897	KNOB VENT FAN SWITCH	1
15	4635736	PANEL CONTROL AC HEATER SWITCH PROVIDED BY VENDOR	1

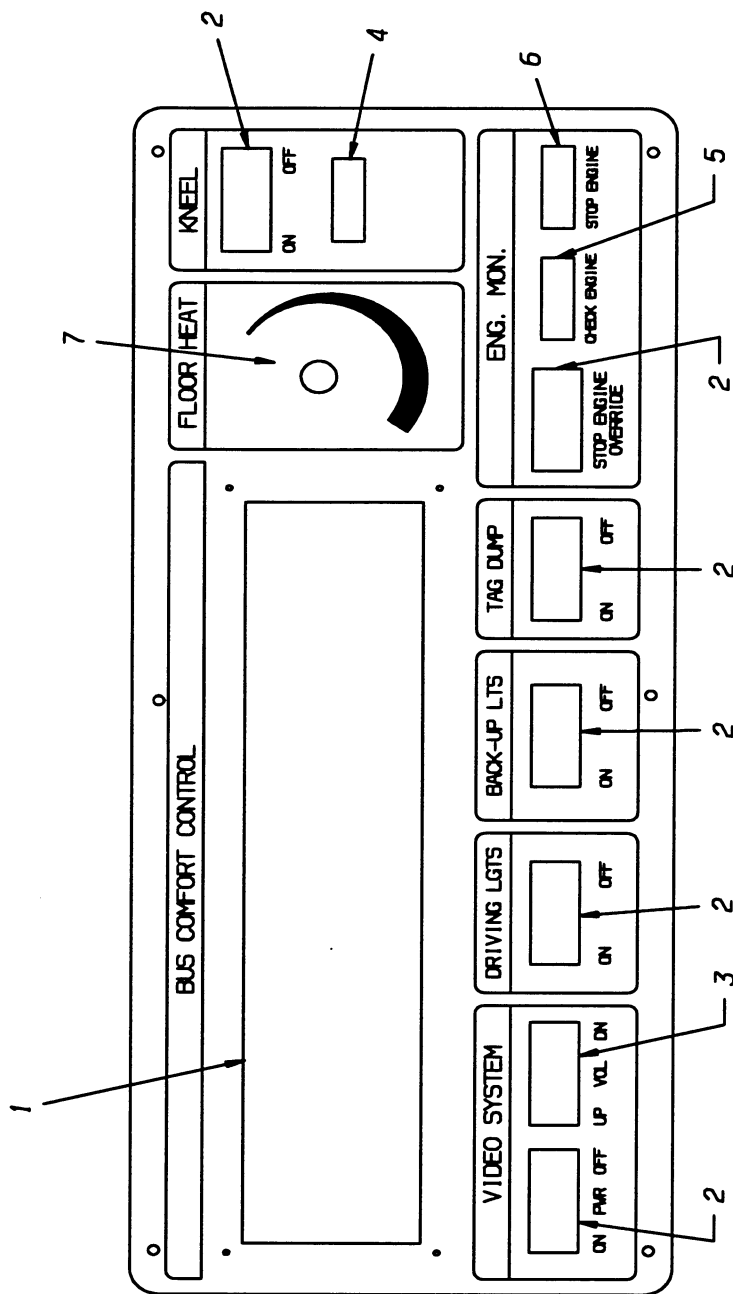
Q4RE



**PANEL, CONTROL, ARMREST, LTC, T2 PAD
(ENDING W/CSN 1000308)**

<u>KEY</u>	<u>PART NO</u>	<u>DESCRIPTION</u>	<u>QTY</u>
	6097893	PANEL, CONTROL, ARMREST, LTC, T2 TPAD	
	6097901	CUMMINS M11 (FEATURE 40189-01)	
		DETROIT DIESEL (FEATURE 40190-01)	
1	2268522	SWITCH DASH OFF-ON	AR
2	2268563	SWITCH MOM ON-ON	1
3	2271823	LIGHT INDICATOR, BLUE	
4	6079834	LAMP INDICATOR, RED (NOT APPLICABLE WITH M11)	
5	6079842	LAMP INDICATOR, AMBER (NOT APPLICABLE WITH M11)	
6		SWITCH PROVIDED BY VENDOR	

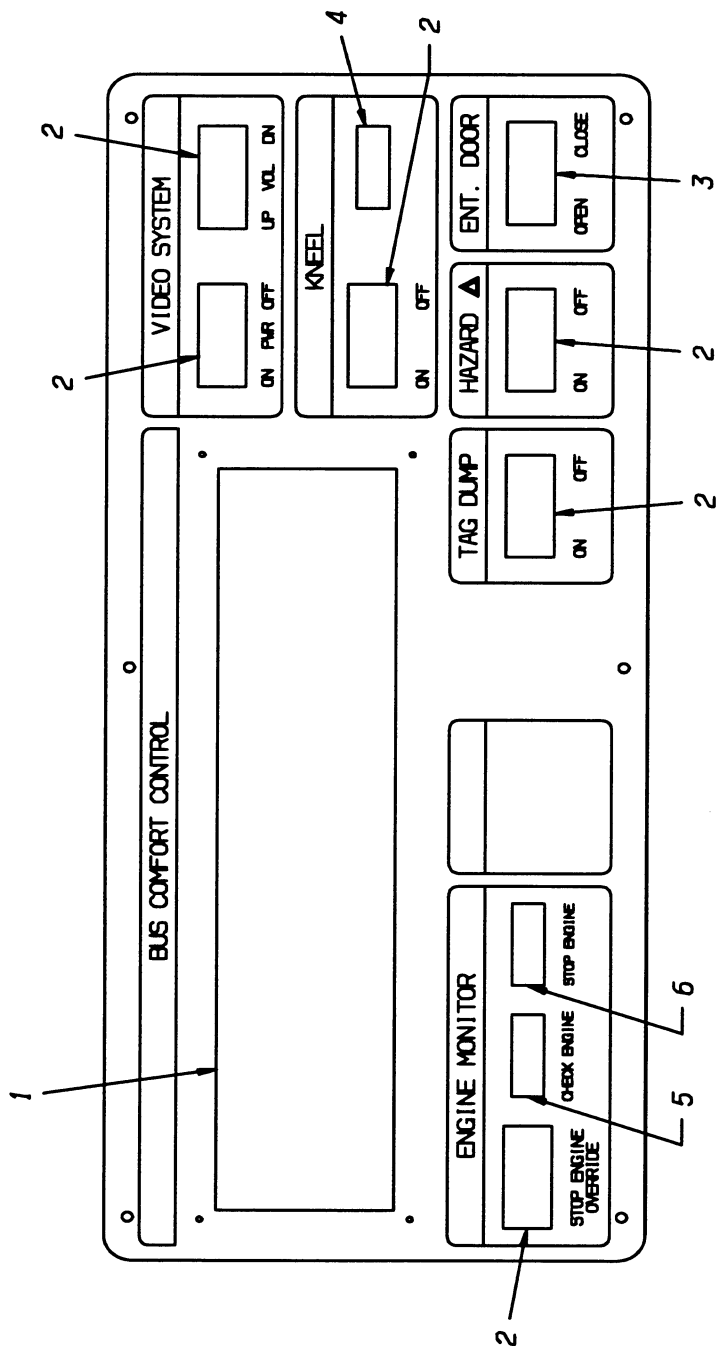
Q4RE-I



**PANEL, CONTROL, ARMREST, LTC, T2 PAD
(FROM CSN 1000309 TO CSN 10001279)**

<u>KEY</u>	<u>PART NO</u>	<u>DESCRIPTION</u>	<u>QTY</u>
	4655122	PANEL, CONTROL, ARMREST, LTC, T2 TPAD	
	4655130	DETROIT DIESEL (FEATURE 40190-01)	
	4655130	CUMMINS M11 (FEATURE 40189-01)	
1	4635736	PANEL CONTROL A/C	
2	2268522	SWITCH DASH OFF-ON	AR
3	2268563	SWITCH MOM ON-ON	1
4	2271823	LIGHT INDICATOR, BLUE	
5	6079842	LAMP INDICATOR, AMBER (NOT APPLICABLE WITH M11)	
6	6079834	LAMP INDICATOR, RED (NOT APPLICABLE WITH M11)	
7		SWITCH PROVIDED BY VENDOR	

Q4RE

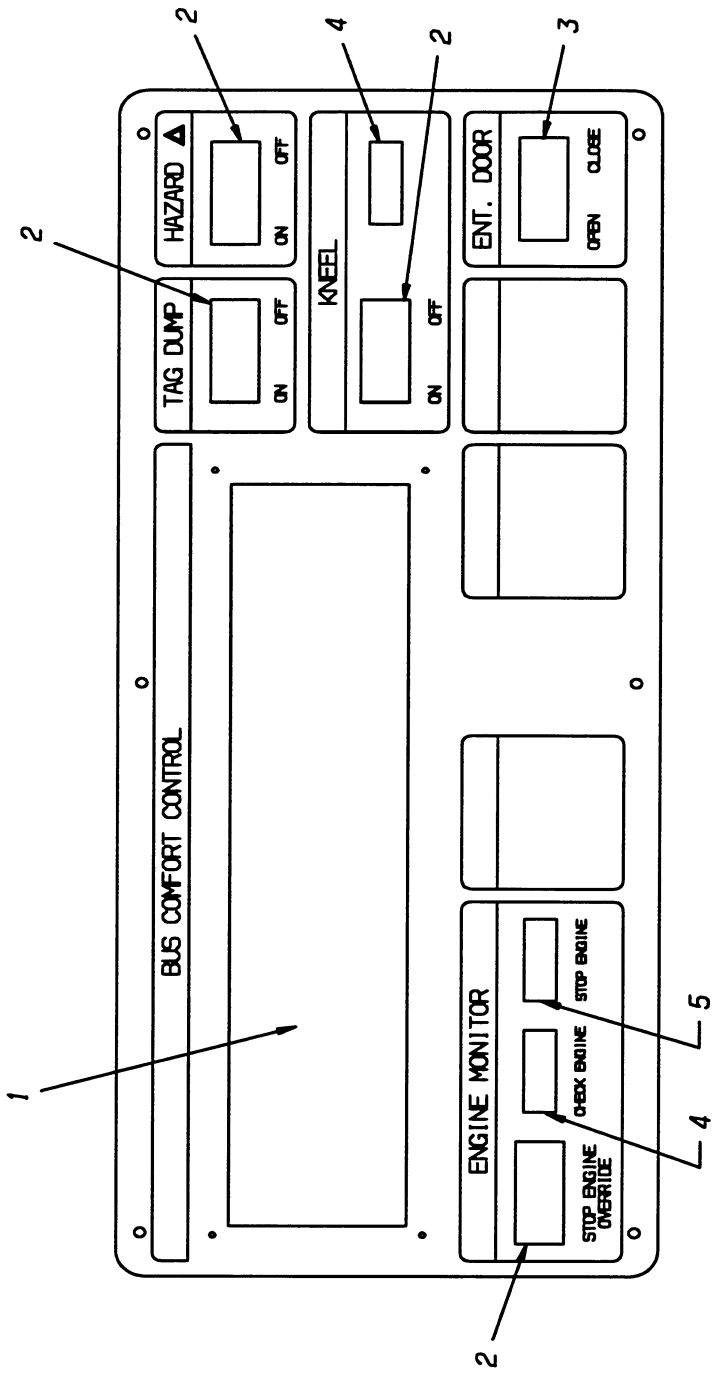


***PANEL, CONTROL, ARMREST, T2 PAD
(BEGINNING W/CSN 10001280)**

<u>KEY</u>	<u>PART NO</u>	<u>DESCRIPTION</u>	<u>QTY</u>
	6101307	PANEL, CONTROL, ARMREST, LTC, T2 TPAD	
	6101299	CUMMINS M11 (FEATURE 40189-01)	
	6101299	DETROIT DIESEL (FEATURE 40190-01)	
1	4635736	PANEL CONTROL A/C	
2	2268522	SWITCH DASH OFF-ON	AR
3	2268563	SWITCH MOM ON-ON	1
4	2271823	LIGHT INDICATOR, BLUE	
5	6079842	LAMP INDICATOR, AMBER (NOT APPLICABLE WITH M11)	
6	6079834	LAMP INDICATOR, RED (NOT APPLICABLE WITH M11)	

***FOR UNITS WITH CUSTOM RADIO SYSTEM**

Q4RE



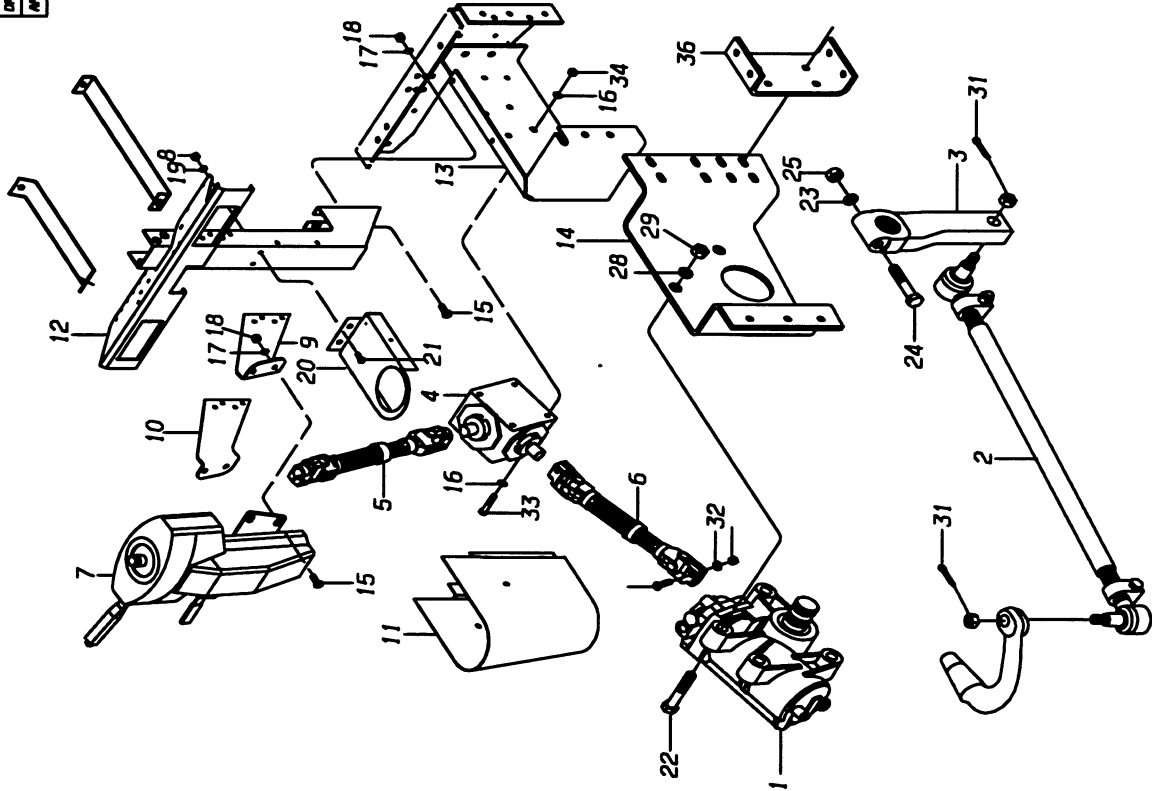
**#PANEL, CONTROL, ARMREST, T2 PAD
(BEGINNING W/CSN 10001280)**

<u>KEY</u>	<u>PART NO</u>	<u>DESCRIPTION</u>	<u>QTY</u>
		PANEL, CONTROL, ARMREST, LTC, T2 TPAD	
	6101307	CUMMINS M11 (FEATURE 40189-01)	
	6101299	DETROIT DIESEL (FEATURE 40190-01)	
1	4635736	PANEL CONTROL A/C	
2	2268522	SWITCH DASH OFF-ON	AR
3	2268563	SWITCH MOM ON-ON	1
4	2271823	LIGHT INDICATOR, BLUE (NOT APPLICABLE WITH M11)	
5	6079842	LAMP INDICATOR, AMBER (NOT APPLICABLE WITH M11)	

#FOR UNITS WITH REI VIDEO SYSTEMS

Q4RE

DR. 12/18/97 BY	1995117	REV.
APP. 12/18/97 BY	PRT.	
© 1995 HONEYWELL INTERNATIONAL, INC. ALL RIGHTS RESERVED.		



**STEERING SYSTEM
(ENDING W/CSN 10001182)**

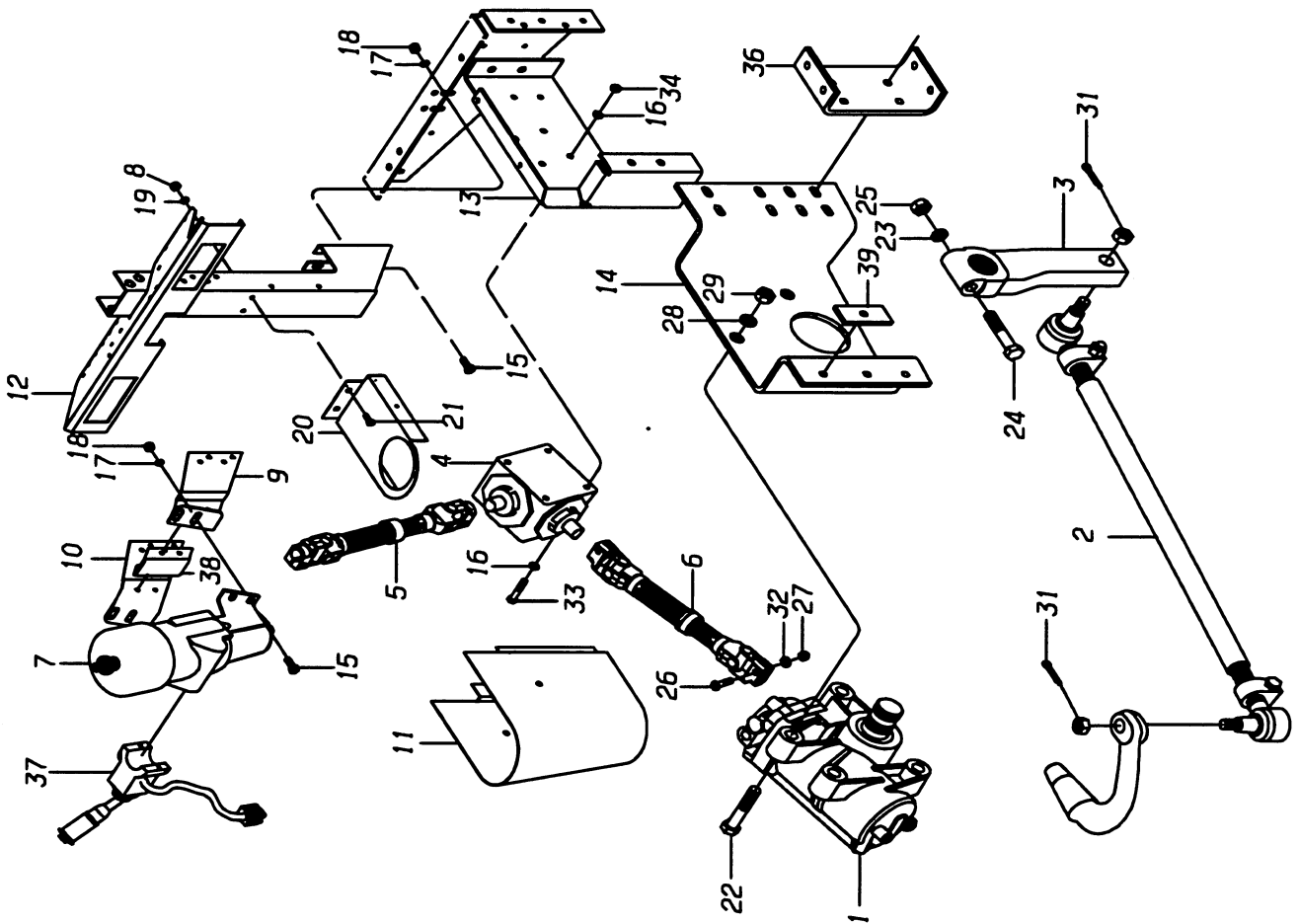
<u>KEY</u>	<u>PART NO</u>	<u>DESCRIPTION</u>	<u>QTY</u>
1	1970458	GEAR, POWER STEERING	
2	1970748	DRAG ROD ASSY, VERT JOINT	
3	1928308	ARM, PITMAN, 2.25X59 SERRATION X 11.25	
4	1928266	GEAR BOX,TRANSFER,STEERING, 90DEG,1:1R	
5	1958719	SHAFT ASSY, SLIP, STRG, COL TO TRANS BOX	
6	1885532	SHAFT ASSY, SLIP, STRG,TRANS BOX TO STRG	
7	1948835	COLUMN ASSY, TILT/TELE, FACE MTG BRKT	
NI	6095228	WHEEL, STEERING	
NI	1537620	BUTTON, HORN	
8	0659979	NUT, HEX, FLANGE SER, 1/4-20	15
9	1992031	BRACKET, MTG, STEERING COLUMN, RH	
10	1992049	BRACKET, MTG, STEERING COLUMN, LH	
11	1990571	CLOSEOUT, STEERING COLUMN	
12	1988120	POST ASSY, STEERING COLUMN	
13	1948843	BRACKET, MTG,TRANSFER BOX, STEERING GEAR	
14	1928274	BRACKET, MTG, STEERING GEAR	
15	0559195	CAPSCREW, HEX HD, 3/8-16 X 1, GR 8	20
16	1107085	WASHER, FLAT, 13/32 X 13/16 X 3/32	20
17	0882795	LOCKWASHER, SPLIT RING, 3/8	14
18	2001451	NUT, HEX HD, 3/8-16	18
19	1247709	WASHER, FLAT, 17/64 ID X 5/8	15
20	1990589	BRACKET ASSY, CLOSEOUT, SHAFT ASSY, STRG	
21	0977132	CAPSCREW, HEX HD, 1/4-20 X 3/4	15
22	1886449	CAPSCREW, HEX HD, 7/8-9 X 3 1/2, GR8	4
23	0607036	WASHER, FLAT, 13/16 X 1 3/8 X 7/64	
24	1021815	CAPSCREW, HEX HD,3/4-10 X4 1/2, GR8	
25	0933879	NUT,HEX HD, 3/4-10, PRVLG TORQ, GR8	5
26	1916980	CAPSCREW, HEX HD, 7/16-14 X 1 3/4	4
27	0997080	NUT, HEX HD, 7/16-14, LOCKING, GR 8	4
28	1011428	WASHER, FLAT, 3/32 X 1 3/4 X 9/64, HDN	4
29	1886456	NUT, HEX HD, 7/8-9, PRVLG TORQ, GR8	4
31	1420744	PIN, COTTER, 5/32 DIA X 1 1/2 LONG	2
32	2028546	WASHER, FLAT, 7/16 X 1 1/32 X 5/64	4
33	1928290	CAPSCREW, HEX HD, 3/8-16 X 4, GR8	4
34	0826297	NUT, HEX HD, 3/8-16 LOCK	4
NI	1226174	INSULATION, INSTRUMENT PANEL POST	
36	1791698	CHANNEL, ATTACHING, STEERING GEAR	
NI	1406065	SWITCH ASSY, TURN SIGNAL, SELF CANCELLING	

Q4RE-I



DR. 10/5/98 BY NM	0002188	C
APP. 10/5/98 BY HT	FRT	REV

© BALE BIRD BODY COMPANY. ALL RIGHTS RESERVED



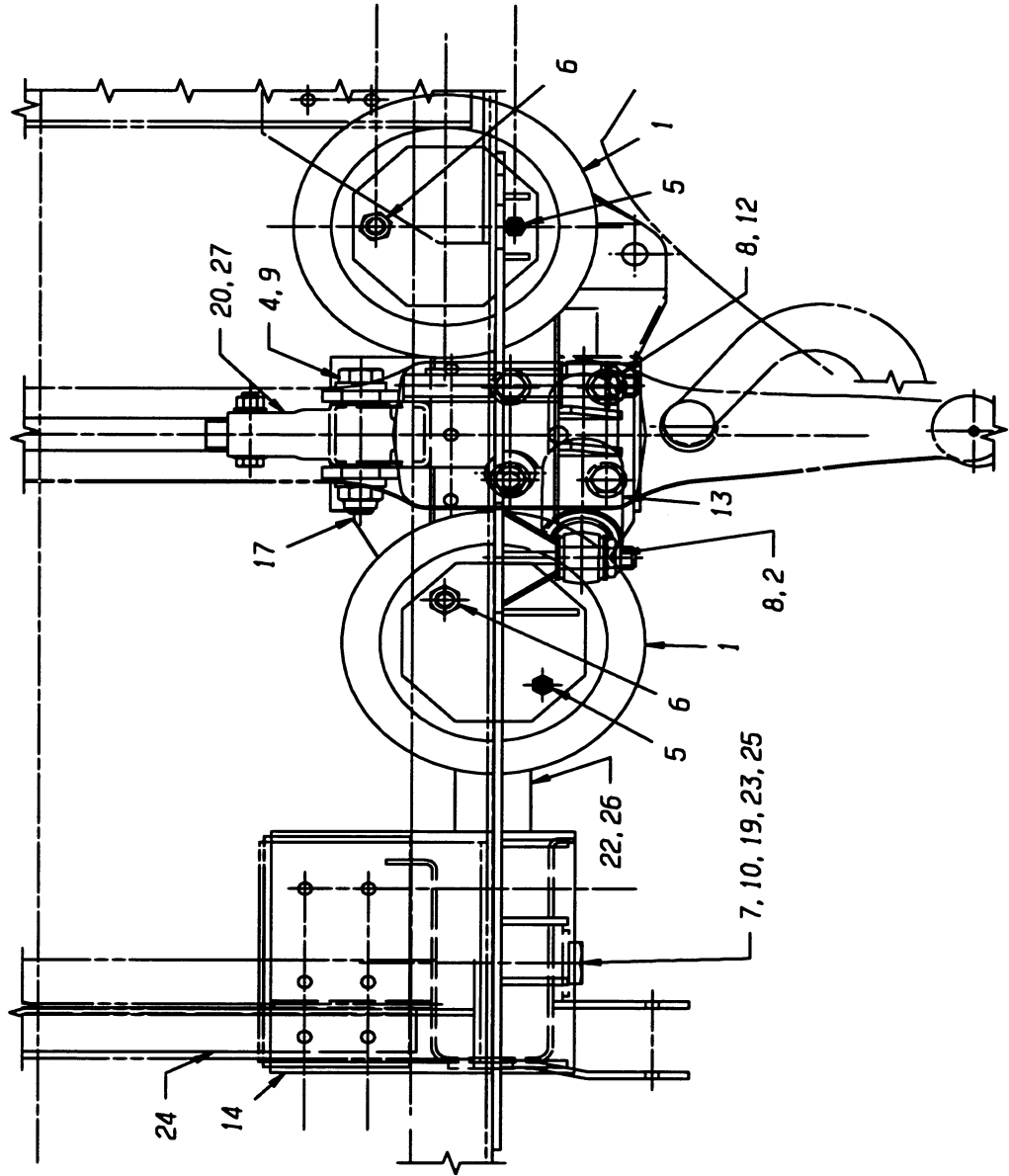
**STEERING SYSTEM
(BEGINNING W/CSN 10001183)**

<u>KEY</u>	<u>PART NO</u>	<u>DESCRIPTION</u>	<u>QTY</u>
1	1970458	GEAR, POWER STEERING	1
2	1970748	DRAG ROD ASSY, VERT JOINT	1
3	1928308	ARM, PITMAN, 2.25X59 SERRATION X 11.25	1
4	1928266	GEAR BOX, TRANSFER, STEERING, 90DEG, 1:1R	1
5	1958719	SHAFT ASSY, SLIP, STRG ,COL TO TRANS BOX	1
6	1885532	SHAFT ASSY, SLIP, STRG, TRANS BOX TO STRG	1
7	1320332	COLUMN ASSY, TILT/TELE, FACE MTG BRKT	1
NI	3882453	WHEEL, STEERING	1
NI	3841335	KNOB, LOCKING, TELESCOPING STEERING COLUMN	
NI	1537620	BUTTON, HORN	1
8	0659979	NUT, HEX, FLANGE SER, 1/4-20	15
9		BRACKET, MTG, STEERING COLUMN, RH	1
	0010637	(ENDING W/CSN 0012359)	1
	0002939	(BEGINNING W/CSN 0012360)	1
10		BRACKET,MTG,STEERING COLUMN,LH	1
	0010645	(ENDING W/CSN 0012359)	1
	0002940	(BEGINNING W/CSN 0012360)	1
11	0002933	CLOSEOUT, STEERING COLUMN	1
12	1988120	POST ASSY, STEERING COLUMN	1
13	0010629	BRACKET, MTG, TRANSFER BOX, STEERING GEAR	1
14	1928274	BRACKET, MTG, STEERING GEAR	1
15	0559195	CAPSCREW, HEX HD, 3/8-16 X 1, GR 8	12
16	1107085	WASHER, FLAT, 13/32 X 13/16 X 3/32	20
17	0882795	LOCKWASHER, SPLIT RING, 3/8	14
18	2001451	NUT, HEX HD, 3/8-16	18
19	1247709	WASHER, FLAT, 17/64 ID X 5/8	15
20	0002929	BRACKET ASSY, CLOSEOUT, SHAFT ASSY, STRG	1
21	0977132	CAPSCREW, HEX HD, 1/4-20 X 3/4	15
22	1886449	CAPSCREW, HEX HD, 7/8-9 X 3 1/2, GR8	4
23	0607036	WASHER, FLAT, 13/16 X 1 3/8 X 7/64	1
24	1021815	CAPSCREW, HEX HD, 3/4-10 X4 1/2, GR8	1
25	0933879	NUT, HEX HD, 3/4-10, PRVLG TORQ, GR8	5
26	1916980	CAPSCREW, HEX HD, 7/16-14 X 1 3/4	4
27	0997080	NUT, HEX HD, 7/16-14, LOCKING, GR 8	4
28	1011428	WASHER, FLAT, 3/32 X 1 3/4 X 9/64, HDN	4
29	1886456	NUT, HEX HD, 7/8-9, PRVLG TORQ, GR8	4
31	1420744	PIN, COTTER, 5/32 DIA X 1 1/2 LONG	2
32	2028546	WASHER, FLAT, 7/16 X 1 1/32 X 5/64	4
33	1928290	CAPSCREW, HEX HD, 3/8-16 X 4, GR8	4
34	0826297	NUT, HEX HD, 3/8-16 LOCK	4
NI	1226174	INSULATION, INSTRUMENT PANEL POST	1
36	1791698	CHANNEL,ATTACHING, STEERING GEAR	1
37	1995513	SWITCH ASSY, TURN SIGNAL ,SELF CANCELLING	1
38		BRACE STEERING COLUMN	1
	0010660	(ENDING W/CSN 0000929)	1
	0002934	(BEGINNING W/CSN 0012360)	1
39	0010652	SPACER	1
NI	1321728	COVER STEERING COLUMN UPPER MODIFIED	1
NI	1403989	COVER STEERING COLUMN LOWER MODIFIED	1



DR. 1/23/99 BY J.L.	18962821	H
APP. 1/23/99 BY AB	PRT	REV

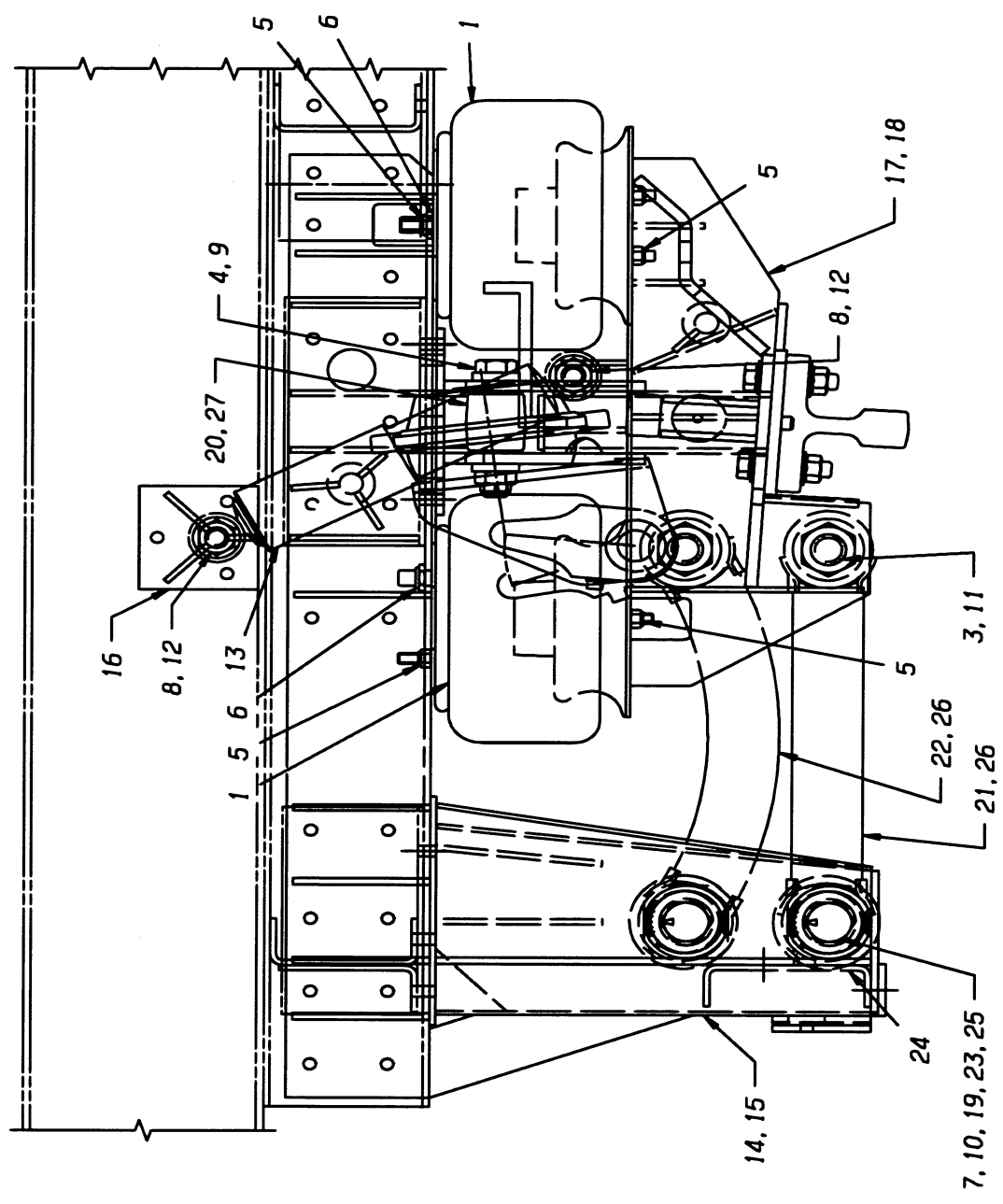
© BLUE BIRD BODY COMPANY. ALL RIGHTS RESERVED



AIR SUSPENSION, FRONT

<u>KEY</u>	<u>PART NO</u>	<u>DESCRIPTION</u>	<u>QTY</u>
1	0008802	AIR SPRING	4
2	0961474	BUSHING SHOCK 1" ID	8
3		BOLT 1-1/2 6NC 7LG (1130670B105)	4
4	0008803	BOLT 1" 8NC 6LH 1-1/4 THR	2
5		LOCKNUT 1/2 13NC NYLON INSERT (1150555B112)	12
6		LOCKNUT 3/4 16 NF HEX JAM-THIN (1154700B102)	4
7		LOCKNUT 1-1/4 7NC SPS FLEX LOCK (1155648B105)	4
8	0008804	LOCKNUT 1 8NC THIN NYLON INSERT	4
9	0008806	LOCKNUT 1" NC SPS FLEX LOCK	2
10		WASHER/SHIM 12GA COATED (1160519B903)	8
11	0961417	LOCKWASHER 1-1/2 INT TOOTHLOCK	4
12		WASHER 1 SAE FLAT (1161677B100)	4
13	0008807	SHOCK ASSY	2
14		HANGER RAIL ASSY RAS-227 LH (3097249C104)	
15		HANGER RAIL ASSY RAS-227 RH (3097249C204)	
16	0008808	SHOCK BRKT ASSY	
17		LOWER BEAM ASSY RAS-227 LH (4257249D104)	
18		LOWER BEAM ASSY RAS-227 RH (4257249D204)	
19	0961487	ECCENTRIC BOLT ASSY	4
20	0008809	SWAY BAR ASSY (INCLUDES THE FOLLOWING INDENTED ITEMS)	
NI	4317301	BUSHING-SWAY BAR	2
NI	2122208	RH END ASSY, TORQUE ROD	
NI	2122216	LH END ASSY, TORQUE ROD	
21	1064385	TORQUE BEAM ASSY STR 18"	2
22	4317319	TORQUE BEAM ASSY CVD 18"	2
23		CLAMPING PLATE (7401494B000)	4
24		CROSS CHANNEL 30" LONG (8176105C305)	
25	0961375	ANTI TURN WASHER	4
26	4317285	BUSHING 4-7/16X1-1/2 70D	AR
27	4317301	BUSHING 3" LONG 1" ID	AR

Q4RE



AIR SUSPENSION, FRONT

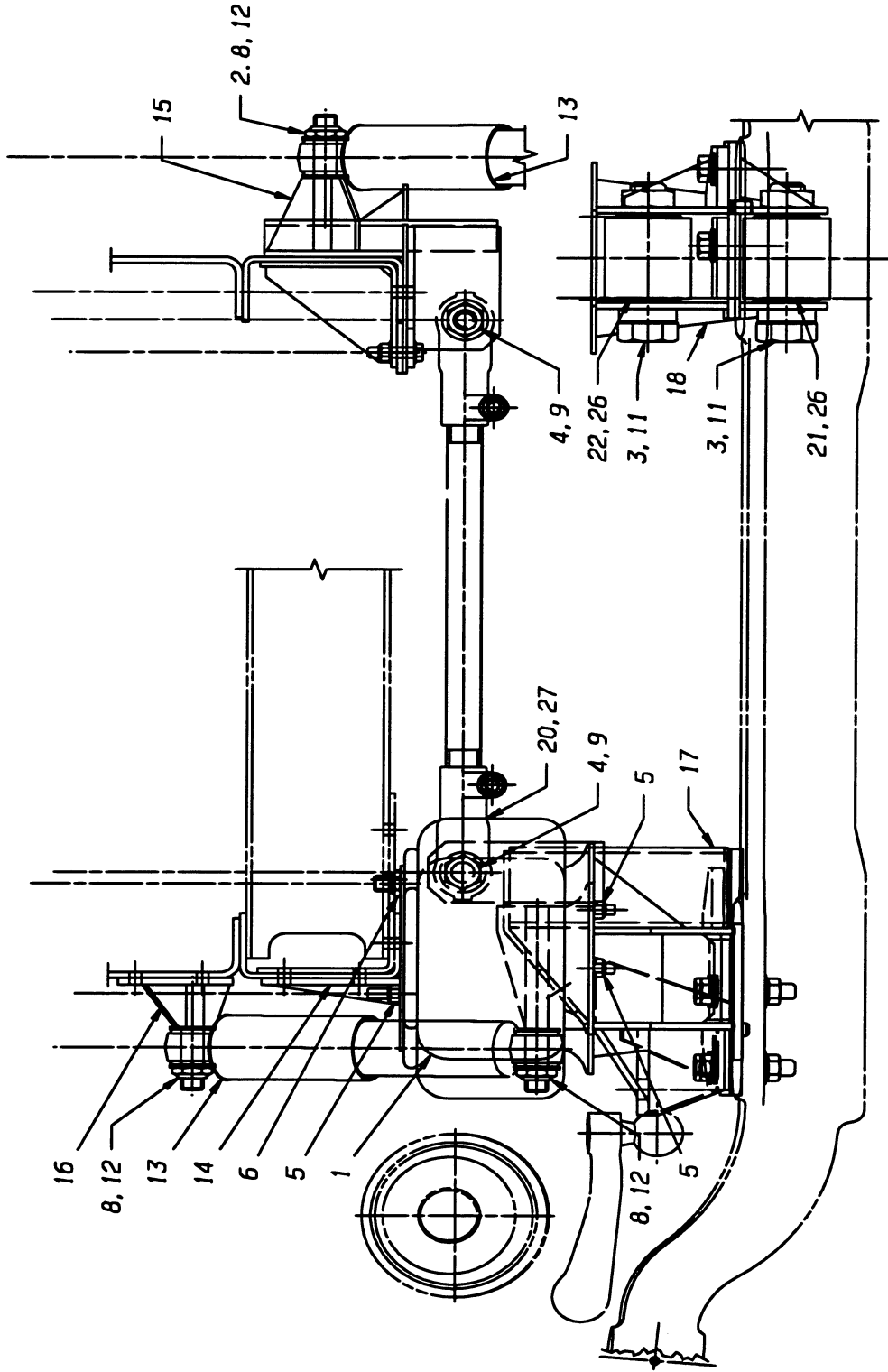
<u>KEY</u>	<u>PART NO</u>	<u>DESCRIPTION</u>	<u>QTY</u>
1	0008802	AIR SPRING	4
2	0961474	BUSHING SHOCK 1" ID	8
3		BOLT 1-1/2 6NC 7LG (1130670B105)	4
4	0008803	BOLT 1" 8NC 6LH 1-1/4 THR	2
5		LOCKNUT 1/2 13NC NYLON INSERT (1150555B112)	12
6		LOCKNUT 3/4 16 NF HEX JAM-THIN (1154700B102)	4
7		LOCKNUT 1-1/4 7NC SPS FLEX LOCK (1155648B105)	4
8	0008804	LOCKNUT 1 8NC THIN NYLON INSERT	4
9	0008806	LOCKNUT 1" NC SPS FLEX LOCK	2
10		WASHER/SHIM 12GA COATED (1160519B903)	8
11	0961417	LOCKWASHER 1-1/2 INT TOOTHLOCK	4
12		WASHER 1 SAE FLAT (1161677B100)	4
13	0008807	SHOCK ASSY	2
14		HANGER RAIL ASSY RAS-227 LH (3097249C104)	
15		HANGER RAIL ASSY RAS-227 RH (3097249C204)	
16	0008808	SHOCK BRKT ASSY	
17		LOWER BEAM ASSY RAS-227 LH (4257249D104)	
18		LOWER BEAM ASSY RAS-227 RH (4257249D204)	
19	0961487	ECCENTRIC BOLT ASSY	4
20	0008809	SWAY BAR ASSY (INCLUDES THE FOLLOWING INDENTED ITEMS)	
NI	4317301	BUSHING-SWAY BAR	2
NI	2122208	RH END ASSY, TORQUE ROD	
NI	2122216	LH END ASSY, TORQUE ROD	
21	1064385	TORQUE BEAM ASSY STR 18"	2
22	4317319	TORQUE BEAM ASSY CVD 18"	2
23		CLAMPING PLATE (7401494B000)	4
24		CROSS CHANNEL 30" LONG (8176105C305)	
25	0961375	ANTI TURN WASHER	4
26	4317285	BUSHING 4-7/16X1-1/2 70D	AR
27	4317301	BUSHING 3" LONG 1" ID	AR

Q4RE



DR. 1/23/99	BY J.	18062823	H
APP. 1/23/99	BY AB	PRT	REV

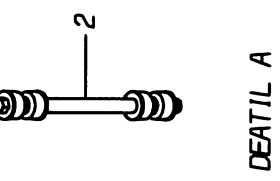
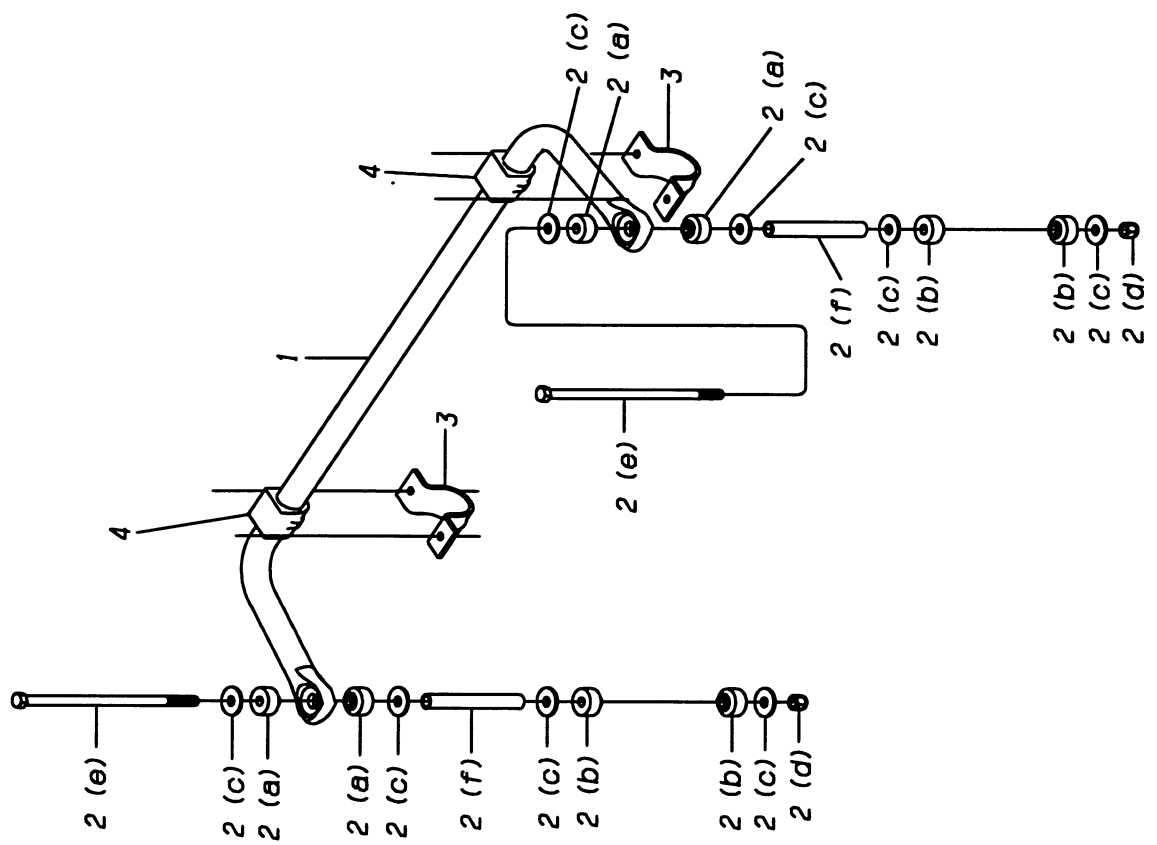
© BLUE BIRD BODY COMPANY, ALL RIGHTS RESERVED



AIR SUSPENSION, FRONT

<u>KEY</u>	<u>PART NO</u>	<u>DESCRIPTION</u>	<u>QTY</u>
1	0008802	AIR SPRING	4
2	0961474	BUSHING SHOCK 1" ID	8
3		BOLT 1-1/2 6NC 7LG (1130670B105)	4
4	0008803	BOLT 1" 8NC 6LH 1-1/4 THR	2
5		LOCKNUT 1/2 13NC NYLON INSERT (1150555B112)	12
6		LOCKNUT 3/4 16 NF HEX JAM-THIN (1154700B102)	4
7		LOCKNUT 1-1/4 7NC SPS FLEX LOCK (1155648B105)	4
8	0008804	LOCKNUT 1 8NC THIN NYLON INSERT	4
9	0008806	LOCKNUT 1" NC SPS FLEX LOCK	2
10		WASHER/SHIM 12GA COATED (1160519B903)	8
11	0961417	LOCKWASHER 1-1/2 INT TOOTHLOCK	4
12		WASHER 1 SAE FLAT (1161677B100)	4
13	0008807	SHOCK ASSY	2
14		HANGER RAIL ASSY RAS-227 LH (3097249C104)	
15		HANGER RAIL ASSY RAS-227 RH (3097249C204)	
16	0008808	SHOCK BRKT ASSY	
17		LOWER BEAM ASSY RAS-227 LH (4257249D104)	
18		LOWER BEAM ASSY RAS-227 RH (4257249D204)	
19	0961487	ECCENTRIC BOLT ASSY	4
20	0008809	SWAY BAR ASSY (INCLUDES THE FOLLOWING INDENTED ITEMS)	
NI	4317301	BUSHING-SWAY BAR	2
NI	2122208	RH END ASSY, TORQUE ROD	
NI	2122216	LH END ASSY, TORQUE ROD	
21	1064385	TORQUE BEAM ASSY STR 18"	2
22	4317319	TORQUE BEAM ASSY CVD 18"	2
23		CLAMPING PLATE (7401494B000)	4
24		CROSS CHANNEL 30" LONG (8176105C305)	
25	0961375	ANTI TURN WASHER	4
26	4317285	BUSHING 4-7/16X1-1/2 70D	AR
27	4317301	BUSHING 3" LONG 1" ID	AR

Q4RE



STABILIZER BAR, FRONT SUSPENSION

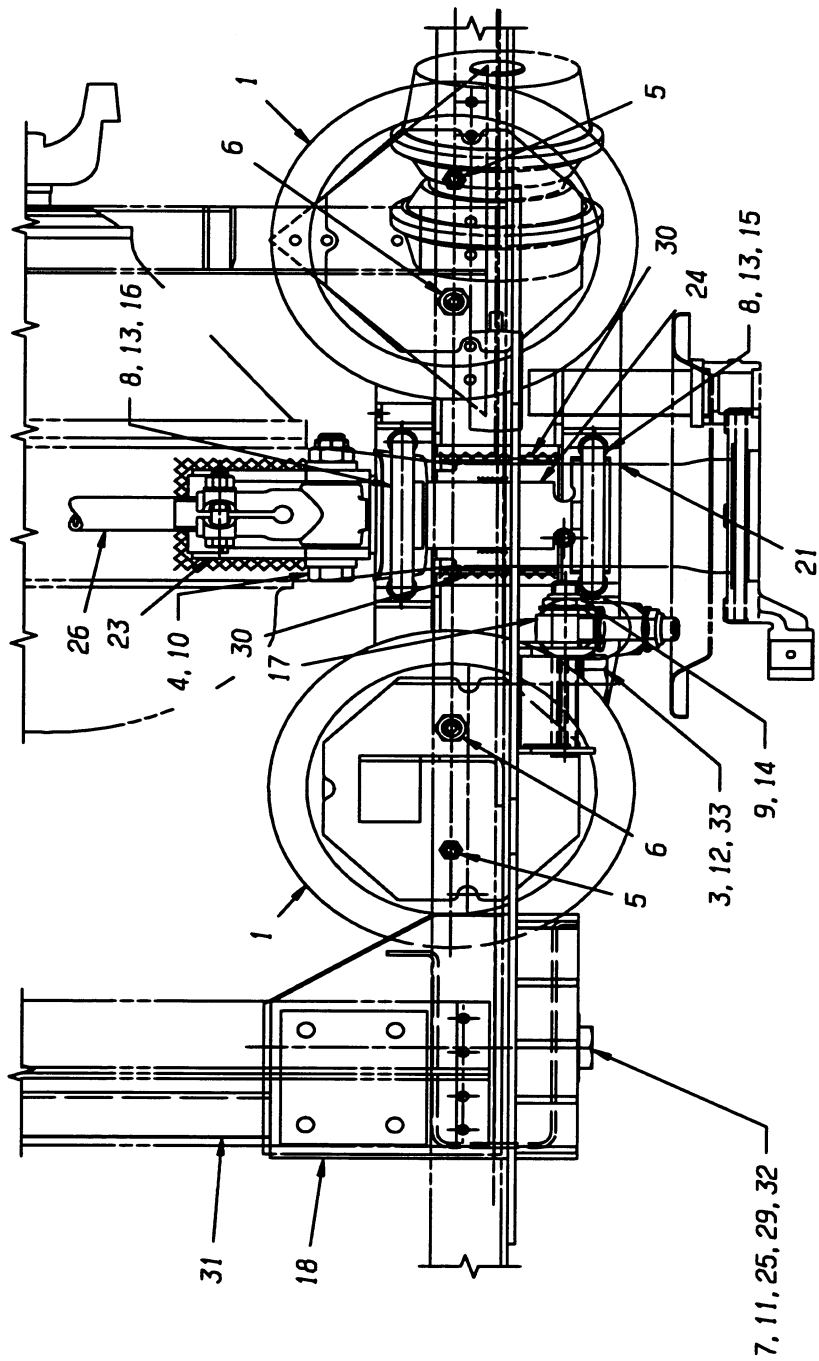
<u>KEY</u>	<u>PART NO</u>	<u>DESCRIPTION</u>	<u>QTY</u>
1	1982933	KIT, SWAY BAR (SWAY BAR NOT SERVICED SEPARATELY)	
2	8317975	ENLINK, SWAY BAR	2
3	0009226	MIDSECTION BRACKET 4.5" HOLE SPACING	2
4	8315301	MIDSECTION BUSHING (GREASE INSIDE ONLY)	2

Q4RE



DR. 1/22/99	BY J.L.	19544521	B
APP. 1/22/99	BY AB	PRT	REV

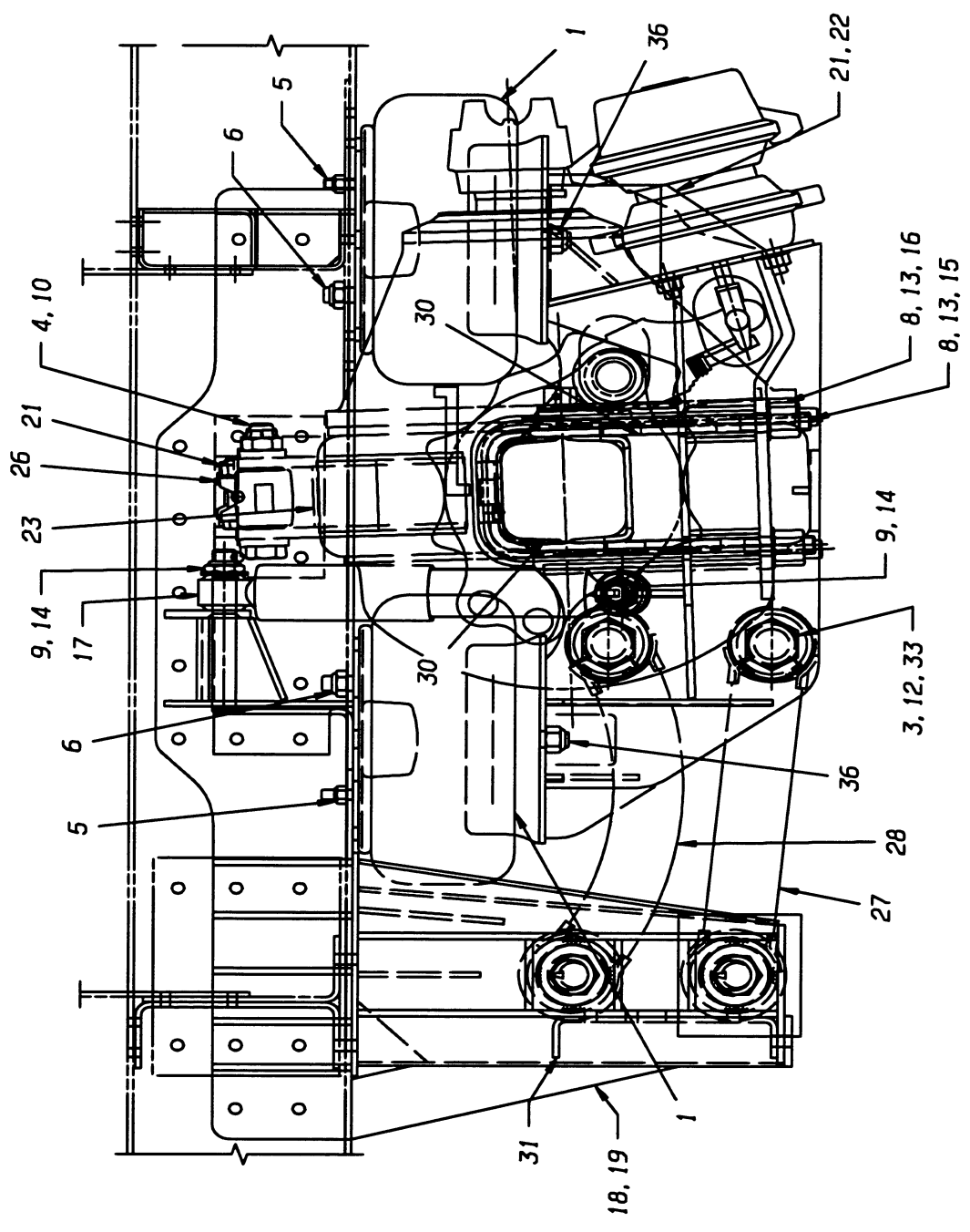
© BLUE BIRD BODY COMPANY, ALL RIGHTS RESERVED



**REAR AIR SUSPENSION
(ENDING W/CSN 1000111)**

<u>KEY</u>	<u>PART NO</u>	<u>DESCRIPTION</u>	<u>QTY</u>
1	0008798	AIR SPRING	4
3		BOLT 1-1/2" 6NC 7" LG (1130670B105)	4
4		BOLT 1" 8NC 6" LG 1-1/4" THR (1135711B108)	2
5		LOCKNUT 1/2" 13NC NYLON INSERT (1150555B112)	4
6		LOCKNUT 3/4" 16NF HEX JAM-THIN (1154700B102)	4
7		LOCKNUT 1-1/4" 7NC SPS FLEX (1155648B105)	4
8		NUT 7/8 14NF TALL (1155876B108)	8
9		LOCKNUT 1" 8NC NI-THIN (1155939B102)	4
10		LOCKNUT 1" SPS FLEX LOCK (1157492B105)	2
11		WASHER/SHIM 12GA COATED (1160519B903)	8
12		LOCKWASHER 1-1/2" INT TOOTH (1160673B000)	4
13		WASHER 7/8" A-325 FLAT (1160868B100)	8
14		WASHER 1" SAE FLAT (1161677B100)	4
15		U-BOLT 7/8 14 NF 5.25"X13.5" W/1"R (1173532B362)	2
16		U-BOLT 7/8 14 (1173532B363)	
17	1962430	SHOCK, ABSORBER, KONI, TAG	
18		HANGER RAIL ASSY RAD-227 LH/BB (3105761C100)	
19		HANGER RAIL ASSY RAD-227 RH/BB (3105761C200)	
20	1087360	SWAY BAR MTG BRKT 1" PIN 3" BSHG	
21		LOWER BEAM ASSY LH J-230 (4265761D132)	
22		LOWER BEAM ASSY RH J-230(4265761D232)	
23	0008799	SWAY BAR AX BRKT J230	
24		UB SPA J230 (4645761B230)	2
25		ECCENTRIC BOLT ASSY. (5001458B000)	4
26	0008800	SWAY BAR ASSY (INCLUDES THE FOLLOWING INDENTED ITEMS)	
NI	4317301	BUSHING-SWAY BAR	2
NI	2122208	RH END ASSY, TORQUE ROD	
NI	2122216	LH END ASSY, TORQUE ROD	
27		TORQUE BEAM ASSY. STR (5055892B000)	2
28		TORQUE BEAM ASSY CVD (5065893B000)	2
29		CLAMPING PLATE 3.5" SQ 1.25" ID (7401494B000)	4
30		PLATE 3/16X1X4-1/2 A-36 (7506903V330)	4
31		CROSS CHANNEL (8176105C301)	
32		ANTI TURN WASHER (9003092B000)	4
33		LOCKING PLATE (9004565B000)	4
34		BUSHING 4-7/17 X 1-1/2 (1110512B000)	42
35		BUSHING 3" LG 1" ID (1117195B000)	45
36	0008801	LOCKNUT 3/4" 13 NC NYLON INSERT	4

Q4RE



**REAR AIR SUSPENSION
(ENDING W/CSN 10000111)**

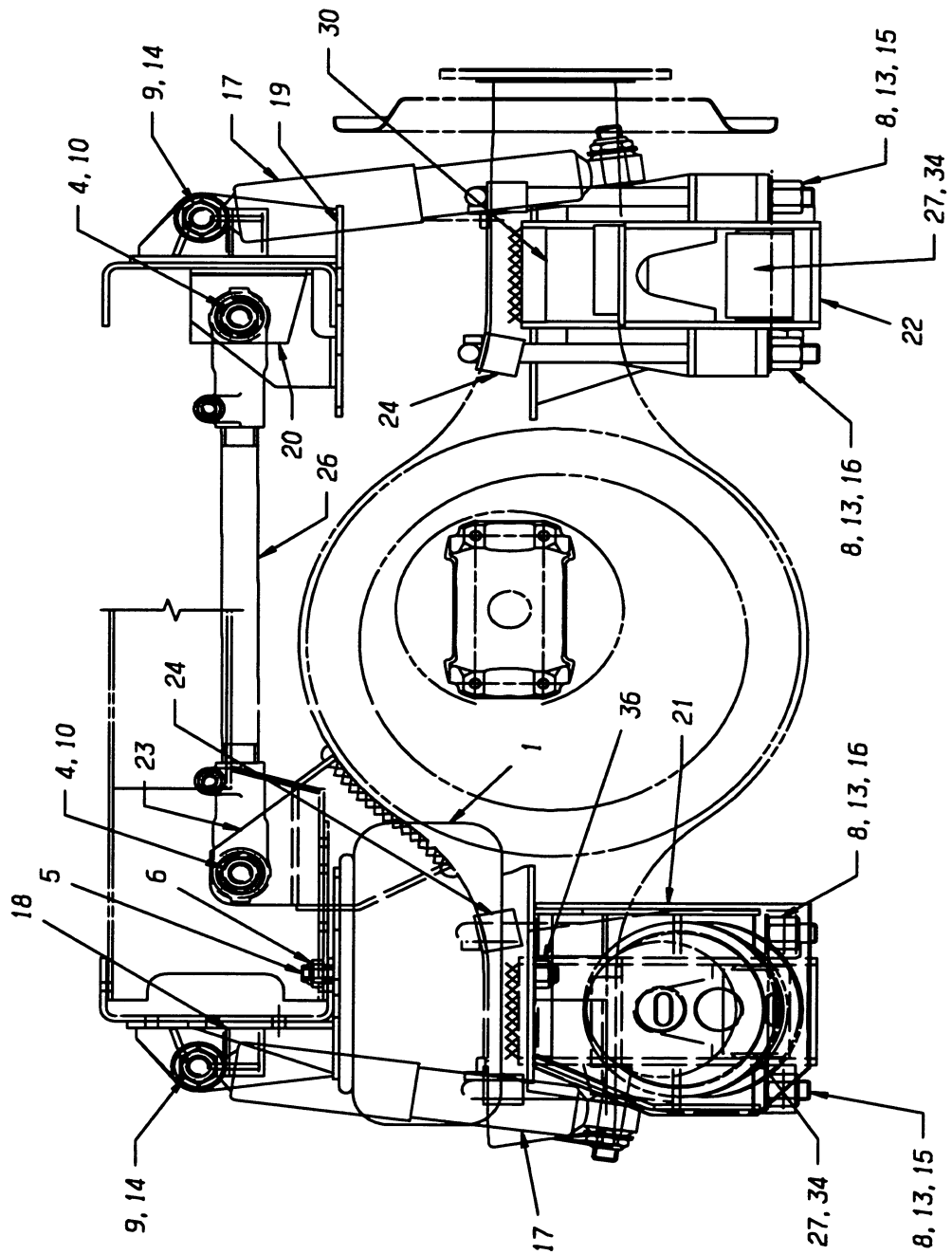
<u>KEY</u>	<u>PART NO</u>	<u>DESCRIPTION</u>	<u>QTY</u>
1	0008798	AIR SPRING	4
3		BOLT 1-1/2" 6NC 7" LG (1130670B105)	4
4		BOLT 1" 8NC 6" LG 1-1/4" THR (1135711B108)	2
5		LOCKNUT 1/2" 13NC NYLON INSERT (1150555B112)	4
6		LOCKNUT 3/4" 16NF HEX JAM-THIN (1154700B102)	4
7		LOCKNUT 1-1/4" 7NC SPS FLEX (1155648B105)	4
8		NUT 7/8 14NF TALL (1155876B108)	8
9		LOCKNUT 1" 8NC NI-THIN (1155939B102)	4
10		LOCKNUT 1" SPS FLEX LOCK (1157492B105)	2
11		WASHER/SHIM 12GA COATED (1160519B903)	8
12		LOCKWASHER 1-1/2" INT TOOTH (1160673B000)	4
13		WASHER 7/8" A-325 FLAT (1160868B100)	8
14		WASHER 1" SAE FLAT (1161677B100)	4
15		U-BOLT 7/8 14 NF 5.25"X13.5" W/1"R (1173532B362)	2
16		U-BOLT 7/8 14 (1173532B363)	
17	1962430	SHOCK, ABSORBER, KONI, TAG	
18		HANGER RAIL ASSY RAD-227 LH/BB (3105761C100)	
19		HANGER RAIL ASSY RAD-227 RH/BB (3105761C200)	
20	1087360	SWAY BAR MTG BRKT 1" PIN 3" BSHG	
21		LOWER BEAM ASSY LH J-230 (4265761D132)	
22		LOWER BEAM ASSY RH J-230(4265761D232)	
23	0008799	SWAY BAR AX BRKT J230	
24		UB SPA J230 (4645761B230)	2
25		ECCENTRIC BOLT ASSY. (5001458B000)	4
26	0008800	SWAY BAR ASSY (INCLUDES THE FOLLOWING INDENTED ITEMS)	
NI	4317301	BUSHING-SWAY BAR	2
NI	2122208	RH END ASSY, TORQUE ROD	
NI	2122216	LH END ASSY, TORQUE ROD	
27		TORQUE BEAM ASSY. STR (5055892B000)	2
28		TORQUE BEAM ASSY CVD (5065893B000)	2
29		CLAMPING PLATE 3.5" SQ 1.25" ID (7401494B000)	4
30		PLATE 3/16X1X4-1/2 A-36 (7506903V330)	4
31		CROSS CHANNEL (8176105C301)	
32		ANTI TURN WASHER (9003092B000)	4
33		LOCKING PLATE (9004565B000)	4
34		BUSHING 4-7/17 X 1-1/2 (1110512B000)	42
35		BUSHING 3" LG 1" ID (1117195B000)	45
36	0008801	LOCKNUT 3/4" 13 NC NYLON INSERT	4

Q4RE



DR. 1/22/99	BY J. J.	1954/4523	B
APP. 1/22/99	BY AB	PRT	REV

© BILBE BILD BODY COMPANY, ALL RIGHTS RESERVED



**REAR AIR SUSPENSION
(ENDING W/CSN 1000111)**

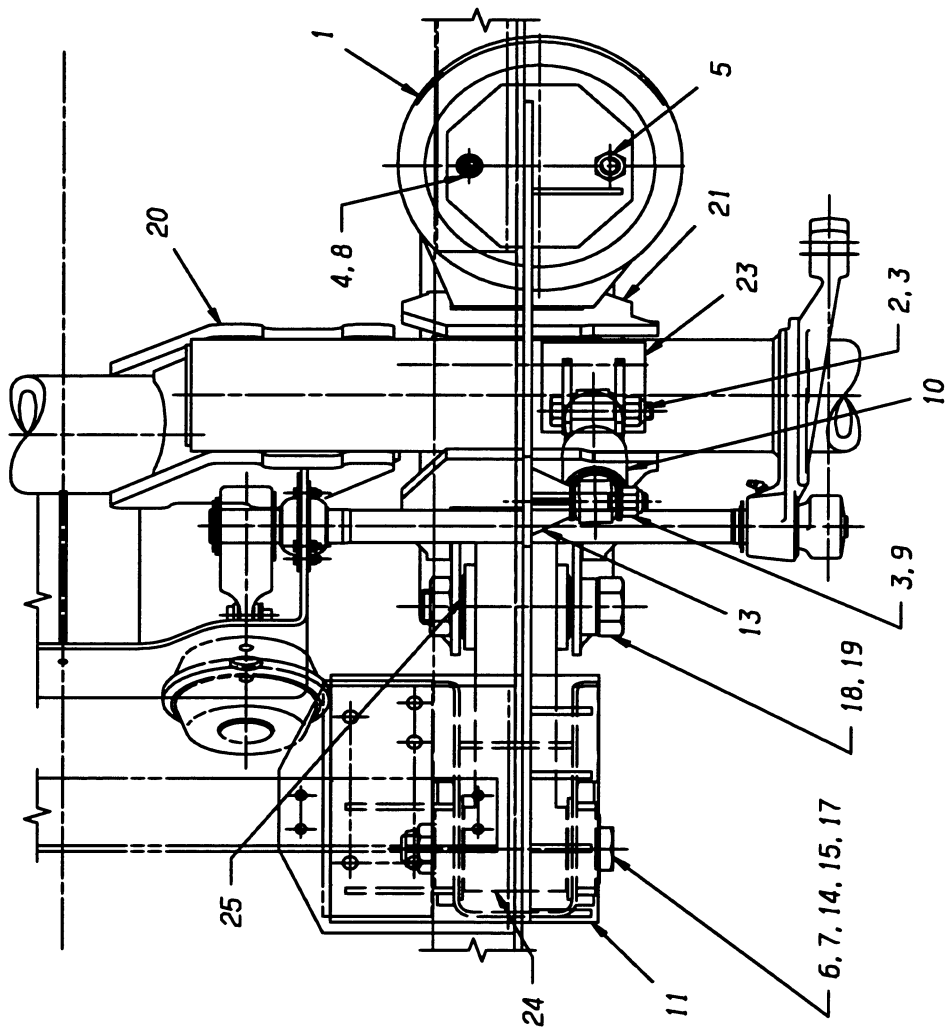
<u>KEY</u>	<u>PART NO</u>	<u>DESCRIPTION</u>	<u>QTY</u>
1	0008798	AIR SPRING	4
3		BOLT 1-1/2" 6NC 7" LG (1130670B105)	4
4		BOLT 1" 8NC 6" LG 1-1/4" THR (1135711B108)	2
5		LOCKNUT 1/2" 13NC NYLON INSERT (1150555B112)	4
6		LOCKNUT 3/4" 16NF HEX JAM-THIN (1154700B102)	4
7		LOCKNUT 1-1/4" 7NC SPS FLEX (1155648B105)	4
8		NUT 7/8 14NF TALL (1155876B108)	8
9		LOCKNUT 1" 8NC NI-THIN (1155939B102)	4
10		LOCKNUT 1" SPS FLEX LOCK (1157492B105)	2
11		WASHER/SHIM 12GA COATED (1160519B903)	8
12		LOCKWASHER 1-1/2" INT TOOTH (1160673B000)	4
13		WASHER 7/8" A-325 FLAT (1160868B100)	8
14		WASHER 1" SAE FLAT (1161677B100)	4
15		U-BOLT 7/8 14 NF 5.25"X13.5" W/1"R (1173532B362)	2
16		U-BOLT 7/8 14 (1173532B363)	
17	1962430	SHOCK, ABSORBER, KONI, TAG	
18		HANGER RAIL ASSY RAD-227 LH/BB (3105761C100)	
19		HANGER RAIL ASSY RAD-227 RH/BB (3105761C200)	
20	1087360	SWAY BAR MTG BRKT 1" PIN 3" BSHG	
21		LOWER BEAM ASSY LH J-230 (4265761D132)	
22		LOWER BEAM ASSY RH J-230 (4265761D232)	
23	0008799	SWAY BAR AX BRKT J230	
24		UB SPA J230 (4645761B230)	2
25		ECCENTRIC BOLT ASSY. (5001458B000)	4
26	0008800	SWAY BAR ASSY (INCLUDES THE FOLLOWING INDENTED ITEMS)	
NI	4317301	BUSHING-SWAY BAR	2
NI	2122208	RH END ASSY, TORQUE ROD	
NI	2122216	LH END ASSY, TORQUE ROD	
27		TORQUE BEAM ASSY. STR (5055892B000)	2
28		TORQUE BEAM ASSY CVD (5065893B000)	2
29		CLAMPING PLATE 3.5" SQ 1.25" ID (7401494B000)	4
30		PLATE 3/16X1X4-1/2 A-36 (7506903V330)	4
31		CROSS CHANNEL (8176105C301)	
32		ANTI TURN WASHER (9003092B000)	4
33		LOCKING PLATE (9004565B000)	4
34		BUSHING 4-7/17 X 1-1/2 (1110512B000)	42
35		BUSHING 3" LG 1" ID (1117195B000)	45
36	0008801	LOCKNUT 3/4" 13 NC NYLON INSERT	4

Q4RE



DR. 1/22/99	BY J.	---	19139951	B
APP. 1/22/99	BY AB	PRT.		REV

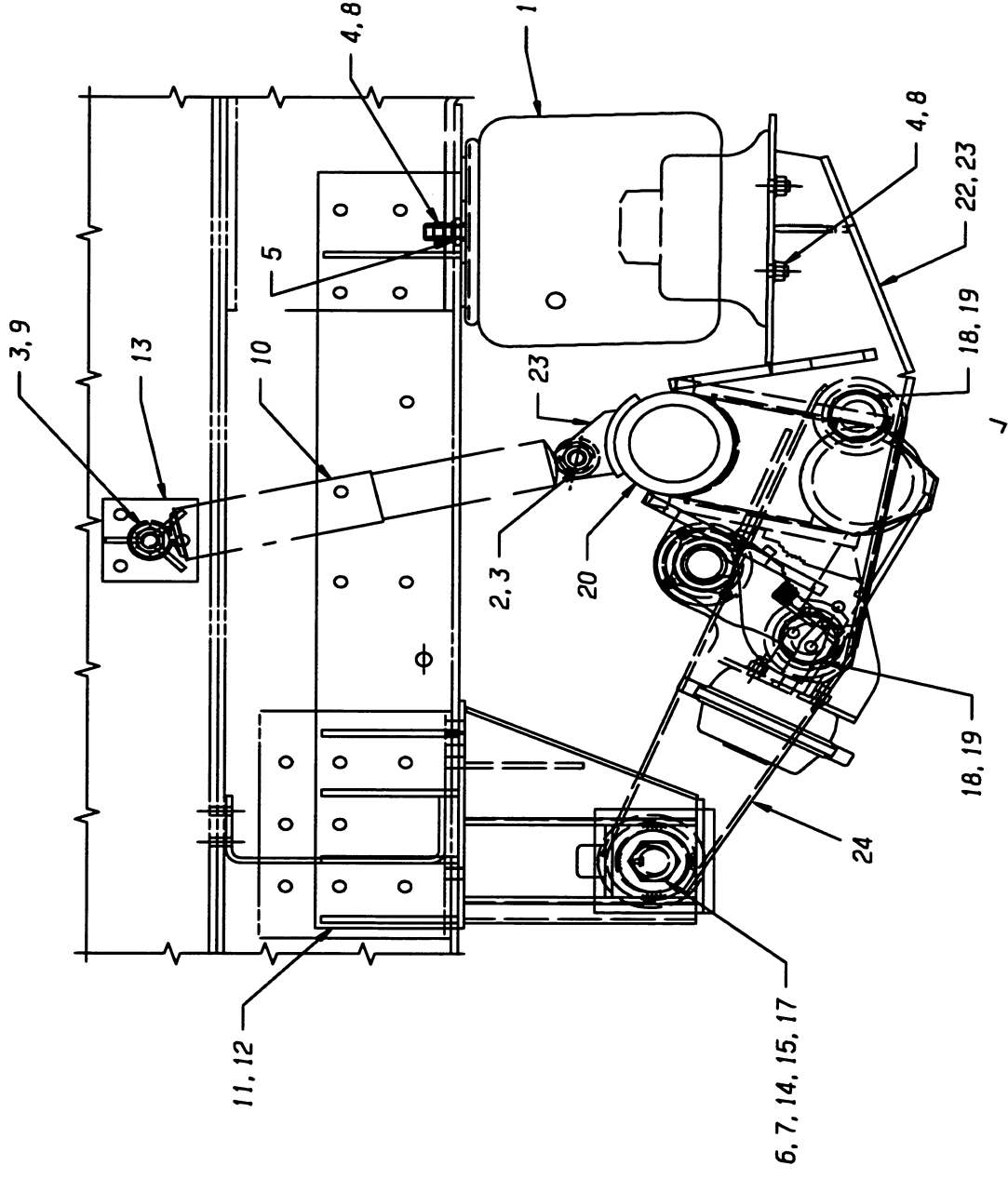
© BLUE BIRD BODY COMPANY. ALL RIGHTS RESERVED



**REAR AIR SUSPENSION, TAG, NONLIFT
(ENDING W/CSN 1000111)**

<u>KEY</u>	<u>PART NO</u>	<u>DESCRIPTION</u>	<u>QTY</u>
1	0008794	AIR SPRING	2
2		BOLT 3/4" 10NC 3-1/2" LG (1143077B105)	2
3		LOCKNUT 3/4" 10NC NYLON INSERT (1151384B102)	4
4		NUT 1/2" 20NF STANDARD (1154093B102)	6
5		LOCKNUT 3/4" 16NF NI-THIN (1154700B102)	2
6		LOCKNUT 1-1/4" 7NC SPS FLEX LOCK (1155648B105)	2
7		WASHER/SHIM 9GA COATED (1160519B901)	4
8		LOCKWASHER 1/2" S/T MED (1160556B100)	6
9		WASHER 3/4" SAE FLAT (1160576B100)	2
10	1962430	SHOCK ABSORBER, TAG AXLE	2
11		HANGER RAIL ASSY - LH (3034604C102)	
12		HANGER RAIL ASSY - RH (3034604C202)	
13	0008795	SHOCK STUD ASSY 3/4" STUD	2
14	0008796	ECCENTRIC BOLT ASSY W/STRIP	2
15		CLAMPING PLATE ASSY (5010696B000)	2
17		ANTI TURN WASHER (9003092B000)	2
		AXLE/LOWER BEAM ASSY (INCLUDES THE FOLLOWING:) (5997749C000)	
18		BOLT 1-1/2 6NC 7"LG (1130670B105)	
19		LOCKWASHER 1-1/2" INT TOOTH (1160673B000)	
20		AX 8" DRP 'R' SERIES (16476060905)	
21		LOWER BEAM ASSY-LH (40577490100)	
22		LOWER BEAM ASSY-RH (40577490200)	
23		SHOCK BRKT (4674817B000)	
24		TORQUE BEAM ASSY. 3 EYE (5097749B000)	
NI		BUSHING 4-7/16X1-1/2 70D (1110512B000)	
NI		BUSHING 4-7/17X1-1/2 60D (1113328B000)	

Q4RE



**REAR AIR SUSPENSION, TAG, NONLIFT
(ENDING W/CSN 1000111)**

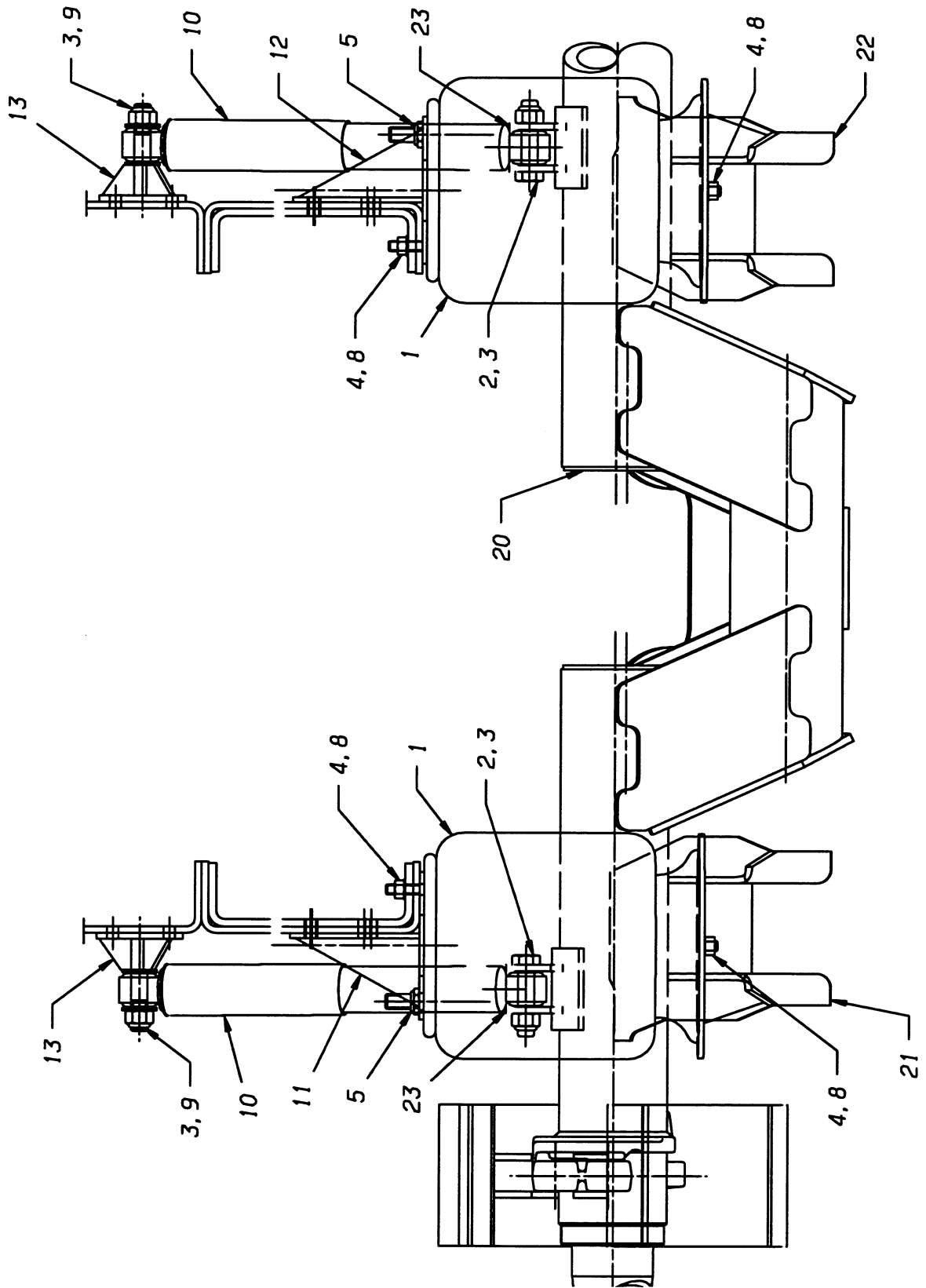
<u>KEY</u>	<u>PART NO</u>	<u>DESCRIPTION</u>	<u>QTY</u>
1	0008794	AIR SPRING	2
2		BOLT 3/4" 10NC 3-1/2" LG (1143077B105)	2
3		LOCKNUT 3/4" 10NC NYLON INSERT (1151384B102)	4
4		NUT 1/2" 20NF STANDARD (1154093B102)	6
5		LOCKNUT 3/4" 16NF NI-THIN (1154700B102)	2
6		LOCKNUT 1-1/4" 7NC SPS FLEX LOCK (1155648B105)	2
7		WASHER/SHIM 9GA COATED (1160519B901)	4
8		LOCKWASHER 1/2" S/T MED (1160556B100)	6
9		WASHER 3/4" SAE FLAT (1160576B100)	2
10	1962430	SHOCK ABSORBER, TAG AXLE	2
11		HANGER RAIL ASSY - LH (3034604C102)	
12		HANGER RAIL ASSY - RH (3034604C202)	
13	0008795	SHOCK STUD ASSY 3/4" STUD	2
14	0008796	ECCENTRIC BOLT ASSY W/STRIP	2
15		CLAMPING PLATE ASSY (5010696B000)	2
17		ANTI TURN WASHER (9003092B000)	2
		AXLE/LOWER BEAM ASSY (INCLUDES THE FOLLOWING:) (5997749C000)	
18		BOLT 1-1/2 6NC 7" LG (1130670B105)	
19		LOCKWASHER 1-1/2" INT TOOTH (1160673B000)	
20		AX 8" DRP 'R' SERIES (16476060905)	
21		LOWER BEAM ASSY-LH (40577490100)	
22		LOWER BEAM ASSY-RH (40577490200)	
23		SHOCK BRKT (4674817B000)	
24		TORQUE BEAM ASSY. 3 EYE (5097749B000)	
NI		BUSHING 4-7/16X1-1/2 70D (1110512B000)	
NI		BUSHING 4-7/17X1-1/2 60D (1113328B000)	

Q4RE



DR. 1/22/99 BY J.L.	19139953	B
APP. 1/22/99 BY AB	FRT	REV

© BLUE BIRD BODY COMPANY. ALL RIGHTS RESERVED

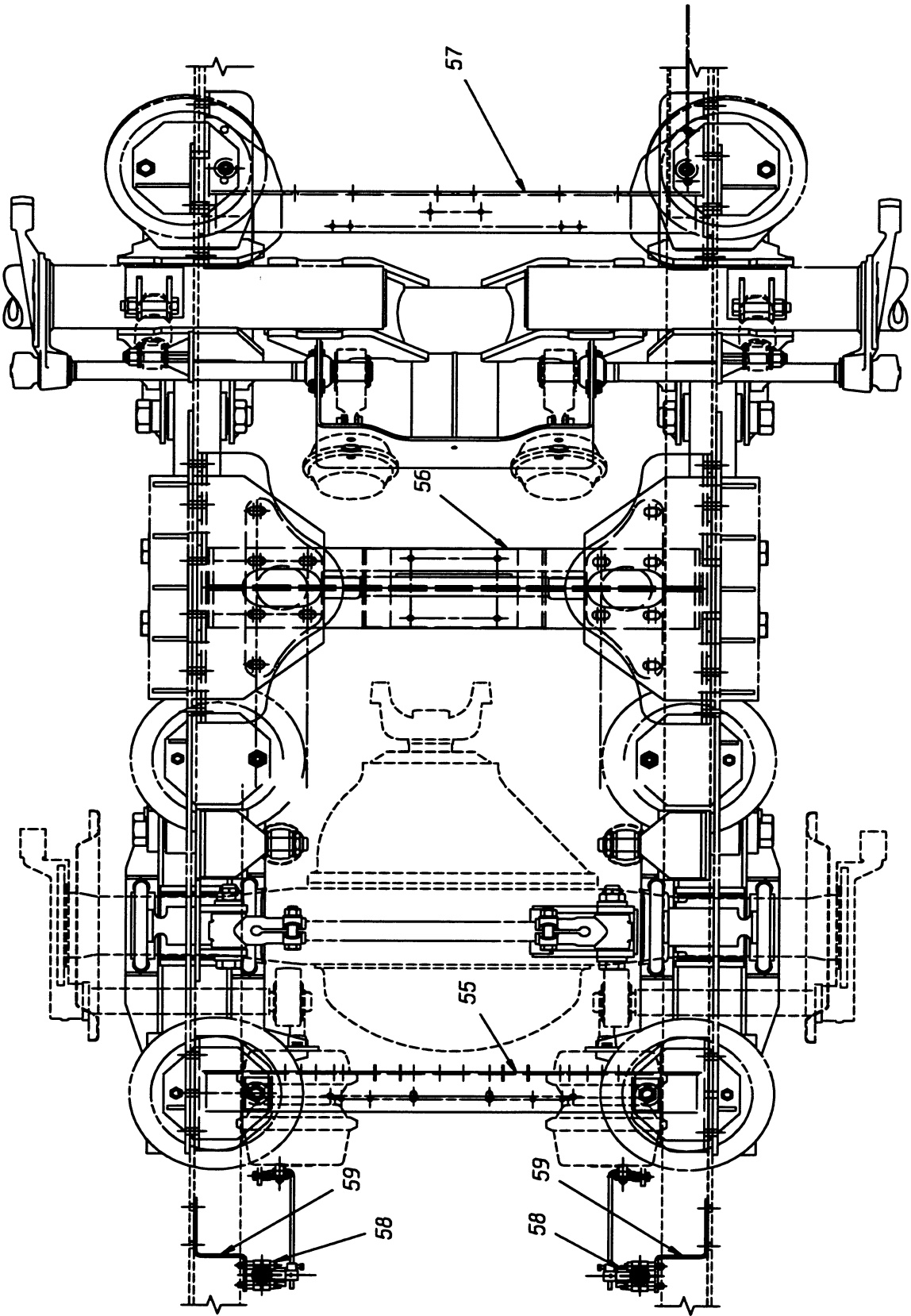


**REAR AIR SUSPENSION, TAG, NONLIFT
(ENDING W/CSN 1000111)**

<u>KEY</u>	<u>PART NO</u>	<u>DESCRIPTION</u>	<u>QTY</u>
1	0008794	AIR SPRING	2
2		BOLT 3/4" 10NC 3-1/2" LG (1143077B105)	2
3		LOCKNUT 3/4" 10NC NYLON INSERT (1151384B102)	4
4		NUT 1/2" 20NF STANDARD (1154093B102)	6
5		LOCKNUT 3/4" 16NF NI-THIN (1154700B102)	2
6		LOCKNUT 1-1/4" 7NC SPS FLEX LOCK (1155648B105)	2
7		WASHER/SHIM 9GA COATED (1160519B901)	4
8		LOCKWASHER 1/2" S/T MED (1160556B100)	6
9		WASHER 3/4" SAE FLAT (1160576B100)	2
10	1962430	SHOCK ABSORBER, TAG AXLE	2
11		HANGER RAIL ASSY - LH (3034604C102)	
12		HANGER RAIL ASSY - RH (3034604C202)	
13	0008795	SHOCK STUD ASSY 3/4" STUD	2
14	0008796	ECCENTRIC BOLT ASSY W/STRIP	2
15		CLAMPING PLATE ASSY (5010696B000)	2
17		ANTI TURN WASHER (9003092B000)	2
		AXLE/LOWER BEAM ASSY (INCLUDES THE FOLLOWING:) (5997749C000)	
18		BOLT 1-1/2 6NC 7" LG (1130670B105)	
19		LOCKWASHER 1-1/2" INT TOOTH (1160673B000)	
20		AX 8" DRP 'R' SERIES (16476060905)	
21		LOWER BEAM ASSY-LH (40577490100)	
22		LOWER BEAM ASSY-RH (40577490200)	
23		SHOCK BRKT (4674817B000)	
24		TORQUE BEAM ASSY. 3 EYE (5097749B000)	
NI		BUSHING 4-7/16X1-1/2 70D (1110512B000)	
NI		BUSHING 4-7/17X1-1/2 60D (1113328B000)	

Q4RE

DR. 1/23/99 BY J.L.	19830711	D
APP. 1/23/99 BY AB	PRT	REV
© BLUE STAR BODY CORP. ALL RIGHTS RESERVED		



**REAR AIR SUSPENSION, DRIVE/FIXED TAG,
(BEGINNING W/CSN 1000112)**

<u>KEY</u>	<u>PART NO</u>	<u>DESCRIPTION</u>	<u>QTY</u>
1		AIR SPRING (1003589595C)	2
2	1624501	AIR SPRING	4
3		BOLT 1-1/2" 6NC 7" LG (1130670B105)	8
4		BOLT 1" 8NC 6" LG 1-1/4" THD (1135711B108)	2
5		BOLT 3/4" 10NC 3-1/2" LG (1143077B105)	2
6		LOCKNUT 1/2" 13NC (1150555B112)	8
7		LOCKNUT 3/4" 10NC NYLON INSERT (1151384B102)	4
8		NUT 1/2" 20NF STANDARD (1154093B102)	6
9		LOCKNUT 3/4" 16 NF NI-THIN (1154700B102)	6
10		LOCKNUT 1/1/4" 7NC SPS FLEX LOCK (1155648B105)	6
11		NUT 7/8" 14JF TALL (1155876B108)	8
12		LOCKNUT 1" 8NC THIN NYLON INSERT (1155939B102)	4
13		LOCKNUT 1" 8NC SPS FLEX LOCK (1157492B105)	2
14		WASHER/SHIM UMHW 9GA (.15") (1160519B901)	4
15		WASHER/SHIM 12GA (1160519B903)	8
16		LOCKWASHER 1/2" S/T MED (1160556B100)	6
17	0008810	WASHER 3/4" SAE FLAT	2
18		LOCKWASHER 1/1/2" INT TOOTH (1160673B000)	8
19		WASHER 7/8" A-325 FLAT (1160686B100)	8
20		WASHER 1" SAE FLAT (1161677B000)	4
21		U-BOLT 7/8" 14NF 5.25X13/5" W/1"R (1173532B362)	2
22		U-BOLT 7/8" 14NF 5.688"X14 W/1"R (1173532B363)	2
23	1962422	SHOCK ABSORBER, DRIVE AXLE	2
24	1962430	SHOCK ABSORBER, TAG AXLE	2
25		AX 8"DRP 'R' SERIES 66.71BSS (1647606D905)	
26		HANGER ASSY - LH CTR MTG (3120001)	
27		HANGER ASSY - RH CTR MTG (3120002)	
28		AIR SPRING MTG BRKT - LH (3450008)	
29		SHOCK STUD ASSY 3/4" STUD (3504816B001)	2
30	0008811	SHOCK STUD ASSY	2
31	0008812	SWAYBAR MTG BRKT	
32		LBA-LH RAR-221 5.00" RD AXLE (4057749D100)	
33		LBA-RH RAR-221 5.00" RD AXLE (4057749D200)	
34		LBA RAD-227 LH/W230 (4260007)	
35		LBA RAD-227 RH/W230 (4260008)	
36	0008814	SWAYBAR AX BRKT W-230	
37		U-BOLT SPA J230 35.0 (4645761B230)	2
38		SHOCK BRKT @ AXLE 3/4" D (4674817B000)	2
39		ECCENTRIC BOLT ASSY (5001458B000)	6
40		SWAY BAR ASSY (5037264B304)(INCLUDES THE FOLLOWING INDENTED ITEMS)	
NI	4317301	BUSHING-SWAY BAR	2
NI	2122208	RH END ASSY, TORQUE ROD	
NI	2122216	LH END ASSY, TORQUE ROD	
41	8200834	TORQUE BEAM ASSY STR	2
42	0008815	TORQUE BEAM ASSY CVD	2

Q4RE

**REAR AIR SUSPENSION, DRIVE/FIXED TAG
(BEGINNING W/CSN 1000112)**

<u>KEY</u>	<u>PART NO</u>	<u>DESCRIPTION</u>	<u>QTY</u>
43		TORQUE BEAM ASSY 3 EYE 23.25" LH 246 (5097749B000)	2
44		CROSSCHANNEL ASSY A-28.500 (5487244B315)	
45		CLAMPING PLT 3.50" SQ 1.25" ID (7401494B000)	6
46		PLATE 3/16"XL"X4-1/2"A-36 (7506903V330)	4
47		ANTI TURN WASHER (9003092B000)	6
48	0008816	LOCKING PLATE	4
49	4317285	BUSHING 4-7/16"X1-1/2" 70D	AR
50	0961573	BUSHING 4-7/16"XL-1/2" 60D	AR
51	4317301	BUSHING 3" LG 1"	AR
52		AIR SPRING MTG BRKT-RH TAG (3450009)	
53		AIR SPRING MTG BRKT-LH DRIVE (3450010)	
54		AIR SPRING MTG BRKT-RH DRIVE (3450011)	
55		FORWARD/REAR CROSSMEMBER (3580004)	
56		CENTER/REAR CROSSMEMBER (3580005)	
57		REAR/REAR CROSSMEMBER (3580006)	
58	0871376	LEVELING VALVE	3
59	0007685	BRACKET, MTG, LEVELING VALVE	2

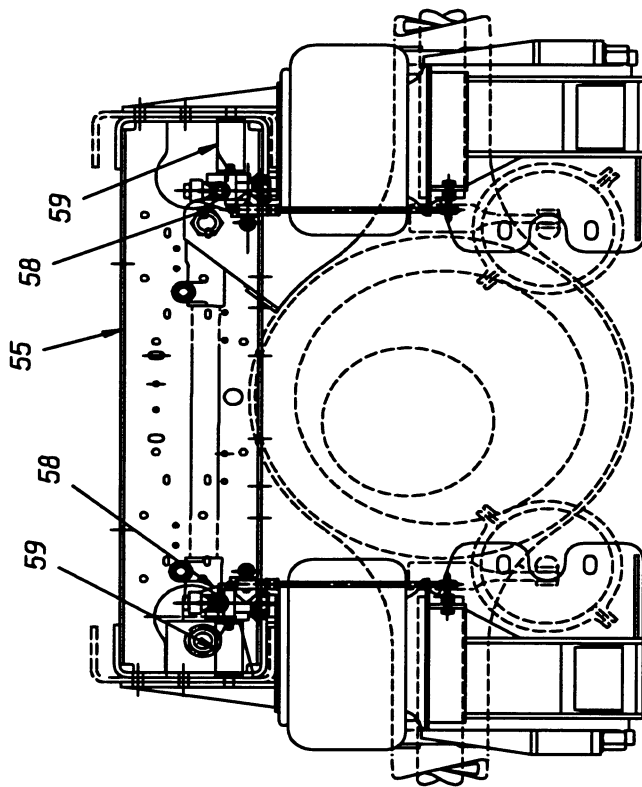
Q4RE

Notes



DR. 1/23/99	BY J.	19830712	D
APP. 1/23/99	BY AB	PRT	REV

© BLUE BIRD BODY COMPANY. ALL RIGHTS RESERVED



**REAR AIR SUSPENSION, DRIVE/FIXED TAG,
(BEGINNING W/CSN 10000112)**

<u>KEY</u>	<u>PART NO</u>	<u>DESCRIPTION</u>	<u>QTY</u>
1		AIR SPRING (1003589595C)	2
2	1624501	AIR SPRING	4
3		BOLT 1-1/2" 6NC 7" LG (1130670B105)	8
4		BOLT 1" 8NC 6" LG 1-1/4" THD (1135711B108)	2
5		BOLT 3/4" 10NC 3-1/2" LG (1143077B105)	2
6		LOCKNUT 1/2" 13NC (1150555B112)	8
7		LOCKNUT 3/4" 10NC NYLON INSERT (1151384B102)	4
8		NUT 1/2" 20NF STANDARD (1154093B102)	6
9		LOCKNUT 3/4" 16 NF NI-THIN (1154700B102)	6
10		LOCKNUT 1/1/4" 7NC SPS FLEX LOCK (1155648B105)	6
11		NUT 7/8" 14JF TALL (1155876B108)	8
12		LOCKNUT 1" 8NC THIN NYLON INSERT (1155939B102)	4
13		LOCKNUT 1" 8NC SPS FLEX LOCK (1157492B105)	2
14		WASHER/SHIM UMHW 9GA (.15") (1160519B901)	4
15		WASHER/SHIM 12GA (1160519B903)	8
16		LOCKWASHER 1/2" S/T MED (1160556B100)	6
17	0008810	WASHER 3/4" SAE FLAT	2
18		LOCKWASHER 1/1/2" INT TOOTH (1160673B000)	8
19		WASHER 7/8" A-325 FLAT (1160686B100)	8
20		WASHER 1" SAE FLAT (1161677B000)	4
21		U-BOLT 7/8" 14NF 5.25X13/5" W/1"R (1173532B362)	2
22		U-BOLT 7/8" 14NF 5.688"X14 W/1"R (1173532B363)	2
23	1962422	SHOCK ABSORBER, DRIVE AXLE	2
24	1962430	SHOCK ABSORBER, TAG AXLE	2
25		AX 8"DRP 'R' SERIES 66.71BSS (1647606D905)	
26		HANGER ASSY - LH CTR MTG (3120001)	
27		HANGER ASSY - RH CTR MTG (3120002)	
28		AIR SPRING MTG BRKT - LH (3450008)	
29		SHOCK STUD ASSY 3/4" STUD (3504816B001)	2
30	0008811	SHOCK STUD ASSY	2
31	0008812	SWAYBAR MTG BRKT	
32		LBA-LH RAR-221 5.00" RD AXLE (4057749D100)	
33		LBA-RH RAR-221 5.00" RD AXLE (4057749D200)	
34		LBA RAD-227 LH/W230 (4260007)	
35		LBA RAD-227 RH/W230 (4260008)	
36	0008814	SWAYBAR AX BTKT W-230	
37		U-BOLT SPA J230 35.0 (4645761B230)	2
38		SHOCK BRKT @ AXLE 3/4" D (4674817B000)	2
39		ECCENTRIC BOLT ASSY (5001458B000)	6
40		SWAY BAR ASSY (5037264B304)(INCLUDES THE FOLLOWING INDENTED ITEMS)	
NI	4317301	BUSHING-SWAY BAR	2
NI	2122208	RH END ASSY, TORQUE ROD	
NI	2122216	LH END ASSY, TORQUE ROD	
41	8200834	TORQUE BEAM ASSY STR	2
42	0008815	TORQUE BEAM ASSY CVD	2

Q4RE

**REAR AIR SUSPENSION, DRIVE/FIXED TAG
(BEGINNING W/CSN 1000112)**

<u>KEY</u>	<u>PART NO</u>	<u>DESCRIPTION</u>	<u>QTY</u>
43		TORQUE BEAM ASSY 3 EYE 23.25" LH 246 (5097749B000)	2
44		CROSSCHANNEL ASSY A-28.500 (5487244B315)	
45		CLAMPING PLT 3.50" SQ 1.25" ID (7401494B000)	6
46		PLATE 3/16"XL"X4-1/2"A-36 (7506903V330)	4
47		ANTI TURN WASHER (9003092B000)	6
48	0008816	LOCKING PLATE	4
49	4317285	BUSHING 4-7/16"X1-1/2" 70D	AR
50	0961573	BUSHING 4-7/16"XL-1/2" 60D	AR
51	4317301	BUSHING 3" LG 1" ID	AR
52		AIR SPRING MTG BRKT-RH TAG (3450009)	
53		AIR SPRING MTG BRKT-LH DRIVE (3450010)	
54		AIR SPRING MTG BRKT-RH DRIVE (3450011)	
55		FORWARD/REAR CROSSMEMBER (3580004)	
56		CENTER/REAR CROSSMEMBER (3580005)	
57		REAR/REAR CROSSMEMBER (3580006)	
58	0871376	LEVELING VALVE	3
59	0007685	BRACKET, MTG, LEVELING VALVE	2

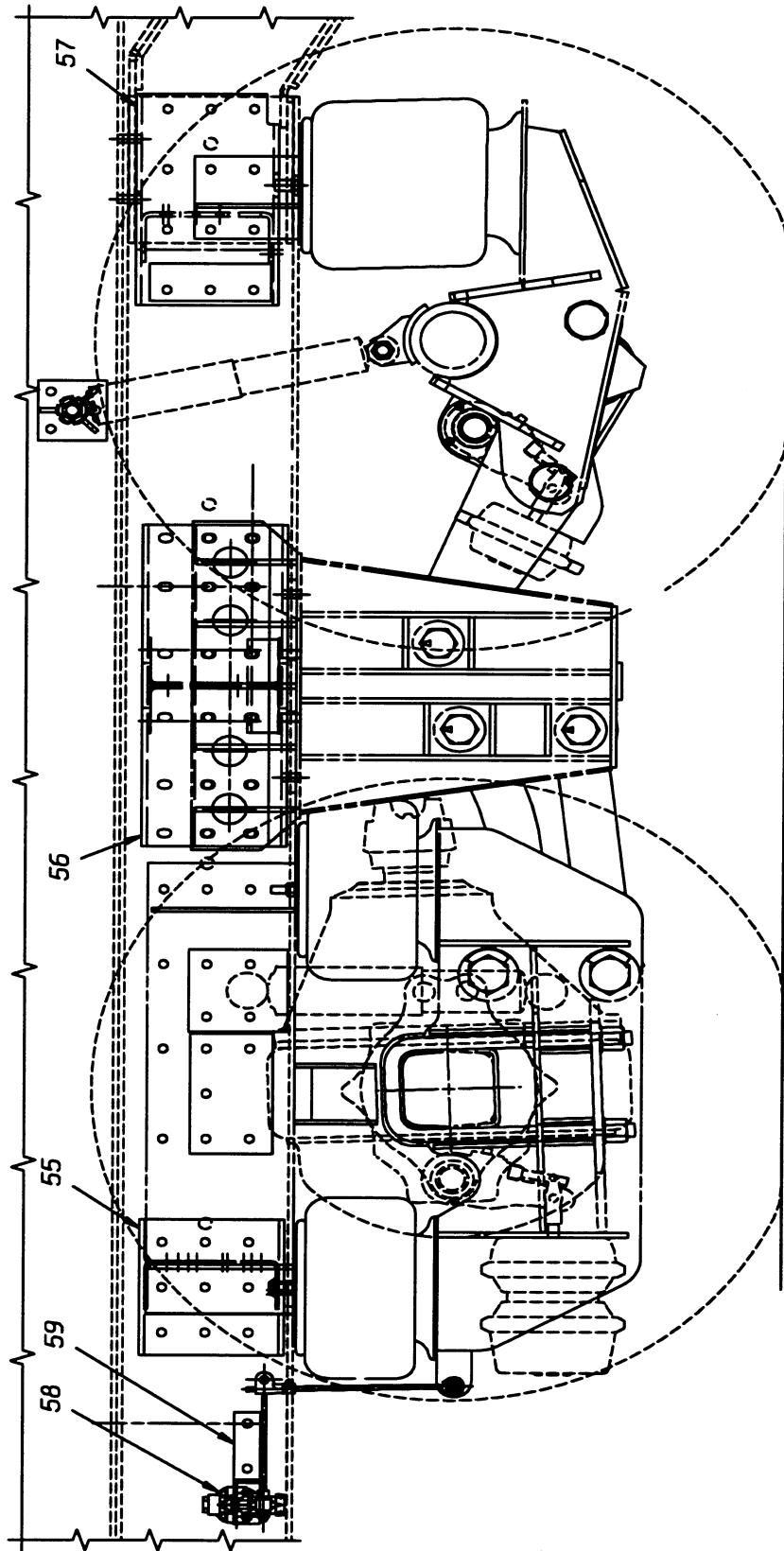
Q4RE

Notes



DR. 1/23/99	BY J.L.	19830713	D
APP. 1/23/99	BY AB	PRT	REV

© BLUE BIRD BODY COMPANY. ALL RIGHTS RESERVED



**REAR AIR SUSPENSION, DRIVE/FIXED TAG
(BEGINNING W/CSN 1000112)**

<u>KEY</u>	<u>PART NO</u>	<u>DESCRIPTION</u>	<u>QTY</u>
1		AIR SPRING (1003589595C)	2
2	1624501	AIR SPRING	4
3		BOLT 1-1/2" 6NC 7" LG (1130670B105)	8
4		BOLT 1" 8NC 6" LG 1-1/4" THD (1135711B108)	2
5		BOLT 3/4" 10NC 3-1/2" LG (1143077B105)	2
6		LOCKNUT 1/2" 13NC (1150555B112)	8
7		LOCKNUT 3/4" 10NC NYLON INSERT (1151384B102)	4
8		NUT 1/2" 20NF STANDARD (1154093B102)	6
9		LOCKNUT 3/4" 16 NF NI-THIN (1154700B102)	6
10		LOCKNUT 1/1/4" 7NC SPS FLEX LOCK (1155648B105)	6
11		NUT 7/8" 14JF TALL (1155876B108)	8
12		LOCKNUT 1" 8NC THIN NYLON INSERT (1155939B102)	4
13		LOCKNUT 1" 8NC SPS FLEX LOCK (1157492B105)	2
14		WASHER/SHIM UMHW 9GA (.15") (1160519B901)	4
15		WASHER/SHIM 12GA (1160519B903)	8
16		LOCKWASHER 1/2" S/T MED (1160556B100)	6
17	0008810	WASHER 3/4" SAE FLAT	2
18		LOCKWASHER 1/1/2" INT TOOTH (1160673B000)	8
19		WASHER 7/8" A-325 FLAT (1160686B100)	8
20		WASHER 1" SAE FLAT (1161677B000)	4
21		U-BOLT 7/8" 14NF 5.25X13/5" W/1"R (1173532B362)	2
22		U-BOLT 7/8" 14NF 5.688"X14 W/1"R (1173532B363)	2
23	1962422	SHOCK ABSORBER, DRIVE AXLE	2
24	1962430	SHOCK ABSORBER, TAG AXLE	2
25		AX 8"DRP 'R' SERIES 66.71BSS (1647606D905)	
26		HANGER ASSY - LH CTR MTG (3120001)	
27		HANGER ASSY - RH CTR MTG (3120002)	
28		AIR SPRING MTG BRKT - LH (3450008)	
29		SHOCK STUD ASSY 3/4" STUD (3504816B001)	2
30	0008811	SHOCK STUD ASSY	2
31	0008812	SWAYBAR MTG BRKT	
32		LBA-LH RAR-221 5.00" RD AXLE (4057749D100)	
33		LBA-RH RAR-221 5.00" RD AXLE (4057749D200)	
34		LBA RAD-227 LH/W230 (4260007)	
35		LBA RAD-227 RH/W230 (4260008)	
36	0008814	SWAYBAR AX BTKT W-230	
37		U-BOLT SPA J230 35.0 (4645761B230)	2
38		SHOCK BRKT @ AXLE 3/4" D (4674817B000)	2
39		ECCENTRIC BOLT ASSY (5001458B000)	6
40		SWAY BAR ASSY (5037264B304)(INCLUDES THE FOLLOWING INDENTED ITEMS)	
NI	4317301	BUSHING-SWAY BAR	2
NI	2122208	RH END ASSY, TORQUE ROD	
NI	2122216	LH END ASSY, TORQUE ROD	
41	8200834	TORQUE BEAM ASSY STR	2
42	0008815	TORQUE BEAM ASSY CVD	2

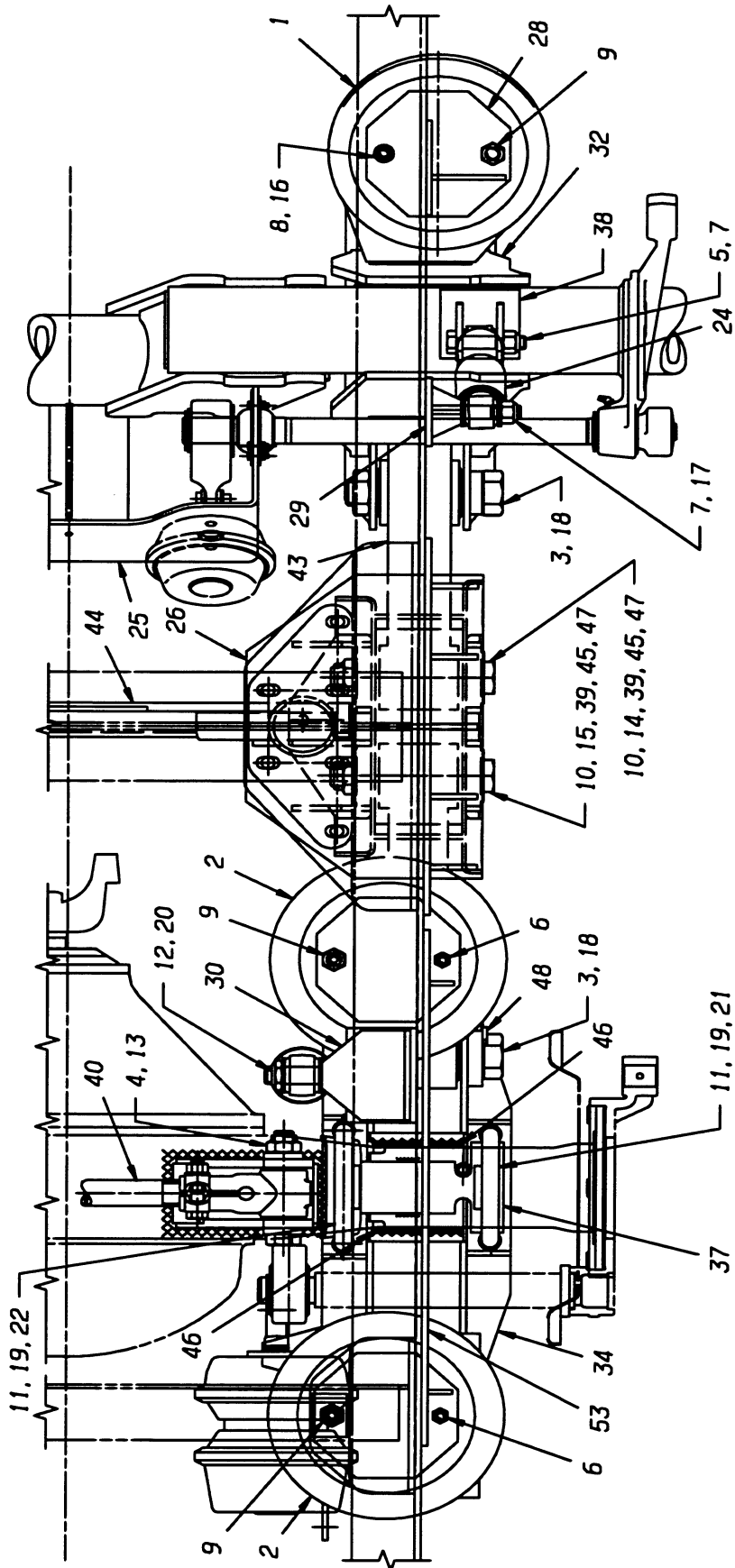
Q4RE

**REAR AIR SUSPENSION, DRIVE/FIXED TAG
(BEGINNING W/CSN 1000112)**

<u>KEY</u>	<u>PART NO</u>	<u>DESCRIPTION</u>	<u>QTY</u>
43		TORQUE BEAM ASSY 3 EYE 23.25" LH 246 (5097749B000)	2
44		CROSSCHANNEL ASSY A-28.500 (5487244B315)	
45		CLAMPING PLT 3.50" SQ 1.25" ID (7401494B000)	6
46		PLATE 3/16"XL"X4-1/2"A-36 (7506903V330)	4
47		ANTI TURN WASHER (9003092B000)	6
48	0008816	LOCKING PLATE	4
49	4317285	BUSHING 4-7/16"X1-1/2" 70D	AR
50	0961573	BUSHING 4-7/16"XL-1/2" 60D	AR
51	4317301	BUSHING 3" LG 1" ID	AR
52		AIR SPRING MTG BRKT-RH TAG (3450009)	
53		AIR SPRING MTG BRKT-LH DRIVE (3450010)	
54		AIR SPRING MTG BRKT-RH DRIVE (3450011)	
55		FORWARD/REAR CROSSMEMBER (3580004)	
56		CENTER/REAR CROSSMEMBER (3580005)	
57		REAR/REAR CROSSMEMBER (3580006)	
58	0871376	LEVELING VALVE	3
59	0007685	BRACKET, MTG, LEVELING VALVE	2

Q4RE

Notes



**REAR AIR SUSPENSION, DRIVE/FIXED TAG
(BEGINNING W/CSN 1000112)**

<u>KEY</u>	<u>PART NO</u>	<u>DESCRIPTION</u>	<u>QTY</u>
1		AIR SPRING (1003589595C)	2
2	1624501	AIR SPRING	4
3		BOLT 1-1/2" 6NC 7" LG (1130670B105)	8
4		BOLT 1" 8NC 6" LG 1-1/4" THD (1135711B108)	2
5		BOLT 3/4" 10NC 3-1/2" LG (1143077B105)	2
6		LOCKNUT 1/2" 13NC (1150555B112)	8
7		LOCKNUT 3/4" 10NC NYLON INSERT (1151384B102)	4
8		NUT 1/2" 20NF STANDARD (1154093B102)	6
9		LOCKNUT 3/4" 16 NF NI-THIN (1154700B102)	6
10		LOCKNUT 1/1/4" 7NC SPS FLEX LOCK (1155648B105)	6
11		NUT 7/8" 14JF TALL (1155876B108)	8
12		LOCKNUT 1" 8NC THIN NYLON INSERT (1155939B102)	4
13		LOCKNUT 1" 8NC SPS FLEX LOCK (1157492B105)	2
14		WASHER/SHIM UMHW 9GA (.15") (1160519B901)	4
15		WASHER/SHIM 12GA (1160519B903)	8
16		LOCKWASHER 1/2" S/T MED (1160556B100)	6
17	0008810	WASHER 3/4" SAE FLAT	2
18		LOCKWASHER 1/1/2" INT TOOTH (1160673B000)	8
19		WASHER 7/8" A-325 FLAT (1160686B100)	8
20		WASHER 1" SAE FLAT (1161677B000)	4
21		U-BOLT 7/8" 14NF 5.25X13/5" W/1"R (1173532B362)	2
22		U-BOLT 7/8" 14NF 5.688"X14 W/1"R (1173532B363)	2
23	1962422	SHOCK ABSORBER, DRIVE AXLE	2
24	1962430	SHOCK ABSORBER, TAG AXLE	2
25		AX 8"DRP 'R' SERIES 66.71BSS (1647606D905)	
26		HANGER ASSY - LH CTR MTG (3120001)	
27		HANGER ASSY - RH CTR MTG (3120002)	
28		AIR SPRING MTG BRKT - LH (3450008)	
29		SHOCK STUD ASSY 3/4" STUD (3504816B001)	2
30	0008811	SHOCK STUD ASSY	2
31	0008812	SWAYBAR MTG BRKT	
32		LBA-LH RAR-221 5.00" RD AXLE (4057749D100)	
33		LBA-RH RAR-221 5.00" RD AXLE (4057749D200)	
34		LBA RAD-227 LH/W230 (4260007)	
35		LBA RAD-227 RH/W230 (4260008)	
36	0008814	SWAYBAR AX BTKT W-230	
37		U-BOLT SPA J230 35.0 (4645761B230)	2
38		SHOCK BRKT @ AXLE 3/4" D (4674817B000)	2
39		ECCENTRIC BOLT ASSY (5001458B000)	6
40		SWAY BAR ASSY (5037264B304)(INCLUDES THE FOLLOWING INDENTED ITEMS)	
NI	4317301	BUSHING-SWAY BAR	2
NI	2122208	RH END ASSY, TORQUE ROD	
NI	2122216	LH END ASSY, TORQUE ROD	
41	8200834	TORQUE BEAM ASSY STR	2
42	0008815	TORQUE BEAM ASSY CVD	2

Q4RE

**REAR AIR SUSPENSION, DRIVE/FIXED TAG
(BEGINNING W/CSN 1000112)**

<u>KEY</u>	<u>PART NO</u>	<u>DESCRIPTION</u>	<u>QTY</u>
43		TORQUE BEAM ASSY 3 EYE 23.25" LH 246 (5097749B000)	2
44		CROSSCHANNEL ASSY A-28.500 (5487244B315)	
45		CLAMPING PLT 3.50" SQ 1.25" ID (7401494B000)	6
46		PLATE 3/16"XL"X4-1/2"A-36 (7506903V330)	4
47		ANTI TURN WASHER (9003092B000)	6
48	0008816	LOCKING PLATE	4
49	4317285	BUSHING 4-7/16"X1-1/2" 70D	AR
50	0961573	BUSHING 4-7/16"XL-1/2" 60D	AR
51	4317301	BUSHING 3" LG 1" ID	AR
52		AIR SPRING MTG BRKT-RH TAG (3450009)	
53		AIR SPRING MTG BRKT-LH DRIVE (3450010)	
54		AIR SPRING MTG BRKT-RH DRIVE (3450011)	
55		FORWARD/REAR CROSSMEMBER (3580004)	
56		CENTER/REAR CROSSMEMBER (3580005)	
57		REAR/REAR CROSSMEMBER (3580006)	
58	0871376	LEVELING VALVE	3
59	0007685	BRACKET, MTG, LEVELING VALVE	2

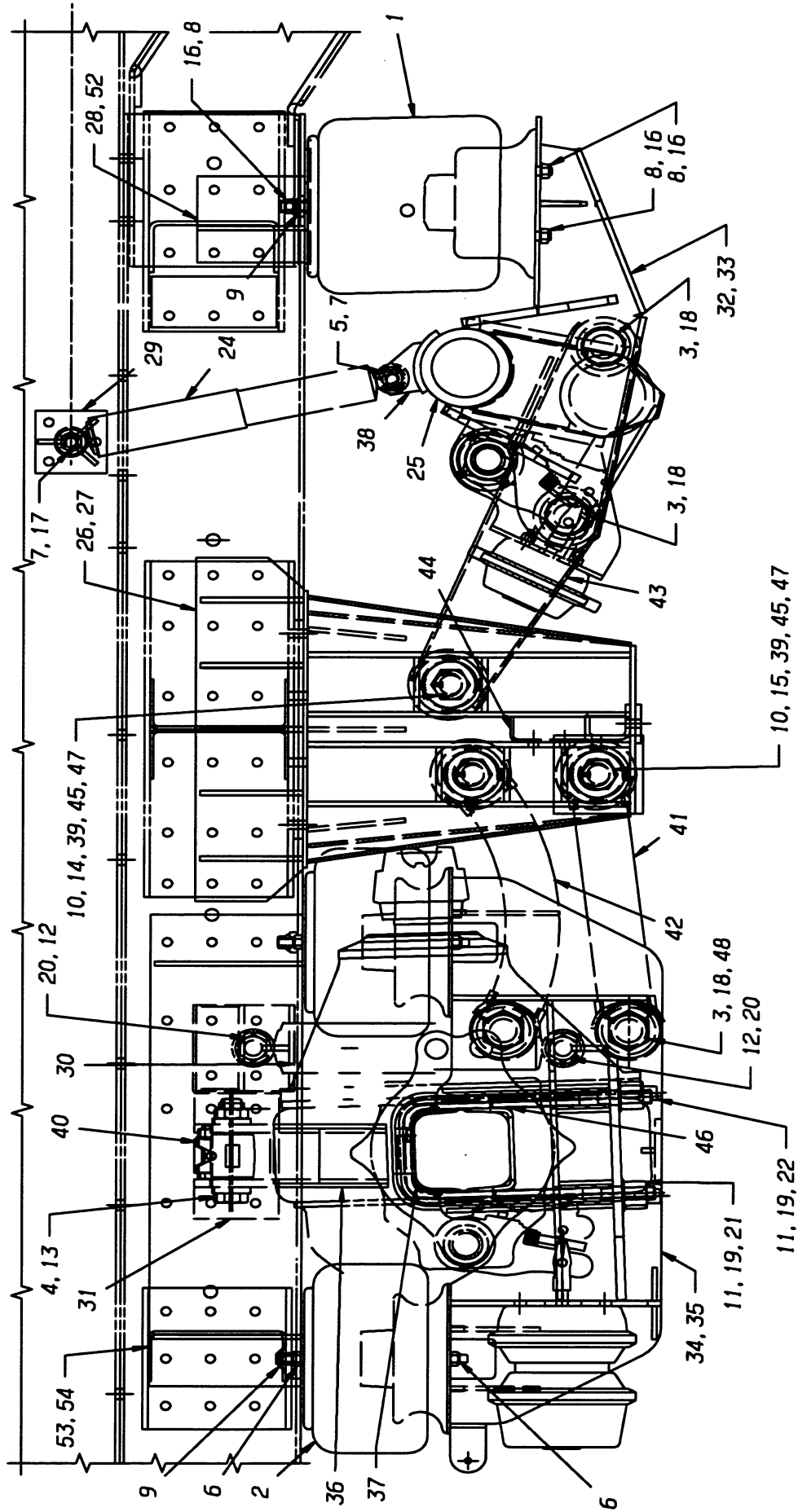
Q4RE

Notes



DR. 1/23/99	BY J. J.	19829662	D
APP. 1/23/99	BY AB	PRT	REV

© BLUE STAR BODY COMPANY, ALL RIGHTS RESERVED



**REAR AIR SUSPENSION, DRIVE/FIXED TAG
(BEGINNING W/CSN 10000112)**

<u>KEY</u>	<u>PART NO</u>	<u>DESCRIPTION</u>	<u>QTY</u>
1		AIR SPRING (1003589595C)	2
2	1624501	AIR SPRING	4
3		BOLT 1-1/2" 6NC 7" LG (1130670B105)	8
4		BOLT 1" 8NC 6" LG 1-1/4" THD (1135711B108)	2
5		BOLT 3/4" 10NC 3-1/2" LG (1143077B105)	2
6		LOCKNUT 1/2" 13NC (1150555B112)	8
7		LOCKNUT 3/4" 10NC NYLON INSERT (1151384B102)	4
8		NUT 1/2" 20NF STANDARD (1154093B102)	6
9		LOCKNUT 3/4" 16 NF NI-THIN (1154700B102)	6
10		LOCKNUT 1/1/4" 7NC SPS FLEX LOCK (1155648B105)	6
11		NUT 7/8" 14JF TALL (1155876B108)	8
12		LOCKNUT 1" 8NC THIN NYLON INSERT (1155939B102)	4
13		LOCKNUT 1" 8NC SPS FLEX LOCK (1157492B105)	2
14		WASHER/SHIM UMHW 9GA (.15") (1160519B901)	4
15		WASHER/SHIM 12GA (1160519B903)	8
16		LOCKWASHER 1/2" S/T MED (1160556B100)	6
17	0008810	WASHER 3/4" SAE FLAT	2
18		LOCKWASHER 1/1/2" INT TOOTH (1160673B000)	8
19		WASHER 7/8" A-325 FLAT (1160686B100)	8
20		WASHER 1" SAE FLAT (1161677B000)	4
21		U-BOLT 7/8" 14NF 5.25X13/5" W/1"R (1173532B362)	2
22		U-BOLT 7/8" 14NF 5.688"X14 W/1"R (1173532B363)	2
23	1962422	SHOCK ABSORBER, DRIVE AXLE	2
24	1962430	SHOCK ABSORBER, TAG AXLE	2
25		AX 8"DRP 'R' SERIES 66.71BSS (1647606D905)	
26		HANGER ASSY - LH CTR MTG (3120001)	
27		HANGER ASSY - RH CTR MTG (3120002)	
28		AIR SPRING MTG BRKT - LH (3450008)	
29		SHOCK STUD ASSY 3/4" STUD (3504816B001)	2
30	0008811	SHOCK STUD ASSY	2
31	0008812	SWAYBAR MTG BRKT	
32		LBA-LH RAR-221 5.00" RD AXLE (4057749D100)	
33		LBA-RH RAR-221 5.00" RD AXLE (4057749D200)	
34		LBA RAD-227 LH/W230 (4260007)	
35		LBA RAD-227 RH/W230 (4260008)	
36	0008814	SWAYBAR AX BTKT W-230	
37		U-BOLT SPA J230 35.0 (4645761B230)	2
38		SHOCK BRKT @ AXLE 3/4" D (4674817B000)	2
39		ECCENTRIC BOLT ASSY (5001458B000)	6
40		SWAY BAR ASSY (5037264B304)(INCLUDES THE FOLLOWING INDENTED ITEMS)	
NI	4317301	BUSHING-SWAY BAR	2
NI	2122208	RH END ASSY, TORQUE ROD	
NI	2122216	LH END ASSY, TORQUE ROD	
41	8200834	TORQUE BEAM ASSY STR	2
42	0008815	TORQUE BEAM ASSY CVD	2

Q4RE

**REAR AIR SUSPENSION, DRIVE/FIXED TAG, CONTINUED
(BEGINNING W/CSN 1000112)**

<u>KEY</u>	<u>PART NO</u>	<u>DESCRIPTION</u>	<u>QTY</u>
43		TORQUE BEAM ASSY 3 EYE 23.25" LH 246 (5097749B000)	2
44		CROSSCHANNEL ASSY A-28.500 (5487244B315)	
45		CLAMPING PLT 3.50" SQ 1.25" ID (7401494B000)	6
46		PLATE 3/16"XL"X4-1/2"A-36 (7506903V330)	4
47		ANTI TURN WASHER (9003092B000)	6
48	0008816	LOCKING PLATE	4
49	4317285	BUSHING 4-7/16"X1-1/2" 70D	AR
50	0961573	BUSHING 4-7/16"XL-1/2" 60D	AR
51	4317301	BUSHING 3" LG 1" ID	AR
52		AIR SPRING MTG BRKT-RH TAG (3450009)	
53		AIR SPRING MTG BRKT-LH DRIVE (3450010)	
54		AIR SPRING MTG BRKT-RH DRIVE (3450011)	
55		FORWARD/REAR CROSSMEMBER (3580004)	
56		CENTER/REAR CROSSMEMBER (3580005)	
57		REAR/REAR CROSSMEMBER (3580006)	
58	0871376	LEVELING VALVE	3
59	0007685	BRACKET, MTG, LEVELING VALVE	2

Q4RE

**KNEELING SYSTEM
FEATURE 40015-02**

<u>KEY</u>	<u>PART NO</u>	<u>DESCRIPTION</u>	<u>QTY</u>
NI	1161876	RELAY, ISO, W/O TAB	2
NI	1615822	BREAKER, CIRCUIT, 10 AMP	
NI	1642701	BRACKET, MOUNTING, LEVELING VALVE TO AXLE	
NI	1827625	KIT, VALVE ASSEMBLY, KNEELING FEATURE	
NI	1831627	HARNESS, WIRING, OPT. 4569	
NI	1845320	VALVE ASSEMBLY, PRESSURE	
NI	1995745	VALVE ASSEMBLY, R-12 & CONTROL VALVE	
NI	1261965	BRACKET, MOUNTING, HEIGHT CONTROL VALVE	2
NI	1157114	BRACKET, SUPPORT AIR SPRING	2
NI	0975631	SADDLE SUPPORT BRAKE CAM TUBE	2
NI	0982280	VALVE, RELAY, PILOT CONTROL	
NI	1028786	LINK ASSEMBLY, LEVELING VALVE ADJUSTMENT	
NI		TUBING, PLASTIC	
NI	1004621	1/8 OD BLACK	AR
NI	1346790	1/4 OD GREEN	AR
NI	1346832	1/4 OD RED	AR
NI	1346824	1/4 OD BLUE	AR
NI	1220037	3/8 OD RED	AR
NI	1346857	3/8 OD BLUE	AR

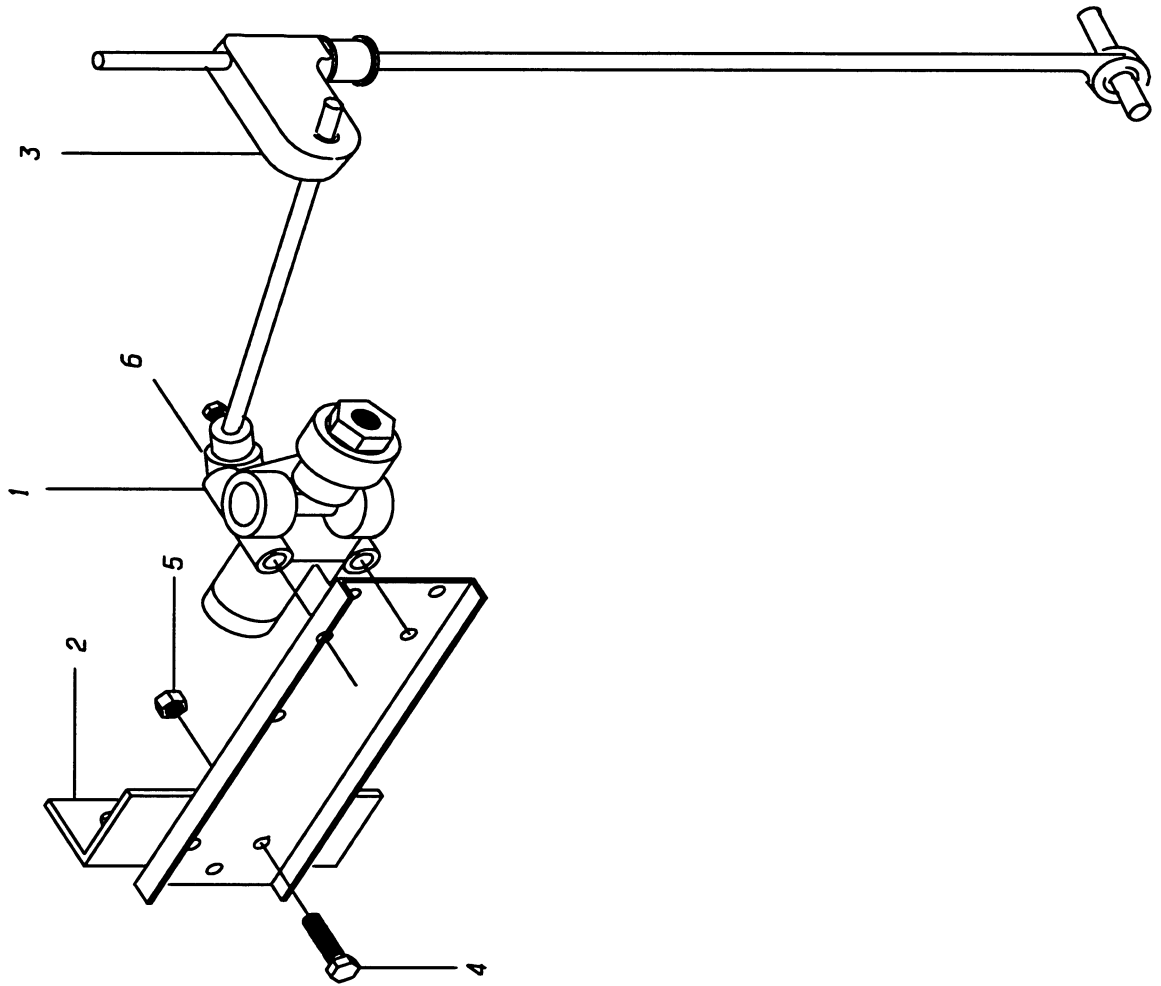
Q4RE

Revision 1/5/99



DR. 1/29/99 BY NW	1827625	B
APP. 1/29/99 BY MT	PRT	REV

© 2000 BILLY BIRD BODY COMPANY. ALL RIGHTS RESERVED

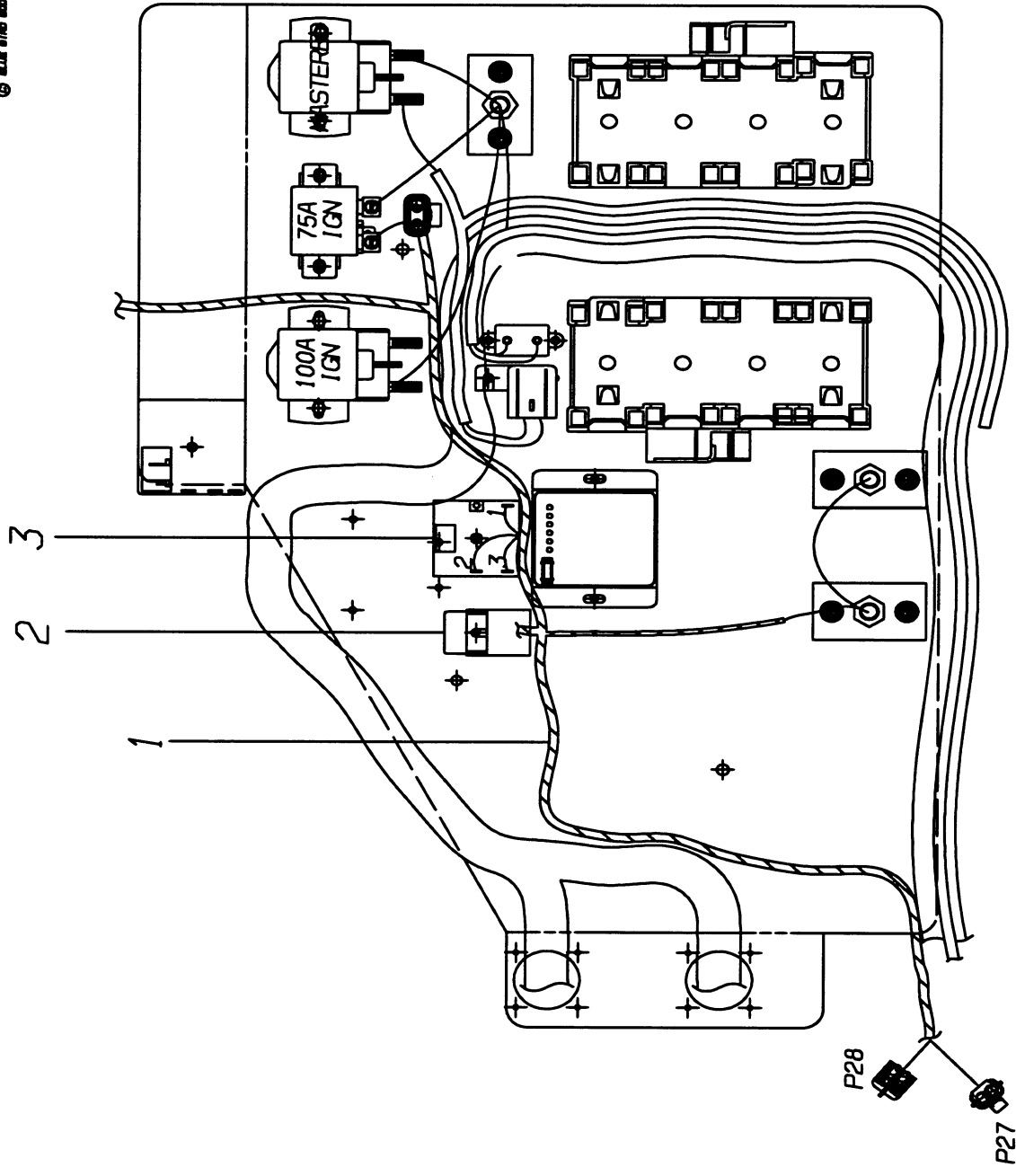


**HEIGHT CONTROL VALVE
FEATURE 40015-02**

<u>KEY</u>	<u>PART NO</u>	<u>DESCRIPTION</u>	<u>QTY</u>
1	0009426	HEIGHT CONTROL VALVE	
2		MOUNTING ANGLE	
3	0009427	HEIGHT ADJUSTMENT (CROSSTUBE) BRACKET	
4		BOLT, 1/4 X 1	
5		LOCKNUT 1/4	3
6		CAPSCREW	3

Q4RE

DR. 1/29/99 BY NJ	0001033	REV
APP. 1/29/99 BY AB	FRT	
© BLUE BIRD BODY COMPANY. ALL RIGHTS RESERVED		



**KNEELING SYSTEM ELECTRICAL COMPONENTS
FEATURE 40015-02**

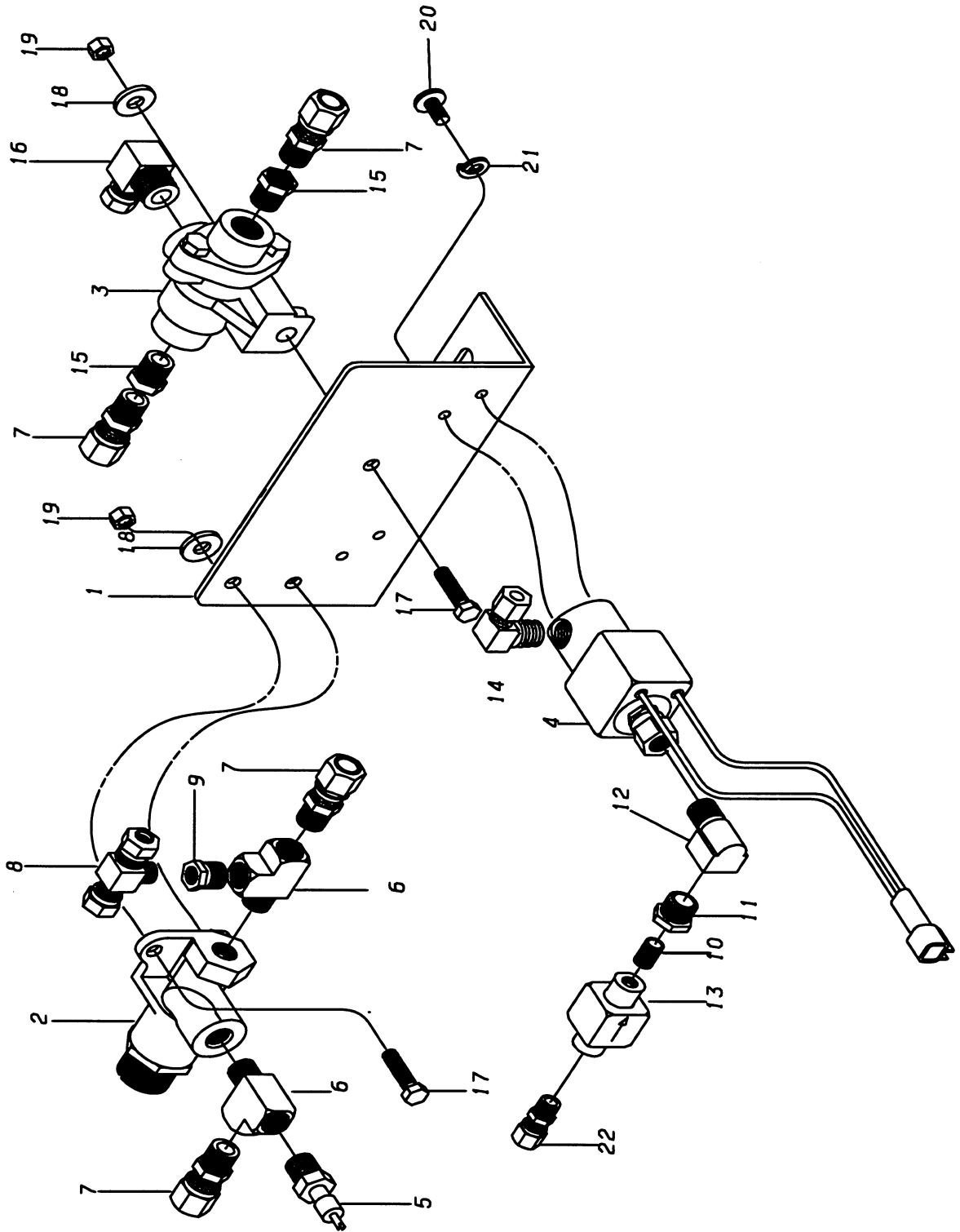
<u>KEY</u>	<u>PART NO</u>	<u>DESCRIPTION</u>	<u>QTY</u>
1	0015982	HARNESS, WRG, KNEELING CONTROL	
	1334689	SCREW, 10-32 X 3/8	2
2	1868017	RELAY	
3	0016089	TIMER, ELECTRONIC, DELAY ON MAKE	
	2000073	SCREW, 1/4-20 X 1, D	
NI	0599704	TIE, CABLE, NYLON	

Q4RE



DR. 1/29/99	BY: NJ	1845320	A
APP. 1/29/99	BY: MT		REV

© GILLES BIRD BODY COMPANY. ALL RIGHTS RESERVED



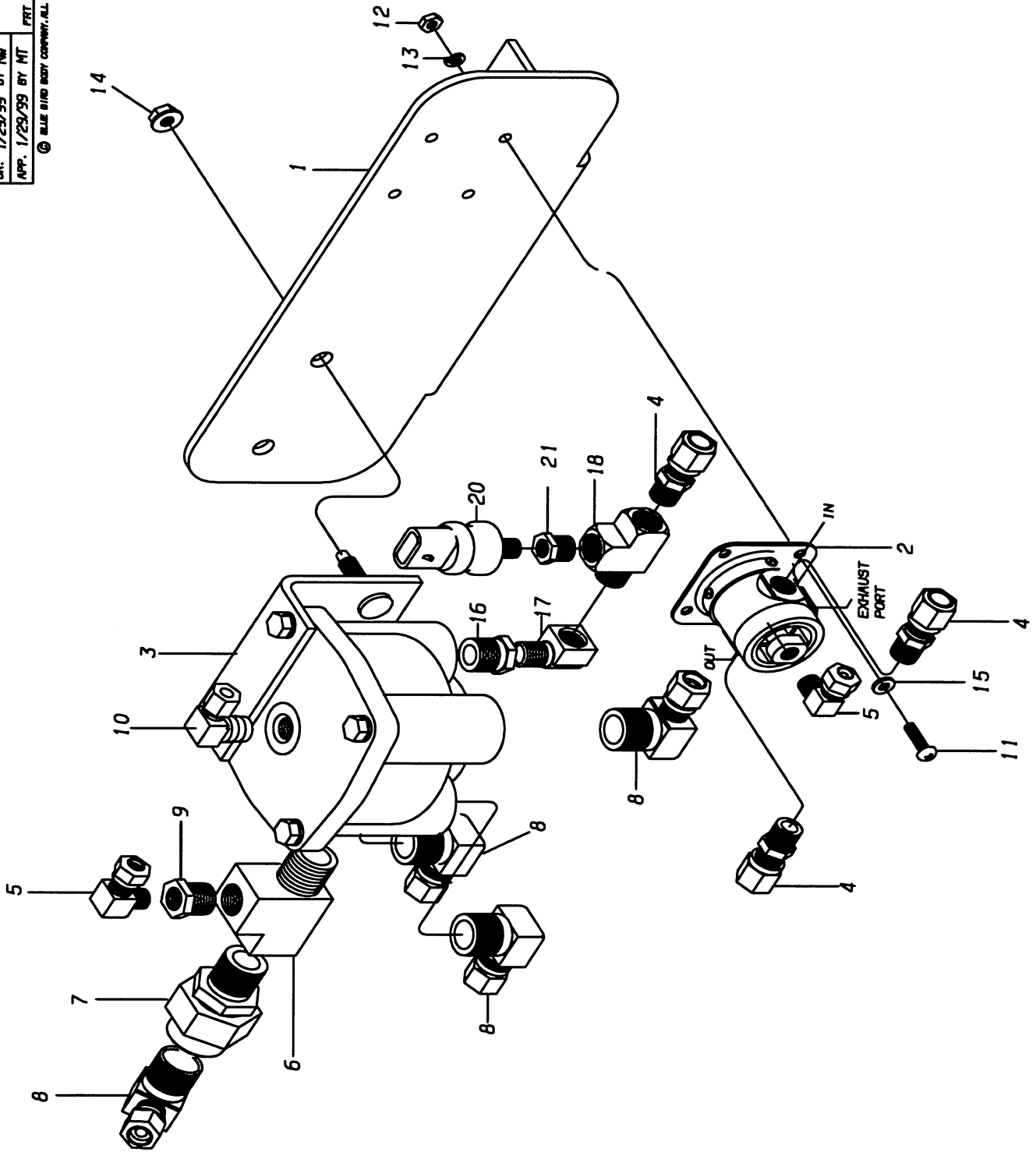
**VALVE ASSEMBLY, PRESSURE REGULATOR, DOUBLE CHECK
FEATURE 40015-02**

<u>KEY</u>	<u>PART NO</u>	<u>DESCRIPTION</u>	<u>QTY</u>
1	1853803	BRACKET, MTG, KNEELING FEATURE VALVES	
2	1164888	VALVE, PRESSURE REGULATOR	
3	0654434	VALVE, DOUBLE CHECK 3/8 PIPE	
4	1686831	VALVE, SOLENOID	
5	0818609	VALVE, SCHRAEDER, 1/4	
6	0654277	TEE, STREET, 1/4 PIPE	2
7	1414382	CONNECTOR, MALE	4
8	1538909	TEE, MALE, BRANCH	
9	2009009	BUSHING, PIPE, 1/8 X 1/4	
10	2051381	NIPPLE, BRASS 1/8 CLOSE 3326 X 2	
11	2008050	BUSHING, BRASS, JK DR, AIR	
12	2027233	ELBOW, STREET, 1/4	
13	1164870	VALVE, CHECK 1/8 PIPE	
14	1344092	ELBOW, 90 DEG, MALE	
15	2027134	BUSHING, PIPE 3/8 X 1/4	2
16	1344100	ELBOW, 90 DEG, MALE	
17	0870477	CAPSCREW, HEX, HD	3
18	1467000	WASHER, FLAT	3
19	1039262	NUT, HEX HD	3
20	1315092	SCREW	2
21	2001162	LOCKWASHER, SPLIT RING	2
22	1344829	CONNECTOR, MALE	

Q4RE



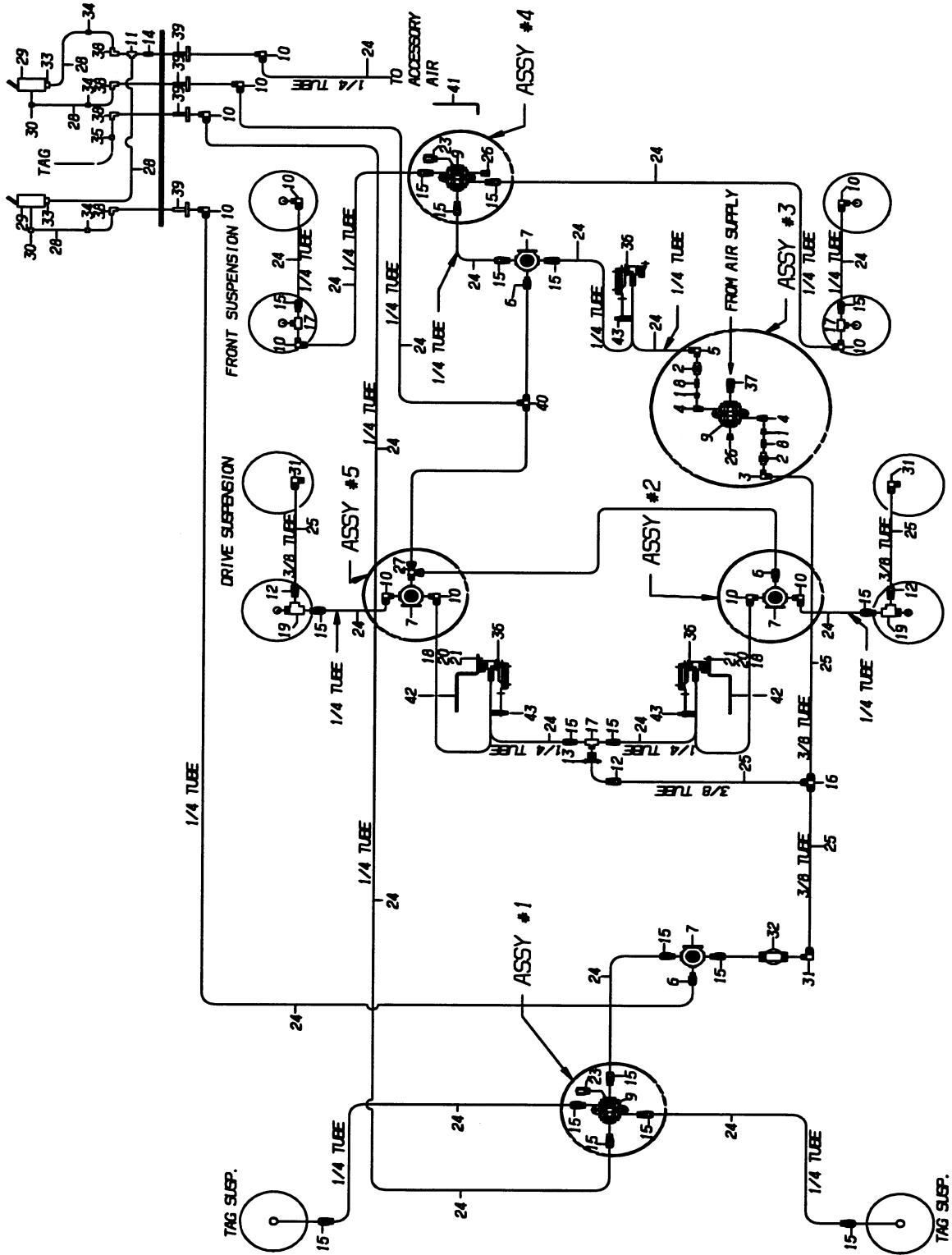
DR. 1/23/99 BY NM	1995745	B
APP. 1/23/99 BY MT		REV
PRT		
© GLENN BIRD BODY COMPANY, ALL RIGHTS RESERVED		



**CONTROL VALVE ASSEMBLY
FEATURE 40015-02**

<u>KEY</u>	<u>PART NO</u>	<u>DESCRIPTION</u>	<u>QTY</u>
1	1995737	BRACKET, MTG, R-12 & CONTROL VALVE	
2	1045574	VALVE, CONTROL	
3	1066679	VALVE, SERVICE BRKT RELAY, R12, W/LH SUSP	
4	1344126	CONNECTOR, MALE	3
5	1340371	ELBOW, 90 DEG, MALE	2
6	0654350	TEE, 1/2 PIPE STREET	
7	0001134	VALVE, SINGLE CHECK, 1/2 PIPE, STRAIGHT	5
8	1538917	ELBOW, 90 DEG, MALE	
9	2009025	BUSHING, PIPE, GALV., 1/8 X 1/2	
10	1344092	ELBOW, 90 DEG, MALE	
11	2000776	SCREW, MACH	4
12	2001287	NUT, HEX HD	4
13	2001162	LOCKWASHER, SPLIT RING	4
14	0829390	NUT. HEX HD	2
15	2001105	WASHER, FLAT	4
16	2027134	BUSHING, PIPE	
17	2027233	ELBOW, STREET	
18	0654277	TEE, STREET	
20	0016055	SWITCH, PRESSURE, SPDT 20 PSI	
21	2008050	BUSHING, BRASS 1/8 TO 1/4	

Q4RE



AIR SUSPENSION, PIPING AND VALVE ASSEMBLIES

<u>KEY</u>	<u>PART NO</u>	<u>DESCRIPTION</u>	<u>QTY</u>
1	2008050	BUSHING, BRASS, JK, DR, AIR	2
2	1164870	VALVE, CHECK, 1/8 PIPE	2
3	1538925	ELBOW, 90, MALE	1
4	2027233	ELBOW, STREET,	2
5	1340371	ELBOW, 90 DEG, MALE	1
6	1344829	CONNECTOR, MALE	4
7	0982280	VALVE, RELAY, PILOT CONTROL	4
8	2051381	NIPPLE, BRASS, 1/8	2
9	2023083	FITTING, MANIFOLD	3
10	1344092	ELBOW, 90 DEG, MALE	16
11	1047133	FITTING, T-BRASS, 1/8	1
12	1344126	CONNECTOR, MALE	3
13	1153303	ELBOW, ANCHOR, 1/4, 90 DEG	1
14	2009298	NIPPLE, PIPE, 1/8 CLOSE, GALV. PIPE	1
15	1414382	CONNECTOR, MALE	21
16	1542489	TEE, UNION	1
17	0559047	TEE, MALE, BRANCH, 1/4 PIPE	3
18	2001345	NUT, HEX HD, 1/4-20, LOCKING	2
19	0654277	TEE, STREET, 1/4 PIPE	2
20	2001121	WASHER, FLAT, 5/16 X 3/4 X 5/64	2
21	2000057	CAPSCREW, HEX HD	2
22		BRACKET, MTG, LEVELING VALVE	1
	1781384	(ENDING W/CSN 1000929)	
	0012286	(BEGINNING W/CSN 1000930)	
23	0982918	INDICATOR, LOW PRESS, LP-3	2
24	1346824	TUBING, PLASTIC, 1/4 OD	150 FT.
25	1346857	TUBING, PLASTIC, 3/8 OD	30 FT.
26	2023513	PLUG, PIPE	10
27	1542505	TEE, MALE RUN	1
28	1004621	TUBING, PLASTIC	6 FT.
29	2227338	VALVE, AIR	2
30	3827318	ELBOW, MALE SWIVEL	2
31	1344068	ELBOW, 90 DEG	3
32	1343227	VALVE ASSY, PRESS RED	1
33	3827243	CONNECTOR, MALE	2
34	3827201	CONNECTOR, MALE	3
35	2027118	PLUG, 1/8 PIPE	1
36	0871376	VALVE, HEIGHT CONTROL	3
37	1538941	CONNECTOR, MALE	1
38	2027225	ELBOW, STREET	4
39	0949370	ADAPTER, BULKHEAD	4
40	1546274	TEE, UNION	1
41		BRACKET, MTG., MANIFOLD	1
	1995752	(BEGINNING W/CSN 1000929)	
42		BRACKET, MTG., LEVELING VALVE	2
	0007685	(BEGINNING W/CSN 10020365)	
43		LINK ASSY, LEVELING VALVE, ADJUSTABLE	3
	1028786	(BEGINNING W/CSN 10020365)	

MANIFOLD ASSY., REAR SUSPENSION

<u>KEY</u>	<u>PART NO</u>	<u>DESCRIPTION</u>	<u>QTY</u>
	1910983	MANIFOLD ASSY, REAR SUSPENSION (NOT AVAILABLE AS AN ASSEMBLY) (SEE SUBPARTS BELOW)	
9	2023083	FITTING, MANIFOLD	1
15	1414382	CONNECTOR, MALE	4
23	0010579	INDICATOR, LOW PRESSURE	1

Q4RE

VALVE ASSY., DRIVE AXLE, PILOT RELAY

<u>KEY</u>	<u>PART NO</u>	<u>DESCRIPTION</u>	<u>QTY</u>
	1910033	VALVE ASSY, DRIVE AXLE, PILOT RELAY (NOT AVAILABLE AS AN ASSEMBLY) (SEE SUBPARTS BELOW)	
6	1344829	CONNECTOR, MALE	1
7	0982280	VALVE, RELAY, PILOT CONTROL	1
10	1344092	ELBOW, 90 DEG, MALE	2

Q4RE

MANIFOLD ASSY., AIR SUPPLY, AIR SUSPENSION

<u>KEY</u>	<u>PART NO</u>	<u>DESCRIPTION</u>	<u>QTY</u>
	1912039	MANIFOLD ASSY., AIR SUPPLY, AIR SUSP. (NOT AVAILABLE AS AN ASSEMBLY) (SEE SUBPARTS BELOW)	
1	2008050	BUSHING, BRASS, JK, DR, AIR	2
2	1164870	VALVE, CHECK, 1/8 PIPE	2
3	1538925	ELBOW, 90, MALE	1
4	2027233	ELBOW, STREET	2
5	1340371	ELBOW, 90 DEG, MALE	1
8	2051381	NIPPLE, BRASS, 1/8	2
9	2023083	FITTING, MANIFOLD	1
26	2023513	PLUG, PIPE	6
37	1538941	CONNECTOR, MALE	1

Q4RE

MANIFOLD ASSY., FRONT SUSPENSION

<u>KEY</u>	<u>PART NO</u>	<u>DESCRIPTION</u>	<u>QTY</u>
	1912013	MANIFOLD ASSY., FRONT SUSPENSION (NOT AVAILABLE AS AN ASSEMBLY) (SEE SUBPARTS BELOW)	
9	2023083	FITTING, MANIFOLD	1
15	1414382	CONNECTOR, MALE	3
23	0010579	INDICATOR, LOW PRESSURE	1
26	2023513	PLUG, PIPE	4

Q4RE

VALVE ASSY., SOL, 2 WAY

<u>KEY</u>	<u>PART NO</u>	<u>DESCRIPTION</u>	<u>QTY</u>
	1915602	VALVE ASSEMBLY, SOL, 2 WAY (NOT AVAILABLE AS AN ASSEMBLY) (SEE SUBPARTS BELOW)	
7	0982280	VALVE, RELAY, PILOT CONTROL	1
10	1344092	ELBOW, 90 DEG, MALE	2
27	1542505	TEE, MALE RUN	1

Q4RE

Notes

**ELECTRONIC THROTTLE CONTROL
FEATURE 40189-01 40190-01**

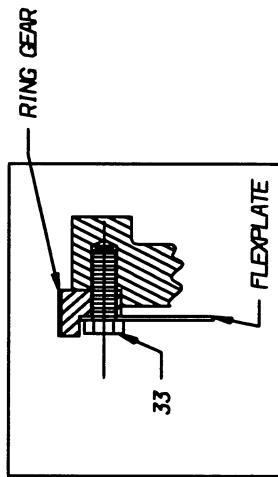
<u>KEY</u>	<u>PART NO</u>	<u>DESCRIPTION</u>	<u>QTY</u>
NI		TREADLE, ELECTRONIC, 45 DEGREE	
	1979681	(FEATURE 40189-01) CUMMINS	1
	1855626	(FEATURE 40190-01) DETROIT DIESEL	1
	1959600	BRACKET ASSY, TREADLE & ACCELERATOR PLATE	1
	2000230	SCREW, 5/16-18 X 1-1/2	4

Q4RE

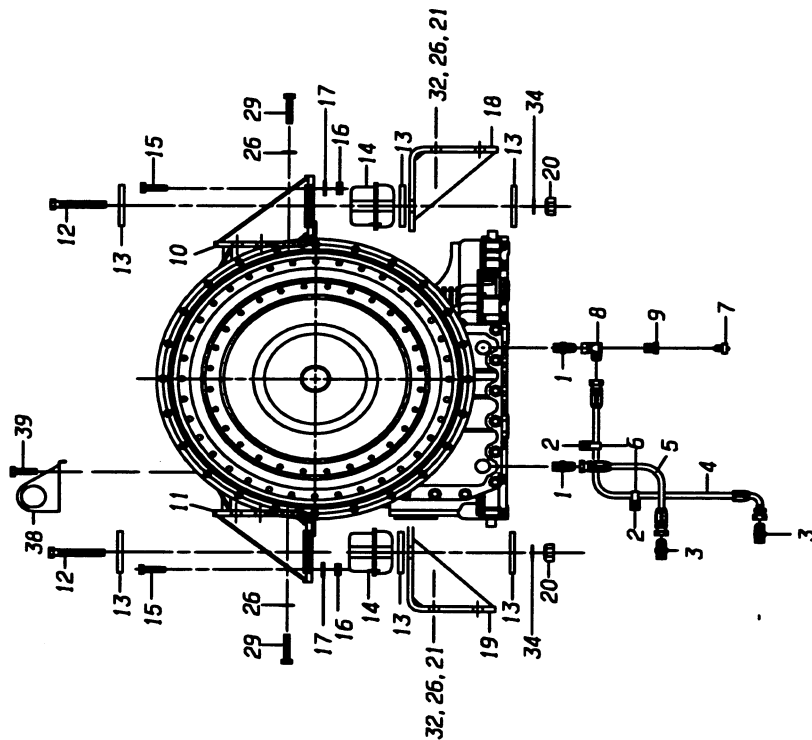
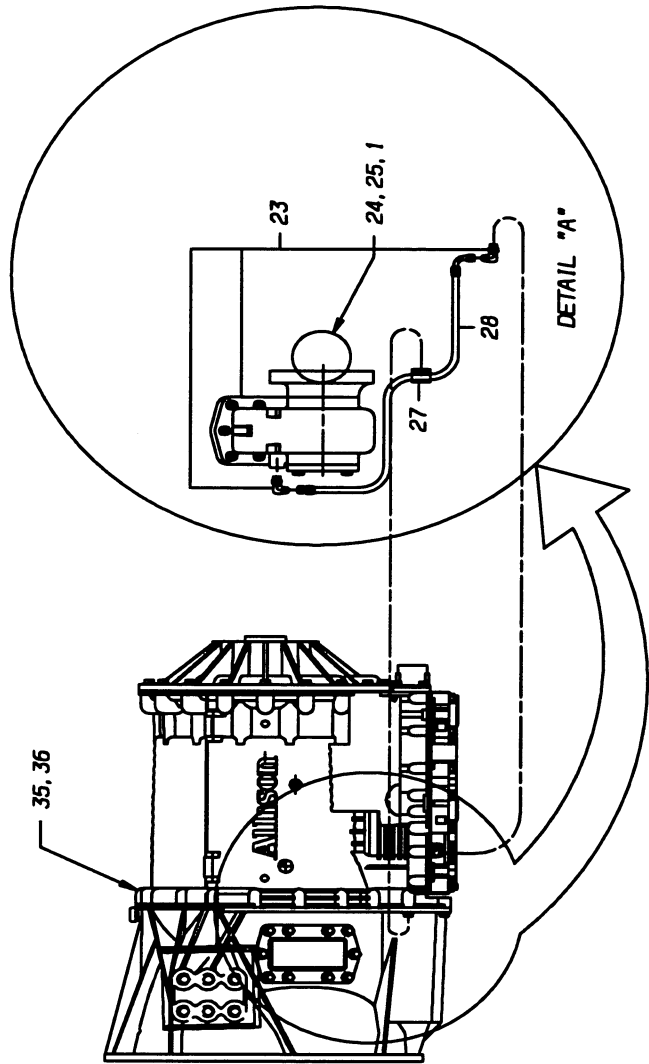
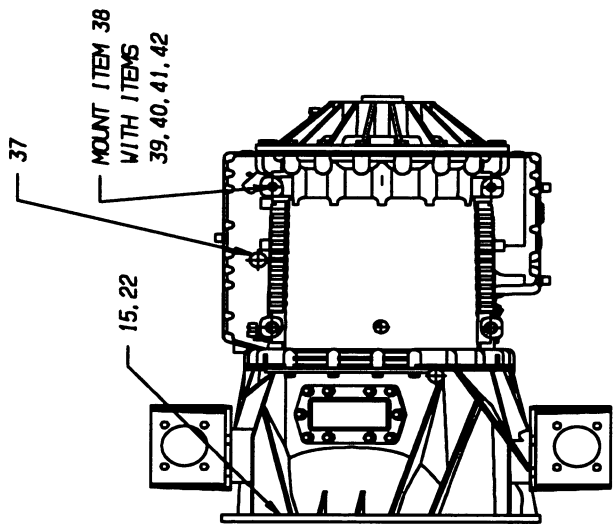
Notes



DR. 1/23/99 BY J.L.	---	1948025	F
APP. 1/23/99 BY AB	FRT		REV
© BALE BIRD BODY COMPANY, ALL RIGHTS RESERVED			



FLEXPLATE/RING GEAR ADAPTATION



TRANSMISSION COMPONENTS
FEATURE 40429-01, 40430-01, W/ 40189-01, HD4060P/B500P

<u>KEY</u>	<u>PART NO</u>	<u>DESCRIPTION</u>	<u>QTY</u>
1	1042878	ADAPTER	2
2	1501097	BRACKET, ATCH, BRAKE LINE TO FRAME	2
3	1135706	ADAPTER, 1012-12-165, 37DEG, STEEL FLARE	2
4	1900281	HOSE ASSY, 1.00 ID, 37 DEG, FEMALE SWIVEL	1
5	1900273	HOSE ASSY, 1.00 ID, 37 DEG, FEMALE SWIVELS	1
6	1225598	CLAMP, LOOP, 1.25	2
7	1939982	SENDER, TRANSMISSION OIL TEMPERATURE	1
8	1757079	ELBOW, SWIVEL NUT, 90 DEG WITH 1/2 FPT	1
9	2558559	BUSHING, HEX, 1/2 X 1/8, BRASS	1
10	1951383	MOUNT ASSY, TRANSMISSION, RH	1
11	1951391	MOUNT ASSY, TRANSMISSION, LH	1
12	1317783	CAPSCREW, HEX HD, 3/4-10 X 5, GR 8	2
13	0617902	WASHER, REAR ENGINE MTG	6
14	1947704	ISOLATOR, RUBBER	2
15	0801928	CAPSCREW, HEX HD, 7/16-14X1 1/2, GR8	8
16	0997080	NUT, HEX HD, 7/16-14, LOCKING, GR 8	8
17	0997072	WASHER, FLAT, 15/32 X 15/16 X 5/64, HDN	8
18	1951367	BRACKET ASSY, MTG, ENG/TRANS TO FRAME, RH	1
19	1951375	BRACKET ASSY, MTG, ENG/TRANS TO FRAME, LH	1
20	0933879	NUT, HEX HD, 3/4-10, PRVLG TORQ, GR8	2
21	1494244	WASHER, FLAT, 19/32 X 1 3/16 X 3/32, HRD	12
22	1764141	CAPSCREW, HEX HD, 9/16-18 X 1.75 GR8 SELF LK	12
23	1875392	KIT, PTO, 266 SERIES, FOR ALLISON HD4060 TRANS	1
24	1743889	TUBE & DIPSTICK ASSY, TRANS OIL, HD4060	1
25	1749589	CONNECTOR, STRAIGHT THREAD 24-20	1
26	0870907	WASHER, FLAT, 3/16	20
27	0854612	CLAMP, LOOP, .500	1
28	1494012	HOSE ASSY, HYD SHUTTERS, 18 INCHES LONG	1
29	1949338	CAPSCREW, HEX HD, M16-2.00 X 40, GR 10.9	12
30		N/A	
31	1422195	SEALANT, LOCTITE, THREADLOCKER 242, BLUE	8
32	1107895	CAPSCREW, HEX HD, 5/8-11 X 2, GR8	12
33	1947860	CAPSCREW, M8-1 HEX, GRADE 10 FLEXPLATE	12
34	0607036	WASHER, FLAT, 13/16	2
36		TRANSMISSION (SUPPLIED BY ALLISION)	1
37	1954544	TUBE AND DIPSTICK ASSY, TRANS OIL	1
NI	1596766	MODULE, VEHICLE INTERFACE	1
NI	1299098	RETAINER, ATEC WIRE HARNESS, PLUG	
NI	1944131	SELECTOR, PUSH BUTTON REMOTE, W/TEC 111	
NI	1784883	HARNESS, WIRING, ELECT-TRANS	
		ELECTRONIC CONTROL UNIT	
NI	1987197	(Q4RE) (FEATURE 40430-01)	
NI	0006877	(B4RE, W4RE) (FEATURE 40429-01)	
38	1987957	PLATE, MTG, TRANS HARNESS CONNECTOR	
39	2000321	CAPSCREW, HEX HD 1/2-13X 1/2	
40	2001477	NUT, HEX HD 1/2-13	
41	0850776	WASHER, FLAT, 17/32	
42	2001212	LOCKWASHER, SPLIT RING, 1/2	

Q4RE

Revision 1/99

*** TRANSMISSION COMPONENTS
FEATURE 40430-01 W/ 40190-01**

<u>KEY</u>	<u>PART NO</u>	<u>DESCRIPTION</u>	<u>QTY</u>
NI	1596766	MODULE, VEHICLE INTERFACE	1
NI	0010587	BRACKET, MTG, TRANS TAIL SUPT, SERIES 60	1
NI	1758846	ISOLATOR, RUBBER	2
NI	1944131	SELECTOR, PUSH BUTTON, REMOTE, WTEC III	1
NI	1780303	ANGLE, MTG, TRANSMISSION DIPSTICK TUBE	1
NI	1959618	ANGLE, TAIL SHAFT SUPPORT	1
NI	1954544	TUBE & DIPSTICK ASSY, TRANS OIL	1
NI	1783604	BOLT ,CRANKSHAFT, SERIES 60	12
NI	1989540	HARNESS, WRG, TRANSMISSION	1
NI	1989557	HARNESS, WRG, TRANSMISSION SHIFTER	1
NI	1989565	HARNESS, WRG, TRANSMISSION (VEHICLE INTERFACE TO TRANS ECU)	1
NI	1990621	SHIELD, DIPSTICK, TRANSMISSION	1
NI	0998146	PLUG, SPEEDOMETER DRIVE, ALLISON	1
NI	1078781	SENDER, WATER TEMP, 1/2 PIPE	1

* NOTE : BOM FOR TRANS COMPONENTS 2958940.

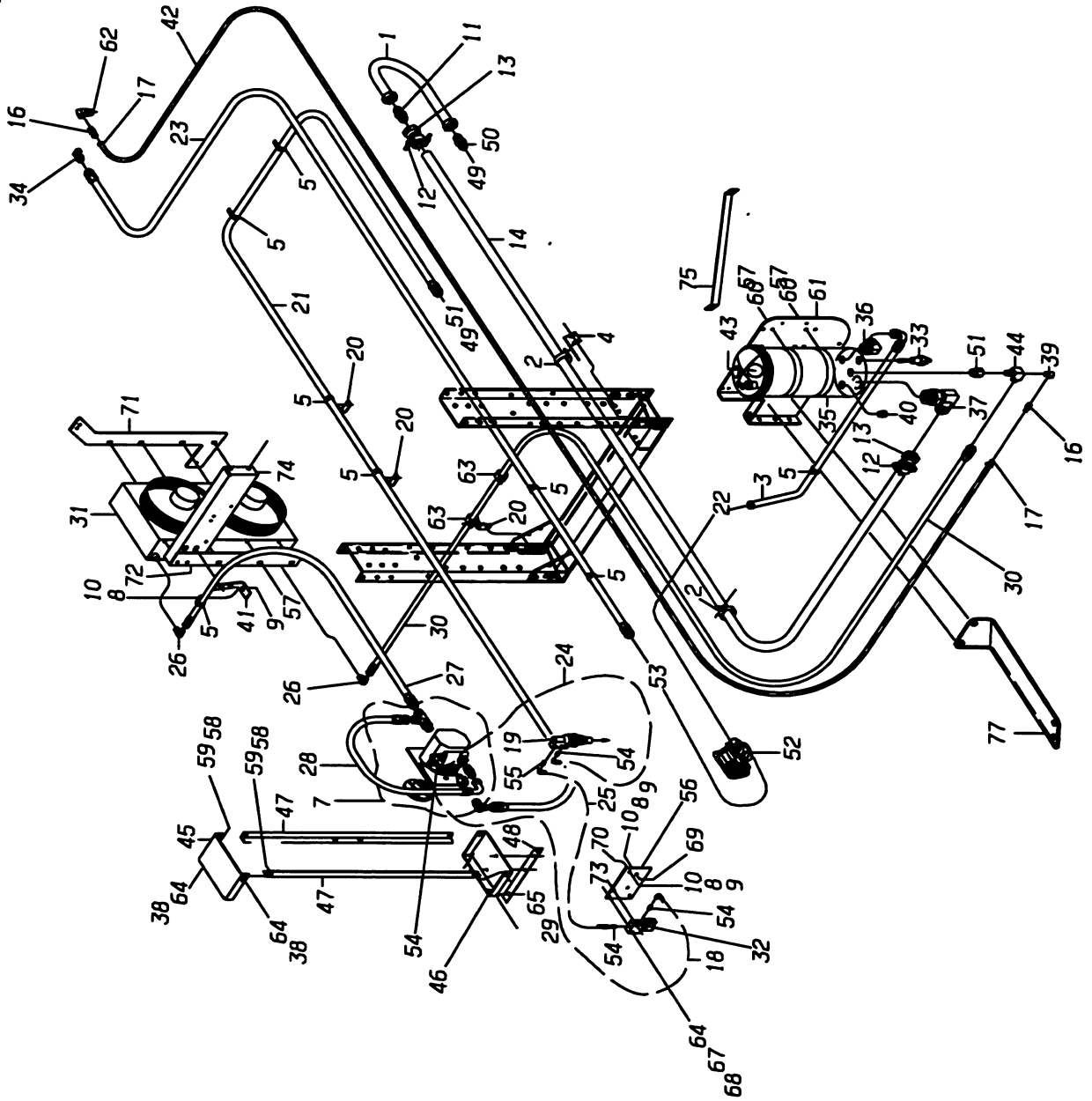
Q4RE

Notes



DR. 1/23/99	BY J.L.	1995158	E
APP. 1/23/99	BY AB	PRT	REV

© BILLY BIRD BIRD COMPANY. ALL RIGHTS RESERVED



**HYDRAULIC SYSTEM
FEATURE 40189-01 CUMMINS M 11**

<u>KEY</u>	<u>PART NO</u>	<u>DESCRIPTION</u>	<u>QTY</u>
1	1920040	TUBE ASSY,HYD PUMP TO HOSE ASSY	1
2	1674217	CLAMP,LOOP,2.25	2
3	1780386	HOSE ASSY15 DEG CLK	1
4	1867621	BRACKET,SUPPORT,TUBE ASSY,HYDRAULIC	1
5	1225598	CLAMP,LOOP,1.25	8
7	1904127	MOTOR ASSY,HYDRAULIC,COMPLETE	1
8	0882795	LOCKWASHER,SPLIT RING, 3/8	3
9	1078922	WASHER,FLAT,3/8	3
10	2001451	NUT,HEX HD,3/8-16	3
11	1749613	UNION,MALE 37 DEG	1
12	1759067	KIT,CLAMP,HOSE HYDRAULIC 1.50	2
13	1749522	CONNECTOR,HOSE,FEMALE,37 DEG	2
14	1759059	HOSE,HYDRAULIC	1
15	1743970	FAN ASSY,32.00 IN.,9 BLADE	1
16	1313840	INSERT,BARBED,STRAIGHT, .625 HOSE X .375MP	2
17	1025857	CLAMP,HOSE,SIZE 8,LINED	2
18	1996610	HOSE ASSY	1
19	1759075	VALVE,THERMOSTATIC	1
20	1501097	BRACKET,ATCH,BRAKE LINE TO FRAME	3
21	1990936	HOSE ASSY	1
22	1942531	ADAPTER,90 ELBOW,37 DEG FLARE,	1
23	1545359	HOSE ASSY,P/S,PRESSURE,1/2 ID.,486 IN LONG	1
24	1900257	HOSE ASSY,1/4 IN ID,37DEG,7/16-20	2
25	1996628	HOSE ASSY,1/4 IN ID	1
26	1056076	ADAPTER,849-FSO-16X16,37 DEG,STL FLARE	2
27	1964584	HOSE ASSY,	1
28	1758994	HOSE ASSY,	1
29	0419804	CAPSCREW,HEX HD,1/2-13 X 1,GR8,	1
30	1971381	HOSE ASSY,	1
31	1801828	COOLER ASSY,HAYDEN,DUAL FAN,W/CONN	1
32	1858125	VALVE ASSY,SOLENOID PILOT CONTROL	1
33	1774678	SENDER,HYDRAULIC OIL TEMPERATURE	1
34	1341650	ELBOW,45 DEG,.50 O-RINGX3/4-16 MALE FLARE	1
35	1760370	RESERVOIR,16 QT WITH O-RING BOSSES	1
NI	4322442	ELEMENT, HYD. RESERVOIR	1
36	1995182	ADAPTER,90 ELBOW,37 DEG FLARE	1
37	1759000	ELBOW,90 DEG,MALE,24 O-RING X 24 37 DEG	1
38	0989145	CAPSCREW,HEX HD,5/16-18 X 1	13

Q4RE

**HYDRAULIC SYSTEM
FEATURE 40189-01 CUMMINS M11**

KEY	PART NO	DESCRIPTION	QTY
39	2027241	ELBOW,STREET,90 DEGREE	1
40	1875210	PLUG,STRAIGHT THREAD O-RING 3/4-16	1
41	1915495	BRACKET,SUPPORT,HOSE,UPPER,HYD COOLER	1
42	1313774	HOSE,.625 ID X .906 OD	1
43	1876366	DECAL,HYDRAULIC SERVICE INSTRUCTION	1
44	1875202	ELBOW,SWIVEL NUT,90 DEG WITH 3/8 FPT	1
45	1877901	BRACKET,MTG,HYDRAULIC FAN MOTOR, TOP	1
46	1932482	BRACKET,MTG,HYDRAULIC FAN MOTOR,BOTTOM	1
47	1932508	ANGLE,MTG,HYDRAULIC FAN MOTOR	2
48	1932490	ANGLE,SUPT,HYDRAULIC FAN MOTOR	1
49	1743947	PUMP,HYDRAULIC	1
50	1749589	CONNECTOR,STRAIGHT THREAD 24-20	1
51	1042878	ADAPTER,848-FSO-16X16	2
52	1874841	PUMP,POWER STEERING	1
53	1166107	ELBOW,90 DEG,SAE,37 DEG FLARE	1
54	1749563	CONNECTOR,STRAIGHT THREAD 4 F5OX	4
55	1749571	CONNECTOR,STRAIGHT THREAD 5 F5OX	2
56	1884972	PLATE,MTG,PULSE WIDTH MODULATOR VALVE	1
57	0559195	CAPSCREW,HEX HD,3/8-16 X 1,GR 8	9
58	2001410	NUT,HEX HD,5/16-18,YEL ZN DICH	12
59	2001188	LOCKWASHER,SPLIT RING, 5/16,	12
60	0839027	NUT,HEX HD,3/8-16,GR G,SM FLG LK	8
61	1895028	BRACKET,MTG,HYD RESVR & FUEL FLTR	1
62	0668442	ELBOW,STRAIGHT THREAD,MALE	1
63	1039486	CLAMP,LOOP,1.50	2
64	2001121	WASHER,FLAT,5/16 X 3/4 X 5/64	16
65	2001212	LOCKWASHER,SPLIT RING, 1/2 ,LHT	1
66	2028579	LOCKWASHER,SPLIT RING, 3/8	2
67	2001170	LOCKWASHER,SPLIT RING, 1/4	2
68	2001337	NUT,HEX HD,1/4-20	2
69	0803213	CAPSCREW,HEX HD,3/8-16X1 1/4,GR8	1
70	0854851	CAPSCREW,HEX HD,3/8-16X1 3/4,GR8,	1
71	1957372	PLATE,MTG,HYDRAULIC OIL COOLER	1
72	1854215	PLATE,MTG,HYD OIL COOLER	1
73	1092337	CAPSCREW,HEX HD,1/4-20 X 2,	2
74	1957364	BRACKET,MTG,HYDRAULIC OIL COOLER	1
77	0002513	BRACE, HYDRAULIC RESERVOIR BRACKET TO A/C BASE	1

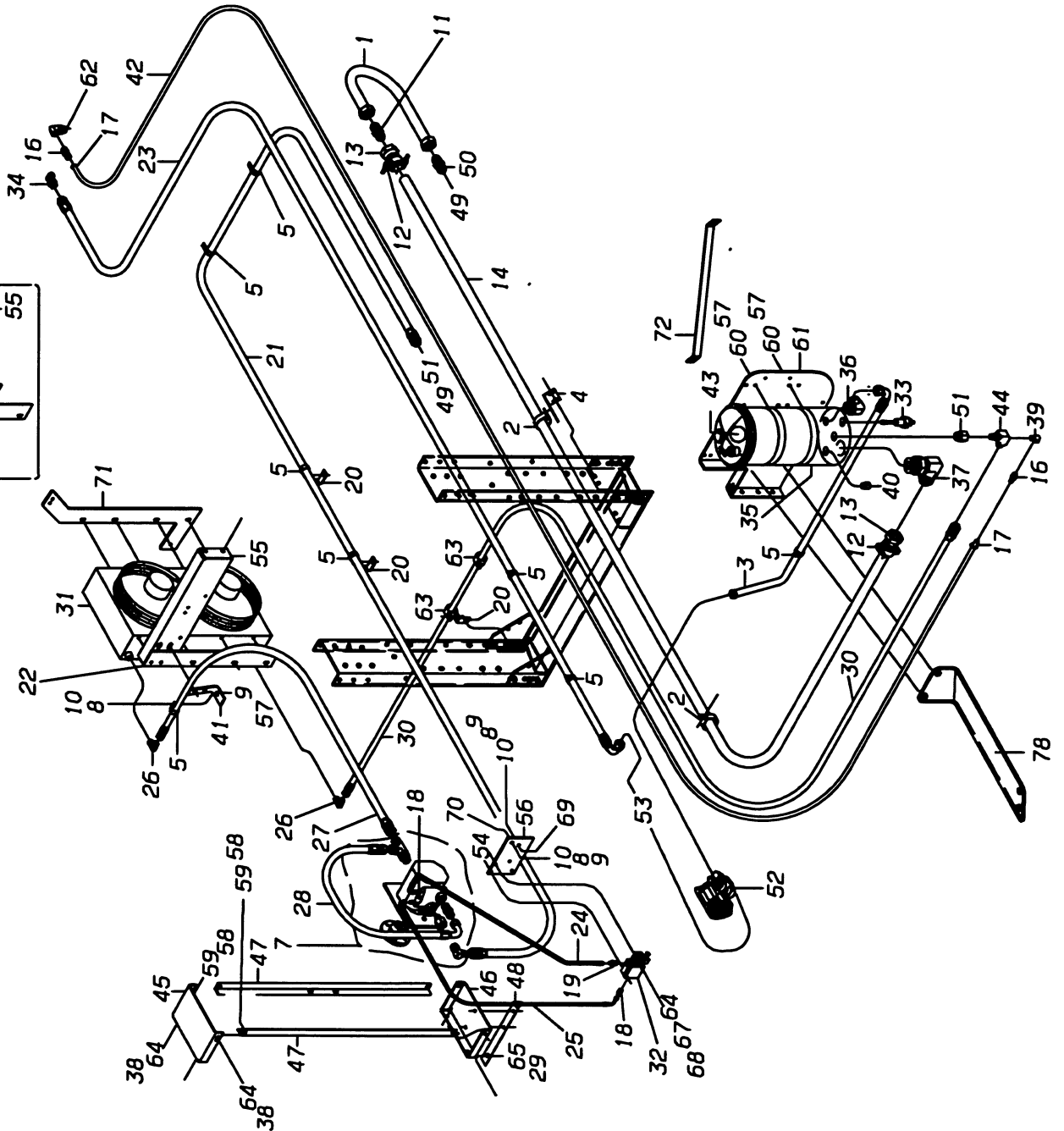
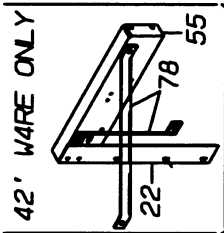
Q4RE

Notes



DR. 1/23/99 BY J.L.	19951661	E
APP. 1/23/99 BY AB	FRT	REV

© BLUE BIRD BODY COMPANY. ALL RIGHTS RESERVED



**HYDRAULIC SYSTEM
FEATURE 40190-01, DD SERIES 60**

<u>KEY</u>	<u>PART NO</u>	<u>DESCRIPTION</u>	<u>QTY</u>
1	1920040	TUBE ASSY,HYD PUMP TO HOSE ASSY	1
2	1674217	CLAMP,LOOP,2.25	2
3	1990910	HOSE ASSY	1
4	1867621	BRACKET,SUPPORT,TUBE ASSY,HYDRAULIC	1
5	1225598	CLAMP,LOOP,1.25	8
7	1904127	MOTOR ASSY,HYDRAULIC,COMPLETE	1
8	0882795	LOCKWASHER,SPLIT RING, 3/8	3
9	1078922	WASHER,FLAT,3/8 X 7/8 X 5/64	3
10	2001451	NUT,HEX HD,3/8-16	3
11	1749613	UNION,MALE 37 DEG	1
12	1759067	KIT,CLAMP,HOSE HYDRAULIC	2
13	1749522	CONNECTOR,HOSE,FEMALE,37 DEG	2
14	1759059	HOSE,HYDRAULIC,881-24	1
15	1743970	FAN ASSY,32.00 IN.,9 BLADE 3.50	1
16	1313840	INSERT,BARBED,STRAIGHT, .625 HOSE X .375MP	2
17	1025857	CLAMP,HOSE,SIZE 8,LINED	2
18	1900307	CONNECTOR,37 DEG,5/16 TUBE X 3/8 O-RING	1
19	1900299	CONNECTOR,37 DEG,1/4 TUBE X 3/8 O-RING	1
20	1501097	BRACKET,ATCH,BRAKE LINE TO FRAME	3
21	1990936	HOSE ASSY	1
22	1854215	PLATE,MTG,HYD OIL COOLER	1
23	1764125	HOSE ASSY,POWER STEERING SUPPLY	1
24	1900257	HOSE ASSY,1/4 IN ID,37DEG,7/16-20	1
25	1900265	HOSE ASSY,1/4 IN ID,37DEG,1/2-20	1
26	1056076	ADAPTER,849-FSO-16X16,37 DEG,STL FLARE	2
27	1964584	HOSE ASSY,	1
28	1758994	HOSE ASSY,F	1
29	0419804	CAPSCREW,HEX HD,1/2-13 X 1,GR8	1
30	1971381	HOSE ASSY.	1
31	1801828	COOLER ASSY,HAYDEN,DUAL FAN,W/CONN	1
32	1889575	VALVE,PULSE WIDTH MODULATOR	1
33	1774678	SENDER,HYDRAULIC OIL TEMPERATURE	1
34	1341650	ELBOW,45 DEG,.50 O-RINGX3/4-16 MALE FLARE	1
35	1760370	RESERVOIR,16 QT WITH O-RING BOSSES	1
NI	4322442	ELEMENT HYD. RESERVOIR	3
NI	4664504	BRACKET, BRACE, RESERVOIR, HYDRAULIC	
36	1995182	ADAPTER,90 ELBOW,37 DEG FLARE	1
37	1759000	ELBOW,90 DEG,MALE,24 O-RING X 24 37 DEG	1
38	0989145	CAPSCREW,HEX HD,5/16-18 X 1	13
39	2027241	ELBOW,STREET,90 DEGREE,	1


Q4RE

**HYDRAULIC SYSTEM
FEATURE 40190-01, DD SERIES 60**

<u>KEY</u>	<u>PART NO</u>	<u>DESCRIPTION</u>	<u>QTY</u>
40	1875210	PLUG,STRAIGHT THREAD O-RING 3/4-16	1
41	1915495	BRACKET,SUPPORT,HOSE,UPPER,HYD COOLER	1
42	1313774	HOSE,.625 ID X .906 OD,	1
43	1876366	DECAL,HYDRAULIC SERVICE INSTRUCTION	1
44	1875202	ELBOW,SWIVEL NUT,90 DEG WITH 3/8 FPT	1
45	1877901	BRACKET,MTG,HYDRAULIC FAN MOTOR, TOP	1
46	1932482	BRACKET,MTG,HYDRAULIC FAN MOTOR,BOTTOM	1
47	1932508	ANGLE,MTG,HYDRAULIC FAN MOTOR	2
48	1932490	ANGLE,SUPT,HYDRAULIC FAN MOTOR	1
49	1743947	PUMP,HYDRAULIC	1
50	1749589	CONNECTOR,STRAIGHT THREAD	1
51	1042878	ADAPTER,848-FSO-16X16	2
52	1874841	PUMP,POWER STEERING,TRW	1
53	1922897	ADAPTER,90 ELBOW,37 DEG FLARE	1
54	1092337	CAPSCREW,HEX HD,1/4-20 X 2	2
55	1957364	BRACKET,MTG,HYDRAULIC OIL COOLER	1
56	1884972	PLATE,MTG,PULSE WIDTH MODULATOR VALVE	1
57	0559195	CAPSCREW,HEX HD,3/8-16 X 1,GR 8	9
58	2001410	NUT,HEX HD,5/16-18	12
59	2001188	LOCKWASHER,SPLIT RING, 5/16	12
60	0839027	NUT,HEX HD,3/8-16,GR G,SM FLG LK	8
61	1895028	BRACKET,MTG,HYD RESVR & FUEL FLTR	1
62	0668442	ELBOW,STRAIGHT THREAD,MALE	1
63	1039486	CLAMP,LOOP,1.50	2
64	2001121	WASHER,FLAT,5/16 X 3/4 X 5/64	16
65	2001212	LOCKWASHER,SPLIT RING, 1/2 ,LHT	1
66	2028579	LOCKWASHER,SPLIT RING, 3/8	2
67	2001170	LOCKWASHER,SPLIT RING, 1/4	2
68	2001337	NUT,HEX HD,1/4-20	2
69	0803213	CAPSCREW,HEX HD,3/8-16X1 1/4,GR8	1
70	0854851	CAPSCREW,HEX HD,3/8-16X1 3/4,GR8	1
71	1957372	PLATE,MTG,HYDRAULIC OIL COOLER	1
72	1969518	BRACKET,RESERVOIR BRACE,HYD	1
78	0002513	BRACE, HYDRAULIC RESERVOIR BRACKET TO A/C BASE	1

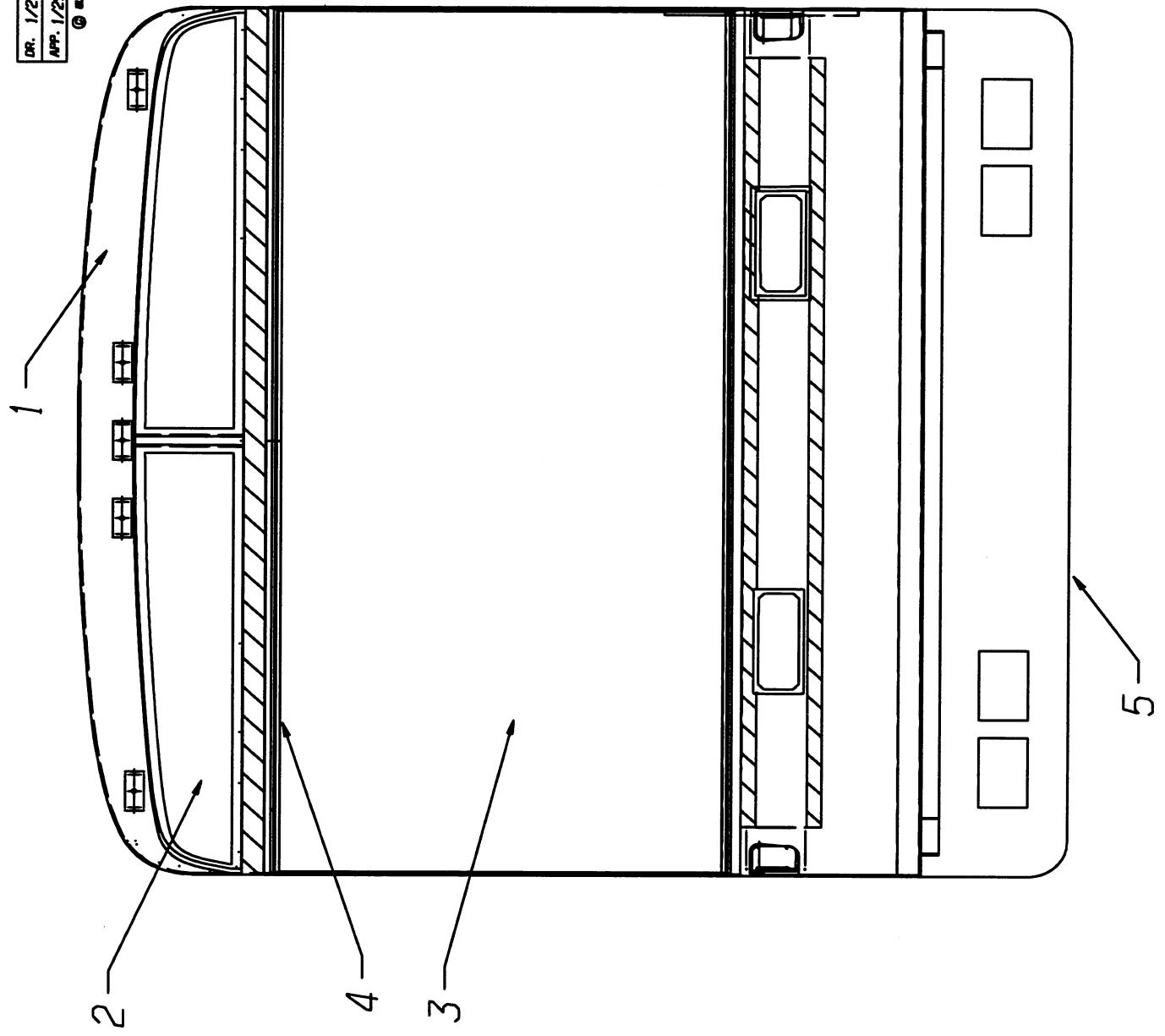
Q4RE

Notes



 DR. 1/29/99 BY NJ
 APP. 1/29/99 BY FF
 0005877
 FRT
 A
 REV

© 2000 BIRD BODY COMPANY. ALL RIGHTS RESERVED



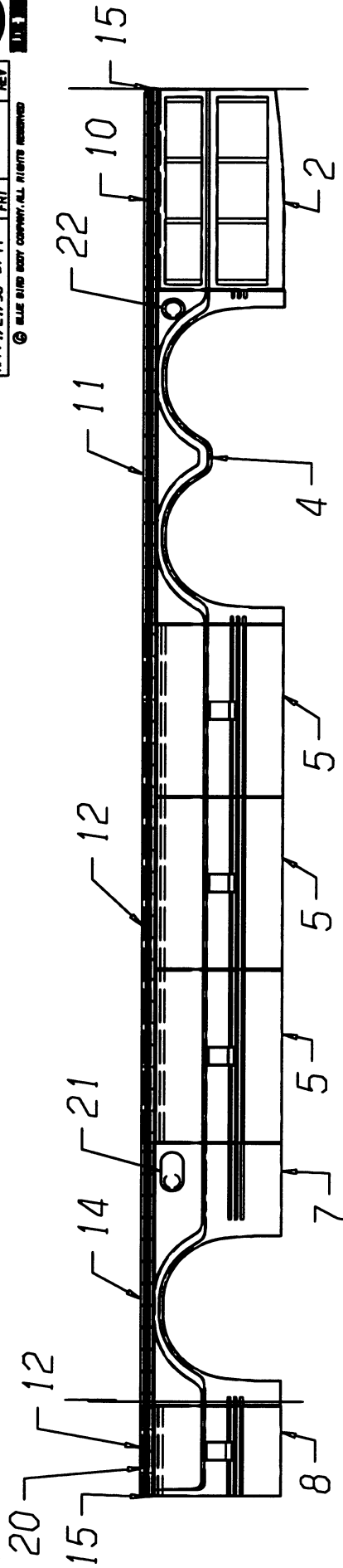
FRONT

<u>KEY</u>	<u>PART NO</u>	<u>DESCRIPTION</u>	<u>QTY</u>
1	0005877	CAP, FIBERGLASS, FRONT	
2		*GLASS, UPPER ROOF CAP, WINDSHIELD	
	1981422	RH	
	1981430	LH	
3		GLASS, WINDSHIELD	
	1870443	RH	
	1870450	LH	
4	1888510	RUBBER, WINDSHIELD SEAL	
NI	2000826	SCREW, MACH, 1/4 x 20 x 3/4, PH1, TRUSS HEAD (WIPER PANEL)	
5	1961127	PANEL, FIBERGLASS, HEADLIGHT BAR	
NI		NAME PLATE, LUXURY TOURING COACH	
	4618578	(ENDING W/BSN 20000792)	
	4618575	(BEGINNING W/BSN 20000793)	

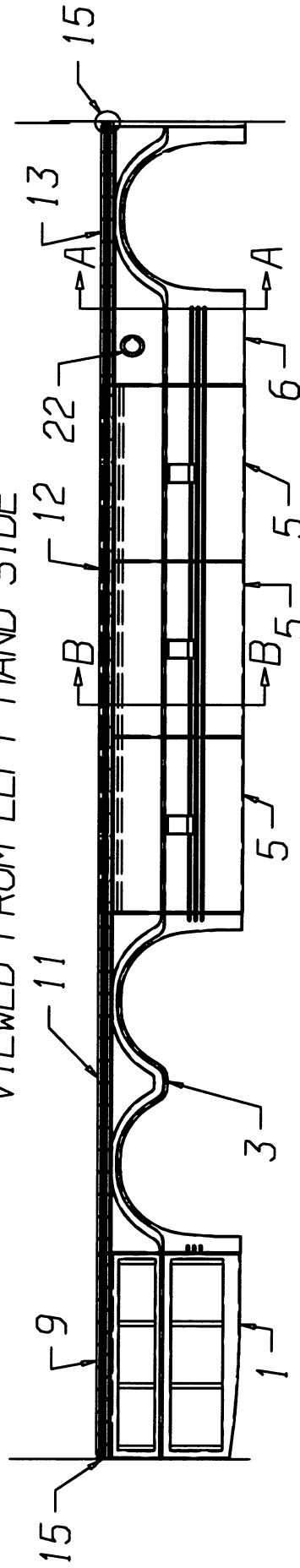
* UNITS BUILT BEFORE BSN 20000331 MUST ORDER LH 1981422,
RH 1981430, AND TRIM KIT 0005868 FOR REPLACEMENT

Q4RE

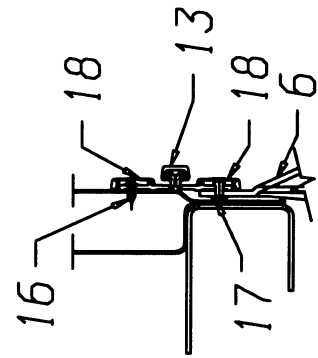
DR. 1/21/98 BY NM	1967447	F	REV
APP. 1/21/98 BY PF	FRT		
© BLUE BIRD BODY COMPANY, ALL RIGHTS RESERVED			
11 1 10			



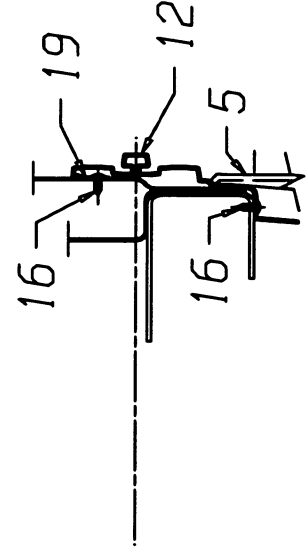
VIEWED FROM LEFT HAND SIDE



VIEWED FROM RIGHT HAND SIDE



SECTION A-A



SECTION B-B

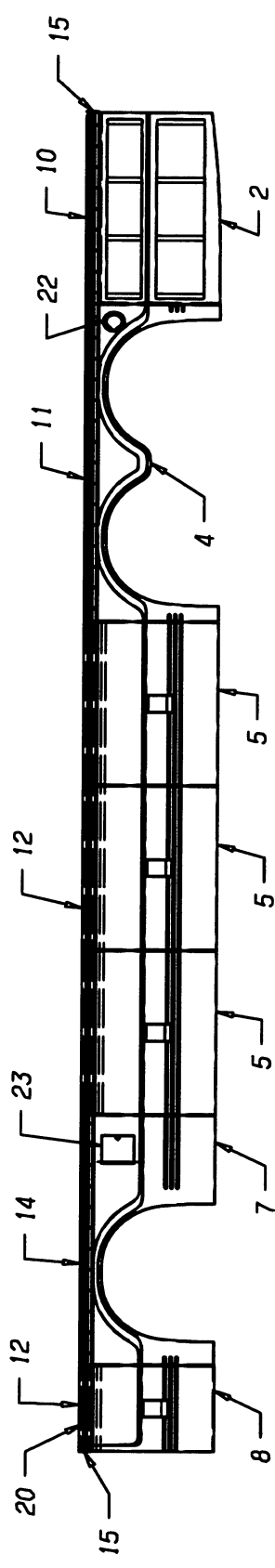
**EXTERIOR SIDE PANELS & COMPARTMENT DOORS
(ENDING W/ BSN 20000279)**

<u>KEY</u>	<u>PART NO</u>	<u>DESCRIPTION</u>	<u>QTY</u>
1	1979905	COVER ASSY., SIDE ENGINE COMPARTMENT, RH	
2	1979913	COVER ASSY., SIDE ENGINE COMPARTMENT, LH	
NI	6092738	GRILLE, UPPER	
NI	6092746	GRILLE, LOWER	
3	1953900	COVER, SIDE, WHEEL WELL, RH	
4	1953892	COVER, SIDE, WHEEL WELL, LH	
5	1972512	DOOR ASSY., LUGGAGE CMPT. (INCLUDES THE FOLLOWING INDENTED ITEMS)	
	1705318	HANDLE ASSY., LOCKING, LUGGAGE COMPARTMENT	
		KIT, LOCK, COMPARTMENT DOORS	
	1721513	(ENDING W/ BSN 20000746)	
	0001011	(BEGINNING W/ BSN 20000747)	
6	1959352	COVER, SIDE WHEEL WELL, RH FRONT	
7	1959360	COVER, SIDE WHEEL WELL, LH FRONT	
8	1972520	DOOR ASSY., LUGGAGE CMPT., DRIVERS	
9	1932920	HINGE, L/CMPT, RADIATOR, RH	
10	1932938	HINGE, L/CMPT, RADIATOR, LH	
11	1940378	HINGE, L/CMPT, RR, W/H	2
12	1954064	EXTRUSION, W/LUGG FLANGE	
13	1932953	HINGE, L/CMPT, FRT, RH, W/H	
14	1932946	HINGE, L/CMPT, FRT, LH, W/H	
15	1707264	CAP, END, HINGE ASSY., LUGGAGE CMPT	4
16	0864579	SCREW, 10-16 x 3/4, PAN HD	
17	0542019	RIVET, LONG CHERRY	
18	1707116	MOLDING, HINGE, SNAP-ON, 10 FT. LENGTH	
19	1931328	BRACKET, SUPPORT, EXTRUSION, 55.13	6
20	1931344	BRACKET, SUPPORT, EXTRUSION, 28.75	
21	1979764	DOOR ASSY., FUEL/LPG FILL	
22	1709765	DOOR ASSY., FUEL FILL W/LOCK	

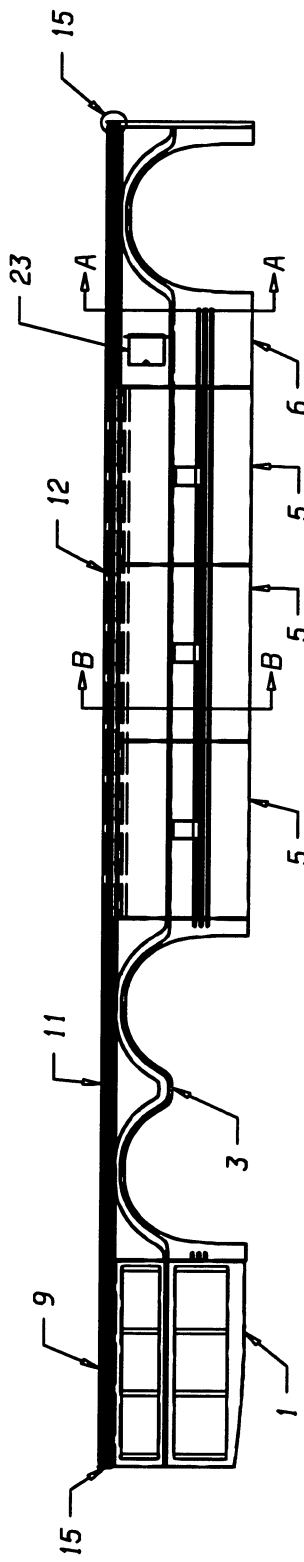
Q4RE



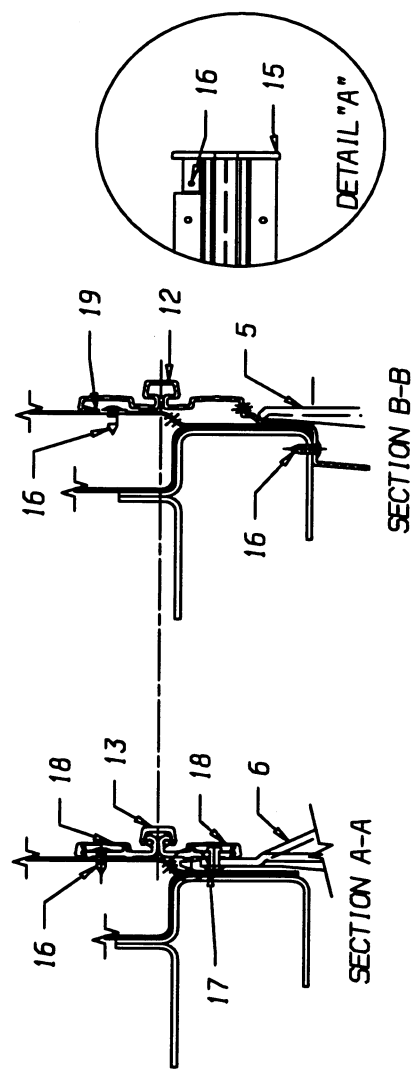
DR. 1/22/99	BY J.L.	0014209	D
APP. 1/22/99	BY AB	PRT	REV
© BALE BIRD BODY CORP. ALL RIGHTS RESERVED			



VIED FROM LEFT HAND SIDE



VIED FROM RIGHT HAND SIDE



**EXTERIOR SIDE PANELS & COMPARTMENT DOORS
(BEGINNING W/ BSN 20000280)**

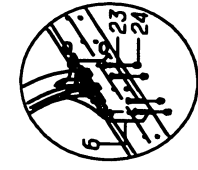
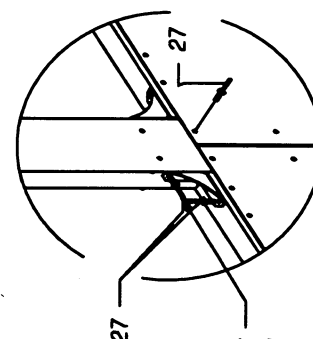
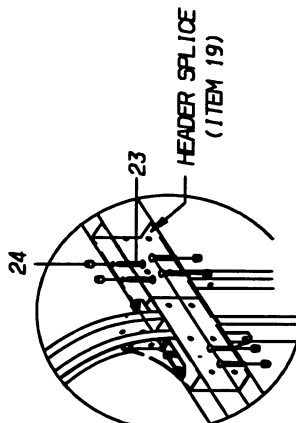
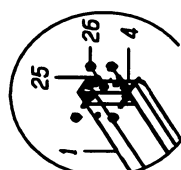
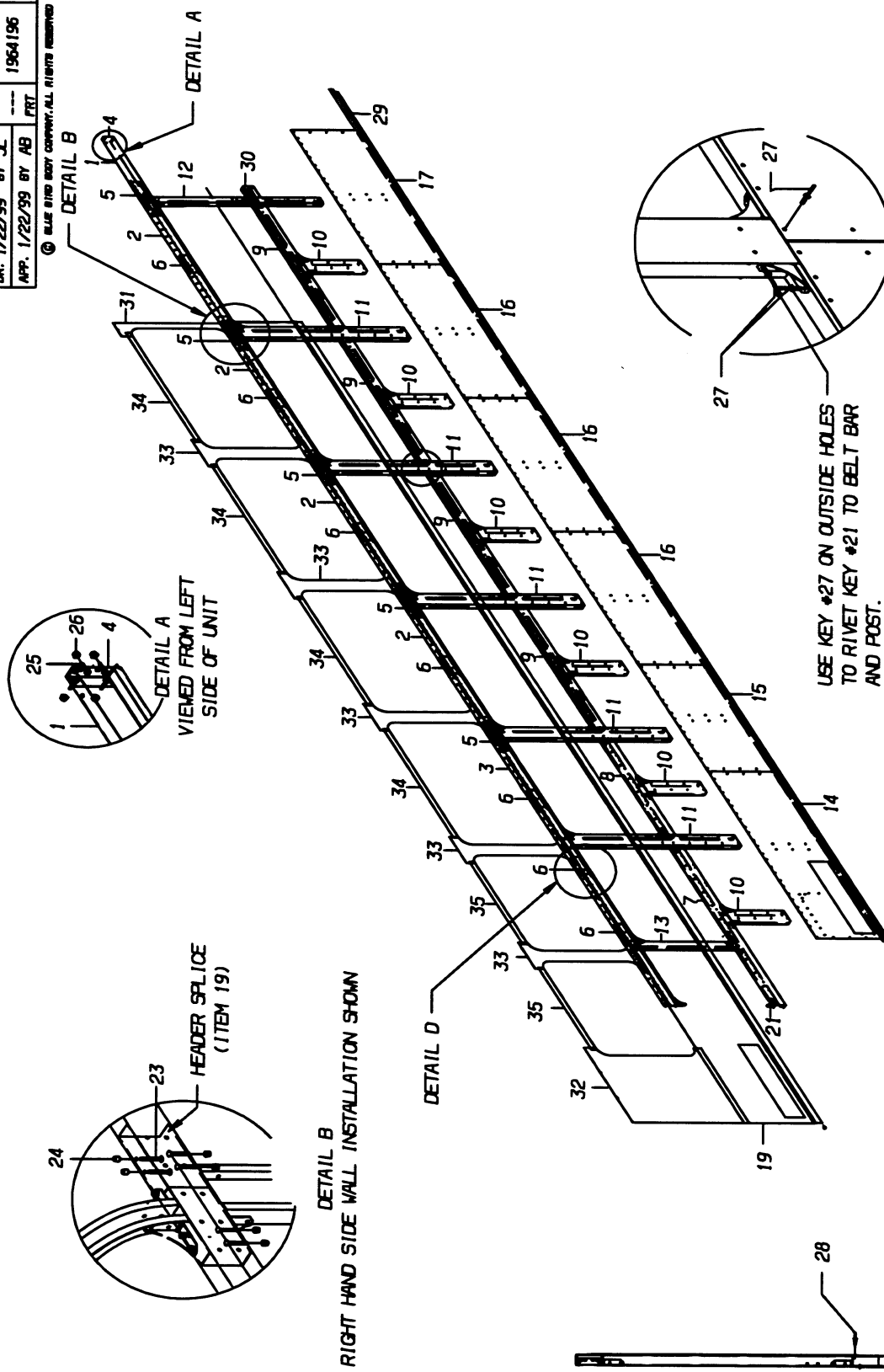
<u>KEY</u>	<u>PART NO</u>	<u>DESCRIPTION</u>	<u>QTY</u>
1	1979905	COVER ASSY., SIDE ENGINE COMPARTMENT, RH	
2	1979913	COVER ASSY., SIDE ENGINE COMPARTMENT, LH	
NI	6092738	GRILLE, UPPER	
NI	6092746	GRILLE, LOWER	
3	1953900	COVER, SIDE, WHEEL WELL, REAR, RH	
4	1953892	COVER, SIDE, WHEEL WELL, REAR, LH	
5	1972512	DOOR ASSY., LUGGAGE CMPT (INCLUDES THE FOLLOWING INDENTED ITEMS)	
	1705318	HANDLE ASSY., LOCKING, LUGGAGE COMPARTMENT	
		KIT, LOCK, COMPARTMENT DOORS	
	1721513	(ENDING W/ BSN 20000746)	
	0001011	(BEGINNING W/ BSN 20000747)	
6	0010777	COVER ASSY., SIDE WHEEL WELL, RH FRONT	
7	0010769	COVER ASSY., SIDE WHEEL WELL, LH FRONT	
8	1972520	DOOR ASSY., L/CMPT DOOR, DRIVERS	
9	1932920	HINGE, L/CMPT, RADIATOR, RH	
10	1932938	HINGE, L/CMPT, RADIATOR, LH	
11	1940378	HINGE, L/CMPT, REAR, WHEELHOUSING	
12	1954064	EXTRUSION, W/LUGG FLANGE	
13	1932953	HINGE, L/CMPT, FRONT, RH, WHEELHOUSING	
14	1932946	HINGE, L/CMPT, FRONT, LH, WHEELHOUSING	
15	1707264	CAP, END, HINGE ASSY., LUGGAGE CMPT.	
16	0864579	SCREW, 10-16 x 3/4, AB, PH1, PAN HEAD	
17	0542019	RIVET, LONG CHERRY	
18	1707116	MOLDING, HINGE, SNAP-ON, 10 FT. LENGTH	
19	1931328	BRACKET, SUPPORT, EXTRUSION, 55.13	
20	1931344	BRACKET, SUPPORT, EXTRUSION, 28.75	
22	1709765	DOOR ASSY., FUEL FILL W/ LOCK	
23	0010801	DOOR, FUEL FILL	

Q4RE



DR. 1/22/99	BY J.L.	1964196	F
APP. 1/22/99	BY AB	FRT	REV

© ALL RIGHTS RESERVED

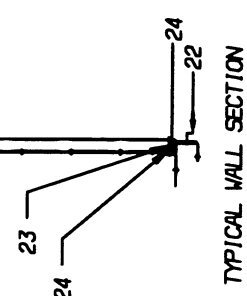


USE KEY #27 ON OUTSIDE HOLES TO RIVET KEY #21 TO BELT BAR AND POST.

GUSSET INSTALLATION DETAIL

HEADER REINFORCEMENT DETAIL

DETAIL B
RIGHT HAND SIDE WALL INSTALLATION SHOWN



TYPICAL WALL SECTION

OUTSIDE SIDE PANELS – LH

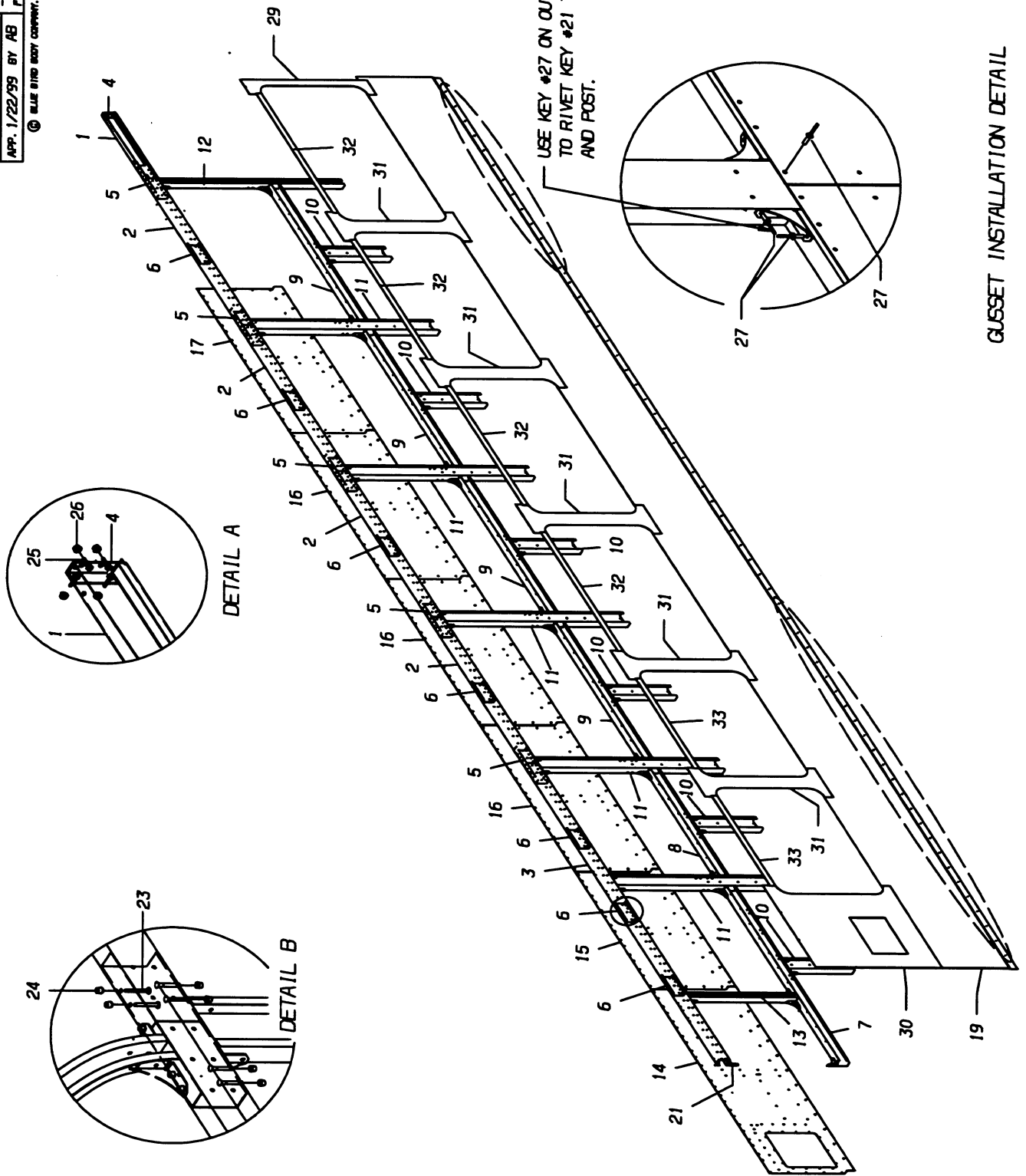
<u>KEY</u>	<u>PART NO</u>	<u>DESCRIPTION</u>	<u>QTY</u>
KEY	#1-17	SEE GROUP 310 "STRUCTURE"	
19	1931278	PANEL, O/SS, CONTINUOUS LOWER, RH	
KEY	#21-29	SEE GROUP 310 "STRUCTURE"	
30	1942374	PANEL, OUTSIDE SIDE , DRIVERS	
31	0005964	PANEL, OUTSIDE SIDE, UPPER, FRONT	
32	0005963	PANEL, OUTSIDE SIDE, UPPER, REAR, LH	
33	0005962	BOW CAP, DOUBLE BOW	5
34	1592641	PANEL, WINDOW, OUTSIDE, UPPER, 57"	
35	1590546	PANEL, WINDOW, OUTSIDE, UPPER, 43"	
NI	3943222	EXTRUSION, VISOR TRIM	4
NI	3954039	END CAP, VISOR TRIM	4
NI	1783588	INSULATION, SIDE PANELS, 2", 35" SECTION	8
NI	1244789	WASHER, INSULATION ANC, 1 3/4 FLAT	
NI	1740703	ANCHOR, INSULATION, 1 5/8 SPINDLE W/ ADHESIVE	

Q4RE



DR. 1/22/99	BY J. L.	1964188	E
APP. 1/22/99	BY AB	PRET	KEY

© WALS BIRD BODY COMPANY. ALL RIGHTS RESERVED



GUSSET INSTALLATION DETAIL

OUTSIDE SIDE PANELS – RH

<u>KEY</u>	<u>PART NO</u>	<u>DESCRIPTION</u>	<u>QTY</u>
KEY	#1-17	SEE GROUP 310 "STRUCTURE"	
19	1931278	PANEL, O/SS, CONTINUOUS LOWER, RH	
KEY	#21-28	SEE GROUP 310 "STRUCTURE"	
29		PANEL, O/SS, UPPER, FRONT, RH	
	1966605	(ENDING W/ 20010305)	
	0005964	(BEGINNING W/ 20010306)	
30		PANEL, O/SS, UPPER, REAR, RH	
	1966589	(ENDING W/ 20010305)	
	0005965	(BEGINNING W/ 20010306)	
31		BOW CAP, DOUBLE BOW	5
	3947827	(ENDING W/ 20010305)	
	0005962	(BEGINNING W/ 20010306)	
32	1592641	PANEL, WINDOW, OUTSIDE, UPPER, 57 IN.	4
33	1590546	PANEL, WINDOW, OUTSIDE, UPPER, 43 IN.	2
NI	3943222	EXTRUSION, VISOR TRIM	4
NI	3954039	END CAP, VISOR TRIM	4
NI	1783588	INSULATION, SIDE PANELS, 2", 35" SECTION	8

Q4RE

Notes

REAR

<u>KEY</u>	<u>PART NO</u>	<u>DESCRIPTION</u>	<u>QTY</u>
NI	1980648	PANEL ASSY., FIBERGLASS, REAR DOOR ASSY., REAR	
	1961093	(ENDING W/ BSN 20004319)	
	0012864	(BEGINNING W/ BSN 20004320)	
	1569516	COVER, ROOF EXHAUST, 6 IN. DOOR ASSY., DEARERATION TANK	
	1964386	(ENDING W/ BSN 20000746)	
	0011759	(BEGINNING W/ BSN 20000747)	
	1983766	GAS SPRING, FAL 22,150 LB., LOCKING BRACKET, MTG., LINKAGE, REAR ENGINE DOOR, LH	
	1976166	(ENDING W/ BSN 20004319)	
	0012823	(BEGINNING W/ BSN 20004320) BRACKET, MTG., LINKAGE, REAR ENGINE DOOR, RH	
	1976182	(ENDING W/ BSN 20004319)	
	0012831	(BEGINNING W/ BSN 20004320)	
	1984657	TUBE ASSY., UPPER LINKAGE, REAR ENGINE DOOR, RH	
	1984665	TUBE ASSY., UPPER LINKAGE, REAR ENGINE DOOR, LH	
	1976299	FRAME ASSY., LOWER LINKAGE, REAR ENGINE DOOR, COMPLETE	
	1976356	BRACKET, MTG., LINKAGE, REAR ENGINE DOOR, RH	
	1977057	PLATE, MTG., STRIKER, REAR ENGINE DOOR	2
	1983592	BRACKET, MTG., ELECTRICAL BOX, REAR	
	1983634	BRACKET, MTG., LINKAGE, REAR ENGINE DOOR, LH ANGLE, MTG., STRIKER PIN, REAR ENGINE DOOR	
	1983642	(ENDING W/ BSN 20005624)	
	0003342	(BEGINNING W/ BSN 20005625)	2
	1983691	PLATE, LEVER EXTENSION, LATCH, REAR ENGINE DOOR	2
	1983717	ROD, LATCH RELEASE, REAR ENGINE DOOR	2
	1983733	ANGLE, REINFORCEMENT, REAR ENGINE DOOR	3
	1983741	SPACER, .75 OD x .437 ID x .63 LONG	2
	1044668	BUMPER, RUBBER, RECESS, 1 1/2 x 1 1/2 DIA.	2
	1316686	STUD, GAS SPRING	4
	1316694	CLIP, GAS SPRING	4
	1328616	GAS SPRING, FA 22,150 LB.	
	1338243	LATCH, ROTARY, RH	
	1338250	LATCH, ROTARY, LH	
	1338300	ROD END, ALINABAL	2
	1339092	STRIKER, LATCH, ENGINE COMPARTMENT DOOR	2
	1339480	ROD, END, ALINABAL	2
	1450766	HANDLE, LATCH, ENGINE COMPARTMENT DOOR	
	1703057	BUMPER, RUBBER, ADJUSTABLE, 5/16-18 x 1 3/4 STUD	4

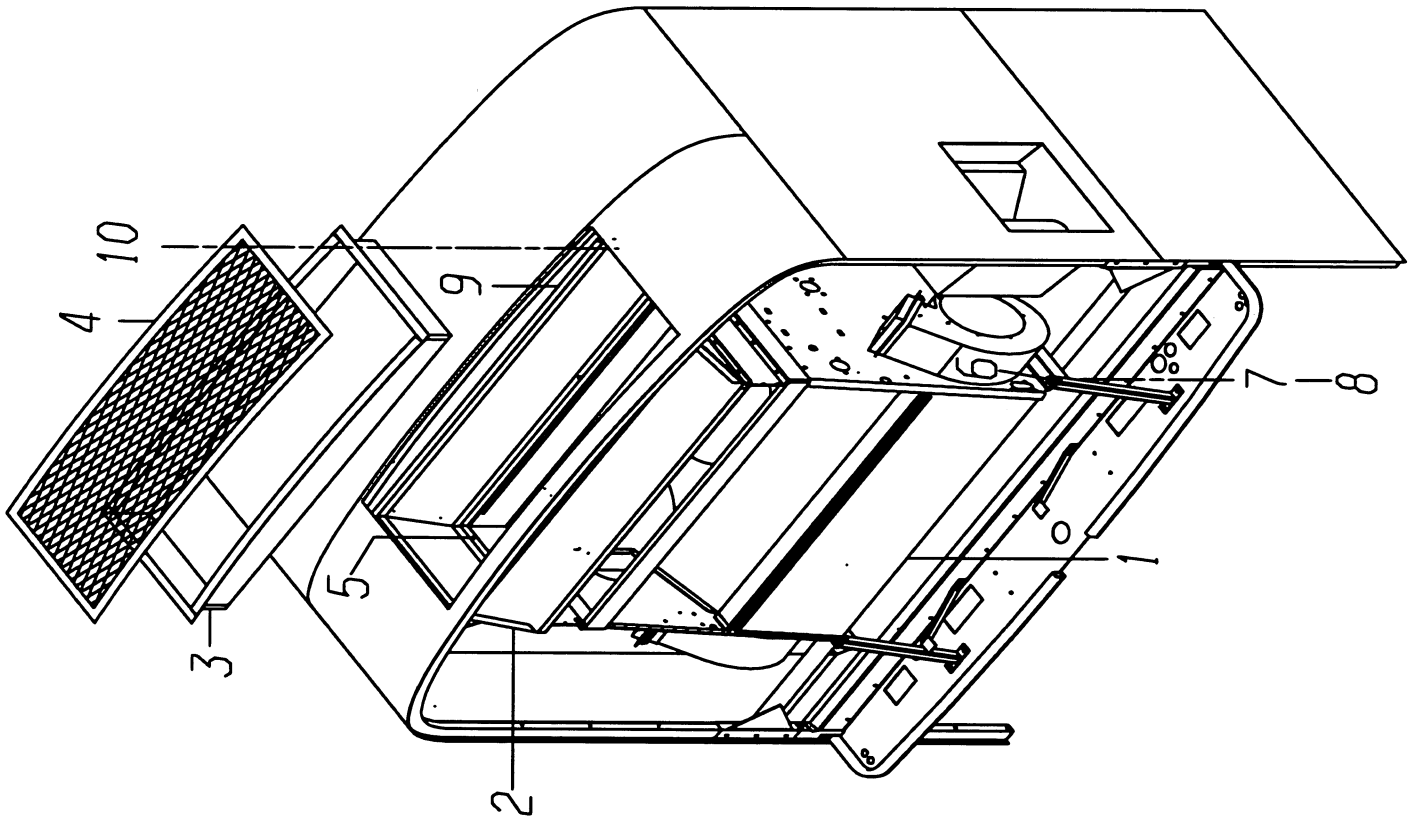
Q4RE



11118 11118

DR. 10/6/97 BY NM	1974740	REV
APP. 10/6/97 BY GH	FRT	

© HILTI LANG BODY COMPANY, ALL RIGHTS RESERVED



**AIR CONDITIONER COMPONENTS
FEATURE 38102-01**

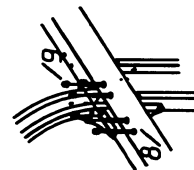
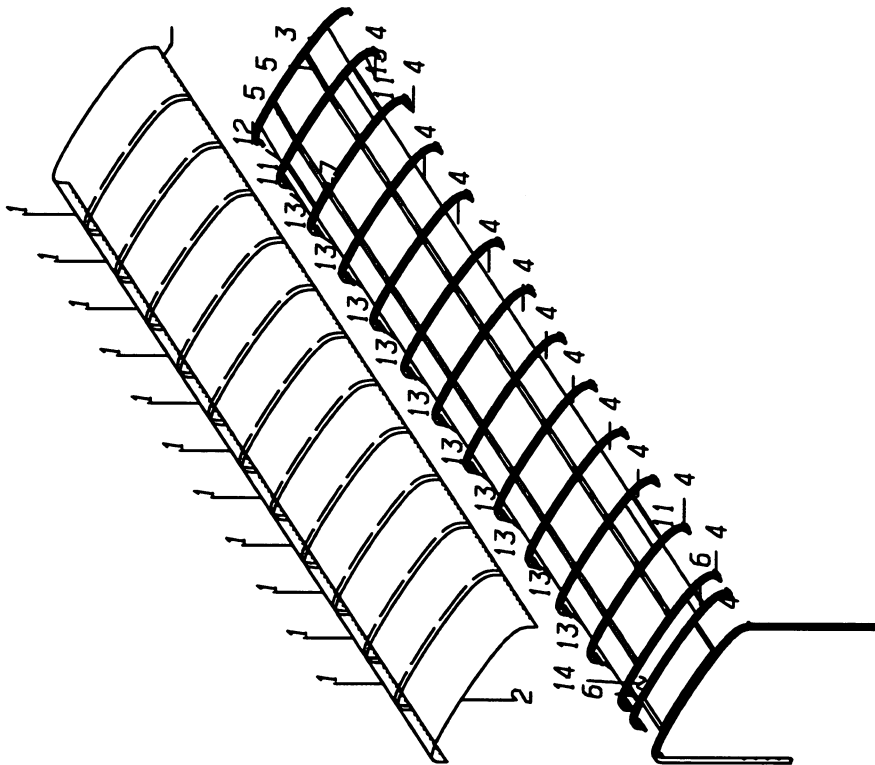
<u>KEY</u>	<u>PART NO</u>	<u>DESCRIPTION</u>	<u>QTY</u>
1	1952993	MODULE, EVAPORATOR	
2	1962935	PANEL ASSY., SHROUD	
3	1962984	PANEL ASSY., SHROUD, UPPER	
4	1962547	GRILL, CONDENSOR AIR INLET	
5	0977132	CAPSCREW, HEX HD, 1/4-20 x 3/4	
6	0977348	CAPSCREW, HEX HD, 5/16-18 x 2 3/4	
7	1167485	WASHER, FLAT, 11/32 x 11/16 x 5/64	
8	1480433	NUT, HEX HD, 5/16-18	
9	1829704	SEAL, RUBBER	
10	1143684	SCREW, 1/4-14 x 1, PAN HD	
NI	0621953	TAPE, FOAM, 1/8 x 3/4	
NI	0315200	ADAPTER, HEATER, 3/4 PIPE x 1 HOSE	2

Q4RE



DR. 5/15/98	BY MB	1964261	REV
APP.	BY	FRT	

© BILLY BIRD BODY COMPANY. ALL RIGHTS RESERVED

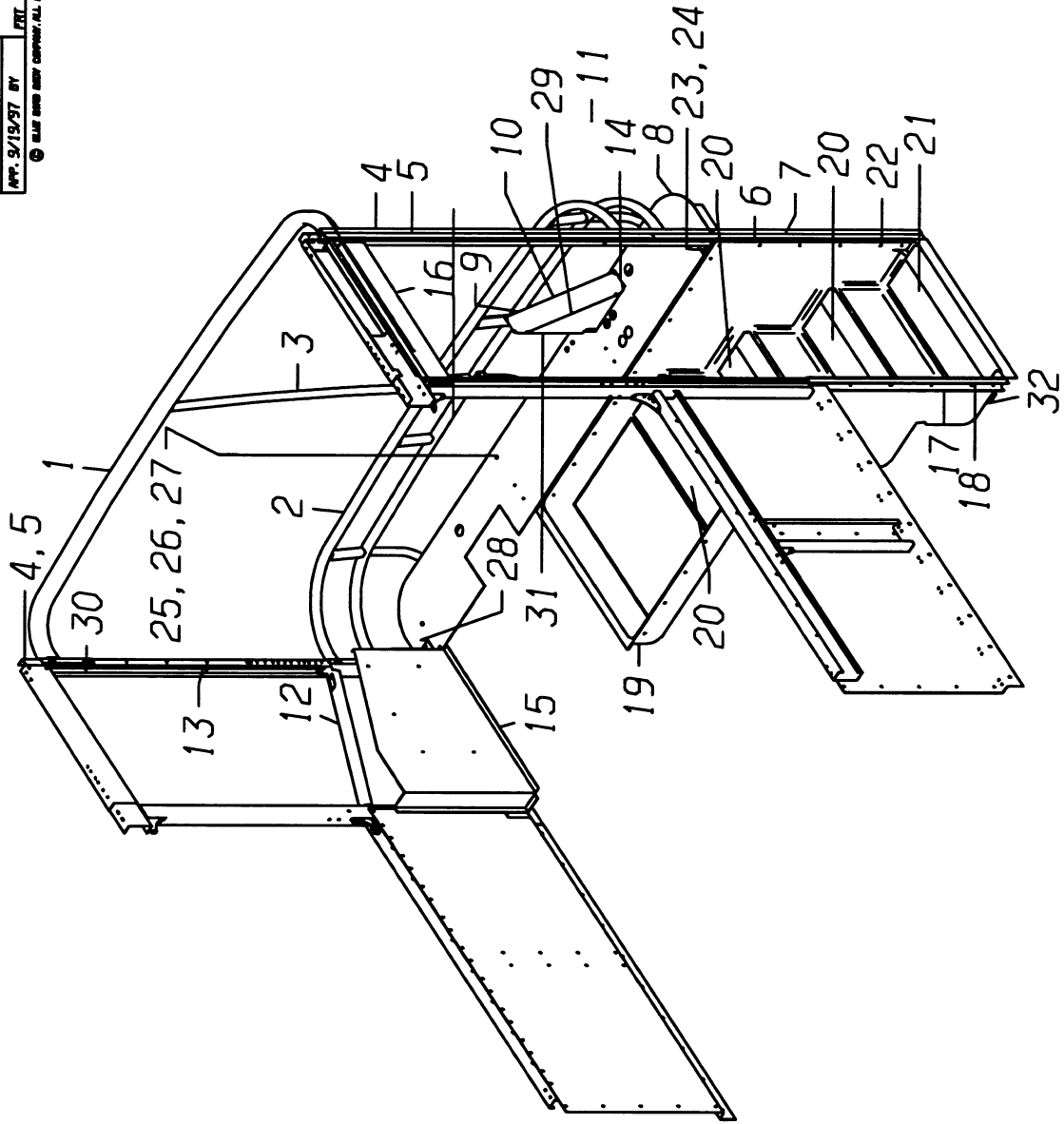


OUTSIDE ROOF PANELS & ROOF CAP

<u>KEY</u>	<u>PART NO</u>	<u>DESCRIPTION</u>	<u>QTY</u>
NI	1961077	CAP, FIBERGLASS, FRONT	
1	1835818	PANEL, ROOF, OS, 35.00, 77 HR	12
2	1932318	PANEL, ROOF, OUTSIDE, REAR SECTION	1
3		SEE GROUP 310 – STRUCTURE	
4		SEE GROUP 310 – STRUCTURE	
5		SEE GROUP 310 – STRUCTURE	
6		SEE GROUP 310 – STRUCTURE	
7		SEE GROUP 310 – STRUCTURE	
8		SEE GROUP 310 – STRUCTURE	
9		SEE GROUP 310 – STRUCTURE	
10	1813070	FASTENER, HUCK, .25	
11		SEE GROUP 310 – STRUCTURE	
12		SEE GROUP 320 – INTERIOR	
13		SEE GROUP 320 – INTERIOR	
14		SEE GROUP 320 – INTERIOR	

Q4RE

DR. 9/19/97 BY	1964360	REV
APP. 9/19/97 BY	PTT	
© BLUE BIRD BODY COMPANY/ALL RIGHTS RESERVED		



**FRONT STRUCTURE
(ENDING W/ BSN 20007889)**

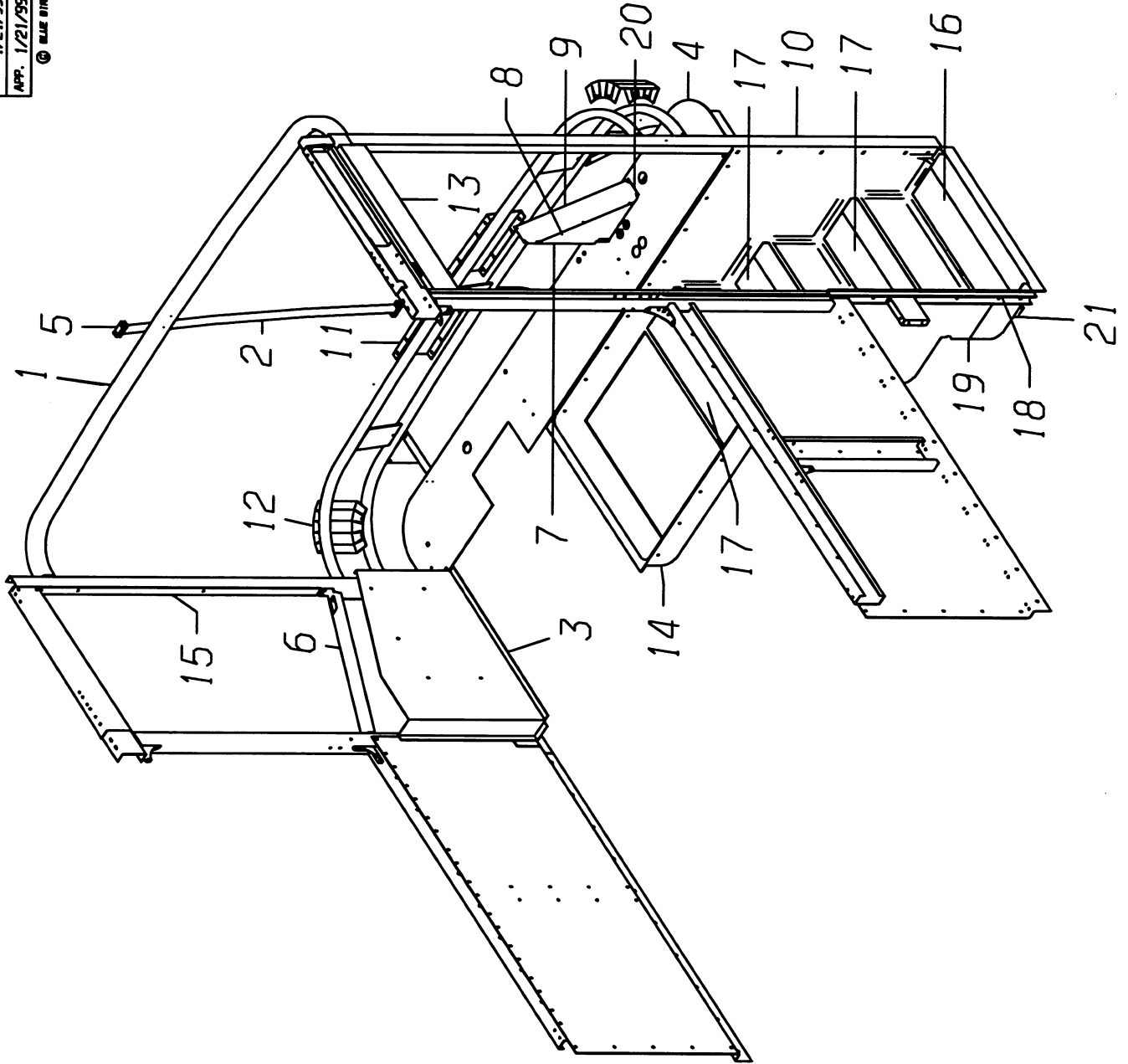
<u>KEY</u>	<u>PART NO</u>	<u>DESCRIPTION</u>	<u>QTY</u>
1	1970185	HEADER ASSY., WINDSHIELD	
2	1970201	BELT BAR ASSY., FRONT	
3	1970375	POST ASSY., W/S, BELT BAR TO HEADER	
4	1933779	POST, FRONT CORNER	2
5	1283977	INSERT, COACH BOW	2
6	1970342	BOW, EXTENSION, FRONT POST	
7	1970193	INSERT, BOW EXTENSION, FRONT POST	
8	1964345	PANEL ASSY., FRONT FLOOR	
9	1948579	PANEL, SIDE, FRESH AIR DUCT	2
10	1948587	PANEL, TOP, FRESH AIR DUCT	
11	1964394	BRACKET, REINF, FRESH AIR DUCT	
12	1948553	CHANNEL, SILL, DRIVERS WINDOW	
13	1948561	ANGLE, REINF, DRIVERS WINDOW	
14	1958628	SCREEN, AIR INTAKE, DEFROSTER	
15	1958222	PANEL ASSY., DRIVERS INSIDE	
16	1843614	HEADER, FRONT STRUCTURE	
17	1964402	BRACKET, MTG, STEPWELL, REAR DOOR POST	
18	1964410	ANGLE, MTG, STEPWELL, REAR DOOR POST	
19	1964220	STEPWELL, FRONT ENTRANCE DOOR	
20	1970268	PLATE, STEP THREAD, UPPER AND MIDDLE	2
21	1970250	PLATE, STEP TREAD, LOWER	
22	1958594	FASTENER, HUCK, .25 BLIND	
23	1693357	FASTENER, HUCK, COLLAR, 1/4	
24	1693340	FASTENER, HUCK, 1/4	
25	0803239	CAPSCREW, HEX HD, 1/2-13 x 1 1/2	
26	0850800	NUT, HEX HD, 1/2-13, LOCKING	
27	1003045	WASHER, FLAT, 17/32 x 1 1/16 x 7/64	
28	1958586	ANGLE, MTG, FRONT CORNER POST	2
29	1589522	SCREW, 10-16 x 3/4	
30	2000198	SCREW, 5/16-18 x 1	
31	0621953	TAPE, FOAM, 1/8 x 3/4	
32	1970276	TUBE ASSY., SUPPORT, STEPWELL, LOWER STEP	
NI	1268093	NUT, HEX HD, 1/4-20, SERATED	

Q4RE



DR. 1/21/99 BY NW	1964360	L
APP. 1/21/99 BY TB		REV
CPT		

© HILTI BIRD BODY COMPANY. ALL RIGHTS RESERVED



**FRONT STRUCTURE
(BEGINNING W/ BSN 20007890)**

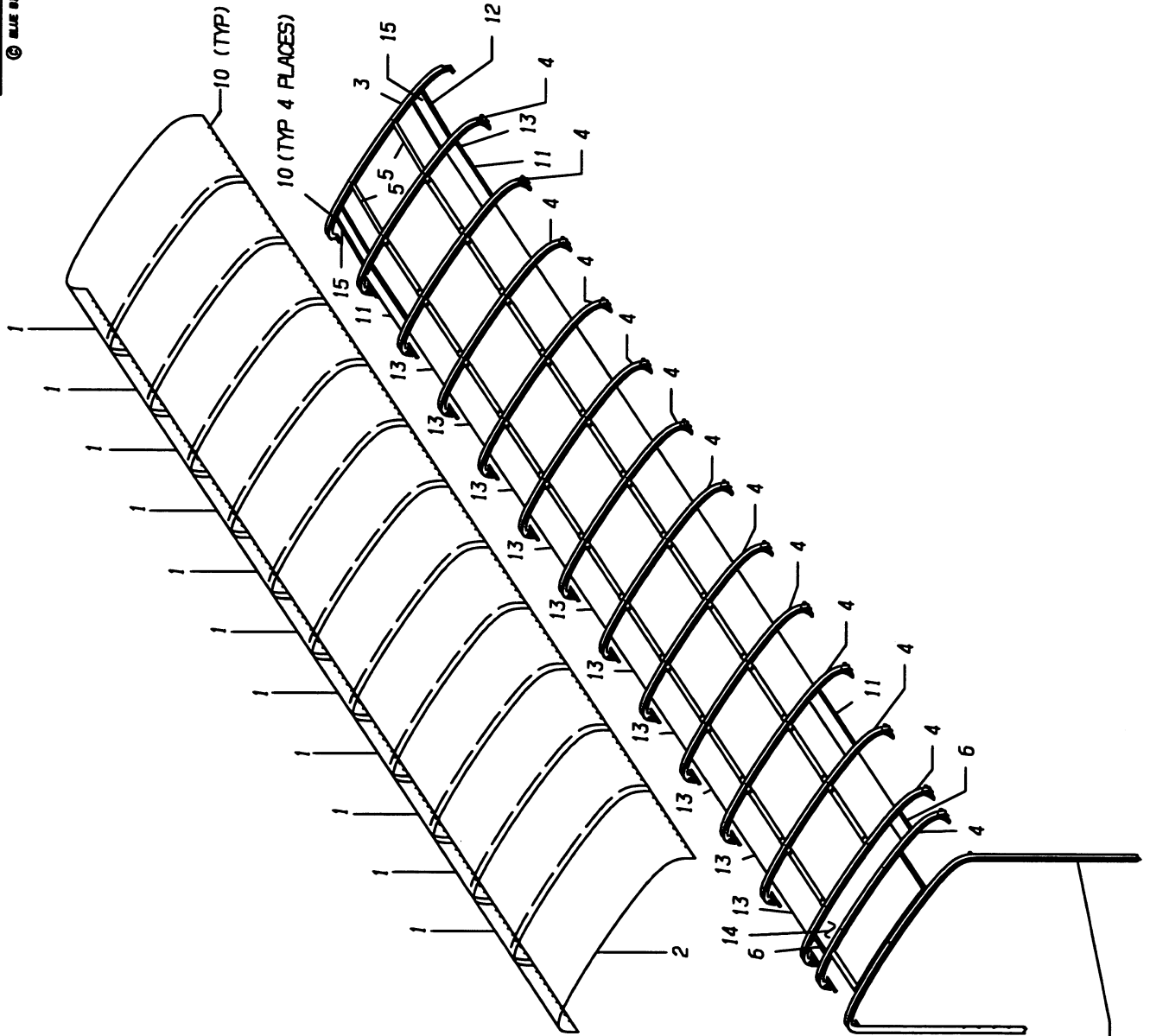
<u>KEY</u>	<u>PART NO</u>	<u>DESCRIPTION</u>	<u>QTY</u>
	0003010	STRUCTURE ASSY., FRONT (NOT AVAILABLE AS AN ASSY.)	
1	0000349	HEADER, WINDSHIELD	
2	0000380	POST ASSY., WINDSHIELD	
3	1958222	PANEL ASSY., DRIVER'S INSIDE	
4	1964345	PANEL ASSY., FRONT FLOOR	
5	0004480	PLATE, MTG, WINDSHIELD POST, PRIMED	2
6	1948553	CHANNEL, SILL, DRIVER'S WINDOW	
7	0621953	TAPE, FOAM, 1/8 x 3/4	
8	1948579	PANEL, SIDE, FRESH AIR DUCT	2
9	1948587	PANEL, TOP, FRESH AIR DUCT	
10	1286459	PANEL, ENTRANCE DOOR TO FRONT ASSY.	
11	0003695	PANEL, SUPPORT, FRONT, FIBERGLASS	2
12	0000356	PANEL, BACKING, SIDE VIEW MIRROR	2
13	0000797	HEADER, ENTRANCE DOOR	
14	1964220	STEPWELL, FRONT ENTRANCE DOOR	
15	0000422	CHANNEL, REINFORCEMENT, WINDOW, DRIVER'S	
16	1970250	PLATE, STEP TREAD, LOWER	
17	1970268	PLATE, STEP TREAD, UPPER	3
18	0001606	ANGLE, MTG, STEPWELL, REAR DOOR POST	
19	0007947	BRACKET ASSY., MTG, STEPWELL, REAR DOOR POST	
20	1958628	SCREEN, AIR INTAKE, DEFROSTER, KYSOR A/C	
21	1970276	TUBE ASSY., SUPPORT, STEPWELL, LOWER STEP	
NI	1394857	RIVET, .18 x .52, ALUMINUM BRAZIER HEAD	
NI	1813070	FASTENER, HUCK, .25 BLIND, MAGNABULB	
NI	0803239	CAPSCREW, HEX HEAD, 1/2-13 x 1 1/2	
NI	0850800	NUT, HEX HEAD, 1/2-13, LOCKING	
NI	1958594	FASTENER, HUCK, .25 BLIND	

Q4RE



DR. 1/22/99 BY J.L.	1964261	C
APP. 1/22/99 BY AB	FRT	REV

© BLUE BIRD BODY COMPANY. ALL RIGHTS RESERVED



REAR BOM FROM REAR ASSEMBLY
SHOWN FOR REFERENCE

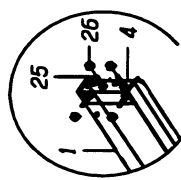
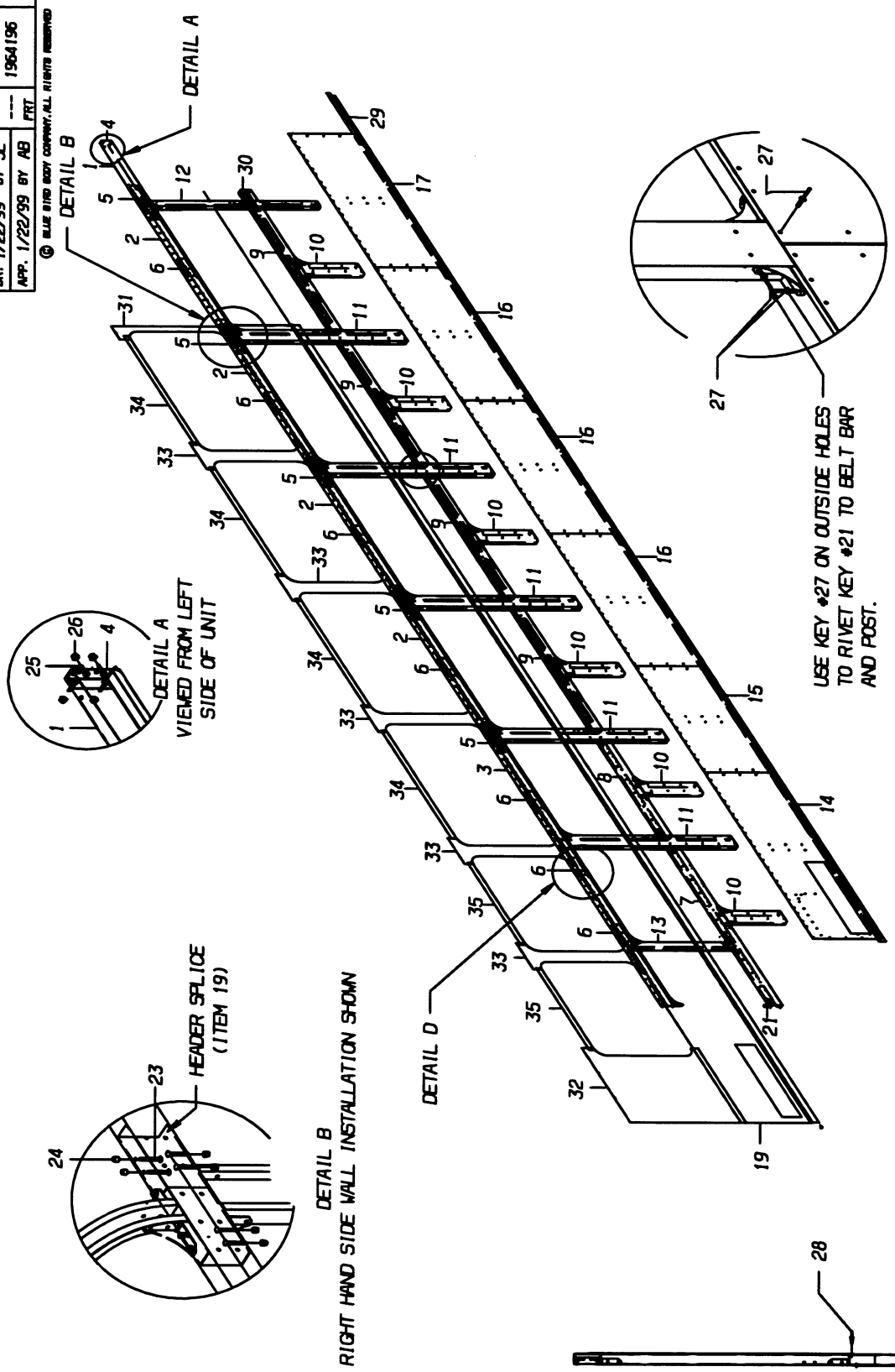
STRUCTURE

<u>KEY</u>	<u>PART NO</u>	<u>DESCRIPTION</u>	<u>QTY</u>
1		SEE GROUP 300 – EXTERIOR	
2		SEE GROUP 300 – EXTERIOR	
3	1939099	BOW ASSY,ROOF,FRONT	
4	1829688	BOW ASSY,ROOF,CENTER BODY STRUCTURE	13
5	1952183	STRINGER ASSY 29.27 FRT SECTION	2
6	1964287	BRACKET,SUPPORT,PARCEL RACK,	2
7	1160886	STRINGER,35IN ROOF	22
8	1693357	FASTENER,HUCK,COLLAR,1/4	112
9	1693340	FASTENER,HUCK,1/4	112
10	1813070	FASTENER,HUCK,.25	292
11	1964279	BRACKET,SUPPORT,PARCEL RACK	2
12		SEE GROUP 320 – INTERIOR	
13		SEE GROUP 320 – INTERIOR	
14		SEE GROUP 320 – INTERIOR	
15	1946904	BRACKET, SUPPORT, PARCEL RACK	2

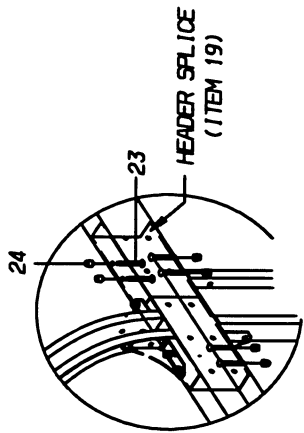
Q4RE



DR. 1/22/99 BY J.L.	1964196	F	REV
APP. 1/22/99 BY AB	FRY		
© BLUE BIRD BODY COMPANY. ALL RIGHTS RESERVED			

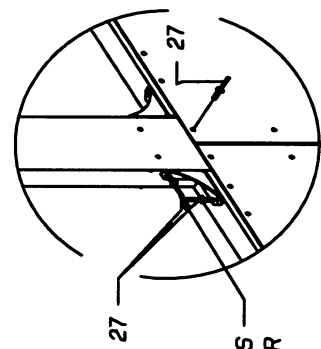


DETAIL A
VIEWED FROM LEFT
SIDE OF UNIT



HEADER SPLICE
(ITEM 19)

DETAIL B
RIGHT HAND SIDE WALL INSTALLATION SHOWN

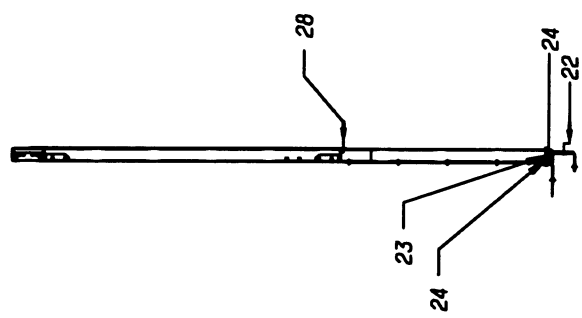


USE KEY #27 ON OUTSIDE HOLES
TO RIVET KEY #21 TO BELT BAR
AND POST.

GUSSET INSTALLATION DETAIL



HEADER REINFORCEMENT DETAIL



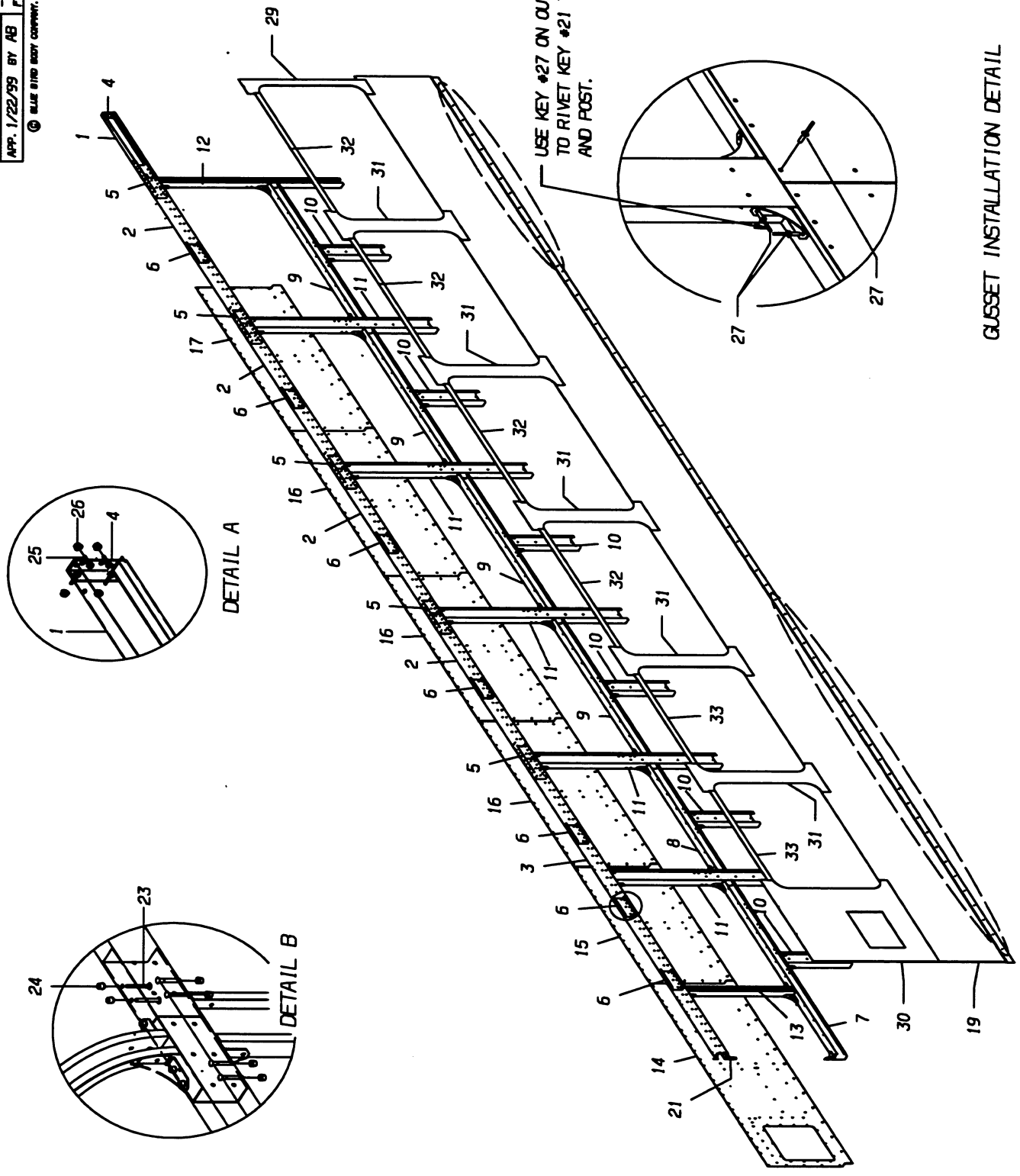
TYPICAL WALL SECTION

STRUCTURE – LH

<u>KEY</u>	<u>PART NO</u>	<u>DESCRIPTION</u>	<u>QTY</u>
1	1948249	HEADER, FRONT, LH	
2	1930908	HEADER, CENTER SECTION, 70 IN., RH	4
3	1932292	HEADER, REAR SECTION, RH	
4	1826247	BRACKET, REINFORCEMENT, HEADER TO BOW, FRONT	
5	1932235	HEADER, SPLICE, RH	5
6	1948462	BRACKET, REINFORCEMENT, HEADER	7
7	1931195	BELT BAR, REAR, LH	
8	1931153	BELT BAR, 56 IN., LH	
9	1819655	BELT BAR, 64.26 IN., LH	4
10	1932250	POST, BELT BAR SUPPORT	6
11	1819648	POST ASSY., SIDEWALL	5
12	1831221	POST ASSY., FRONT, LH	
13	1944362	POST, 38.85, CENTER WINDOW STRUCTURE	
14	1958602	GUSSET, REAR, LH	
15	1931179	GUSSET, 56 IN., LH	
16	1931237	GUSSET, 70 IN., LH	3
17	1931245	GUSSET, FRONT, LH	
19		SEE GROUP 300 – EXTERIOR	
21	1778745	BRACKET, REINFORCEMENT, CORNER	40
22	1693407	FASTENER, HUCK, .25, BLIND, MAGNABULB	29
23	1693340	FASTENER, HUCK, 1/4, MAGNAGRIP	140
24	1693357	FASTENER, HUCK, COLLAR, 1/4, MAGNAGRIP	140
25	2000057	CAPSCREW, HEX HEAD, 1/4–20 x 1	4
26	0659979	NUT, HEX, FLANGE SER, 1/4–20	4
27	1813070	FASTENER, HUCK, .25 ,BLIND, MAGNABULB	122
28	1958594	FASTENER, HUCK, .25, BLIND, FLUSH	97
29	1688555	GUSSET, LEFT FRONT	
30		SEE GROUP 300 – EXTERIOR	
31		SEE GROUP 300 – EXTERIOR	
32		SEE GROUP 300 – EXTERIOR	
33		SEE GROUP 300 – EXTERIOR	
34		SEE GROUP 300 – EXTERIOR	
35		SEE GROUP 300 – EXTERIOR	

Q4RE

DR. 1/22/99 BY J.L.	1964188	E
APP. 1/22/99 BY AB	FRT	REV
© ILLINOIS TOOL WORKS COMPANY, ALL RIGHTS RESERVED		



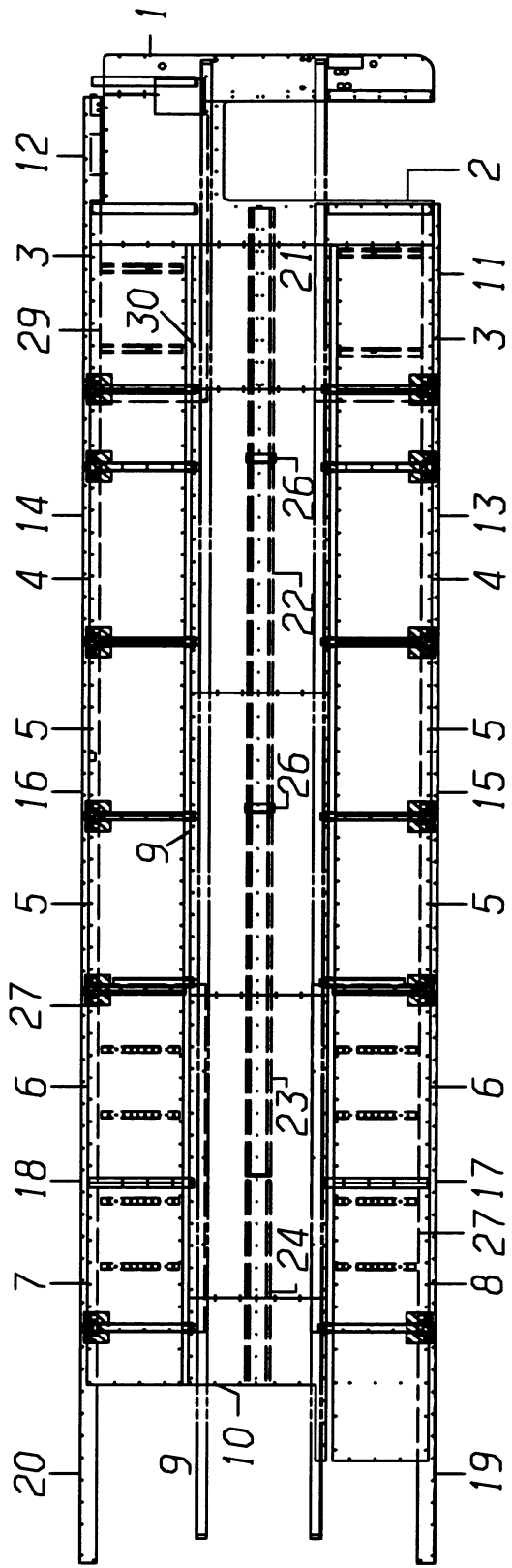
GUSSET INSTALLATION DETAIL

STRUCTURE – RH

<u>KEY</u>	<u>PART NO</u>	<u>DESCRIPTION</u>	<u>QTY</u>
1	1948231	HEADER, FRONT, RH	
2	1930908	HEADER, CENTER SECTION, 70 IN., RH4	3
3	1932292	HEADER, REAR SECTION, RH	
4	1826247	BRACKET, REINFORCEMENT, HEADER TO BOW, FRONT	
5	1932235	HEADER, SPLICE, RH	5
6	1948462	BRACKET, REINFORCEMENT, HEADER	7
7	1931187	BELT BAR, REAR, RH	
8	1931146	BELT BAR, 56 IN., RH	
9	1819481	BELT BAR, 64.26 IN., RH	4
10	1932250	POST, BELT BAR SUPPORT	6
11	1819648	POST ASSY., SIDEWALL	2
12	1826312	POST ASSY., FRONT, RH	
13	1955517	ALUMINUM BLANK	
14	1931203	GUSSET, REAR, RH	
15	1931161	GUSSET, 56 IN., RH	
16	1931229	GUSSET, 70 IN., RH	
17	1931252	GUSSET, FRONT, RH	
19		SEE GROUP 300 – EXTERIOR	
21	1778745	BRACKET, REINFORCEMENT, CORNER	40
22	1693407	FASTENER, HUCK, .25, BLIND, MAGNABULB	29
23	1693340	FASTENER, HUCK, 1/4, MAGNAGRIP	140
24	1693357	FASTENER, HUCK, COLLAR, 1/4, MAGNAGRIP	140
25	2000057	CAPSCREW, HEX HEAD, 1/4–20 x 1	4
26	1268093	NUT, HEX HEAD, 1/4–20, SERATED FLANGE	4
27	1813070	FASTENER, HUCK, .25, BLIND, MAGNABULB	122
28	1958594	FASTENER, HUCK, .25, BLIND, FLUSH	86
29		SEE GROUP 300 – EXTERIOR	
30		SEE GROUP 300 – EXTERIOR	
31		SEE GROUP 300 – EXTERIOR	
32		SEE GROUP 300 – EXTERIOR	
33		SEE GROUP 300 – EXTERIOR	

Q4RE

DR. 9/23/97 BY IN	1901906	B
APP. 9/23/97 BY GH	PTT	REV.
© 1997 BENTON & BOWLES, ALL RIGHTS RESERVED		



FLOOR STRUCTURE

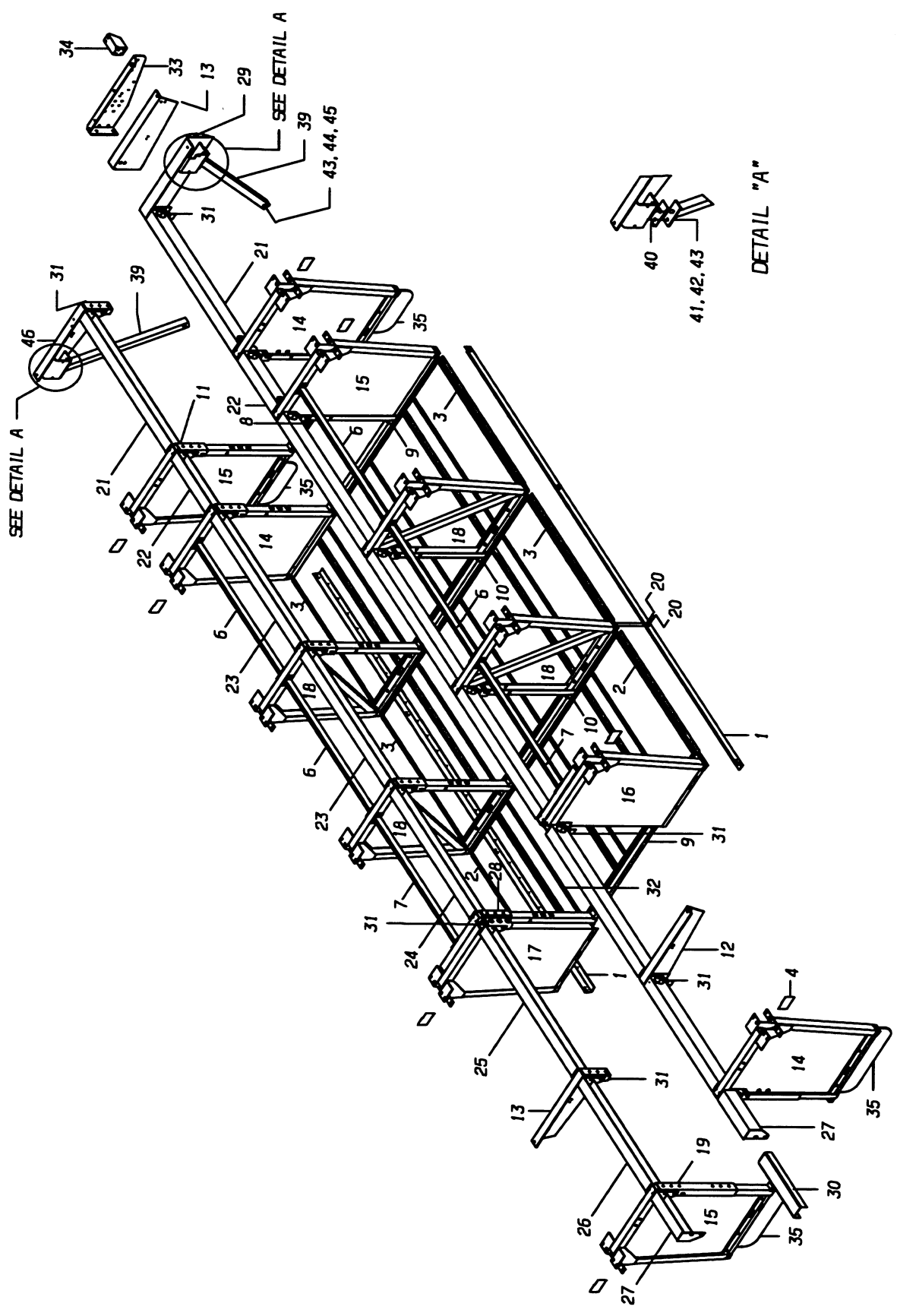
<u>KEY</u>	<u>PART NO</u>	<u>DESCRIPTION</u>	<u>QTY</u>
1	1974021	PLYWOOD, SUBFLOOR, FRONT	
2	1974039	PLYWOOD, SUBFLOOR, STEPWELL AREA	
3	1967538	PLYWOOD, SUBFLOOR 45.61 x 26.50	2
4	1961879	PLYWOOD, SUBFLOOR 79.85 x 26.50	2
5	1961887	PLYWOOD, SUBFLOOR 55.35 x 26.50	4
6	1961895	PLYWOOD, SUBFLOOR 60.94 x 26.50	2
7	1961903	PLYWOOD, SUBFLOOR 63.91 x 26.50	
8	1961911	PLYWOOD, SUBFLOOR 87.91 x 26.50	
9	1961929	PLYWOOD, SUBFLOOR 96.00 x 38.62	3
10	1989664	PLYWOOD, SUBFLOOR, REAR, CENTER	
11	1942358	CHANNEL, GUSSET, NO.1, RH	
12	1942366	CHANNEL, GUSSET, NO.1, LH	
13	1946714	CHANNEL, GUSSET, NO.2, RH	
14	1946722	CHANNEL, GUSSET, NO.2, LH	
15	1946730	CHANNEL, GUSSET, NO.3, RH	
16	1946748	CHANNEL, GUSSET, NO.3, LH	
17	1946755	CHANNEL, GUSSET, NO.4, RH	
18	1946763	CHANNEL, GUSSET, NO.4, LH	
19	1946771	CHANNEL, GUSSET, NO.5, RH	
20	1946789	CHANNEL, GUSSET, NO.5, LH	
21	1974013	SUPPORT, PASSENGER FLR, CTR, FRT, 80.12	
22	1951201	SUPPORT, PASSENGER FLR, CTR, 110.54	
23	1951219	SUPPORT, PASSENGER FLR, CTR, 115.01	
24	1951227	SUPPORT, PASSENGER FLR, CTR, RR, 65.96	
26	1816495	BRACKET, FLOOR SUPPORT, FRM,	2
27	1946888	PANEL ASSY., WHEELHOUSE, REAR, COVER	2
28	1955541	PANEL ASSY., SUB FLOOR, FRONT, RH	
29	1955533	PANEL ASSY., SUB FLOOR, FRONT, LH	
30	1972462	PLYWOOD, SUBFLOOR 45.61 x 38.62	
31	1989672	PANEL, FLOOR, RH REAR	
32	1989722	PANEL, FLOOR, LH REAR	
33	1989714	PANEL, FLOOR, CENTER REAR	
34	0000550	SUPPORT, PLYWOOD, FLOOR	
35	0000674	SUPPORT, PLYWOOD, FLOOR	
NI	1202670	SPACER, 1 OD x 13/32 ID x 3/8	

Q4RE



DR. 1/22/99	BY J.L.	1935897	P
APP. 1/22/99	BY AB	FRT	REV

© BLUE BIRD BODY COMPANY. ALL RIGHTS RESERVED



OUTRIGGERS, MIDDLE

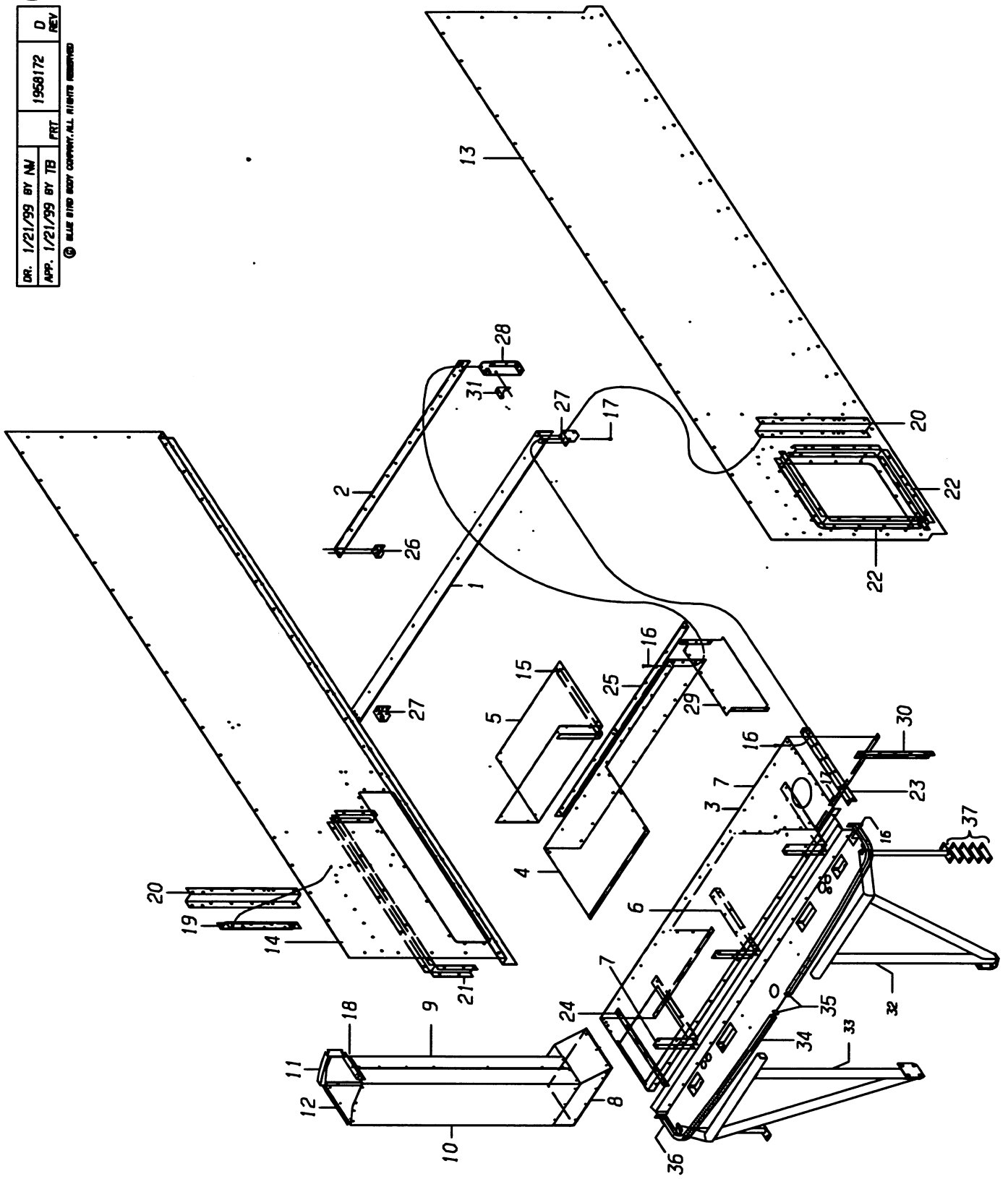
<u>KEY</u>	<u>PART NO</u>	<u>DESCRIPTION</u>	<u>QTY</u>
1	1951136	ANGLE, LUGGAGE CMPT., LOWER	2
2	1951151	ANGLE, LUGGAGE CMPT., LUG SUPPORT, RR	2
3	1951144	ANGLE, LUGGAGE CMPT, LUG SUPPORT	3
4	1701044	PLATE, SEAL, C-CHANNEL	8
5	1951169	SUPPORT, LUGGAGE CMPT., PLYWOOD FLOOR	9
6	1953934	STRINGER ASSY., 52.88 FRT SECTION	4
7	1953926	STRINGER ASSY., 50.38 RR SECTION	2
8	1953918	CHANNEL, CROSS, BR, OUTRIGGER, CMPT, FRT	
9	1688357	CHANNEL, CROSS BRACE, OUTRIGGER, CMPT, END	2
10	1688340	CHANNEL, CROSS BRACE, OUTRIGGER	2
11	1937101	BRACKET, OUTRIGGER MTG, FRAME	10
12		OUTRIGGER, FRONT, RH	
	1946813	(ENDING W/ BSN 20002744)	
	1997378	(BEGINNING W/ BSN 20002745)	
13		OUTRIGGER, FRONT, LH	3
	1946821	(ENDING W/ BSN 20002744)	
	1997386	(BEGINNING W/ BSN 20002745)	
14	1940279	OUTRIGGER ASSY., FWD RH, RR LH	3
15	1940287	OUTRIGGER ASSY., FWD LH, RR RH	3
16	1940428	OUTRIGGER ASSY., OFFSET, RH	
17	1940436	OUTRIGGER ASSY., OFFSET, LH	
18	1937093	OUTRIGGER ASSY.	4
19	1932862	BRACKET, OUTRIGGER MTG, FRAME, REAR	2
20	1958594	FASTENER, HUCK, .25, BLIND	16
21	1963024	SEAT SUPPORT ASSY., 53.72	2
22	1963032	SEAT SUPPORT ASSY., 21.54	2
23	1963040	SEAT SUPPORT ASSY., 52.31	2
24	1963057	SEAT SUPPORT ASSY., 49.92	2
25	1963065	SEAT SUPPORT ASSY., 57.58	2
26	1963073	SEAT SUPPORT ASSY., 42.71	2
27	1963099	SEAT SUPPORT ASSY., 40.71, RH	
28	1959691	SPACER, OUTRIGGER TO FRAME	2
29		OUTRIGGER ASSY., FRONT, RH	2
	1970359	(ENDING W/ BSN 20008489)	
	0003158	(BEGINNING W/ BSN 20008490)	
30	1977834	SEAT, SUPPORT, REAR	
31	1961226	BRACKET, SEAT, SUPPORT	6
32	1951185	SUPPORT, FLOOR, HOLDING TANKS	3
33	1997360	OUTRIGGER, FRONT STRUCTURE, RH	
34	1984384	BRACE, BASE PLATE, ENTRANCE DOOR	
35	0017327	MUDFLAP, 8.5 x 23	
36	0854406	CAPSCREW, HEX HEAD, 5/16-18 x 1	16
37	1981844	NUT, HEX HEAD, 5/16-18, LOCK	16
38	2001121	WASHER, FLAT, 5/16 x 3/4 x 5/64	16
39	0002978	BRACE ASSY., OUTRIGGER	
40	0002874	SHIM, DIAGONAL BRACE, OUTRIGGER	2
41	2028470	CAPSCREW, HEX HEAD, 1/2-20 x 2	2
42	2001485	NUT, HEX HEAD, 1/2-20	2
43	2001212	LOCKWASHER, SPLIT RING, 1/2	4
44	1139559	CAPSCREW, HEX HEAD, 1/2-13 x 4	2
45	0850800	NUT, HEX HEAD, 1/2-13, LOCKING	2
46	0003157	OUTRIGGER ASSY., FRONT, LH	

Q4RE

Revision 01/99



DR. 1/21/99 BY NJ	1956172	D
APP. 1/21/99 BY TB	FRT	REV
© 2000 INTEL CORPORATION. ALL RIGHTS RESERVED		

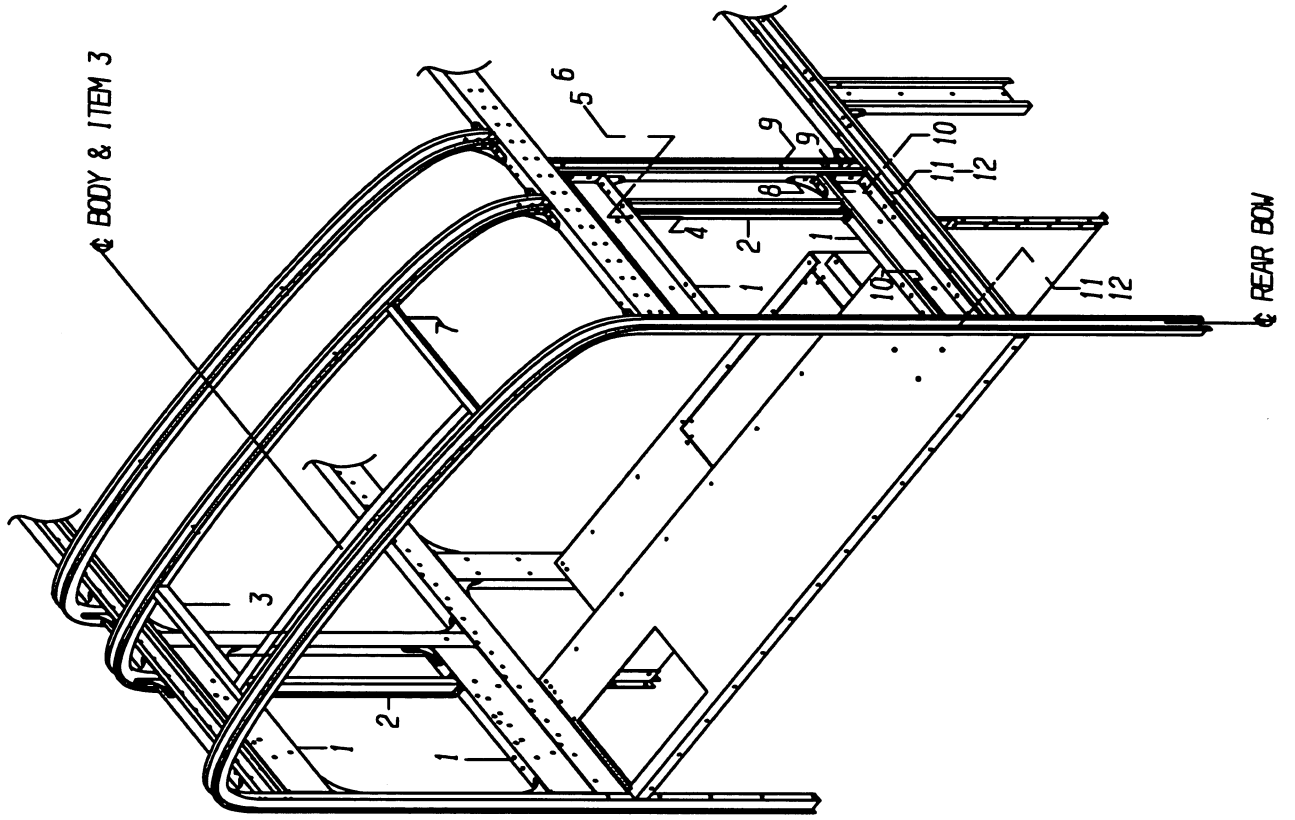


REAR DAVENPORT

<u>KEY</u>	<u>PART NO</u>	<u>DESCRIPTION</u>	<u>QTY</u>
1	1875467	BRACKET, SUPPORT, UPPER ENGINE COMPARTMENT	
2	1949304	BRACKET, SUPPORT, LOWER, ENGINE COMPARTMENT	
3	1949270	PANEL ASSY., ENGINE COMPARTMENT, REAR	
4	1949262	PANEL, ENGINE COMPARTMENT, FRONT	
5	1949312	PANEL, ACCESS, ENGINE COMPARTMENT	
6	1875459	BRACKET, REINF, ACS OPG, LH, ENG CMPT	
7	1875442	BRACKET, REINF, ACS OPG, RH, ENG CMPT	2
8	1439330	BOX ASSY., ROOF EXHAUST, LOWER	
9	1948405	PANEL, ROOF EXHAUST, UPPER, SIDE	
10	1948413	PANEL, ROOF EXHAUST, UPPER, REAR	
11	1496306	ANGLE ASSY., ROOF EXHAUST, UPPER, 9.62	
12	1496363	ANGLE, ROOF EXHAUST, UPPER, 13.52	
13	1931203	GUSSET, REAR, RH	
14	1958602	GUSSET, REAR, LH	
15	0621953	TAPE, FOAM, 1/8 x 3/4	12
16	1693340	FASTENER, HUCK, 1/4	34
17	1693357	FASTENER, HUCK, COLLAR, 1/4	34
18	1496272	ANGLE, ROOF EXHAUST, UPPER,	
19	1948306	BRACKET, REINF, DAVENPORT, GUSSET, LH	
20	1948314	BRACKET, REINF, DAVENPORT, GUSSET	2
21	1948322	BRACKET, REINF, UPPER RADIATOR OPENING	
22	1948330	BRACKET, REINF, A/CL CUTOUT, GUSSET	2
23	1948389	ANGLE, SUPPORT, DAVENPORT, TOP PANEL, RH	
24	1948397	ANGLE, SUPPORT, DAVENPORT, TOP PANEL, LH	
25	1949296	ANGLE, ATTACHING, DAVENPORT TO FLOOR	
26	1952084	BRACKET, MTG, LOWER BEAM, ENGINE CMPT	
27	1952076	BRACKET, MTG, UPPER BEAM, ENGINE CMPT	2
28	1949254	BRACKET, SUPPORT, DAVENPORT ANGLE TO FRAME	
29	1949320	PANEL, ENGINE COMPARTMENT, SIDE	
30	1959386	ANGLE, SUPPORT, DAVENPORT, VERTICAL PANEL	
31	1778745	BRACKET, REINF, CORNER	
32	1964550	SUPPORT ASSY., DAVENPORT, REAR, RH	
33	1964568	SUPPORT ASSY., DAVENPORT, REAR, LH	
34	1968833	PANEL ASSY., ENGINE COMPARTMENT, TOP, REAR	
35	2267128	PLUG, CAP, 1 IN. SQUARE TUBING	2
36	2000198	SCREW, 5/16-18 x 1, HEX HD,	
37	1960988	PLATE, .116 x 1.75 x 5 W/ 2 HOLES	
NI	1813070	FASTENER, HUCK, .25	
NI	2028546	WASHER, FLAT, 7/16 x 1	
NI	2028363	BOLT, HEX, 3/8-16 x 1/4	
NI	1280791	CROSSMEMBER, BODY BAR, COACH BOW	

Q4RE

DR. 9/30/97 BY NJ	1971357	REV
APP. 9/30/97 BY CH	FRT	
© BILLY BIRD BODY CORP. ALL RIGHTS RESERVED		

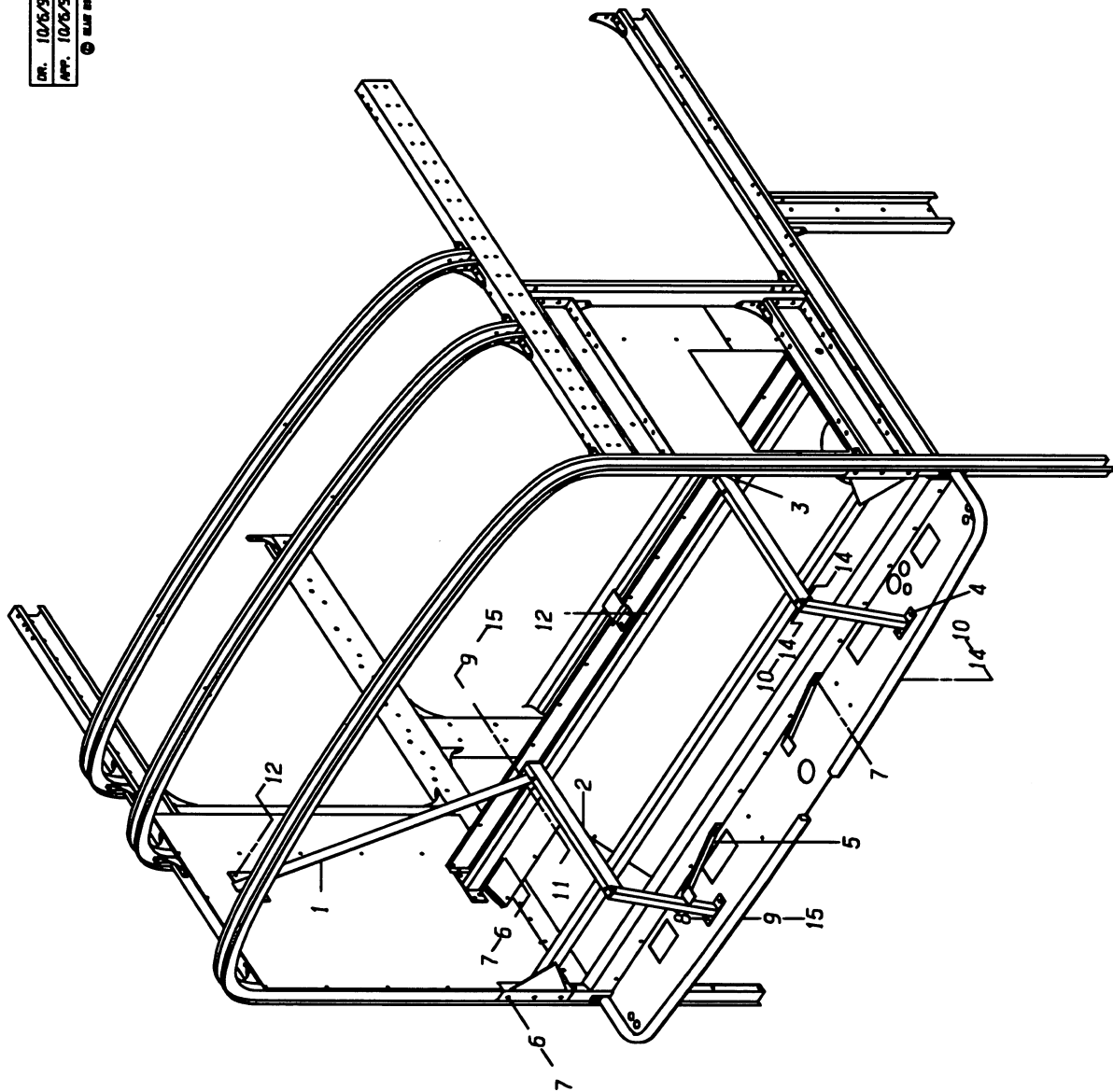


**A/C BODY STRUCTURE
FEATURE 38102-01**

KEY	PART NO	DESCRIPTION	QTY
1	1968908	BELT BAR, SUPPORT, REAR	4
2	1962638	POST ASSY., SUPPORT INTERIOR WALL	2
3	1962539	SUPPORT ASSY., SHROUD, UPPER	
4	1032283	CAPSCREW, HEX HD, 5/16-18 x 3/4	
5	2001048	WASHER, FLAT, 11/32 x 11/16 x 1/16	
6	1039262	NUT, HEX HD, 1/4-20	
7	2000024	SCREW, 1/4-14 x 3/4, HEX HD	
8	1693340	FASTENER, HUCK, 1/4	
9	1693357	FASTENER, HUCK, COLLAR	
10	0977132	CAPSCREW, HEX HD, 1/4-20 x 3/4	
11	1467000	WASHER, FLAT, .281 x .750 x .078	
12	1039262	NUT, HEX HD, 1/4-20	
13	1778745	BRACKET, REINFORCEMENT, CORNER	7

Q4RE

DES. 10/16/97 BY NJ	1974732	REV
APP. 10/16/97 BY CH	PTC	
© BLUE BIRD BODY COMPANY/ALL RIGHTS RESERVED		



**A/C MOUNTING STRUCTURE
FEATURE 38102-01**

<u>KEY</u>	<u>PART NO</u>	<u>DESCRIPTION</u>	<u>QTY</u>
1	1962851	BRACE ASSY., DIAG., LH, SUPPORT	1
2	1962612	SUPPORT ASSY.	1
3	1962869	BRACE ASSY., DIAG., RH, SUPPORT	1
4	1971225	SUPPORT ASSY., REAR DAV PANEL	2
5	1971209	PANEL, SUPPORT, LOWER, REAR FBGLS	2
6	1971159	PLUSNUT, 1/4-20	18
7	0977132	CAPSCREW, HEX HD, 1/4-20 X 3/4	20
8	1032283	CAPSCREW, HEX HD, 5/16-18 X 3/4	4
9	2001048	WASHER, FLAT, 11/32 X 11/16 X 1/16	8
10	1039262	NUT, HEX HD, 1/4-20, LOCK	4
11	0854406	CAPSCREW, HEX HD, 5/16-18 X 1	2
12	1576172	SCREW, HEX, WASH, 5/16 X 3/4, TYPE F	10
13	1092337	CAPSCREW, HEX HD, 1/4-20 X 2	2
14	1467000	WASHER, FLAT, .281 X .750 X .078	4
15	1142603	NUT, HEX HD, 5/16-18	6

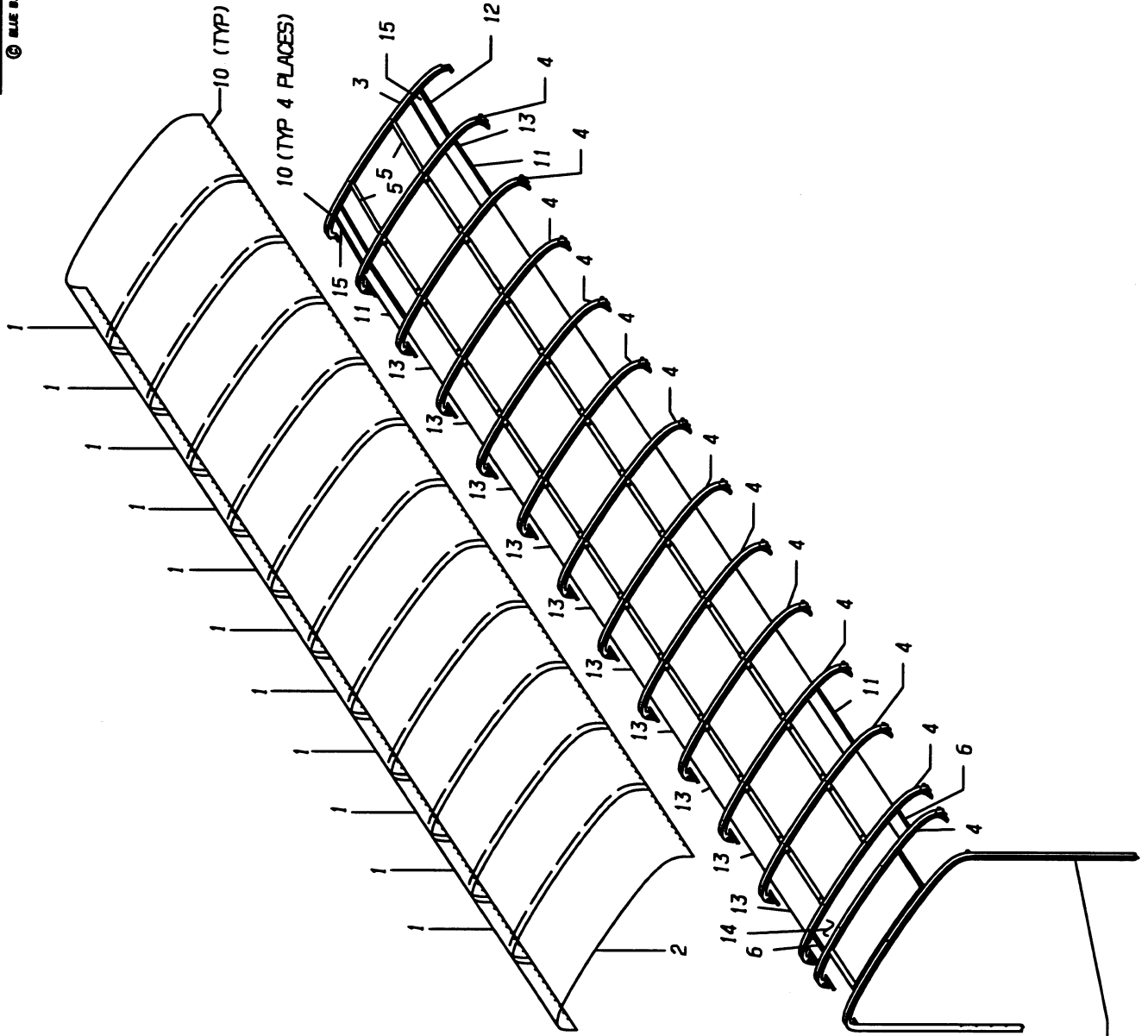
Q4RE



BLUE BIRD

DR. 1/22/99	BY J.L.	1964261	C
APP. 1/22/99	BY AB	FRT	REV

© BLUE BIRD BODY COMPANY. ALL RIGHTS RESERVED



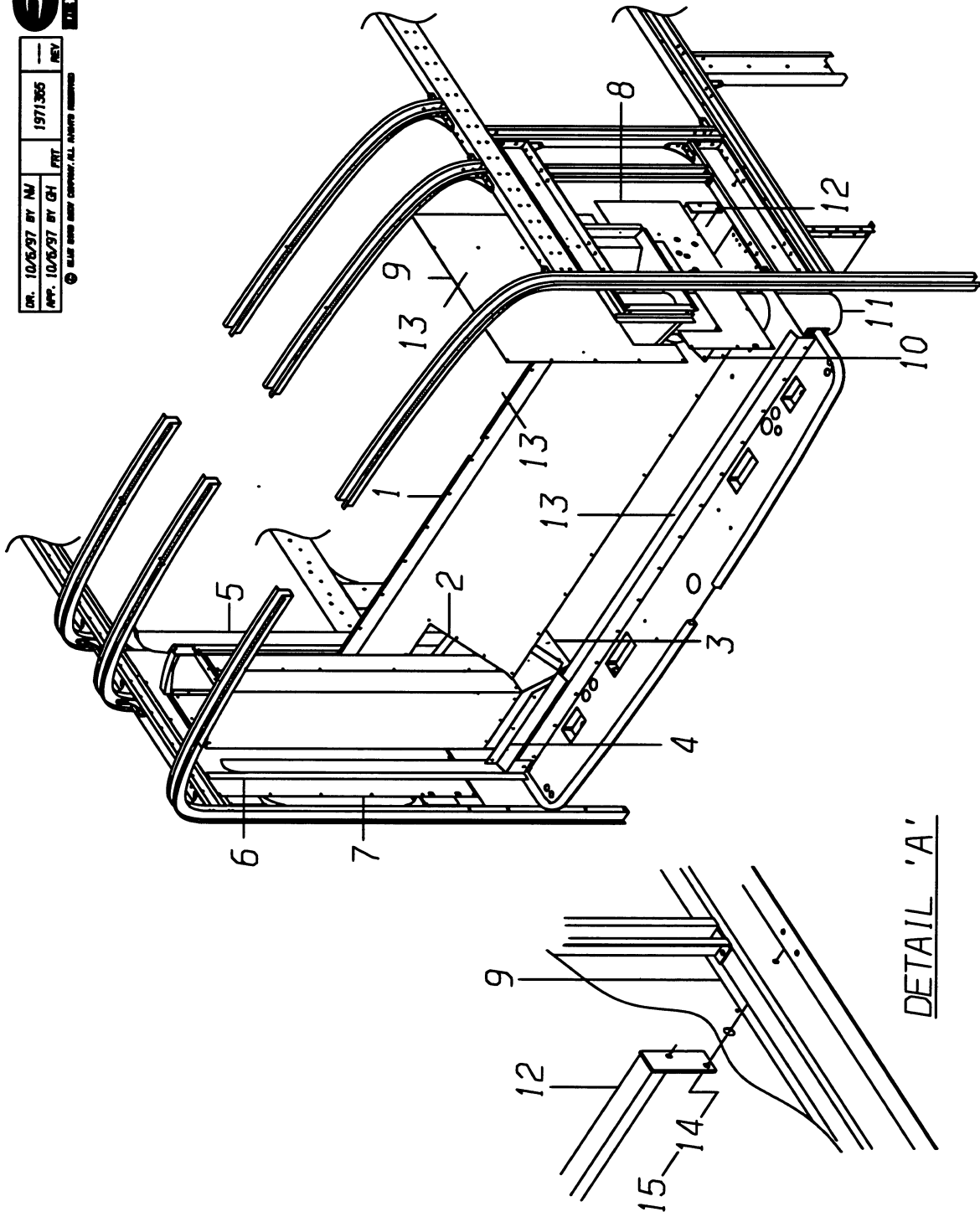
REAR BOM FROM REAR ASSEMBLY
SHOWN FOR REFERENCE

ROOF PANELS

<u>KEY</u>	<u>PART NO</u>	<u>DESCRIPTION</u>	<u>QTY</u>
1		SEE GROUP 300 – EXTERIOR	
2		SEE GROUP 300 – EXTERIOR	
3		SEE GROUP 310 – STRUCTURE	
4		SEE GROUP 310 – STRUCTURE	
5		SEE GROUP 310 – STRUCTURE	
6		SEE GROUP 310 – STRUCTURE	
7		SEE GROUP 310 – STRUCTURE	
8		SEE GROUP 310 – STRUCTURE	
9		SEE GROUP 310 – STRUCTURE	
10		SEE GROUP 310 – STRUCTURE	
11		SEE GROUP 310 – STRUCTURE	
12	1964329	PANEL, ROOF, INSIDE, FRONT	1
13	1964303	PANEL, ROOF, INSIDE, 35.00	11
14	1964311	PANEL, ROOF, INSIDE, REAR	1

Q4RE

DR. 10/6/37 BY NJ	1971365	REV
MP. 10/6/37 BY GH		
© KLEIN BROS. MFG. CO. ALL RIGHTS RESERVED		



DETAIL 'A'

**INTERIOR SIDE PANELS, DAVENPORT AREA
FEATURE 38102-01**

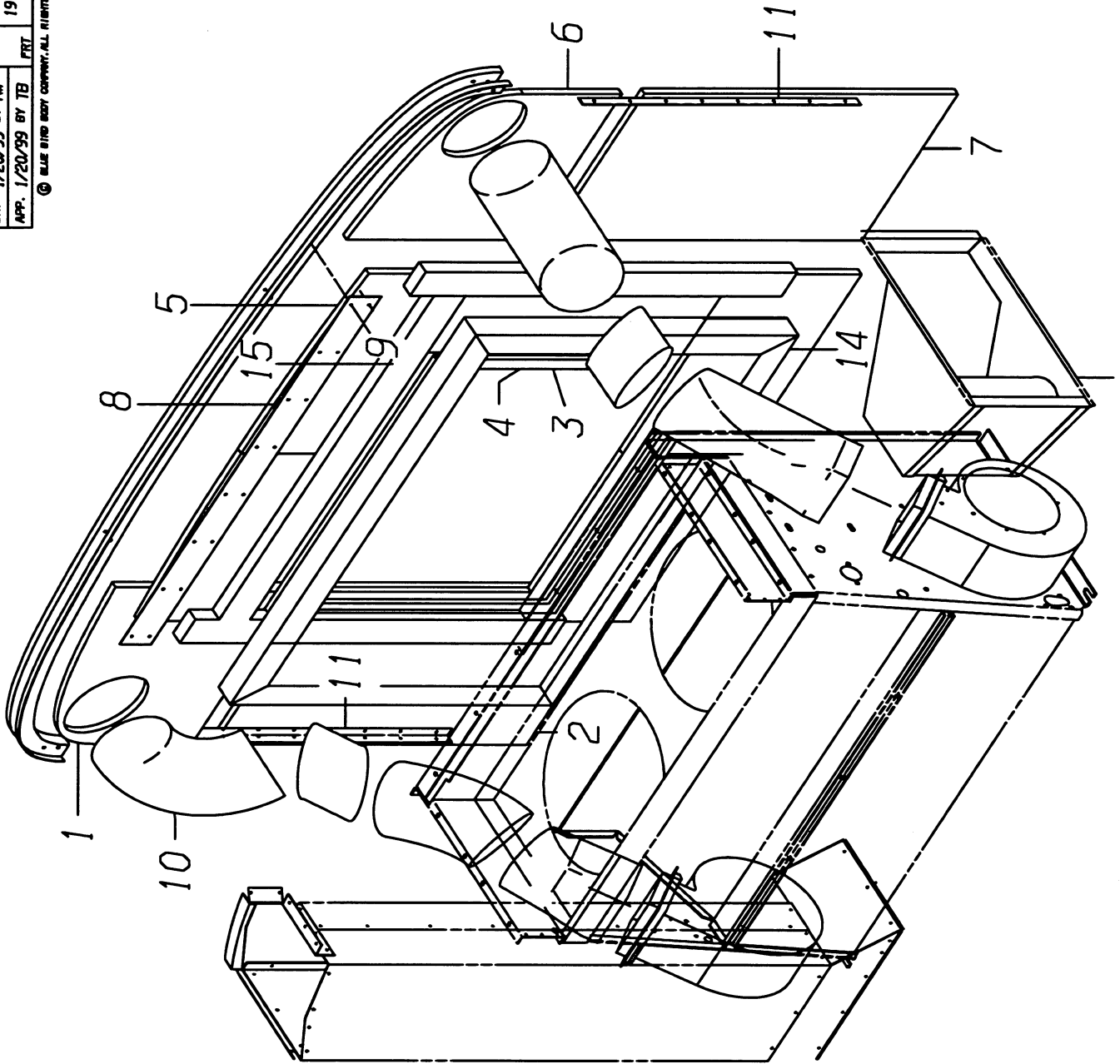
<u>KEY</u>	<u>PART NO</u>	<u>DESCRIPTION</u>	<u>QTY</u>
1	1968916	PANEL, LOWER, DRAIN	1
2	1971167	PANEL, CLOSEOUT, FRT, DRAIN PANEL	1
3	1971175	PANEL, CLOSEOUT, SI, DRAIN PANEL	1
4	1971183	PANEL, CLOSEOUT, RR, DRAIN PANEL	1
5	1971266	PANEL, C/O, FRONT, ROOF EXHAUST	1
6	1971274	PANEL, C/O, REAR, ROOF EXHAUST	1
7	1962778	PANEL, IS/S, RR, UPR, LH	1
8	1962752	PANEL, IS/S, RR, UPR, RH BOTTOM	1
9	1962760	PANEL, IS/S, RR, UPR, RH TOP	1
10	1971316	PLATE, SEAL, DRAIN PAN	1
11	1968965	BOX ASSY., ENGINE AIR INTAKE, FINAL	1
12	1962745	TUBE ASSY., SUPPORT, INT WALL	1
13	1143676	SCREW, 10-16 x 3/4, PAN HD	1
14	1971159	PLUSNUT, 1/4-20	4
15	0977132	CAPSCREW, HEX HD, 1/4-20 x 3/4	4

Q4RE



DR. 1/20/99 BY NM	1974773	D
APP. 1/20/99 BY TB	PRT	REV

© BALE BIRD BIRD COMPANY, ALL RIGHTS RESERVED



**AIR CONDITIONER WALL COMPONENTS
FEATURE 38102-01**

<u>KEY</u>	<u>PART NO</u>	<u>DESCRIPTION</u>	<u>QTY</u>
1		PLYWOOD, LH, UPPER	
	1962695	(ENDING W/ BSN 20000746)	
	0012955	(BEGINNING W/ BSN 20000747)	
2	1962679	PLYWOOD, LH	
3	1490622	FOAM, ADHESIVE BACK, CLOSE CELL, .75 x 1.50 x 60 IN.	4
4	1490630	FOAM, ADHESIVE BACK, CLOSE CELL, 1.50 x 1.50 x 48	7
5	1971241	PLYWOOD ASSY., INTERIOR WALL	
6		PLYWOOD, RH, UPPER	
	1962687	(ENDING W/ BSN 20000746)	
	0012948	(BEGINNING W/ BSN 20000747)	
7	1962661	PLYWOOD, RH	
8	1971290	PLATE, MTG, UPPER	
9	1143676	SCREW, 10-16 x 3/4	
10		KIT, TRANSITION, EVAPORTATOR	
	1968809	(ENDING W/ BSN 20000746)	
	0006015	(BEGINNING W/ BSN 20000747)	
11	1667518	ANGLE, MTG, LH	2
NI	0527267	SCREW, 6-20 x 1/2, PH1, PAN HEAD	
NI	1582600	TAPE, REPAIR, FOIL, INSULATION	
14	1980515	FLANGE, SEAL	2
15	1818012	TAPE, ADHESIVE	

Q4RE

FLOOR COVERING

<u>KEY</u>	<u>PART NO</u>	<u>DESCRIPTION</u>	<u>QTY</u>
NI	1974203	GRAY FLOOR COVERING, 6727 TARABUS	
NI	1974211	TRIM, LUGGAGE FLOOR COVERING, CENTER	
NI	1974229	TRIM, LUGGAGE FLOOR COVERING, SIDE	

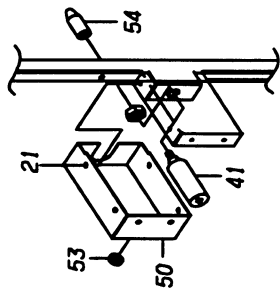
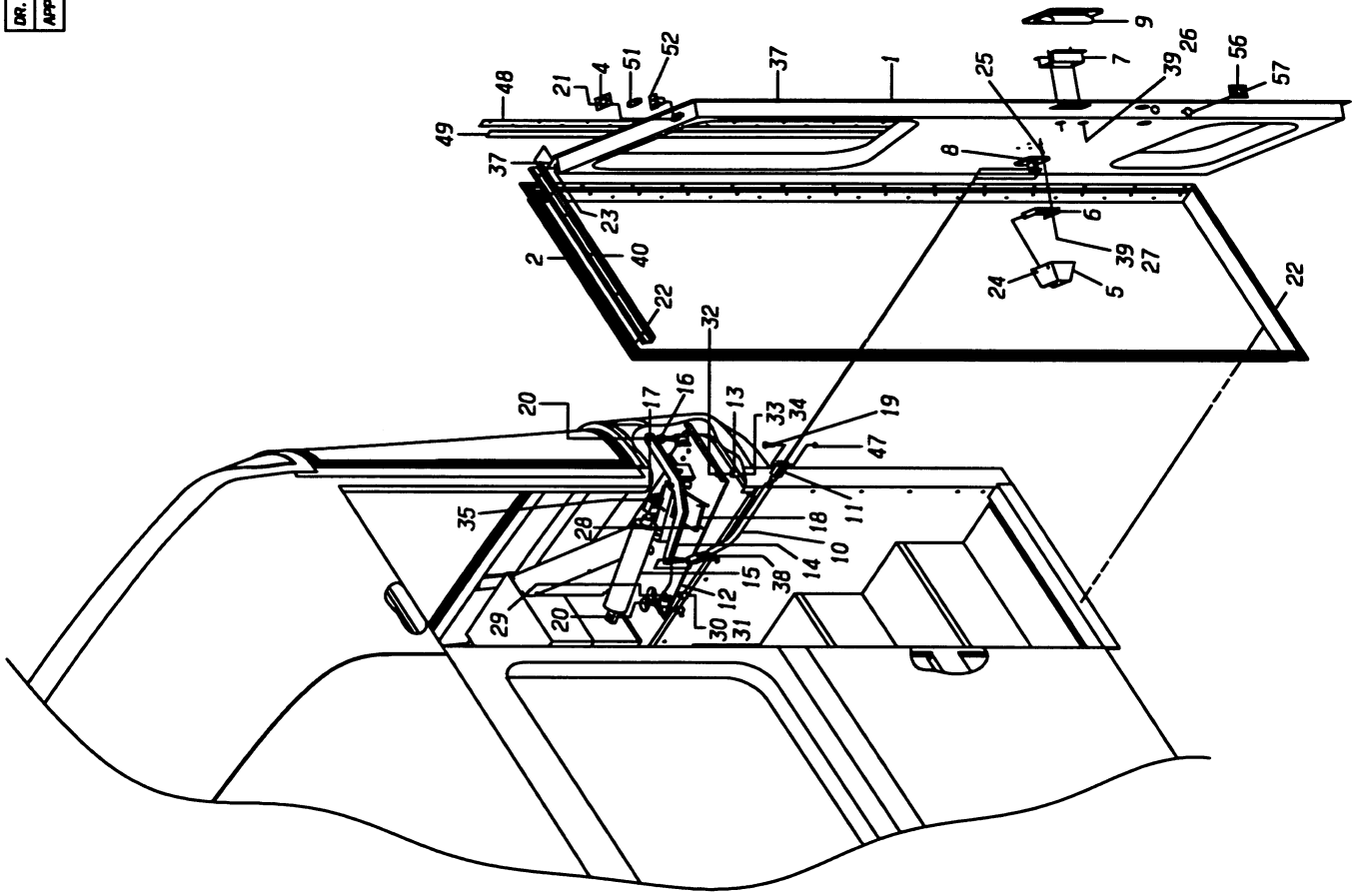
Q4RE

Notes

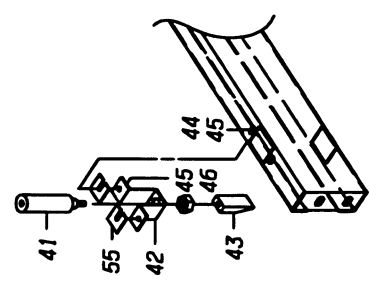


DR. 1/14/99	BY J.L.	---	0000331	E
APP. 1/14/99	BY AB	PRT		REV

© BLUE BIRD BODY CORP. ALL RIGHTS RESERVED



LOWER AIR LOCK INSTALLATION



UPPER AIR LOCK INSTALLATION

ENTRANCE DOOR

<u>KEY</u>	<u>PART NO</u>	<u>DESCRIPTION</u>	<u>QTY</u>
1	0000554	DOOR ASSY, ENTRANCE	1
2	0000646	FRAME ASSY, ENTRANCE DOOR	1
NI	3885886	TRIM, ENT DOOR	1
3	0621953	TAPE, FOAM,1/8X3/4,CLSD CELL NEOPRENE ADH BK	16
4	0000729	STRIKER, AIR LOCK,ENTRANCE DOOR	1
5	1984756	COVER, DOOR LINK ROD,ENTRANCE DOOR	1
6	1984764	BRACKET, MTG,COVER,DR LINK ROD,ENT DOOR	1
7	0000745	BRACKET ,MTG,HANDLE,RECESSED,ENT DOOR	1
8	1984590	BRACKET ASSY , MTG,ROD,DOOR LINK	1
9	0000562	HANDLE, RECESSED,ENTRANCE DOOR	1
10	1984467	ROD, DOOR LINK,ENTRANCE DOOR	1
11	1984343	YOKE END, DOOR LINK,RH,ENTRANCE DOOR	2
12	1984392	PLATE ASSY, BASE,AIR CYLINDER,ENT DOOR	1
13	0000703	TUBE, SPACER,,.75 O.D. X .50 I.D. X .75 LONG	6
14	1984558	ARM, PIVOT,ENTRANCE DOOR	1
15	1984327	CYLINDER, AIR,PARKER,2.50 BORE,5.00 STROKE	1
16	1984335	BUSHING, NYLON,PIVOT ARM,ENTRANCE DOOR	1
17	1984434	CLEVIS, ROD END JAM NUT,	1
18	1984889	SPACER, AIR CYLINDER,FRONT DOOR	1
19	0000871	PIN, CLEVIS,ROD,ENTRANCE DOOR	2
20	0997080	NUT, HEX HD,7/16-14,LOCKING,GR 8,CADMIUM WAX	2
21	1143676	SCREW, 10-16 X 3/4, AB,PH1,PAN HD,BLK ZN,SST	8
22	2000586	SCREW, 10-16X1-1/4,AB,PH1,PAN HD,YEL ZN DICH	38
23	1731017	SCREW, 12-24 X 7/8,F,PH1,FLT CNSK HD,BLK ZN	27
24	1925833	SCREW, 8-18 X 1/2,AB,PH1,PAN HD,BLK ZN	4
25	1686617	PLUSNUT, 1/4-20,	4
26	0971747	CAPSCREW, HX HD,M6-1 X 16,CL 10.9,	2
27	1504018	CAPSCREW, HEX HD,1/4-20X1 1/8,GR5,	4
28	2000529	SCREW, 10-16X1/2,AB,PH1,OVAL CSNK,	4
29	0801910	CAPSCREW, HEX HD,3/8-16 X 2,GR8,	4
30	1107085	WASHER, FLAT,13/32 X 13/16 X 3/32,HDN,BLK ZN	4
31	0826297	NUT, HEX HD,3/8-16 LOCK,YEL ZN DICH	4
32	0660464	CAPSCREW, HEX HD,7/16-14 X 2,GR8,YEL ZN DICH	2
33	1078922	WASHER, FLAT,3/8 X 7/8 X 5/64,YEL ZN DICH	2
34	0997080	NUT, HEX HD,7/16-14,LOCKING,GR 8,	2
35	1028497	PIN, CLEVIS,7/16 DIA X 1 11/32 LG,	1
36	2008878	PIN, COTTER,DRIVERS SEAT,1/8X1 1/2	1
37	3943925	SEAL, WINDOW,.50 X .375	22
38	1961804	NUT, JAM,HEX HD,7/16-20,GR,COATING,RH	2
39	2001170	LOCKWASHER, SPLIT RING, 1/4 ,MED,YEL ZN DICH	6
40	0001179	MOLDING, DRIP,ENTRANCE DOOR	1

Q4RE

ENTRANCE DOOR

<u>KEY</u>	<u>PART NO</u>	<u>DESCRIPTION</u>	<u>QTY</u>
41	6087560	CYLINDER,AIR,PARKER,1.06 BORE,1.00 STROKE	2
	0000711	(ENDING W/ BSN F20002979)	
	0000711	(BEG W/BSN F20002980)	
NI	6088892	PLATE, AIR CYLINDER,DOOR JAM (ENDING W/BSN F20002980)	1
NI	6084552	BRACKET, MTG.,AIR CYL, TOP LOCK, (ENDING W/BSN F20002980)	1
42	0004484	BRACKET, MTG,AIR LOCK,FRONT ENT DOOR	1
43	0000596	PIN, LOCK, TOP,ENTRANCE DOOR	1
44	0977132	CAPSCREW, HEX HD,1/4-20 X 3/4,GR 5,YEL DICH	2
45	1467000	WASHER, FLAT,.281 X.750X.078 HARDENED,BLK ZN	4
46	2001345	NUT, HEX HD,1/4-20,LOCKING,	2
47	0000870	RING, RETAINING,EXTERNAL,.437 SHAFT	2
48	0001148	PLATE,TAPPING,ENTRANCE DOOR	1
49	1863752	TAPE,ADHESIVE,VHB4929,1.00WDX.025THKX72YDS	.04
50	0001605	COVER,AIR CYLINDER,LOWER,ENTRANCE	1
51	1829704	SEAL,RUBBER,CLEAN SEAL G-7056	.2
52	0001852	RETAINER,SEAL,UPPER AIR LOCK,ENT DOOR	1
53	2003226	GROMMET,RUBBER,W/S WIPER	1
54	0001793	PIN,LOCK,LOWER,ENTRANCE DOOR	1
55	0004485	SPACER,BRACKET,AIR LOCK,FRONT ENT DOOR	2
56	0005786	STRIKER,LOWER AIR LOCK,ENTRANCE DOOR	1
57	1266600	SCREW,10-16 X 3/4,AB,PH1,OVAL CNSK HD,BLK 2	2
58	0862953	SEALANT,SCHNEE-MOREHEAD 5522,VINYL GRAY	.2
59	1983824	DECAL,EMERGENCY RELEASE,ENTRANCE DOOR	1
60	0000667	ALUMINUM BAR,.250 X .625 X 16FT	.33
61	0000668	ALUMINUM BAR,.188 X 1.000 X 16FT	1
62	6097521	WINDOW,HEHR,LOWER ENT DOOR,INSULATED,	1
63	1948538	WINDOW,FRONT ENT/DOOR,UPPER,THERMOPANE,	1
NI	4644092	HANDLE, ENTRY ASST. (11.5")	3
NI	4644100	HANDLE, ENTRY ASST (18.7")	2
NI	4655338	HANDLE, ENTRY ASST. (11")	1
NI	6046676	LOCK, DEADBOLT	1
NI	6047229	SCREW,MAC, FLAT HD,10-32 X3 1/4	2
NI	6050629	TAIPIECE ASSY., DEADBOLT	1

Q4RE

Notes

AIR LINE ROUTING, ENTRANCE DOOR

<u>KEY</u>	<u>PART NO</u>	<u>DESCRIPTION</u>	<u>QTY</u>
1	1536879	ELBOW,90 DEG,SWIVEL,Q/D,1/8 MPT X 1/4 TUBE	7
2	2027118	PLUG,1/8 PIPE	2
3	1545128	VALVE,SPOOL,DIRECTIONAL CONTROL	1
4	1098656	VALVE,EM RELEASE,MIDLAND ROSS N-13440-DA	1
5	1501063	TEE,UNION,1464 X 4,1/4 TUBE	2
6	1344829	CONNECTOR,MALE,1468X4-Z,.13MP X .25T	1
7	3805744	VALVE,AIR,12VDC,125PSI	1
8	1344829	CONNECTOR,MALE,1468X4-Z,.13MP X .25T	2
9	0000711	CYLINDER,AIR,PARKER,1.06 BORE,1.00 STROKE	2
10	1984376	REGULATOR,AIR PRESSURE,AIR STOP ARM	1
11	2051381	NIPPLE,BRASS,1/8 CLOSE 3326 X 2	1
12	2027225	ELBOW,STREET,1/8,3400XZ	1
13	0016162	MUFFLER,AIR PRESSURE EXHAUST,1/8 PORT	2
14	1984368	VALVE,INLINE,SOL.SOL,1/84W2POS,SUBPLATE MTD (ENDING W/BSN F20008975)	1
	0006044	(BEG W/BSN F20008976)	
15	1533769	ELBOW,90 DEG,SWIVEL,Q/D,1/4 MPT X 1/4 TUBE	2
16	0001921	VALVE,FLOW CONTROL,PARKER N400B4F	2
17	2027183	NIPPLE,1/4 CLOSE,BRASS	2
18	2027233	ELBOW,STREET,1/4,3400X4Z	2
19	2027134	BUSHING,PIPE,3/8 X 1/4	2
20	1984327	CYLINDER,AIR,PARKER,2.50 BORE,5.00 STROKE	1

Q4RE

**WINDOW, DRIVER'S SLIDING
FEATURE 38110-01
(ENDING W/BSN 20002980)**

<u>KEY</u>	<u>PART NO</u>	<u>DESCRIPTION</u>	<u>QTY</u>
	1956465	KIT CONSISTS OF THE FOLLOWING PARTS:	
NI	1948542	WINDOW, DRIVER'S, WITH SLIDER	1

Q4RE

**WINDOW, DRIVER'S THERMOPANE
FEATURE 38110-04**

<u>KEY</u>	<u>PART NO</u>	<u>DESCRIPTION</u>	<u>QTY</u>
	1956473	KIT CONSISTS OF THE FOLLOWING PARTS:	
NI	4630141	WINDOW, DRIVER'S, WITH SLIDER	1

Q4RE

**DRIVER'S SUNVISOR SHADE
FEATURE 38111-01**

<u>KEY</u>	<u>PART NO</u>	<u>DESCRIPTION</u>	<u>QTY</u>
NI	0006520	VISOR, SUNSHADE, SMART, 43", MANUAL, BLACK	1

Q4RE

**DRIVER'S WINDOW SHADE
FEATURE 38111-02**

<u>KEY</u>	<u>PART NO</u>	<u>DESCRIPTION</u>	<u>QTY</u>
NI	4630067	SHADE, WINDOW, DR, LTC, 33"W X 40"L	1

Q4RE

**WINDOWS, PASSENGER THERMOPANE
 FEATURE 38110-06
 (ENDING W/BSN E20004750)**

<u>KEY</u>	<u>PART NO</u>	<u>DESCRIPTION</u>	<u>QTY</u>
	1956499	KIT CONSISTS OF THE FOLLOWING PARTS:	
NI	1757640	WINDOW,56.00,1/8 SOLID	1
NI	1757723	WINDOW,56.00,EE,1/8 SOLID	3
NI	1757665	WINDOW,70.00,1/8 SOLID	4
NI	1757749	WINDOW,70.00,EE,1/8 SOLID	4

Q4RE-I

Notes

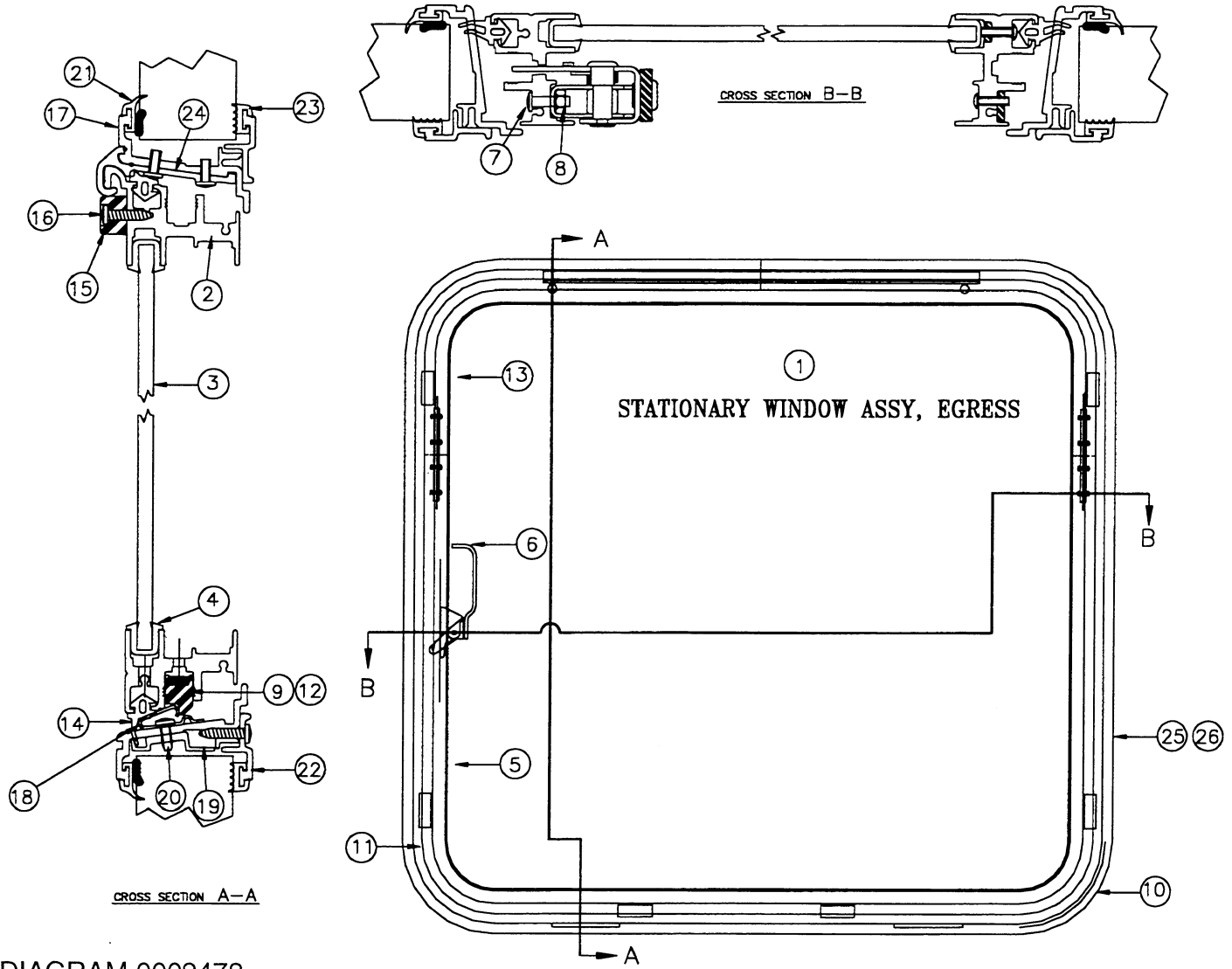
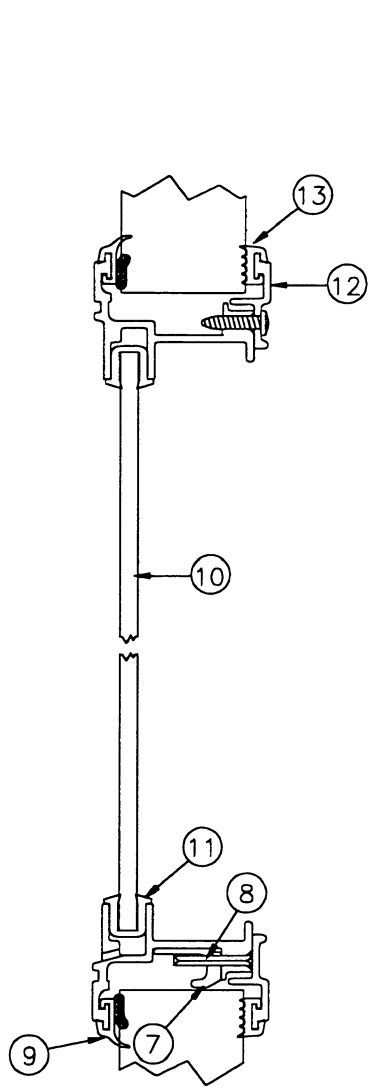


DIAGRAM 0009478

**TRANSIT WINDOWS, PUSHOUT
FEATURE 38110-06, T.O. 53402-01**

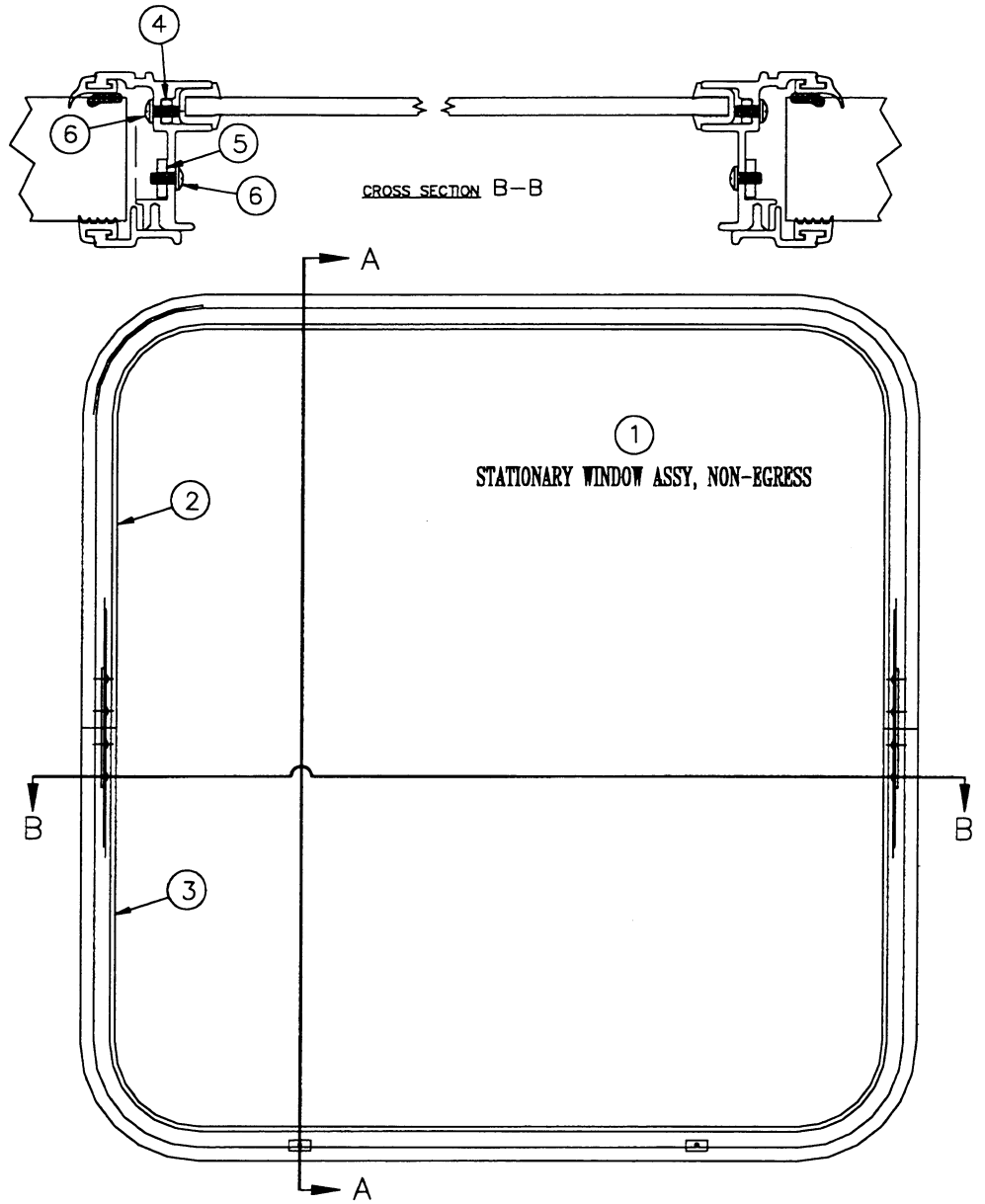
<u>KEY</u>	<u>PART NO</u>	<u>DESCRIPTION</u>	<u>QTY</u>
1		WINDOW ASSEMBLY, EXCEL, 50.38 X 38.88 EGR	
	0001831	BLK 30% LT (FEATURE 38110-06)	
	4648192	BLK 75% LT (T.O. 53402-01)	
3		GLASS, EXCEL, 50.38 X 38.88 EGR	
	0009072	BLK 30% LT (FEATURE 38110-06)	
	0009082	BLK 75% LT (T.O. 53402-01)	
4	0009073	GLAZING VINYL 50.38 X 38.88 EGR	
1		WINDOW ASSEMBLY, EXCEL, 64.38 X 38.88 EGR	
	0001833	BLK 30% LT (FEATURE 38110-06)	
	4648218	BLK 75% LT (T.O. 53402-01)	
3		GLASS, EXCEL, 64.38 X 38.88 EGR	
	0009067	BLK 30% LT (FEATURE 38110-06)	
	0009081	BLK 75% LT (T.O. 53402-01)	
4	0009069	GLAZING VINYL 64.38 X 38.88 EGR	
6	0009071	EMERGENCY RELEASE HANDLE 50.38 X 38.88	
6	0009070	EMERGENCY RELEASE HANDLE 64.38 X 38.88	
11	0009087	CABLE ASM - TIE BAR	
16	0009088	SCREW-RECESS BUMPERS	

Q4RE



CROSS SECTION A-A

DIAGRAM 0009481



CROSS SECTION B-B

**TRANSIT WINDOWS, NON-PUSHOUT
FEATURE 38110-06, T.O. 53402-01**

<u>KEY</u>	<u>PART NO</u>	<u>DESCRIPTION</u>	<u>QTY</u>
1		WINDOW ASSEMBLY, EXCEL, 50.38 X 38.88 NON-EGR	
	0001830	BLK 30% LT (FEATURE 38110-06)	
	4648184	BLK 75% LT (T.O. 53402-01)	
10		GLASS, EXCEL, 50.38 X 38.88 NON-EGR	
	0009077	BLK 30% LT (FEATURE 38110-06)	
	0009080	BLK 75% LT (T.O. 53402-01)	
11	0009078	GLAZING VINYL 50.38 X 38.88 NON-EGR	
1		WINDOW ASSEMBLY, EXCEL, 64.38 X 38.88 NON-EGR	
	0001832	BLK 30% LT (FEATURE 38110-06)	
	4648200	BLK 75% LT (T.O. 53402-01)	
10		GLASS, EXCEL, 64.38 X 38.88 NON-EGR	
	0009074	BLK 30% LT (FEATURE 38110-06)	
	0009079	BLK 75% LT (T.O. 53402-01)	
11	0009075	GLAZING VINYL 64.38 X 38.88 NON-EGR	

Q4RE

**PASSENGER WINDOW SHADES
FEATURE 38111-03**

<u>KEY</u>	<u>PART NO</u>	<u>DESCRIPTION</u>	<u>QTY</u>
	1956531	KIT CONSISTS OF THE FOLLOWING PARTS:	
NI	4615696	SHADE, WINDOW, LTC, 52", RIGHT (ENDING W/BSN 20002980)	1
NI	4615704	SHADE, WINDOW, LTC, 66", RIGHT (ENDING W/BSN 20002980)	4
NI	4616397	SHADE, WINDOW, LTC, 52", LEFT (ENDING W/BSN 20002980)	2
NI	4616405	SHADE, WINDOW, LTC, 66", LEFT (ENDING W/BSN 20002980)	4
NI	0001889	SHADE, WINDOW LTC, NEW-VIEW 53" (BEG W/CSN 20002979)	3
NI	0001890	SHADE, WINDOW LTD, NEW-VIEW 69" (BEG W/CSN 20002979)	8
NI	0002611	BRKT, MTG, WALL SHADE NEW-VIEW Q4RE (BEG W/CSN 20002979)	22

Q4RE

GLASS, WINDSHIELD, LAMINATED

KEY	PART NO	DESCRIPTION	QTY
NI	1870443	GLASS, WINDSHIELD, 2CF, 265 LAMINATED, TINTED/SHADED, 102", RH	1
NI	1870450	GLASS, WINDSHIELD, 2CF, 265 LAMINATED, TINTED/SHADED, 102", LH	1
NI	1888510	RUBBER, WINDSHIELD SEAL	1
NI	0269373	FILLERSTRIP, GLAZING RUBBER	AR
NI	*1958644	GLASS, WINDSHIELD, UPPER, RH (ENDING W/BSN 1000066)	1
NI	*1958651	GLASS, WINDSHIELD, UPPER, LH (ENDING W/BSN 1000066)	1
NI	1981422	GLASS, WINDSHIELD, UPPER, RH (BEG W/BSN 1000067)	1
NI	1981430	GLASS, WINDSHIELD, UPPER, LH (BEG W/BSN 1000067)	1

*NO LONGER AVAILABLE, CUSTOMER MUST ORDER BOTH PART
NUMBERS 1981422 (RH) AND 1981430 (LH)

Q4RE

**WINDOWS, PASSENGER SOLID GLASS
 FEATURE 38110-02
 (ENDING W/BSN 20002980)**

<u>KEY</u>	<u>PART NO</u>	<u>DESCRIPTION</u>	<u>QTY</u>
	1956481	KIT CONSISTS OF THE FOLLOWING PARTS:	
NI	1757681	WINDOW, 56" 7/32 SOLID GLASS RH/LH	
NI	1757699	56" CLAMP RING RH/LH	
NI	1757764	WINDOW, 56", EMERGENCY EXIT, 7/32 SOLID GLASS RH/LH	3
NI	1757772	56" CLAMP RING RH/LH	3
NI	1757707	WINDOW, 70" SOLID GLASS RH/LH	4
NI	1757715	70" CLAMP RING RH/LH	4
NI	1757780	WINDOW, 70.00, EE, 7/32 SOLID GLASS	4
NI	1757798	70" CLAMP RING RH/LH	4

Q4RE

**HEATER, HYDRONIC BASEBOARD
FEATURE 38102-02**

<u>KEY</u>	<u>PART NO</u>	<u>DESCRIPTION</u>	<u>QTY</u>
	1956283	KIT CONSISTS OF THE FOLLOWING PARTS:	
NI	4629812	CONVECTOR, RADIANT HT ,VAPOR	8
NI	4629820	COVER PROFILE, RADIANT HT, VAPOR	
NI	4629838	END COVER, RADIANT HT, VAPOR	4
NI	4629846	MOUNTING CLIPS, RADIANT HT, VAP	100
NI	4629853	REG UNIT, E.T.92, RADIANT	
NI	4629861	FITTING, COBRA, RADIANT HT, VAPOR	
NI	4629879	VALVE, SOLENOID, RAD HT, VAPOR	
NI	4644324	COUPLING, COBRA, EL 90 DEG.	6
NI	4644332	COUPLING, COBRA, EL 90 DEG.	2
NI	4644571	ADAPTER, 1 X 3/4, BR, MIP	2
NI	4644589	ADAPTER, 1", BR, FIP (ENDING W/BSN F20000792)	2
NI	2008522	CLAMP, 1" HOSE	6
NI	1077718	RELAY, 1" BOSCH	
NI	4646642	ADAPTER, 1" TO 22MM	4
NI	4652996	COVER, HEATER, BASE BOARD 4" X 6" ALUM	
NI	4653002	COVER, HEATER, BASE BOARD 4" X 22" ALUM	
NI	0006082	BRACKET, CLOSEOUT, HEATER HOSES (BEG. W/BSN 0000793)	2

Q4RE

**SEAT DRIVERS
FEATURE 38109-01**

<u>KEY</u>	<u>PART NO</u>	<u>DESCRIPTION</u>	<u>QTY</u>
NI	4616066	SEAT, DRIVERS (ENDING W/BSN F20000792)	1
NI	4661070	SEAT, DRIVERS (BEGINNING W/BSN F2000793)	1

Q4RE

Notes

**PASSENGER SEATING, 47 CAPACITY
FEATURE 38109-03**

<u>KEY</u>	<u>PART NO</u>	<u>DESCRIPTION</u>	<u>QTY</u>
	1956424	KIT CONSIST OF THE FOLLOWING PARTS:	
NI		SEAT, AMERICAN STG, W4494	6
	4613998	(ENDING W/BSN 0000792)	
	4661088	(BEGINNING W/BSN 0000793)	
NI		SEAT, AMERICAN STG, W4494	5
	4613980	(ENDING W/BSN 0000792)	
	4661096	(BEGINNING W/BSN 0000793)	
NI		SEAT, AMERICAN STG, W4494	5
	4614012	(ENDING W/BSN 0000792)	
	4661104	(BEGINNING W/ BSN 000793)	
NI		SEAT, AMERICAN STG, W4494	6
	4614004	(ENDING W/BSN 0000792)	
	4661112	(BEGINNING W/BSN 0000793)	
NI		SEAT, AMERICAN STG, W4494	1
	4614020	(ENDING W/BSN 0000792)	
	4661120	(BEGINNING W/BSN 0000793)	

Q4RE

**PASSENGER SEATING, 49 CAPACITY
FEATURE 38109-04**

<u>KEY</u>	<u>PART NO</u>	<u>DESCRIPTION</u>	<u>QTY</u>
	1956424	KIT CONSIST OF THE FOLLOWING PARTS:	
NI		SEAT, AMERICAN STG, W4494	
	4613998	(ENDING W/BSN 0000792)	6
	4661088	(BEGINNING W/BSN 0000793)	6
NI		SEAT, AMERICAN STG, W4494	
	4613980	(ENDING W/BSN 0000792)	5
	4661096	(BEGINNING W/BSN 0000793)	5
NI		SEAT, AMERICAN STG, W4494	
	4614012	(ENDING W/BSN 0000792)	6
	4661104	(BEGINNING W/ BSN 000793)	5
NI		SEAT, AMERICAN STG, W4494	
	4614004	(ENDING W/BSN 0000792)	6
	4661112	(BEGINNING W/BSN 0000793)	6
NI		SEAT, AMERICAN STG, W4494 (3-PASSENGER DAV)	
	4614020	(ENDING W/BSN 0000792)	1
	0004650	(BEGINNING W/BSN 0000793)	1
NI		SEAT, AMERICAN STG, W4494 (2-PASSENGER DAV)	
	4661666	(BEGINNING W/BSN 0000793)	1

Q4RE

**PASSENGER SEATING, 47 CAPACITY
FEATURE 38109-05**

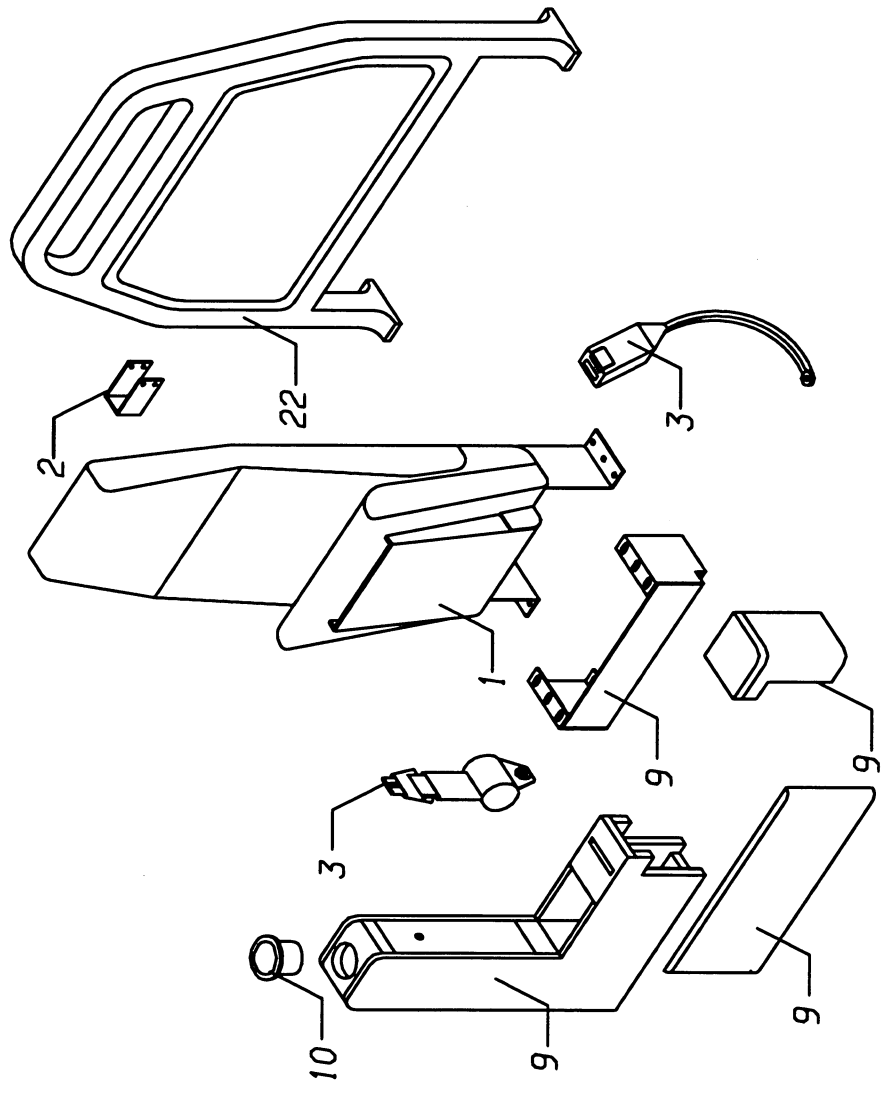
<u>KEY</u>	<u>PART NO</u>	<u>DESCRIPTION</u>	<u>QTY</u>
	1956440	KIT CONSIST OF THE FOLLOWING PARTS:	
NI		SEAT, AMERICAN STG, W4494	6
	4632956	(ENDING W/BSN 0000792)	
	4661138	(BEGINNING W/BSN 0000793)	
NI		SEAT, AMERICAN STG, W4494	5
	4632964	(ENDING W/BSN 0000792)	
	4661146	(BEGINNING W/BSN 0000793)	
NI		SEAT, AMERICAN STG, W4494	5
	4632972	(ENDING W/BSN 0000792)	
	4661153	(BEGINNING W/ BSN 000793)	
NI		SEAT, AMERICAN STG, W4494	6
	4632980	(ENDING W/BSN 0000792)	
	4661161	(BEGINNING W/BSN 0000793)	
NI		SEAT, AMERICAN STG, W4494	1
	4632998	(ENDING W/BSN 0000792)	
	4661179	(BEGINNING W/BSN 0000793)	

Q4RE

**PASSENGER SEATING, 49 CAPACITY
FEATURE 38109-06**

<u>KEY</u>	<u>PART NO</u>	<u>DESCRIPTION</u>	<u>QTY</u>
	1956457	KIT CONSIST OF THE FOLLOWING PARTS:	
NI		SEAT, AMERICAN STG, W4494	
	4632956	(ENDING W/BSN 0000792)	6
	4661138	(BEGINNING W/BSN 0000793)	6
NI		SEAT, AMERICAN STG, W4494	
	4632964	(ENDING W/BSN 0000792)	5
	4661146	(BEGINNING W/BSN 0000793)	5
NI		SEAT, AMERICAN STG, W4494	
	4632972	(ENDING W/BSN 0000792)	6
	4661153	(BEGINNING W/ BSN 000793)	5
NI		SEAT, AMERICAN STG, W4494	
	4632980	(ENDING W/BSN 0000792)	6
	1661161	(BEGINNING W/BSN 0000793)	6
NI		SEAT, AMERICAN STG, W4494 (3-PASSENGER DAV)	
	4632998	(ENDING W/BSN 0000792)	1
	4661666	(BEGINNING W/BSN 0000793)	1
NI		SEAT, AMERICAN STG, W4494 (2-PASSENGER DAV)	
	0004650	(BEGINNING W/BSN 0000793)	1

Q4RE



**TOUR GUIDE SEAT, PASSENGERS,
FEATURE 38109-02**

<u>KEY</u>	<u>PART NO</u>	<u>DESCRIPTION</u>	<u>QTY</u>
1		SEAT, TOUR GUIDE	
	4645511	(ENDING W/ BSN 20008489)	
	0005832	(BEGINNING W/ BSN 20008490)	
NI	4648291	BRACKET, MTG., SEAT, HOSTESS, BOTTOM	
2	4653051	BRACKET, MTG, MODESTY PANEL	2
3	6046197	SEAT BELT SET, LH	
9		CAB, HOSTESS SEAT	
	4652988	(ENDING W/ BSN 20000792)	
	4681591	(BEGINNING W/ BSN 20000793)	
10		CUP HOLDER	
	4520581	CHROME	
	4655262	BLACK	
22	4615621	MODESTY PANEL, EL LAMP	
NI	4629994	FOOTREST RETRACTABLE, HOSTESS	
NI	6046197	SEAT BELT SET, LH, PILOT SI.	

Q4RE

**INSIDE REARVIEW MIRROR
4" X 16"**

<u>KEY</u>	<u>PART NO</u>	<u>DESCRIPTION</u>	<u>QTY</u>
NI	1673490	MIRROR, REARVIEW, INTERIOR	
NI	1673508	BRACKET, MTG., MIRROR, REARVIEW	

Q4RE, QBRE

Notes

OUTSIDE REARVIEW MIRROR

<u>KEY</u>	<u>PART NO</u>	<u>DESCRIPTION</u>	<u>QTY</u>
NI	4641353	MIRROR, EXTERIOR, PAINTABLE	2

Q4RE

Notes

WIPERS

<u>KEY</u>	<u>PART NO</u>	<u>DESCRIPTION</u>	<u>QTY</u>
NI		WIPER ASSY, W/S,ELEC, LH	1
	1600469	(ENDING W/BSN F20000861)	
	1580257	(BEG W/BSN F20000862)	
NI		WIPER ASSY, W/S,ELEC, RH	1
	1600477	(ENDING W/BSN F20000861)	
	1580240	(BEG W/BSN F20000862)	
NI	1958636	BLADE, W/S WIPER 28" (ENDING W/BSN F20000861)	2
NI	1974070	BLADE, W/S, WIPER 26" (BEG W/BSN F20000862)	2
NI	1983600	WIPER ARM ASSY., PANTOGRAPH,31"	2
NI	1290493	PIVOT, PARLGM, ELECTRIC	2
NI	1307297	SPACER, MTG, WIPER MOTOR	2
NI	6075352	BOTTLE, W/S WASHER, 5 QUART	
NI	1961101	PANEL,MTG. W/S WIPER MOTOR, RH	
NI	1961119	PANEL,MTG. W/S WIPER MOTOR, LH	

B4RE, Q4RE, W4RE

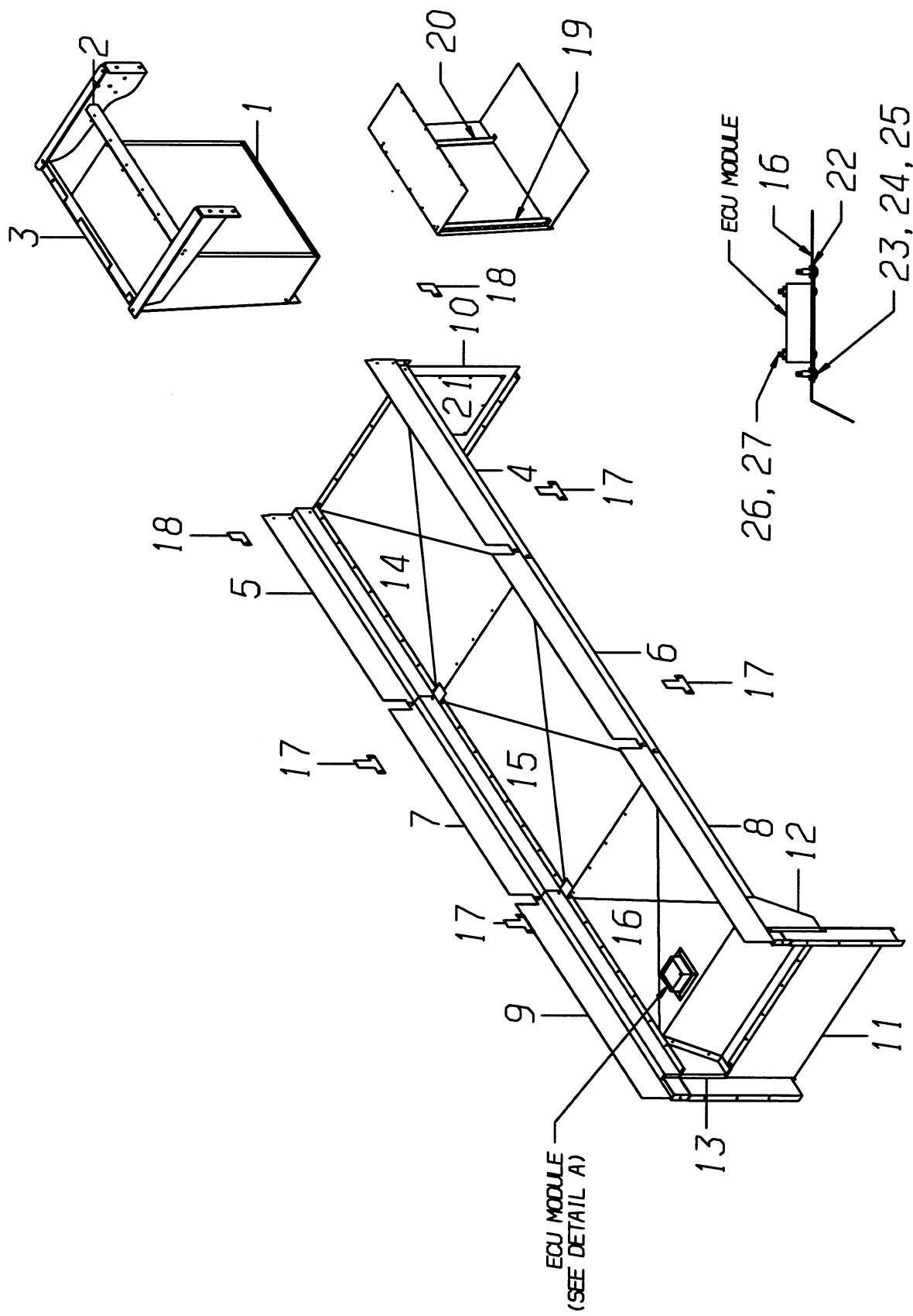
LIGHTS AND LENS

<u>KEY</u>	<u>PART NO</u>	<u>DESCRIPTION</u>	<u>QTY</u>
NI	6051312	LIGHT, HALOGEN MAP LIGHT	1
NI	1624519	LIGHT ASSY, DOME	2
NI	1258003	LENS, DOME LIGHT, W/EMBLEM	2
NI	2268522	SWITCH, DOME AND CLEARANCE LIGHT	
NI	1370048	LIGHT, STEPWELL, ENGINE COMPARTMENT	2
NI	3909082	LAMP, SHOCKMOUNT	4
NI	1970979	LIGHT ASSY, CLEARANCE, RED	5
NI	4306023	LENS, CLEARANCE RED	1
NI	2255636	BULB,CLEARANCE LIGHT	
NI	1280601	LIGHT, CLEARANCE, AMBER	9
NI	4306031	LENS, CLEARANCE, AMBER	1
NI	1341700	LIGHT ASSY, PARKING	2
NI	1619980	LIGHT ASSY, LICENSE PLATE	4
NI	1949510	HEADLAMP, RECTANGULAR, SINGLE	4
NI	6044929	LIGHT, FLOOD	2
NI	6074280	TAILLIGHT, TURN	2
NI	6074298	TAILLIGHT, BACKUP	2
NI	6074306	GASKET, TAILLIGHT,	4
NI	3959079	LIGHT, DRIVING, CLEAR	2
NI	4644985	LAMP, AUTO, MINIATURE, 12 V	12
NI	4644993	LIGHT, FLOURESCENT FIXTURE	11
NI	4650578	LAMP, INTERIOR	7
NI	4652806	LAMP. AUTO, MINIATURE 12 V #89	12
NI	4652962	COVER, LIGHT, CEILING, MOUNTED	13

Q4RE

Notes

Notes



LUGGAGE COMPARTMENT PARTITIONS

<u>KEY</u>	<u>PART NO</u>	<u>DESCRIPTION</u>	<u>QTY</u>
1	1946185	COMPARTMENT ASSY, L/CMPT, DRV AREA	1
2	1932854	BRACKET, SUPPORT, L/ CMPT, DRIVERS	1
3	1932847	SUPPORT, L/CMPT, DRIVERS AREA	1
4		PANEL, L/CMPT, SIDE, RH, NO 1	1
	1949924	BLACK	
	0008124	GRAY	
5		PANEL, L/CMPT, SIDE, LH, NO 1	1
	1946932	BLACK	
	0008127	GRAY	
6		PANEL, L/CMPT, SIDE, RH,NO.2	1
	1936913	BLACK	
	0008126	GRAY	
7		PANEL, L/CMPT, SIDE, LH,NO 2	1
	1936921	BLACK	
	0008129	GRAY	
8		PANEL, L/CMPT, RH NO. 3	1
	1936962	BLACK	
	0008125	GRAY	
9		PANEL, L/CMPT, SIDE LH NO 3	1
	1936970	BLACK	
	0008130	GRAY	
10		PANEL, L/CMPT, LWR, FRT	1
	1951052	BLACK	
	0008123	GRAY	
11		PANEL, L/CMPT, LWR, RR	1
	1951078	BLACK	
	0008131	GRAY	
12		PANEL, L/CMPT, CLOSEOUT, RH	1
	1951102	BLACK	
	0008132	GRAY	
13		PANEL, L/CMPT, CLOSEOUT, LH	1
	1951110	BLACK	
	0008133	GRAY	
14		PANEL, L/CMPT, UPR, NO.1	1
	1951060	BLACK	
	0008134	GRAY	
15		PANEL, L/CMPT, TOP NO. 2	1
	1951128	BLACK	
	0008135	GRAY	
16		PANEL, L/ CMPT, UPR NO. 3	1
	1951094	BLACK	
	0008137	GRAY	

Q4RE

LUGGAGE COMPARTMENT PARTITIONS

<u>KEY</u>	<u>PART NO</u>	<u>DESCRIPTION</u>	<u>QTY</u>
17		PLATE, SEALING TEE L/CMPT (BEGINNING W/BSN F20004895)	4
	0000917	BLACK	
	0008122	GRAY	
18		PLATE, SEALING, 'L' L/CMPT (BEGINNING W/BSN F20004895)	2
	0000916	BLACK	
	0008138	GRAY	
19	1989805	BRACKET, SIDE SUPPORT DR CMPT RR (BEGINNING W/BSN F20000719)	1
20	1989805	BRACKET, SIDE SUPPORT DR CMPT FRT (BEGINNING W/BSN F20000719)	1
21		PANEL, L/CMPT, ACCESS PANEL (REQD W/PANEL 10) (BEG. W/BSN F20007890)	1
	1959642	BLACK	
	0008139	GRAY	
22		COVER, ABS ECU ACCESS (BEGINNING W/BSN F20004895)	1
	0002243	BLACK	
	0008140	GRAY	
23	1686617	PULSNUT, 1/4-20	4
24	1307917	SCREW MACN, 1/4-20X1-1/4	4
25	2001170	LOCKWASHER, SPLIT RING 1/4 MED, YEL	4
NI	1818012	TAPE, ADHESIVE	6FT
NI	0621953	TAPE, FOAM	AR

* SEE NEXT PAGE FOR COMPARTMENT DOORS.

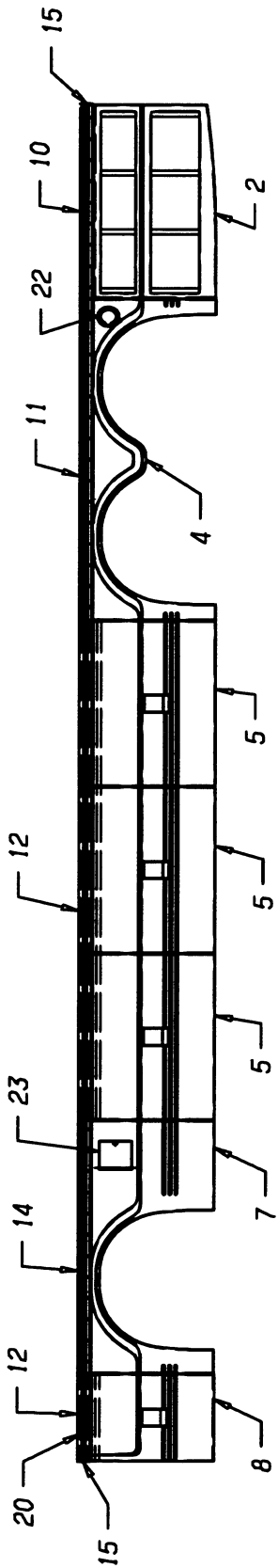
Q4RE

Notes

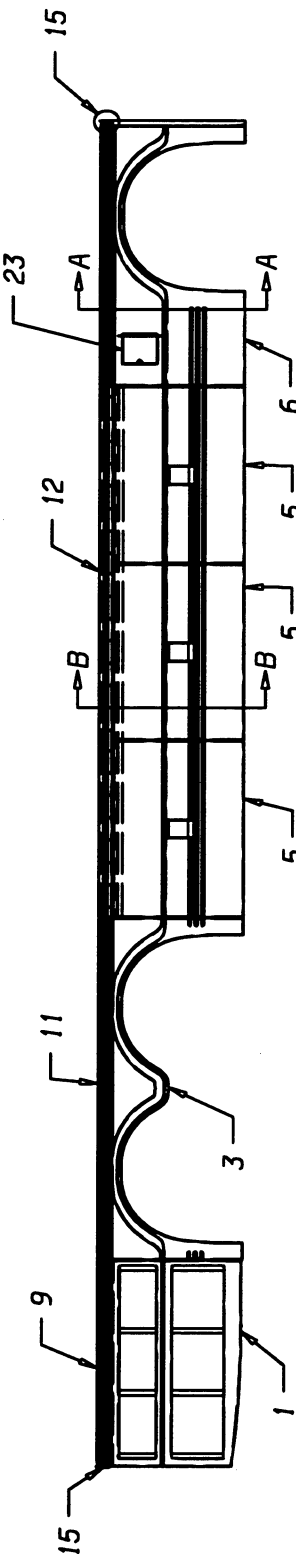


DR. 1/22/99	BY J.L.	0014209	D
APP. 1/22/99	BY AB	FRT	REV

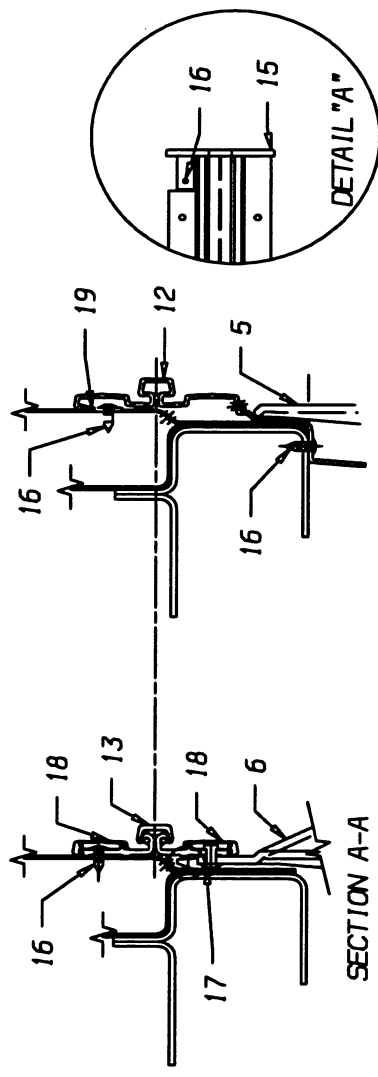
© BSAE 8170 BODY COMPANY. ALL RIGHTS RESERVED.



VIEWED FROM LEFT HAND SIDE



VIEWED FROM RIGHT HAND SIDE



EXTERIOR SIDE PANELS & COMPARTMENT DOORS

KEY	PART NO	DESCRIPTION	QTY
1	1979905	COVER ASSY., SIDE ENGINE COMPARTMENT, RH	
2	1979913	COVER ASSY., SIDE ENGINE COMPARTMENT, LH	
NI	1966506	BEARING, COMPOSITE, LUGGAGE DOOR	18
NI	1966514	BEARING, FLANGE, LUGGAGE DOOR, UPPER	36
NI		LINKAGE ASSY., LUGGAGE DOOR LOWER	18
NI	1966555	(ENDING W/BSN 20006144)	
NI	0001495	(BEGINNING W/BSN 20006145)	
3	1953900	COVER, SI, WHL WELL, RH	
4	1953892	COVER, SI, WHL WELL, LH	
5	1972512	DOOR ASSY., LUGGAGE CMPT., MID	
	1705318	HANDLE ASSY., LOCKING, LUGGAGE COMPARTMENT KIT, LOCK, COMPARTMENT DOORS	
	1721513	(ENDING W/ BSN 20000746)	
	0001011	(BEGINNING W/ BSN 20000747)	
NI	1980861	SPRING, GAS, LUGGAGE CMPT. DOOR, MIDDLE & DRIVERS	
6		COVER, SIDE WHEEL WELL, RH FRONT	
	1959352	(ENDING W/BSN E20000279)	
	0010777	(BEGINNING W/BSN E20000280)	
7		COVER, SIDE WHEEL WELL, LH FRONT	
	1959360	(ENDING W/BSN 20000279)	
	0010769	(BEGINNING W/BSN 20000280)	
8	1972520	DOOR ASSY., LUGGAGE CMPT., DRIVERS	
9	1932920	HINGE, L/CMPT, RADIATOR, RH	
10	1932938	HINGE, L/CMPT, RADIATOR, LH	
11	1940378	HINGE, L/CMPT, RR, W/H	2
12	1954064	EXTRUSION, W/LUGG FLANGE	
13	1932953	HINGE, L/CMPT, FRT, RH, W/H	
14	1932946	HINGE, L/CMPT, FRT, LH, W/H	
15	1707264	CAP, END, HINGE ASSY., LUGGAGE CMPT	4
16	0864579	SCREW, 10-16 x 3/4, PAN HD	
17	0542019	RIVET, LONG CHERRY	
18	1707116	MOLDING, HINGE, SNAP-ON, 10 FT. LENGTH	
19	1931328	BRACKET, SUPPORT, EXTRUSION, 55.13	6
20	1931344	BRACKET, SUPPORT, EXTRUSION, 28.75	
22	1709765	DOOR ASSY., FUEL FILL W/LOCK	
23	0010801	DOOR, FUEL FILL	

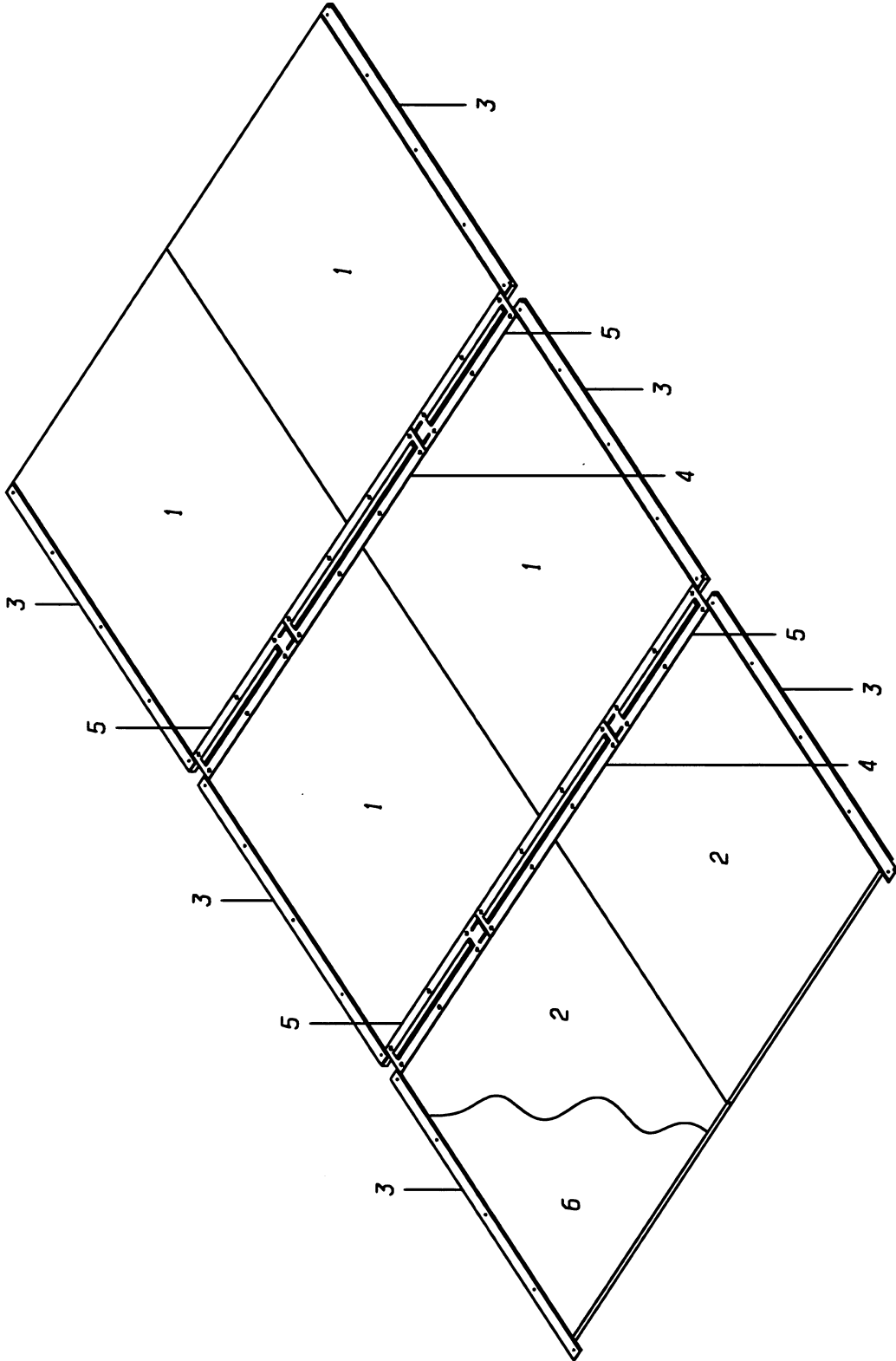
Q4RE



11.1.10

DR. 1/22/99 BY J.L.	1954072	D
APP. 1/22/99 BY AB	FRT	REV

© BLUE BIRD BODY COMPANY, ALL RIGHTS RESERVED



LUGGAGE COMPARTMENT FLOOR

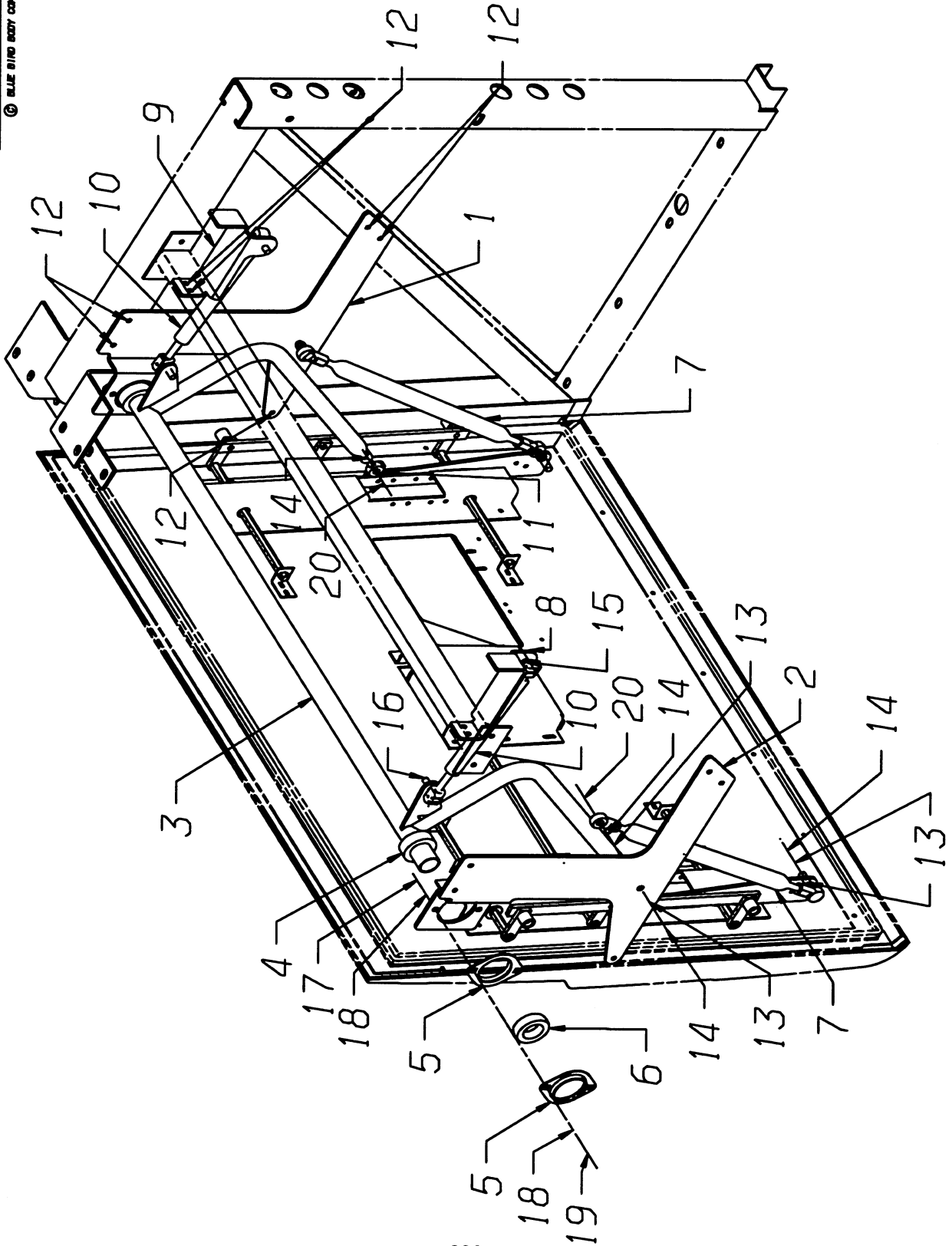
<u>KEY</u>	<u>PART NO</u>	<u>DESCRIPTION</u>	<u>QTY</u>
1	1954023	PLYWOOD, L/CMPT FLOOR, FRT, MID	4
2	1936947	PLYWOOD, L/CMPT FLOOR, RR	2
3	0005783	TRIM, L/CMPT FLOOR	6
4	1974211	TRIM, LUGG FLOOR COVERING, CENTER	2
5	1974229	TRIM, LUGG FLOOR COVERING, SIDE	4
6	1974203	FLOOR COVER	23 FT
NI	1266600	SCREW	40
NI	2016632	SCREW	30

Q4RE



DR. 1/29/99	BY NM	0001479	C
APP. 1/29/99	BY AB	1 OF 1	REV
FRT			

© BLUE BIRD BODY COMPANY. ALL RIGHTS RESERVED



PANTOGRAPH LUGGAGE DOOR ASSEMBLY

LUGGAGE COMPARTMENT DOOR ASSEMBLY

<u>KEY</u>	<u>PART NO</u>	<u>DESCRIPTION</u>	<u>QTY</u>
1		BRACKET, MTG LUG DR LNKG	
	1967942	OTRG, RH (ASSEMBLY B AND C)	
	1981240	FRT DRV CMPT (ASSEMBLY D)	
	1981273	FRT HOLDING TANK CMPT (ASSEMBLY E)	
2		BRACKET	
	1969625	MTG, LUG DR LNKG ORTH LH (ASSEMBLY B AND E)	
	1981281	LUG DR LNKG RR HLDG TK CMPT (ASSEMBLY C)	
	1981208	MTG, LUG DR LNKG DRV CMPT	
3		LINKAGE ASSY, LUG DR, TOP LINK	
	0001099	51.97 (ASSEMBLY B, C AND E)	
		25.46 (ASSEMBLY D)	
4	1959147	COLLAR, SHAFT, 1.23 ID X 2" OD	2
5	1966514	BEARING, FLANGE, LUGG DOOR, UPR LNK	4
6	1966506	BEARING, COMPOSITE, LUGG DOOR, UPR LNK	2
7		LINKAGE ASSY, LUGG DR, LWR LINK	2
	1966555	(ENDING W/BSN 20006144)	
	0001495	(BEGINNING W/BSN 20006145)	
8	1969633	BRACKET, GAS SPRING, LUGG DR, SPR – GRD, RH	
9	1967983	BRACKET, GAS SPRING, LUGG DR, SPR – GRD, LH	
10	1980861	SPRING, GAS, 2— LBF, LG11 81TO19, 69 SMALL END	2
11	1966738	ROD END, MALE THREAD, PLAIN BALL END	
12	1589530	SCREW	14
13	1078922	WASHER, FLAT	8
14	2204402	NUT, HEX	8
15	1316694	CLIP, GAS SPRING	4
16	1316686	STUD, GAS SPRING	4
17	1465954	NUT, HEX	4
18	2106292	WASHER	8
19	2509560	BOLT	4
20	2028330	CAPSCREW	2
NI	3928017	SWITCH, MERCURY, COMPARTMENT DOOR LIGHT	

*** NOTE QUANTITIES ARE PER ASSEMBLY**

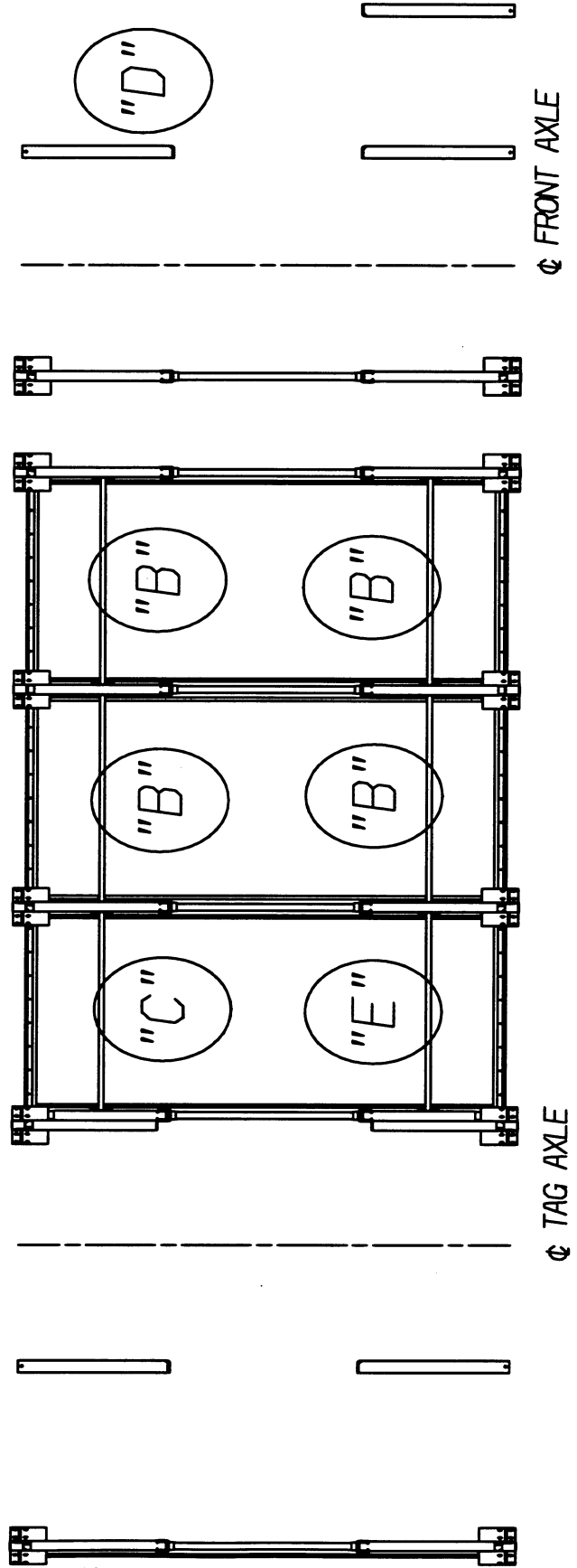
Q4RE



BLUE BIRD

DR. 1/29/99 BY NW	0001479	C
APP. 1/29/99 BY AB	FRT 2 OF 2	REV

© BLUE BIRD BODY COMPANY. ALL RIGHTS RESERVED



Q4RE PANTOGRAPH DOOR ASSEMBLY LOCATIONS

LUGGAGE COMPARTMENT DOOR ASSEMBLY

KEY	PART NO	DESCRIPTION	QTY
1		BRACKET, MTG LUG DR LNKG	
	1967942	OTRG, RH (ASSEMBLY B AND C)	
	1981240	FRT DRV CMPT (ASSEMBLY D)	
	1981273	FRT HOLDING TANK CMPT (ASSEMBLY E)	
2		BRACKET	
	1969625	MTG, LUG DR LNKG ORTH LH (ASSEMBLY B AND E)	
	1981281	LUG DR LNKG RR HLDG TK CMPT (ASSEMBLY C)	
	1981208	MTG, LUG DR LNKG DRV CMPT	
3		LINKAGE ASSY, LUG DR, TOP LINK	
	0001099	51.97 (ASSEMBLY B, C AND E)	
		25.46 (ASSEMBLY D)	
4	1959147	COLLAR, SHAFT, 1.23 ID X 2" OD	2
5	1966514	BEARING, FLANGE, LUGG DOOR, UPR LNK	4
6	1966506	BEARING, COMPOSITE, LUGG DOOR, UPR LNK	2
7		LINKAGE ASSY, LUGG DR, LWR LINK	2
	1966555	(ENDING W/BSN 20006144)	
	0001495	(BEGINNING W/BSN 20006145)	
8	1969633	BRACKET, GAS SPRING, LUGG DR, SPR - GRD, RH	
9	1967983	BRACKET, GAS SPRING, LUGG DR, SPR - GRD, LH	
10	1980861	SPRING, GAS, 2— LBF, LG11 81TO19, 69 SMALL END	2
11	1966738	ROD END, MALE THREAD, PLAIN BALL END	
12	1589530	SCREW	14
13	1078922	WASHER, FLAT	8
14	2204402	NUT, HEX	8
15	1316694	CLIP, GAS SPRING	4
16	1316686	STUD, GAS SPRING	4
17	1465954	NUT, HEX	4
18	2106292	WASHER	8
19	2509560	BOLT	4
20	2028330	CAPSCREW	2
NI	3928017	SWITCH, MERCURY, COMPARTMENT DOOR LIGHT	

*** NOTE QUANTITIES ARE PER ASSEMBLY**

Q4RE

**BACKING SAFETY HORN
FEATURE 30310**

<u>KEY</u>	<u>PART NO</u>	<u>DESCRIPTION</u>	<u>QTY</u>
NI		FEATURE 30310-01	
	0003311	HORN, BACKING ALARM, 107 DB	
	0072272	CLIP, WIRING	
	1589530	SCREW, 1/4-14 x 3/4	
	1684141	DECAL, BACK-UP ALARM	
	2001121	WASHER, FLAT, 5/16 x 3/4 x 5/6	
NI		FEATURE 30310-02	
	0003312	HORN, BACKING ALARM, 112 DB	
	0072272	CLIP, WIRING	
	1589530	SCREW, 1/4-14 x 3/4	
	1684141	DECAL, BACK-UP ALARM	
	2001121	WASHER, FLAT, 5/16 x 3/4 x 5/6	

A3RE, CSRE, DRRE, Q4RE, QBRE

**KIT, AUXILIARY, HVAC, 120 VAC W/10KW GENERATOR
FEATURE 38102-03**

<u>KEY</u>	<u>PART NO</u>	<u>DESCRIPTION</u>	<u>QTY</u>
	1956291	KIT CONSISTS OF THE FOLLOWING PARTS:	
NI	4015962	BOX, LOAD CENTER, 60 AMP	
NI	3794617	BREAKER, CIRCUIT, 20 AMP	2
NI	2210102	CABLE, 6-3, WITH NO 8 GROUND	35 FT
NI	2015386	CABLE, NM, 12/2 WG, COPPER	100 FT
NI	6091862	GENERATOR, ENCLOSED 10 KW	
NI	6091870	KIT ASSY, GENERATOR, EXHAUST	
NI	6090286	AIR CONDITIONER, DOMESTIC	2

Q4RE

**LUMINATOR DESTINATION SIGN
FEATURE 38103-01**

<u>KEY</u>	<u>PART NO</u>	<u>DESCRIPTION</u>	<u>QTY</u>
NI	4629887	SIGN, DEST, MATRIX MAX FRONT	1
NI	4650453	KEYBOARD, OPERATOR'S DISPLAY	1

Q4RE

**RADIO AM/FM, CASSETTE KIT,
FEATURE 38104-01**

<u>KEY</u>	<u>PART NO</u>	<u>DESCRIPTION</u>	<u>QTY</u>
NI	6035992	ADAPTER, RCA TO F CONNECTOR	
NI	3808748	ANTENNA, WHIP, AM/FM & CB	
NI	3804879	COIL, ANTENNA, AM/FM	
NI	3823325	SPRING, SHOCK, ANTENNA	
NI	6011043	NUT, HEX, 5/16-18, LOCKING	
NI	6100424	RADIO, AM/FM CASSETTE	
NI	6084529	AMPLIFIER, KENWOOD	
NI	3981735	CABLE, AUDIO INTERCONNECT	

Q4RE

**CB, 40 CHANNEL RADIO KIT
FEATURE 38104-02**

<u>KEY</u>	<u>PART NO</u>	<u>DESCRIPTION</u>	<u>QTY</u>
NI	0001220	RADIO, MOBILE CB	
NI	3942778	ANTENNA, CB,	

Q4RE

**VCP W/4 MONITORS
FEATURE 38105-01
(ENDING W/ BSN 20000792)**

<u>KEY</u>	<u>PART NO</u>	<u>DESCRIPTION</u>	<u>QTY</u>
	1956333	KIT CONSISTS OF THE FOLLOWING PARTS:	
NI	6091730	VIDEO CASSETTE PLAYER ASSY. W/VIDEO	
NI	6091748	MONITOR, VIDEO, 9"	4
NI	6091755	MONITOR, VIDEO, 9", PAD	4
NI	6091763	HARNESS, WIRE, MAIN	
NI	6091771	SYSTEM, VIDEO, FEED MAIN POWER	
NI	6091789	MICROPHONE, EXTENSION 24FT CBL	
NI	6091797	MICROPHONE CB-103	
NI	6091805	MICROPHONE, CLIP CRC-100B	
NI	6091813	SPEAKER & MEM, PIGTAIL	
NI	6091821	INTERFACE JVC RADIO	
NI	6091839	RADIO, AM/FM	
NI	6091847	VIDEO ON/OFF PIGTAIL	
NI	3812062	ANTENNA MTG KIT, AM/FM, LARSEN	
NI	6092159	CONNECTOR	
NI	6092167	HOUSING, CONNECTOR	8
NI	6092175	PINS, CONTACT	16
NI	2203081	ADAPTER, TV CABLE TO CABLE	4
NI	2203099	CONNECTOR, TV	8
NI	6035992	ADAPTER, RCA TO F CONNECTOR	
NI	3808748	ANTENNA, WHIP, AM/FM & CB	
NI	3804879	COIL, ANTENNA	
NI	3823325	SPRING, SHOCK	
NI	6011043	NUT, HEX, 5/16 -18, LOCKING	
NI	4646261	SPACER, RAD, ANGLED, 10" VIDEO	2
NI	4646279	SPACER, RAD, ANGLED, 10" VIDEO	2
NI	4652798	ROD, NYLON, HOLLOW, 5/8 OD x 3/8	

Q4RE

**VCP W/ 4 MONITORS
FEATURE 38105-01
(BEGINNING W/ BSN 20000793)**

<u>KEY</u>	<u>PART NO</u>	<u>DESCRIPTION</u>	<u>QTY</u>
	1956333	KIT CONSISTS OF THE FOLLOWING PARTS:	
NI	0001835	VCP ASSY., W/ VIDEO	
NI	6091748	MONITOR, VIDEO, 9"	4
NI	6091755	MONITOR, VIDEO, 9" PAD	4
NI	6091763	HARNESS, WIRE, MAIN	
NI	6091771	SYSTEM, VIDEO, FEED, MAIN POWER	
NI	6091789	MICROPHONE, EXTENSION, 24 FT.	
NI	6091797	MICROPHONE, HAND HELD CB-103	
NI	6091805	MICROPHONE, CLIP	
NI	6091813	SPEAKER & MEM PIGTAIL	
NI	6091821	INTERFACE, JVC RADIO	
NI	0001988	RADIO, KENWOOD, AM/FM/CASS/CD CONTROLLER	
NI	6091847	VIDEO ON/OFF, PIGTAIL	
NI	3812062	ANTENNA, AM/FM LARSEN NMOK, W/CONN	
NI	6092167	HOUSING, CONNECTOR	8
NI	6092175	PINS, CONTACT	16
NI	2203099	CONNECTOR, TV	8
NI	6035992	ADAPTER, RCA TO F CONNECTOR	
NI	3808748	ANTENNA, WHIP, AM/FM & CB	
NI	3804879	COIL, ANTENNA, AM/FM	
NI	3823325	SPRING, SHOCK, LARSEN, ANTENNAS	
NI	0001981	PIGTAIL, POWER, VCP ASSY., 3'	
NI	0001983	CABLE, AUDIO, VCP TO VCP BASE ASSY., 3'	
NI	0001984	CABLE, COAX, VIDEO, VCP TO VCP BASE ASSY.	
NI	0001985	CABLE, EXT, MAIN WH, SPEAKER HOOK-UP	
NI	0001986	CABLE, EXT, MAIN WH, RADIO HOOK-UP	
NI	0001987	CABLE, EXT, MAIN WH, VCP CONTROLS	
NI	0003674	PIGTAIL, INTERFACE, JVC RADIO, 1 FT.	
NI	0003672	CABLE, POWER, MAIN, VIDEO SYSTEM, 22 FT.	
NI	0004741	PLATE, BACKING, MIC CABLE CONNECTOR	

Q4RE

**VCR/AM-FM STEREO RADIO W/6 MONITORS KIT,
FEATURE 38105-02
(ENDING W/ BSN 20000792)**

<u>KEY</u>	<u>PART NO</u>	<u>DESCRIPTION</u>	<u>QTY</u>
NI	6091730	VIDEO CASSETTE PLAYER ASSY., W/VIDEO	
NI	6091748	MONITOR, VIDEO, 9"	6
NI	6091755	PAD, MONITOR, VIDEO, 9"	6
NI	6019763	HARNESS, WIRE, MAIN	1
NI	6091771	SYSTEM, VIDEO, FEED MAIN POWER	
NI	6091789	MICROPHONE, EXTENSION 24" CBL	
NI	6091797	MICROPHONE, CB-103	
NI	6091805	MICROPHONE, CLIP	
NI	6091813	SPEAKER & MEM, PIGTAIL	
NI	6091821	INTERFACE, JVC RADIO	
NI	6091839	RADIO , AM/FM, JVC	
NI	6091847	VIDEO ON/OFF PIGTAIL	
NI	3812062	ANTENNA MTG. KIT, AM/FM	
NI	6092159	CONNECTOR, Y	
NI	6092167	HOUSING, CONNECTOR	12
NI	6092175	PINS, CONTACT	24
NI	2203081	ADAPTER, TV CABLE TO CABLE	6
NI	2203099	CONNECTOR, TV	12
NI	6035992	ADAPTER, RCA TO F CONNECTOR	
NI	3808748	ANTENNA, WHIP, AM/FM & CB	
NI	3804879	COIL, ANTENNA, AM/FM	
NI	3823325	SPRING, SHOCK,	
NI	6011043	NUT, HEX, 5/16 - 18 LOCKING	
NI	4646261	SPACER, RAD, ANGLED, 10"	3
NI	4646279	SPACER, RAD, ANGLED, 10"	3
NI	4652798	ROD, NYLON, HOLLOW, 5/8 OD x 3/8 ID x 60"	

Q4RE

**VCP/AM-FM STEREO RADIO W/ 6 MONITORS KIT
FEATURE 38105-02
(BEGINNING W/ BSN 20000793)**

<u>KEY</u>	<u>PART NO</u>	<u>DESCRIPTION</u>	<u>QTY</u>
NI	0001835	VCP ASSY., W/ VIDEO	
NI	6091748	MONITOR, VIDEO, 9"	6
NI	6091755	MONITOR, VIDEO, 9" PAD	6
NI	6091763	HARNESS, WIRE, MAIN	
NI	6091771	SYSTEM, VIDEO, FEED, MAIN POWER	
NI	6091789	MICROPHONE, EXTENSION 24 FT.	
NI	6091797	MICROPHONE, HAND-HELD	
NI	6091805	MICROPHONE, CLIP	
NI	6091813	SPEAKER & MEM PIGTAIL	
NI	6091821	INTERFACE, JVC RADIO	
NI	0001988	RADIO, KENWOOD, AM/FM/CASS/CD CONTROLLER	
NI	6091847	VIDEO ON/OFF, PIGTAIL	
NI	3812062	ANTENNA, AM/FM LARSEN NMOK, W/ CONN	
NI	6092167	HOUSING, CONNECTOR	12
NI	6092175	PINS, CONTACT	24
NI	2203099	CONNECTOR, TV	12
NI	6035992	ADAPTER, RCA TO F CONNECTOR	
NI	3808748	ANTENNA, WHIP, AM/FM & CB	
NI	3804879	COIL, ANTENNA, AM/FM	
NI	3823325	SPRING, SHOCK, LARSEN, ANTENNAS	
NI	0001981	PIGTAIL, POWER, VCP ASSY., 3'	
NI	0001983	CABLE, AUDIO, VCP TO VCP BASE ASSY., 3'	
NI	0001984	CABLE, COAX, VIDEO, VCP TO VCP BASE ASSY.	
NI	0001985	CABLE, EXT, MAIN WH, SPEAKER HOOK-UP	
NI	0001986	CABLE, EXT, MAIN WH, RADIO HOOK-UP	
NI	0001987	CABLE, EXT, MAIN WH, VCP CONTROLS	
NI	0003674	PIGTAIL, INTERFACE, JVC RADIO, 1 FT.	
NI	0003672	CABLE, POWER, MAIN, VIDEO SYSTEM, 22 FT.	
NI	0004741	PLATE, BACKING, MIC CABLE CONNECTOR	

Q4RE

**REAR VISION CAMERA W/MONITOR KIT
FEATURE 38105-03**

<u>KEY</u>	<u>PART NO</u>	<u>DESCRIPTION</u>	<u>QTY</u>
NI	6070015	SYSTEM, REARVISION	
NI	3750734	SCREW,SM,PH,PN/HD, 6-20 X 3/4	4
NI	4650545	MONITOR MOUNTING ASSY.	
NI	4644365	COVER, BACK-UP MONITOR	
NI	6011043	NUT, HEX, 5/16 -18 ,LOCKING	4
NI	6069363	SCREW, MACH, PH, TH 10-32 X 3/4	4

Q4RE

**AUDIO/VIDEO REI, 4 MONITORS KIT
FEATURE 38105-04**

<u>KEY</u>	<u>PART NO</u>	<u>DESCRIPTION</u>	<u>QTY</u>
NI	0008584	ANTENNA, AUDIO VIDEO SYSTEM	
NI	0006501	MONITOR, 12V, AUDIO VISUAL SYSTEM	4
NI	0006503	BRACKET, SLIDE, SLIDE AUDIO VIDEO SYSTEM	4
NI	0006527	KIT, DASH, AUDIO VIDEO SYSTEM	
NI	0006529	KIT, WIRING, AUDIO VIDEO SYSTEM	
NI	0008585	KIT, RACK, AUDIO VIDEO SYSTEM	
NI	0008586	KIT, MONITOR, MTG, AUDIO VIDEO SYSTEM	2

Q4RE

**AUDIO/VIDEO REI, 6 MONITORS KIT
FEATURE 38105-05**

<u>KEY</u>	<u>PART NO</u>	<u>DESCRIPTION</u>	<u>QTY</u>
NI	0008584	ANTENNA, AUDIO VIDEO SYSTEM	
NI	0006501	MONITOR, 12V, AUDIO VISUAL SYSTEM	6
NI	0006503	BRACKET, SLIDE, SLIDE AUDIO VIDEO SYSTEM	6
NI	0006527	KIT, DASH, AUDIO VIDEO SYSTEM	
NI	0006529	KIT, WIRING, AUDIO VIDEO SYSTEM	
NI	0008585	KIT, RACK, AUDIO VIDEO SYSTEM	
NI	0008586	KIT, MONITOR, MTG, AUDIO VIDEO SYSTEM	3

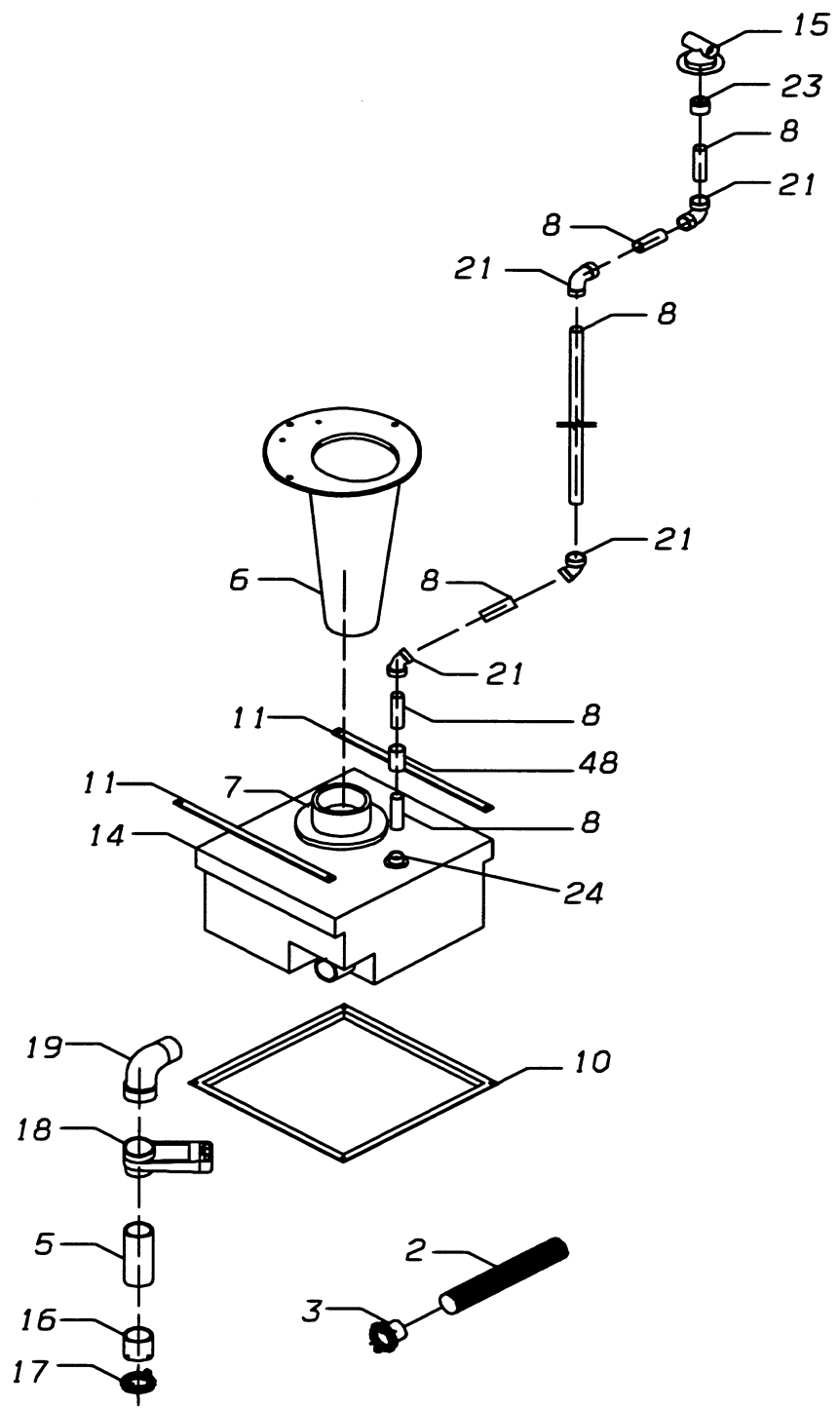
Q4RE

**RESTROOM, DROP STYLE W/ HOLDING TANK
FEATURE 38107-01
(ENDING W/ BSN 20000792)**

<u>KEY</u>	<u>PART NO</u>	<u>DESCRIPTION</u>	<u>QTY</u>
	1956366	KIT CONSISTS OF THE FOLLOWING PARTS:	
NI	1879030	TOILET ASSY., DROP STYLE	
NI	4629283	SPLASH GUARD, REAR WALL	
NI	4629291	SPLASH GUARD, RH, WALL	
NI	4629309	SPLASH GUARD, LH, WALL	
NI	4615688	VENT FAN, W/LIGHT, KOOL-O-MATIC	
NI	4625315	WALL ASSY., BATHROOM	
NI	4629317	DOOR ASSY., BATHROOM	
NI	2198687	VALVE, DUMP, HOLDING TANK	
NI	2198703	CAP & CHAIN, ABS, DUMP VALVE	
NI	2198711	ADAPTER, BAYONET, DUMP VALVE	
NI	2199453	PIPE, ABS, 3 IN. x 20 FT., PIONEER	5
NI	1841923	DISPENSER, TOWELETTE, WALL MOUNT	
NI	3977303	HOLDER, TOILET TISSUE, NUTONE	
NI	4644217	BATHROOM, DROP-STYLE	
NI	2221588	VENT, CHECK	
NI	6070213	TANK, HOLDING, BLACK 32 GAL.	
NI	3749777	VENT, ROOF, VAC-U-JET	

Q4RE

Notes



DR.	1/22/99	BY	JL
APP.	1/22/99	BY	AB
		FRT	
			1956366
			H
			REV



**RESTROOM, DROP STYLE W/HOLDING TANK
FEATURE 38107-01
(BEGINNING W/ BSN 2000793)**

<u>KEY</u>	<u>PART NO</u>	<u>DESCRIPTION</u>	<u>QTY</u>
NI	4659322	KIT, LIGHT, OCCUPIED AND SWITCH	
NI	4647087	INDICATOR, TOILETTE	
NI	0006505	SWITCH, ON/ON, HONEYWELL, TOILETTE INDICATOR	
2	6083687	HOSE, SEWER, DRAIN 20FT	
3	2198695	ADAPTER, BAYONET STRAIGHT HOSE, 3"	
NI	6099121	CARRIER ASSY, SEWER HOSE	
5	2199453	PIPE, ABS 3" X 20 FT	2
6	4660882	TOILET ASSY, NON-FLUSHING, MONOGRAM	
7	4661393	FLANGE, MOUNTING, 6"	
8	2017333	PIPE, ABS, 1 1/2" X 20	10 FT
NI	2056588	ROD, THREADED, 3/8-16 X 36"	2
10	6049837	FRAME, ASSY, MTG, HOLD TANK, WASTE	
11	6088512	BAR, TIE DOWN, HLDG TANK	2
NI	0005817	SCREW, SOCKET, HD, FLAT, SS 1/4-20X1	
NI	1841923	DISPENSER, TOWELLETE, WALL MOUNT	
14	6070213	TANK, HOLDING, BLACK, 32 GALLON	
15	3749777	VENT, VAC - U - JET	
16	2198711	ADAPTER, BAYONET, DUMP VALVE, 3"	
17	2198703	CAP & CHAIN, DUMP VALVE	
18	2198687	VALVE, DUMP	
19	3751187	ELBOW, STREET, ABS, 3" X 90 DEG	
NI	0004839	CLOSER DOOR SIDE JAMB MOUNTING	
21	2250793	ELBOW, ABS, 1 1/2" X 90 DEG. LONG TURN	4
NI	2260677	NUT, HEX, 3/8-16	20
23	2273449	COUPLING, ABS, 1.5"	
24	3894250	FITTING, FLEX 1 1/2 INCH	
NI	2203453	CLAMP, WATER HOSE, 2"	
NI	0839027	NUT, HEX, 3/8-16	4
NI	0882795	LOCKWASHER, SPLIT RING 3/8	8
NI	1107937	CLAMP, LOOP 2.00	3
NI	1078922	WASHER, FLAT	12
NI	4655528	CABIN, LAVATORY	
NI	4661385	SEAT, TOILET, MICROPHOR, WHITE	
NI	3977303	HOLDER, TOILET, TISSUE, NUTONE	
NI	4660890	HOSE, 3/0 KYSOR	10FT
NI	4646907	BLOWER, BILGE 3" DIA	
NI	4646915	LIGHT, FLOURSCENT	
NI	4646923	BAR GRAB SATIN	
NI	4655445	EXTRUSION, FRAME, DOOR RESTROOM DOOR	
NI	4660932	HANDLE, LH 3/4 DOOR	
NI	4660940	DEADBOLT, LH 3/4 DOOR GRAY	
NI	3851383	HINGE, PIANO, CONT, NICKEL PLATED	
NI	4660908	DRAIN, 1 1/4", W/ STOPPER	
NI	0001184	DUCT, WINDSHIELD, DEFROSTING	
NI	3768512	PLYWOOD, .75 X 48 X 96, BIRCH W/FIR CORE	
NI	4232054	FORMICA	
NI	4660924	STACK, PLUMBING	

**RESTROOM, DROP STYLE W/HOLDING TANK
FEATURE 38107-01
(BEGINNING W/ BSN 2000793)**

<u>KEY</u>	<u>PART NO</u>	<u>DESCRIPTION</u>	<u>QTY</u>
NI	3885035	LOUVRE, ADJUSTABLE, ROUND	
NI	4661286	LIGHT, AISLE, FLOOR MTD, CHROME	
NI	4661302	COUPLING, FLEXIBLE PIPE	
NI	4661336	LOCK, MORTISE, LH 3/4 DOOR	
NI	0001185	DEFLECTOR, AIR	
NI	0000929	SEAL, RUBBER, BUNA-N	
NI	0000930	MAT, VINYL, PEBBLE SURFACE	
NI	0001540	DUCT, A/C, EXTENSION, BEHIND RESTROOM	
NI	0001251	SEAL, DOOR ASSY, RESTROOM	
NI	2193704	EXTRUSION, ALUM, ANGLE	2
NI	0004839	CLOSER, DOOR SIDE - JAMB MOUNT	
NI	0006156	PLATE, SKID DOOR CLOSER	
NI	0005742	PLATE, DECK SHROME	
NI	6069348	SCREW, SM PH OVAL	3
NI	0006297	BRACKET, MTG SWITCH, FAN RESTROOM	
NI	6042436	SWITCH, DIMMER 12V	
NI	2273928	KNOB, LOWER, DASH RHEOSTAT	
NI	6027486	HINGE, PIANO, NICKEL PLATED	

Q4RE

**RESTROOM, AIR FLUSH W/SINK
FEATURE 38107-02
(ENDING W/BSN 20000792)**

<u>KEY</u>	<u>PART NO</u>	<u>DESCRIPTION</u>	<u>QTY</u>
	1956374	KIT CONSISTS OF THE FOLLOWING PARTS:	
NI	6080667	REGULATOR, CITY WATER FILL	
NI	6021471	HOSE, WATER PUMP, 3/4 IN.	18 FT
NI	6073498	FILTER, WATER, EAGLE SPRINGS	
NI	6083232	VALVE, SOLENOID, CUTOFF	
NI	6067136	ELBOW, PVC, SCH 40,90 DEG, 3/4	2
NI	6067128	TEE, PVC, SCH 40, 3/4 SLIP X 3/4	2
NI	6074157	KIT, PORT, WATER PUMP	2
NI	6074512	NIPPLE, CLOSE, 3/4 IN., PVC	5
NI	3747862	CLAMP, HOSE, 5/8 IN.	18
NI	6080659	PUMP, F/W, SHURFLO	
NI	6049621	ELBOW, REDUCING, 3/4 INS X 1/2	
NI	6080683	STRAINER, IN-LINE, SHURFLO	
NI	6067144	ELBOW, PVC, SCH 40,90 DEG, 3/4	3
NI	6049639	ADAPTER, 3/4 MIP X 3/4 INS, GEN	6
NI	6074173	VALVE, BALL, PVC, 3/4 SLIP, NIBCO	
NI	6067177	ADAPTER, PVC, SCH 40, STRT, 3/4	2
NI	6049282	PIPE, PVC, 3/4, 10 FT LONG, SCHED	7 FT
NI	6083083	ELBOW, 90 DEGREE, SHURFLO	2
NI	6067110	TEE, PVC, 3/4 SLIP X 3/4 SLIP	
NI	6085112	TEE, PVC, 3/4 FIPT X 3/4 FIPT	
NI	6065163	ACCUMULATOR, PRESSURE	
NI	6088975	ELBOW, COMBINATION	2
NI	2250793	ELBOW, ABS, 1.5" X 90 DEG, LONG	7
NI	2017333	PIPE, ABS, 1 1/2 IN. X 20 FT.	20 FT
NI	2193852	TRAP, P, ABS, W/DOUBLE SEAL UNION	3
NI	0417618	TEE, SANITARY, ABS, 1.5 IN.	2
NI	2273449	COUPLING, ABS, 1.5 IN.	2
NI	2221554	ADAPTER, CLEANOUT, ABS, 1.5 IN.	2
NI	2221588	VENT, CHECK, NO 140	2
NI	3741949	ADAPTER, TRAP, FEMALE, W/WASH	
NI	2017218	FLANGE, CLOSET, 3 FPT	
NI	2200608	NIPPLE, 3 IN. x 10 IN. ABS, TOE	
NI	2260339	CLAMP, ADJUSTABLE WORM DR, GEAR	
NI	2017499	ELBOW, ABS, 1.5" X 45 DEG	3
NI	2203453	CLAMP, WATER HOSE, 2IN.	2
NI	2250785	ELBOW, ABS, 1.5" X 90 DEG, VENT	2
NI	3818598	VENT, ROOF, VAC	
NI	6039119	WYE, ABS, 1 1/2	

Q4RE

**RESTROOM, AIR FLUSH W/SINK
FEATURE 38107-02
(ENDING W/BSN 20000792)**

<u>KEY</u>	<u>PART NO</u>	<u>DESCRIPTION</u>	<u>QTY</u>
NI	4525762	TOILET, MICROPHOR, AIR, MODEL	
NI	4476909	SEAT, TOILET, MICROPHOR, BONE	
NI	3977303	HOLDER, TOILET TISSUE, NUTONE	
NI	4625315	WALL ASSY., BATHROOM	
NI	1841923	DISPENSER, TOWELETTE, WALL MOUNT	
NI	4630000	VANITY, RESTROOM	
NI	3954005	FAUCET, LAVATORY, DELTA 522	
NI	4630018	VANITY, TOP, RESTROOM	
NI	4014718	SINK, STAINLESS STEEL, STERLING	
NI	4630026	STRAINER, 1-3/8" STAINLESS	
NI	4629317	DOOR ASSY., BATHROOM	
NI	1956366	KIT ASSY., RESTROOM, DROP STYLE	
NI	4644233	BATHROOM, FLUSHING	
NI	6080931	CLAMP, CONSTANT TENSION	
NI	4644662	SINK, F- GLASS, SELF CONTAINED	
NI	2198687	VALVE, DUMP, HOLDING TANK	
NI	2198703	CAP & CHAIN, ABS, DUMP VALVE	
NI	4646907	FAN, BATHROOM	

Q4RE

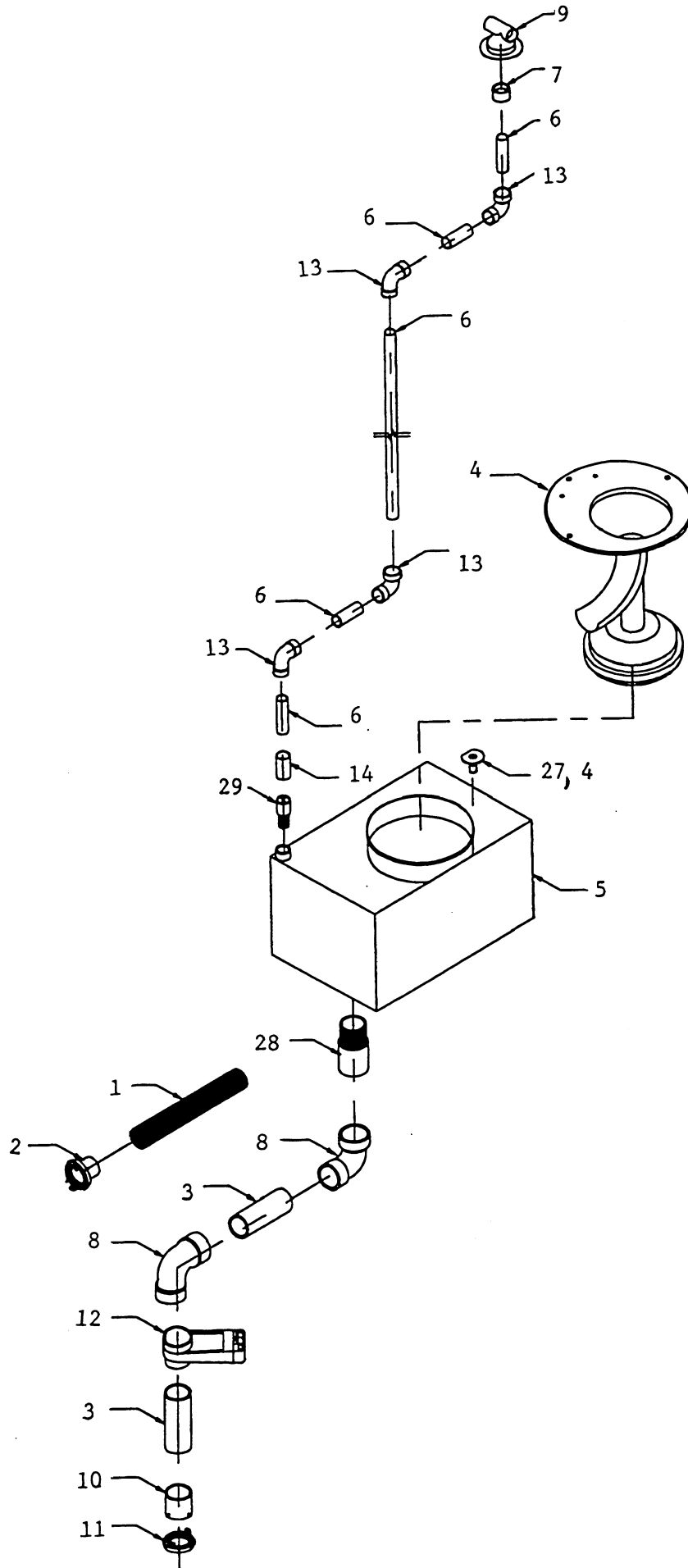
Notes



BLUE BIRD

DR	BY J.E.	FRT	REV
APP.	BY	1956374	F

© 1991 BLUE BIRD BODY COMPANY. ALL RIGHTS RESERVED.



**RESTROOM, AIR FLUSH W/ SINK
FEATURE 38107-02
(BEGINNING W/ BSN 2000793)**

<u>KEY</u>	<u>PART NO</u>	<u>DESCRIPTION</u>	<u>QTY</u>
NI	4659322	KIT LIGHT, OCCUPIED AND SWITCH	
	4647087	INDICATOR, TOILETTE	
	0006505	SWITCH, ON/ON, HONEYWELL, TOILETTE INDICATOR	
1	6083687	HOSE, SEWER DRAIN 20FT	
2	2198695	ADAPTER, BAYONET, STRAIGHT HOSE, 3"	
3	2199453	PIPE, ABS, 3" X 30 FT.	2
4	4646931	TOILET ASSEMBLY FLUSHING MONOGRAM	
5	0000858	TANK, HOLDING, STAINLESS, 33 GALLON	
6	2017333	PIPE, ABS 1 1/2" X 20 FT	10FT.
NI	2273449	COUPLING, ABS, 1.5"	
8	3792124	ELBOW, ABS, 3" X 90 DEG	2
9	3749777	VENT, VAC-U-JET	
NI	2198711	ADAPTER, BAYONET, DUMP VALVE, 3"	
NI	2198703	CAP & CHAIN, DUMP VALVE	
NI	2198687	VALVE, DUMP	
NI	2250793	ELBOW, ABS, 1 1/2" X 90 DEG. LONG TURN	4
14	4661302	COUPLING, FLEXIBLE PIPE, FERNCO 1-1/2FPT	
15	3827227	CONNECTOR, MALE	7
16	2216463	TUBING HYTRON	12FT
17	3750411	VALVE, SOLENOID, HORN 12V	
18	2027159	BUSHING, PIPE	
19	2265106	COUPLING, BULKHEAD	2
20	0001221	REGULATOR, AIR PRESSURE 0-25 PSI	
21	2027183	NIPPLE, 1/4 CLOSE, BRASS	
22	3804820	CONNECTOR, MALE, BARB BRASS	
23	2224483	ELBOW, 1/2 FPT X 1/2 FPT	
24	2255933	HOSE 1/2"	20
25	0000961	FITTING, PVC, MALE ADAPTER, 1/2 FPT X 1 BARB	2
26	6046833	ELBOW, 1/2 MPT - 1/2 HOSE, BARB	2
27	6100291	CLEANER, HOLDING TANK, NO FUSS FLUSH	
28	6099493	ADAPTER, ABS. 3" HUB X 3" MPT	
29	6037295	ADAPTER, ABS, 1.5" HUB X 1.5" MPT	
30	3827367	ELBOW, MALE	
NI	6099121	CARRIER ASSY, SEWER HOSE	
NI	2203453	CLAMP, WATER HOSE, 2 INCH	2
NI	1841923	DISPENSER, TOWELLETTE, WALL MOUNT	
NI	1107937	CLAMP, LOOP 2.00	3
NI	4655528	CABIN, LAVATORY	
NI	4661385	SEAT, TOILET, MICROPHOR, WHITE, ROUND OPEN FRONT	
NI	3977303	HOLDER, TOILET, TISSUE, NUTONE	
NI	4660890	HOSE	
NI	4646907	BLOWER BILGE, 3"	
NI	4646915	LIGHT, FLOURSCENT, RD 9 1/2"	
NI	4646923	BAR GRAB, SATIN	
NI	4655445	EXTRUSION, FRAME DOOR, RESTROOM DOOR	2
NI	4660932	HANDLE, LH 3/4 DOOR, GRAY	
NI	4660940	DEADBOLT LH 3/4 DOOR GRAY	

Q4RE

**RESTROOM, AIR FLUSH W/ SINK
FEATURE 38107-02
(BEGINNING W/ BSN 2000793)**

<u>KEY</u>	<u>PART NO</u>	<u>DESCRIPTION</u>	<u>QTY</u>
NI	3851383	HINGE, PIANO, CONT. NICKEL PLATED	
NI	4660908	DRAIN, 1 1/4" W/ STOPPER, STAG	
NI	0001084	DUCT, WINDSHIELD, DEFROSTING	
NI	3768512	PLYWOOD, 75 X 48 X 95 BIRCH W/ FIR CORE	
NI	4232054	FORMICA	
NI	4660924	STACK, PLUMBING 5" DIA	
NI	3885035	LOUVRE, ADJUSTABLE, ROUND	
NI	4661286	LIGHT, AISLE, FLOOR MTD, CHROME	
NI	4661336	LOCK, MORTISE, LH 3/4 DOOR	
NI	0001185	DEFLECTOR, AIR	
NI	0005817	SCREW, SOCKET HD, FLAT, SS	
NI	0000859	SWITCH, PUSH BUTTON, MOMENTARY, WHITE	
NI	0000726	LAMP, INCON	
NI	3750411	VALVE, SOLENOID, HORN 12V	
NI	0001223	SWITCH, PUSH BUTTON, EXTERIOR USE, RECIRC. TOILET	
NI	6097729	FITTING, SPIN-WELD SENSOR, CP#350	2
NI	0001224	LIGHT, INDICATOR, EXTERIORUSE RECIRC. TOILET	
NI	0557710	CLAMP, CLOSED TYPE, INSL, 13/16	2
NI	2027571	CLAMP HOSE, 6203	4
NI	0000970	BRACKET, MTG, FLUSH FILL & IND. LGT, RECIR. TOILET	
NI	0000975	DECAL, PUMP, TOILET, RECIRC., MIN. FLUID LEVEL	
NI	0000930	MAT, VINYL, PEBBLED SURFACE	
NI	0001540	DUCT, A/C. EXTENSION, BEHIND RESTROOM	
NI	0001251	SEAL, DOOR ASSY, RESTROOM	16 FT
NI	2193704	EXTRUSION, ALUM ANGLE	2
NI	2232973	FITTING, PLUG 1/2" MPT	2
NI	0004839	CLOSER, DOOR, SIDE JAMB	
NI	0005742	PLATE, DECK, CHROME	
NI	0006156	PLATE, SKD DOOR CLOSER	
NI	0006297	BRACKET, MTG, SWITCH, FAN, RESTROOM	
NI	6042436	SWITCH, DIMMER, 12V	
NI	2273928	KNOB, LOWER DASH RHEOSTAT	
NI	6027486	HINGE, PIANO, NICKEL PLATED	

Q4RE

**PARCEL RACK W/ INTEGRATED HVAC LIGHTS W/ RESTROOM
FEATURE 38108-01
(ENDING W/BSN F20000746)**

<u>KEY</u>	<u>PART NO</u>	<u>DESCRIPTION</u>	<u>QTY</u>
NI	4615654	PARCEL RACK ASSY.	
NI	4615670	PARCEL RACK ASSY.	
NI	4615449	A-68322-12 LH BOARD 2, LGT (INCLUDES LIGHT AND VENTS)	9
NI	4615456	A-68332-12 RH BOARD, 2 LGT (INCLUDES LIGHT AND VENTS)	8
NI	0009337	BULB	
	0009336	LIGHT HOUSING	
	0009338	VENT	
NI	4615423	A-67353-12 RH BOARD, 2 AIR/ 2 VENT (INCLUDES LIGHT,SPEAKER AND VENTS)	3
NI	4615431	A-67363-12 LH BOARD 2 AIR/ 2 VENT (INCLUDES LIGHT,SPEAKER AND VENTS)	4
	0009337	BULB	
	0009336	LIGHT HOUSING	
	0009338	VENT	
	0009339	SPEAKER	
	0009341	GRILL, SPEAKER	
NI	4629432	UPPER A/C DUCT SYSTEM,	
NI	4650628	DUCT, A/C PARCEL RACK	14
NI	4629440	PARCEL RACK SYSTEM	
NI	1233964	TRIM, VINYL, GRILLE BAR, FILLER	80'
NI	4650396	BALLAST, 400 WATTS	2
NI	4646485	SUPPORT, CORD, PARCEL	12
NI	4648275	BRACKET,MOUNTING,PARCEL RACK	4
NI	4652731	COVER, SUPPORT, PARCEL RACK	13

Q4RE

**PARCEL RACK W/ INTEGRATED HVAC LIGHTS W/ RESTROOM W/DOORS
FEATURE 38108-02**

<u>KEY</u>	<u>PART NO</u>	<u>DESCRIPTION</u>	<u>QTY</u>
NI		PARCEL RACK ASSY.	
	4653168	(ENDING W/ BSN F20003469)	
	0001250	(BEGINNING W/ BSN F20003470)	
NI	0009172	DIFFUSER	34
NI	0009173	BULB,FLOURESCENT	17
NI	0009174	INVERTORS	17
NI	0009176	SPEAKER	7
NI	0009177	PISTON	34
NI	0009178	LOCK W/KEY	2
NI	0004403	GUIDE, PARCEL RACK, ALIGNMENT,	4
NI	0005500	DIVERTER, PARCEL RACK,	2
NI	0005945	HANDLE, PARCEL RACK, PFKING GRAY	18

Q4RE

**PARCEL RACK W/ INTEGRATED HVAC LIGHTS WO/ RESTROOM W/DOORS
FEATURE 38115-03 W/ 38108-02**

<u>KEY</u>	<u>PART NO</u>	<u>DESCRIPTION</u>	<u>QTY</u>
NI	4646873	PARCEL RACK ASSY. 43"	
NI	0001250	PARCEL RACK ASSY.	
NI	0009172	DIFFUSER	34
NI	0009173	BULB,FLOURESCENT	17
NI	0009174	INVERTORS	17
NI	0009176	SPEAKER	7
NI	0009177	PISTON	34
NI	0009178	LOCK W/KEY	2
NI	0004403	GUIDE, PARCEL RACK, ALIGNMENT,	4
NI	0005500	DIVERTER, PARCEL RACK,	2
NI	0005945	HANDLE, PARCEL RACK, PFKING GRAY	18

Q4RE

**TOUR GUIDE KIT,
FEATURE 38109-02**

<u>KEY</u>	<u>PART NO</u>	<u>DESCRIPTION</u>	<u>QTY</u>
1		SEAT, HOSTESS	
	4645511	(ENDING W/ BSN 20008489)	
	0005832	(BEGINNING W/ BSN 20008490)	
NI	4648291	BRACKET, MTG., SEAT, HOSTESS, BOTTOM	
2	4653051	BRACKET, MTG, MODESTY PANEL	2
3	6046197	SEAT BELT SET, LH	
NI	6092159	CONNECTOR, Y CABLE	
NI	6091797	MICROPHONE, CB-103	
NI	6091805	MICROPHONE CLIP	
NI	6091789	MICROPHONE, EXTENSION, 24 FT. CABLE	
NI	0004741	PLATE, BACKING, MIC CABLE	
9		CAB, HOSTESS SEAT	
	4652988	(ENDING W/ BSN 20000792)	
	4681591	(BEGINNING W/ BSN 20000793)	
10		CUP HOLDER	
	4520581	CHROME	
	4655262	BLACK	
NI	6051312	LIGHT, HELLA, HALOGEN, MAP LIGHT	
NI	4615621	MODESTY PANEL, EL LAMP	
NI	4629994	FOOTREST RETRACTABLE, HOSTESS	
NI	6046197	SEAT BELT SET, LH, PILTO SI.	
NI	6092159	CONNECTOR, Y CABLE	
NI	6091797	MICROPHONE CB-103	
NI	6091805	MICROPHONE, CLIP	

Q4RE

**DRIVER'S SUNVISOR KIT
FEATURE 38111-01**

<u>KEY</u>	<u>PART NO</u>	<u>DESCRIPTION</u>	<u>QTY</u>
		<u>ENDING W/ BSN 20000792</u>	
NI	4653069	SUN VISOR	
		<u>BEGINNING W/ BSN 20000793</u>	
NI	4660957	SUN VISOR	
	0009230	KNOB, BLACK, LEAD RAIL	
	0009231	KNOB, END CAPS, LEAD RAIL	

Q4RE

**INTERIOR DECOR
FEATURE 38113-01**

<u>KEY</u>	<u>PART NO</u>	<u>DESCRIPTION</u>	<u>QTY</u>
NI		FLOOR COVERING, SMOOTH	
	4652830	SMOOTH, RCA 766 MED GRAY 36" WIDE	30
	4652822	SMOOTH, RCA 766 MED GRAY 40" WIDE	15
NI	4614038	CARPET, CUMBERLAND, DELEGATE	45
NI	4232054	FORMICA, 961 FOG, MATTE	
NI	9016036	T.O., MARKER, 51.75 AISLE, YELLOW	
NI	1776699	FIRST AID KIT	
NI		WARNING KIT, TRIANGULAR	
	1748326	(ENDING W/ BSN 20000792)	
	1074111	(BEGINNING W/ BSN 20000793)	
NI	1748318	BRACKET, TRIANGLE WARNING	
NI	0845040	EXTINGUISHER, FIRE, DRY CHEM	
	4629465	KIT, SAFETY EQUIPMENT	
NI	9012420	T.O., MARKER, 30.10 AISLE, YELLOW	
NI	4658811	MARKER, 30.10 AISLE YELLOW, 4" X 125 THICK (BEGINNING W/ BSN 20000793)	
NI	4646311	EXTRUSION, CENTER, IS/S PANEL	2
NI	4646329	EXTRUSION, LOWER, IS/S PANEL	10
NI	1562115	MOLDING, COVE, FLOOR COVERING	10
NI	4566667	ULTRALEATHER, 5666 DOVE GRAY	3
NI	0005806	VINYL, NAUTOLEX, STORM GRAY	
NI	4613972	FABRIC, KING'S PLUCH 8532-192	
NI	4661047	FABRIC, BELTEX, BALTIC, #044 (BEGINNING W/ BSN E20001730)	
NI	4661039	FABRIC, BELTEX, BALTIC, #112 (BEGINNING W/ BSN E20001730)	

Q4RE

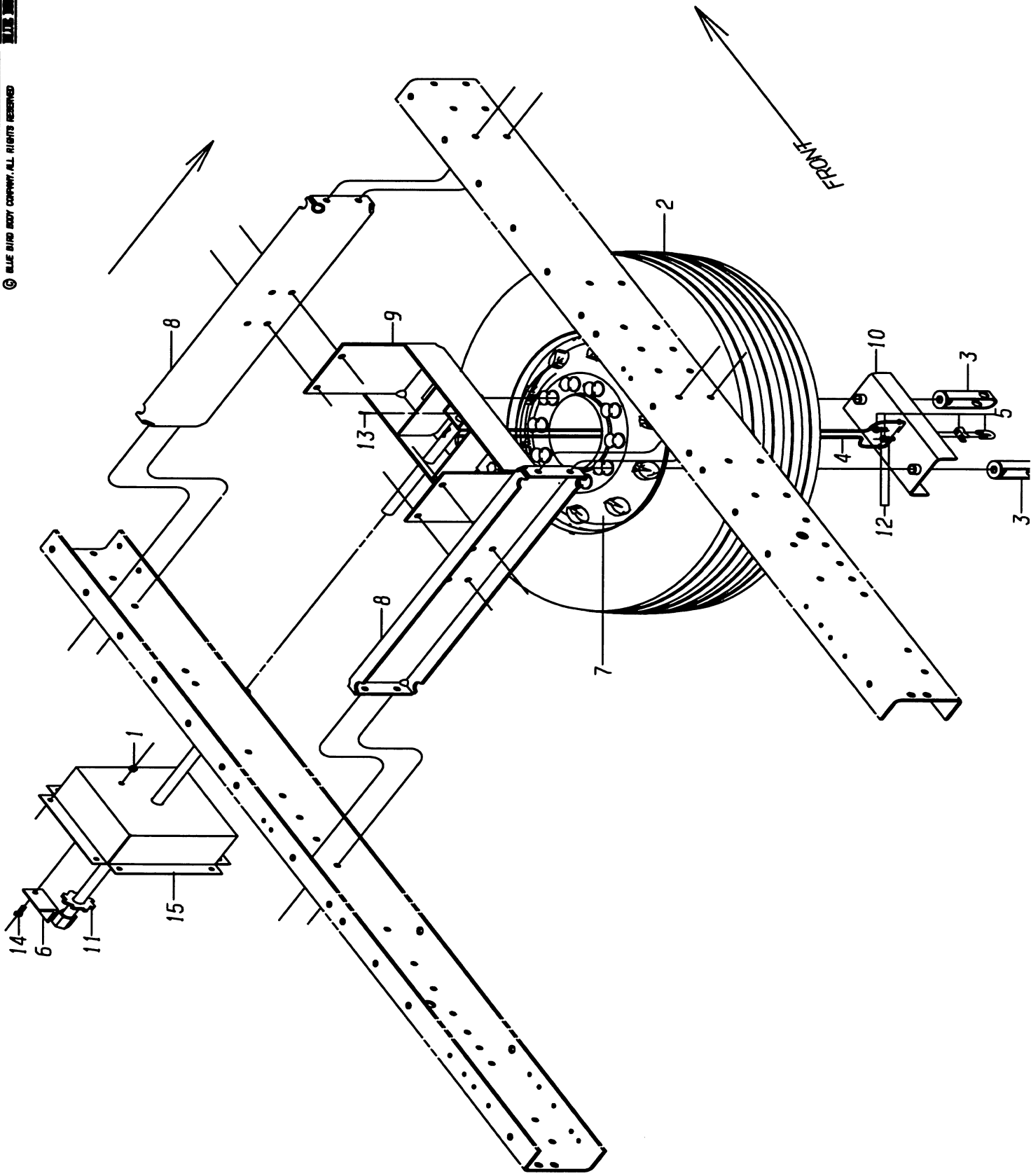
Notes



1118 1110

DR. 1/8/98 BY NJ	1995133	A
APP. 1/8/98 BY AB	FRT	REV

© BLUE BIRD BODY COMPANY. ALL RIGHTS RESERVED



**SPARE TIRE CARRIER
FEATURE 40291-03, 40291-04**

<u>KEY</u>	<u>PART NO</u>	<u>DESCRIPTION</u>	<u>QTY</u>
<u>FEATURE 40291-03</u>			
1	0543934	NUT, HEX HD, 3/8-16, ZINC, LG FLG LK	
2	0900035	TIRE, 11R22.5 LRH MICH XZE	
3	0935908	STRAP, ASSY, LOCKING, SIDE FRAME TIRE CARRIER	2
4	0935924	CABLE, SIDE FRAME TIRE CARRIER, 84 IN	
5	0935932	CLAMP, WIRE ROPE CABLE, 5/16 IN	
6	0935940	ANGLE, RATCHET PAWL, SIDE FRAME TIRE CARRIER	
7	1282888	WHEEL, 22.5 X 8.25 27833N-BLACK	
8	1986637	CROSSMEMBER, MTG, TIRE, SPARE	2
9	1986678	BRACKET ASSY, TIRE, SPARE	
10	1986694	CHANNEL ASSY, MTG, TIRE, SPARE	
11	1986710	CRANK ASSY, TIRE SPARE	
12	2001188	LOCKWASHER, SPLIT RING, 5/16, MED	2
13	2008878	PIN, COTTER, DRIVERS SEAT, 1/8X1 1/2	
14	2028363	BOLT, HEX 3/8-16 X1 1/4, GR5, PHOS & OIL	
15	1986728	CLOSEOUT, TIRE, SPARE	
<u>FEATURE 40390-03</u>			
NI	1112531	WRENCH, LUG	
NI	1112549	HANDLE, WRENCH, LUG	
NI	4653150	TRAY, LUG WRENCH	
<u>FEATURE 40291-04</u>			
1	0543934	NUT, HEX HD, 3/8-16, ZINC, LG FLG LK	
2	0900035	TIRE, 11R22.5 LRH MICH XZE	
3	0935908	STRAP, ASSY, LOCKING, SIDE FRAME TIRE CARRIER	2
4	0935924	CABLE, SIDE FRAME TIRE CARRIER, 84 IN	
5	0935932	CLAMP, WIRE ROPE CABLE, 5/16 IN	
6	0935940	ANGLE, RATCHET PAWL, SIDE FRAME TIRE CARRIER	
7	1499169	WHEEL, ALUM, 22.5 X 8.25, POLISHED 28615-5	
8	1986637	CROSSMEMBER, MTG, TIRE, SPARE	2
9	1986678	BRACKET ASSY, TIRE, SPARE	
10	1986694	CHANNEL ASSY, MTG, TIRE, SPARE	
11	1986710	CRANK ASSY, TIRE SPARE	
12	2001188	LOCKWASHER, SPLIT RING, 5/16, MED	2
13	2008878	PIN, COTTER, DRIVERS SEAT, 1/8X1 1/2	
14	2028363	BOLT, HEX 3/8-16 X1 1/4, GR5, PHOS & OIL	
15	1986728	CLOSEOUT, TIRE, SPARE	
<u>FEATURE 40390-03</u>			
NI	1112531	WRENCH, LUG	
NI	1112549	HANDLE, WRENCH, LUG	
NI	4653150	TRAY, LUG WRENCH	

Q4RE

**SPARE TIRE CARRIER
FEATURE 40291-05, 40291-06**

<u>KEY</u>	<u>PART NO</u>	<u>DESCRIPTION</u>	<u>QTY</u>
<u>FEATURE 40291-05</u>			
1	0543934	NUT, HEX HD, 3/8-16, ZINC, LG FLG LK	
2	1137017	TIRE, 11R22.5 LRH MICH XZA	
3	0935908	STRAP, ASSY., LOCKING, SIDE FRAME TIRE CARRIER	2
4	0935924	CABLE, SIDE FRAME TIRE CARRIER, 84 IN	
5	0935932	CLAMP, WIRE ROPE CABLE, 5/16 IN	
6	0935940	ANGLE, RATCHET PAWL, SIDE FRAME TIRE CARRIER	
7	1282888	WHEEL, 22.5 X 8.25 27833N-BLACK	
8	1986637	CROSSMEMBER, MTG, TIRE, SPARE	2
9	1986678	BRACKET ASSY., TIRE, SPARE	
10	1986694	CHANNEL ASSY., MTG, TIRE, SPARE	
11	1986710	CRANK ASSY, TIRE SPARE	
12	2001188	LOCKWASHER, SPLIT RING, 5/16, MED	2
13	2008878	PIN, COTTER, DRIVERS SEAT, 1/8X1 1/2	
14	2028363	BOLT, HEX 3/8-16 X1 1/4, GR5, PHOS & OIL	
15	1986728	CLOSEOUT, TIRE, SPARE	
<u>FEATURE 40390-03</u>			
NI	1112531	WRENCH, LUG	
NI	1112549	HANDLE, WRENCH, LUG	
NI	4653150	TRAY, LUG WRENCH	
<u>FEATURE 40291-06</u>			
1	0543934	NUT, HEX HD, 3/8-16, ZINC, LG FLG LK	
2	1137017	TIRE, 12R22.5 LRH MICH XZA	
3	0935908	STRAP, ASSY., LOCKING, SIDE FRAME TIRE CARRIER	2
4	0935924	CABLE, SIDE FRAME TIRE CARRIER, 84 IN	
5	0935932	CLAMP, WIRE ROPE CABLE, 5/16 IN	
6	0935940	ANGLE, RATCHET PAWL, SIDE FRAME TIRE CARRIER	
7	1499169	WHEEL, ALUM, 22.5 X 8.25 POLISHED 28615-5	
8	1986637	CROSSMEMBER, MTG, TIRE, SPARE	2
9	1986678	BRACKET ASSY., TIRE, SPARE	
10	1986694	CHANNEL ASSY., MTG, TIRE, SPARE	
11	1986710	CRANK ASSY., TIRE SPARE	
12	2001188	LOCKWASHER, SPLIT RING, 5/16, MED	2
13	2008878	PIN, COTTER, DRIVERS SEAT, 1/8X1 1/2	
14	2028363	BOLT, HEX 3/8-16 X1 1/4, GR5, PHOS & OIL	
15	1986728	CLOSEOUT, TIRE, SPARE	
<u>FEATURE 40390-03</u>			
NI	1112531	WRENCH, LUG	
NI	1112549	HANDLE, WRENCH, LUG	
NI	4653150	TRAY, LUG WRENCH	

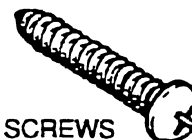
Q4RE

Notes



OVAL HEAD SCREWS

PART NO.	SIZE
0527309	6 x 1/2
2000479	6 x 1
0527317	8 x 5/8
2000495	8 x 1
2000529	10 x 1/2
0527333	10 x 3/4
2000594	10 x 1-1/2
2000669	14 x 3/4

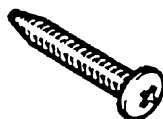


ROUND HEAD SCREWS

PART NO.	SIZE
2000701	14 X 1--1/2
2000511	SCREW TRUSS 10 X 1/2
2000644	SCREW TRUSS 14 X 3/4
0527341	SLOTTED, TRUSS 10 X 1/2

MACHINE SCREWS C/S

PART NO.	SIZE.
2000842	1/4-20-3/4
0402438	1/4-20 X 1 1/2
0422436	10-24 X 2
0935551	c/s SLT 5/16-18 X 3



PAN HEAD SCREWS

PART NO.	SIZE
2000446	6 X 3/8
0527267	6 X 1/2
0527275	10 X 3/8
0527291	10 X 3/4
2000586	10 X 1-1/4
2000610	10 X 2-1/2
2000636	14 X 1/2
0527283	14 X 3/4
2000685	14 X 1



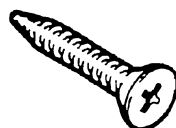
ROUND HEAD MACHINE SCREWS

PART NO.	SIZE
2000743	8-32 X 3/4
2000750	10-24 X 1/2
2000776	10-32 X 3/4
0813477	1/4-20 X 1/2
2000792	1/4-20 x 3/4
0563916	8-32 X 1/2
0522276	1/4-28 X 5/8
0530436	1/4-20 X 3/4
2000867	1/4-20 X 1 3/4
2000875	1/4-20 X 2 1/2



HEADLAMP DOOR SCREWS

PART NO.	SIZE
2004521	8 X 5/8



FLAT HEAD SCREWS

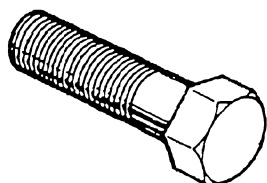
PART NO.	SIZE
0527358	14 X 1-1/4



TRUSS HEAD MACHINE SCREWS

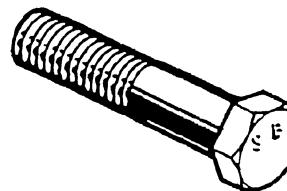
PART NO.	SIZE
2000784	1/4-20 X 1/2
2000826	1/4-20 X 3/4
0420786	1/4-20 X 1

UNIT OF MEASURE IS EACH, UNLESS OTHERWISE SPECIFIED.



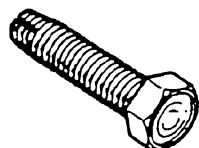
HEX HEAD BOLTS

PART NO.	SIZE
0962753	1/4-28 x 1
0870477	1/4-20 x 1
2000081	1/4-20 x 1-1/2, GRADE 8
2000131	5/16-24 x 3/4
0854406	5/16-18 x 1, GRADE 8
2000248	5/16-24 x 2
0522342	7/16-20 x 1-1/2
0803239	1/2-13 x 1-1/2, GRADE 8
2008654	1/2-20 x 2
0864025	1/2-13 x 3-1/2, GRADE 8
1107895	5/8-11 x 2, GRADE 8
0963322	3/4-10 x 3-1/2, GRADE 8



HEX HEAD CAPSCREWS

PART NO.	SIZE
0807958	1/4-20 X 1/2, GRADE 8
0666727	1/4-28 X 5/8, SPECIAL
2000107	1/4 - 20 x 3-1/2
0854406	5/16 - 18 x 1
2000156	5/16 - 24 x 1
2000206	5/16 - 24 x 1-1/4
0616037	5/16 - 18 x 1-1/2
2000214	5/16 - 24 x 1-1/2
2000255	5/16-24 x 2 1/4
0569483	5/16 - 24 x 4
0770115	5/16 - 18 x 4-1/2
0559195	3/8 - 16 x 1, GRADE 8
0882829	3/8 - 16 x 2
0521385	3/8 - 24 x 2
0870451	3/8 - 16 x 2-1/2, GRADE 8
0520866	1/2 - 13 x 1-1/2
2008621	1/2 - 20 x 2-1/4
2000339	5/8 - 11 x 1-1/2
0939835	5/8 - 11 x 2-1/2, GRADE 8



HEX HEAD CAPSCREWS-THREAD CUTTING

PART NO.	SIZE
2000024	1/4 X 3/4
2000073	1/4 - 20 x 1
2000099	1/4 - 20 x 1-1/2
0550731	1/4 - 20 x 2-1/2
2000123	5/16 - 18 x 1/2
2000198	5/16 - 18 x 1
2000230	5/16 - 18 x 1-1/2





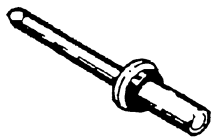


FLAT WASHERS

PART NO.	SIZE
2001055	11/32
2001113	7/16
2001105	1/2
2008662	17/32
0954420	3/4
1134097	1-1/4

UNIT OF MEASURE IS EACH, UNLESS OTHERWISE SPECIFIED.

FASTENERS


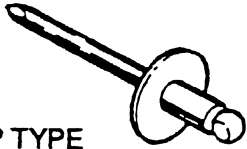
 <p>LOCK WASHERS</p> <table border="1"> <thead> <tr> <th>PART NO.</th> <th>SIZE</th> </tr> </thead> <tbody> <tr><td>2001162</td><td>3/16</td></tr> <tr><td>2001170</td><td>1/4</td></tr> <tr><td>2001188</td><td>5/16</td></tr> <tr><td>2001204</td><td>7/16</td></tr> <tr><td>2001212</td><td>1/2</td></tr> <tr><td>2001220</td><td>5/8</td></tr> <tr><td>2001238</td><td>3/4</td></tr> </tbody> </table>	PART NO.	SIZE	2001162	3/16	2001170	1/4	2001188	5/16	2001204	7/16	2001212	1/2	2001220	5/8	2001238	3/4	 <p>HEX LOCK NUTS</p> <table border="1"> <thead> <tr> <th>PART NO.</th> <th>SIZE</th> </tr> </thead> <tbody> <tr><td>0966051</td><td>1/2 - 20</td></tr> <tr><td>1134105</td><td>7/16 - 20</td></tr> <tr><td>2021111</td><td>5/16 - 18</td></tr> <tr><td>0530485</td><td>5/16 - 24</td></tr> <tr><td>2001345</td><td>1/4 - 20</td></tr> </tbody> </table>	PART NO.	SIZE	0966051	1/2 - 20	1134105	7/16 - 20	2021111	5/16 - 18	0530485	5/16 - 24	2001345	1/4 - 20										
PART NO.	SIZE																																						
2001162	3/16																																						
2001170	1/4																																						
2001188	5/16																																						
2001204	7/16																																						
2001212	1/2																																						
2001220	5/8																																						
2001238	3/4																																						
PART NO.	SIZE																																						
0966051	1/2 - 20																																						
1134105	7/16 - 20																																						
2021111	5/16 - 18																																						
0530485	5/16 - 24																																						
2001345	1/4 - 20																																						
 <p>HEX NUTS</p> <table border="1"> <thead> <tr> <th>PART NO.</th> <th>SIZE</th> </tr> </thead> <tbody> <tr><td>2001279</td><td>10-24</td></tr> <tr><td>2001253</td><td>8 - 32</td></tr> <tr><td>2001287</td><td>10-32</td></tr> <tr><td>2001329</td><td>1/4 - 20</td></tr> <tr><td>2001402</td><td>1/4 - 28</td></tr> <tr><td>2001410</td><td>5/16 - 18</td></tr> <tr><td>2001428</td><td>5/16 - 24</td></tr> <tr><td>2001469</td><td>7/16 - 20</td></tr> <tr><td>2001477</td><td>1/2 - 13</td></tr> <tr><td>2001485</td><td>1/2 - 20</td></tr> <tr><td>2001493</td><td>5/8 - 11</td></tr> <tr><td>2001501</td><td>5/8 - 18</td></tr> <tr><td>2001519</td><td>3/4 - 10</td></tr> </tbody> </table>	PART NO.	SIZE	2001279	10-24	2001253	8 - 32	2001287	10-32	2001329	1/4 - 20	2001402	1/4 - 28	2001410	5/16 - 18	2001428	5/16 - 24	2001469	7/16 - 20	2001477	1/2 - 13	2001485	1/2 - 20	2001493	5/8 - 11	2001501	5/8 - 18	2001519	3/4 - 10	 <p>RIVETS - POP TYPE STEEL, HARD STEM</p> <table border="1"> <thead> <tr> <th>PART NO.</th> <th>DIAMETER</th> </tr> </thead> <tbody> <tr><td>0888222</td><td>1/4"</td></tr> <tr><td>1269083</td><td>3/16"</td></tr> </tbody> </table>  <p>STEEL</p> <table border="1"> <thead> <tr> <th>PART NO.</th> <th>DIAMETER</th> </tr> </thead> <tbody> <tr><td>0809343</td><td>3/16" x 1/2" W/WASHER</td></tr> </tbody> </table>	PART NO.	DIAMETER	0888222	1/4"	1269083	3/16"	PART NO.	DIAMETER	0809343	3/16" x 1/2" W/WASHER
PART NO.	SIZE																																						
2001279	10-24																																						
2001253	8 - 32																																						
2001287	10-32																																						
2001329	1/4 - 20																																						
2001402	1/4 - 28																																						
2001410	5/16 - 18																																						
2001428	5/16 - 24																																						
2001469	7/16 - 20																																						
2001477	1/2 - 13																																						
2001485	1/2 - 20																																						
2001493	5/8 - 11																																						
2001501	5/8 - 18																																						
2001519	3/4 - 10																																						
PART NO.	DIAMETER																																						
0888222	1/4"																																						
1269083	3/16"																																						
PART NO.	DIAMETER																																						
0809343	3/16" x 1/2" W/WASHER																																						

UNIT OF MEASURE IS EACH, UNLESS OTHERWISE SPECIFIED


TOOLS - RIVETS

4300844 REV
ALL RIGHTS RESERVED

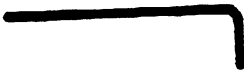




	
<p>ALUMINUM</p> <p>PART NO. DIAMETER</p> <p>0422915 1/8" x 1/8"</p> <p>1211606 1/8" x 1/2"</p> <p>0542019 3/16" x 3/4"</p>	<p>RIVETS - POP TYPE (STEEL)</p> <p>PART NO. DIAMETER</p> <p>1415769 3/16"</p>

UNIT OF MEASURE IS EACH, UNLESS OTHERWISE SPECIFIED.

<p>CAP, CHERRY RIVET 2001667</p>	
--------------------------------------	--

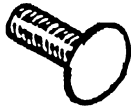
<p>RIVETS - BUCKING TYPE</p> <table border="1"> <thead> <tr> <th>PART NO.</th> <th>SIZE</th> <th>APPROXIMATE QTY. PER POUND</th> </tr> </thead> <tbody> <tr><td>0948505</td><td>3/16" x 1/4"</td><td>238</td></tr> <tr><td>0948513</td><td>3/16" x 5/16"</td><td>226</td></tr> <tr><td>0948521</td><td>3/16" x 3/8"</td><td>198</td></tr> <tr><td>0948539</td><td>3/16" x 7/16"</td><td>176</td></tr> <tr><td>0948547</td><td>3/16" x 1/2"</td><td>150</td></tr> <tr><td>0948554</td><td>3/16" x 5/8"</td><td>140</td></tr> <tr><td>0948471</td><td>1/4" x 3/8"</td><td>92</td></tr> <tr><td>0948489</td><td>1/4" x 1/2"</td><td>85</td></tr> <tr><td>0948497</td><td>1/4" x 5/8"</td><td>68</td></tr> </tbody> </table>	PART NO.	SIZE	APPROXIMATE QTY. PER POUND	0948505	3/16" x 1/4"	238	0948513	3/16" x 5/16"	226	0948521	3/16" x 3/8"	198	0948539	3/16" x 7/16"	176	0948547	3/16" x 1/2"	150	0948554	3/16" x 5/8"	140	0948471	1/4" x 3/8"	92	0948489	1/4" x 1/2"	85	0948497	1/4" x 5/8"	68	<p>TOOLS 2011856 HANDLE, GLASS FILLERSTRIP TOOL</p>
PART NO.	SIZE	APPROXIMATE QTY. PER POUND																													
0948505	3/16" x 1/4"	238																													
0948513	3/16" x 5/16"	226																													
0948521	3/16" x 3/8"	198																													
0948539	3/16" x 7/16"	176																													
0948547	3/16" x 1/2"	150																													
0948554	3/16" x 5/8"	140																													
0948471	1/4" x 3/8"	92																													
0948489	1/4" x 1/2"	85																													
0948497	1/4" x 5/8"	68																													

<p>NOTE: ALL BUCKING TYPE RIVETS SOLD BY THE POUND</p>	
	<p>TOOLS 2104008 ALLEN WRENCH, 1/8" GLASS FILLERSTRIP TOOL</p>

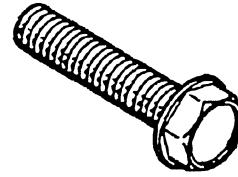
	
<p>TOOLS 2012441 RIV-NUT, 1/4" WRENCH TYPE TOOL</p>	<p>TOOLS 2011849 HOOK, INSTALLATION GLASS TOOL</p>

UNIT OF MEASURE IS EACH, UNLESS OTHERWISE SPECIFIED.

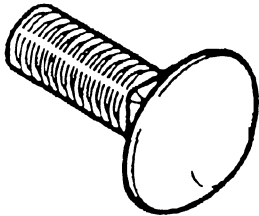
BOLTS & MISCELLANEOUS



0527374
BOLT, 1/4-20 X 3/4 RH HD



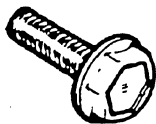
0832451
SCREW, HEX
5/16-18 X 1 1/2 SS



2000420
BOLT, CARRIAGE
1/2-13 X 1 1/2



2000016
SCREW HEX, PL-WASHER
1/4 X 5/8




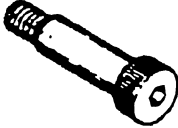
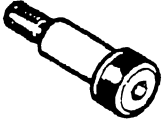
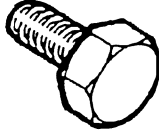
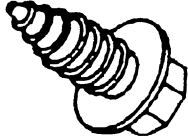

1044650
CAPSCREW, HEX FLANGE
1/4-20 X 7/8 SS

UNIT OF MEASURE IS EACH, UNLESS OTHERWISE SPECIFIED.

FASTENERS

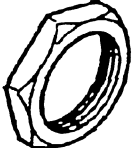
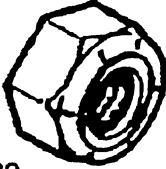
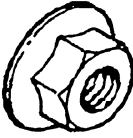


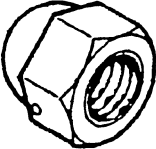

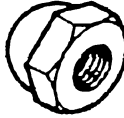
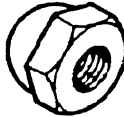




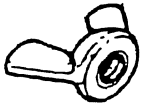

4300869 REV
ALL RIGHTS RESERVED



 <p>0565390 SCREW, 12, KNURLED HEAD</p>	 <p>0839779 SCREW, SHDLR SOC HD, 1/4 X 3/4 HT</p>
 <p>0839787 SCREW, SHDLR SOC HD, 1/4 X 5/8 HT</p>	 <p>0527366 SCREW, HEX HD SLF/TP 5/16 X 3/4</p>
 <p>1334630 BOLT, HEX, HD, 3/8-16 X 1, CA POINT</p>	 <p>1334671 SCREW, SM, PN/HD 8-32 X 3/8</p>

UNIT OF MEASURE IS EACH, UNLESS OTHERWISE SPECIFIED.

FASTENERS



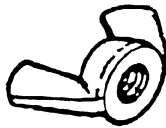
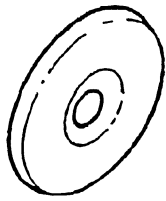





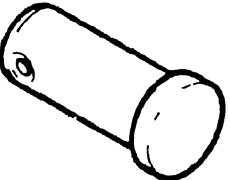
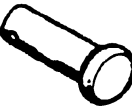
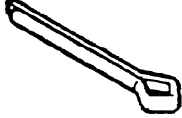



 0967281 NUT, HEX, 3/4-27X1" THICK	 2004232 NUT, DRIVERS SEAT, FIBER	 0543934 NUT HEX, LARGE FLANGE 3/8-16
 0829390 NUT, HEX, 5/16-18 WASHER SERRATED	 0659979 NUT, HEX, 1/4-20 WASHER SERRATED	 0412080 NUT, 1/2-20 SELF LOCKING CAP
 0421503 NUT, 3/8-24 ACORN LOCK	 0928440 NUT, ACORN, LOW CROWN 3/8-16	 2001360 NUT, ACORN 1/4-20
 0565408 RECEPTACLE	 0566067 RECEPTACLE	 0524942 SPEED NUT NAME PLATE
 0196394 NUT ADJUSTING BUZZER SWITCH	 2001378 NUT 1/4	 2001261 NUT PLASTIC EXPANSION

UNIT OF MEASURE IS EACH, UNLESS OTHERWISE SPECIFIED.

ASSORTED FASTENERS.

4300885 REV
ALL RIGHTS RESERVED






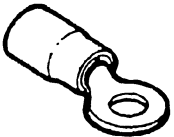


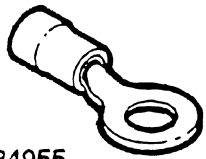
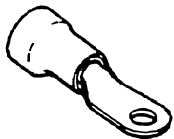
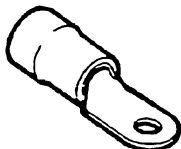
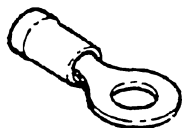
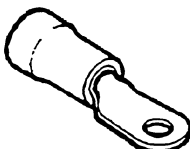
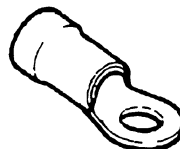
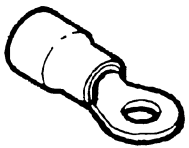
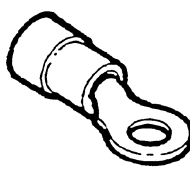
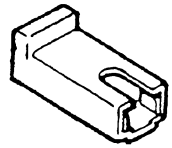
 <p>2001352 NUT T LONG PRONGED 1/4-20</p>	 <p>2001394 RIV-NUT NC 1/4</p>	 <p>2001444 NUT, WING, 5/16-18</p>
 <p>4033254 WASHER, SIDE WINDOW</p>	 <p>2001030 C/S WASHER, FINISH</p>	 <p>0832410 PUSH-ON CONNECTOR 5/16 SQ. SHAFT</p>
 <p>0565416 RETAINER</p>	 <p>2001691 RIVET TRUSS HD ALUMINUM 3/16 X 3/16</p>	 <p>2001717 RIVET TINNERS APPROX - 448 PER LB</p>
 <p>2008852 PIN CLEVIS DR. CONTROL 1 1/2 LG 1/2" DIA</p>	 <p>2008944 YOKE, PIN ASSEMBLY</p>	 <p>2008860 PIN COTTER, 3/32 X 1</p>
 <p>2008878 PIN COTTER 1/8 X 1 1/2</p>	 <p>0880658 STUD SNAP #8 SELF TAPPING 5/8 LONG</p>	 <p>0422667 STUD SNAP #7 SELF TAPPING 3/8</p>

UNIT OF MEASURE IS EACH, UNLESS OTHERWISE SPECIFIED.









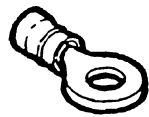
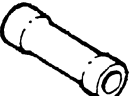


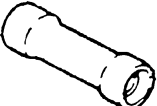
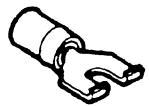
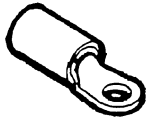
EYELETS

4300802 REV
ALL RIGHTS RESERVED



 <p>2007441 TERMINAL EYELET FLARED INSULATED NO. 10 10-12 GAUGE</p>	 <p>0798207 TERMINAL EYELET INSULATED 1/2" 8 GAUGE</p>	 <p>0765792 TERMINAL EYELET FLARED, INSULATED 3/8" 6 GAUGE</p>
 <p>0410944 TERMINAL EYELET FLARED, INSULATED NO. 10 10-12 GAUGE</p>	 <p>0410936 TERMINAL EYELET FLARED, INSULATED 5/8" 8 GAUGE</p>	 <p>0765784 TERMINAL EYELET FLARED INSULATED 1/2" 6 GAUGE</p>
 <p>0984955 TERMINAL EYELET INSULATED 5/16" STUD 10-12 GAUGE</p>	 <p>0765800 TERMINAL EYELET FLARED INSULATED NO. 10-6 GAUGE</p>	 <p>1008531 TERMINAL EYELET INSULATED 1/4" STUD 4 GAUGE</p>
 <p>2007474 TERMINAL EYELET FLARED INSULATED 3/8" 10-12 GAUGE</p>	 <p>0765776 TERMINAL EYELET FLARED INSULATED 1/4 " 6 GAUGE</p>	 <p>1008523 TERMINAL EYELET INSULATED 3/8" STUD 4 GAUGE</p>
 <p>0984948 TERMINAL EYELET INSULATED 1/4" STUD 8 GAUGE</p>	 <p>0765818 TERMINAL EYELET FLARED INSULATED 5/16" 6 GAUGE</p>	 <p>1017672 CONNECTOR RIGHT ANGLE BUTTON</p>
<p>UNIT OF MEASURE IS EACH, UNLESS OTHERWISE SPECIFIED.</p>		










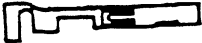


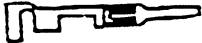


EYELETS

 <p>2007482 TERMINAL, PIN TYPE 1, PLATED 3/16" 14 GAUGE</p>	 <p>2268399 TERMINAL SLIDE, FEMALE 3/16" 18-22 GAUGE</p>	 <p>0765834 TERMINAL, EYELET FLARED INSULATED NO. 8 14-16 GAUGE</p>
 <p>0905752 TERMINAL PIN NO. 12</p>	 <p>2007417 TERMINAL, SLIDE, FEMALE FLARED INSULATED 1/4" 14 GAUGE</p>	 <p>2007433 TERMINAL EYELET FLARED, INSULATED NO. 10 14-16 GAUGE</p>
 <p>0905760 TERMINAL SOCKET NO. 12</p>	 <p>0527655 TERMINAL SLIDE, FEMALE FLARED, INSULATED 1/4" 10 GAUGE</p>	 <p>0765859 TERMINAL EYELET FLARED INSULATED FLARED, INSULATED 1/4" 14-16 GAUGE</p>
 <p>2007409 CONNECTOR BUTT FLARED, INSULATED 14-16 GAUGE</p>	 <p>0984922 TERMINAL SPADE INSULATED NO. 10 STUD 14-16 GAUGE</p>	 <p>0803361 TERMINAL, EYELET FLARED INSULATED 3/8" 14-16 GAUGE</p>
 <p>0522961 CONNECTOR BUTT FLARED INSULATED NO. 10-12 GAUGE</p>	 <p>1048172 TERMINAL, FLANGED SPADE FLARED, INSULATED NO. 8 14-16 GAUGE</p>	 <p>0984930 TERMINAL, EYELET INSULATED NO. 8 STUD 10-12 GAUGE</p>
<p>UNIT OF MEASURE IS EACH, UNLESS OTHERWISE SPECIFIED.</p>		











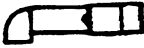
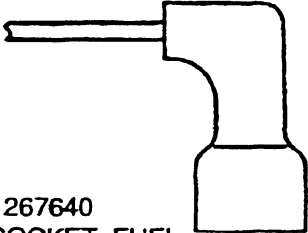



TERMINALS

4300786 REV
ALL RIGHTS RESERVED

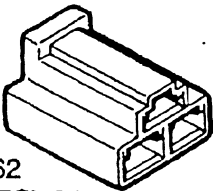
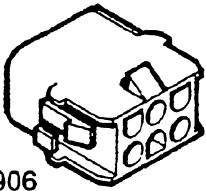

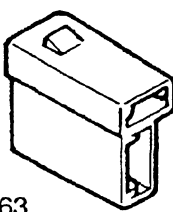
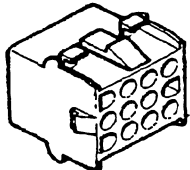
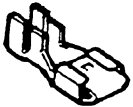
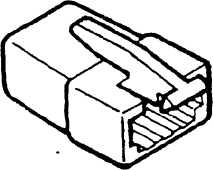
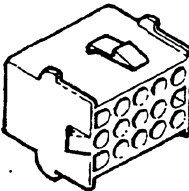

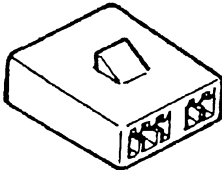


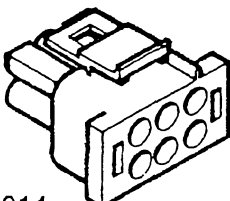

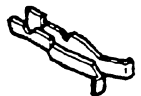


 1055490 BLADE, 1/4, 10 GA	 0527648 BLADE, 1/4, 14-16 GA	 1055391 BLADE, 1/4, 10-12 GA
 1077478 SOCKET, 14-18 GA	 1077494 SOCKET, 14-16 GA	 1299221 SOCKET, 150 SERIES
 1299213 SOCKET, 280 SERIES	 0908194 SOCKET, 14-16 GA	 1345677 SOCKET, 18-20 GA
 1154541 SOCKET, 14-16 GA	 1077486 PIN, 14-18 GA	 1077502 PIN, 12-16 GA SERIES 3
 1113307 PIN, 14-16 GA	 1077486 PIN, 14-18 GA	 0905794 PLUG, SEALING NO. 12
UNIT OF MEASURE IS EACH, UNLESS OTHERWISE SPECIFIED.		

TERMINALS

 <p>1063296 SLIDE, 1/4, 14-16 GA FLAG ..</p>	 <p>1203066 SLIDE, 3/16 14-16 GA</p>	 <p>1337591 CONTACT, 16-18 GA FLAG-TYPE</p>
 <p>1370485 SLIDE, 1/4, 14-18 GA</p>	 <p>0765826 EYELET 1/4", 10-12 GA</p>	 <p>1353655 EYELET 1/2", 10-12 GA</p>
 <p>1353648 EYELET #10, 18-20 GA</p>	 <p>1353630 EYELET 3/8, 18-20 GA</p>	 <p>1008531 EYELET 1/4", 4 GA</p>
 <p>1132091 BULLET, 14-16 GA.</p>	 <p>1222769 KNIFE, SPLICE 14-16 GA</p>	 <p>1267640 SOCKET, FUEL SENDER</p>
 <p>1345594 RECEPTACLE, 14-18 GA</p>	 <p>1053115 BLADE, 1/4, 14-16 GA</p>	 <p>1159383 BLADE, 1/4, 14-16 GA</p>
<p>UNIT OF MEASURE IS EACH, UNLESS OTHERWISE SPECIFIED.</p>		

ELECTRICAL CONNECTORS

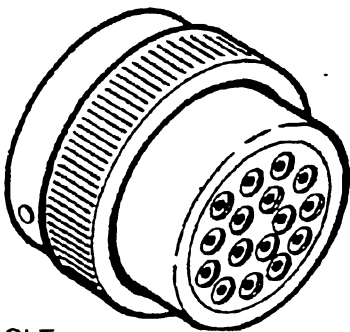
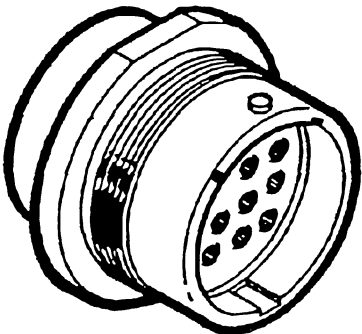
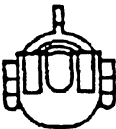

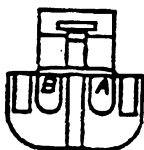
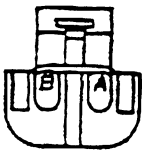
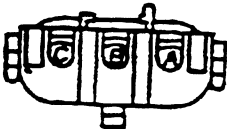
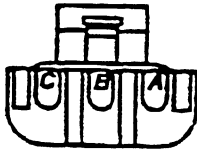
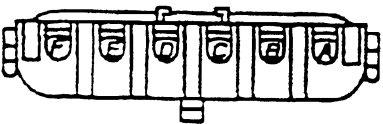
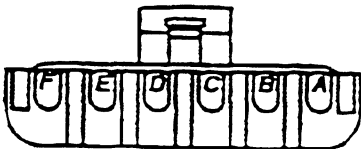
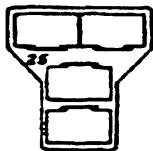
 0766162 CONNECTOR HORN RELAY	 0984906 CONNECTOR 6 CIRCUIT CAP	 2028066 TERMINAL, SLIDE, FEMALE 1/4" 14-16 GAUGE
 0984963 CONNECTOR HOUSING 2 CONTACT	 0814608 CAP CONNECTOR CHASSIS WIRING	 0766121 TERMINAL, SLIDE, FEMALE 1/4" 10 GAUGE
 0984997 CONNECTOR, HOUSING 3 CIRCUIT	 0984443 CONNECTOR CAP 15 CIRCUIT	 0985291 TERMINAL SLIDE FEMALE 1/4"
 0984971 CONNECTOR, HOUSING 5 CIRCUIT	 0814632 TERMINAL, SOCKET 1 AMP, 14-20 GAUGE	 0985002 TERMINAL RECEPTACLE
 0984914 CONNECTOR PLUG 6 CIRCUIT	 0814624 TERMINAL, PIN 1 AMP, 14 GAUGE	 0984989 TERMINAL FEMALE

UNIT OF MEASURE IS EACH, UNLESS OTHERWISE SPECIFIED.

ELECTRICAL CONNECTORS


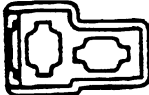

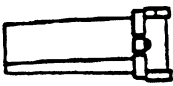
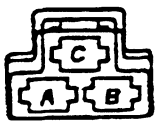

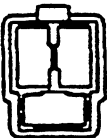
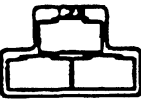
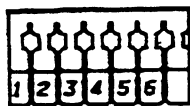
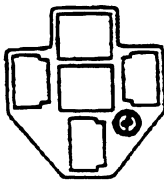
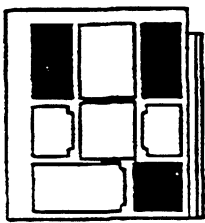
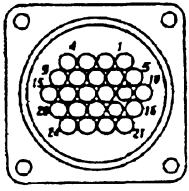
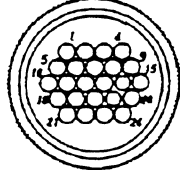
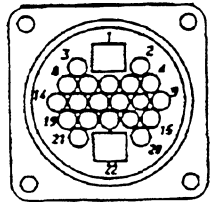
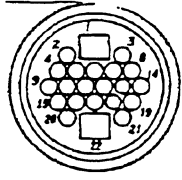
4300752 REV
ALL RIGHTS RESERVED



 <p>0905984 RECEPTACLE W/PIN CONTACTS</p>	 <p>0905992 PLUG W/SOCKETS NO. 12</p>	
 <p>1154558 CONN. 1 CIRCUIT SHROUD</p>	 <p>1154566 CONN. 1 CIRCUIT TOWER</p>	 <p>1161850 CONN. 2 CIRCUIT SHROUD</p>
 <p>1161868 CONN. 3 CIRCUIT TOWER</p>	 <p>1154574 CONN. 3 CIRCUIT SHROUD</p>	 <p>1113299 CONN. 3 CIRCUIT TOWER</p>
 <p>1154616 CONN. 6 CIRCUIT SHROUD</p>	 <p>1154624 CONN. 6 CIRCUIT TOWER</p>	 <p>1025881 CONN. 4 CIRCUIT</p>
<p>UNIT OF MEASURE IS EACH, UNLESS OTHERWISE SPECIFIED.</p>		

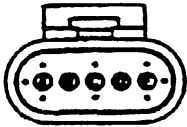
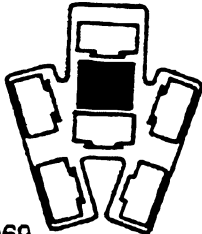

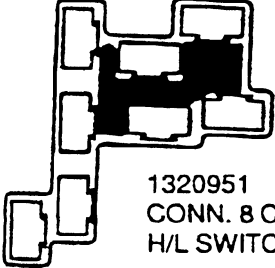

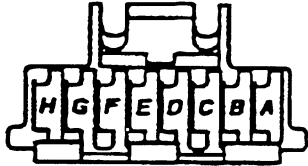
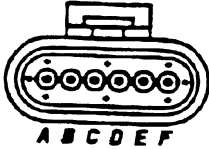
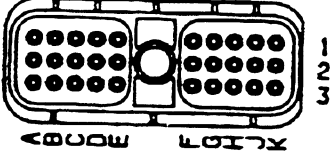





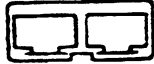
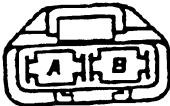


ELECTRICAL CONNECTORS

 <p>1313915 MALE, LOCK TYPE</p>	 <p>1161231 FEMALE, LOCK-TYPE</p>	 <p>1161249 MALE, LOCK TYPE</p>
 <p>1345586 CONN. 2 CIRCUIT BULB, MIN. WEDGE BASE</p>	 <p>1159367 CONN. 3 CIRCUIT FEMALE, LOCK-TYPE</p>	 <p>1159375 MALE, LOCK-TYPE</p>
 <p>1345669 MALE, LOCK-TYPE</p>	 <p>0766162 PANEL, HORN RELAY</p>	 <p>1337583 CONN. 6 CONTACT</p>
 <p>1143627 CONN. 5 CIRCUIT BOSCH W/O MTG TAB</p>	 <p>1146661 CONN. 5 CIRCUIT BOSCH W/MTG TAB</p>	 <p>1077619 CONN. 24 CIRCUIT CAP</p>
 <p>2264356 CONN. 24 CIRCUIT PLUG</p>	 <p>1078211 CONN. 22 CIRCUIT CAP</p>	 <p>1078229 CONN. 22 CIRCUIT PLUG</p>

UNIT OF MEASURE IS EACH, UNLESS OTHERWISE SPECIFIED.

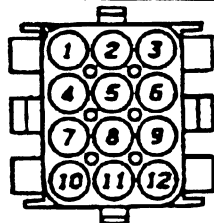
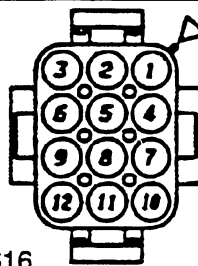
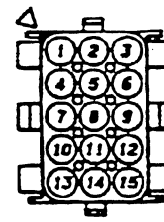
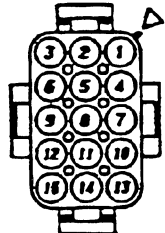
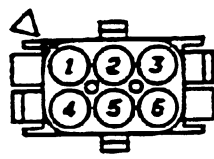
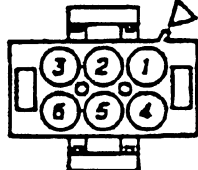
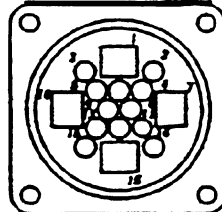
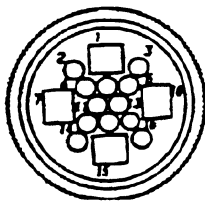
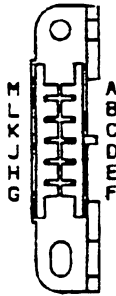




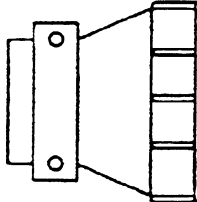
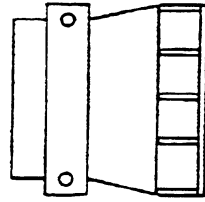
ELECTRICAL CONNECTORS

 <p>1231935 CONN. 5 CIRCUIT</p>	 <p>1320969 CONN. 4 CIRCUIT TOWER</p>	 <p>1320969 CONN. 6 CIRCUIT</p>
 <p>1320951 CONN. 8 CIRCUIT H/L SWITCH</p>	 <p>1428424 CONN. 8 CIRCUIT WIPER SWITCH</p>	 <p>0908186 CONN. 8 CIRCUIT ELEC. GOV.</p>
 <p>1365303 CONN. PLUG, 6 WAY</p>	 <p>1298603 CONN. 30 CIRCUIT, 150 SERIES</p>	 <p>1017672 CONN. 1 CIRCUIT PANEL</p>
 <p>0956839 CONN. 1 CIRCUIT PANEL, W/O LOCK</p>	 <p>1159391 FEMALE</p>	 <p>1159409 MALE</p>
 <p>0956847 CONN. 2 CIRCUIT MALE, W/LOCK</p>	 <p>0956821 PANEL</p>	 <p>1313881 FEMALE, LOCK-TYPE</p>

UNIT OF MEASURE IS EACH, UNLESS OTHERWISE SPECIFIED.



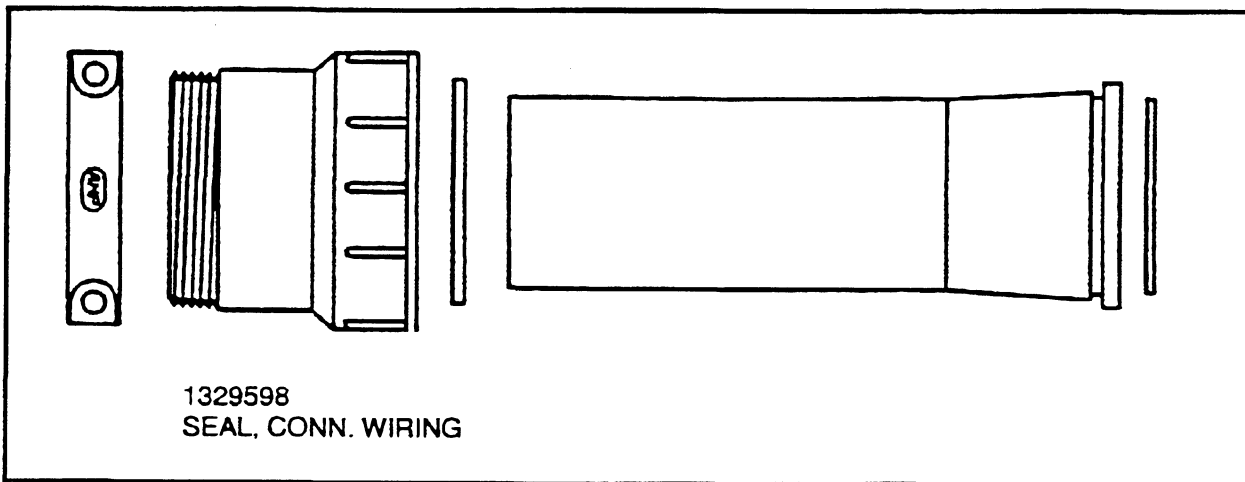
ELECTRICAL CONNECTORS

 <p>0814608 CONN. 12 CIRCUIT, MATE-LOCK CAP</p>	 <p>0814616 CONN. 12 CIRCUIT, MATE-LOCK PLUG</p>	 <p>0984443 CONN. 15 CIRCUIT, MATE-LOCK CAP</p>
 <p>0984435 CONN. 15 CIRCUIT, MATE-LOCK PLUG</p>	 <p>0984906 CONN. 6 CIRCUIT, MATE-LOCK CAP</p>	 <p>0984914 CONN. 6 CIRCUIT, MATE-LOCK PLUG</p>
 <p>1077452 CONN. 16 CIRCUIT, CAP</p>	 <p>1077460 CONN. 16 CIRCUIT, PLUG</p>	 <p>1298611 CONN. 12 CONTACT</p>
 <p>1113315 SEAL, WIRE, 12-14 GA BLUE</p>	 <p>1154582 SEAL, WIRE, 16-18 GA, GRAY</p>	 <p>1161843 PLUG, SEALING, CONN.</p>
 <p>1299239 PLUG, SEALING</p>	 <p>2264349 CLAMP W/O SEAL</p>	 <p>1329606 CLAMP, W/SEAL</p>

UNIT OF MEASURE IS EACH, UNLESS OTHERWISE SPECIFIED.

ELECTRICAL CONNECTORS

4300711 REV
ALL RIGHTS RESERVED



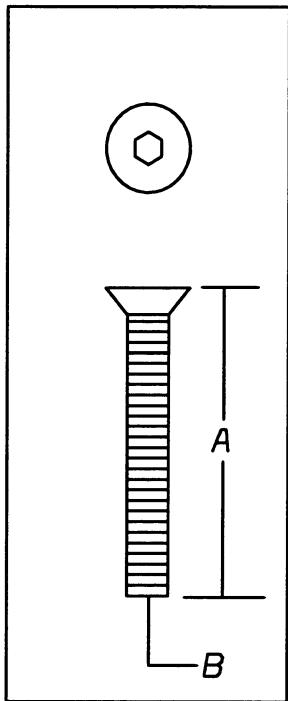
1329598
SEAL, CONN. WIRING

DR. 8/28/96	BY LMS	A	1752807	F
APP 8/28/96	BY AB	FRT		REV



© BLUE BIRD BODY COMPANY. ALL RIGHTS RESERVED

BLUE BIRD



**SCREW CHART
COUNTERSUNK FLATHEAD**

<u>KEY</u>	<u>PART NO</u>	<u>DESCRIPTION</u>				<u>QTY</u>
PART NO	A	B	MATERIAL	FINISH	SPECIAL	VENDOR
1404334	M1.25	M1.25 X 25	STAINLESS STEEL	_____	_____	_____
1419993	2.75	5/16-18	STAINLESS STEEL OR BLK OXIDE	_____	_____	_____
1467323	1.50	1/4-20	_____	BLK ZINC	_____	_____
1701853	1.75	1/4-20	HEAT TREATED ALLOY STEEL	BLK ZINC	_____	_____
1424324	1.75	5/16-18	STAINLESS STEEL	_____	_____	_____
1373174	2.50	1/4-20	STAINLESS STEEL	_____	_____	_____
1666114	.75	1/4-20	_____	BLK ZINC	GRADE 8	BLUE DEVIL
1666106	4.00	1/4-20	_____	BLK ZINC	GRADE 8 1.37 THREADED	BLUE DEVIL
2021152	1.50	1/2-20	_____	BLK ZINC	NYLON LOCK	_____
3950094	1.50	5/16-18	GRADE 5	BLK ZINC	APPLY THREAD LOCKING MA- TERIAL TO THREAD	_____
1782226	1.25	3/8-16	ALLOY, GRADE 5	BLK OXIDE	_____	_____
1864636	1.25	1/2-13	GRADE 5	BLK ZINC	_____	_____
1902444	1.50	1/2-13	GRADE 5	BLK ZINC	_____	_____

AAFE, AARE, A3FE, A3RE, B1VC, C1FE, CSFE, CSRE, DRFL, DRRE, GMCV, GPWB, MBWB, Q4RE,
QBEV, QBRE, T2RE, TCEV, TCFE, TCRE, TSCS, TSFE, VCTA

DECALS

<u>KEY</u>	<u>PART NO</u>	<u>DESCRIPTION</u>	<u>QTY</u>
		<u>MISCELLANEOUS DECALS</u>	
		"EMERGENCY DOOR"	
0847707		OPT. 1509, 2" BLACK LETTERS	
0852475		OPT. 1510, 2" RED LETTERS	
1084896		"NO STANDEES PERMITTED", (OPT. 1513)	
2007060		"DO NOT STAND FORWARD OF LINE WHILE BUS IS IN MOTION", (OPT. 1508)	
0840074		"EMERGENCY EXIT/EMERGENCY EXIT SEE INSTRUCTIONS BELOW"; OPT. 3344,3345,3346,3349	
1495530		"EMERGENCY EXIT; OPERATES FROM INSIDE ONLY"; OPT. 3344, 3345, 3346, 3349	
1495399		"EMERGENCY EXIT; SEE INSTRUCTIONS BELOW"; OPT. 3344, 3345, 3346, 3349	
		INSTRUCTIONS, PUSHOUT WINDOWS	
0812222		U. S. UNITS	
0990200		CANADA UNITS	
		INSTRUCTIONS, REAR & SIDE EMERGENCY DOOR (OPT. 0428, 0429)	
0812248		U. S. UNITS	
0990192		CANADA UNITS	
0990226		"PORTE DE SECOURS" (OPT. 0428,0429)	
0990234		"SORTIE DE SECOURS"	
		<u>OPT. 0162 FRONT OVERHEAD EMERGENCY EQUIPMENT DECALS</u>	
0759159		"EMERGENCY EQUIPMENT", 2"	
0759167		"FIRST AID KIT", 1/2"	
0759175		"FIRE EXTINGUISHER", 1/2"	
0759183		"WARNING DEVICES", 1/2"	
0759191		"AXE", 1/2"	
0759209		"WRECKING BAR", 1/2"	
1360593		"TURN TO OPEN, CLOSE"; 4 X 4	
1530666		LH LOGO, BIRD, VINYL	
1530658		RH LOGO, BIRD, VINYL	
0355321		DECAL, YOUR CHILDREN'S SAFETY	
1352327		DECAL, VANDAL LOCK EMERGENCY DOOR, IGN INTERLOCK	
0871517		DECAL, REAR STOP/START SELECTOR	
1105477		DECAL, ENGINE START	
1512359		DECAL, "ENGINE START-ENG. COMPT. LIGHTS-FRONT OFF REAR"	
1498708		DECAL, BLUE BIRD LOGO	

AAFE, AARE, A3FE, A3RE, B1VC, C1FE, CSEV, CSFE, CSRE, DRFL, DRRE, GMCV, GPWB, MBWB, Q4RE, QBEV, QBRE, T2RE, TCEV, TCFE, TCRE, TSCS, TSFE

DECALS

<u>KEY</u>	<u>PART NO</u>	<u>DESCRIPTION</u>	<u>QTY</u>
	0414011	DECAL, FRONT INNER ROOF, "ALL AMERICAN"	
	1147495	DECAL, INSTRUCTION, R.E.W. LOCK	
	0356535	DECAL, ANTI-FREEZE CHECK	
	0982306	DECAL, SWITCH, PANEL, U/S HEATER FAN	
	1298678	DECAL, WATCH YOUR STEP	
	1218650	DECAL, OIL HYDRAULIC, FAN DRIVE SYSTEM	
	1343185	DECAL, AIR CONTROL, ACCELERATOR	
	2193050	DECAL, LUBRICATION, DRIVER'S WINDOW	
	1147495	DECAL, INSTRUCTIONS, R.E.W. LOCK, OPT. 3387	
	1147503	DECAL, INSTRUCTIONS, R.E.W. LOCK, BI-LINGUAL	
	1495399	DECAL, EMERGENCY EXIT, R.E.W.	
	0002571	DECAL, "NO SMOKING", 2 IN. BLACK LETTERS	
	1221381	DECAL, "KNEELING BUS"	
	1826973	DECAL, EXTERIOR, "WARNING THIS BUS IS EQUIPPED WITH A KNEELING FEATURE..."	
	1167287	DECAL, INTERIOR, "WARNING THIS BUS IS EQUIPPED WITH A KNEELING FEATURE..."	

AAFE, AARE, A3FE, A3RE, B1VC, C1FE, CSEV, CSFE, CSRE, DRFL, DRRE, GMCV, GPWB, MBWB, Q4RE, QBEV, QBRE, T2RE, TCEV, TCFE, TCRE, TSCS, TSFE

STENCILS

<u>KEY</u>	<u>PART NO</u>	<u>DESCRIPTION</u>	<u>QTY</u>
<u>MISCELLANEOUS STENCILS</u>			
	2011542	BIRD, RH STREAMER	
	2011559	BIRD, LH STREAMER	
	2011518	"SCHOOL BUS", 8" LETTERS	
	2011617	"STOP", 9" LETTERS	
	0753814	"STOP", 6" LETTERS	
	0753780	"ON SIGNAL", 6" LETTERS	
	2011492	"EMERGENCY DOOR", 2" LETTERS	

INDIVIDUAL LETTER, NUMBER & SYMBOL STENCILS

<u>LETTER</u>	<u>2"</u>	<u>3"</u>	<u>4"</u>	<u>5"</u>	<u>6"</u>
A	2009652	2010031	2010411	2010809	2011195
B	2009660	2010049	2010429	2010817	2011203
C	2009678	2010056	2010437	2010825	2011211
D	2009686	2010064	2010445	2010833	2011229
E	2009694	2010072	2010452	2010841	2011237
F	2009702	2010080	2010460	2010858	2011245
G	2009710	2010098	2010478	2010866	2011252
H	2009728	2010106	2010486	2010874	2011260
I	2009736	2010114	2010494	2010882	2011278
J	2009744	2010122	2010502	2010890	2011286
K	2009751	2010130	2010510	2010908	2011294
L	2009769	2010148	2010528	2010916	2011302
M	2009777	2010155	2010536	2010924	2011310
N	2009785	2010163	2010544	2010932	2011328
O	2009793	2010171	2010551	2010940	2011336
P	2009801	2010189	2010569	2010957	2011344
Q	2009819	2010197	2010577	2010965	2011351
R	2009827	2010205	2010585	2010973	2011369
S	2009835	2010213	2010593	2010981	2011377
T	2009843	2010221	2010601	2010999	2011385
U	2009850	2010239	2010619	2011005	2011393
V	2009868	2010247	2010627	2011013	2011401
W	2009876	2010254	2010635	2011021	2011419
X	2009884	2010262	2010643	2011039	2011427
Y	2009892	2010270	2010650	2011047	2011435
Z	2009900	2010288	2010668	2011054	2011443
1	2009918	2010338	2010676	2011062	2050854
2	2009926	2010346	2010684	2011070	2050862
3	2009934	2010353	2010692	2011088	2050870
4	2009942	2010361	2010700	2011096	2050888
5	2009959	2010379	2010718	2011104	2050896
6 & 9	2009967	2010387	2010726	2011112	2050904
7	2009975	2010395	2010734	2011120	2050912
8	2009983	2010403	2010742	2011138	2050920
PERIOD (.)	2009991	2010296	2010759	2011146	NA
COMMA (,)	2010007	2010304	2010767	2011153	NA
DASH (-)	2010015	2010312	2010775	2011161	NA
AND (&)	2010023	2010320	2010783	2011179	NA
NUMBER (#)	NA	NA	2010791	2011187	NA

AAFE, AARE, A3FE, A3RE, B1VC, C1FE, CSEV, CSFE, CSRE, DRFL, DRRE, GMCV, GPWB, MBWB, Q4RE, QBEV, QBRE, T2RE, TCEV, TCFE, TCRE, TSCS, TSFE



BLUE BIRD

Part Number: 0008835

Blue Bird Corporation ♦ P.O. Box 937 ♦ Fort Valley, GA 31030