

BLUE BIRD

**1991  
WLSP**

1028752 14<sup>th</sup>  
1028766 19<sup>th</sup>

# BLUE BIRD BODY CO.

BODY NO. F90367

MODEL YR. 1991

FORT VALLEY, GEORGIA, USA

BODY SERVICE NO. 169990

FURNISH INFORMATION BELOW WHEN ORDERING AXLE PARTS

CHASSIS  
SERIAL

33518

ENGINE  
SERIAL

02Z56396

FRONT  
AXLE

FG941NX127

BRAKE LINING FMSI  
NO & FRICTION CODE

4524B/FF

BRAKE  
DRUM

1117365

REAR  
AXLE

R125NX3

BRAKE LINING FMSI  
NO & FRICTION CODE

4515G/FF

BRAKE  
DRUM

1117340

REAR AXLE RATIO

5.29

CHASSIS SERVICE NO.

0968724

© 1991 BLUE BIRD BODY COMPANY  
ALL RIGHTS RESERVED



PUBLICATION NO. 42-96-75-20-91-01

# Introduction

Thank you for the confidence you have shown in our company by purchasing a Blue Bird Wanderlodge. This catalog is designed to assist you in ordering service replacements parts for your Wanderlodge. It contains illustrations with parts information for most parts and accessories.

If at any time you should need assistance. Please don't hesitate to contact your Wanderlodge Dealer or the Wanderlodge Parts Department in Fort Valley, Georgia, U.S.A.

## Ordering Parts

You can order your service parts from your Wanderlodge Dealer or directly from Blue Bird Wanderlodge, Fort Valley, Georgia. When placing an order give the quantity, Wanderlodge part number and a brief description. If for some reason you have been unable to find the part number, advise the quantity and a complete parts description, along with the body number for which the parts are required. The body number of your Blue Bird may be found on the Data Plate which is located on the crossmember in the engine compartment. A picture of the Data Plate appears on the inside front cover of this catalog.

When ordering parts for a major wreck, it is a good idea to include photographs with your order. This will help to fill your order correctly.

## Receiving Parts from Carrier

Certain steps should be taken when receiving an order to insure it's completeness and to evaluate the condition of the parts received.

1. Check the number of pieces actually received against the number of pieces shown on the bill of lading.
2. Visually check the external condition of the boxes, crates, etc. Any discrepancies should be noted on the bill of lading. Have the driver initial each notation on your copy and his copy of the bill of lading.
3. Any concealed damage not discovered until after the carrier has left should be reported immediately to the carrier.
4. Claims for shortages or damages should be filed with the carrier immediately.
5. If incorrect parts are received, notify the Parts Department from whom you purchased the parts. They will advise disposition of the parts. Do not return parts without prior authorization.

## Shipment of Material

All parts will be shipped the most economical way, unless otherwise specified.

## **Company Policy**

Although it is impractical to include all parts in this catalog for all options offered, we believe those included will meet the great majority of your needs. It is our earnest desire at Blue Bird to give you the fastest and most accurate service possible. Please help us by studying this catalog and ordering by the correct part number.

## **A Word of Caution**

Blue Bird Wanderlodge uses new parts and components in the manufacture of its' coaches. We strongly recommend that you use only new parts and components for replacement purposes. Blue Bird or its' vendor can not be responsible for failures due to the use of used or rebuilt parts.

## **Payment**

All parts orders are shipped on a C.O.D. basis unless other arrangements have been made with your Wanderlodge Dealer or Blue Bird Body Wanderlodge. This is customary in the automotive field.

## **Important**

The illustrations and drawings used in this parts catalog are to be used for parts identification purposes only, not as a guide for assembly, disassembly, maintenance or service.

## **Chassis Service Number**

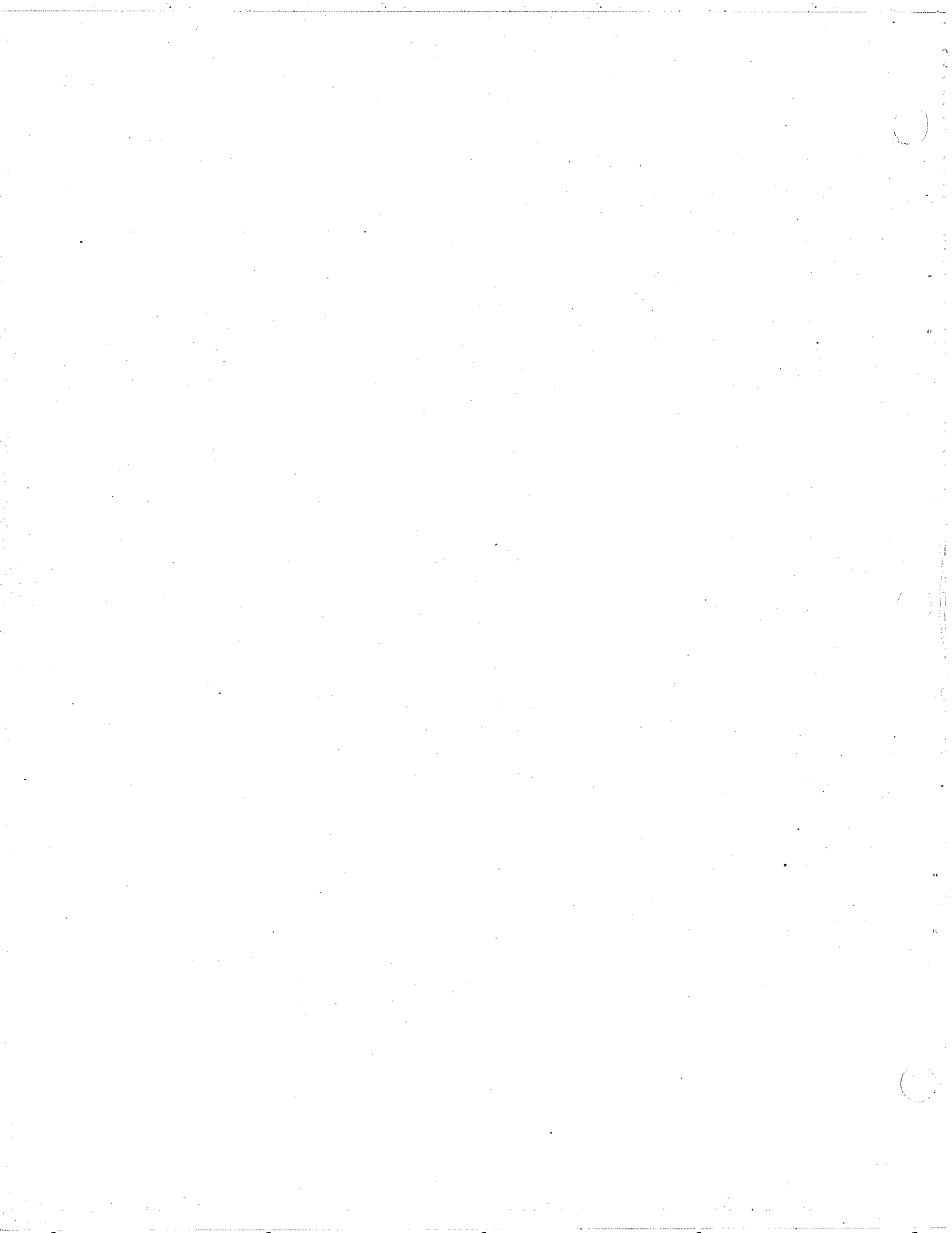
A chassis service number (CSN) is assigned to the chassis of each Blue Bird Wanderlodge. This number is used to identify the sequence in which a chassis is set up in production.

Example: CSN 0958560 is set up immediately before CSN 0958561. This will assist you in identifying the first unit (beginning CSN) or last unit (ending CSN) on which a part was installed.

The CSN can be found attached to the axle record plate which is on the right side of the engine compartment. A picture of the axle record plate appears on the inside front cover of this catalog.

# TABLE OF CONTENTS

<u>DESCRIPTION</u>	<u>PAGE</u>
<b>AXLES</b>	
FRONT.....	2
REAR.....	6
<b>BRAKES</b>	
FRONT.....	10
REAR.....	14
DUAL AIR BRAKE ASSEMBLY.....	16
<b>WHEEL END COMPONENTS</b>	
FRONT.....	20
REAR.....	22
COOLING SYSTEM.....	24
BAFFLE INSTALLATION COOLING SYSTEM.....	28
DRIVELINE.....	30
<b>ENGINE TRIM</b>	
1 OF 3.....	32
2 OF 3.....	34
3 OF 3.....	38
AIR INTAKE SYSTEM.....	42
BATTERIES AND CABLES.....	44
ELECTRICAL COMMON PARTS.....	45
EXHAUST SYSTEM.....	46
FRAME AND BUMPERS.....	48
SUB FRAME ASSY.....	52
ENGINE MOUNTING.....	54
FUEL SYSTEM.....	56
<b>INSTRUMENTS</b>	
PANEL ASSY., DASH, UPPER.....	58
PANEL ASSY., DASH, LOWER.....	60
PANEL ASSY., SHIFTER.....	62
PANEL ASSY., DASH UPPER, RH.....	64
PANEL ASSY., DASH LOWER, RH.....	66
PANEL ASSY., DASH LOWER AUXILIARY, LH.....	68
PANEL ASSY., DASH OVERHEAD AUXILIARY, LH.....	70
PANEL ASSY., DASH OVERHEAD AUXILIARY, RH.....	72
STEERING LINKAGE.....	74
POWER STEERING, PUMP TO VALVE.....	76
<b>SUSPENSION</b>	
FRONT.....	78
REAR.....	80
AIR LEVELING SYSTEM, (OPT. 5640-02).....	84
AIR THROTTLE CONTROL.....	86
ACCELERATOR CABLE INSTALLATION.....	88
RETARDER CONTROL.....	90
HOLDING TANKS.....	92



## ABBREVIATIONS

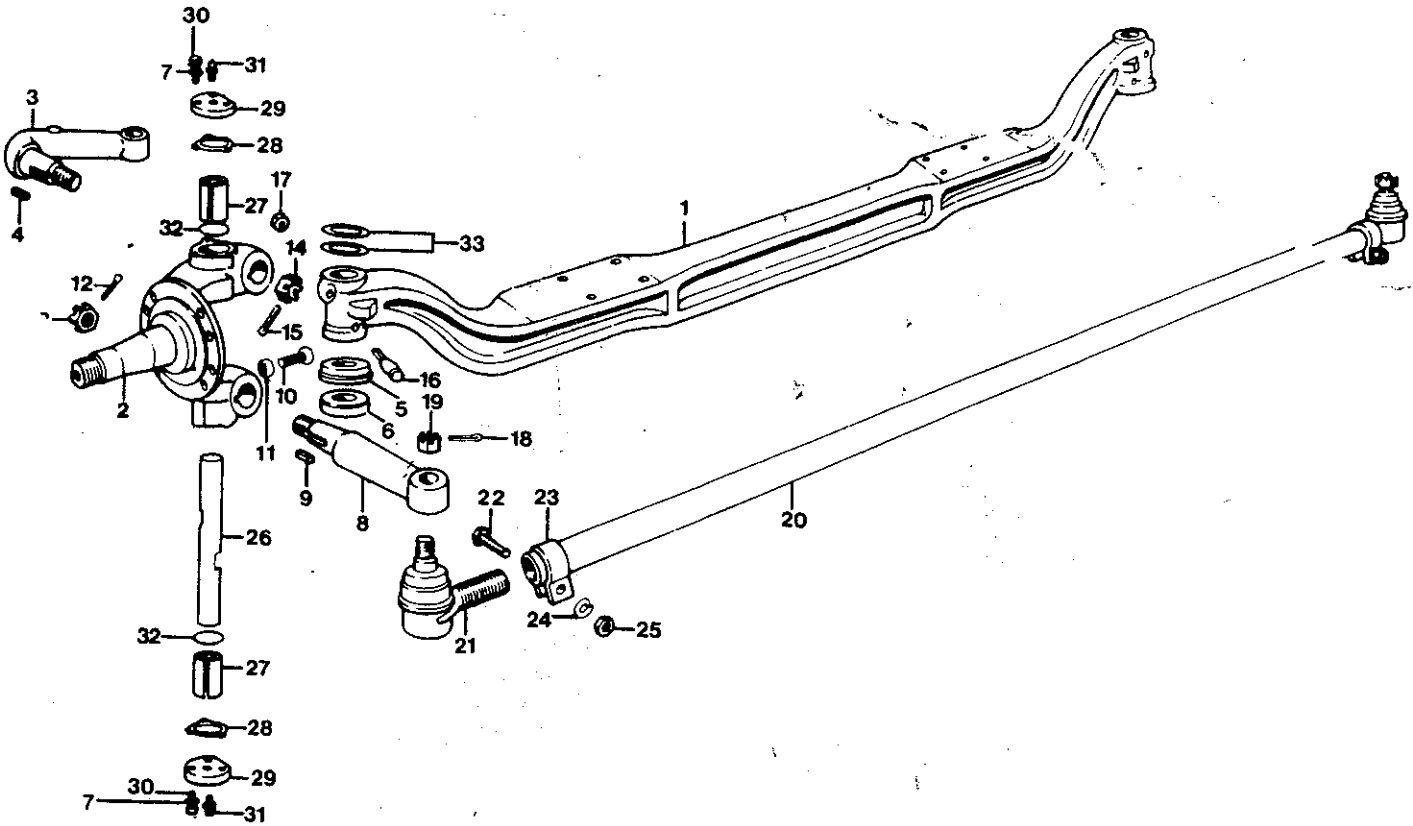
AC	AIR CONDITIONING
ADJ.	ADJUSTING
AR	AS REQUIRED
ASSY.	ASSEMBLY
BB	BLUE BIRD
BLK	BLACK
BRKT.	BRACKET
COMP.	COMPRESSOR
CONT.	CONTINUED
CTR.	CENTER
CU.	CUBIC
CYL.	CYLINDER
DEG.	DEGREE
DIA.	DIAMETER
DIFF.	DIFFERENTIAL
DRI'S	DRIVER'S
ENG.	ENGINE
EXH.	EXHAUST
FPT	FEMALE PIPE THREAD
FRT.	FRONT
FWD	FORWARD
GM	GENERAL MOTORS
GR.	GRADE
HDND	HARDENED
I.D.	INSIDE DIAMETER
INCL.	INCLUDED
LH	LEFT HAND
MAT'L	MATERIAL
MPT	MALE PIPE THREAD
MTG	MOUNTING
NI	NOT ILLUSTRATED
O.D.	OUTSIDE DIAMETER
OZ	OUNCE
PLTD.	PLATED
POS.	POSITION
PT	PIPE THREAD
RD.	ROUND
RH	RIGHT HAND
SM	SMALL
STD.	STANDARD
SUSP.	SUSPENSION
TRANS.	TRANSMISSION

FRONT AXLE  
ROCKWELL FG-941-NX-127

DR 10-11-87 BY LB	8007056
APP. BY	

FRONT

© 1987 BLUE BIRD BODY COMPANY  
ALL RIGHTS RESERVED





FRONT AXLE  
ROCKWELL FG-941-NX-127

KEY NO.	PART NO.	DESCRIPTION	VENDOR PART NO.	QTY REQ'D
1	2157345	AXLE CENTER	3100-X-7174	
2	4279451	STEERING KNUCKLE ASSY, LH	A2-3111-R-2644	
NI	4279469	STEERING KNUCKLE ASSY. RH	A2-3111-W-2649	
3	2136455	STEERING ARM	3133-K-5653	
4	2135218	KEY, STEERING ARM	16-X-202	
5*	2157550	SEAL & GASKET ASSY., LOWER	A-1205-P-1784	2
6*	4279485	THRUST BEARING & GASKET ASSY.	T-1921	2
7*	2600419	WASHER	1229-E-1669	12
8		ARM, CROSSTUBE		
	4279493	LH (SHOWN)	3133-S-6337X	
	4279501	RH	3133-R-6336X	
9	2135218	KEY, CROSSTUBE ARM	16-X-202	2
10	2646545	SCREW, STOP	26-X-219	2
11	2596195	LOCKNUT	N-48-1	2
12	2594596	PIN, COTTER	K-2616	2
13	2600724	NUT, CROSSTUBE ARM	14-X-27	2
14	2135200	NUT, STEERING ARM	13-X-159	
15	2135267	PIN, COTTER, STEERING ARM	K-2618	
16*		KEY, DRAW		
	2622470	SHORT (UPPER)	7-X-112	2
	2622371	LONG (LOWER)	7-X-111	2
17*	2646552	NUT, DRAW KEY	1227-Z-780	4
18	2594398	PIN, COTTER (INCLUDED W/ITEM 21)	K-2412	2
19		NUT, TIE ROD END(INCLUDED W/ITEM 21)		2
20	2596153	CROSSTUBE & CLAMP ASSY.	A-3102-N-3472.	
21		END ASSY., CROSSTUBE		
	4279527	LH (SHOWN)	A-3144-E-525	
	4279535	RH	A-3144-D-524	
22		BOLT, CROSSTUBE CLAMP (NOT AVAILABLE SEPARATELY, INCLUDED W/ITEM #20)		2
23		CLAMP, CROSSTUBE (NOT AVAILABLE SEPARATELY, INCLUDED W/ITEM #20)		2
24		LOCKWASHER, CROSSTUBE CLAMP (NOT AVAILABLE SEPARATELY, INCLUDED W/ITEM #20)		2
25		NUT, CROSSTUBE CLAMP (NOT AVAILABLE SEPARATELY, INCLUDED W/ITEM #20)		2
26*	2599769	PIN, KNUCKLE	3101-W-179	2
27*	2137016	BUSHING, KNUCKLE PIN	1225-W-985	2
28*	4279543	GASKET	3208-M-1027	4
29*	2149490	CAP, STEERING KNUCKLE	2297-T-4752	4
		* NOTE: INCLUDED IN REPAIR KIT, KNUCKLE PIN		

QUANTITY REQUIRED IS ONE UNLESS OTHERWISE SPECIFIED.  
REVISED 11-15-90 2192P 3

FRONT AXLE  
ROCKWELL FG-941-NX-127

KEY NO.	PART NO.	DESCRIPTION	VENDOR PART NO.	QTY REQ'D
30*	2149482	CAPSCREW	S-258-1	12
31*	4279550	FITTING, GREASE, 90 DEG.	1898-R-720	4
32*	2157550	SEAL ASSY., OIL	A-1205-P-1784	4
33*		SHIM, STEERING KNUCKLE SPACING		
	2603538	.005"	2203-L-3002	AR
	2603231	.010"	2203-K-3001	AR
	4279592	.015"	2203-D-2942	AR
NI	4279568	REPAIR KIT, KNUCKLE PIN (INCLUDES ITEMS 5,6,7,16,17,26,27 28,29,30,32,33)	KIT 1309	
		* NOTE: INCLUDED IN REPAIR KIT, KNUCKLE PIN		

QUANTITY REQUIRED IS ONE UNLESS OTHERWISE SPECIFIED.  
REVISED 11-15-90 2192P 4

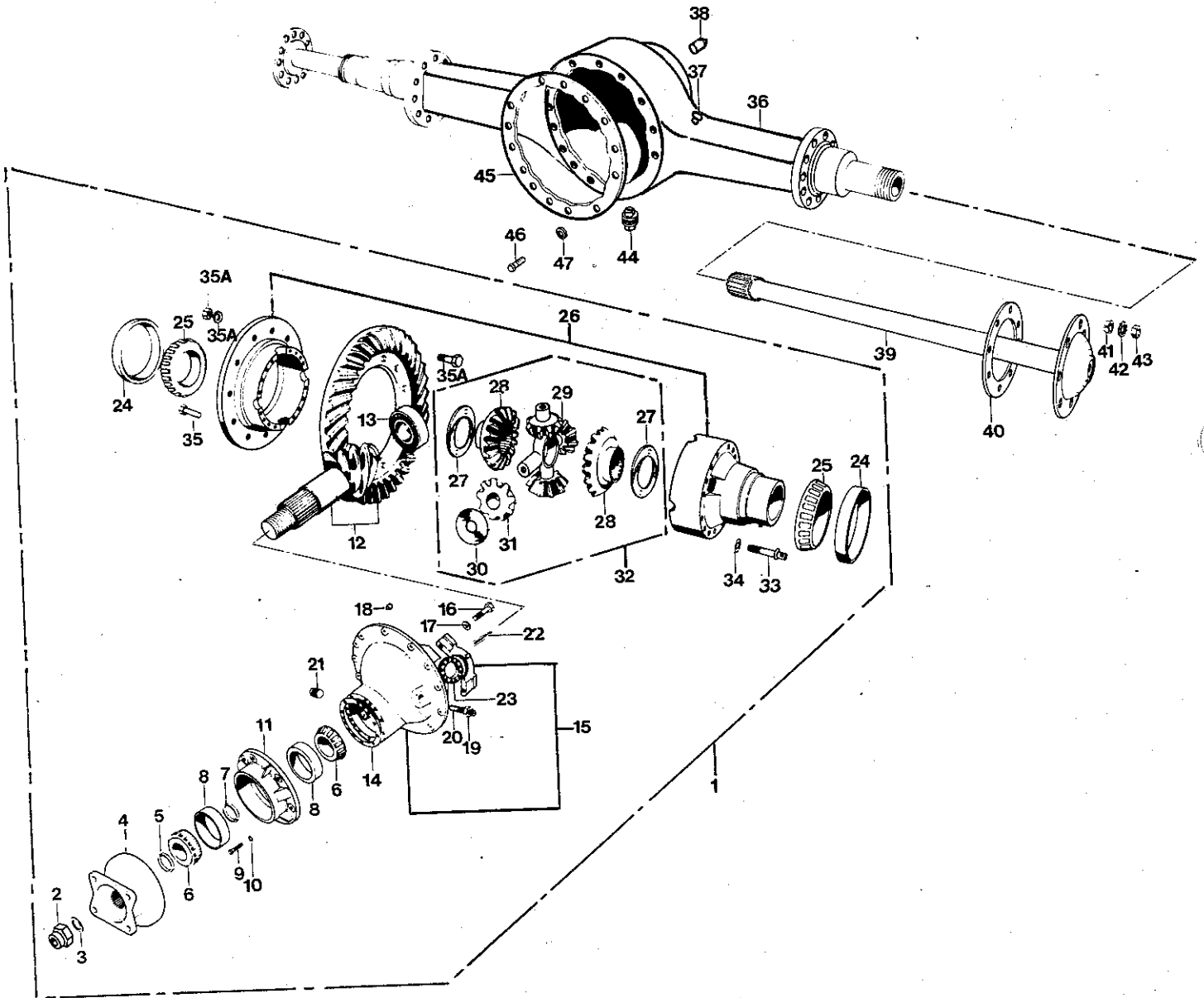


**BLUE BIRD**

# ROCKWELL STANDARD REAR AXLES R-125-NX-3

DR. 6/14/83 BY JET	8002362
APP. 11-1-83 BY DVB	

© 1983 BLUE BIRD BODY COMPANY  
ALL RIGHTS RESERVED



ROCKWELL STANDARD REAR AXLES  
R-125-NX-3

KEY NO.	PART NO.	DESCRIPTION	VENDOR PART NO.	QTY REQ'D
NI*	2137156	KIT, DIFF. CARRIER OVERHAUL	QR100-1314	
1	2149391	CARRIER ASSY, DIFFERENTIAL, COMPLETE 5.29:1	B48-3200-N-1314	
2	2135903	NUT, YOKE INPUT	1227-R-902	
3	2117778	WASHER, YOKE INPUT	1229-T-1736	
4	2139848	YOKE, DRIVE	3260-Q-121	
5	2136851	SEAL ASSY., PINION OIL	A-1205-Y-1897	
6	2135051	BEARING, PINION, FWD. & REAR	72212-C	2
7	2135895	SPACER KIT, PINION BEARING	KIT 545	
8	2624427	CUP, PINION BEARING	72487	2
9	2594208	CAPSCREW, FWD. BEARING CAGE	S-2812-2	8
10	2600211	WASHER, FWD. BEARING CAGE	1229-C-1511	8
11	2135044	CAGE ASSY, PINION (INCLUDES ITEM #8)	A-3226-Z-806	
12	2135192	GEAR & PINION, MATCHED SET 5.29 RATIO	A-37376-1	
13	2599611	BEARING, PINION, REAR	1228-F-552	
14	2135077	SHIM, PINION CAGE .003 THICK	2203-C-8115	
	2135085	.005 THICK	2203-D-8116	
	2135093	.010 THICK	2203-E-8117	
15	2135028	CARRIER & CAPS ASSY.	A2-3200-N-1314	
16	2135036	CAPSCREW, DIFF. BEARING CAP	S-21238-1	4
17	2603017	WASHER, DIFF. BEARING CAP	1229-V-1556	4
18	2599728	DOWEL, DIFF. BEARING CAP	1246-D-342	4
19	2121861	NUT, THRUST SCREW LOCK	13X-41	
20	2121853	SCREW, THRUST, DRIVE GEAR	15X-1025	
21	2596898	PLUG, OIL FILL & INSPECTION	P-212	
22	2596807	COTTER PIN, ADJUSTING RING	1199-R-2176	2
23	2135168	ADJUSTING RING, DIFF. BEARING	2214-Z-208	2
24	2135143	CUP, DIFFERENTIAL BEARING	JM-716610	2
25	2135150	CONE, DIFFERENTIAL BEARING	JM-716649	2
26	4282398	CASE ASSY., DIFFERENTIAL	A31-3235-D-1174	
27	2602514	WASHER, THRUST DIFF. SIDE GEAR	1229-T-1034	2
28	2135127	GEAR, DIFF. SIDE	2234-C-783	2
29	2135135	SPIDER, DIFF.	3278-S-305	
30	2602019	WASHER, DIFFERENTIAL PINION	1229-R-1032	4
31	2599256	GEAR, DIFFERENTIAL PINION	2233-U-151	4
32	2137412	KIT, DIFFERENTIAL	KIT 326	

\*NOTE: THIS KIT CONTAINS ALL PARTS  
NECESSARY TO PERFORM BASIC  
DIFFERENTIAL CARRIER OVERHAUL

ROCKWELL STANDARD REAR AXLES  
R-125-NX-3

KEY NO.	PART NO.	DESCRIPTION	VENDOR PART NO.	QTY REQ'D
33	2135119	CAPSCREW, DIFFERENTIAL CASE	S-2826A-1	16
34	2600211	WASHER, DIFFERENTIAL CASE	1229-C-1511	16
35	2597292	RIVET, DIFF. CASE TO GEAR (OPT)	RV-71013	12
35A	4282455	BOLT, CASE TO GEAR	15-X-1626	
35A	2602712	LOCKWASHER, CARRIER TO HOUSING	1229-U-1503	
35A	2594893	NUT, CARRIER TO HOUSING	N-110-1	
36	2135796	HOUSING ASSY., AXLE	C1-3121-R-798	
37	2593150	BREATHER ASSY., AXLE HOUSING	A-1199-P-1394	
38	2596898	PLUG ASSY., HEAT INDICATOR	P-212	
39	2135002	SHAFT, AXLE, LH & RH	3202-P-8362	
40	0929083	GASKET, AXLE SHAFT	2208-X-440	
41	0929091	DOWEL, AXLE SHAFT STUD	13885	16
42	2603512	LOCKWASHER, AXLE SHAFT STUD	1229-X-518	16
43	2594893	NUT, AXLE SHAFT STUD	N-110-1	16
44	2121887	PLUG, AXLE HOUSING DRAIN (MAGNETIC)	1250-E-473	
45	2127017	GASKET, SILASTIC (3 OZ. TUBE)	EATON 107276	
46	2704666	BOLT, CARRIER TO HOUSING	S-21014-1	14
47	2602712	WASHER, CARRIER TO HOUSING	1229-U-1503	14

QUANTITY REQUIRED IS ONE UNLESS OTHERWISE SPECIFIED.

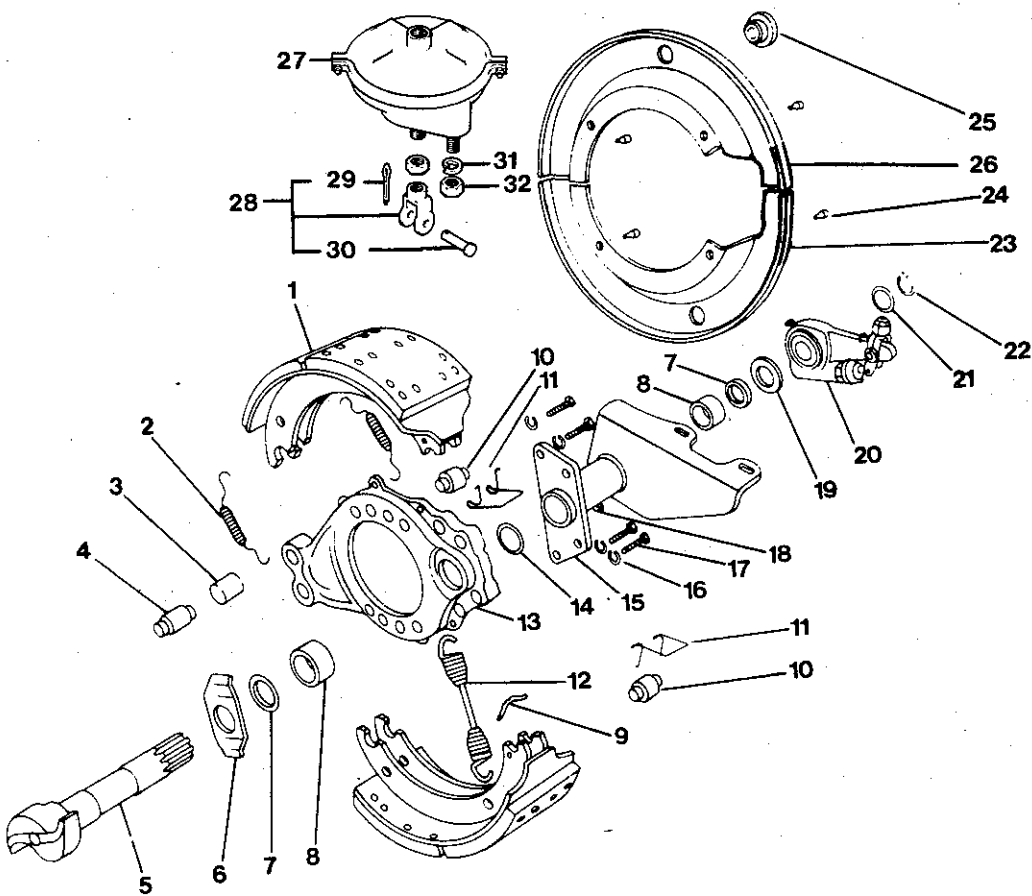


**BLUE BIRD**

# FRONT BRAKES

DR.	BY	2158541
APP.	BY	

© 1985 BLUE BIRD BODY COMPANY  
ALL RIGHTS RESERVED





FRONT BRAKES

KEY NO.	PART NO.	DESCRIPTION	VENDOR PART NO.	QTY REQ'D
1	2160505	BRAKE SHOE & LINING ASSY., 5"		4
NI	2120897	BRAKE SHOE ONLY, 5"	A-3222-E-1383	4
NI	2151439	KIT, BRAKE LINING (1 PER AXLE)		
NI	2135978	RIVET, BRAKE LINING	10-9	64
2	2120863	SPRING, BRAKE SHOE RETAINING	2258-Q-615	4
3	2120889	BUSHING, ANCHOR PIN	1225-B-496	2
4	2120871	ANCHOR PIN, BRAKE SHOE	1259-N-274	2
5		CAMSHAFT, FRONT BRAKE		
	2121606	LH	2210-R-5374	
	2121614	RH	2210-Q-5373	
6	2121622	WASHER, CAMHEAD, (FLAT)	1229-N-2250	2
7	2121689	SEAL, CAMSHAFT	A-1205-V-1556	4
8	2597706	BUSHING, CAMSHAFT SPIDER & BRKT.	1225-N-378	4
9	2597300	PIN, BRAKE SHOE RETURN SPRING	1218-G-85	4
10	2598134	ROLLER, BRAKE SHOE	1779-R-18	4
11	2121655	RETAINER, SHOE ROLLER	3105-B-210	4
12	2638716	RETURN SPRING, BRAKE SHOE	2258-U-619	2
13		SPIDER, BRAKE		
	2136935	LH	A-3211-H-4428	
	2157923	RH	A-3211-J-4430	
14	2644235	GASKET, CHAMBER BRKT.	1779-J-1024	2
15		BRACKET, CAMSHAFT & CHAMBER		
	2136927	LH	B21-3299-K-2013	
	2157931	RH	B21-3299-L-2014	
16	2595809	WASHER, BRKT. CAPSCREW	WA-18	8
17	2594109	CAPSCREW, CHAMBER BRKT.	S-2812	8
18	2027431	FITTING, GREASE	1199-N-1860	2
19	2121663	WASHER, CAMSHAFT (THICK)	1229-S-2697	2
20		SLACK ADJUSTER ASSY.		
	4293742	RH	A2-3275-A-5993	
	4293734	LH	A2-3275-U-593S	
NI	1032473	COLLAR, AUTOMATIC SLACK		
21	2121671	WASHER SPACING (STANDARD)	1229-G-2971	6
22	2121697	LOCKRING, CAMSHAFT	1229-D-2942	2
23	0885962	SHIELD, DUST, FRONT, BOTTOM LH, TOP RH		
24		CAPSCREW, DUSTSHIELD		
25		PLUG, DUSTSHIELD		
26	0885962	SHIELD, DUST, FRONT, BOTTOM LH, TOP RH		
27	1366491	BRAKE CHAMBER, 24"	14301190	
28	2137685	YOKE, BRAKE CHAMBER PUSH ROD	A-1245-E-395	

QUANTITY REQUIRED IS ONE UNLESS OTHERWISE SPECIFIED.

FRONT BRAKES

KEY NO.	PART NO.	DESCRIPTION	VENDOR PART NO.	QTY REQ'D
29		NOT APPLICABLE		
30		NOT APPLICABLE		
31	2595601	LOCKWASHER, BRAKE CHAMBER	WA-110	
32	2001501	NUT, BRAKE CHAMBER STUD		

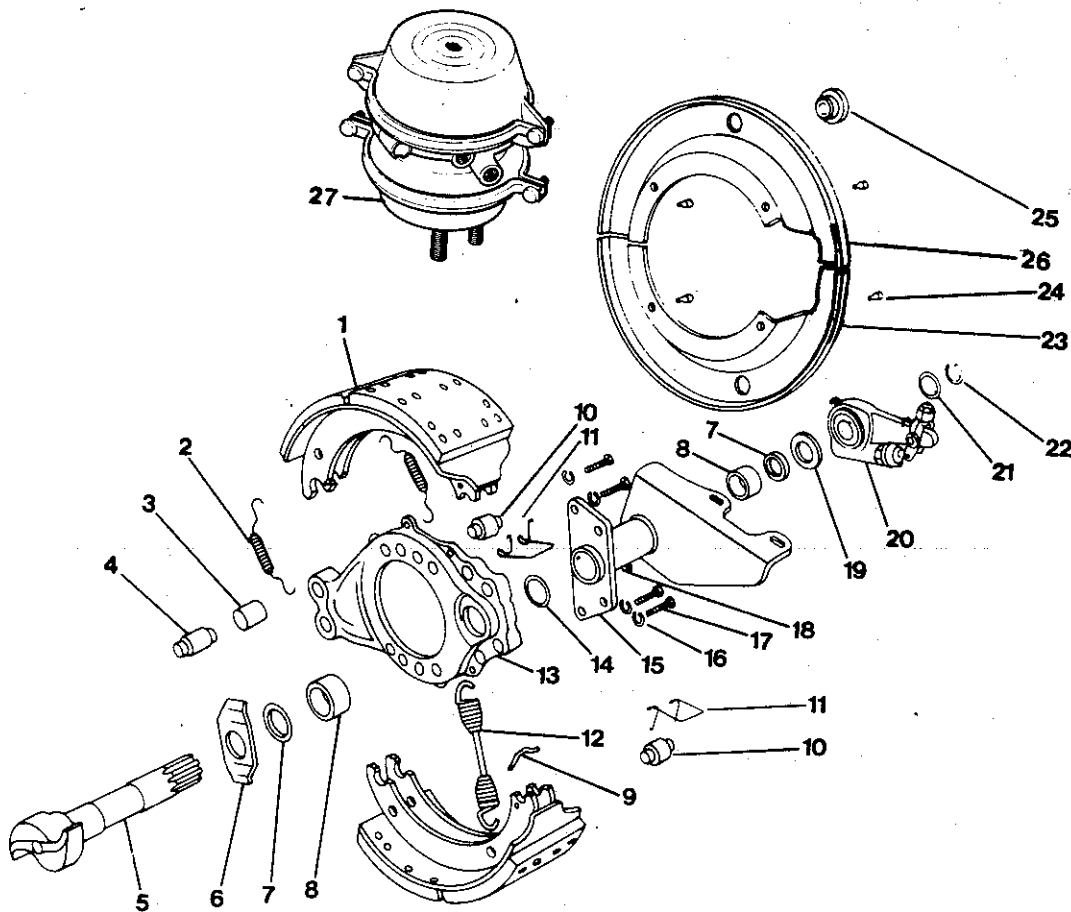


**BLUE BIRD**

# REAR BRAKES DRIVE AXLE

DR.	BY	2158558
APP.	BY	

© 1985 BLUE BIRD BODY COMPANY  
ALL RIGHTS RESERVED

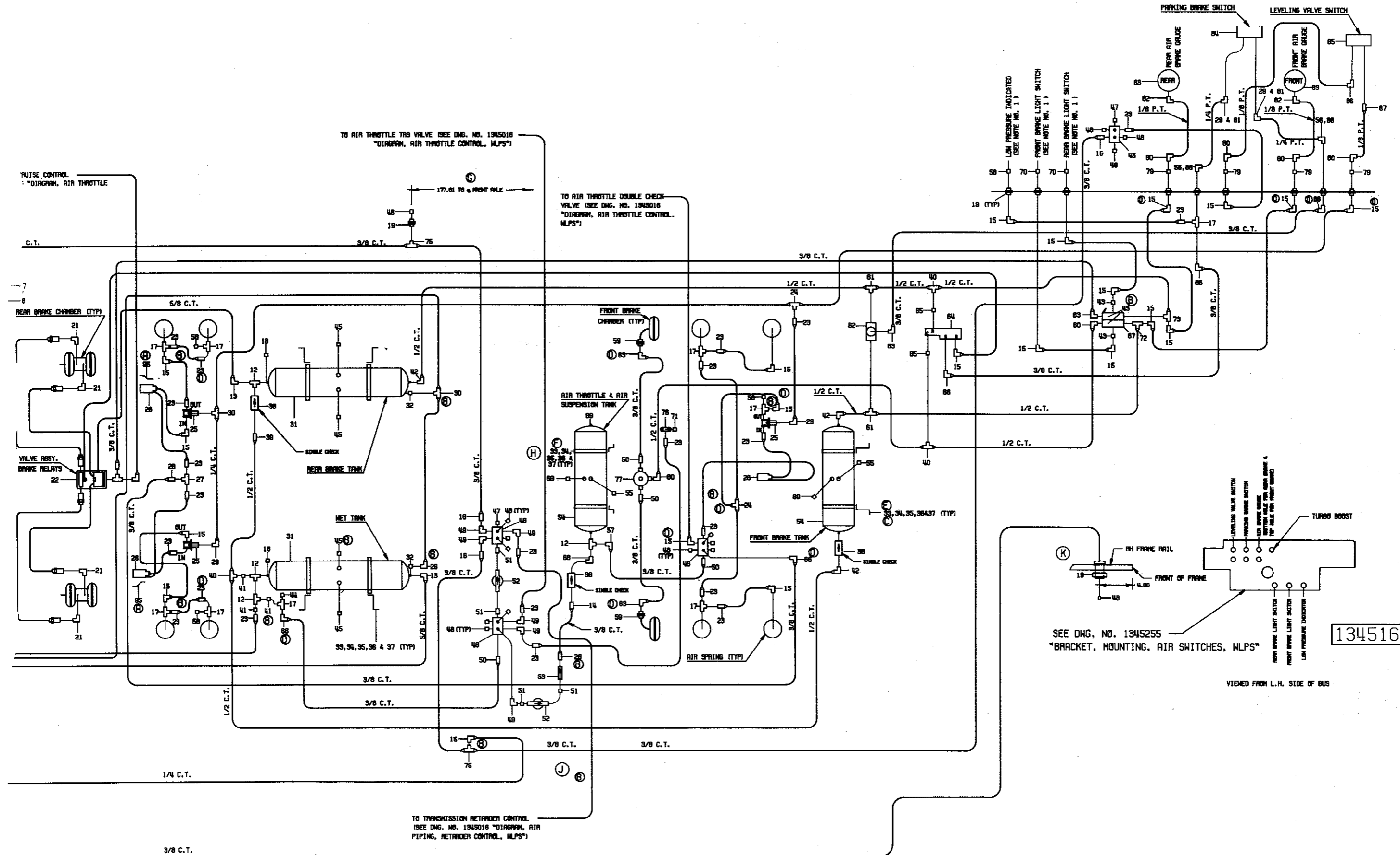


REAR BRAKES  
DRIVE AXLE

KEY NO.	PART NO.	DESCRIPTION	VENDOR PART NO.	QTY REQ'D
1	2160489	BRAKE SHOE & LINING ASSY., 7"	A57-3222-S-1293	4
NI	2120905	BRAKE SHOE ONLY, 7"	A-3222-S-1293	4
NI	2151454	KIT, BRAKE LINING, 7"(1 PER AXLE)		
NI	2135978	RIVET, BRAKE LINING	10-9	64
2	2120863	SPRING BRAKE SHOE RETAINING	2258-Q-615	4
3	2120889	BUSHING, ANCHOR PIN	1225-B-496	2
4	2120871	ANCHOR PIN, BRAKE SHOE	1259-N-274	2
5		CAMSHAFT, BRAKE		
	2152338	LH	2210-A-6189S	
	2152320	RH	2210-Z-6188S	
6	2121622	WASHER, CAMHEAD, (FLAT)	1229-N-2250	2
7	2121689	SEAL, CAMSHAFT	A-1205-V-1556	4
8	2597706	BUSHING, CAMSHAFT SPIDER & BRKT.	1225-N-378	
9	2597300	PIN, BRAKE SHOE RETURN SPRING	1218-G-85	
10	2598134	ROLLER, BRAKE SHOE	1779-R-18	4
11	2121655	RETAINER, SHOE ROLLER	3105-B-210	4
12	2638716	RETURN SPRING, BRAKE SHOE	2258-U-619	2
13		SPIDER, BRAKE		
	4282919	LH	A-3311-W-3897	
	4282869	RH	A-3211-X-3898	
14	2644235	GASKET, CHAMBER BRACKET	1779-J-1024	2
15		BRACKET, CAMSHAFT & CHAMBER		
	4282885	LH	A3-3299-L-6148	
	4282877	RH	A1-3299-L-6148	
16	2595809	WASHER, BRACKET CAPSCREW	WA-18	8
17	2594109	CAPSCREW, CHAMBER BRKT.	S-2812	8
18	4280848	FITTING, GREASE	1898-R-720	2
19	2121663	WASHER, CAMSHAFT, (THICK)	1229-S-2697	2
20		SLACK ADJUSTER ASSY.		
	4282893	LH	A10-3275-C-595S	
	4282901	RH	A10-3275-C-601S	
21	2121671	WASHER, SPACING	1229-G-2971	6
22	2121697	LOCKRING, CAMSHAFT	1229-D-2942	2
23		N/A		
24		N/A		
25		N/A		
26		N/A		
27		AIR CHAMBER ASSY., 30" ANCHORLOK		
	1366525	RH		
	1366533	LH		

QUANTITY REQUIRED IS ONE UNLESS OTHERWISE SPECIFIED.

# DUAL AIR BRAKE ASSY., DIAGRAM



1345164

SEE DNG. NO. 1345255  
"BRACKET, MOUNTING, AIR SWITCHES, WLPS"

VIEWED FROM L.H. SIDE OF BUS

DUAL AIR BRAKE ASSY., DIAGRAM

KEY NO.	PART NO.	DESCRIPTION	QTY REQ'D
1	0853226	AIR COMPRESSOR, 12 CFM	
2	0908160	GOVERNOR, AIR COMPRESSOR	
NI	2644201	KIT, REPAIR, GOVERNOR	
3	1310721	AIR DRYER, AD-4	
NI	2157022	VALVE, SAFETY-AD4	
NI	2156859	VALVE, PURGE AD-4	
NI	2156842	CARTRIDGE, DESICCANT REPLACEMENT KIT	
4	2026706	ELBOW, 1/2 MPT X 5/8 TUBE, FLARE	
5	1024975	HOSE ASSY., AIR COMPRESSOR, DISCHARGE, 30" LONG	
6	2055846	NUT	
7	2026979	ELBOW, MALE, INVERTED FLARE, 1/4 TUBE X 1/8	2
8	1313816	INSERT, BARBED SWIVEL, .25 HOSE X .25 MPT	2
9	1313741	HOSE, .25 ID X .50 OD	36"
10	1313790	INSERT, BARBED, STRAIGHT, .25 HOSE X .25 TUBE	2
11	2052736	UNION, TUBE, 1/4"	2
12	0654350	TEE, 1/2 PIPE, STREET	6
13	0754879	ELBOW, 1/2 MALE PIPE X 5/8 TUBE	3
14	0654558	CONNECTOR, 1/2 MALE PIPE X 3/8 TUBE	2
15	2023935	ELBOW, 1/4 MPT X 1/4 TUBE	22
16	2023182	CONNECTOR, 1/4 MPT X 3/8 TUBE	5
17	0654277	TEE, STREET, 1/4 PIPE	10
18	2023513	PLUG, PIPE, 1/4	2
19	2023232	COUPLING, ANCHOR	13
20	0818609	VALVE, SCHRADER, 1/4 MPT	
21	2027241	ELBOW, 3/8 STREET	4
22	1345206	VALVE ASSY., SPRING & SERVICE BRAKE RELAY	
NI	1220128	VALVE ONLY, SPRING BRAKE	
NI	2160778	REPAIR KIT, SPRING BRAKE VALVE	
NI	1066679	VALVE ONLY, SERVICE BRAKE	
NI	2135721	REPAIR KIT, SERVICE BRAKE VALVE	
23	2023224	CONNECTOR, 1/4 MPT X 1/4 TUBE	26
24	2008381	TEE, 1/4"	2
25	0982280	VALVE, RELAY, PILOT CONTROL	3
26	0871376	VALVE, HEIGHT CONTROL	3
27	0559047	TEE, MALE, BRANCH, 1/4 PIPE	
28	2023257	CONNECTOR, 1/4 FPT X 3/8 TUBE	2
30	0982272	TEE, 1/8 MPT X 1/4 TUBE X 1/4 TUBE	2
31	1345263	RESERVOIR, AIR, 2072 CUBE INCH	2
32	0984450	VALVE, THERMO EXPELLO	2
33	1095306	SPACER, AIR RESERVOIR BRACKET	8
34	0850578	BRACKET, MOUNTING, 8, AIR RESERVOIR	16
35	0969873	BOLT, HEX, 3/8-16 X 6 LONG, NC, CAD PLTD	8
36	0882795	LOCKWASHER, 3/8", CAD. PLTD.	8
37	2001451	NUT, HEX, 3/8-16, CAD.	8
38	0654418	VALVE, SINGLE CHECK, 1/2 PIPE	4
39	2023380	CONNECTOR, 1/2 MPT X 1/2 TUBE	
40	2023505	TEE, 1/4 FPT X 1/2 TUBE X 1/2 TUBE	3
41	2027159	BUSHING, PIPE, 1/4 X 1/2	3

QUANTITY REQUIRED IS ONE UNLESS OTHERWISE SPECIFIED.

DUAL AIR BRAKE ASSY., DIAGRAM

KEY NO.	PART NO.	DESCRIPTION	QTY REQ'D
42	2023349	ELBOW, 1/2 MPT X 1/2 TUBE	3
43	2027134	BUSHING, PIPE, 3/8 X 1/4	2
44	0839019	VALVE, SAFETY, 1/4" PIPE	2
45	1354869	PLUG, PIPE, 3/8 ALLEN HEAD	6
46	2023083	FITTING, MANIFOLD	4
47	2009595	PLUG, PIPE, 3/8	2
48	2023513	PLUG, PIPE, 1/4	18
49	2027233	ELBOW, 1/4 STREET	6
50	2023240	CONNECTOR, 3/8 MPT X 3/8 TUBE	4
51	2027183	NIPPLE, 3326 X 4 1/4, CLOSE	6
52	0522508	VALVE, PRESSURE, PROTECTION, 65 PSI	2
53	0962183	FILTER, AIR, RIDEWELL SUSPENSION	
54	0754929	RESERVOIR, AIR, 1240 CUBE INCH	2
55	1110188	COCK, RESERVOIR DRAIN	2
56	1354430	BUTTON, MANUAL RELEASE 1/4 TUBE	2
57	2023414	ELBOW, 1/2 MPT X 3/8 TUBE	2
58	0982918	INDICATOR, LOW PRESSURE	4
59	0758698	COUPLING, ANCHOR	2
60	2023307	ELBOW, 3/8 MPT X 1/2 TUBE	2
61	0556878	TEE, 3/8 MALE PIPE X 1/2 TUBE X 1/2 TUBE	2
62	0654434	VALVE, DOUBLE CHECK, 3/8 PIPE	
63	2023265	ELBOW, 3/8 MPT X 3/8 TUBE	4
64	0654426	VALVE, SPRING BRAKE	
NI	2705044	KIT, REPAIR, SPRING BRAKE VALVE	
65	2009330	NIPPLE, 1/4 PIPE X 2" LONG (STEEL)	2
66	2023190	ELBOW, 1/4 MPT X 3/8 TUBE	5
67	0654533	VALVE, TREADLE, DUAL BRAKE	
NI	2643237	REPAIR KIT, TREADLE VALVE	
68	2008274	ELBOW, 90 DEGREE, STREET	2
69	1354877	PLUG, PIPE, 1/2 ALLEN HEAD	3
70	0998740	SWITCH, STOP LIGHT	2
71	1507631	INDICATOR, LOW PRESSURE, 60 PSI	
72	0654319	TEE, 1/4 FP X 3/8 MP X 1/2 TUBE	
73	0948919	TEE, 1/4 FPT X 3/8 MPT X 1/2 TUBE	
75	0756817	TEE, 1/4 MALE PIPE X 3/8 TUBE X 3/8 TUBE	3
76	1153303	ELBOW, ANCHOR, 1/4 FPT, 90 DEGREE'S	3
77	1160464	VALVE, QUICK RELEAsE	
78	1310739	BRACKET, MOUNTING, AIR DRYER & RACOR FUEL FILTER	
79	2008050	BUSHING, PIPE, 1/8 X 1/4	4
80	3827342	ELBOW, MALE 90 DEGREES, 1/8 NPTF X 1/8 TUBE	4
81	0654970	INSERT, HYTRON TUBING, 1/4 O.D., .040 WALL	2
82		NOT APPLICABLE	
83		NOT APPLICABLE	
84		NOT APPLICABLE	
85		NOT APPLICABLE	
86		NOT APPLICABLE	
87		NOT APPLICABLE	
88	1354422	ELBOW, 90 DEG., 1/4 TUBE X 1/4 NPT	2

QUANTITY REQUIRED IS ONE UNLESS OTHERWISE SPECIFIED.




DUAL AIR BRAKE ASSY., DIAGRAM

KEY NO.	PART NO.	DESCRIPTION	QTY REQ'D
89	2008431	TUBING, COPPER, 1/4"	
90	2027381	TUBING, COPPER, 3/8, TYPE L	
91	2027399	TUBING, COPPER, 1/2, TYPE L	
92	2027407	TUBING, COPPER, 5/8, TYPE L	
93	0654962	TUBING, PLASTIC, 1/4 O.D., BLACK	
94	1004621	TUBING, NYLON, 1/8 O.D.	
95	1353473	BRACKET, SUPPORT, LEVELING VALVE, REAR SUSPENSION	2
98	2023356	CONNECTOR, 1/2 MPT X 5/8 TUBE	
99	1164870	VALVE,CHECK, 1/8 PIPE	
100	2023570	CONNECTOR, 1/8 MPT X 1/4	
101	0654301	ELBOW, 1/8 MPT X 3/8	
102	0605188	ELBOW, STREET, 1/8 MPT X 1/4 FPT	
103	2051381	NIPPLE, BRASS 1/8 CLOSE	
104	2023364	CONNECTOR, 3/8 X 1/2"	
105	0392308	CHECK VALVE	

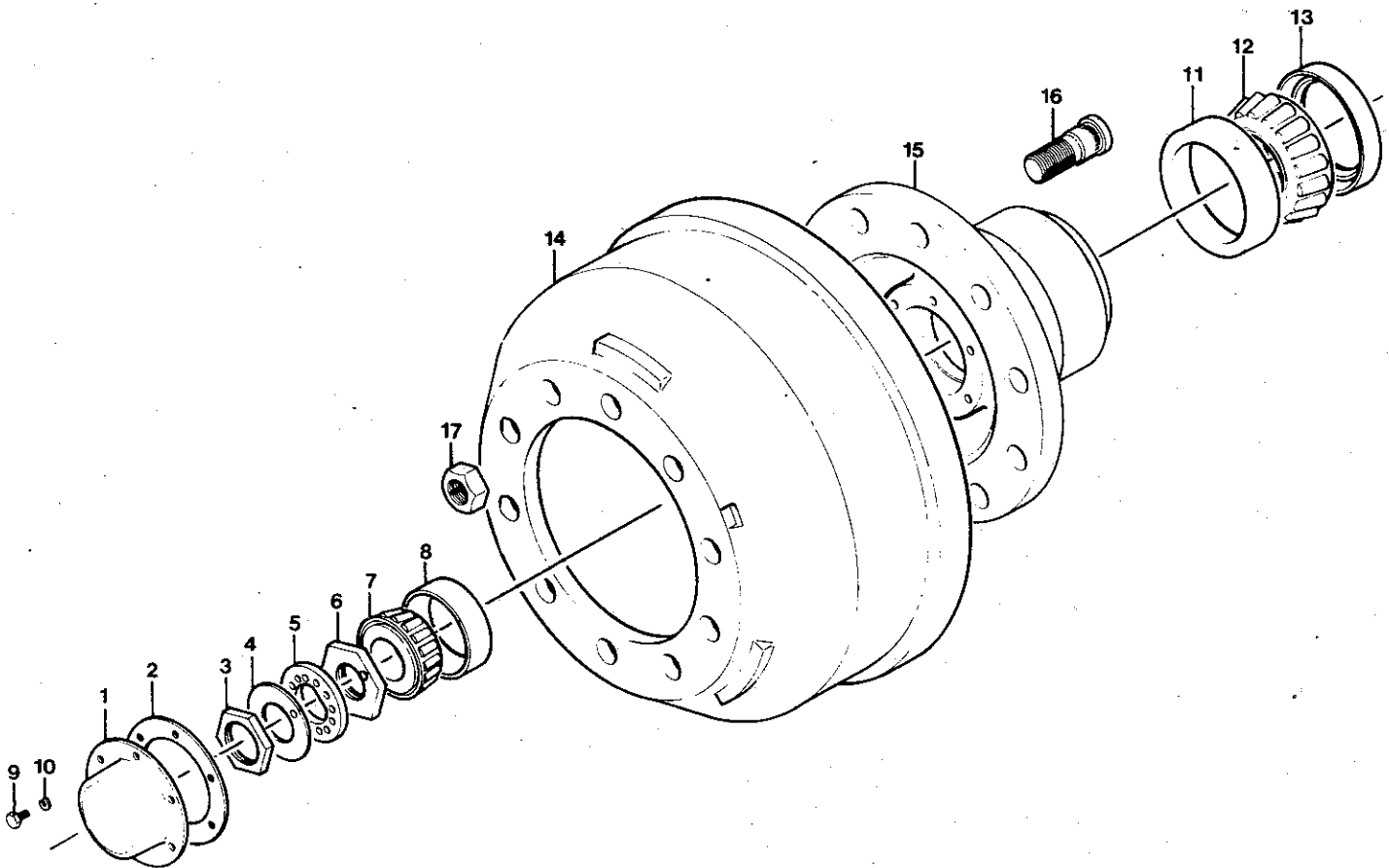
QUANTITY REQUIRED IS ONE UNLESS OTHERWISE SPECIFIED.

# WHEEL END COMPONENTS, FRONT

	DR. LC 29	BY <i>hoveu</i>	8004954
	APP.	BY	

FRONT

© 1985 BLUE BIRD BODY COMPANY  
ALL RIGHTS RESERVED 



WHEEL END COMPONENTS, FRONT

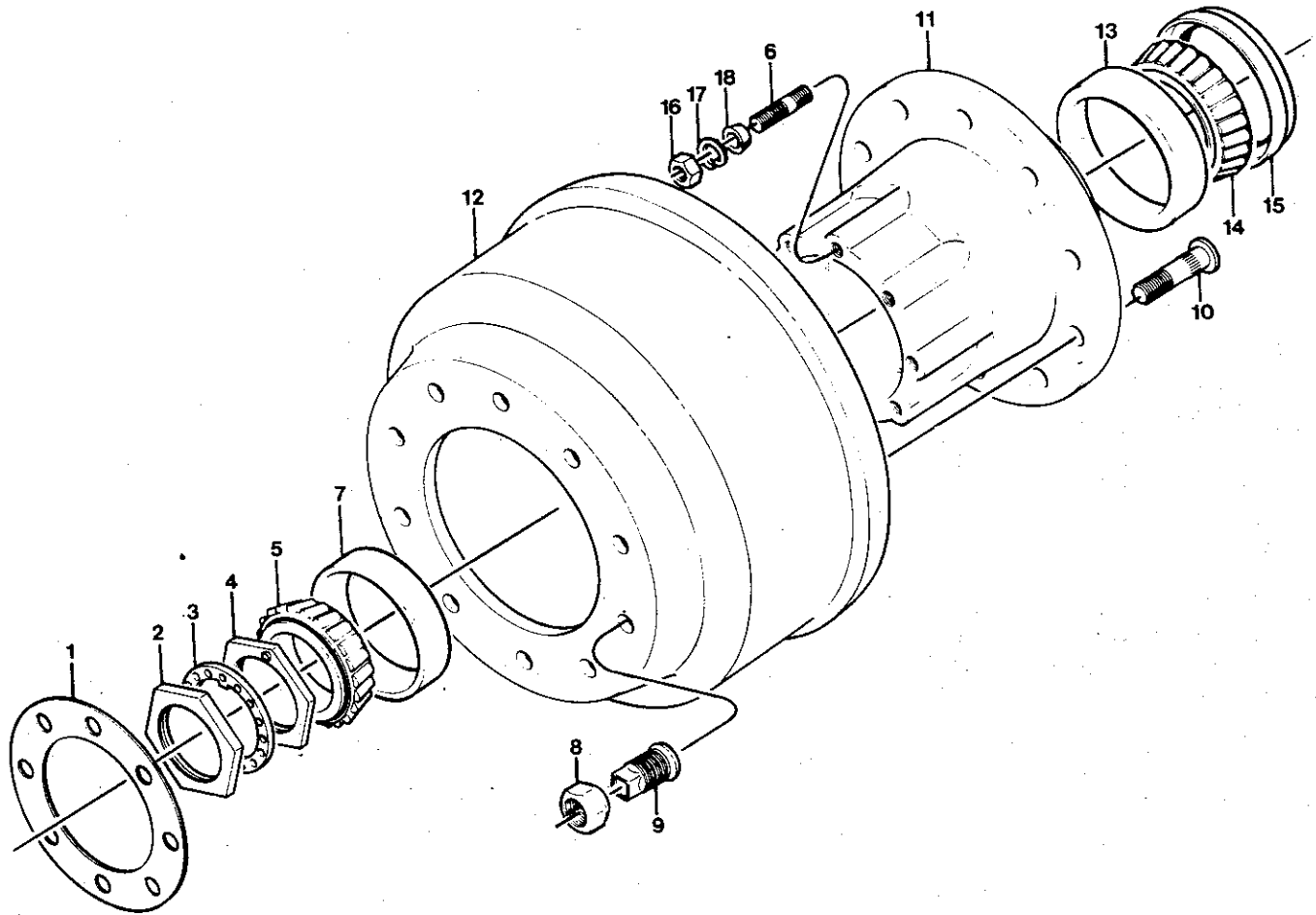
KEY NO.	PART NO.	DESCRIPTION	VENDOR PART NO.	QTY REQ'D
1	0998534	HUB CAP, FRONT	340-4095	
NI	2150209	SIGHT, GLASS, HUB		
NI	2137008	PLUG, SIGHT GLASS		
2	0998484	GASKET, FRONT HUB CAP	330-3009	
3	2598217	JAM NUT, OUTER WHEEL BEARING	1227-B-106	
4	2600617	LOCK, OUTER WHEEL BEARING	1229-F-474	
5	2600815	LOCKING, OUTER WHEEL BEARING NUT	1229-G-475	
6	2599017	ADJUSTING NUT, WHEEL BEARING	1227-U-541	
7	0929414	BEARING ASSY., OUTER	3782	
8	2600179	CUP, OUTER BEARING	3720	
9	0654459	CAPSCREW, HUB CAP		6
10	2001188	LOCKWASHER, HUB CAP CAPSCREW		6
11	2593093	CUP, INNER BEARING	HM-212011	
12	0929406	BEARING ASSY., INNER	HM-212049	
13	1391572	SEAL, WHEEL BEARING, INNER		
14	1117365	DRUM, BRAKE		
15	1511898	HUB & CUP ASSY., STD.	1521F-N	
16		STUDS, LUG		
	1346758	LH	UF-835L	10
	1346741	RH	UF-835R	10
17		NUT, LUG		
	1311729	LH	1199-M-117	10
	1311711	RH	1199-N-118	10
NI	3978467	HUB COVER, CHROME		
NI	3978475	NUT COVER, CHROME		
NI	1282862	ALUMINUM WHEEL		
QUANTITIES ARE PER WHEEL				

# WHEEL END COMPONENTS, REAR DRIVE AXLE

DR. FILLS IN BY <i>Andrew</i>	8004962
APP. BY	

FRONT

© 1985 BLUE BIRD BODY COMPANY  
ALL RIGHTS RESERVED



WHEEL END COMPONENTS, REAR  
DRIVE AXLE

KEY NO.	PART NO.	DESCRIPTION	VENDOR PART NO.	QTY REQ'D
1	0929083	GASKET, AXLE FLANGE	2208-X-440	
2	2598613	NUT, WHEEL BEARING, OUTER	1227-R-330	
3	2647238	WASHER, LOCK, WHEEL BEARING NUT	1229-U-1009	
4	2599215	NUT, WHEEL BEARING, INNER	1227-W-517	
5	0929059	WHEEL BEARING (OUTER)	580	
6	2138584	STUD, AXLE SHAFT DRIVE	161832	8
7	2621571	CUP, OUTER WHEEL BEARING	572	
8		NUT, WHEEL STUD, OUTER		10
	1311729	LH	1199-M-117	
	1311711	RH	1199-N-118	
9		NUT, WHEEL STUD, INNER		10
	1311745	LH		
	1311737	RH		
10		STUD, WHEEL		10
	1296227	LH	195L	
	1296219	RH	195R	
11	1147024	HUB & CUP ASSY.	16227-N	
12	1117340	BRAKE DRUM		
13	2621779	CUP, WHEEL BEARING (INNER)	592-A	
14	0929042	WHEEL BEARING (INNER)	594-A	
15	0929067	OIL SEAL, WHEEL BEARING (INNER)	47697-S	
16	0929000	NUT, AXLE SHAFT DRIVE STUD		8
17	2001220	LOCKWASHER, AXLE SHAFT DRIVE STUD		8
18	0929091	DOWEL, AXLE SHAFT DRIVE STUD	13885	8
NI	3978459	HUB COVER, CHROME		
NI	3978475	NUT, COVER, CHROME		5
NI	1282862	ALUMINUM WHEEL		
NI	1139542	VALVE STEM EXTENSION		2

NOTE: QUANTITIES ARE PER WHEEL



COOLING SYSTEM

KEY NO.	PART NO.	DESCRIPTION	QTY REQ'D
1	1405760	RADIATOR, BLACKSTONE	
2	1376284	SHROUD ASSY.	
3	2009082	BUSHING, PIPE, 3/4 X 1	
4	1376797	FRAME ASSY., RADIATOR, SWINGOUT	
5	1376771	ANGLE ASSY., DEAERATION TANK MOUNTING	
6	1366350	TANK ASSY., DEAERATION, 5.00 OD X 29.00	
7	0522052	CAP, RADIATOR, PRESSURE, 7 PSI	
8	1367986	NECK ASSY., FILL, REMOTE, DEAERATION TANK	
9	1143866	HOSE, HEATER, 1" ID, SILICON	40"
NI	1059278	SPLINT, 1" HOSE 90 DEGREES (USE W/ITEM 9)	
10	1146877	BULB WITH O-RING SAFETY SIGHT	
11	1332931	BRACKET ASSY., TUBE SUPPORT, LH	
12	1343540	BRACKET ASSY., TUBE SUPPORT, RH	
13	1324664	HOSE, RADIATOR, FLEXIBLE, GATES 2.00 X 2.50	
14	1369255	TUBE, TRANSMISSION COOLING * 298.88	2
15	1332915	TUBE, TRANSMISSION COOLING, CONNECTOR, LH 255.77	
16	1332923	TUBE, TRANSMISSION COOLING, Y-CONNECTOR - 287.67	
17	1332907	TUBE, TRANSMISSION COOLING, CONNECTOR, RH - 271.57	
18	1269323	HOSE, LOWER RADIATOR CONNECTOR, SILICON	
19	1151703	HOSE, RADIATOR, 2" ID X 33	
20	1343847	ELBOW, 2.00 ID X 45 DEGREE	
21	1137256	ELBOW, 2" ID., SILICON	3
22	0763904	CONNECTOR, RADIATOR, HOSE, 2.00 X 4.00 LONG	
23	1327428	ISOLATOR, RUBBER, LORD	7
24	2028363	BOLT, HEX HD 3/8-16 X 1 1/4, GR. 5	7
25	0958504	WASHER, FLAT, 1 1/2 X 3/4 X 1/16 THK	14
26	1328632	WASHER, FLAT	7
27	0839027	NUT, HEX, 3/8-16, GR. 8	7
28	2001220	LOCKWASHER, 5/8	4
29	1343623	BOLT, HEX, M 16-1.5 X .30 CL	4
30	0805176	U-BOLT, 2 1/2	3
31	0805184	SADDLE, 2 1/2"	3
32	2009322	NIPPLE, PIPE, 1/4 X CLOSE	
33	2009611	TEE PIPE, 1/4	
34	1119700	ADAPTER, SWIVEL, MALE PIPE	2
35	2026987	ELBOW, 400 X 6, 1/4 MPT X 3/8 IF	
36	0965509	SENDER, LOW WATER LEVEL	
37	1059278	SPLINT, 1" HOSE	
38	0870303	HOSE ASSY.	2
39	2027159	BUSHING PIPE, 1/2 X 1/4	2
40	2027233	ELBOW, 3400 X 4, 1/4 STREET	2
41	1343532	SEAL, SIDE LIP, UNI-GRIP	3
42	1149376	SEAL, RUBBER, ENGINE COVER FRT.	6
43	1068501	SEAL, RUBBER, A/C HOOD TRIM	9
44	1216597	ADAPTER, HEATER, 3/4 PIPE X 1 HOSE	
45	1216613	ELBOW, STREET, 1/2 X 45 DEG.	2
46	1402460	CLOSEOUT ASSY., FRAME, RADIATOR	
47	0870378	HOSE, RADIATOR, 1 3/4 ID X 1 FT.	6"
48	0964932	HOSE, RADIATOR, 2 1/4"	16"

QUANTITY REQUIRED IS ONE UNLESS OTHERWISE SPECIFIED.

COOLING SYSTEM

KEY NO.	PART NO.	DESCRIPTION	QTY REQ'D
49	1163435	HOSE, RADIATOR, SILICON, 2" ID	6"
50	1330778	HOSE, RADIATOR, FORMED, 2.25 X 2.50	
51	1392323	PLATE, AIR COOLER MOUNTING	
52	1332972	BRACKET, MOUNTING, AIR COOLER	2
53	1396191	TEE, RADIATOR CONNECTOR, 2.00 OD X 2.25 OD	
54	2020667	COCK, 140, RADIATOR DRAIN	
NI	0870345	CLAMP, HOSE, 1"	2
NI	1167709	CLAMP, HOSE, LINED, 2" (FOR USE W/ITEM #47)	2
NI	0964940	CLAMP, HOSE, LINED, 2 1/2"	
NI	1106871	CLAMP, HOSE, LINED, 3"	4

QUANTITY REQUIRED IS ONE UNLESS OTHERWISE SPECIFIED.



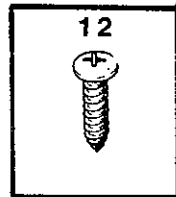
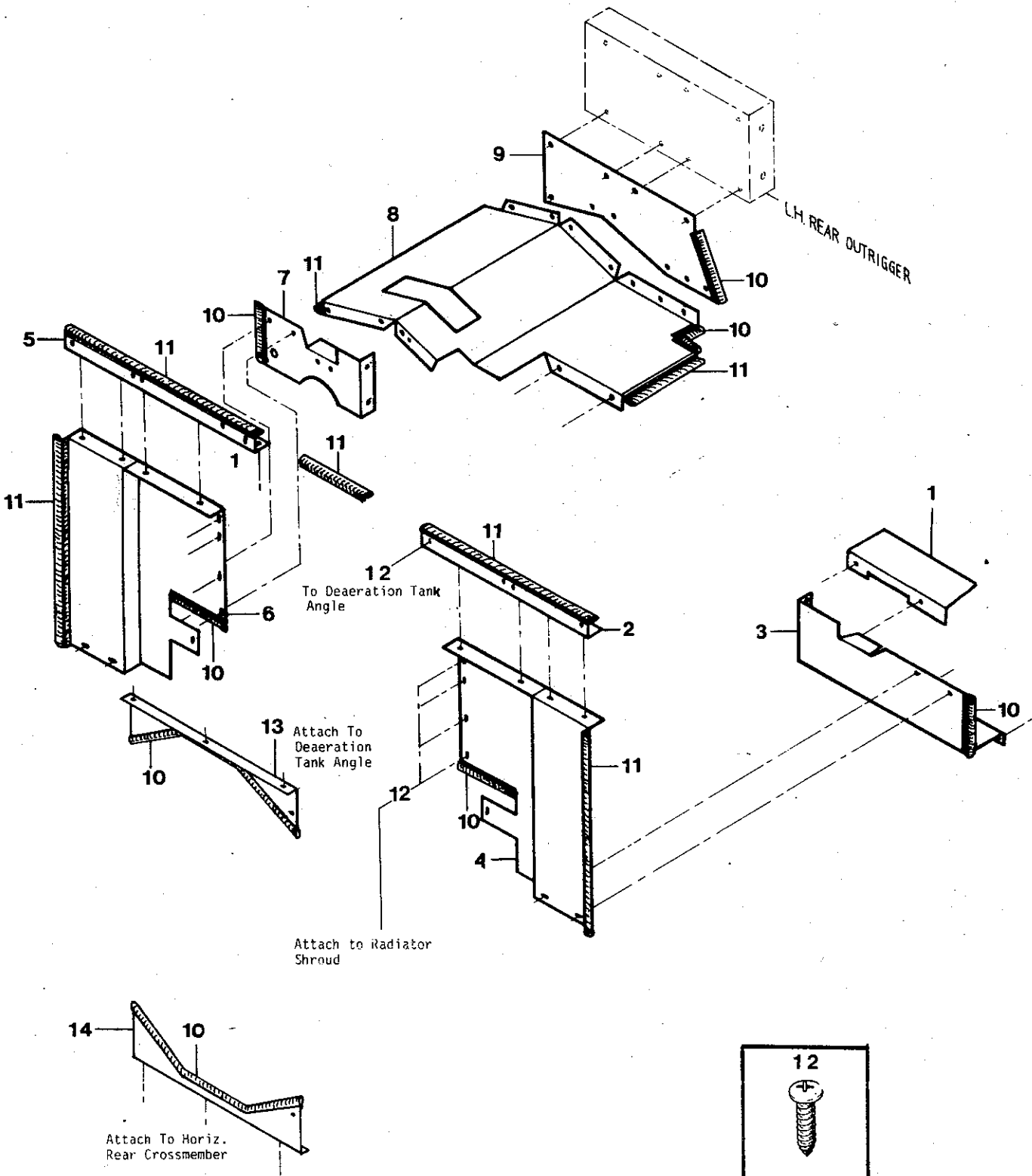


**BLUE BIRD**

# BAFFLE INSTALLATION COOLING SYSTEM

DR. BY	FRT	REV
APP 7-18-88 BY		

© 1988 BLUE BIRD BODY COMPANY ALL RIGHTS RESERVED



BAFFLE INSTALLATION COOLING SYSTEM

KEY NO.	PART NO.	DESCRIPTION	QTY REQ'D
1	1401892	BAFFLE, BOTTOM, RH	
2	1395888	BAFFLE, ANGLE, RH	
3	1343730	BAFFLE, BOTTOM, REAR, RH	
4	1343789	BAFFLE, REAR, RH	
5	1343714	BAFFLE, ANGLE, LH	
6	1343771	BAFFLE, REAR, LH	
7	1343722	BAFFLE, BOTTOM, REAR, LH	
8	1445964	BAFFLE, BOTTOM, LH	
9	1343797	BAFFLE, FRONT, LH	
10	1068501	SEAL, RUBBER, A/C HOOD TRIM	9'
11	1343532	SEAL, SLIDE LIP, UNI-GRIP	25'
NI	1167808	SCREW, 14 X 3/4, PH PAN	18
13	1402346	BAFFLE ASSY., AIR COOLER, UPPER	
14	1402338	BAFFLE ASSY., AIR COOLER, LOWER	

QUANTITY REQUIRED IS ONE UNLESS OTHERWISE SPECIFIED.

REVISED 11-27-90

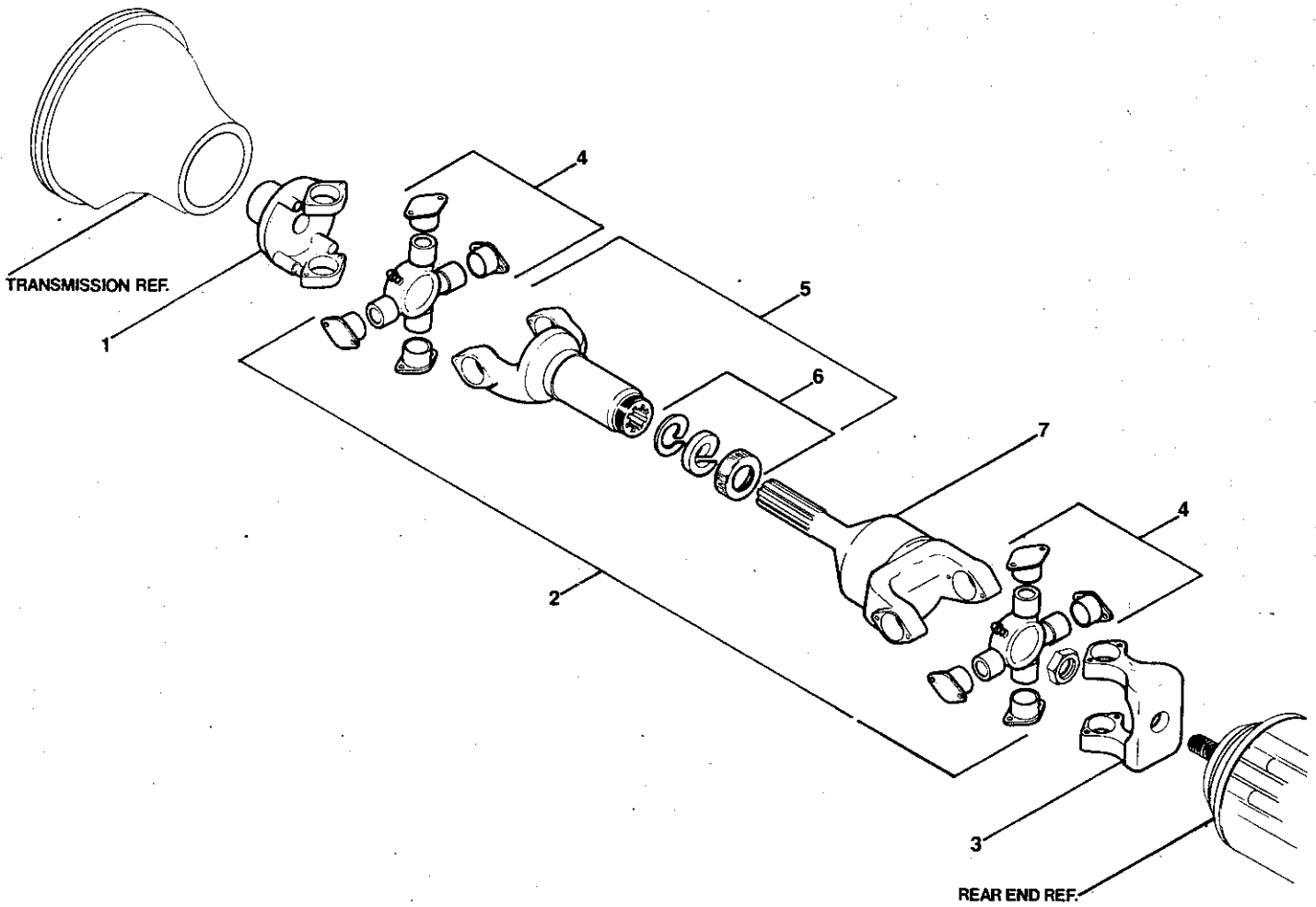
2192P

29

# DRIVELINE

DR. 7/26/82	BY JRW	8000663
APP.	BY	

© 1983 BLUE BIRD BODY COMPANY  
ALL RIGHTS RESERVED

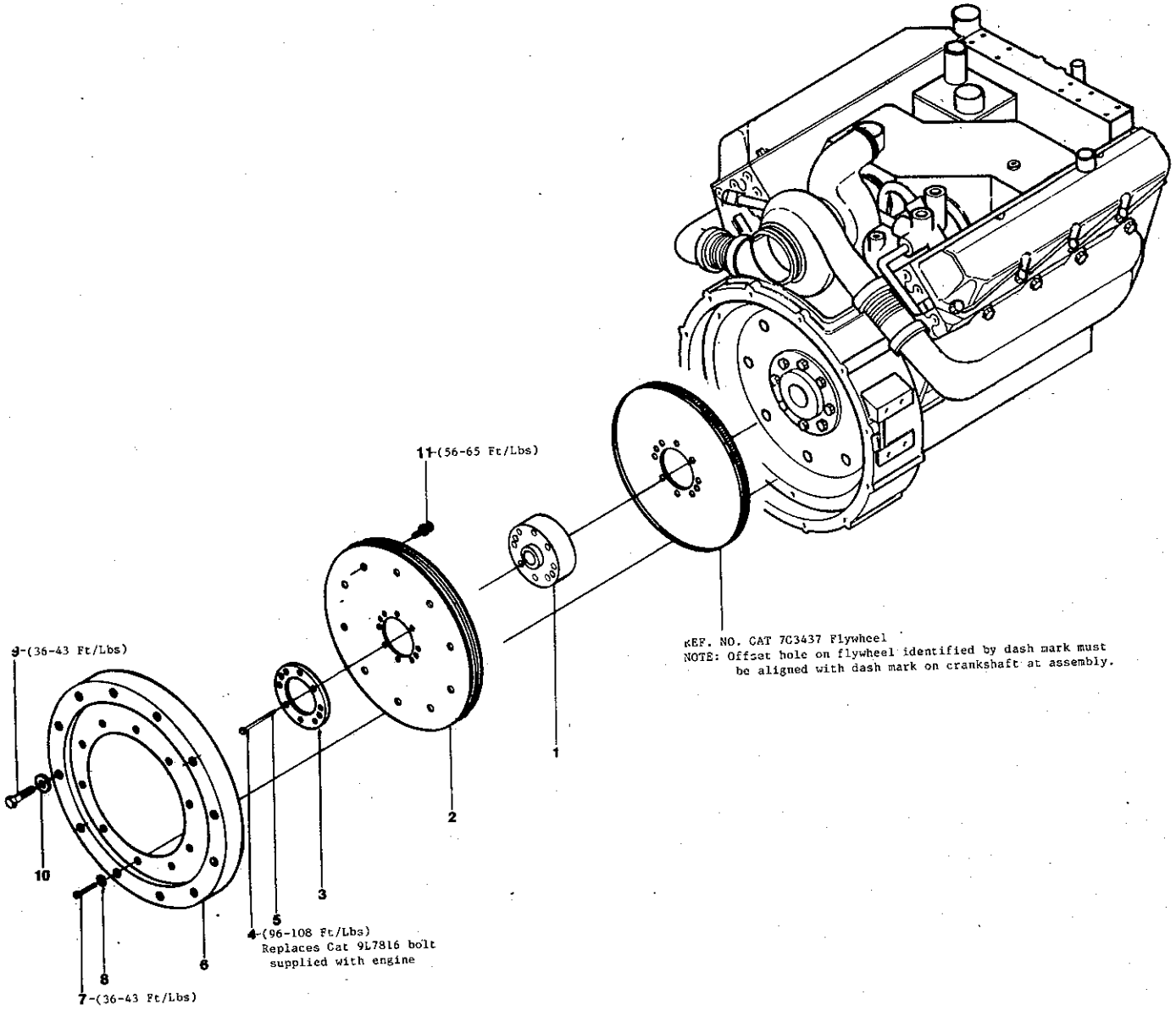


DRIVELINE

KEY NO.	PART NO.	DESCRIPTION	QTY REQ'D
1	4288197	YOKE, END TRANS.	
2	1329523	DRIVESHAFT	
3	2139848	YOKE, AXLE END	
4	1121565	KIT, CROSS BEARING	
5	1121573	SLEEVE, SLIP YOKE, (INCLUDES ITEM 6)	
6	1160829	KIT, DUST CAP & WASHER	
NI	0992610	GUARD, PROPELLER SHAFT	
NI	2027431	FITTING, GREASE 1/8 MPT	
7		NOT AVAILABLE SEPARATELY	

QUANTITY REQUIRED IS ONE UNLESS OTHERWISE SPECIFIED.

ENGINE TRIM  
 TRIM KIT, CAT. 3208 TZ, 300 HP  
 1 OF 3



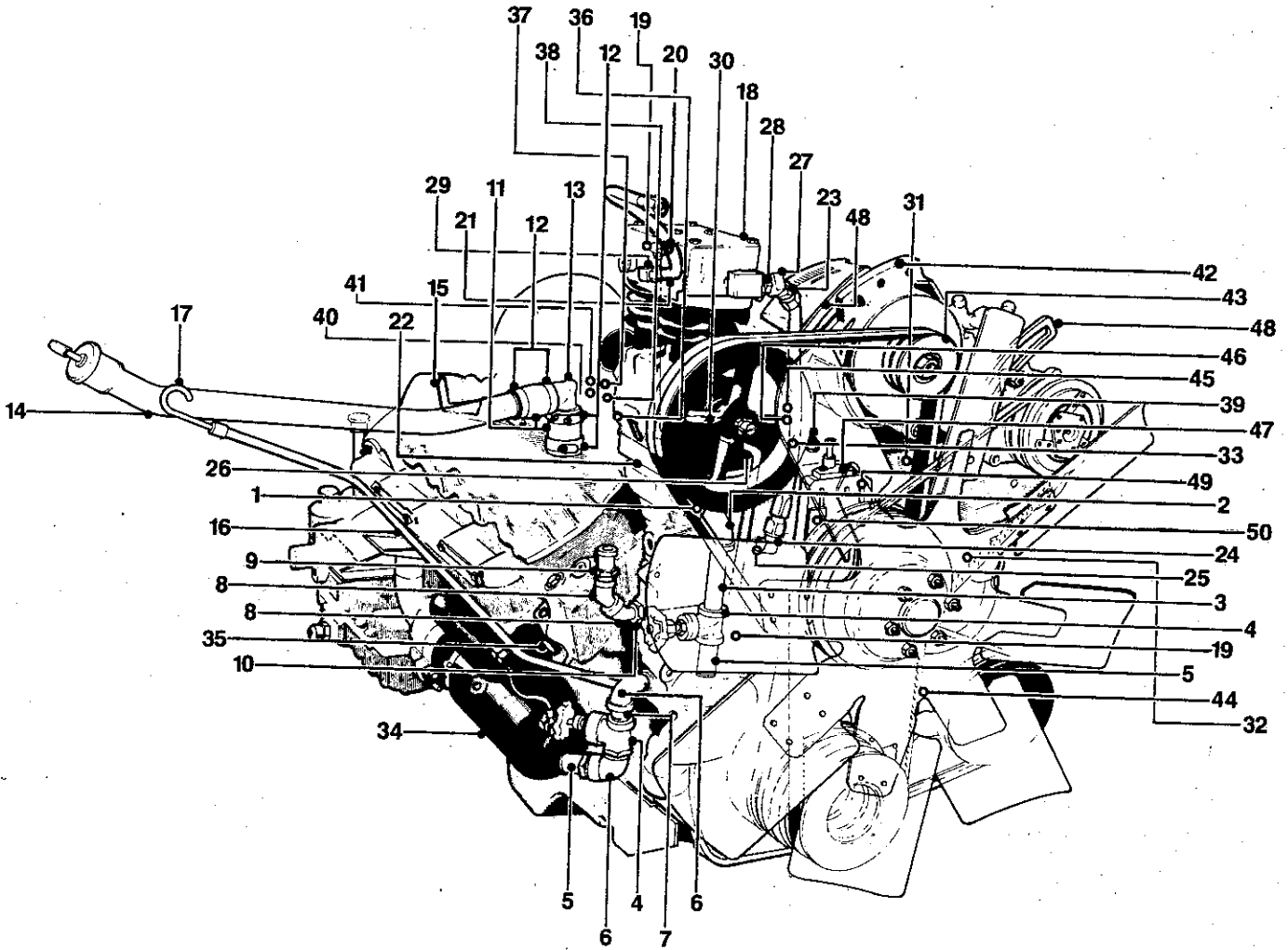
ENGINE TRIM  
 TRIM KIT, CAT. 3208 TZ, 300 HP  
 1 OF 3

KEY NO.	PART NO.	DESCRIPTION	QTY REQ'D
		<u>TRANSMISSION PARTS</u>	
1	1250422	FLANGE, FLEX ASSY.	
2	1250414	DISC, FLEX, TRANSMISSION	4
3	1250430	PLATE, SCUFF	
4	1252790	BOLT, HEX, 7/16-20 X 3 1/4	10
5	REF.	SEALANT, LOCTITE, 271 ADHESIVE	
6	1250372	RING, ADAPTER, SAE 1/2, ZF	
7	0870451	BOLT, HEX, 3/8-16 X 2 1/2	12
8	2028579	LOCKWASHER, 3/8	12
9	1250380	BOLT, M10-1.5 X 4., ZF	12
10	1107085	WASHER, FLAT, 13/32	12
11	1250398	BOLT, M12-1.5 X 22 W/WASHER	10
NI	1250463	SEAL, RING, TEMP. SENDER	
NI	1250455	SENDER, OIL TEMP, TRANS	
NI	1424738	MODULE TRANSMISSION CONTROL	
NI	1353887	SENSOR, THROTTLE POSITION	
NI	1353895	DIPSTICK, TRANSMISSION OIL CHECK	
NI	1343607	TUBE, FILTER TRANS., DIPSTICK	

ENGINE TRIM  
 TRIM KIT, CAT. 3208 TZ, 300 HP  
 2 OF 3

DR	24 99	BY	APR	FRT	80-7730	REV
APP		BY				

© 1989 BLUE BIRD BODY COMPANY ALL RIGHTS RESERVED



NOTE: Parts that could not be shown are located with a  symbol.



ENGINE TRIM  
TRIM KIT, CAT. 3208 TZ, 300 HP  
2 OF 3

KEY NO.	PART NO.	DESCRIPTION	QTY REQ'D
		<u>HEATER PIPING</u>	
1	2009512	NIPPLE, PIPE 3/4 X 2	
2	2009207	ELBOW, PIPE 3/4 X 90	
3	2009538	NIPPLE, PIPE 3/4 X 4	
4	2052579	VALVE, GATE, 3/4	
5	0315200	ADAPTER, HEATER 3/4 PIPE X 1" HOSE	
6	0760249	ELBOW, 3/4 X 90 DEGREE	
7	2009504	NIPPLE, PIPE 3/4	
8	1216613	ELBOW, STREET, 1/2 45 DEGREE	2
9	0144964	ADAPTER, HEATER, 1/2 PIPE X 1" HOSE	
10	0618512	BUSHING, PIPE, 1/2 X 1	
		<u>ENGINE OIL FILL &amp; DIPSTICK</u>	
11	1144013	HOSE, OIL FILL, 1 3/8 I.D.	
12	0870345	CLAMP, HOSE 1"	
13	1343441	ELBOW ASSY, 90 DEGREE	
14	1343615	TUBE, OIL FILLER	
15	1366897	BRACKET, MTG, OIL DIPSTICK	
16	1366343	TUBE, DIPSTICK, ENGINE OIL	
17	1243112	DIPSTICK, ENGINE OIL	
NI	1366475	BRACKET, MTG, REMOTE OIL FILL	
		<u>AIR COMPRESSOR</u>	
18	1510221	AIR COMPRESSOR	
19	2026995	ELBOW, 400 X 8 3/8 MPT X 1/2 IF	2
20	2023539	BUSHING, PIPE, 1/2 MPT X 3/8 FPT	
21	0870303	HOSE ASSY	
22	1017805	ADAPTER, AIR COMPRESSOR	
23	0854596	HOSE ASSY, AIR COMPRESSOR	
24	1002864	ELBOW, 90 DEGREE MALE, 1/2 TUBE FLARE	
25	2009074	BUSHING, PIPE, GALV, 1/2 X 3/4	
26	0854620	TUBE ASSY	
NI	0908160	GOVERNOR, AIR COMPRESSOR	
NI	0603324	GASKET, A/C GOVERNOR	
27	0963736	ELBOW, 45 DEGREE, 3/8 MPT X 1/2	
28	2009058	BUSHING, PIPE 3/8 X 1/2	
29	2009041	BUSHING, PIPE 1/4 X 1/2	
30	1017797	PULLEY, AIR COMPRESSOR	
NI	0854638	GASKET, A/C BASE	
		<u>SENDERS</u>	
31	1282714	ALARMSTAT, 215 DEGREE ENGINE WARNING	
32	1078781	SENDER, WATER TEMP	
33	1054089	THERMOSTAT, QUICK START	

QUANTITY REQUIRED IS ONE UNLESS OTHERWISE SPECIFIED.

ENGINE TRIM  
TRIM KIT, CAT. 3208 TZ, 300 HP  
2 OF 3

KEY NO.	PART NO.	DESCRIPTION	QTY REQ'D
		<u>SENDERS</u>	
NI	1352053	SENDER, OIL PRESSURE	
NI	1250455	SENDER, OIL TEMP., TRANSMISSION	
NI	1350453	SENDER, FUEL LEVEL	
		<u>MISC. PARTS</u>	
34	1483304	STARTER MOTOR	
NI	0823963	GASKET, STARTER MOTOR	
NI	0809103	MAGNETIC SWITCH, STARTER	
35	1258748	HEATER, ENGINE BLOCK	
36	2023935	ELBOW, 1/4" PYROMETER	
37	2009025	BUSHING, PIPE 1/8 X 1/2	
38	2009074	BUSHING, PIPE 1/2 X 3/4	
39	1458298	ALARMSTAT, 195 DEGREE	
40	0893420	ATOMIZER, 1/8 NPT	
41	1004621	TUBING, PLASTIC 1/8 OD BLACK (SOLD BY THE FOOT)	
		<u>ALTERNATOR &amp; ASSOCIATED PARTS</u>	
42	1492875	ALTERNATOR, 160 AMP	
NI	4296547	REGULATOR, VOLTAGE INTERNAL	
43	1493899	PULLEY, ALTERNATOR 3 1/4"	
44	0854679	PULLEY, ALTERNATOR SINGLE GROOVE	
45	1159656	BRKT, MTG, ADJUSTING ARM	
46	0771873	SPACER, ALTERNATOR ADJUSTING UPPER	2
47	1297670	PLATE, ADJUSTING, PULLEY ASSY	
48	0934240	BRACE, ALTERNATOR ADJ	
49	1376847	SPACER ASSY, FAN MTG TO ENGINE	
50	1163484	PLATE, PULLEY ASSY, FAN	2
NI	1447424	WIRE, ALTERNATOR GROUND	
NI	1096510	COVER, DUST ALTERNATOR	
NI	0668186	BRACE, ALTERNATOR, MTG, BRKT.	

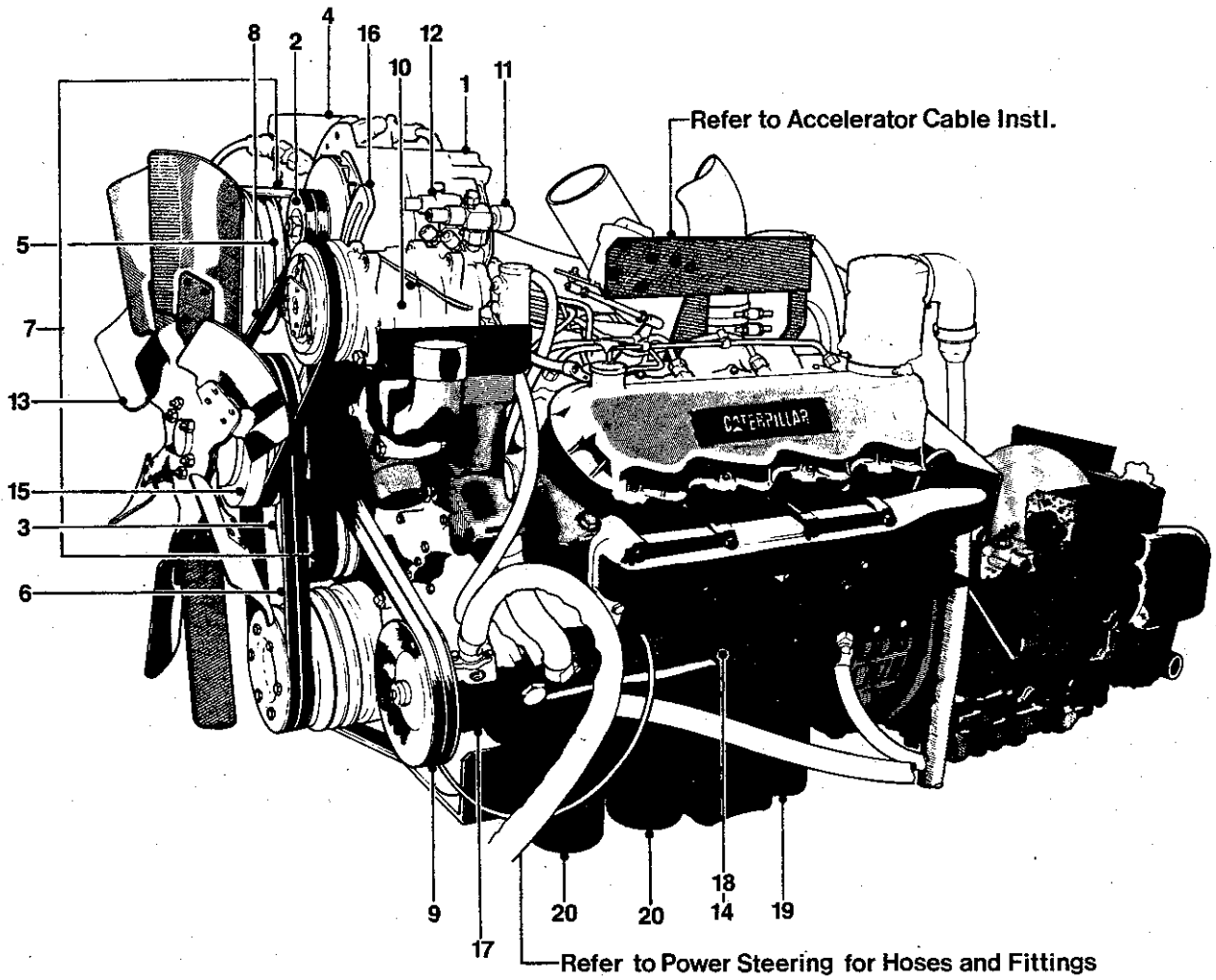


**BLUE BIRD**

ENGINE TRIM  
 TRIM KIT, CAT. 3208 TZ, 300 HP  
 3 OF 3

DR 10/31/37	BY Andrea		REV 2007216
APP	BY	FRT	REV

© 1989 BLUE BIRD BODY COMPANY ALL RIGHTS RESERVED



NOTE: Parts that could not be shown are located with a symbol.

ENGINE TRIM  
TRIM KIT, CAT. 3208 TZ, 300 HP  
3 OF 3

KEY NO.	PART NO.	DESCRIPTION	QTY REQ'D
1	1263359	<u>ALTERNATOR &amp; ASSOCIATED PARTS</u> ALTERNATOR, 160 AMP	
NI	2154565	REGULATOR, VOLTAGE INTERNAL	
NI	1096510	COVER, DUST ALTERNATOR	
2	1007673	PULLEY, ALTERNATOR 3 1/4"	
3	0854679	PULLEY, ALTERNATOR SINGLE GROOVE	
		NOTE: SEE ILLUSTRATION 2 OF 3 FOR ALT MTG PARTS.	
		<u>AIR COMPRESSOR &amp; ASSOCIATED PARTS</u>	
NI	0908160	AIR COMPRESSOR, GOVERNOR	
NI	0603324	GASKET, A/C GOVERNOR	
NI	1017805	ADAPTER, AIR COMPRESSOR	
4	0853226	AIR COMPRESSOR	
5	1017797	PULLEY, AIR COMPRESSOR	
		NOTE: SEE ILLUSTRATION 2 OF 3 FOR AIR COMPRESSOR & ASSOCIATED PARTS	
		<u>BELTS</u>	
6	1333053	BELT SET, 1/2 X 48 1/4 (FAN)	
7	1493519	BELT SET, 1/2 X 59 1/4 (A/C, ALT)	
8	1396142	BELT, 46 1/4 X 1/2 (FREON)	
9	1333061	BELT SET, MATCHED, 52 3/4 X 1/2 (P/S PUMP)	
		<u>AIR CONDITIONING PARTS</u>	
10	1333194	COMPRESSOR, FREON, DIESEL	
11	1333210	VALVE, SERVICE, SUCTION	
12	1333202	VALVE, SERVICE, DISCHARGE	
NI	1343805	O-RING, SUCTION	
NI	1343813	O-RING, DISCHARGE	
		<u>MISC. PARTS</u>	
13	1332964	FAN ASSY., 29", 6 BLADE	
14	1078799	SENDER, OIL TEMP.	
15	1333186	FAN CLUTCH, AIR	
16	1343482	BRACKET ASSY., FREON COMPRESSOR	
17	1389725	PUMP, P/S	
18	2008050	BUSHING, BRASS	
NI	1022102	INDICATOR, AIR CLEANER	
NI	2005700	LOOM, ASPHALTUM, 1/4"	
NI	2003317	HOSE, HEATER 1" BRAID	

ENGINE TRIM  
 TRIM KIT, CAT. 3208 TZ, 300 HP  
 3 OF 3

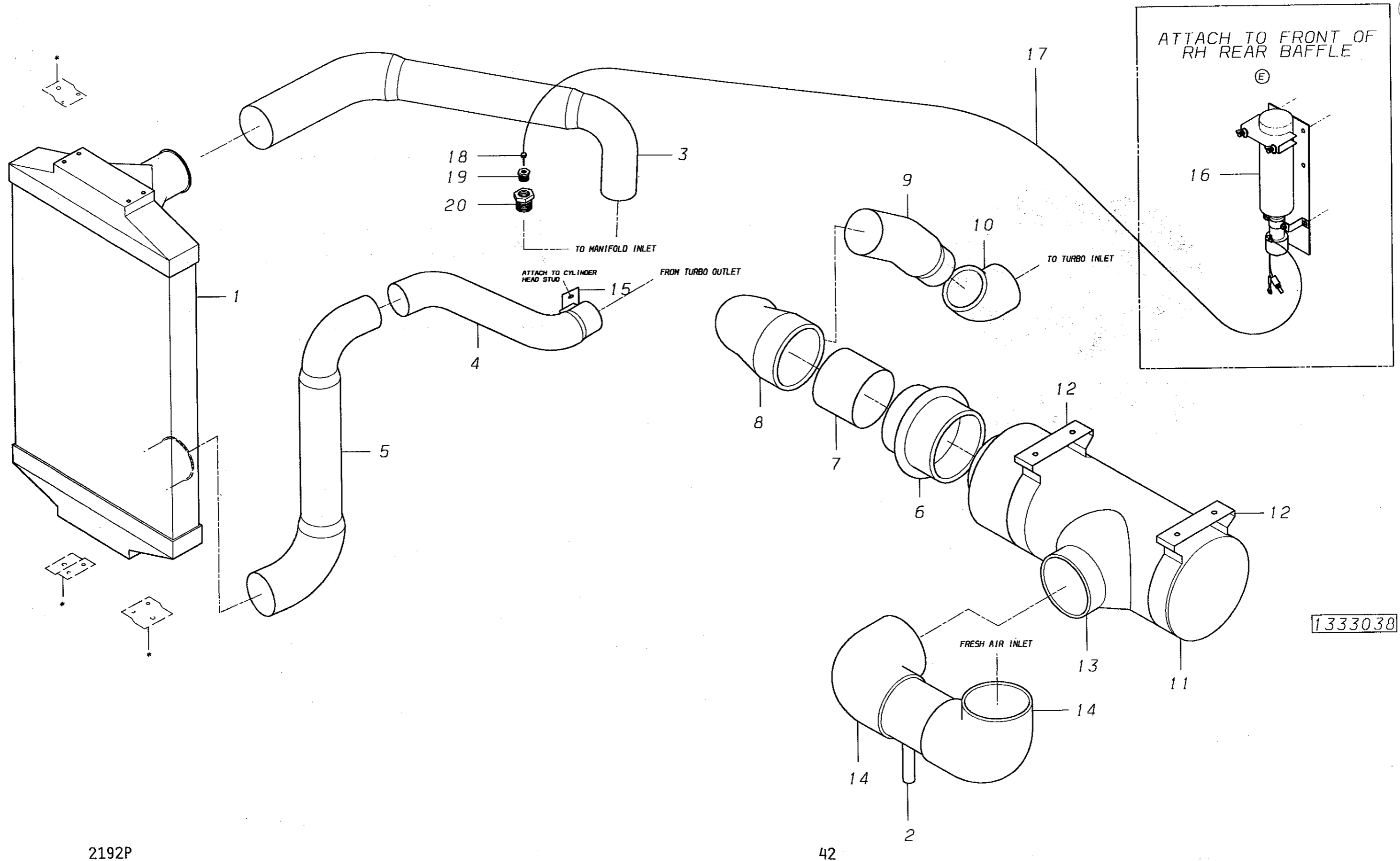
KEY NO.	PART NO.	DESCRIPTION	QTY REQ'D
19 20 NI NI NI	2155869 3743481 1258615 2107670 2153153	<u>FILTERS</u> FILTER, FUEL FILTER, ENGINE OIL AIR CLEANER ELEMENT, AIR COMPRESSOR KIT, INTERNAL FILTER CHANGE, ZF TRANS.	

QUANTITY REQUIRED IS ONE UNLESS OTHERWISE SPECIFIED.



**BLUE BIRD**

# AIR INTAKE SYSTEM





# AIR INTAKE SYSTEM

KEY NO.	PART NO.	DESCRIPTION	QTY REQ'D
1	1405778	COOLER, CHARGE AIR, BLACKSTONE	
2	1364272	WATER SEPARATOR, IN-LINE	
3	1330034	TUBE, AIR COOLER TO MANIFOLD, CAT.	
4	1330042	TUBE, AIR COOLER FROM TURBO, FRONT	
5	1330059	TUBE, AIR COOLER FROM TURBO, REAR	
6	1330067	HOSE, HUMP, 6.00 X 5.50	
7	1330091	TUBE ASSY, AIR INLET	
8	1121029	ELBOW, REDUCING, 90 DEGREES, 5.50 TO 4.00	
9	1330075	TUBE, AIR CLEANER TO TURBO	
10	1258656	ELBOW, REWORKED, 3.50 ID X 45 DEG.	
11	1258615	AIR CLEANER	
NI	1022102	INDICATOR, AIR CLEANER	
12	1258623	CLAMP, MOUNTING, 9.75	
13	1258631	ADAPTER, INLET, 9.75 W/6.00" OUTLET	2
14	1354463	ELBOW, RUBBER, 6.00 ID, 90 DEG. W/3.50 RADIUS	2
15	1333046	BRACKET, CLAMPS, TURBO OUTLET	
NI	1258540	HOSE, TURBOCHARGER, 2.75 ID X 10 FEET	5"
NI	1258573	CLAMP, SPRING LOADED, 3.00 ID	4
NI	1258557	HOSE, TURBOCHARGER, 3.00 ID X 10'	10"
NI	1258581	CLAMP, SPRING LOADED, 3.25 ID	8
NI	1258565	HOSE, TURBOCHARGER, 4.00 ID X 10'	14"
NI	1258599	CLAMP, SPRING LOADED, 4.25 ID	8
NI	0969741	CLAMP, HOSE, 2.00-7.00	10
NI	2008522	CLAMP, HOSE, 1"	2
NI	1008119	HOSE, SUCTION, 1"	20"
NI	1008127	ADAPTER ASSY., AIR COMPRESSOR	
16	0893362	CYLINDER, QUICK START	
NI	1275221	BRKT, MTG, QUICK START AID	
NI	0893438	SOLENOID, QUICK START	
17	1004621	TUBING, PLASTIC 1/8 O.D.	
18	0893420	ATOMIZER, 1/8	8'
19	2009025	BUSHING, PIPE, 1/8 X 1/2	
20	2009074	BUSHING, PIPE, 1/2 X 3/4	

**QUANTITY REQUIRED IS ONE UNLESS OTHERWISE SPECIFIED.**  
 REVISED 11-27-90      2192P      43

# BATTERIES & CABLES

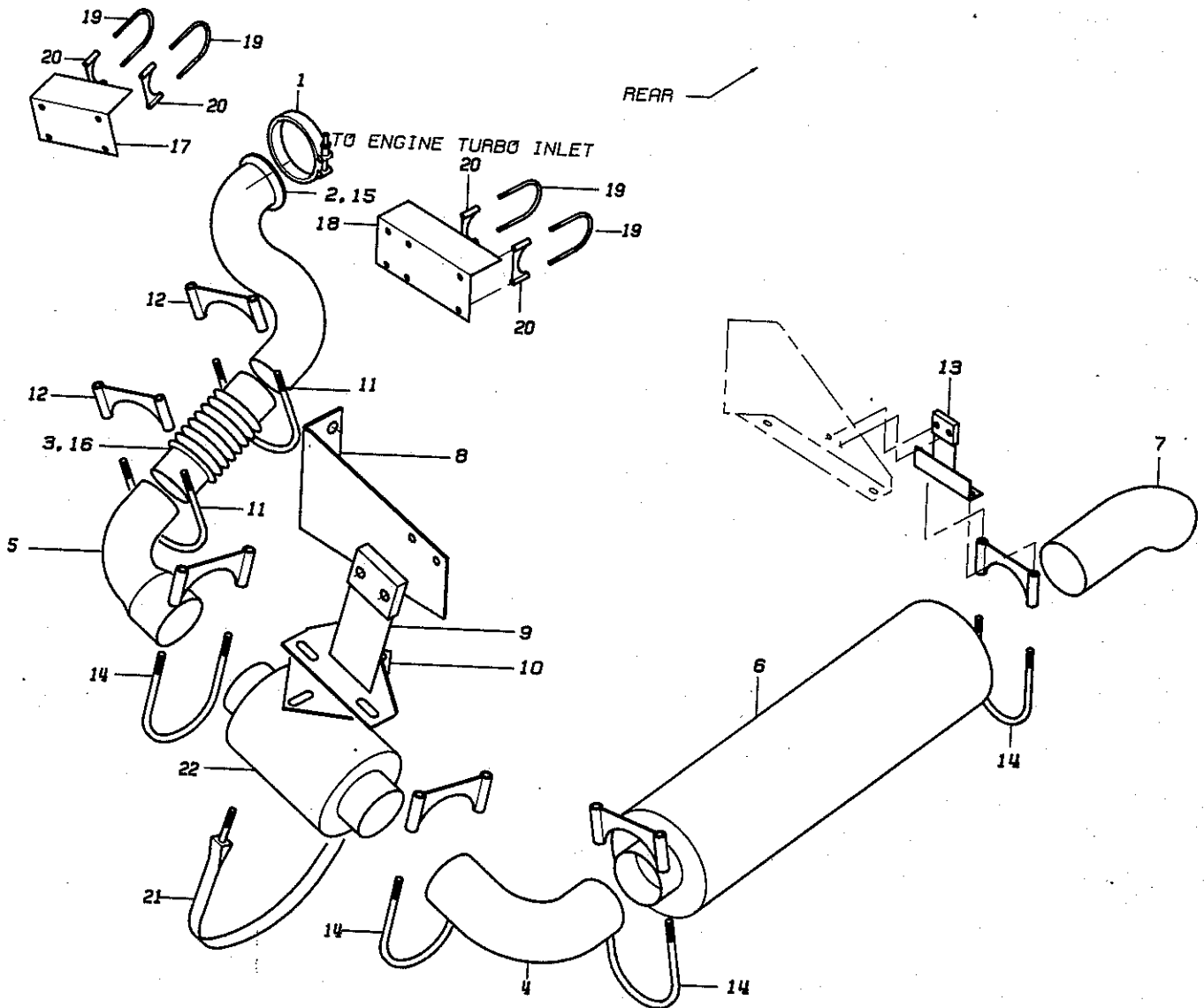
KEY NO.	PART NO.	DESCRIPTION	QTY REQ'D
		<u>CHASSIS BATTERIES</u>	
NI	1361682	BATTERY 12 VOLT, CCA, GROUP 31	2
NI	1352012	CABLE ASSY., BATTERY, POSITIVE	
NI	1352020	CABLE ASSY., BATTERY, NEGATIVE	
NI	1418938	CABLE ASSY., BATTERY, 1 GA., 575" LONG	
NI	0553131	TERMINAL, BATTERY CABLE JUNCTION	
NI	0312652	STRAP, GROUND, FRAME TO ENGINE	
		<u>COACH BATTERIES</u>	
NI	3939550	BATTERY, 12 VOLT	4
NI	3830940	INVERTER	
NI	3940319	CABLE, BATTERY, NEGATIVE	
NI	3940301	CABLE, BATTERY, POSITIVE	

QUANTITY REQUIRED IS ONE UNLESS OTHERWISE SPECIFIED.

ELECTRICAL COMMON PARTS

KEY NO.	PART NO.	DESCRIPTION	QTY REQ'D
NI	2025153	HORN, HIGH NOTE	
NI	2025146	HORN, LOW NOTE	
NI	1360304	HARNESS, WIRING, ZF TRANSMISSION	
NI	1360312	HARNESS, WIRING, SWITCHES, ZF TRANSMISSION	
NI	1092345	HARNESS, BRAKE SWITCH, CRUISE CONTROL	
NI	1091636	HARNESS, CONTROL SWITCH, CRUISE	
NI	1091867	HARNESS, INH/SPEED, CRUISE CONTROL	
NI	0809103	SWITCH, MAGNETIC STARTER	
NI		BOX ASSY, CONTROL, REAR (CONSISTING OF THE FOLLOWING)	
	1359850	BOX ONLY	
	1249382	SWITCH, IGNITION W/KEYS	
	0870485	SWITCH, DPDT, CENTER OFF	
	1359918	DECAL, REAR CONTROL BOX	
	1062066	COVER, RECEPTACLE	
	2003192	GROMMET, RUBBER	
	1419720	PLATE, SPACER, IGNITION SWITCH	
	1449982	DECAL, FUEL PRIMER	
	1155241	SWITCH MANUAL	

# EXHAUST SYSTEM

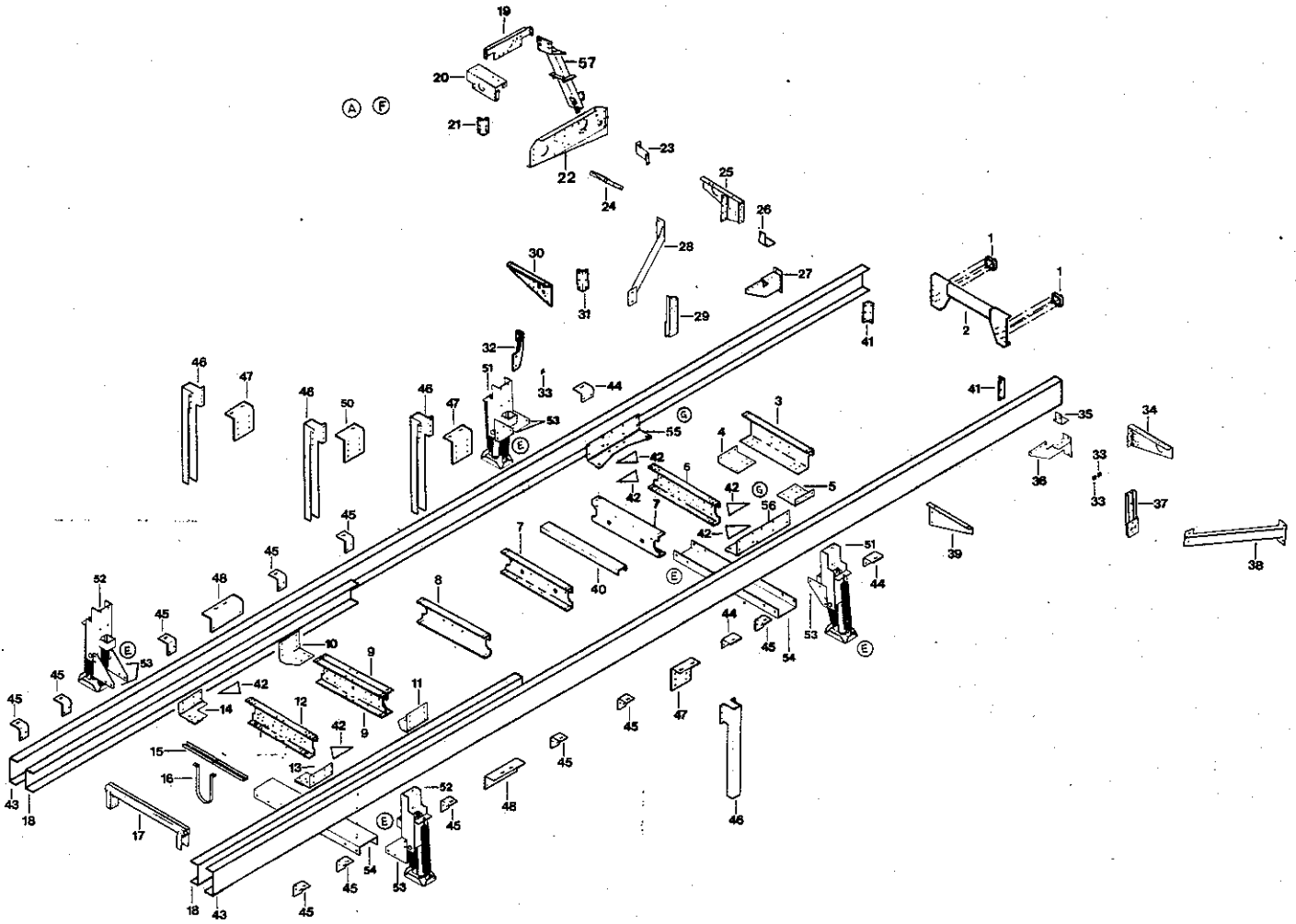


# EXHAUST SYSTEM

KEY NO.	PART NO.	DESCRIPTION	QTY REQ'D
1	1250646	CLAMP, TURBO EXHAUST, 4" DIA.	
2	1332790	PIPE, EXHAUST, TURBO	
3	1124767	CONNECTOR, FLEXIBLE, EXHAUST, 4"	
4	1418797	ELBOW, EXHAUST PIPE	
5	1415421	ELBOW, EXHAUST -	
6	1394592	MUFFLER /	
7	1472935	TAILPIPE, EXHAUST	
8	1418789	BRACKET, EXHAUST HANGER	
9	1340934	BRACKET, FINAL ASSY., EXHAUST SUPPORT	
10	0961037	PLATE, ADAPTER, TAILPIPE HANGER	
11	0815621	U-BOLT, 4", EXHAUST PIPE, CLAMP	2
12	0819359	CLAMP, SADDLE, 4", EXHAUST PIPE	2
13	1250687	BRACKET, FINAL ASSY., REAR EXHAUST SUPPORT	
14	0993915	CLAMP ASSY., EXHAUST PIPE, 5"	4
15	1242403	BLANKET, EXHAUST PIPE, ENGINE	
16	1255777	BLANKET, FLEX EXHAUST PIPE	
17	1407121	SHIELD, HEAT TURBO PIPE, RH	
18	1026509	SHIELD EXHAUST PIPE	
19	0805176	U-BOLT, 2 1/2	4
20	0805184	SADDLE, 2 1/2	4
21	1117993	STRAP ASSY, MUFFLER SUPPORT	
22	1394600	RESONATOR, 5 IN.	

**QUANTITY REQUIRED IS ONE UNLESS OTHERWISE SPECIFIED.**  
 REVISED 11-27-90                      2192P                      47

# FRAME AND BUMPERS



FRAME AND BUMPERS

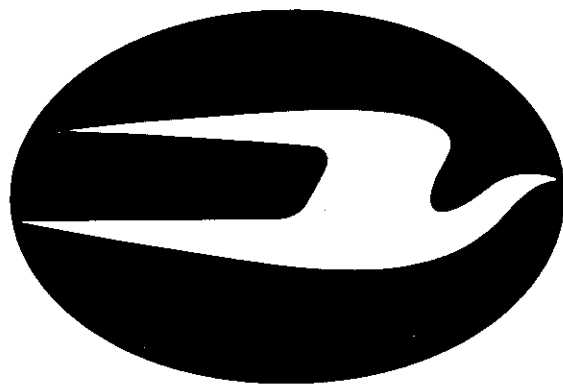
KEY NO.	PART NO.	DESCRIPTION	QTY REQ'D
1	1170943	TOW EYE, REWORKED	2
2	1331420	CROSSMEMBER ASSY., FRONT	
3	1313469	CROSSMEMBER, FRONT SUSPENSION, FRONT	
4	1351451	GUSSET ASSY, FRONT SUSPENSION, FRONT, CROSSMEMBER, LH W/RIDEWELL	
5	1351444	GUSSET ASSY., FRONT SUSPENSION, FRONT, CROSSMEMBER, RH W/RIDEWELL	
6	1313451	CROSSMEMBER, FRONT SUSPENSION, REAR	
7	1352731	CROSSMEMBER, FUEL TANK, FRONT AND REAR	2
8	1352749	CROSSMEMBER, MIDSHIP	
9	1315068	CROSSMEMBER, REAR SUSPENSION, FRONT W/RIDEWELL	2
10	1352772	GUSSET ASSY., REAR SUSPENSION, FRONT CROSSMEMBER, LH	
11	1352764	GUSSET ASSY., REAR SUSPENSION, FRONT CROSSMEMBER, RH	
12	1352756	CROSSMEMBER, REAR SUSPENSION, REAR	
13	1352806	GUSSET ASSY., REAR SUSPENSION, REAR CROSSMEMBER, RH	
14	1352814	GUSSET ASSY., REAR SUSPENSION, REAR CROSSMEMBER, LH	
15	N/A	SUPPORT, PROPELLER SHAFT GUARD	
16	N/A	STRAP, PROPELLER SHAFT GUARD REAR	
17	1129592	CROSSMEMBER ASSY., HORIZONTAL REAR	
18	1098078	INSERT, FRAME RAIL	2
19	1345255	BRACKET, MOUNTING, AIR SWITCHES	
20	1274075	BRACKET, BRAKE/CLUTCH, STEERING GEAR	
21	0995316	ANGLE, STEERING GEAR BRACKET MOUNT, REAR	
22	1352228	BRACKET ASSY., STEERING GEAR MOUNTING	
23	1352269	BRACE, STEERING GEAR BRACKET, FRONT	
24	1352277	BRACE, STEERING GEAR BRACKET, REAR	
25	1352186	OUTRIGGER ASSY., FRONT LH	
26	1347392	BRACKET ASSY., FRONT BUMPER SUPPORT, LH	
27	1346394	BRACKET ASSY., FRONT BUMPER, LH	
28	1346329	BRACE ASSY., CORNER, FRONT ALUMINUM BUMPER, LH	
29	1330968	BRACKET ASSY., SUPPORT, LH, BUMPER BRACE ASSY.	
30	1353481	OUTRIGGER, REAR, LH	
31	1215250	ANGLE, REAR OUTRIGGER, RH	
32	1352509	BRACE ASSY., OUTRIGGER, LH REAR	
33	0998526	SPACER, OUTRIGGER TO FRAME BRACE ASSY.	3
34	1352863	OUTRIGGER ASSY., FRONT, RH	
35	1347384	BRACKET ASSY., FRONT BUMPER SUPPORT, RH	
36	1346386	BRACKET ASSY., FRONT BUMPER, RH	
37	1331412	BRACKET ASSY., SUPPORT, RH, BUMPER BRACE ASSY.	
38	1346311	BRACE ASSY., CORNER, FRONT ALUM BUMPER, RH	
39	1278456	OUTRIGGER ASSY., REAR RH	
40	1033950	CROSSMEMBER, HORIZONTAL	
41	1021880	ANGLE, REINFORCEMENT, TOW EYE	2
42	0961664	GUSSET, FRONT SUSPENSION, REAR, CROSSMEMBER, LH	6
43	1375328	FRAME RAIL	2
44	1345248	ANGLE, TIE DOWN, FRONT AXLE	3
45	1107218	ANGLE, TIE DOWN	11
46	1333764	BRACKET, HANGER, COMPARTMENT	4

QUANTITY REQUIRED IS ONE UNLESS OTHERWISE SPECIFIED.

FRAME AND BUMPERS

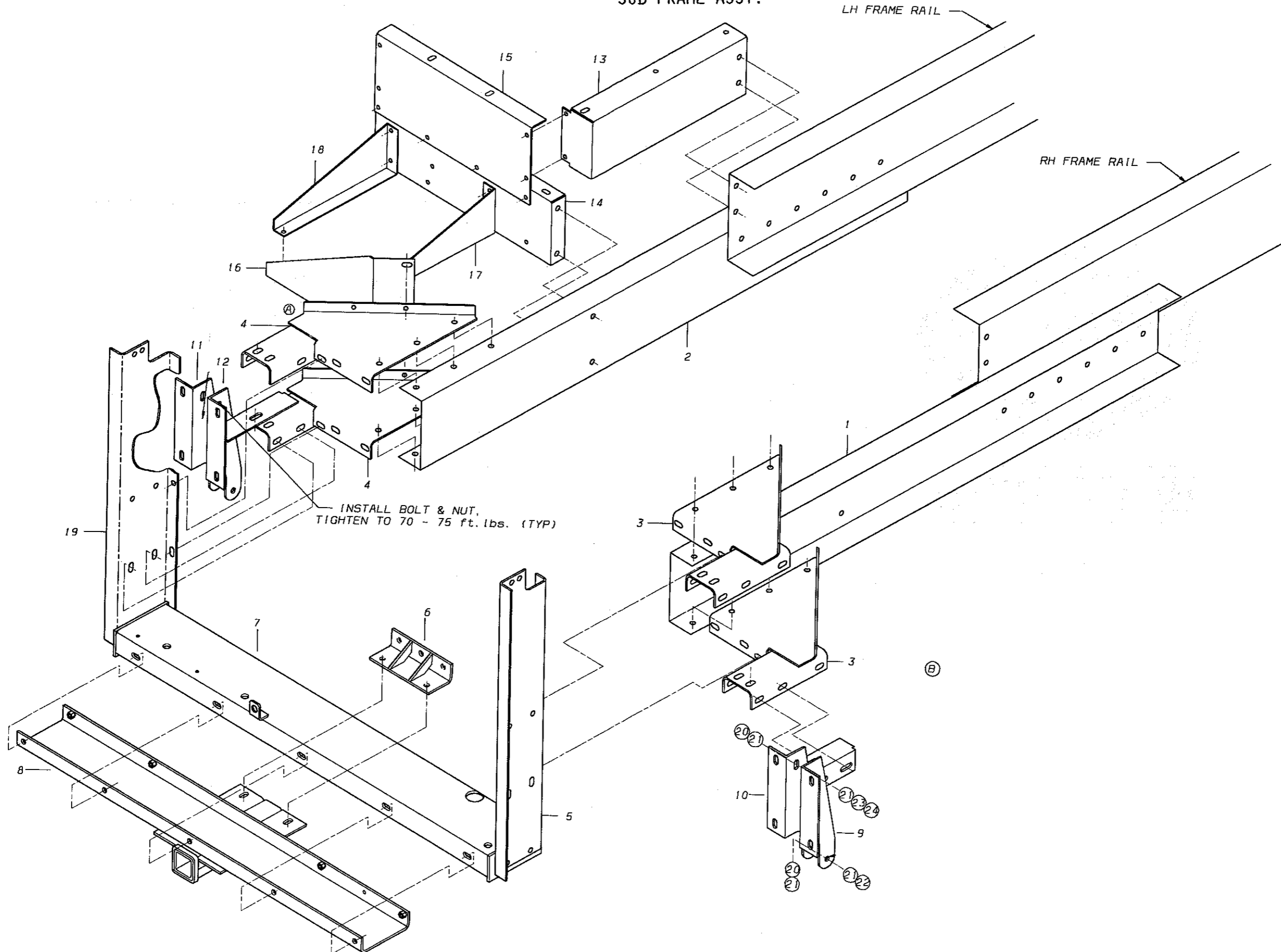
KEY NO.	PART NO.	DESCRIPTION	QTY REQ'D
47	1353358	BRACKET, TIE DOWN	3
48	1345222	ANGLE, TIE DOWN, REAR SUSPENSION, FRONT	2
49		NOT APPLICABLE	
50	1375484	BRACKET, TIE DOWN, LH	
51	3880655	JACK, LEVELING SYSTEM	2
52	3889904	JACK, LEVELING REAR	2
53	3896826	GUSSET, LEVELING JACK BRACE	8
54	3896818	CHANNEL, LEVELING JACK	2
55	1351519	BRACKET ASSY., SUPPORT, AIR SPRINGS, FRONT RH	
56	1351501	BRACKET ASSY., SUPPORT, AIR SPRINGS, FRONT, LH	
57	1352111	BRACKET ASSY., SUPPORT, STEERING COLUMN	
NI	1352111	BRACKET ASSY., SUPPORT STEERING COLUMN	
NI	0874479	GLAZING, RUBBER	
		<b>BUMPERS</b>	
NI	3974904	RIGHT HAND, FRONT	
NI	3974920	CENTER, FRONT	
NI	3974912	LEFT HAND, FRONT	
NI	3974946	BUMPER, REAR	





**BLUE BIRD**

SUB FRAME ASSY.



LH FRAME RAIL

RH FRAME RAIL

INSTALL BOLT & NUT,  
TIGHTEN TO 70 - 75 ft. lbs. (TYP)

19

3

B

10

9

20

21

22

5

7

6

8

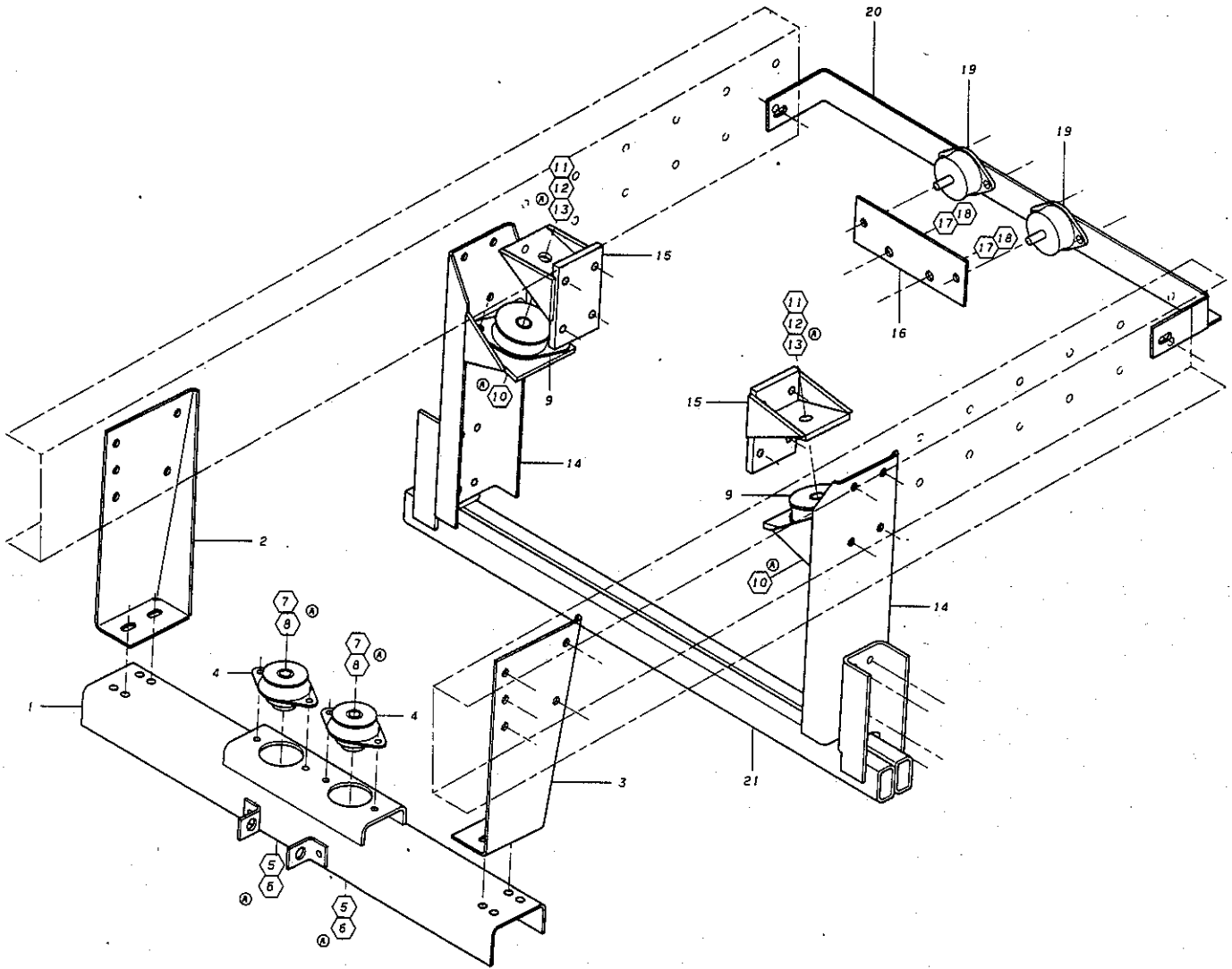
REAR OF CHASSIS

SUB FRAME ASSY.

KEY NO.	PART NO.	DESCRIPTION	QTY REQ'D
1	1343664	FRAME, SUB, REAR, RH	
2	1343672	FRAME, SUB, REAR, LH	
3	1332667	BRACKET ASSY., REAR CROSSMEMBER MOUNTING, RH	2
4	1332634	BRACKET ASSY., REAR CROSSMEMBER MOUNTING, LH	2
5	1376714	BRACKET, Z, REAR CROSSMEMBER MOUNTING, RH	
6	1428077	BRACKET ASSY., TRAILER HITCH, SUPPORT	
7	1428010	CROSSMEMBER ASSY., HORIZONTAL REAR, UPPER	
8	1428093	CROSSMEMBER ASSY., HORIZONTAL REAR, LOWER	
9	1428291	BRACKET, BUMPER MOUNTING, REAR, LH	
10	1427996	BRACKET ASSY., BUMPER MOUNTING, REAR, RH	
10	1332766	BRACKET ASSY., BUMPER MOUNTING, REAR, LH	
11	1428283	ANGLE, BUMPER MOUNTING, REAR, RH	
12	1427988	BRACKET ASSY., BUMPER MOUNTING, REAR, LH	
13	1343433	CLOSEOUT, FRAME TO SUB FRAME	2
14	1343417	OUTRIGGER, REAR	2
15	1343425	OUTRIGGER, ANGLE, REAR	2
16	1343474	BRACKET, BATTERY MOUNTING	
17	1343839	BRACKET, BATTERY SUPPORT, RH	
18	1343466	BRACKET, BATTERY SUPPORT, LH	
19	1376722	BRACKET, Z, REAR CROSSMEMBER MOUNTING, LH	
20	0803239	BOLT, HEX, 1/2-13 X 1 1/2	18
21	1003045	WASHER, FLAT, 17/32	22
22	0850800	NUT, HEX, LK, 1/2-16	7
23	2001212	LOCKWASHER, 1/2"	11
24	1003094	NUT, HEX, 1/2-13	2
NI	1043470	BRACKET, ATTACHING, SUB FRAME	

QUANTITY REQUIRED IS ONE UNLESS OTHERWISE SPECIFIED.

# ENGINE MOUNTING

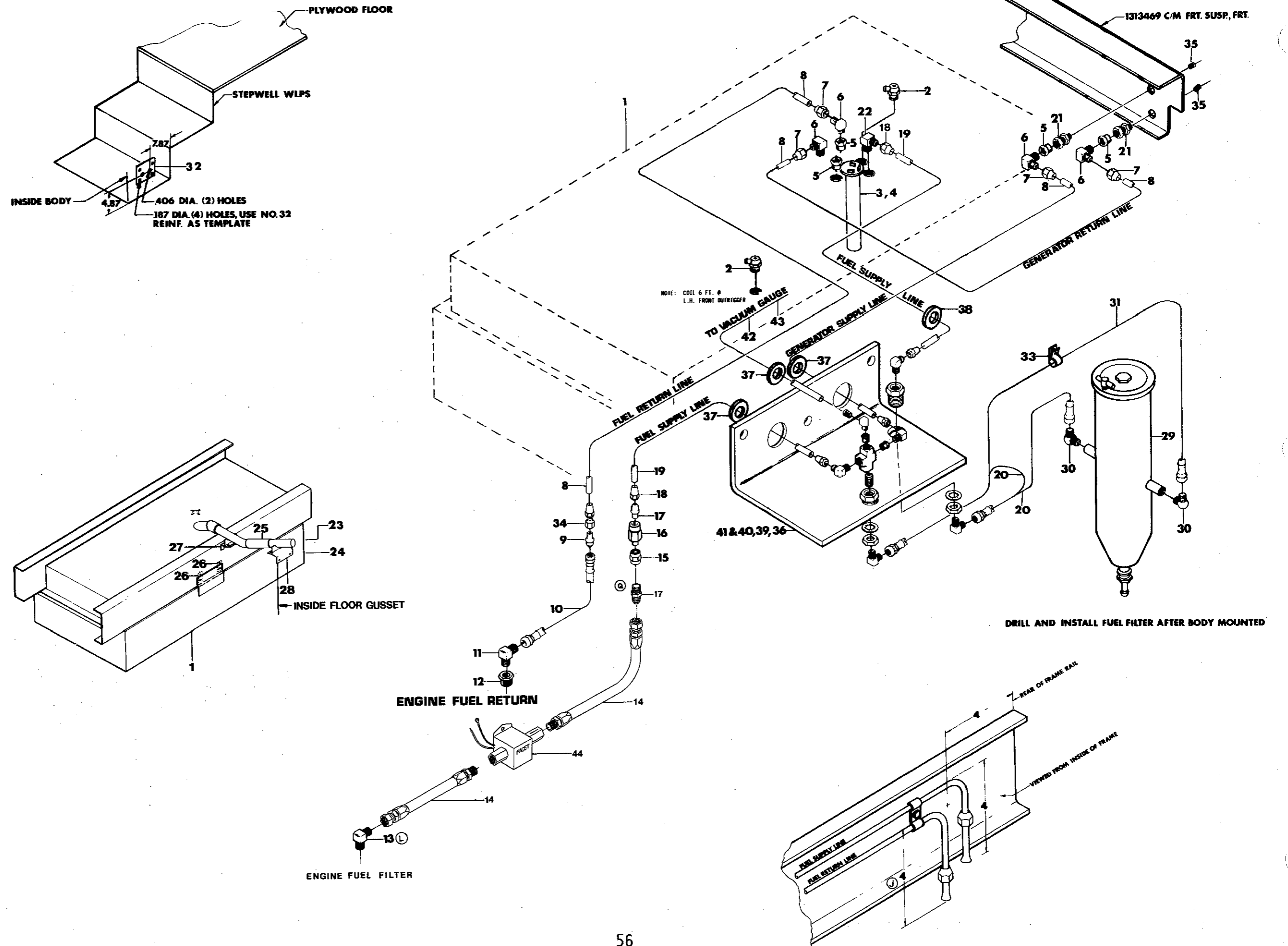


ENGINE MOUNTING

KEY NO.	PART NO.	DESCRIPTION	QTY REQ'D
1	1428028	MOUNT ASSY., ENGINE, REAR	
2	1333111	BRACKET, ENGINE MOUNTING, REAR FRAME, LH	
3	1333129	BRACKET, ENGINE MOUNTING, REAR FRAME, RH	
4	1255827	ISOLATOR, MOTOR MOUNT	2
5	1139559	BOLT, HEX, 1/2-13 X 4	2
6	1080316	WASHER, FRONT ENGINE MOUNTING	
7	2001212	LOCKWASHER, 1/2"	2
8	1003094	NUT, HEX, 1/2 X 13	2
9	1255835	ISOLATOR, MOTOR MOUNT	2
10	1021815	BOLT, HEX, 3/4-10 X 4 1/2	2
11	0617902	WASHER, REAR ENGINE MOUNTING	2
12	2001238	LOCKWASHER, 3/4"	2
13	0816033	NUT, HEX, 3/4-10, GR. 8	2
14	1333137	MOUNT ASSY., ENGINE, FRONT, FRAME	2
15	1233758	BRACKET ASSY., ENGINE, MOUNTING, REAR	2
16	1333020	PLATE, TRANSMISSION TAIL SUPPORT	
17	2001220	LOCKWASHER, 5/8	2
18	1343623	BOLT, HEX, M16-1.5 X 30	2
19	0983767	INSULATOR, TRANSMISSION MOUNTING	2
20	1333012	BRACKET, TRANSMISSION TAIL SUPPORT	
21	1129592	CROSSMEMBER ASSY., HORIZONTAL, REAR	

QUANTITY REQUIRED IS ONE UNLESS OTHERWISE SPECIFIED.

# FUEL SYSTEM



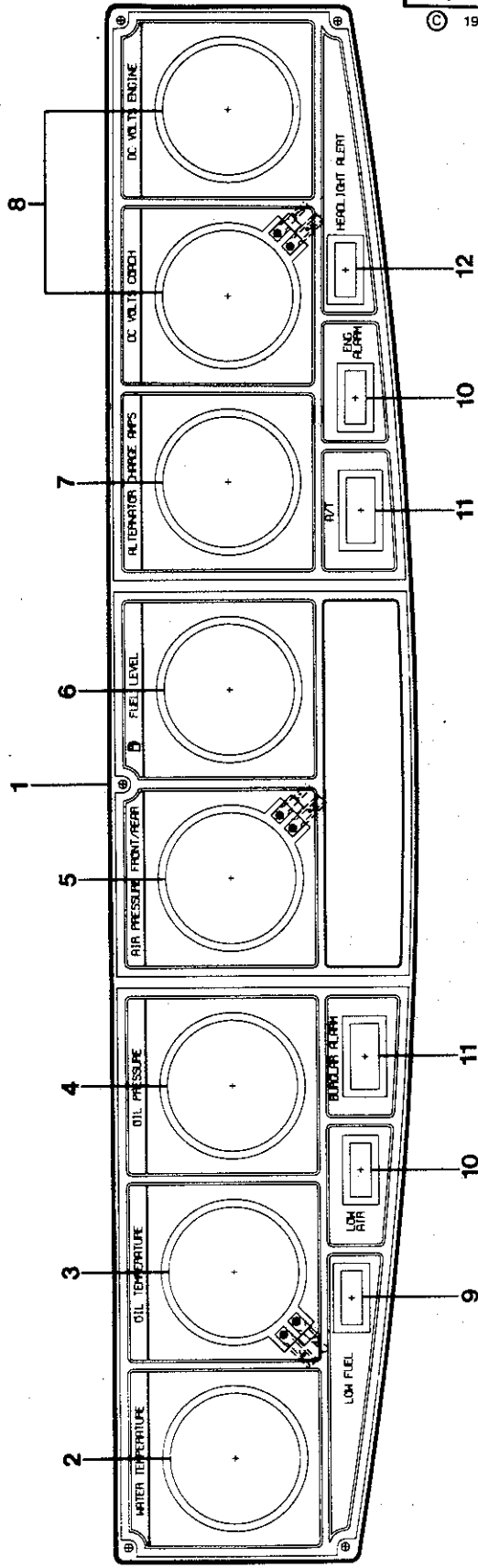
FUEL SYSTEM

KEY NO.	PART NO.	DESCRIPTION	QTY REQ'D
1	3872975	TANK ASSY., FUEL, 200 GAL.	
2	1237072	VENT, FUEL TANK	2
3	1350453	SENDER, FUEL TANK, 200 GAL.	
4	2025815	GASKET, FUEL TANK SENDER	
5	2027134	BUSHING, PIPE, 3/8 X 1/4	4
6	1154897	ELBOW MALE, 3/8 FLARE X 1/4 MPT	4
7	1154905	NUT, 3/8 FLARE	4
8	2027381	TUBING, COPPER, 3/8	
9	0928853	CONNECTOR, MALE, 48 X 6, 1/4 MPT X 3/8 TUBE, 45 DEG.	
10	1024876	HOSE ASSY., FUEL, 1/4-26	
11	2008241	ELBOW, MALE, 1/4 TUBE X 1/8 PIPE	
12	2008050	BUSHING, BRASS, 3224 X 2, 1/8 X 1/4	
13	1300656	ELBOW, 90 DEGREE, 5/16 TUBE X 1/4 MPT	
14	1449974	HOSE ASSY.	
15	1002898	COUPLING, 3/8 X 3/8 PIPE	
16	0877597	VALVE, CHECK	
17	2026664	CONNECTOR, 48 X 8, 3/8 MPT X 1/2 TUBE, FLARE	
18	2027084	NUT, 1110 X 8 1/2, FLARE	2
19	2027399	TUBING, COPPER, 1/2 TYPE L	
20	1350461	HOSE ASSY., FUEL	
21	0758698	COUPLING, ANCHOR	
22	1002864	ELBOW, 90 DEG. MALE, 1/2 TUBE FLARE X 1/2 PIPE	
23	1078617	INDICATOR, FUEL TANK LEVEL	
24	0890145	INDICATOR, FUEL TANK	
25	3880275	NECK ASSY., FUEL TANK, 200 GAL.	
26	1348689	BRACKET & NUT ASSY., FUEL TANK SUPPORT	4
27	1348440	BRACKET, SUPPORT, FUEL NECK, LOWER, FUEL TANK	
28	1348465	BRACKET, SUPPORT, FUEL NECK, UPPER, FUEL TANK	
29	2249472	FILTER, FUEL/WATER SEPARATOR	
30	1002856	ELBOW, 90 MALE, 1/2 TUBE X 7/8 14 THREAD	2
31	1351188	HOSE ASSY., FUEL FILTER OUTLET	
32	1351170	REINFORCEMENT, MOUNTING, FUEL FILTER	
33	0557710	CLAMP, CLOSED TYPE INSL., 13/16	
34	2023257	CONNECTOR, 1/4 FPT X 3/8 TUBE	
35	2009595	PLUG, PIPE, 3/8	2
36	1409747	BRACKET & FITTING ASSY., FUEL FILTER	
37	2003234	GROMMET, RUBBER, CHASSIS COWL WIRES, 3/4" I.D.	3
38	2003200	GROMMET, RUBBER, 1" ID.	
39	0854422	BOLT, HEX, 3/8-16 X 1 1/8 HHCS, GR. 8	3
40	0826297	NUT, HEX, 3/8-16	3
41	0882795	LOCKWASHER, 3/8"	3
42	2008431	TUBING, COPPER, 1/4	
43	2005718	LOOM, ASPHALTUM, WIRE, 5/16 ID.	
44	1029594	PUMP, FUEL, ELECTRIC	

QUANTITY REQUIRED IS ONE UNLESS OTHERWISE SPECIFIED.

PANEL ASSY., DASH, UPPER

DR 10-13-88 BY LAD  
 APP 10-17-88 BY PRZ  
 FRT 8008583  
 © 1988 BLUE BIRD BODY COMPANY ALL RIGHTS RESERVE





PANEL ASSY., DASH, UPPER

KEY NO.	PART NO.	DESCRIPTION	QTY REQ'D
1	3956752	PANEL ASSY., DASH, UPPER (COMPLETE W/SWITCHES AND GAUGES)	
	6022644	PANEL ONLY, (INCLUDES FACE PLATE AND EL PANEL)	
2	1078823	GAUGE, WATER TEMP, D/SCALE	
NI	1078781	SENDER WATER TEMP, 1/2 PIPE THREAD	
3	3865334	GAUGE, OIL TEMP.	
NI	1250455	SENDER, OIL TEMP., TRANSMISSION Z.F.	
4	3870565	GAUGE, OIL PRESSURE, ELEC.	
NI	1352053	SENDER, OIL PRESSURE, 8-80 P.S.I.	
5	3810389	GAUGE, AIR PRESSURE, DUAL FRONT/REAR	
6	1077676	GAUGE, FUEL LEVEL	
NI	1350453	SENDER, FUEL LEVEL 200 GAL.	
7	3847381	GAUGE, AMPERE, 0-300	
8	3746120	GAUGE, VOLTMETER	2
9	2271815	LIGHT, INDICATOR, AMBER	
10	2271807	LIGHT, PILOT, RED, LEVELING JACK	2
11	2268522	SWITCH, CHICAGO DASH	2
12	2271823	LIGHT, INDICATOR, BLUE	

QUANTITY REQUIRED IS ONE UNLESS OTHERWISE SPECIFIED.

REVISED 11-27-90

2192P

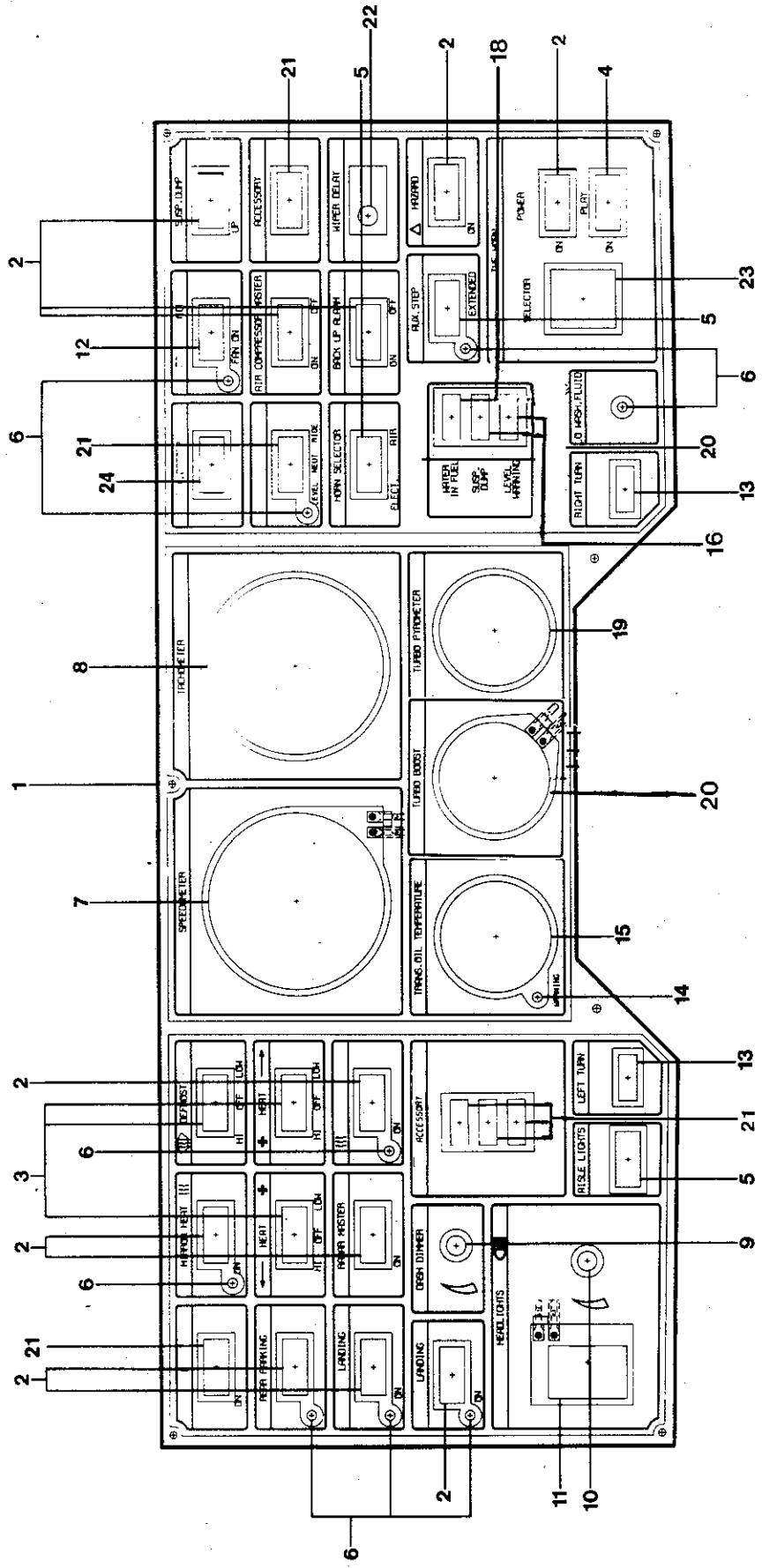
59

# PANEL ASSY., DASH, LOWER

DR 10-13-88 BY LAD  
 APP 10-17-88 BY TRF FRT 8009664 REV



© 1988 BLUE BIRD BODY COMPANY ALL RIGHTS RESERVED



2192P

60

PANEL ASSY., DASH, LOWER

KEY NO.	PART NO.	DESCRIPTION	QTY REQ'D
1	3956745 6022511	PANEL ASSY, DASH, LOWER (PANEL ASSY. COMPLETE W/SWITCHES & GAUGES) PANEL ONLY, (INCLUDES FACE PLATE AND EL PANEL)	
2	2268522	SWITCH, CHICAGO DASH	10
3	2268548	SWITCH, CHICAGO DASH, ON-OFF-ON	3
4	2268555	SWITCH, CHICAGO DASH, MOM. ON	2
5	2268530	SWITCH, CHICAGO DASH, ON-ON	4
6	3866845	LIGHT, LED GREEN	9
7	3765096	SPEEDOMETER, TELEFLEX	
NI	0932475	SENSOR, ELECTRIC, SPEEDOMETER	
8	3963873	TACHOMETER	
<del>NI</del>	<del>0910216</del>	SENDER, TACHOMETER <i>0932475 = MTs - in Bell Housing</i>	
9	3851920	RHEOSTAT, DASH DIMMER <i>same as speedo sender</i>	
NI	2273928	KNOB, DASH DIMMER	
NI	2273928	KNOB, HOOD LIGHT	
10	3851920	RHEOSTAT, 6 OHM, 50 OHM	
11	3839040	SWITCH, HEADLIGHT	
12	3936457	SWITCH, ON/OFF MOM-ON	
13	2271955	LIGHT, GREEN, RECTANGLE, DIRECTIONAL	2
14	3866837	LIGHT, LED	
15	1250471	GAUGE, TRANS OIL TEMP	
NI	1250455	SENDER, OIL TEMP, TRANSMISSION	
16	2271807	LIGHT, PILOT, RED, LEVELING, JACK	2
NI	3843877	LIGHT, INDICATOR, HIGH BEAM, DASH	
18	2271815	LIGHT, INDICATOR, AMBER.	
19	3760923	GAUGE, PYROMETER	
20	3765039	GAUGE, TURBO BOOST	
21	2274165	SWITCH, BLANK, CHICAGO	3
22	3876695	SWITCH, CONTROL WIPER, INTERMITTENT	
23	2268555	SWITCH, HORN	
24	2274165	SWITCH, BLANK, CHICAGO	

QUANTITY REQUIRED IS ONE UNLESS OTHERWISE SPECIFIED.

REVISED 11-27-90

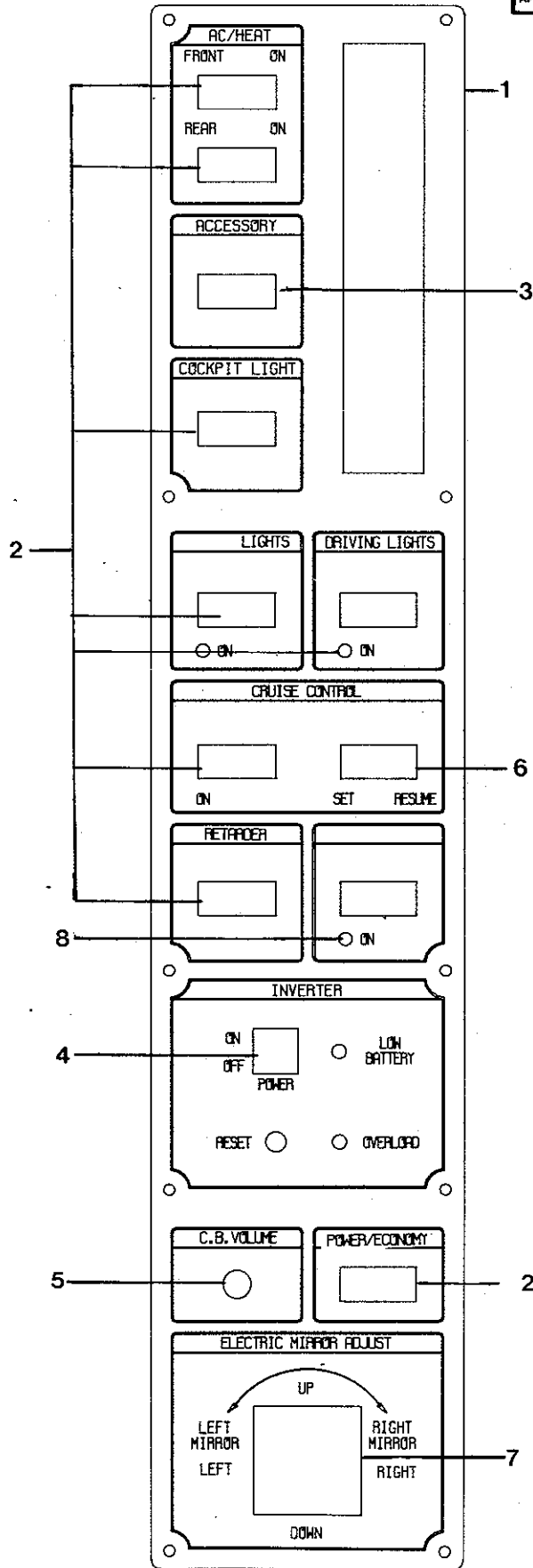
2192P

61

# PANEL ASSY., DASH, SHIFTER

DR.	BY <i>RF</i>	FRT	8009532	REV
APP.	BY			

© 1989 BLUE BIRD BODY COMPANY ALL RIGHTS RESERVED



PANEL ASSY., DASH SHIFTER

KEY NO.	PART NO.	DESCRIPTION	QTY REQ'D
1	3956810 6022693	PANEL ASSY., DASH SHIFTER (COMPLETE W/SWITCHES) PANEL ONLY, (INCLUDES FACE PLATE AND EL PANEL)	
2	2268522	SWITCH	8
3	2274165	SWITCH, BLANK, CHICAGO	2
4	3834223	PANEL, INVERTER	
5	2236990	SWITCH, VOLUMN CONTROL	
6	2268563	SWITCH, CHICAGO, MOM, ON-ON	
7	3907169	SWITCH, MIRROR POSITION CONTROL	
8	3869492	SWITCH, TRANSFER, MOMENTARY	

QUANTITY REQUIRED IS ONE UNLESS OTHERWISE SPECIFIED.

REVISED 11-27-90

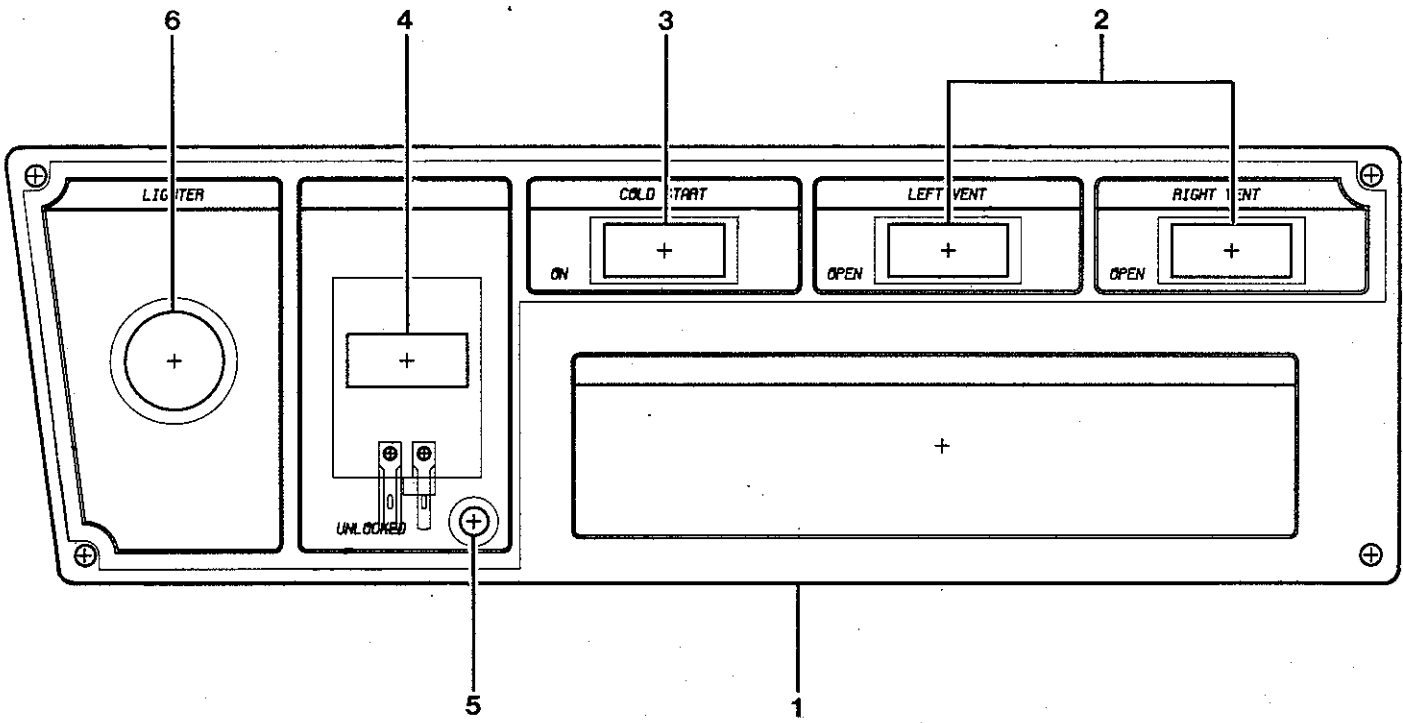
2192P

63

# PANEL ASSY., DASH UPPER, RH

DR 5-10-88 BY LAD	FRT	800784-1	REV
APP	BY		

© 1988 BLUE BIRD BODY COMPANY ALL RIGHTS RESERVED



PANEL ASSY., DASH UPPER, RH

KEY NO.	PART NO.	DESCRIPTION	QTY REQ'D
1	3956786 6022669	PANEL ASSY., DASH RH UPPER (PANEL ASSY. COMPLETE W/SWITCHES) PANEL ONLY, (INCLUDES FACE PLATE AND EL PANEL)	
2	2268522	SWITCH, CHICAGO DASH	2
3	2268555	SWITCH, CHICAGO DASH, MOM ON	
4	2268563	SWITCH, CHICAGO DASH	
5	3866845	LIGHT, GREEN	
6	2018406	LIGHTER, CIGARETTE	

QUANTITY REQUIRED IS ONE UNLESS OTHERWISE SPECIFIED.

REVISED 11-27-90

2192P

65

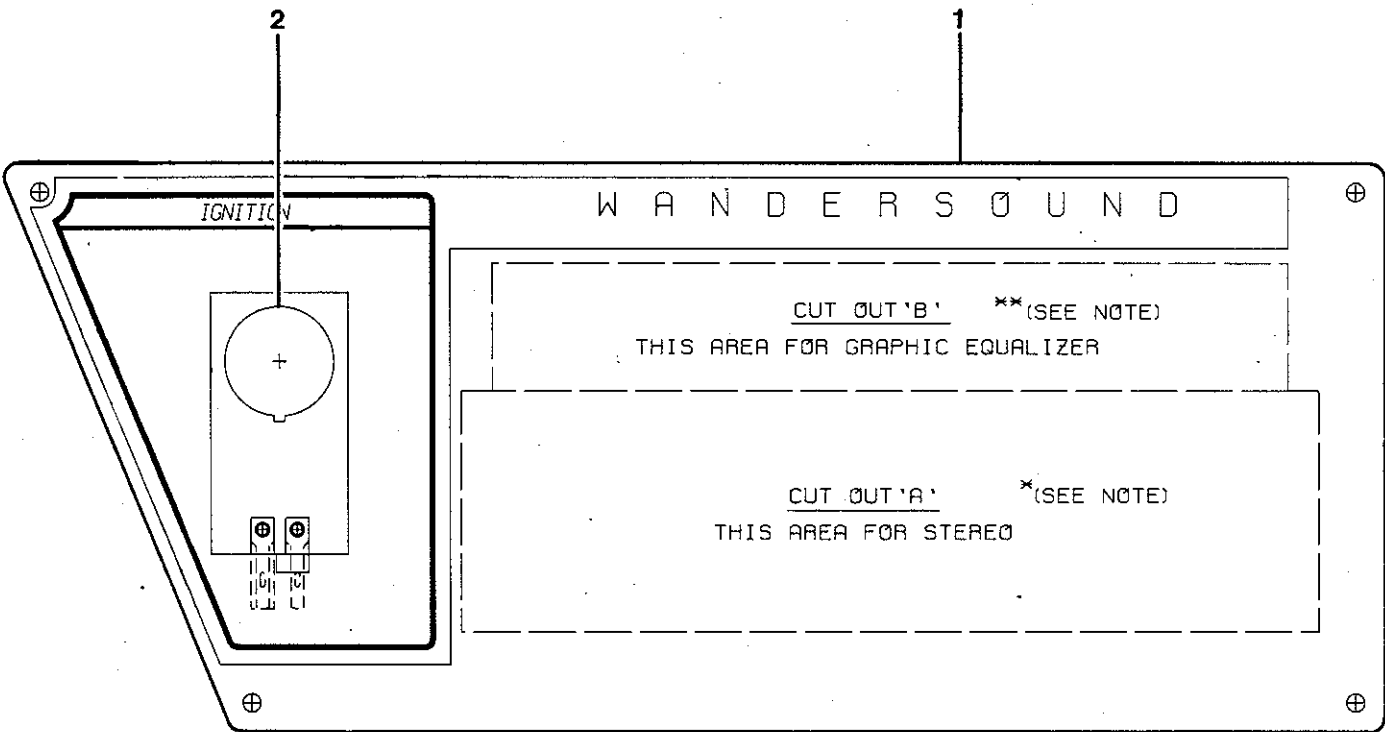
PANEL ASSY., DASH LOWER, RH

DR. 5-10-88	BY LAD	FRT	8007874	REV
APP	BY			



© 1988 BLUE BIRD BODY COMPANY ALL RIGHTS RESERVED

BLUE BIRD





PANEL ASSY., DASH LOWER, RH

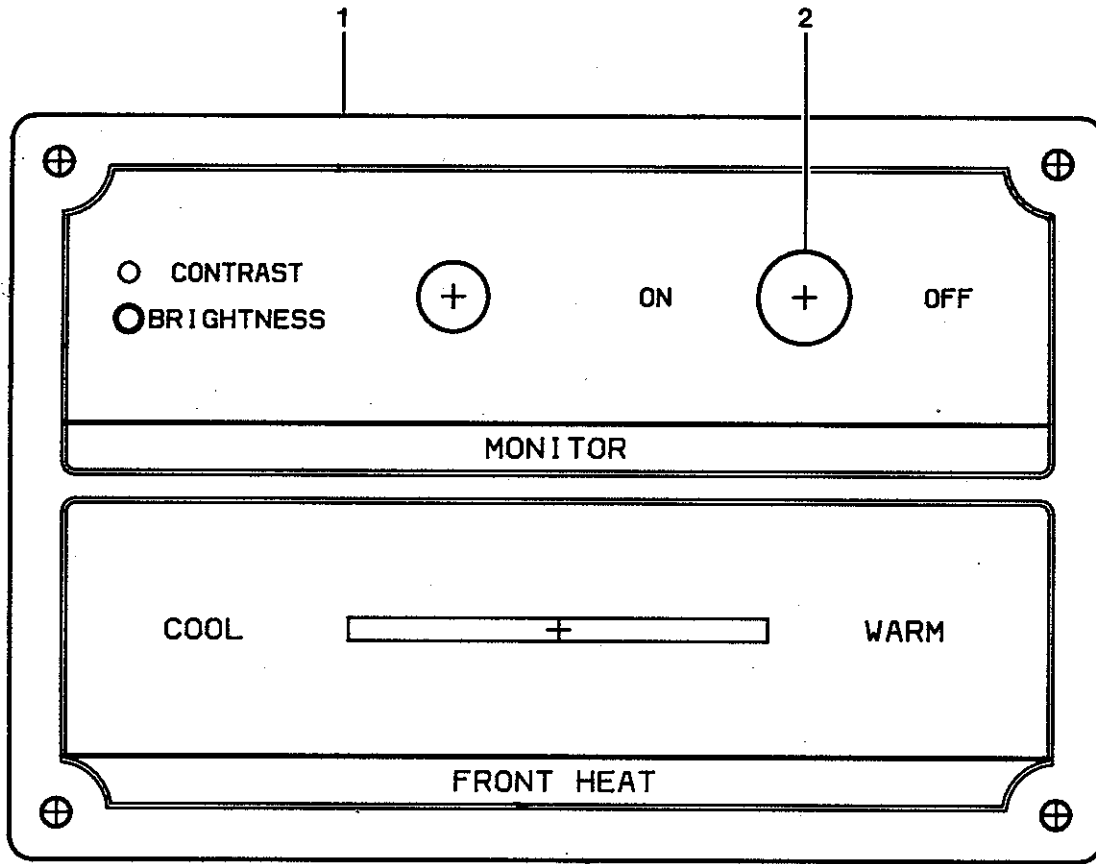
KEY NO.	PART NO.	DESCRIPTION	QTY REQ'D
1	3956794 6022651	PANEL ASSY., DASH, RH LOWER (COMPLETE WITH SWITCHES AND GAUGES) PANEL ONLY, (INCLUDES FACE PLATE AND EL PANEL)	
2	1249382	SWITCH, IGNITION LOCK W/KEYS	

QUANTITY REQUIRED IS ONE UNLESS OTHERWISE SPECIFIED.  
 REVISED 11-27-90 2192P 67

PANEL ASSY., DASH LOWER AUXILIARY, LH

DR 5-10-88 BY LAD		
APP.	BY	FRT 80078

© 1988 BLUE BIRD BODY COMPANY ALL RIGHTS RESERVED



PANEL ASSY., DASH LOWER AUXILIARY, LH

KEY NO.	PART NO.	DESCRIPTION	QTY REQ'D
1	3963808 6022677	PANEL ASSY., DASH, LH, LOWER AUXILIARY (COMPLETE) PANEL ONLY, DASH LH LOWER AUXILLIARY	
2	2219251	SWITCH, FOG LIGHTS	
NI	3858677	POTENTIOMETER, DUAL 500 AND 100K	
NI	3876919	VALVE, MODULATING CHASSIS HEATER	

QUANTITY REQUIRED IS ONE UNLESS OTHERWISE SPECIFIED.

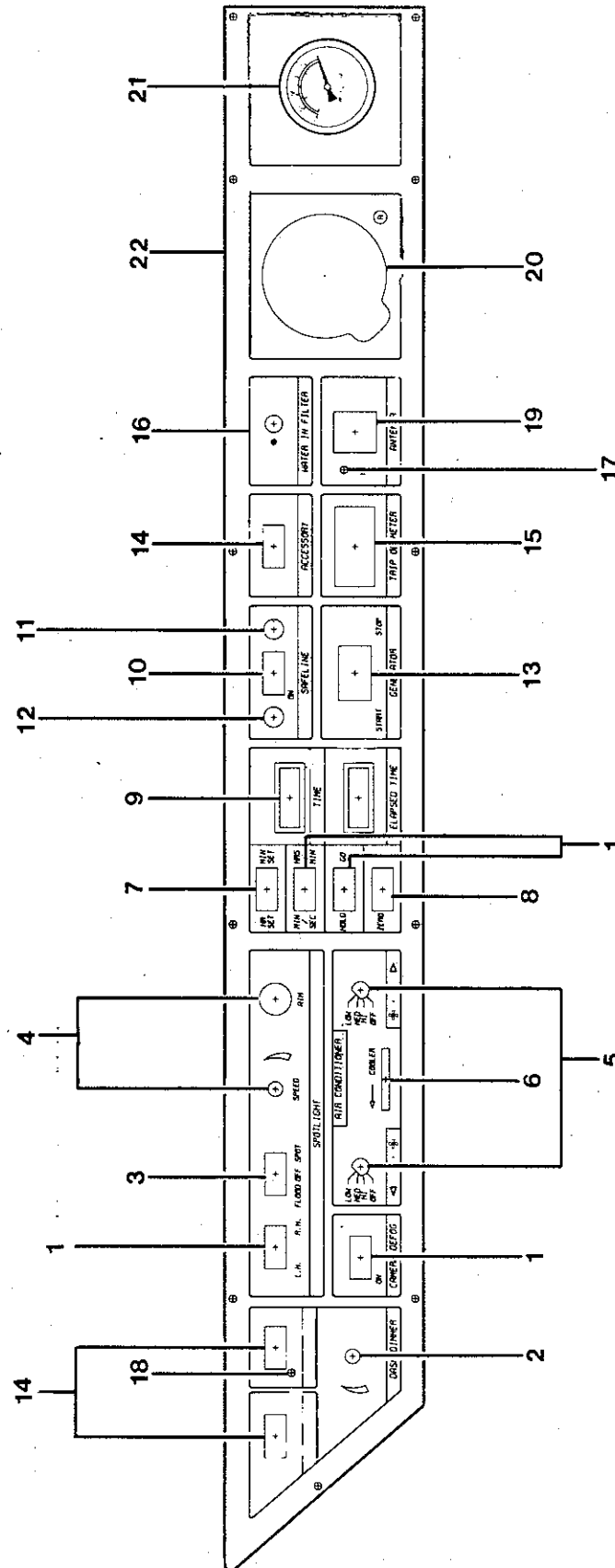
REVISED 11-27-90

2192P

69

PANEL ASSY., DASH OVERHEAD AUXILIARY, LH

8009540 REV  
ALL RIGHTS RESERVED

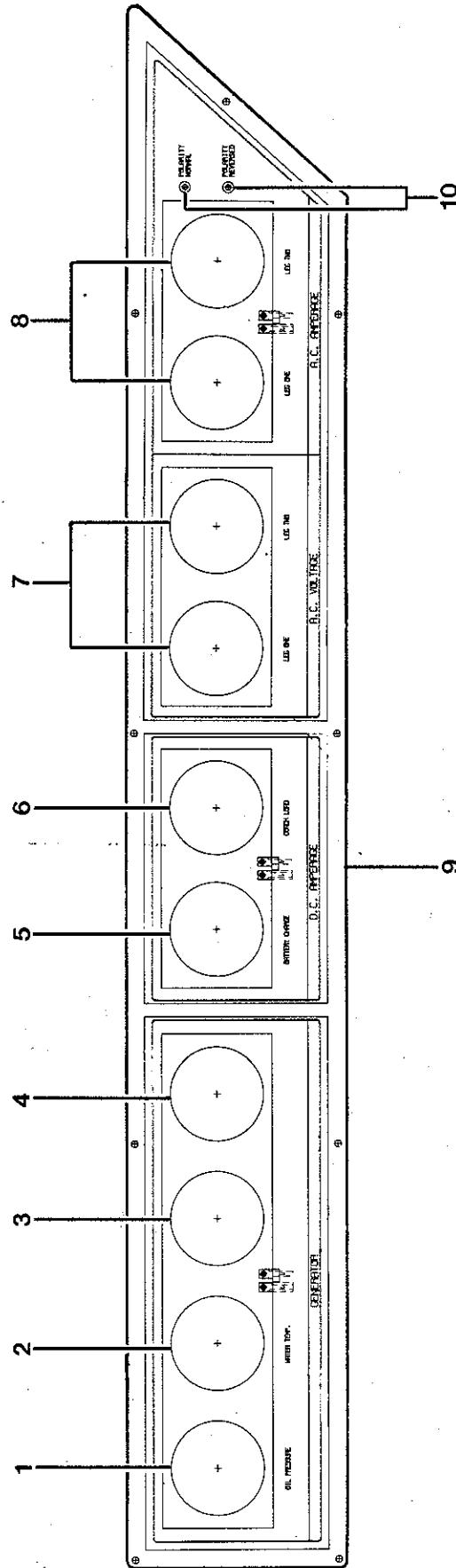


PANEL ASSY., DASH OVERHEAD AUXILIARY, LH

KEY NO.	PART NO.	DESCRIPTION	QTY REQ'D
1	2268522	SWITCH, CHICAGO DASH	4
2	3943131	RHEOSTAT, DASH DIMMER	
NI	2273928	KNOB, LOWER DASH RHEOSTAT	
3	2268548	SWITCH, CHICAGO DASH, ON-OFF-ON	
4	3756012	SWITCH ASSY., SPEED & AIM	
NI	2105476	SWITCH, SPEED	
NI	2105351	SWITCH, AIM	
5	3856721	SWITCH, DASH, MOTIVE AIR	
NI	3758521	KNOB, A/C SWITCH, MOTIVE AIR	
NI	2255461	WASHER, FLAT, TYPE 1/2	
6	3767613	THERMOSTAT, LEVER TYPE, CHASSIS AIR	
NI	3767621	KNOB, THERMOSTAT, CHASSIS AIR	
7	2268563	SWITCH, CHICAGO, MOM ON-ON	
8	2268555	SWITCH, CHICAGO, DASH, MOM ON	
9	2272383	CLOCK, TIME AND ELAPSE TIME	
10	2268530	SWITCH, CHICAGO DASH, ON-ON	
11	4011268	LIGHT, YELLOW, SAFE LINE	
12	4011276	LIGHT, RED SAFE LINE	
NI	3809779	BUZZER, SAFE LINE	
13	3959111	SWITCH, GENERATOR MOM ON-OFF, MOM ON	
NI	3959145	LIGHT, LED (GREEN P LIGHT)	
14	2274165	SWITCH, BLANK, CHICAGO	3
15	3765021	GAUGE, TRIP ODOMETER	
16	3743929	ALARM, FUEL FILTER, WATER CONTAMINATION	
17	3866837	LIGHT, LED (RED P LIGHT)	
18	3866845	LIGHT, LED (GREEN P LIGHT)	
19	2268563	SWITCH, CHICAGO, MOM ON-ON	
20	3930039	VACUUM GAUGE KIT, RACOR FUEL FILTER	
NI	2250363	BUSHING, HEX, BRASS 1/4 X 1/8	
21		NOT APPLICABLE	
22	3956760	PANEL ASSY., DASH, OH AUX. LH (PANEL ASSY COMPLETE W/GAUGES AND SWITCHES)	
	6022503	PANEL ONLY, DASH, OH AUX. LH (INCLUDES FACE PLATE AND EL PANEL)	

PANEL ASSY., DASH OVERHEAD AUXILIARY, RH

8007833	REV
ALL RIGHTS RESERVED	



PANEL ASSY., DASH OVERHEAD AUXILIARY, RH

KEY NO.	PART NO.	DESCRIPTION	QTY REQ'D
1	3930815	GAUGE, OIL PRESSURE, ELECTRICAL	
NI	1352053	SENDER, OIL PRESSURE	
2	3930807	GAUGE, WATER TEMPERATURE	
NI	1078781	SENDER, WATER TEMP	
3		NOT APPLICABLE	
4		NOT APPLICABLE	
5	3847357	GAUGE, AMPERE 150-0-150	
6	3847381	GAUGE, AMPERE 0-300	
7	3847373	GAUGE, VOLTMETER 60-140	
8	3847365	GAUGE, AMPERE 0-50	
9	3956778	PANEL ASSY, OVERHEAD, AUX. DASH, RH (PANEL COMPLETE W/GAUGES)	
	6022685	PANEL ONLY, (INCLUDES FACE PLATE AND EL PANEL)	
10	3880770	INDICATOR, REVERSED POLARITY, INSIDE	

QUANTITY REQUIRED IS ONE UNLESS OTHERWISE SPECIFIED.

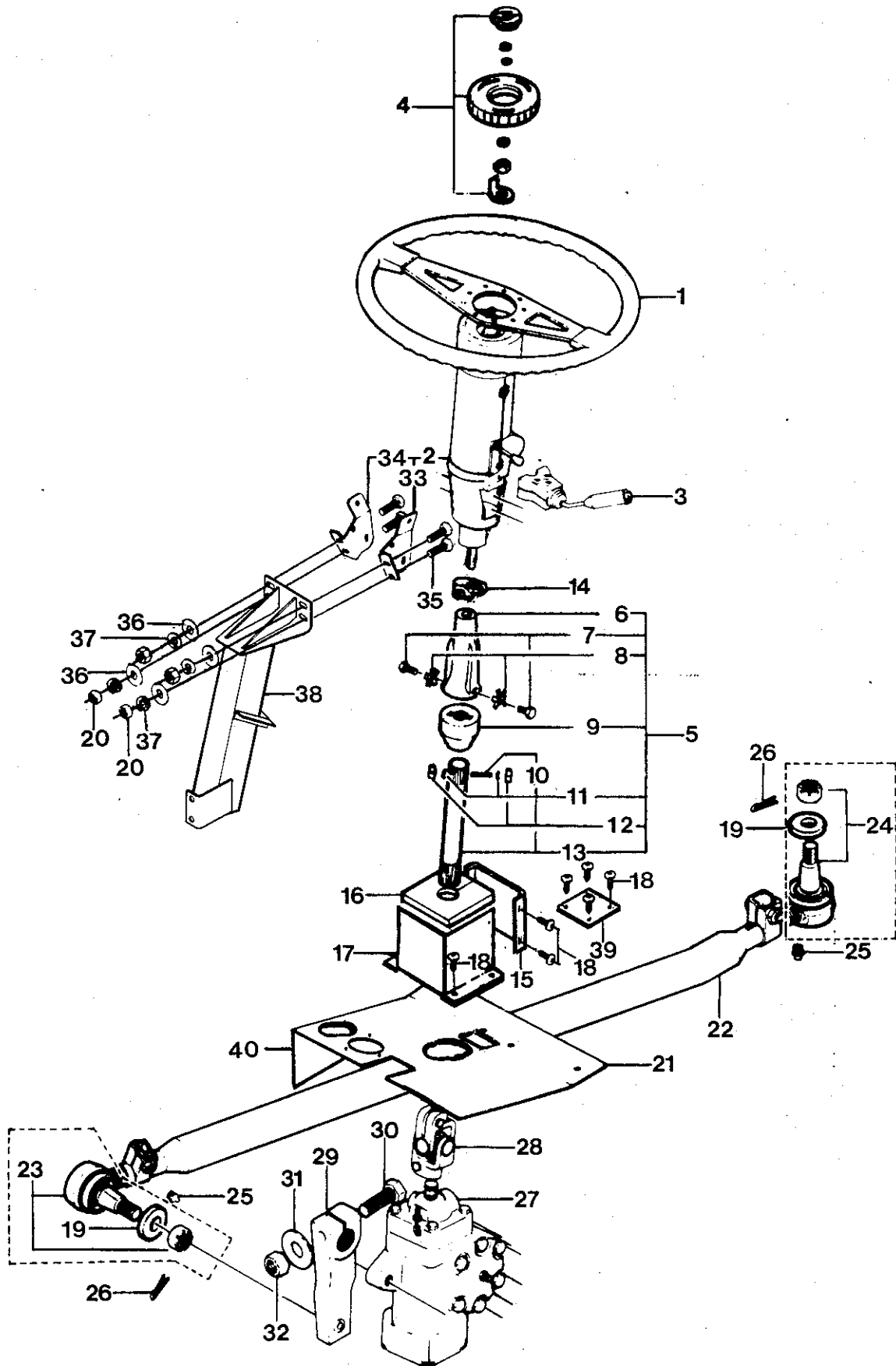
REVISED 11-27-90

2192P

73

# STEERING LINKAGE

DR 9/26/88 BY MAC J.	FRT	8008633	REV
APP 10-20-88 BY R.H.E.			
© 1988 BLUE BIRD BODY COMPANY ALL RIGHTS RESERVED			





## STEERING LINKAGE

KEY NO.	PART NO.	DESCRIPTION	QTY REQ'D
1	3882453	STEERING WHEEL, CUSTOM	
2	1406800	COLUMN ASSY., TILT/TELESCOPING, STEERING	
3	1406065	SWITCH ASSY., TURN SIGNAL, SELF CANCELLING	
NI	3841335	KNOB, LOCKING, TELESCOPING STEERING COLUMN	
NI	3841350	STOP, STEERING WHEEL, TELESCOPING LOCKING	
4	3870037	BUTTON, HORN	
5	1352665	COUPLING & SHAFT ASSY., FLEXIBLE	
6	1328327	COUPLING, SHELL, STEERING, SHELL	
7	1255017	CAPSCREW, COUPLING, SHELL	2
8	1255009	WASHER, TONGUED, COUPLING, SHELL	2
9	1255033	RUBBER SHIELD, STEERING SHAFT, LOWER	
10	1255140	PIN, STEERING SHAFT, LOWER	
11	1254986	WASHER, WHEEL SHAFT, WAVE	2
12	1254994	BUTTON, WHEEL SHAFT SLIDE	2
13	1332170	SHAFT & PIN ASSY.	
14	1255041	CLAMP ASSY., STEERING COUPLING SHELL	
15	1339605	BRACKET, COVER, END, UNIVERSAL JOINT, STEERING	
16	1339308	SHIELD, RUBBER, UNIVERSAL JOINT, STEERING	
17	1337567	BRACKET COVER, UNIVERSAL JOINT, STEERING	
18	2000511	SCREW, 10 X 1/2	AR
19	0961235	WASHER, FLAT	2
20	2001451	NUT, HEX, 3/8 - 16	4
21	1422351	TOEBOARD W/ACCESS HOLE & AIR THROTTLE	
22	1331057	DRAG ROD TUBE, VERTICAL JOINT	
23	1300383	TIE ROD END, FRONT	
24	1300391	TIE ROD END, REAR	
25	2027431	FITTING, 1/8 MPT, STRAIGHT, GREASE	2
26	1420744	COTTER PIN, 5/32 DIA. X 2 1/2 LONG	2
27	1282920	GEAR, POWER STEERING, HFB-70	
NI	4280087	KIT, SEAL, STEERING GEAR	
28	1302728	JOINT, UNIVERSAL, STEERING	
29	1330919	ARM, PITTMAN, 8.75, PURCHASED	
30	1021815	BOLT, HEX 3/4-10 X 4 1/2	
31	0870915	WASHER, 3/4	
32	0933879	NUT, HEX, 3/4-10	
33	1320118	BRACKET, SIDE, STEERING COLUMN MOUNTING RH	
34	1320126	BRACKET, SIDE, STEERING COLUMN MOUNTING LH	
35	0559195	BOLT, HEX HD., 3/8-16 NC X 1	4
36	0651422	WASHER, FLAT, 3/8	4
37	0882795	LOCKWASHER, 3/8"	4
38	1352111	BRACKET ASSY., SUPPORT, STEERING COLUMN	
39	1352558	PLATE, COVER, TOEBOARD	
40	1422385	SUPPORT, TOEBOARD, RH	
NI	0998450	BOLT, HEX 3/4-16 X 1 3/4	6
NI	0998443	BOLT, 7/8-14 UNF X 2" LONG	

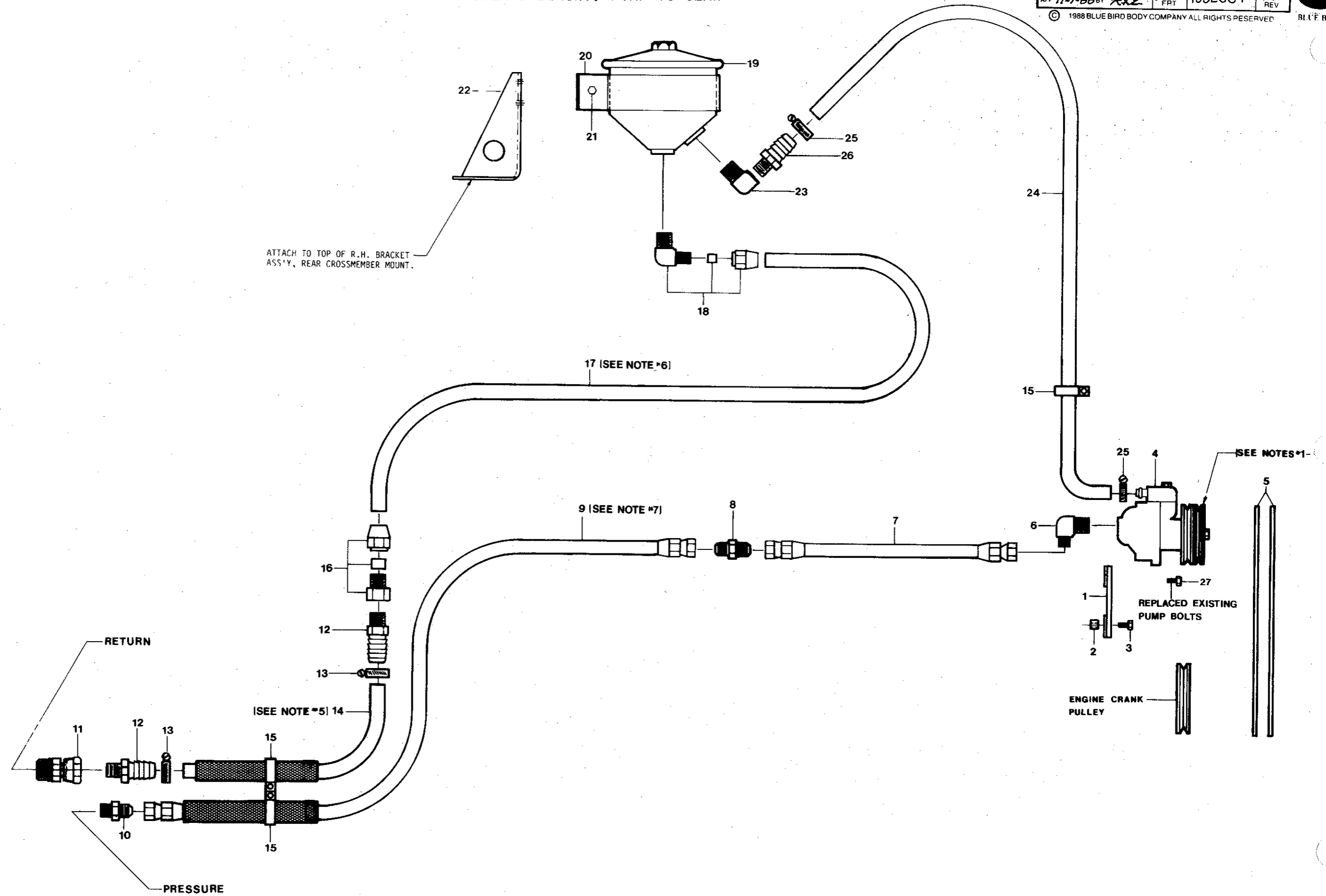
QUANTITY REQUIRED IS ONE UNLESS OTHERWISE SPECIFIED.

REVISED 11-27-90

2192P

75

POWER STEERING, PUMP TO GEAR



POWER STEERING, PUMP TO GEAR

KEY NO.	PART NO.	DESCRIPTION	QTY REQ'D
1	1426386	PLATE, MOUNTING, POWER STEERING PUMP	
2	0771873	SPACER, ALTERNATOR ADJUSTING, UPPER	3
3a	0660464	CAPSCREW, HEX HD 7/16-14 X 2 N.C.	3
3b	1134097	WASHER, FLAT, 15/32 X 1 1/8 X 5/64	3
3c	2001204	LOCKWASHER, HEAD, 7/16	3
4	1389725	PUMP ASSY., P/S	
5	1333061	BELT SET, MATCHED, 52 3/4 X 1/2	
6	1166107	ELBOW, 90 DEG., SAE, 37 DEG., FLARE	
7	1165059	HOSE ASSY., POWER STEERING, PRESSURE, 1/2 I.D., 60"	
8	1200344	UNION, MALE, SAE	
9	1165042	HOSE ASSY., POWER STEERING, PRESSURE, 1/2 I.D., 385"	
10	1305259	CONNECTOR, O-RING	
11	0876649	ADAPTER, SWIVEL, UNION	
12	1313840	INSERT, BARBED, STRAIGHT, .625 HOSE X .375 MP	2
13	1025857	CLAMP, HOSE, SIZE 8, LINED	2
14	1313774	HOSE, .625 I.D. X .90L O.D., (80")	
15	0557710	CLAMP, CLOSED TYPE, INSL., 13/16	3
16	1204395	CONNECTOR, 5/8 TUBE TO 3/8 FPT	
17	2027407	TUBING, COPPER, 5/8, TYPE L, (33'FT.)	
18	0754879	ELBOW, 1/2 MALE PIPE X 5/8 TUBE	
19	1373778	RESERVOIR ASSY., P/S, 1 QT. HAND FILL	
20	1131390	STRAP, POWER STEERING, RESERVOIR MOUNTING	
21a	2000107	CAPSCREW, HEX HD. 1/4-20 X 3 1/2	
21b	2001337	NUT, HEX, NC 1/4-20	
22	1352483	BRACKET, MOUNTING, RESERVOIR, POWER STEERING	
23	2008274	ELBOW, 90 DEG.	
24	2003366	HOSE, 3/4 I.D., BRAID, BLACK, (31" LONG)	
25	2008522	CLAMP, 1" HOSE	2
NI	0870907	WASHER, FLAT, 11/16 X 1 3/16 X 1/8	
26	2051134	INSERT, BARBED, 3/4 HOSE X 1/2 PIPE	
27	0803197	CAPSCREW, HEX HEAD, GR. 8, 3/8-16 X 3	3

QUANTITY REQUIRED IS ONE UNLESS OTHERWISE SPECIFIED.

REVISED 11-27-90

2192P

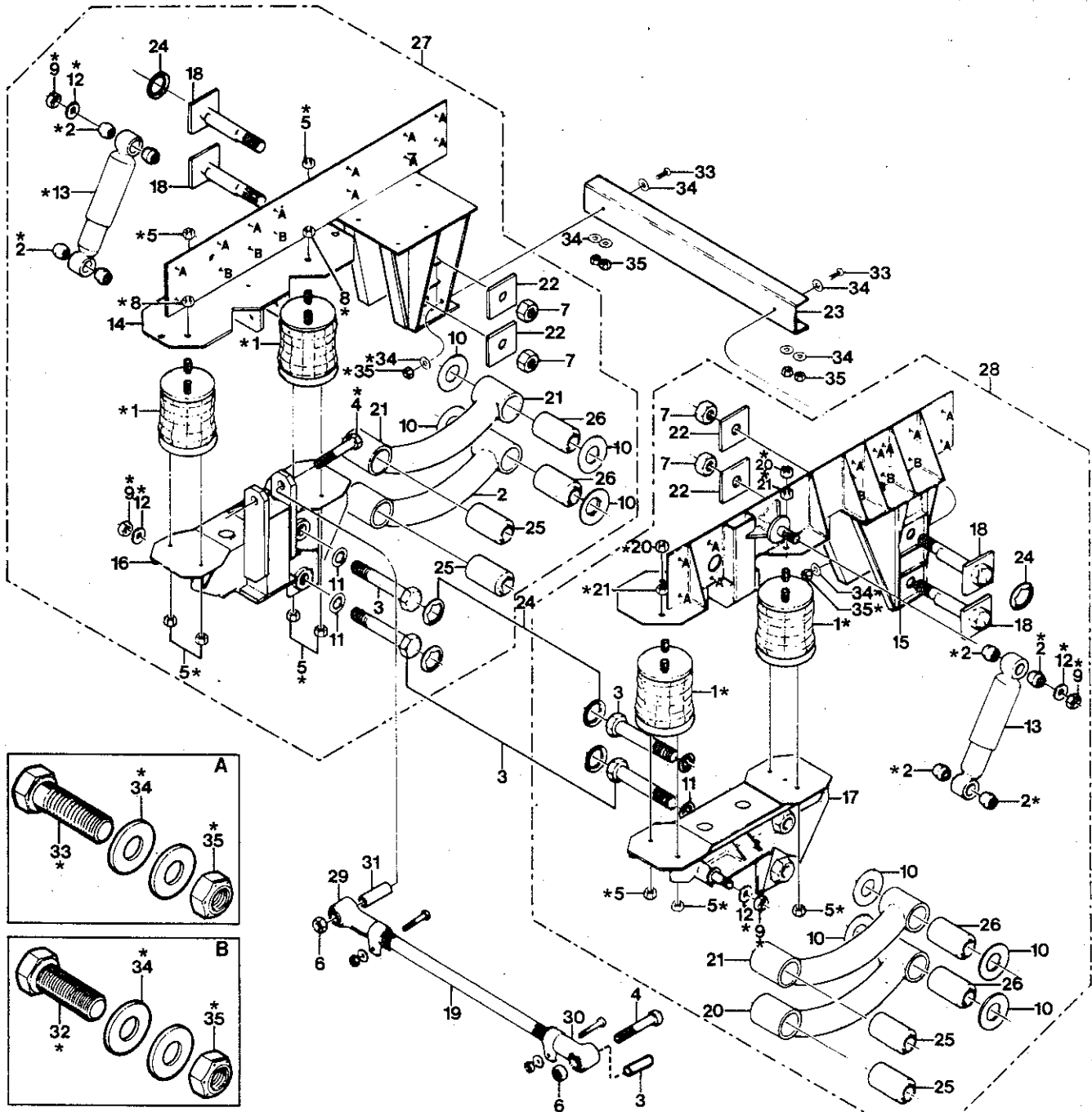
77

# FRONT SUSPENSION

DR. 10-7-86 BY Andrew 8006470  
 APP. BY

FRONT

© 1985 BLUE BIRD BODY COMPANY  
 ALL RIGHTS RESERVED



\* THESE ITEMS ARE NOT INCLUDED AS PARTS FOUND IN ASSEMBLY ITEMS 27 & 28.

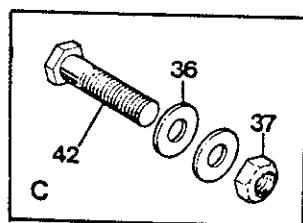
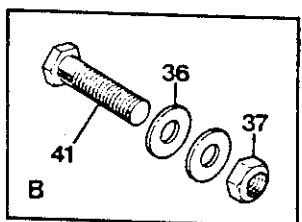
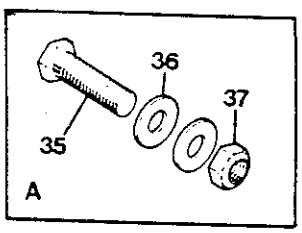
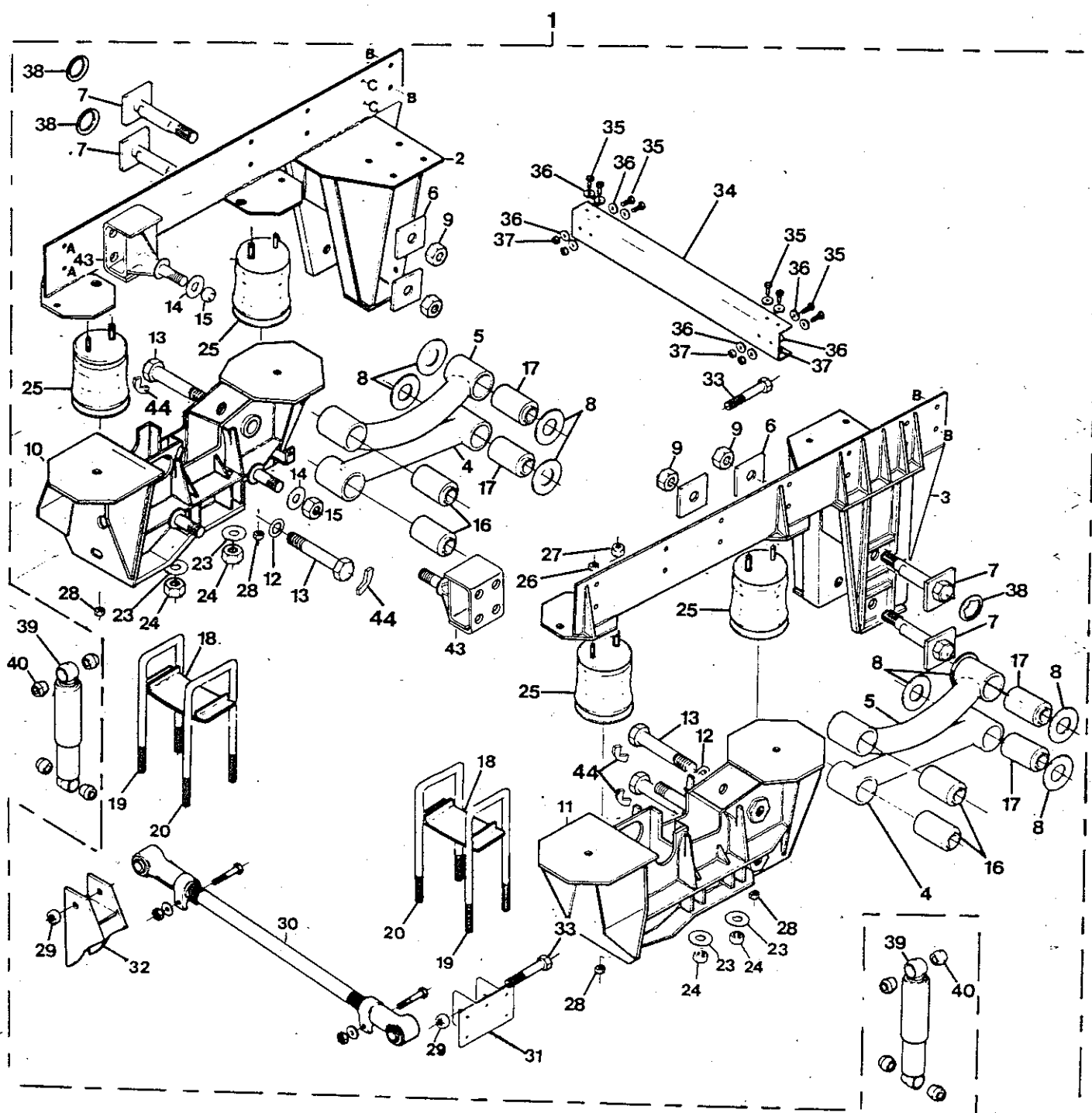
FRONT SUSPENSION

KEY NO.	PART NO.	DESCRIPTION	QTY REQ'D
1	1349042	AIR SPRING, RIDEWELL FRONT SUSPENSION	4
2	0614982	BUSHING, CHOCK ABSORBER	8
3	0961409	BOLT, HEX HEAD, 1 1/2-6 X 7", P & O	4
4	1085380	BOLT, 1-8X6, HEX GRADE 8, P & O, 1 3/8 THD	2
5	0961458	NUT, HEX, LOCKING, 1/2-13, CAD. PLTD.	16
6	1286871	NUT, LOCKING 1-8 HEX, NYLON INSERT, GRADE 5	2
7	1077221	NUT, HEX, LOCKING 1 1/4" - 7 CADMIUM	4
8	0985549	NUT, HEX, LOCKING 3/4"-16	4
9	1105782	NUT, HEX, LOCKING, 1-8, NYLON INSERT-THIN	4
10	1243807	WASHER, BEARING, SLEEVE, RIDEWELL SUSPENSION	8
11	0961417	BUSHING, TORQUE BEAM, SOFT RUBBER	4
12	1087329	WASHER, 2" O.D., SHOCK STUD	4
13	1235233	SHOCK ABSORBER, KONI 90-1968	2
14	1349018	HANGER RAIL ASSY., RIDEWELL, FRONT, LH	
15	1349000	HANGER RAIL ASSY., RIDEWELL, FRONT, RH	
16	1349034	BEAM ASSY., LOWER, RIDEWELL FRONT, LH	
17	1349026	BEAM ASSY., LOWER, RIDEWELL FRONT, RH	
18	0961847	BOLT ASSY., ECCENTRIC, RIDEWELL .114 THICK	4
19	1349083	SWAY BAR ASSY., RIDEWELL REAR SUSPENSION	
20	1286764	TORQUE BEAM ASSY., RIDEWELL SUSPENSION	2
21	1286756	TORQUE BEAM ASSY., UPPER, RIDEWELL SUSPENSION	2
22	0961839	CLAMPING PLATE ASSY.	4
23	1349067	CHANNEL, CROSSBRACE, RIDEWELL FRT. SUSPENSION	
24	0961375	WASHER, ANTI-TURN, RIDEWELL SUSPENSION	8
25	0961573	BUSHING, TORQUE BEAM, SOFT RUBBER	4
26	0961581	BUSHING, TORQUE BEAM, HARD RUBBER	4
27	1348994	HANGER & BEAM ASSY., STEERING AXLE, LH	
28	1348978	HANGER & BEAM ASSY., STEERING AXLE, RH	
29	2122216	END ASSY., SWAY BAR, LH	
30	2122208	END ASSY., SWAY BAR, RH	
31	2159879	BUSHING, SWAY BAR	2
32	0803148	BOLT, HEX 1/2-13 X 1 3/4, GR. 8	
33	0803239	BOLT, HEX 1/2-13 X 1 1/2, GR. 8	
34	1003045	WASHER, FLAT 17/32 X 1 1/16	
35	0850800	NUT, HEX LOCKING 1/2-13, GR. 8	

QUANTITY REQUIRED IS ONE UNLESS OTHERWISE SPECIFIED.

# REAR SUSPENSION

DP 5-30-85 BY KRS  
APP 7-3-85 BY OVB  
1233022  
FRONT  
© 1985 BLUE BIRD BODY COMPANY  
ALL RIGHTS RESERVED



REAR SUSPENSION

KEY NO.	PART NO.	DESCRIPTION	QTY REQ'D
1	1349091	SUSPENSION SYSTEM, COMPLETE (REFERENCE ONLY)	
2	1349158	HANGER RAIL ASSY., LH	
3	1349141	HANGER RAIL ASSY., RH	
4	1064385	TORQUE BEAM ASSY., LOWER	2
5	1064393	TORQUE BEAM ASSY., UPPER	2
6	0961839	CLAMPING PLATE ASSY.	4
7	0961847	ECCENTRIC BOLT ASSY.	4
8	1243807	WASHER, BEARING SLEEVE	8
9	1077221	NUT, HEX, LOCKING, 1 1/4-7 NC, CAD. PLTD.	4
10	1349174	LOWER BEAM ASSY., LH	
11	1349166	LOWER BEAM ASSY., RH	
12	0961417	WASHER, LOCK, 1 1/2 INT. TOOTH	4
13	0961409	CAPSCREW, 1 1/2-6 X 7" LONG	4
14	1087329	WASHER, FLAT, 2 O.D. SHOCK STUD	8
15	1105782	NUT, LOCK, 1"-8 N.C. NYLON INSERT (THIN)	8
16	0961581	BUSHING, TORQUE BEAM, HARD RUBBER	4
17	0961581	BUSHING, TORQUE BEAM, HARD RUBBER	4
18		SPACER PLATE ASSY.	2
	1349257	RH	
	1349273	LH	
19	0961201	U-BOLT, 7/8-14-14" LONG	2
20	1087352	U-BOLT 7/8-14, 5 3/8 X 14 1/2	2
23	0961235	WASHER, FLAT 7/8	8
24	1095892	NUT, HEX 7/8-14, GD. 5, ZINC PLTD.	8
25	1349182	AIR SPRING, REAR SUSPENSION	4
26	0961458	NUT, LOCK 1/2-13	4
27	0985549	NUT, 3/4-16 THIN LOCK CAD. PLTD.	4
28	0961276	NUT, LOCK, 3/4-10	4
29	1286871	NUT, HEX 1-8, NYLON INSERT, ZINC PLTD.	2
30	1349075	SWAY BAR ASSY.	
NI	2122224	BUSHING ONLY, SWAY BAR	
NI	2122216	END ASSY., LH SWAY BAR	
NI	2122208	END ASSY., RH SWAY BAR	
31	1349216	BRACKET, SWAY BAR MT., FRAME, RR	
32	1349232	BRACKET, SWAY BAR MT., AXLE, REAR	
33	1085380	BOLT, 1/8 X 6, HEX GD. 8 PHOS & OIL	2
34	1350487	CHANNEL, CROSSBRACE, REAR SUSPENSION	
35	0803239	BOLT, HEX 1/2-13 X 1 1/2 GD. 8	AR
36	1003045	WASHER, FLAT 17/32 X 1 1/16 CAD. PLTD.	AR
37	0850800	NUT, HEX LOCKING 1/2-13 GD. 8	AR
38	0961375	WASHER, ANTI-TURN	4
39	1350628	SHOCK ABSORBER, KONI (BUSHINGS INCLUDED)	4
40	0614982	BUSHING, SHOCK ABSORBER (REFILL)	
41	0803148	BOLT, HEX 1/2-13 X 1 3/4	AR
42	0803163	BOLT, HEX 1/2-13 X 2 1/2, GD. 8	AR
43	1349190	BRACKET, SHOCK MTG, REAR SUSPENSION RR	2

QUANTITY REQUIRED IS ONE UNLESS OTHERWISE SPECIFIED.

REAR SUSPENSION

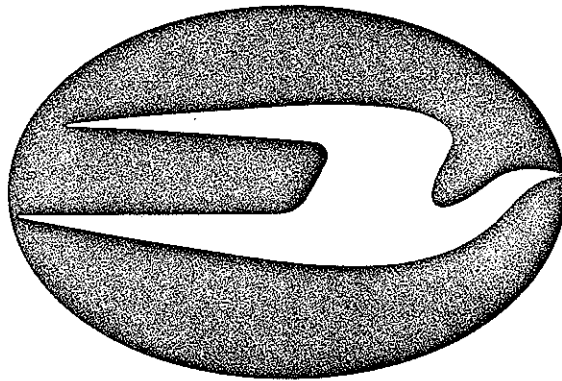
KEY NO.	PART NO.	DESCRIPTION	QTY REQ'D
44	1101062	PLATE, ANTI-TURN	
NI	1234061	BRACKET, SUPPORT BRAKE CAMSHAFT	
NI	1107879	BOLT, HEX 5/8 X 11 X 1 3/4, GR. 8	
NI	0939827	NUT, LOCK, 5/8 X 11, GR. 8	
NI	0929018	WASHER, 21/32 I.D.	
NI	2129195	ADAPTER, OFFSET RIDEWELL SUSP.	
NI	2129187	SOCKET, 2 3/16"	
NI	1028786	LINK ASSY., LEVELING VALVE	
NI	1114040	BRACKET MOUNTING, LEVELING VALVE	
NI	2138436	TOOL, BUSHING INSTALLATION, SWAY BAR	
NI	2138345	TOOL, BUSHING INSTALLATION, TORQUE BEAM	

QUANTITY REQUIRED IS ONE UNLESS OTHERWISE SPECIFIED.

REVISED 11-27-90

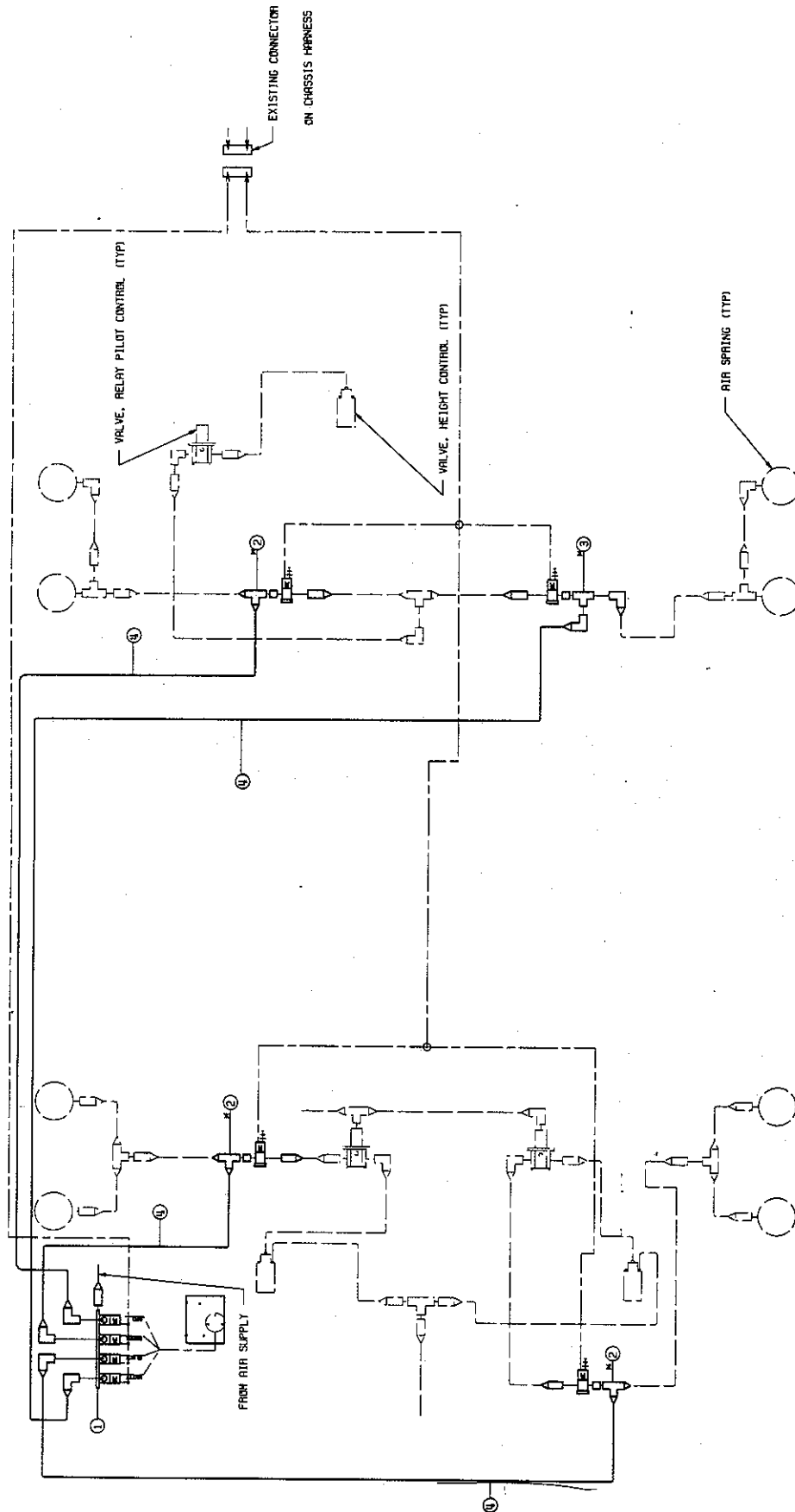
2192P





**BLUE BIRD**

# AIR LEVELING SYSTEM OPTION 5640-02

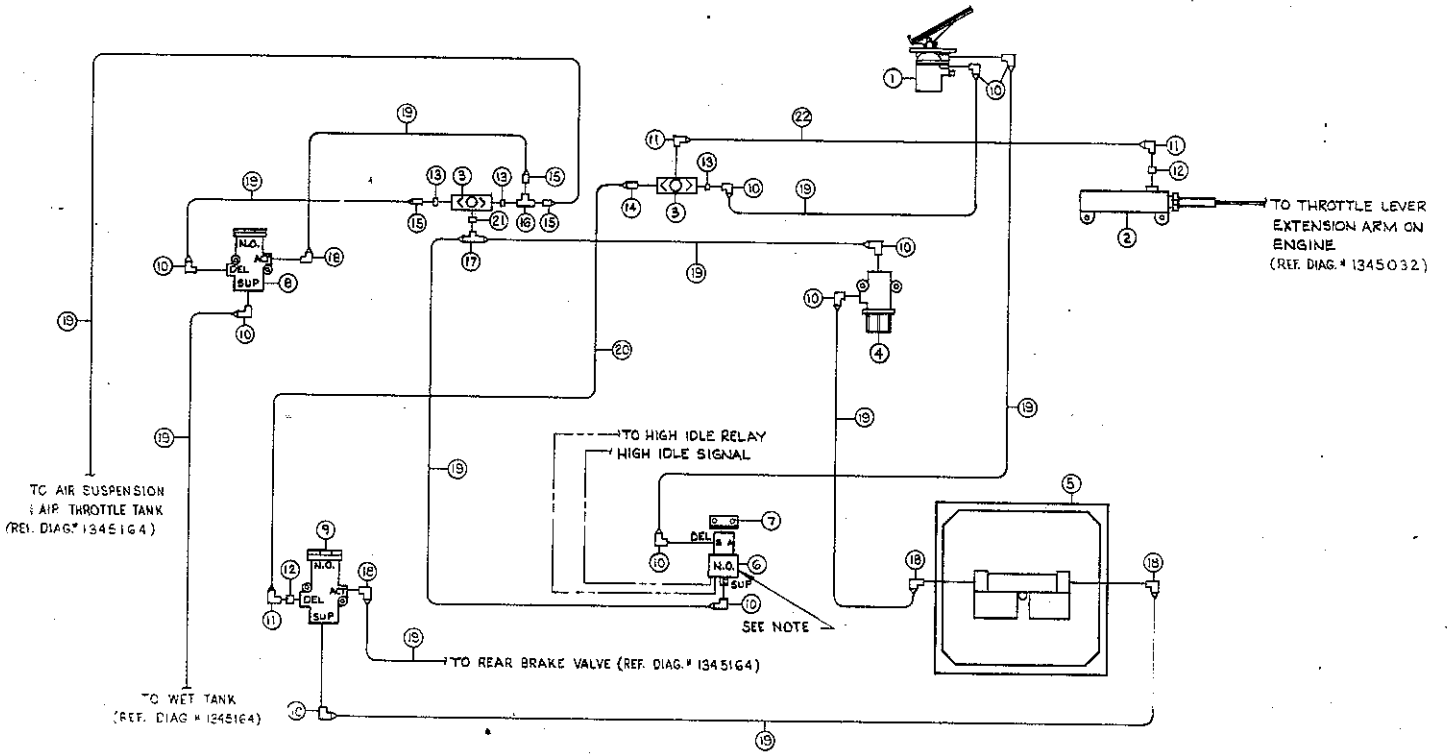


AIR LEVELING SYSTEM  
OPTION 5640-02

KEY NO.	PART NO.	DESCRIPTION	QTY REQ'D
1	1345297	BRACKET ASSY., AIR LEVELING SYSTEM	
2	1282011	VALVE ASSY., SOLENOID, NORMALLY CLOSED, 2 WAY, FRONT SUSPENSION	3
3	1354448	VALVE, ASSY., SOLENOID, NORMALLY CLOSED, 2 WAY	
4	2008431	TUBING, COPPER, 1/4"	
NI	1356427	HARNES, WIRING, AIR LEVELING SYSTEM	

QUANTITY REQUIRED IS ONE UNLESS OTHERWISE SPECIFIED.

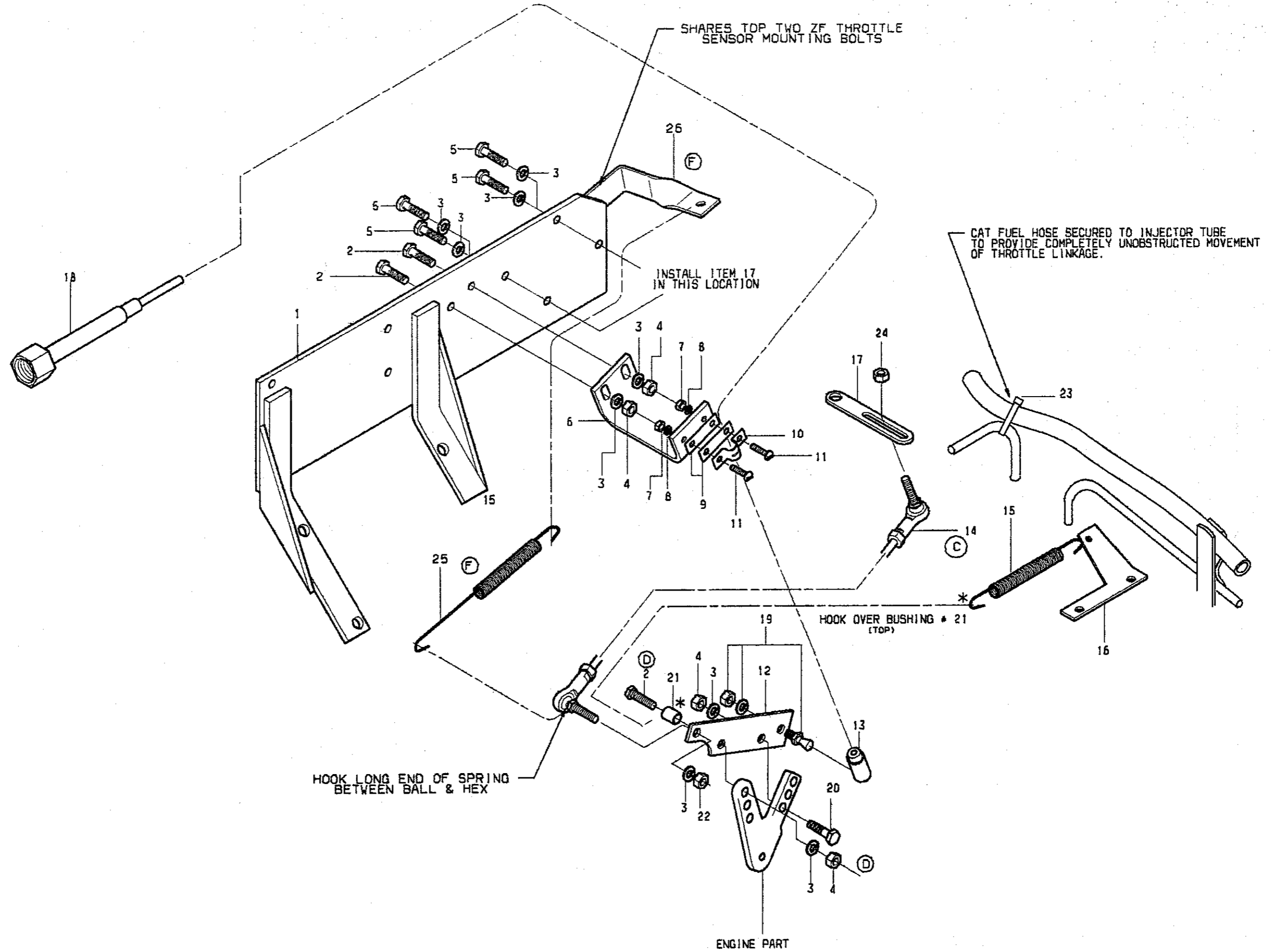
# AIR THROTTLE CONTROL



AIR THROTTLE CONTROL

KEY NO.	PART NO.	DESCRIPTION	QTY REQ'D
1	1252204	VALVE, TREADLE, AIR THROTTLE CONTROL	
2	1087428	CYLINDER, AIR, CC-5, CRUISE CONTROL	
3	0654434	VALVE, DOUBLE CHECK, 3/8 PIPE	
4	1087436	VALVE, PRESSURE REDUCING, CRUISE CONTROL	
5	1087410	MODULE, BENDIX, CRUISE CONTROL	
6	1124544	VALVE, SOLENOID, NORMALLY OPEN	
7	1248319	BRACKET, MOUNTING, ALLENAIR VALVE, CRUISE CONTROL	
8	1102920	VALVE, INVERSION TR-3, AIR THROTTLE	
9	1087444	VALVE, INVERSION, CRUISE CONTROL	
10	2023935	ELBOW, 269AB 4-4, 1/4 MPT X 1/4 TUBE	
11	2023307	ELBOW, 3/8 MPT X 1/2 TUBE	3
12	0766188	ADAPTER, 3/8 FPT X 1/4 MPT	2
13	2027134	BUSHING, PIPE, 3/8 X 1/4, 3220 X 6 X 4	3
14	2023364	CONNECTOR, 3/8 MPT X 1/2 TUBE	
15	2023224	CONNECTOR, 1/4 MPT X 1/4 TUBE	3
16	0654277	TEE, STREET, 1/4 PIPE, 3750 X 4	
17	0982272	TEE, 1/8 MPT X 1/4 TUBE X 1/4 TUBE	
18	2023786	ELBOW, 269AB-4-2, 1/8 MPT X 1/4 TUBE	4
19	2008431	TUBING, COPPER, 1/4"	
20	2027399	TUBING, 1/2 COPPER, 3/8 TYPE L	
21	2027142	BUSHING, PIPE, 3/8 X 1/8	
22	1197177	TUBING, PLASTIC, 1/2 O.D. GRAY	
NI	1345040	BRACKET, MOUNTING, CRUISE CONTROL COMPONENTS	
NI	1237734	SPACER, POWER STEERING PUMP	4
NI	1197185	INSERT, PLASTIC TUBING 1/2"	
NI	1529502	COVER, AIR THROTTLE CONTROLS	

# ACCELERATOR CABLE INSTALLATION

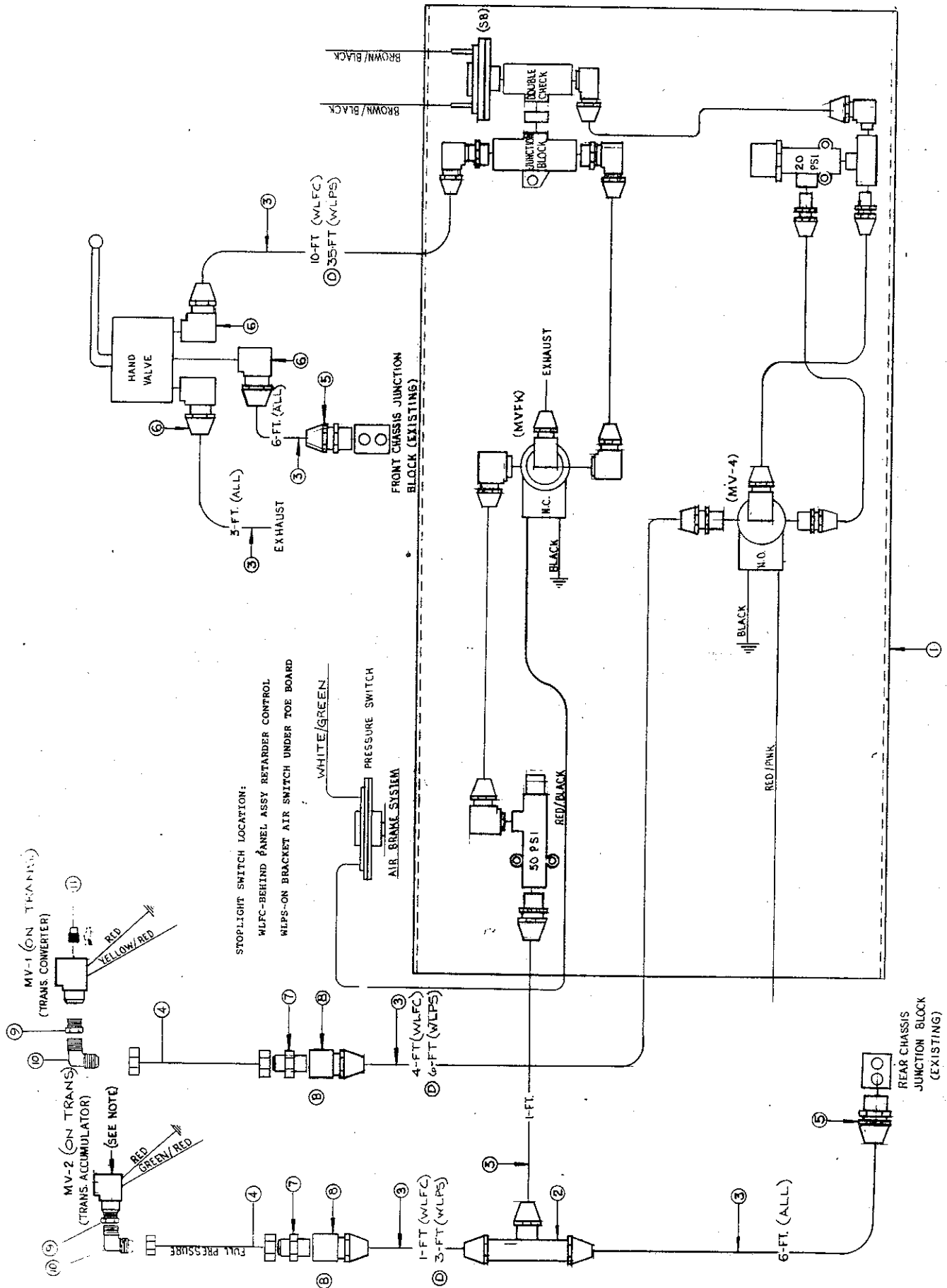


# ACCELERATOR CABLE INSTALLATION

KEY NO.	PART NO.	DESCRIPTION	QTY REQ'D
1	1332618	BRACKET ASSY., MOUNTING, ACCELERATOR CABLE	
2	0870477	BOLT, HEX, 1/4-20 X 1, GR. 8	3
3	2001170	WASHER, LOCK, 1/4 MEDIUM	7
4	2001329	NUT, HEX, 1/4 NC	3
5	0971747	BOLT, M6 X 1 X 12 CL 10.9	4
6	1287937	BRACKET, MOUNTING, ACCELERATOR CABLE	
7	2001253	NUT, HEX, 8-32, CAD.	2
8	2001162	WASHER, LOCK, 3/16	2
9	0620120	SHIM, CABLE CLAMP	
10	1091446	CLAMP, ACCELERATOR CABLE, CRUISE CONTROL	
11	2000743	SCREW, PHILLIP, 8/32 X 3/4	2
12	1438670	EXTENSION ASSY., THROTTLE LEVER	
13	1276815	BALL JOINT SOCKET	
14	1533223	ROD ASSY., ACCELERATOR, THROTTLE SENSOR	
15	0939231	SPRING, ACCELERATOR RETURN	
16	1248244	BRACKET, SPRING, ACCELERATOR CABLE	
17	1250513	SENSOR, THROTTLE POSITION	
18	1091461	CABLE, THROTTLE CRUISE CONTROL	
19	0763870	BALL JOINT W/NUT & LOCKWASHER	
20	1032242	BOLT, HEX, 1/4-20 X 3/4	
21	1276823	BUSHING, SPRING, ACCELERATOR RETURN	
22	2001402	NUT, HEX, 1/4-28	
23	0599704	TIE, CABLE, NYLON	
24	1518158	NUT, HEX HEAD LOCKING, 1/4-28	
25	0518803	SPRING, RETURN, ACCELERATOR	
26	1543040	BRACKET, SPRING RETAINING, THROTTLE	

QUANTITY      REQUIRED      IS      ONE      UNLESS      OTHERWISE      SPECIFIED.

# RETARDER CONTROL





RETARDER CONTROL

KEY NO.	PART NO.	DESCRIPTION	QTY REQ'D
1	1252253	PANEL ASSY., RETARDER CONTROL Z-F TRANSMISSION	
2	2008381	TEE, 1/4"	
3	2205102	TUBING, COPPER 1/4" O.D.	59'
4	1105246	HOSE ASSY., GOVERNOR PILOT	2
5	2023224	CONNECTOR, 1/4 MPT X 1/4 TUBE	2
6	2023935	ELBOW, 1/4 MPT X 1/4 TUBE	3
7	2008084	CONNECTOR, MALE, 1/4 TUBE X 1/8 PIPE	2
8	0949099	CONNECTOR, 1/8 FPT X 1/4 TUBE	2
9	2008050	BUSHING PIPE, 1/4	2
10	2008241	ELBOW, MALE 1/4 TUBE X 1/8 PIPE	2
11	2023513	PLUG, PIPE 1/4	2
NI	1250620	VALVE CONTROL, ZF TRANS. RETARDER	2

QUANTITY REQUIRED IS ONE UNLESS OTHERWISE SPECIFIED.

REVISED 11-27-90

2192P

91

# HOLDING TANKS

KEY NO.	PART NO.	DESCRIPTION	QTY REQ'D
NI	3894268	TANK ASSY., HOLDING, GRAY	
NI	3894276	TANK ASSY., HOLDING, SOLID	
NI	3900958	BRACKET, MTG, HOLDING TANK, RH	
NI	3900966	BRACKET, MTG, HOLDING TANK, LH	
NI	3900495	BRACKET, MTG, HOLDING TANK, RH, FRONT	
NI	3900438	BRACKET, MTG, HOLDING TANK, LH, INNER	
NI	3900479	ANGLE, MTG, HOLDING TANK, FRONT	

QUANTITY REQUIRED IS ONE UNLESS OTHERWISE SPECIFIED.