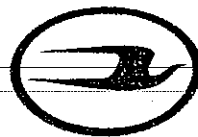
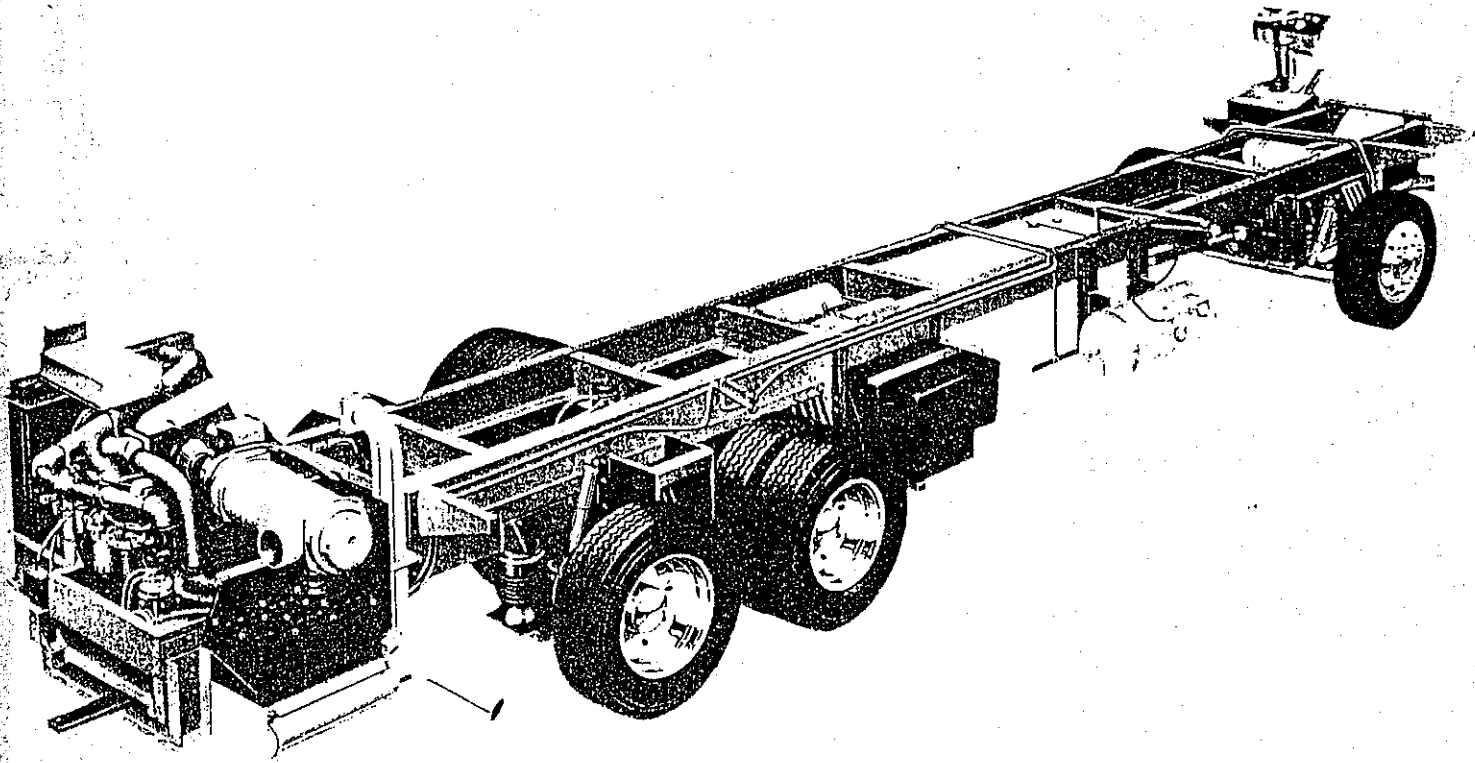


1986 Wanderlodge Pusher Chassis Parts Catalog



Fort Valley, Georgia
Brantford, Ontario Buena Vista, Virginia
Mt. Pleasant, Iowa

Chassis No. _____ Body No. _____

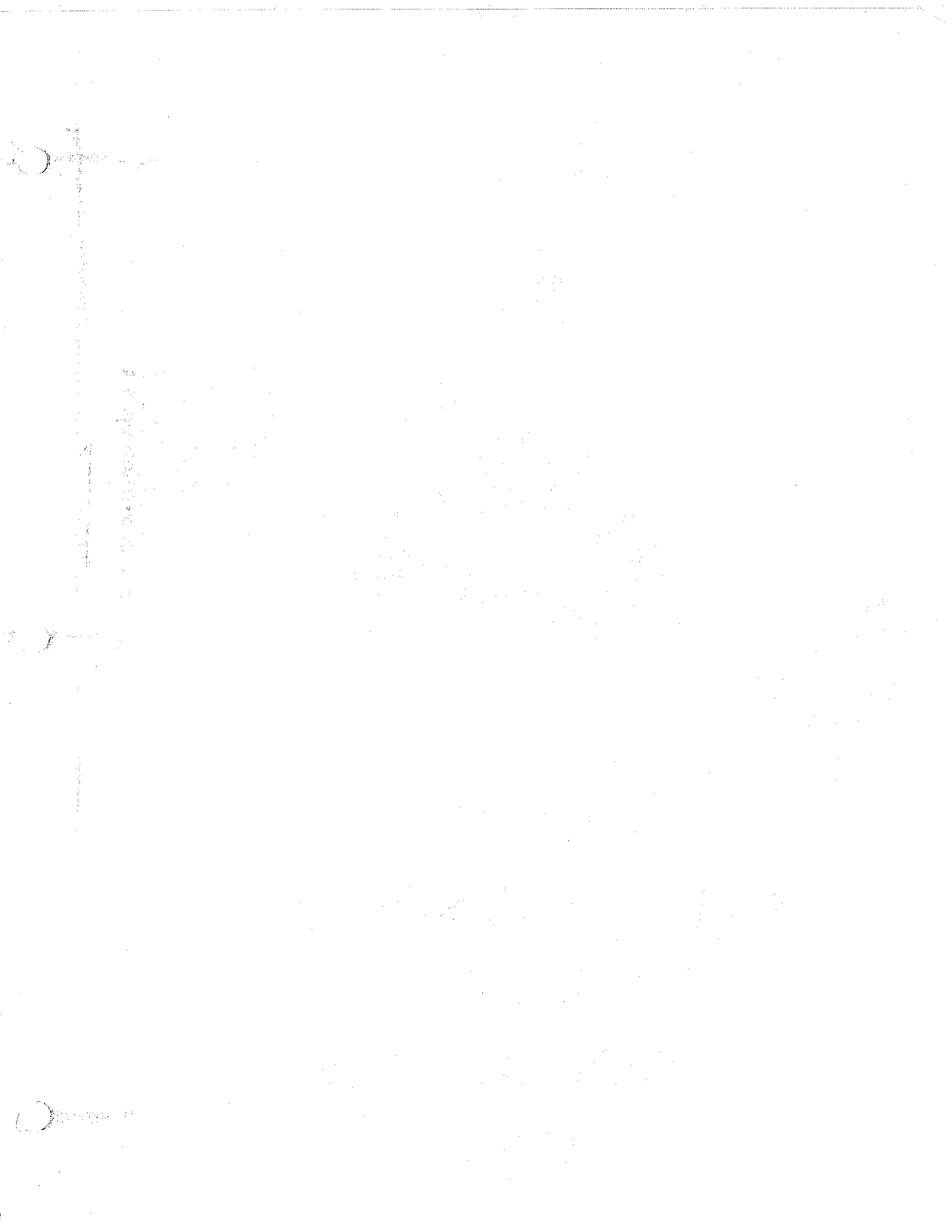


TABLE OF CONTENTS

| DESCRIPTION | PAGE |
|--|------|
| FRONT AXLE | 2 |
| REAR AXLES | 6 |
| TAG AXLE | 10 |
| FRONT BRAKES | 12 |
| REAR BRAKES, DRIVE AXLE | 16 |
| WHEEL END COMPONENTS | |
| FRONT | 18 |
| REAR | 20 |
| BRAKE TREADLE VALVE | 22 |
| REAR BRAKE CHAMBER, DRIVE AXLE | |
| ANCHORLOK 3030 (35' COACH), 3036 (38' & 40' COACH) | 24 |
| AIR BRAKE SYSTEM | |
| MODEL 3502 (35') | 26 |
| MODEL 3706 (38') & MODEL 3903 (40') | 30 |
| EXHAUST SYSTEM | 34 |
| COOLING SYSTEM, ENGINE AND TRANSMISSION | |
| GM 6V92TA | 36 |
| GM 8V92TA | 40 |
| DRIVELINE | 44 |
| ENGINE TRIM | |
| GM 6V92TA | 46 |
| GM 8V92TA | 48 |
| BATTERIES AND BATTERY CABLES | 50 |
| INSTRUMENTS | |
| LEFT HAND, OVERHEAD | 52 |
| RIGHT HAND, OVERHEAD | 54 |
| LOWER | 56 |
| UPPER | 58 |
| CRUISE CONTROL, FINAL ASSEMBLY | 60 |
| STEERING LINKAGE | 62 |
| HFB 64, STEERING GEAR ASSY. | 66 |
| HFB 64, POWER STEERING COLUMN | 70 |
| SUSPENSION | |
| FRONT AXLE | 72 |
| DRIVE AXLE | 74 |
| TAG AXLE | 76 |
| HYDRAULIC SYSTEM | 78 |
| CONTROL MODULE TRANSMISSION RETARDER | 82 |
| REMOTE CONTROL GM 6V92TA | 84 |
| TRANSMISSION, ELECTRONIC INSTALLATION, GM 8V92TA | 86 |
| AIR THROTTLE CONTROL | |
| VALVE | 88 |
| VALVE & TANK ASSEMBLIES | 90 |
| GM 8V92TA, ENGINE PARTS | 92 |
| GM 6V92TA, ENGINE PARTS | 94 |
| FUEL LINES | 96 |
| HOLDING TANK | |
| BODY MODEL 3502 | 98 |
| BODY MODEL 3706, 3903 | 99 |

| | | |
|---------------------------|------|----------------|
| BLUE BIRD | | |
| BODY CO. | | |
| BODY NO. F71824 | CAP. | MODEL YR. 1986 |
| FORT VALLEY, GEORGIA, USA | | |
| BODY SERVICE NO. 158252 | | |

| | | | |
|---|------------------------|--|-----------|
| FURNISH INFORMATION BELOW WHEN ORDERING AXLE PARTS | | | |
| CHASSIS SERIAL | 24457 | ENGINE SERIAL | V8F108002 |
| FRONT AXLE | FF942NX4 | BRAKE LINING FMSI NO. & FRICTION CODE | 4524 B/FF |
| BRAKE DRUM | 1117365 | | |
| REAR AXLE | R125NX8 | BRAKE LINING FMSI NO. & FRICTION CODE | 4515 G/FF |
| BRAKE DRUM | 1117340 | | |
| REAR AXLE RATIO | 3.42 | | |
| TAG AXLE | TRD4670Q503 | BRAKE LINING FMSI NO. & FRICTION CODE | 4515 G/FF |
| BRAKE DRUM | 267072/ BP 3219-T-4544 | | |
| CHASSIS SERVICE NO. | 961855 | | |

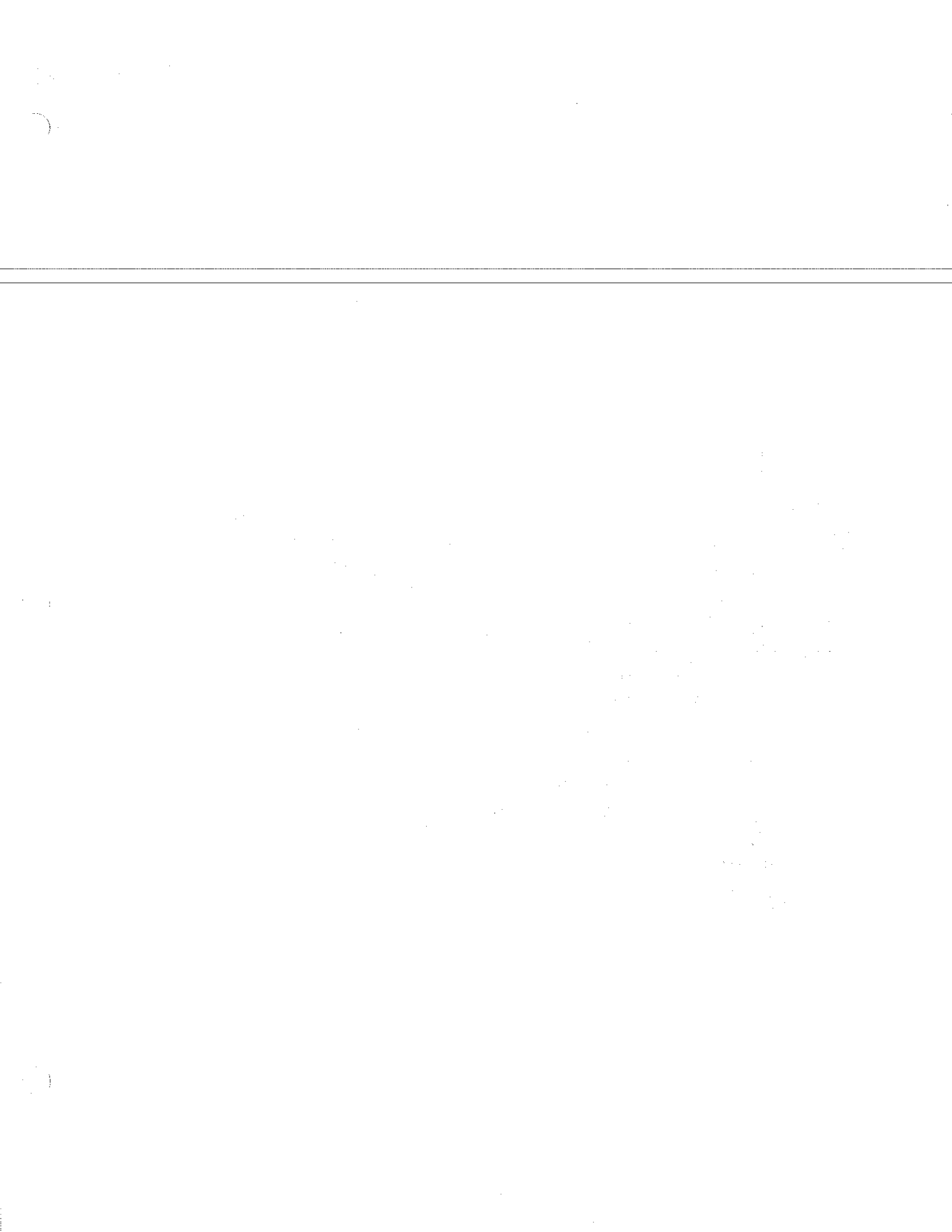
© 1986 BLUE BIRD BODY COMPANY
ALL RIGHTS RESERVED



ABBREVIATIONS

| | |
|--------|------------------------------|
| AA | ALL AMERICAN |
| AAFCC | ALL AMERICAN FORWARD CONTROL |
| AARE | ALL AMERICAN REAR ENGINE |
| AC | AIR CONDITIONING |
| ADJ. | ADJUSTING |
| AR | AS REQUIRED |
| ASSY. | ASSEMBLY |
| BRKT. | BRACKET |
| CSN | CHASSIS SERVICE NUMBER |
| CU. | CUBIC |
| CYL. | CYLINDER |
| DEG. | DEGREE |
| DIA. | DIAMETER |
| DIFF. | DIFFERENTIAL |
| ENG. | ENGINE |
| EXH. | EXHAUST |
| FPT | FEMALE PIPE THREAD |
| FRT. | FRONT |
| FWD | FORWARD |
| GD. | GRADE |
| I.D. | INSIDE DIAMETER |
| INCL. | INCLUDED |
| JK | JACKKNIFE |
| LH | LEFT HAND |
| MPT | MALE PIPE THREAD |
| NI | NOT ILLUSTRATED |
| O.D. | OUTSIDE DIAMETER |
| OZ | OUNCE |
| PLTD. | PLATED |
| RD. | ROUND |
| RH | RIGHT HAND |
| SM | SMALL |
| STD. | STANDARD |
| SUSP. | SUSPENSION |
| TRANS. | TRANSMISSION |
| WLPP | WANDERLODGE PUSHER |

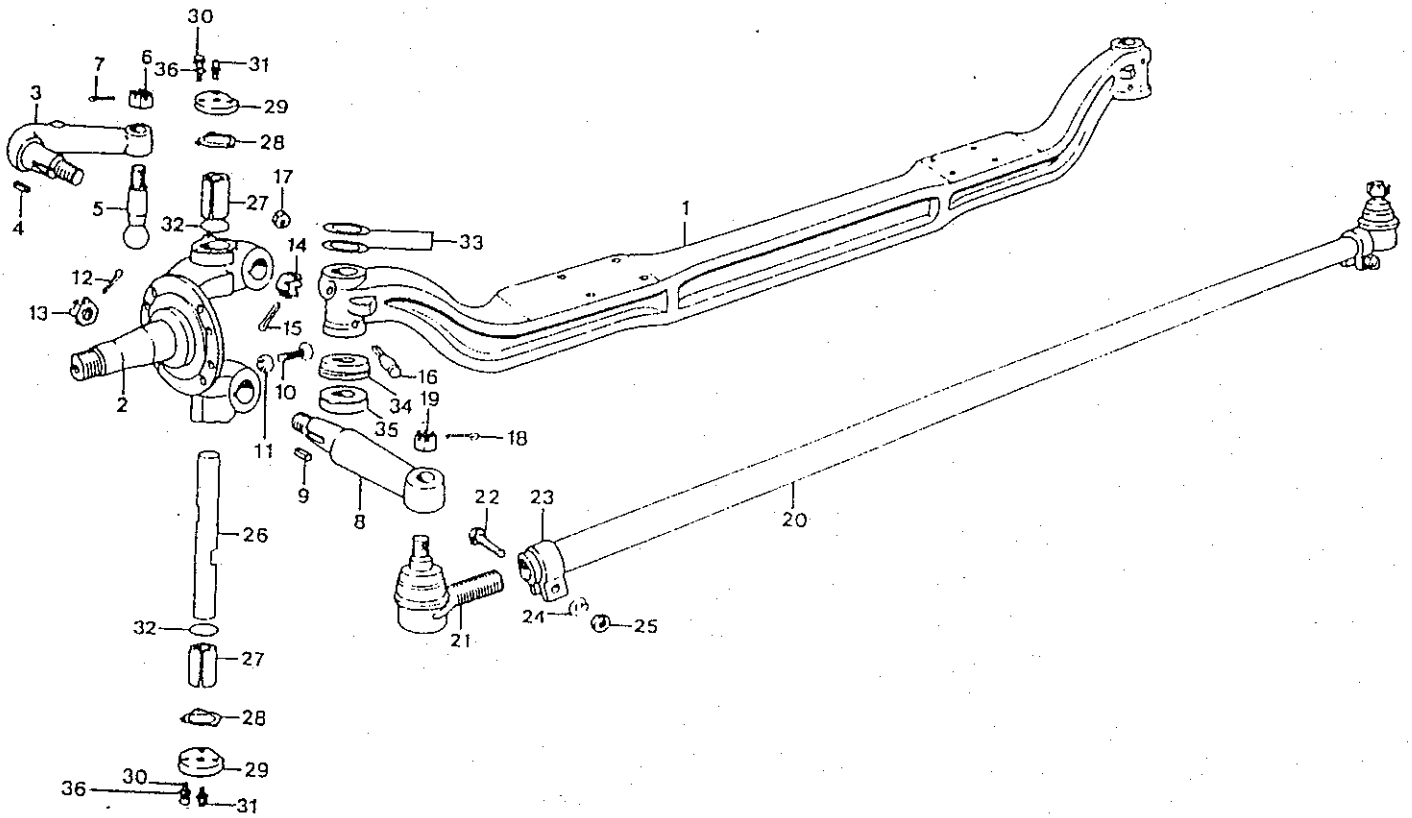




FRONT AXLE
ROCKWELL FF-942-NX-4

| | |
|--------------------|---------|
| DR. 5/10/84 BY JET | 8002883 |
| APP. | BY |

© 1984 BLUE BIRD BODY COMPANY
ALL RIGHTS RESERVED



FRONT AXLE
ROCKWELL FF-942-NX-4

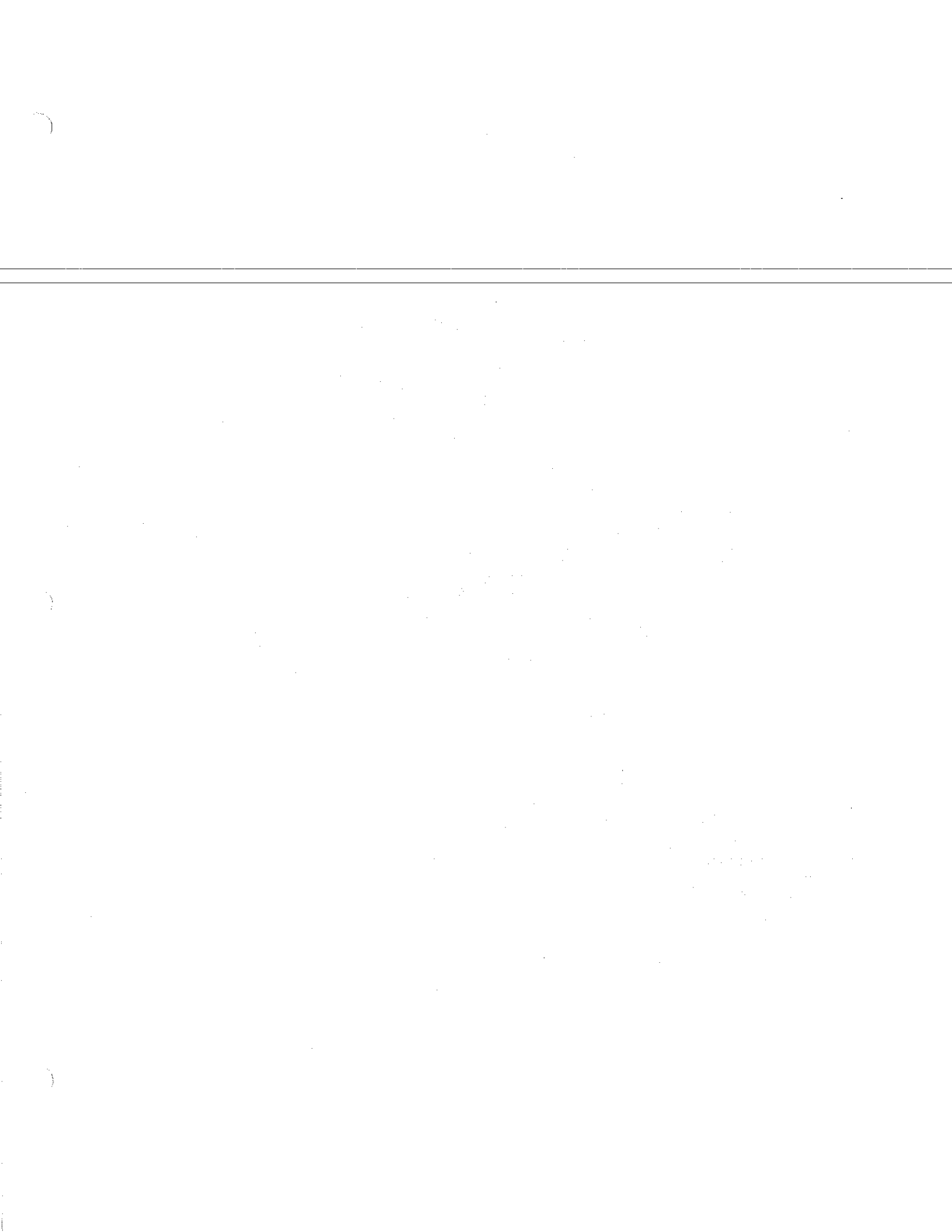
| KEY NO. | PART NO. | DESCRIPTION | VENDOR PART NO. | QTY REQ'D |
|---------|----------|-----------------------------|-----------------|-----------|
| 1 | 2599264 | AXLE CENTER | 3100-G-6091 | |
| 2 | 2137040 | STEERING KNUCKLE ASSY. LH | A19-3111-Y-2599 | |
| NI | 2137057 | STEERING KNUCKLE ASSY. RH | A16-3111-R-2358 | |
| 3 | 2159523 | STEERING ARM | 3133-Z-5720 | |
| 4 | 2135218 | KEY, STEERING ARM | 16-X-202 | |
| 5 | 2601631 | BALL, STEERING ARM, 1 3/4" | 2110-Y-103 | |
| 6 | 2643294 | NUT, STEERING ARM BALL | N-214-1 | |
| 7 | 2594398 | PIN, COTTER | K-2412 | |
| 8 | | ARM, CROSSTUBE | | |
| | 2600260 | LH (SHOWN) | 3133-K-999 | |
| | 2600161 | RH | 3133-J-998 | |
| 9 | 2135218 | KEY, CROSSTUBE ARM | 16-X-202 | 2 |
| 10 | 2646545 | SCREW, STOP | 26-X-219 | 2 |
| 11 | 2596195 | LOCKNUT | N-48-1 | 2 |
| 12 | 2594596 | PIN, COTTER | K-2616 | 2 |
| 13 | 2600724 | NUT, CROSSTUBE ARM | 14-X-27 | 2 |
| 14 | 2135200 | NUT, STEERING ARM | 13-X-159 | |
| 15 | 2135267 | PIN, COTTER, STEERING ARM | K-2618 | |
| 16 | | KEY, DRAW | | |
| | 2622470 | SHORT (UPPER) | 7-X-112 | 2 |
| | 2622371 | LONG (LOWER) | 7-X-111 | 2 |
| 17 | 2646552 | NUT, DRAW KEY | 1227-Z-780 | 4 |
| 18 | 2594398 | PIN, COTTER | K-2412 | 2 |
| 19 | 2643294 | NUT, TIE ROD END | N-214-1 | 2 |
| 20 | 2596153 | CROSSTUBE & CLAMP ASSY. | A-3102-N-3472 | |
| 21 | | END ASSY., CROSSTUBE | | |
| | 2597151 | LH (SHOWN) | A-3144-N-456 | |
| | 2597250 | RH | A-3144-P-458 | |
| 22 | 2597698 | BOLT, CROSSTUBE CLAMP | S-11022-C | 2 |
| 23 | 2600351 | CLAMP, CROSSTUBE | 2257-Q-17 | 2 |
| 24 | 2595601 | LOCKWASHER, CROSSTUBE CLAMP | WA-110 | 2 |
| 25 | 2596393 | NUT, CROSSTUBE CLAMP | N-710-C | 2 |
| 26 | 2599769 | PIN, KNUCKLE | 3101-W-179 | 2 |
| 27 | 2137016 | BUSHING, KNUCKLE PIN | 1225-W-985 | 2 |
| 28 | 2602142 | GASKET | 2208-Q-823 | 4 |
| 29 | 2600757 | CAP, STEERING KNUCKLE | 2297-C-2681 | 4 |
| 30 | 2703262 | CAPSCREW | S-259-1 | 12 |
| 31 | 2703270 | FITTING, GREASE | 1199-N-1860 | 4 |
| 32 | 2594950 | SEAL ASSY., OIL | A-1205-X-1428 | 4 |

QUANTITY REQUIRED IS ONE UNLESS OTHERWISE SPECIFIED.

FRONT AXLE
ROCKWELL FF-942-NX-4

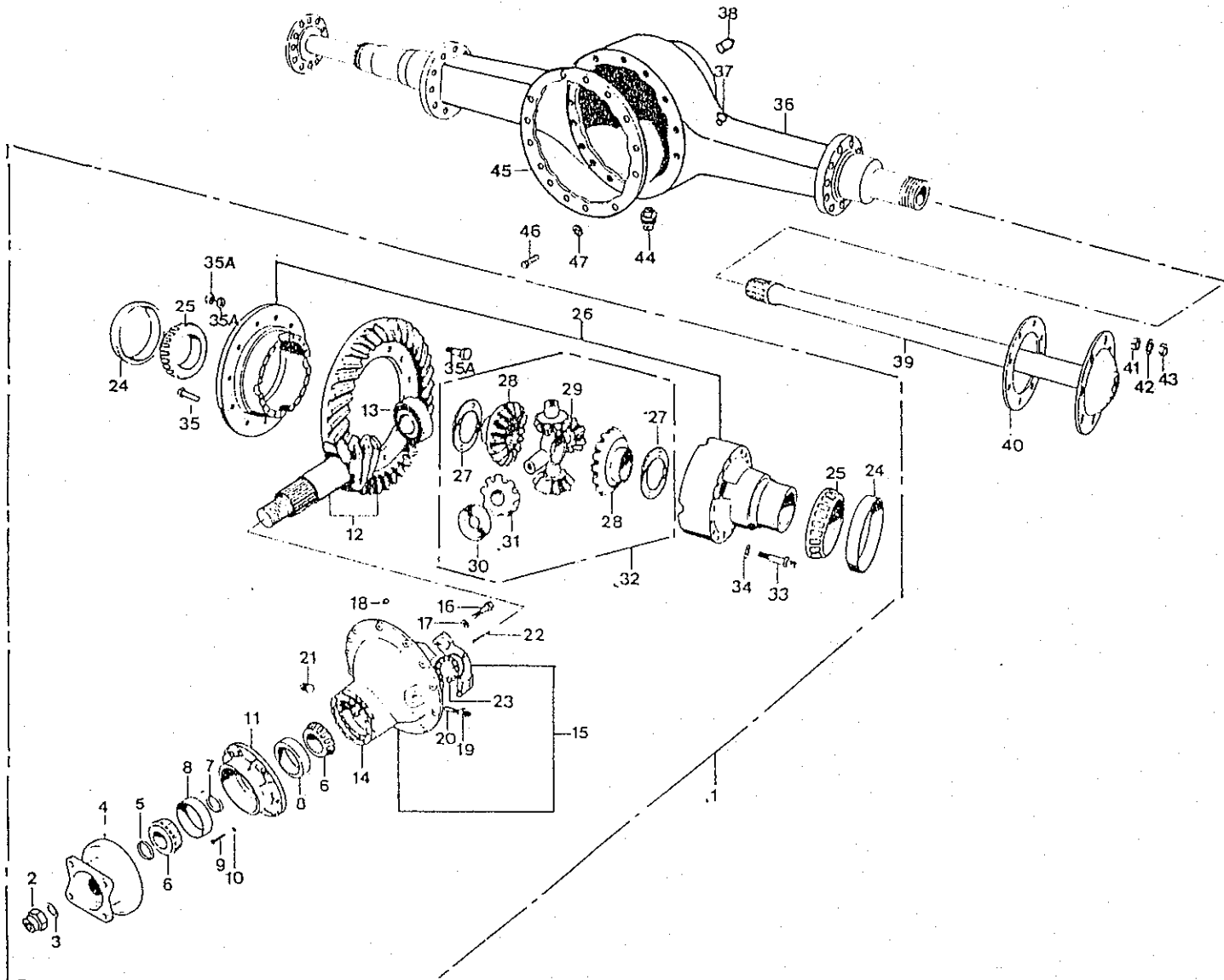
| KEY NO. | PART NO. | DESCRIPTION | VENDOR PART NO. | QTY REQ'D |
|---------|----------|--|-----------------|-----------|
| 33 | | SHIM, STEERING KNUCKLE SPACING | | |
| | 2603538 | .005" | 2203-L-3002 | AR |
| | 2603231 | .010" | 2203-K-3001 | AR |
| 34 | 2703288 | SEAL & GASKET ASSY., LOWER | A-1205-B-1432 | 2 |
| 35 | 2595502 | THRUST BEARING & GASKET ASSY. | T-182 | 2 |
| 36 | 2600419 | WASHER | 1229-E-1669 | 12 |
| NI | 2137305 | REPAIR KIT, KNUCKLE PIN (INCLUDES ITEMS 16,26,27 28,29,30,32,33,34,35) | KIT 1307 | |

QUANTITY REQUIRED IS ONE UNLESS OTHERWISE SPECIFIED.



ROCKWELL STANDARD REAR AXLES
R-125-NX-3 (GM 6V92TA), R-125-NX-8 (GM 8V92TA)

© 1983 BLUE BIRD BODY COMPANY
ALL RIGHTS RESERVED



ROCKWELL STANDARD REAR AXLES
R-125-NX-3 (GM 6V92TA), R-125-NX-8 (GM 8V92TA)

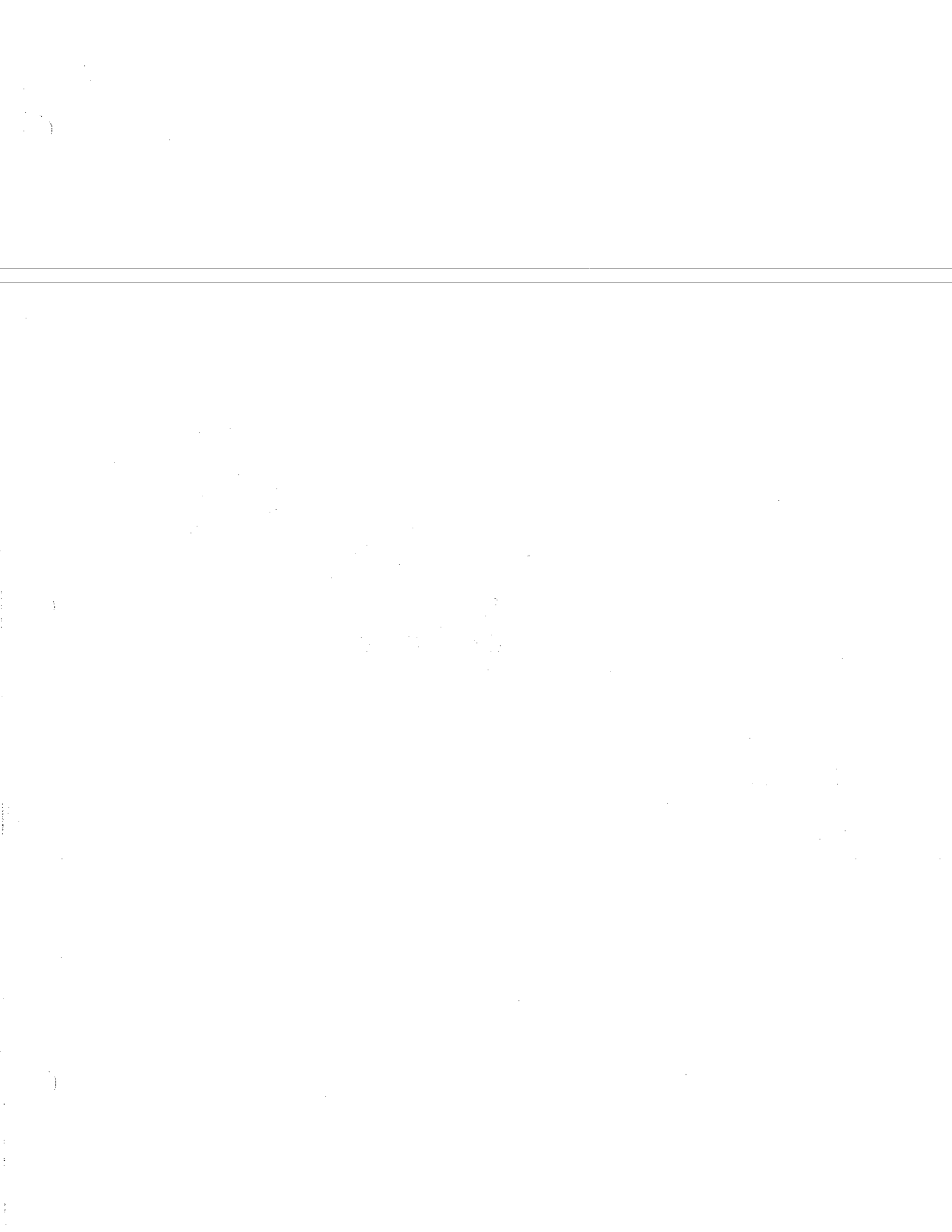
| KEY NO. | PART NO. | DESCRIPTION | VENDOR PART NO. | QTY REQ'D |
|---------|----------|---|-----------------|-----------|
| NI* | 2137156 | KIT, DIFF. CARRIER OVERHAUL | QR100-1314 | |
| 1 | | CARRIER ASSY, DIFFERENTIAL, COMPLETE | | |
| | 2139798 | R-125-NX-3, 3.42:1 | B48-3200-N-1314 | |
| | 2135812 | R-125-NX-3, 3.55:1 | B48-3200-N-1314 | |
| | 2158129 | R-125-NX-8, 3.42:1 | B59-3200-N-1314 | |
| 2 | 2135903 | NUT, YOKE INPUT | 1227-R-902 | |
| 3 | 2117778 | WASHER, YOKE INPUT | 1229-T-1736 | |
| 4 | | YOKE, DRIVE | | |
| | 2139848 | R-125-NX-3 | 3260-Q-121 | |
| | 2139855 | R-125-NX-8 | 3260-L-116 | |
| 5 | 2136851 | SEAL ASSY., PINION OIL | A-1205-Y-1897 | |
| 6 | 2135051 | BEARING, PINION, FWD. & REAR | 72212-C | 2 |
| 7 | 2135895 | SPACER KIT, PINION BEARING | KIT 545 | |
| 8 | 2624427 | CUP, PINION BEARING | 72487 | 2 |
| 9 | 2594208 | CAPSCREW, FWD. BEARING CAGE | S-2812-1 | 8 |
| 10 | 2600211 | WASHER, FWD. BEARING CAGE | 1229-C-1511 | 8 |
| 11 | 2135044 | CAGE ASSY, PINION (INCLUDES ITEM #8) | A-3226-Z-806 | |
| 12 | | GEAR & PINION, MATCHED SET | | |
| | 2139384 | 3.42:1 | A-39424-1 | |
| | 2135788 | 3.55:1 | A-37326-1 | |
| 13 | 2599611 | BEARING, PINION, REAR | 1228-F-552 | |
| 14 | | SHIM, PINION CAGE | | |
| | 2135077 | .003 THICK | 2203-C-8115 | |
| | 2135085 | .005 THICK | 2203-D-8116 | |
| | 2135093 | .010 THICK | 2203-E-8117 | |
| 15 | 2135028 | CARRIER & CAPS ASSY. | A2-3200-N-1314 | |
| 16 | 2135036 | CAPSCREW, DIFF. BEARING CAP | S-21238-1 | 4 |
| 17 | 2603017 | WASHER, DIFF. BEARING CAP | 1229-V-1556 | 4 |
| 18 | 2599728 | DOWEL, DIFF. BEARING CAP | 1246-D-342 | 4 |
| 19 | 2121861 | NUT, THRUST SCREW LOCK | 13X-41 | |
| 20 | 2121853 | SCREW, THRUST, DRIVE GEAR | 15X-1025 | |
| 21 | 2596898 | PLUG, OIL FILL & INSPECTION | P-212 | |
| 22 | 2596807 | COTTER PIN, ADJUSTING RING | 1199-R-2176 | 2 |
| | | * NOTE: THIS KIT CONTAINS ALL PARTS NECESSARY TO PERFORM BASIC DIFFERENTIAL CARRIER OVERHAUL. | | |

QUANTITY REQUIRED IS ONE UNLESS OTHERWISE SPECIFIED.

ROCKWELL STANDARD REAR AXLES
R-125-NX-3 (GM 6V92TA), R-125-NX-8 (GM 8V92TA)

| KEY NO. | PART NO. | DESCRIPTION | VENDOR PART NO. | QTY REQ'D |
|---------|----------|--|-----------------|-----------|
| 23 | 2135168 | ADJUSTING RING, DIFF. BEARING | 2214-Z-208 | 2 |
| 24 | 2135143 | CUP, DIFFERENTIAL BEARING | JM-716610 | 2 |
| 25 | 2135150 | CONE, DIFFERENTIAL BEARING | JM-716649 | 2 |
| 26 | 2135853 | CASE ASSY., DIFFERENTIAL | A19-3235-C-1173 | |
| 27 | 2602514 | WASHER, THRUST DIFF. SIDE GEAR | 1229-T-1034 | 2 |
| 28 | 2135127 | GEAR, DIFF. SIDE | 2234-C-783 | 2 |
| 29 | 2135135 | SPIDER, DIFF. | 3278-S-305 | |
| 30 | 2602019 | WASHER, DIFFERENTIAL PINION | 1229-R-1032 | 4 |
| 31 | 2599256 | GEAR, DIFFERENTIAL PINION | 2233-U-151 | 4 |
| 32 | 2137412 | KIT, DIFFERENTIAL | KIT 326 | |
| 33 | 2135119 | CAPSCREW, DIFFERENTIAL CASE | S-2826A-1 | 16 |
| 34 | 2600211 | WASHER, DIFFERENTIAL CASE | 1229-C-1511 | 16 |
| 35 | 2597292 | RIVET, DIFF. CASE TO GEAR (OPT) | RV-71013 | 12 |
| 35A | 2120814 | BOLT KIT, CASE TO GEAR | KIT 570 | |
| 36 | 2135796 | HOUSING ASSY., AXLE | C1-3121-R-798 | |
| 37 | 2593150 | BREATHER ASSY., AXLE HOUSING | A-1199-P-1394 | |
| 38 | 2134997 | PLUG ASSY., HEAT INDICATOR | P-28 | |
| 39 | 2135002 | SHAFT, AXLE, LH & RH | 3202-P-8362 | |
| 40 | 0929083 | GASKET, AXLE SHAFT | 2208-X-440 | |
| 41 | 0929091 | DOWEL, AXLE SHAFT STUD | 13885 | 16 |
| 42 | 2603512 | LOCKWASHER, AXLE SHAFT STUD | 1229-X-518 | 16 |
| 43 | 2594893 | NUT, AXLE SHAFT STUD | N-110-1 | 16 |
| 44 | 2121887 | PLUG, AXLE HOUSING DRAIN (MAGNETIC) | 1250-E-473 | |
| 45 | 2127017 | GASKET, SILASTIC (3 OZ. TUBE) | EATON 107276 | |
| 46 | 2704666 | BOLT, CARRIER TO HOUSING | S-21014-1 | 14 |
| 47 | 2602712 | WASHER, CARRIER TO HOUSING | 1229-U-1503 | 14 |

QUANTITY REQUIRED IS ONE UNLESS OTHERWISE SPECIFIED.



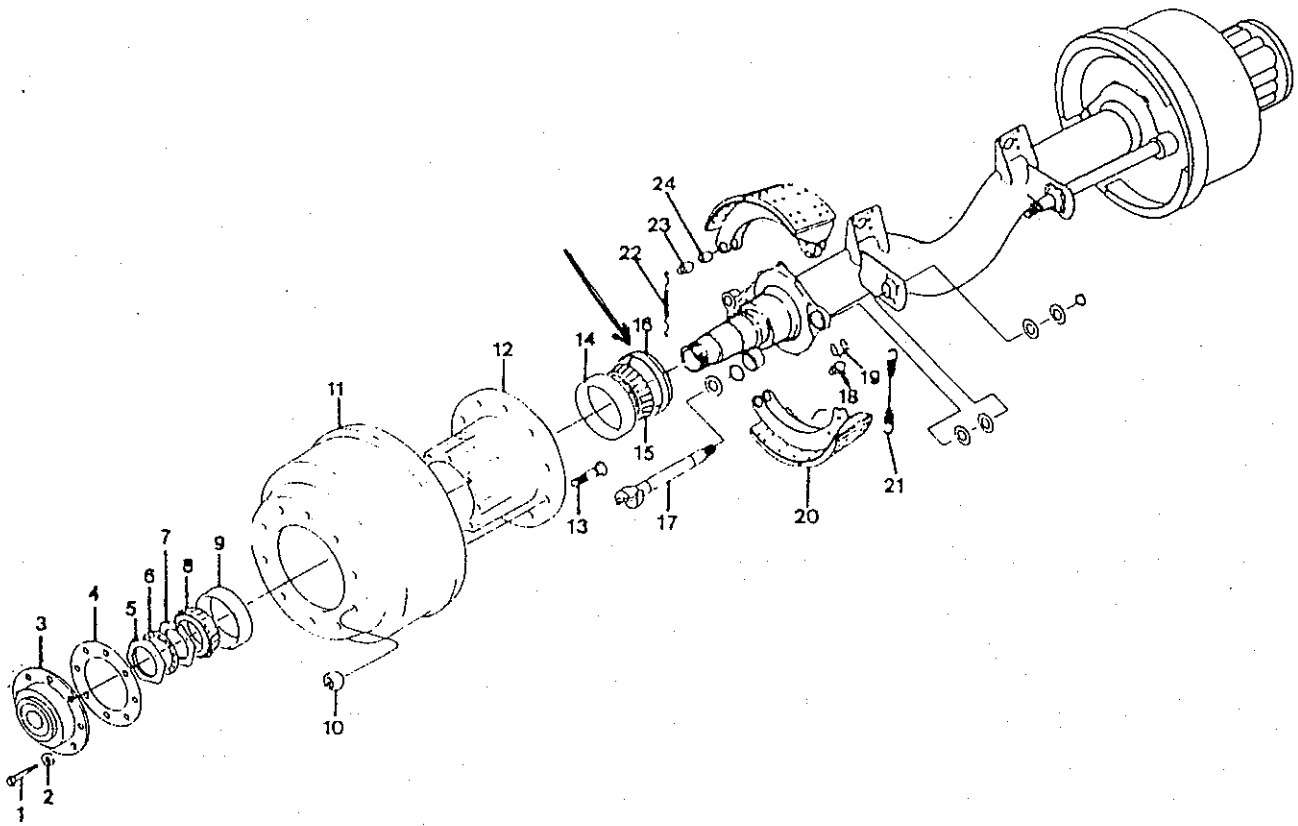
'86

TAG AXLE

| | |
|--------------------|---------|
| DR. 7-16-85 BY KRS | 8004350 |
| APP. BY | |

FRONT

© 1985 BLUE BIRD BODY COMPANY
ALL RIGHTS RESERVED

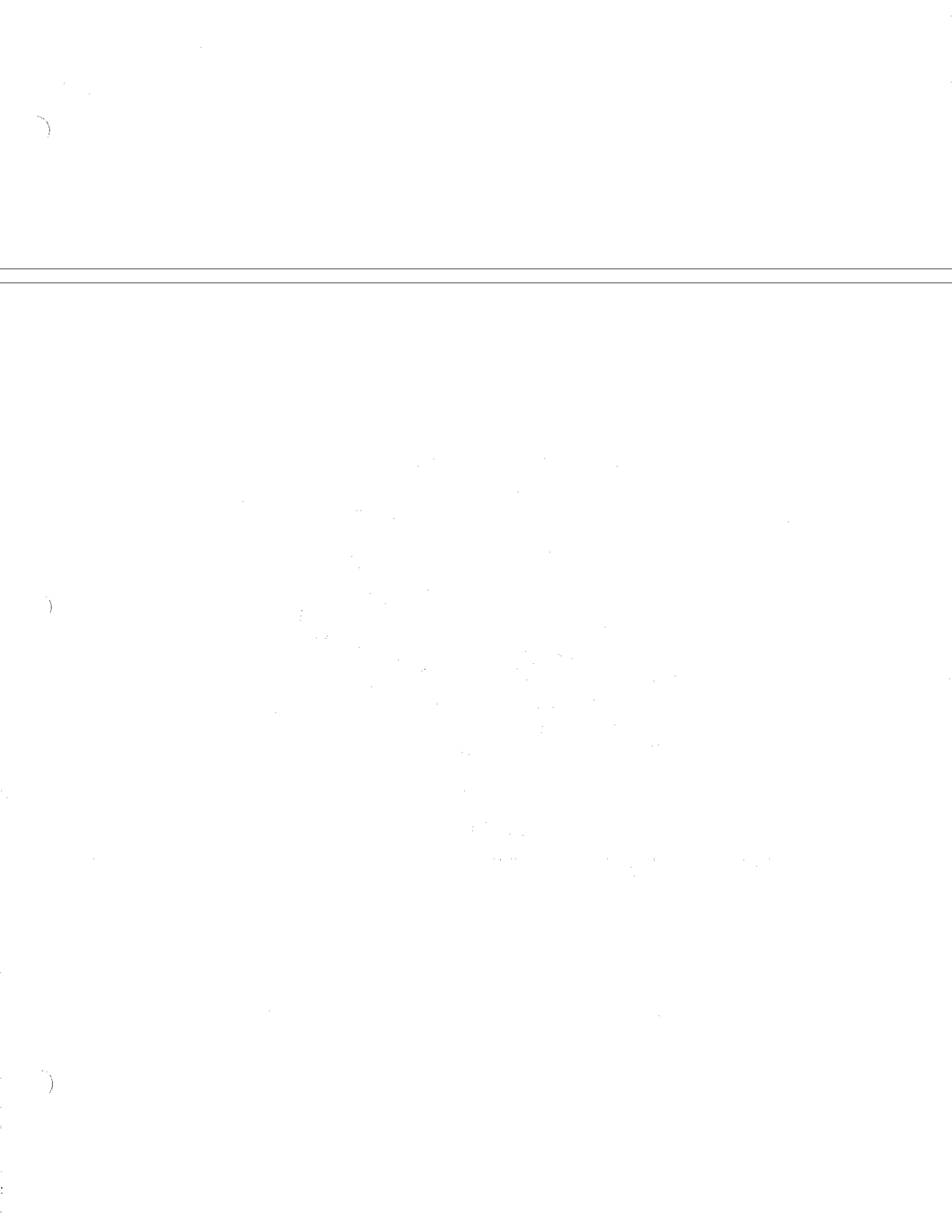


'86

TAG AXLE

| KEY NO. | PART NO. | DESCRIPTION | VENDOR PART NO. | QTY REQ'D |
|---------|----------|--------------------------------|-----------------|-----------|
| 1 | 2158145 | CAPSCREW, HUB CAP | S-21014-1 | 16 |
| 2 | 2001220 | WASHER, LOCK | WA-110 | 16 |
| 3 | 1236587 | HUBCAP ASSY. | A-3262-D-368 | 2 |
| 4 | 0929083 | GASKET, HUBCAP | 2208-X-440 | 2 |
| 5 | 2598613 | NUT, WHEEL BEARING, OUTER | 1227-R-330 | 2 |
| 6 | 2158871 | LOCK, AXLE NUT | A-1229-Y-3145 | 2 |
| 7 | 2599215 | NUT, WHEEL BEARING, INNER | 1227-W-517 | 2 |
| 8 | 0929059 | WHEEL BEARING, OUTER | 580 | 2 |
| 9 | 2621571 | CUP, OUTER WHEEL BEARING | 572 | 2 |
| 10 | | LUG NUT | | |
| | 1034784 | LH | | 10 |
| | 1034776 | RH | | 10 |
| 11 | 1117340 | BRAKE DRUM | 69883D | 2 |
| 12 | 1236579 | HUB ASSY. | 16227--H | 2 |
| 13 | | STUD, LUG | | |
| | 0814251 | LH | | 10 |
| | 0814269 | RH | | 10 |
| 14 | 2621779 | CUP, INNER WHEEL BEARING | 592-A | 2 |
| 15 | 0929042 | WHEEL BEARING, INNER | 594-A | 2 |
| * 16 | 2122687 | OIL SEAL ASSY.* | A-1205-U-1061 | 2 |
| 17 | | CAMSHAFT, BRAKE | | |
| | 2158889 | LH | 2210-M-4329 | |
| | 2158897 | RH | 2210-L-4328 | |
| 18 | 2598134 | ROLLER, BRAKE SHOE | 1779-R-18 | |
| 19 | 2121655 | RETAINER, SHOE ROLLER | 3105-B-210 | |
| 20 | 2121705 | BRAKE SHOE & LINING ASSY. | | 4 |
| NI | 2120905 | BRAKE SHOE ONLY | A-3222-S-1293 | 4 |
| NI | 2118008 | KIT, BRAKE LINING (1 PER AXLE) | D39A-4515-E | |
| NI | 2135978 | RIVET, BRAKE LINING | 10-9 | 128 |
| 21 | 2638716 | SPRING, BRAKE SHOE RETURN | 2258-U-619 | 2 |
| 22 | 2120863 | SPRING, SHOE RETAINING | 2258-Q-615 | 2 |
| 23 | 2120871 | PIN, BRAKE SHOE ANCHOR | 1259-N-274 | 2 |
| 24 | 2120889 | BUSHING, ANCHOR PIN | 1225-B-496 | 2 |
| NI | | BRAKE CHAMBER | | |
| | 1082346 | TYPE 16 (35' COACH) | | |
| | 1143882 | TYPE 20 (38' & 40' COACH) | | |
| NI | | SLACK ADJUSTER ASSY. | | |
| | 1144963 | LH (35' COACH) | | |
| | 1144955 | RH (35' COACH) | | |
| | 1144989 | LH (38' & 40' COACH) | | |
| | 1144971 | RH (38' & 40' COACH) | | |

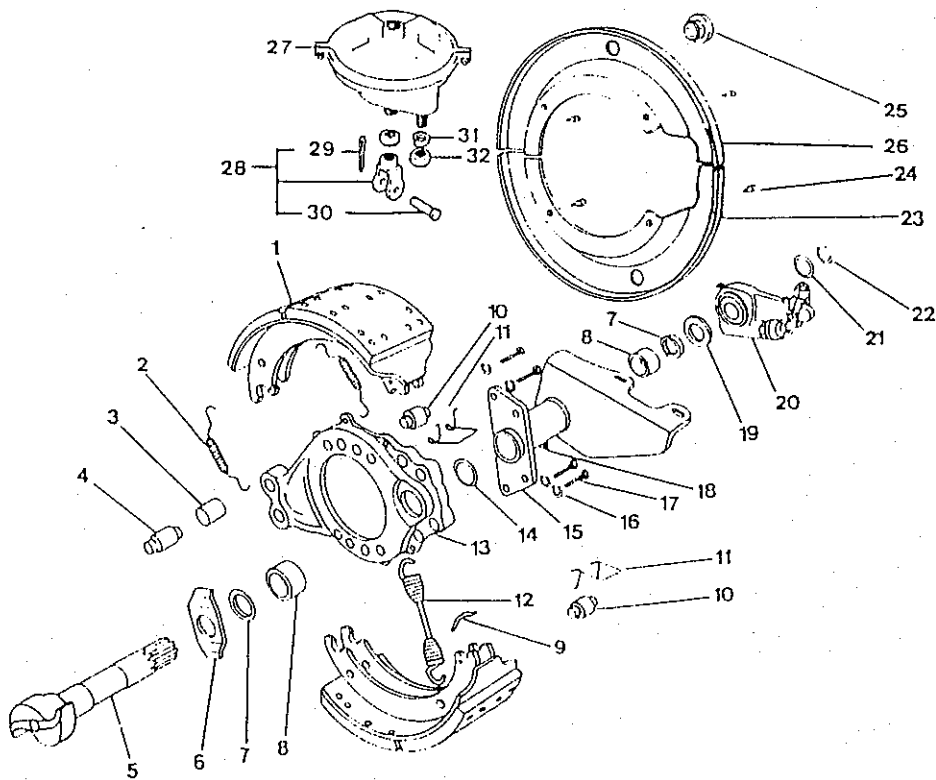
QUANTITY REQUIRED IS ONE UNLESS OTHERWISE SPECIFIED.



| | | |
|-----|----|---------|
| DR | BY | 2158541 |
| APP | BY | |

FRONT BRAKES

© 1905 BLUE BIRD BODY COMPANY
ALL RIGHTS RESERVED



FRONT BRAKES

| KEY NO. | PART NO. | DESCRIPTION | VENDOR PART NO. | QTY REQ'D |
|---------|----------|----------------------------------|-----------------|-----------|
| 1 | 2121598 | BRAKE SHOE & LINING ASSY., 5" | A17-3222-E-1383 | 4 |
| NI | 2120897 | BRAKE SHOE ONLY, 5" | A-3222-E-1383 | 4 |
| NI | 2117968 | KIT, BRAKE LINING (1 PER AXLE) | D39A-4524-A | |
| NI | 2135978 | RIVET, BRAKE LINING | 10-9 | 64 |
| 2 | 2120863 | SPRING, BRAKE SHOE RETAINING | 2258-Q-615 | 4 |
| 3 | 2120889 | BUSHING, ANCHOR PIN | 1225-B-496 | 2 |
| 4 | 2120871 | ANCHOR PIN, BRAKE SHOE | 1259-N-274 | 2 |
| 5 | | CAMSHAFT, FRONT BRAKE | | |
| | 2121606 | LH | 2210-R-5374 | |
| | 2121614 | RH | 2210-Q-5373 | |
| 6 | 2121622 | WASHER, CAMHEAD, (FLAT) | 1229-N-2250 | 2 |
| 7 | 2121689 | SEAL, CAMSHAFT | A-1205-V-1556 | 4 |
| 8 | 2597706 | BUSHING, CAMSHAFT SPIDER & BRKT. | 1225-N-378 | 4 |
| 9 | 2597300 | PIN, BRAKE SHOE RETURN SPRING | 1218-G-85 | 4 |
| 10 | 2598134 | ROLLER, BRAKE SHOE | 1779-R-18 | 4 |
| 11 | 2121655 | RETAINER, SHOE ROLLER | 3105-B-210 | 4 |
| 12 | 2638716 | RETURN SPRING, BRAKE SHOE | 2258-U-619 | 2 |
| 13 | | SPIDER, BRAKE | | |
| | 2136935 | LH | A-3211-H-4428 | |
| | 2157923 | RH | A-3211-J-4430 | |
| 14 | 2644235 | GASKET, CHAMBER BRKT. | 1779-J-1024 | 2 |
| 15 | | BRACKET, CAMSHAFT & CHAMBER | | |
| | 2136927 | LH | B21-3299-K-2013 | |
| | 2157931 | RH | B21-3299-L-2014 | |
| 16 | 2595809 | WASHER, BRKT. CAPSCREW | WA-18 | 8 |
| 17 | 2594109 | CAPSCREW, CHAMBER BRKT. | S-2812 | 8 |
| 18 | 2027431 | FITTING, GREASE | 1199-N-1860 | 2 |
| 19 | 2121663 | WASHER, CAMSHAFT (THICK) | 1229-S-2697 | 2 |
| 20 | | SLACK ADJUSTER ASSY. | | |
| | 1032499 | RH | A2-3275-A-599 | |
| | 1032481 | LH | A2-3275-U-593 | |
| 21 | 2121671 | WASHER SPACING (STANDARD) | 1229-G-2971 | 6 |
| 22 | 2121697 | LOCKRING, CAMSHAFT | 1229-D-2942 | 2 |
| 23 | 0885962 | DUSTSHIELD, BOTTOM LH, TOP RH | | |
| 24 | 0801795 | CAPSCREW, DUSTSHIELD | 10X-1176 | 12 |
| 25 | | PLUG, DUSTSHIELD | 1250-C-419 | 2 |
| 26 | 0885970 | DUSTSHIELD, BOTTOM RH, TOP LH | | |
| 27 | 1099183 | BRAKE CHAMBER, 24" - 1366061 | 162895 | |
| 28 | 2137685 | YOKE, BRAKE CHAMBER PUSH ROD | A-1245-E-395 | |
| 29 | | N/A | | |

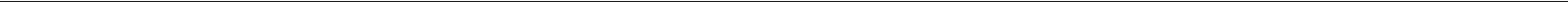
QUANTITY REQUIRED IS ONE UNLESS OTHERWISE SPECIFIED.



FRONT BRAKES

| KEY NO. | PART NO. | DESCRIPTION | VENDOR PART NO. | QTY REQ'D |
|---------|----------|---------------------------|-----------------|-----------|
| 30 | | N/A | | |
| 31 | 2595601 | LOCKWASHER, BRAKE CHAMBER | WA-110 | |
| 32 | 2001501 | NUT, BRAKE CHAMBER STUD | | |

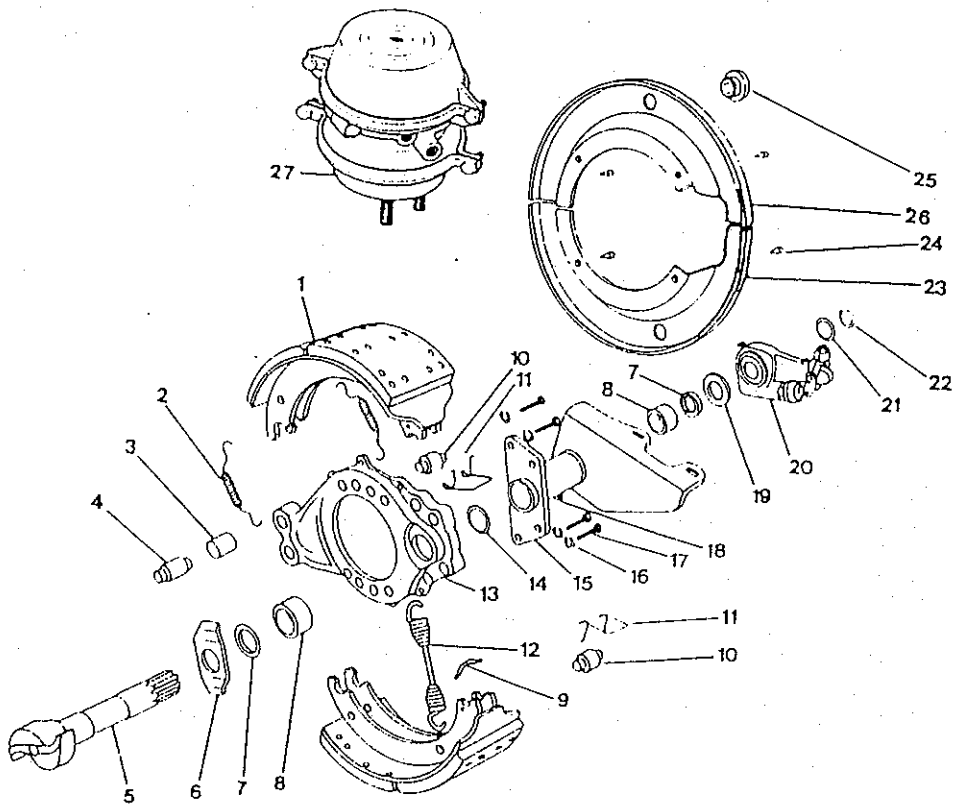
QUANTITY REQUIRED IS ONE UNLESS OTHERWISE SPECIFIED.



REAR BRAKES DRIVE AXLE*

| | | |
|------|----|---------|
| DR | 0Y | 2158558 |
| APP. | BY | |

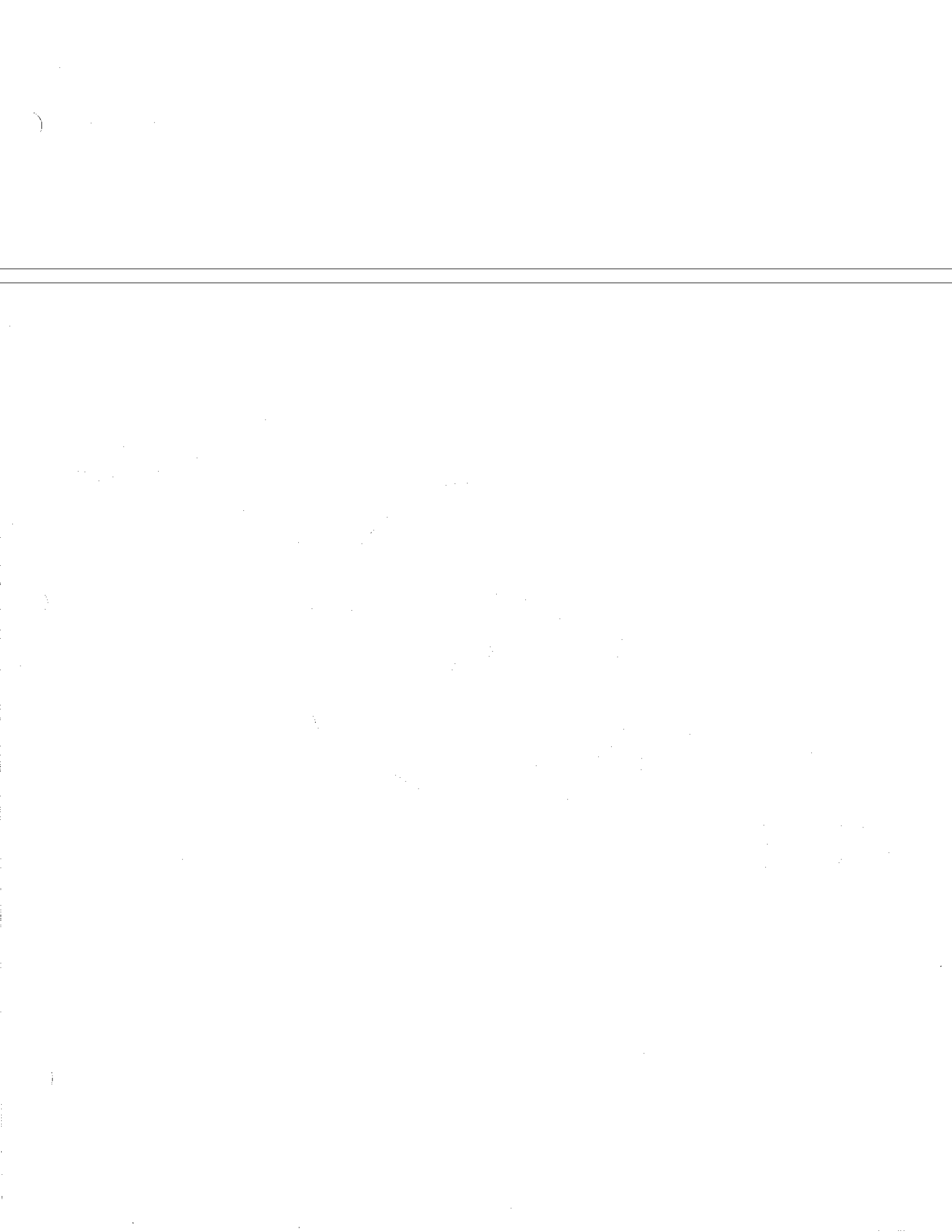
© 1985 BLUE BIRD BODY COMPANY
ALL RIGHTS RESERVED



REAR BRAKES
DRIVE AXLE*

| KEY NO. | PART NO. | DESCRIPTION | VENDOR PART NO. | QTY REQ'D |
|---------|----------|--|-----------------|-----------|
| 1 | 2121705 | BRAKE SHOE & LINING ASSY., 7" | | 4 |
| NI | 2120905 | BRAKE SHOE ONLY, 7" | A-3222-S-1293 | 4 |
| NI | 2118008 | KIT, BRAKE LINING, 7" (1 PER AXLE) | D39A-4515-E | |
| NI | 2135978 | RIVET, BRAKE LINING | 10-9 | 64 |
| 2 | 2120863 | SPRING BRAKE SHOE RETAINING | 2258-Q-615 | 4 |
| 3 | 2120889 | BUSHING, ANCHOR PIN | 1225-B-496 | 2 |
| 4 | 2120871 | ANCHOR PIN, BRAKE SHOE | 1259-N-274 | 2 |
| 5 | | CAMSHAFT, BRAKE | | |
| | 2121739 | LH | 2210-A-5331 | |
| | 2121747 | RH | 2210-B-5332 | |
| 6 | 2121622 | WASHER, CAMHEAD, (FLAT) | 1229-N-2250 | 2 |
| 7 | 2121689 | SEAL, CAMSHAFT | A-1205-V-1556 | 4 |
| 8 | 2597706 | BUSHING, CAMSHAFT SPIDER & BRKT. | 1225-N-378 | |
| 9 | 2597300 | PIN, BRAKE SHOE RETURN SPRING | 1218-G-85 | |
| 10 | 2598134 | ROLLER, BRAKE SHOE | 1779-R-18 | 4 |
| 11 | 2121655 | RETAINER, SHOE ROLLER | 3105-B-210 | 4 |
| 12 | 2638716 | RETURN SPRING, BRAKE SHOE | 2258-U-619 | 2 |
| 13 | 2137081 | SPIDER, BRAKE | A-3211-P-3448 | |
| 14 | 2644235 | GASKET, CHAMBER BRACKET | 1779-J-1024 | 2 |
| 15 | 2135689 | BRACKET, CAMSHAFT & CHAMBER LH & RH | A1-3299-M-1547 | |
| 16 | 2595809 | WASHER, BRACKET CAPSCREW | WA-18 | 8 |
| 17 | 2594109 | CAPSCREW, CHAMBER BRKT. | S-2812 | 8 |
| 18 | 2027431 | FITTING, GREASE | 1199-N-1860 | 2 |
| 19 | 2121663 | WASHER, CAMSHAFT, (THICK) | 1229-S-2697 | 2 |
| 20 | | SLACK ADJUSTER ASSY. | | |
| | 2134963 | LH | A2-3275-C-601-S | |
| | 2134971 | RH | A2-3275-W-595-S | |
| 21 | 2121671 | WASHER, SPACING | 1229-G-2971 | 6 |
| 22 | 2121697 | LOCKRING, CAMSHAFT | 1229-D-2942 | 2 |
| 23 | | N/A | | |
| 24 | | N/A | | |
| 25 | | N/A | | |
| 26 | | N/A | | |
| 27 | * | AIR CHAMBER ASSY., 30" ANCHORLOK | | |
| | 0754960 | LH 3502 (35' COACH) | | |
| | 0754952 | RH 3502 (35' COACH) | | |
| | 1143908 | LH 3706, 3903 (38', 40' COACH) | | |
| | 1143890 | RH 3706, 3903 (38', 40' COACH) | | |
| | | * FOR TAG AXLE BRAKES PLEASE SEE TAG AXLE EXPLOSION | | |
| | | ** SEE AIR CHAMBER SECTION FOR COMPONENT PARTS. | | |

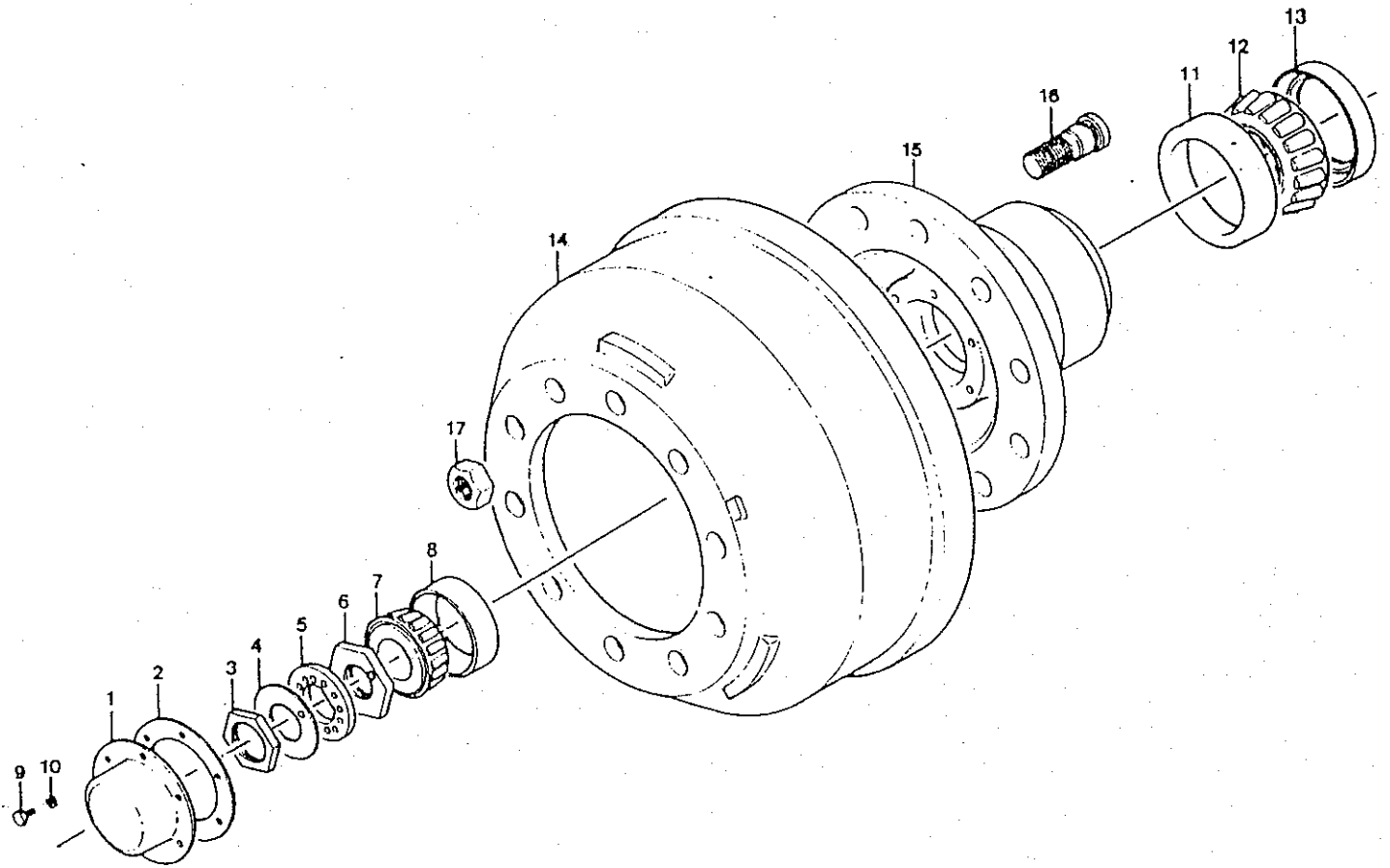
QUANTITY REQUIRED IS ONE UNLESS OTHERWISE SPECIFIED.



WHEEL END COMPONENTS, FRONT

| | | |
|----------|-----------|---------|
| DI 10 29 | BY Andrew | 8004954 |
| APP. | BY | |

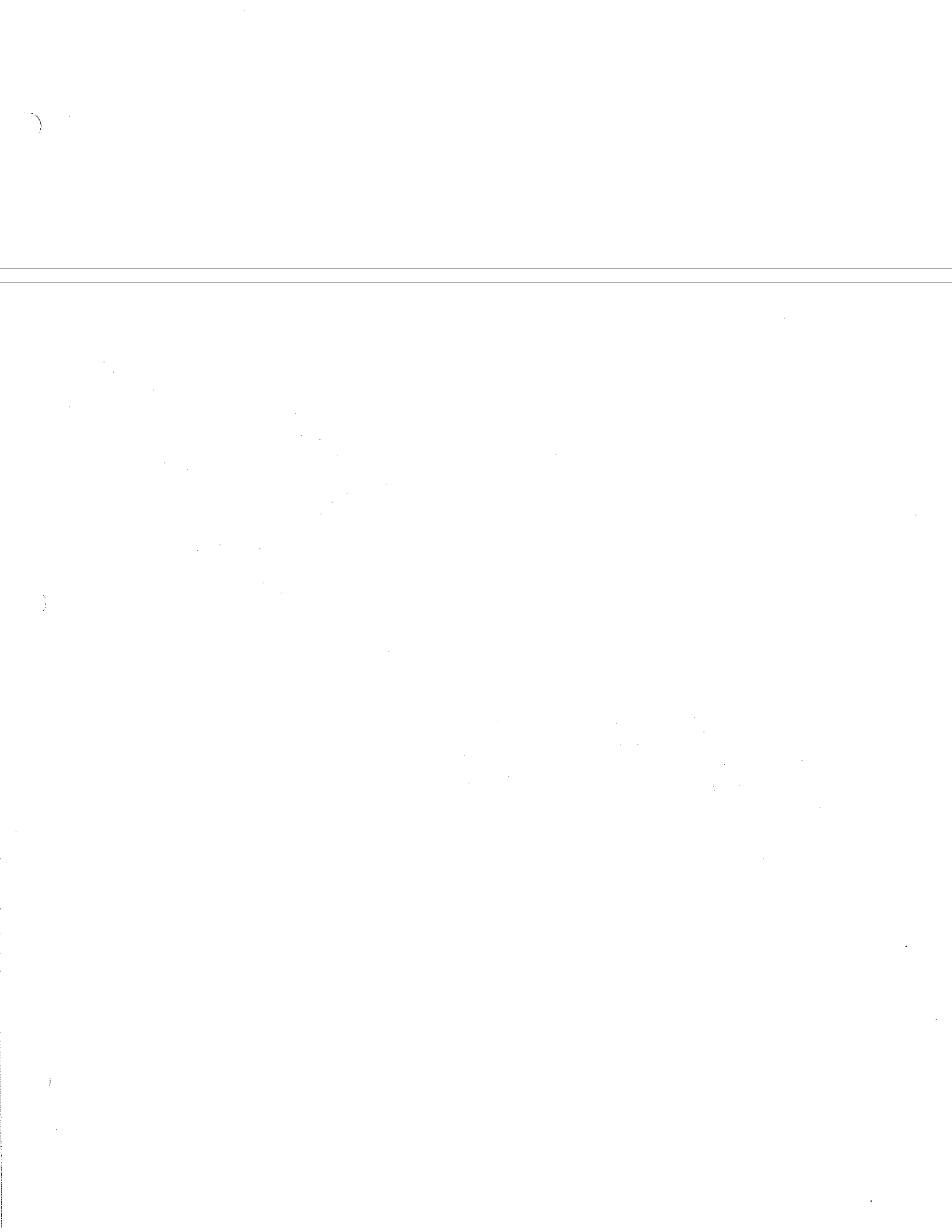
FRONT © 1985 BLUE BIRD BODY COMPANY ALL RIGHTS RESERVED



WHEEL END COMPONENTS, FRONT

| KEY NO. | PART NO. | DESCRIPTION | VENDOR PART NO. | QTY REQ'D |
|---------|----------|----------------------------------|-----------------|-----------|
| 1 | 0998534 | HUB CAP, FRONT | 340-4095 | |
| 2 | 0998484 | GASKET, FRONT HUB CAP | 330-3009 | |
| 3 | 2598217 | JAM NUT, OUTER WHEEL BEARING | 1227-B-106 | |
| 4 | 2600617 | LOCK, OUTER WHEEL BEARING | 1229-F-474 | |
| 5 | 2600815 | LOCKING, OUTER WHEEL BEARING NUT | 1229-G-475 | |
| 6 | 2599017 | ADJUSTING NUT, WHEEL BEARING | 1227-U-541 | |
| 7 | 0929414 | BEARING ASSY., OUTER | 3782 | |
| 8 | 2600179 | CUP, OUTER BEARING | 3720 | |
| 9 | 0654459 | CAPSCREW, HUB CAP | | |
| 10 | 2001188 | LOCKWASHER, HUB CAP CAPSCREW | | |
| 11 | 2593093 | CUP, INNER BEARING | HM-212011 | |
| 12 | 0929406 | BEARING ASSY., INNER | HM-212049 | |
| 13 | 0997908 | SEAL, WHEEL BEARING, INNER | | |
| 14 | 1117365 | DRUM, BRAKE | | |
| 15 | 1147016 | HUB & CUP ASSY., STD. | 1521F-N | |
| 16 | | STUDS, LUG | | |
| | 1034719 | LH | UF-531L | |
| | 1034727 | RH | UF-531R | |
| 17 | | NUT, LUG | | |
| | 1034784 | LH | 1199-M-117 | |
| | 1034776 | RH | 1199-N-118 | |
| NI | 0992941 | HUB COVER, CHROME | | |
| NI | 0992925 | NUT COVER, CHROME | | |

QUANTITY REQUIRED IS ONE UNLESS OTHERWISE SPECIFIED.

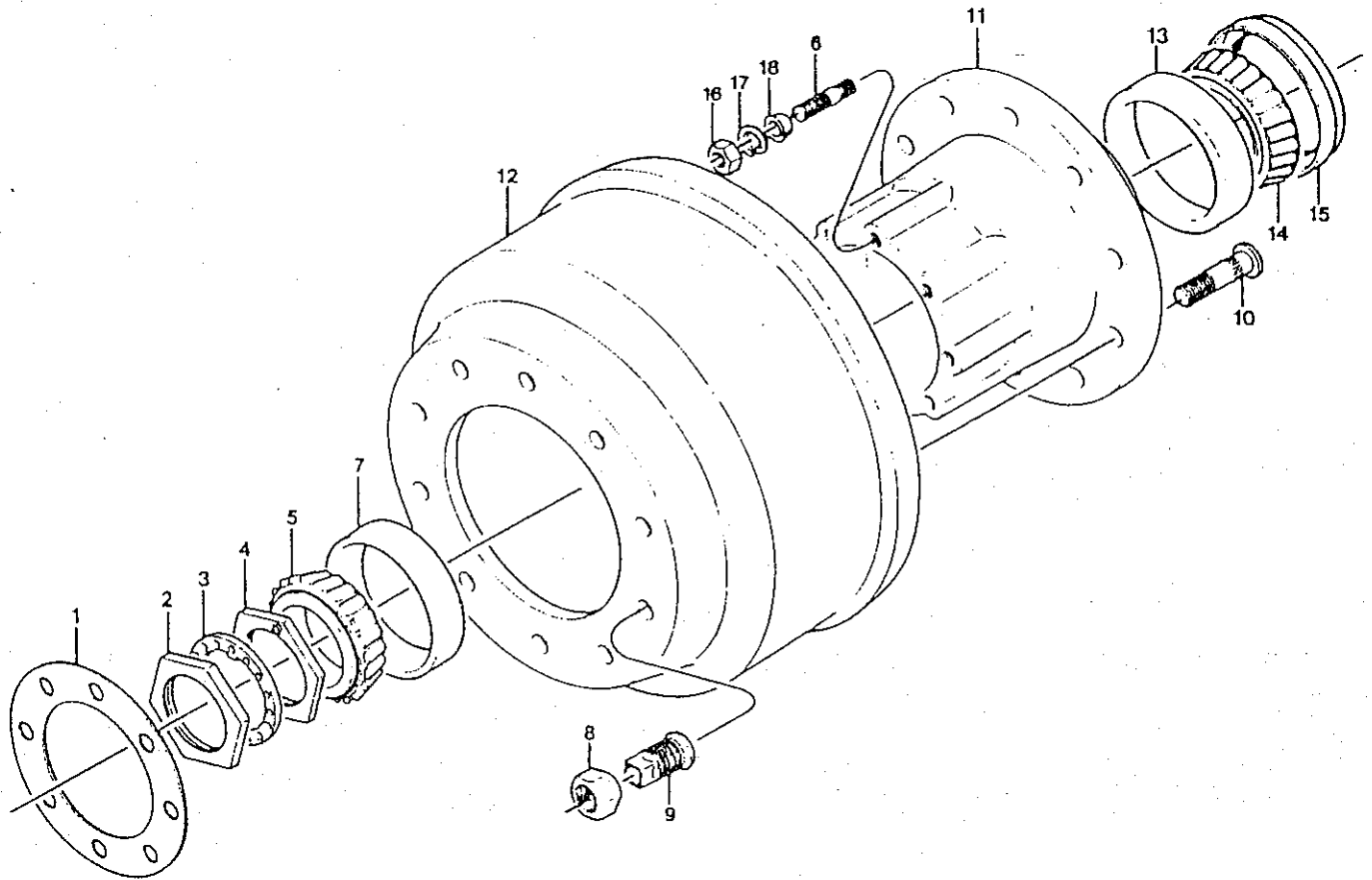


WHEEL END COMPONENTS
REAR, DRIVE AXLE*

| | |
|-------------------------------|---------|
| DR. 11/15/85 BY <i>Andrew</i> | 8004962 |
| | APP. BY |

FRONT

© 1985 BLUE BIRD BODY COMP
ALL RIGHTS RESERVED



WHEEL END COMPONENTS, REAR
DRIVE AXLE*

| KEY NO. | PART NO. | DESCRIPTION | VENDOR PART NO. | QTY REQ'D |
|--|----------|-----------------------------------|-----------------|-----------|
| 1 | 0929083 | GASKET, AXLE FLANGE | 2208-X-440 | 2 |
| 2 | 2598613 | NUT, WHEEL BEARING, OUTER | 1227-R-330 | 2 |
| 3 | 2647238 | WASHER, LOCK, WHEEL BEARING NUT | 1229-U-1009 | 2 |
| 4 | 2599215 | NUT, WHEEL BEARING, INNER | 1227-W-517 | 2 |
| 5 | 0929059 | WHEEL BEARING (OUTER) | 580 | 2 |
| 6 | 2138584 | STUD, AXLE SHAFT DRIVE | 161832 | 16 |
| 7 | 2621571 | CUP, OUTER WHEEL BEARING | 572 | 2 |
| 8 | | NUT, WHEEL STUD, OUTER | | 10 |
| | 1034784 | LH | 1199-M-117 | |
| | 1034776 | RH | 1199-N-118 | |
| 9 | | NUT, WHEEL STUD, INNER | | 10 |
| | 1084813 | LH | | |
| | 1084805 | RH | | |
| 10 | | STUD, WHEEL | | 10 |
| | 1034750 | LH | 195L | |
| | 1034768 | RH | 195R | |
| 11 | 1147024 | HUB & CUP ASSY. | 16227-N | |
| 12 | 1117340 | BRAKE DRUM | B69883B | |
| 13 | 2621779 | CUP, WHEEL BEARING (INNER) | 592-A | 2 |
| 14 | 0929042 | WHEEL BEARING (INNER) | 594-A | 2 |
| 15 | 0929067 | OIL SEAL, WHEEL BEARING (INNER) | 47697-S | 2 |
| 16 | 0929000 | NUT, AXLE SHAFT DRIVE STUD | | 16 |
| 17 | 2001220 | LOCKWASHER, AXLE SHAFT DRIVE STUD | | 16 |
| 18 | 0929091 | DOWEL, AXLE SHAFT DRIVE STUD | 13885 | 16 |
| NI | 0992933 | HUB COVER, CHROME | | |
| NI | 2127108 | LOCKING RING, HUB COVER | | 5 |
| NI | 0992925 | NUT, COVER, CHROME | | |
| * FOR TAG AXLE WHEEL END COMPONENTS PLEASE SEE TAG AXLE EXPLOSION | | | | |

QUANTITY REQUIRED IS ONE UNLESS OTHERWISE SPECIFIED.

)

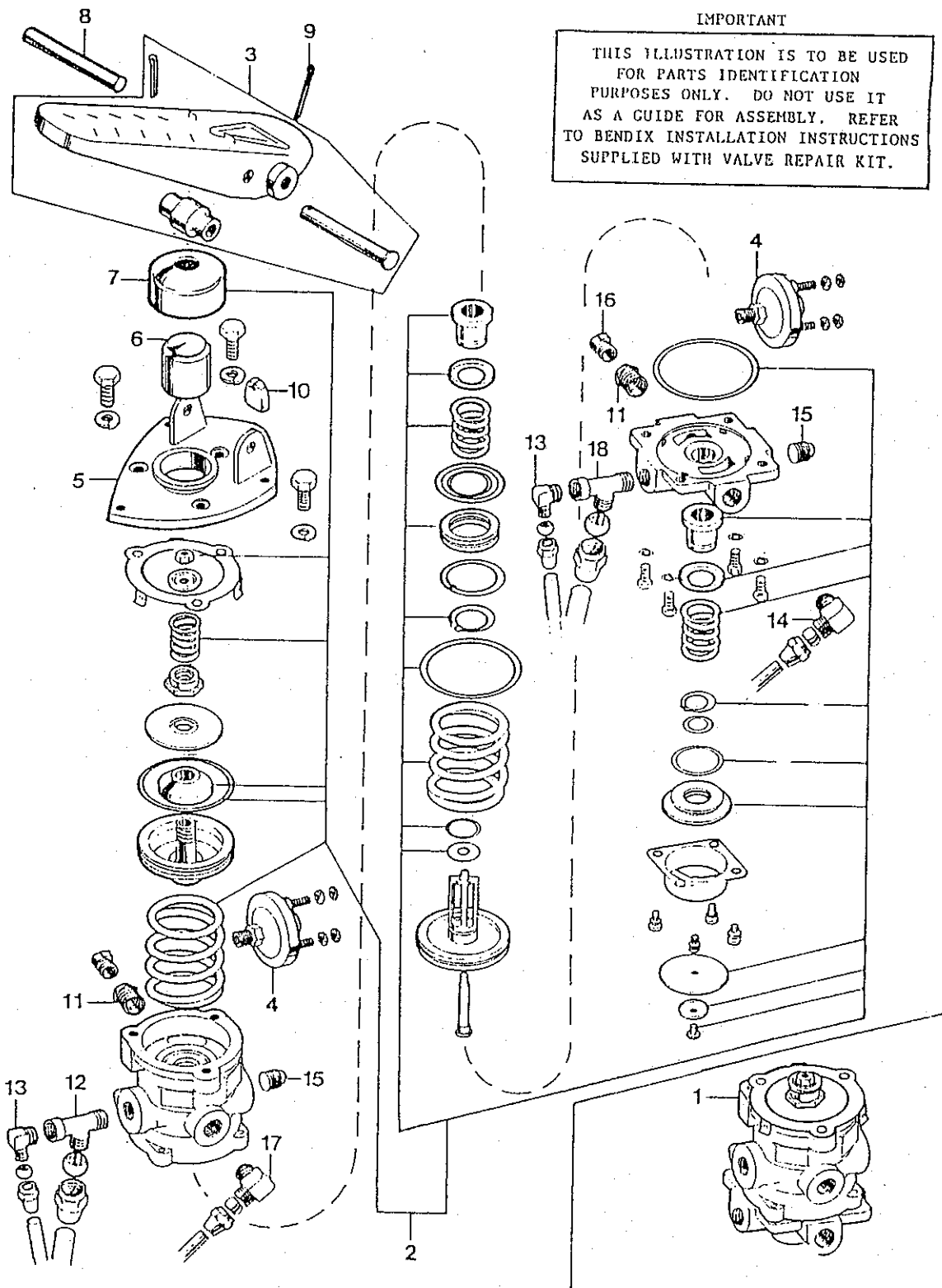
1

)

BRAKE TREADLE VALVE

DR 5/27/81 BY JET
 APP 10/25/82 BY DVB 8001679

© 1983 BLUE BIRD BODY COMPANY
 ALL RIGHTS RESERVED

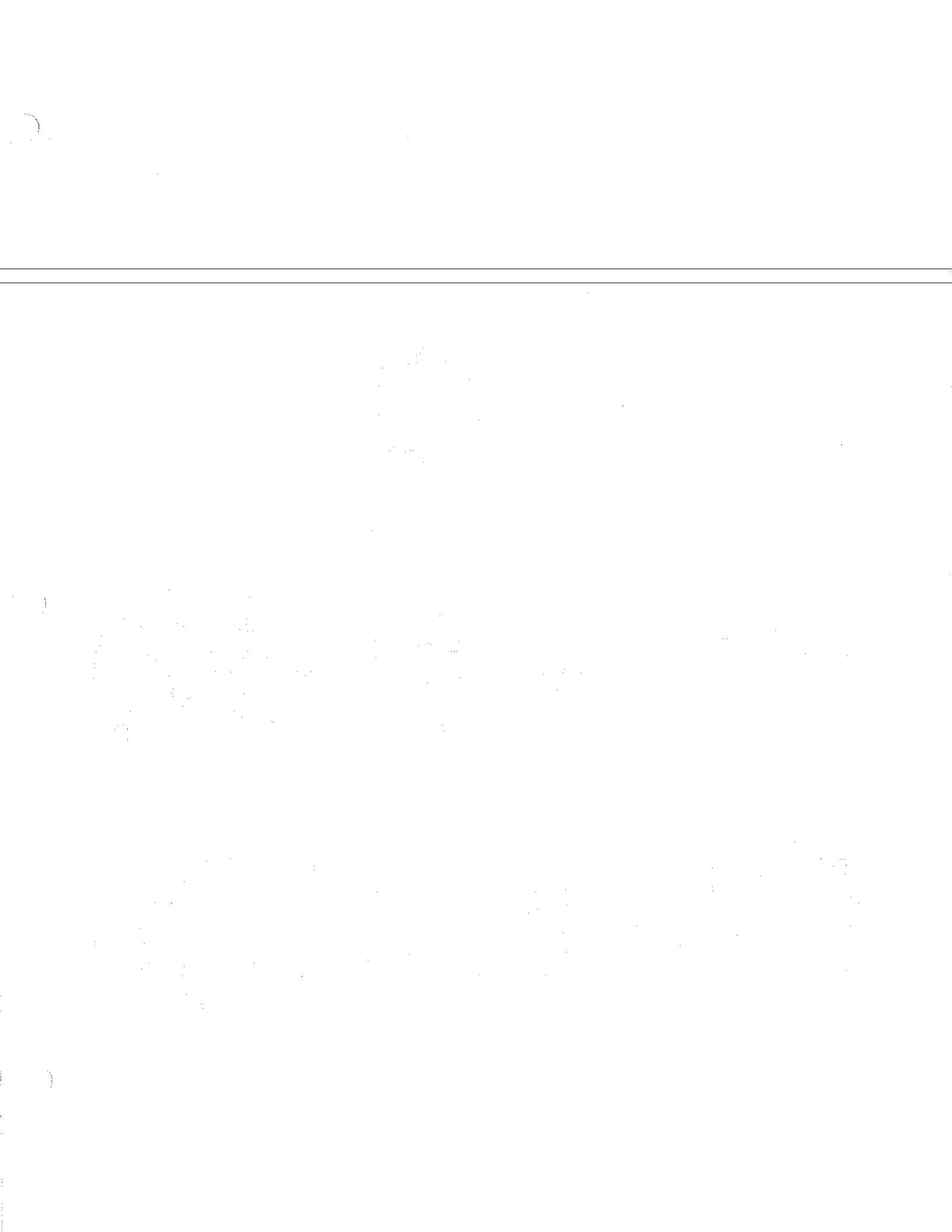


BRAKE TREADLE VALVE

4

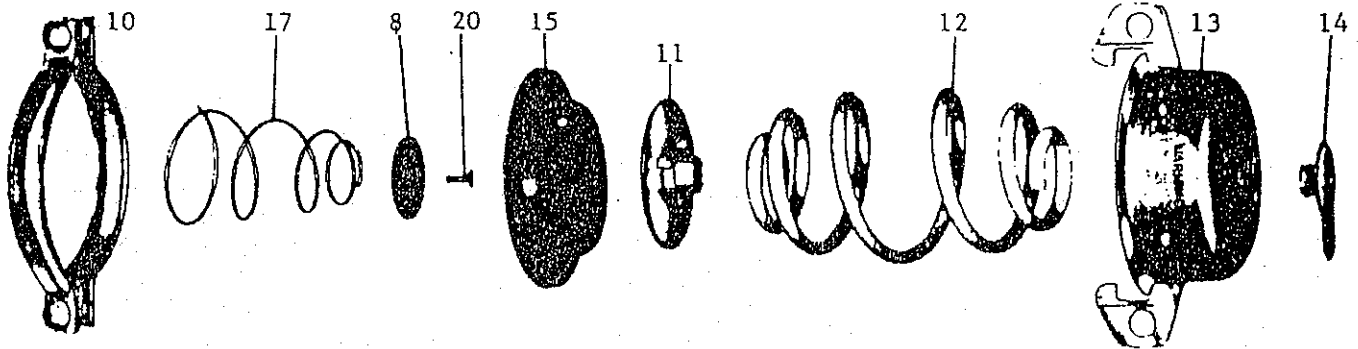
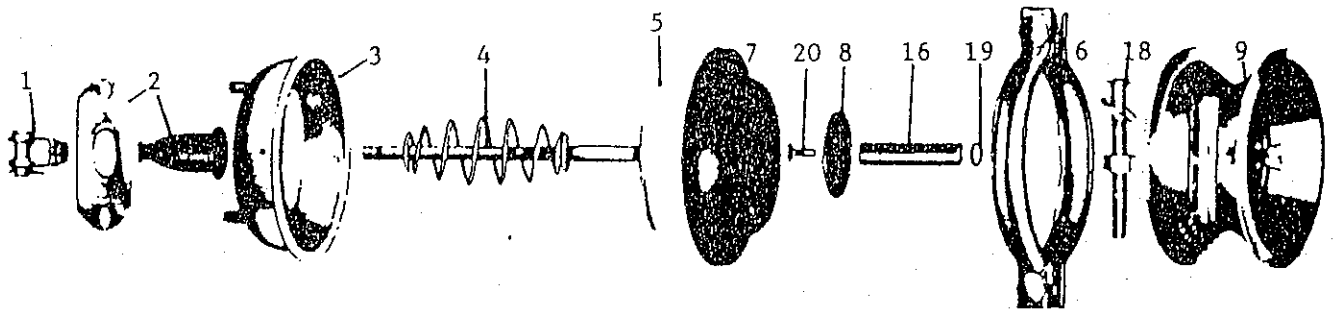
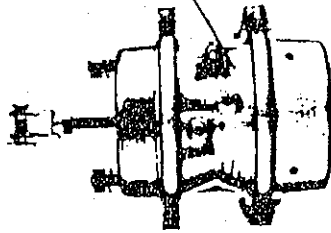
| KEY NO. | PART NO. | DESCRIPTION | QTY REQ'D |
|---------|----------|---|-----------|
| 1 | 0654533 | VALVE ASSY., BRAKE TREADLE | |
| 2 | 2643237 | REPAIR KIT, TREADLE VALVE | |
| 3 | 1133347 | TREADLE, DUAL BRAKE VALVE, RUBBER COVERED | |
| NI | 2137545 | COVER, RUBBER, DUAL BRAKE VALVE TREADLE | |
| 4 | 0998740 | SWITCH, STOP LIGHT | 2 |
| 5 | 0654467 | PLATE, MOUNTING | |
| 6 | 0654483 | PLUNGER, BRAKE VALVE | |
| 7 | 0654475 | BOOT, BRAKE VALVE | |
| 8 | 0654517 | PIN, BRAKE VALVE FULCRUM | |
| 9 | 0654509 | PIN, ROLL, BRAKE VALVE FULCRUM | |
| 10 | 0654491 | BOTTOM, STOP | |
| 11 | 2027134 | BUSHING, 1/4 X 3/8 PIPE | |
| 12 | 0948919 | TEE, 1/4 FEMALE PIPE X 3/8 MALE PIPE X 1/2 TUBE | |
| 13 | 2023935 | ELBOW, 1/4 MALE PIPE X 1/4 TUBE | |
| 14 | 2023265 | ELBOW, 3/8 MALE PIPE X 3/8 TUBE | |
| 15 | 2009595 | PLUG, 3/8 PIPE | |
| 16 | 2027233 | ELBOW, 90 DEGREE STREET, 1/4 PIPE | |
| 17 | 2023307 | ELBOW, 3/8 MALE PIPE X 1/2 TUBE | |
| 18 | 0654319 | TEE, 1/4 FPT X 3/8 MPT X 1/2 TUBE | |

QUANTITY REQUIRED IS ONE UNLESS OTHERWISE SPECIFIED.



REAR BRAKE CHAMBER
DRIVE AXLE
ANCHORLOK 3030 (35' COACH), 3036 (38' & 40' COACH)

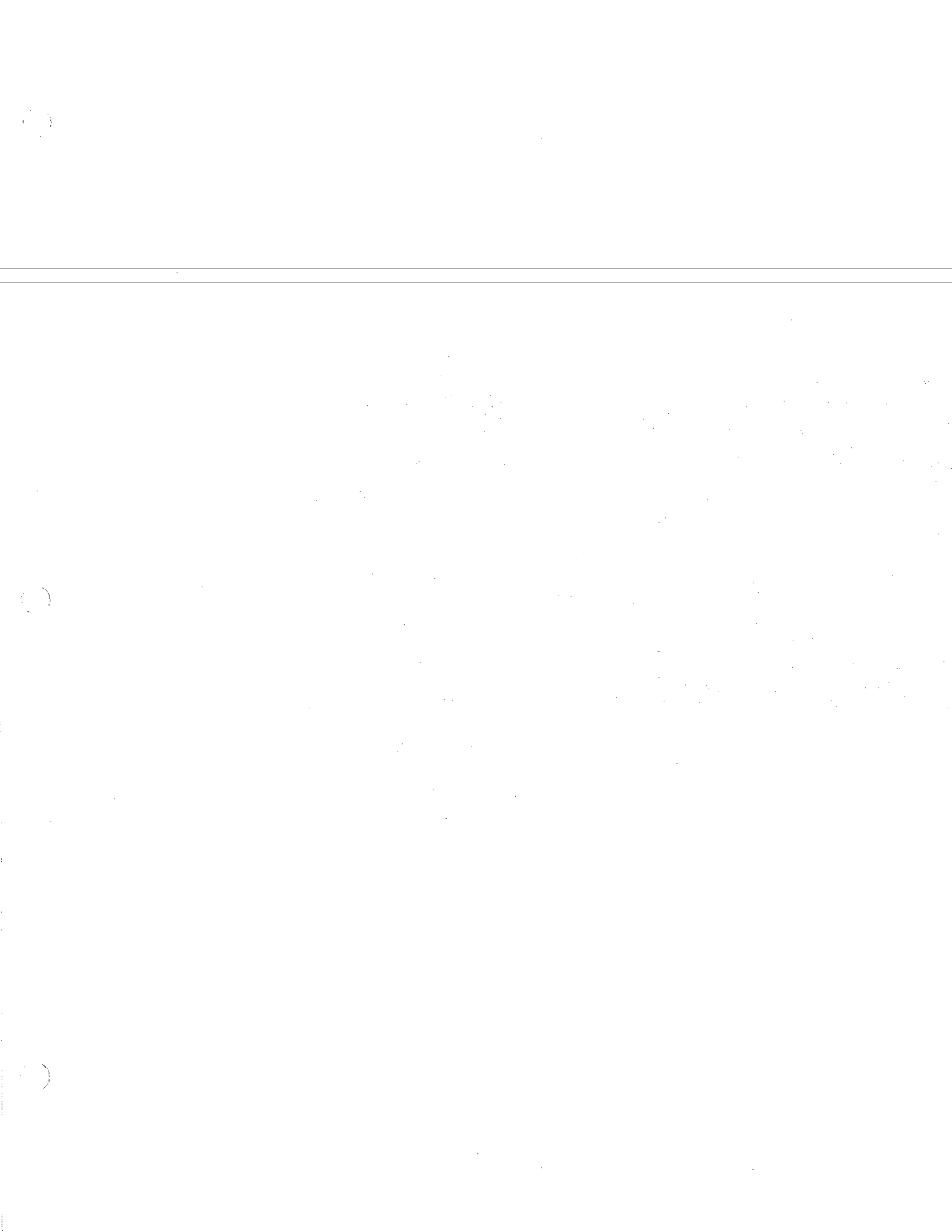
MODEL NO.
3030

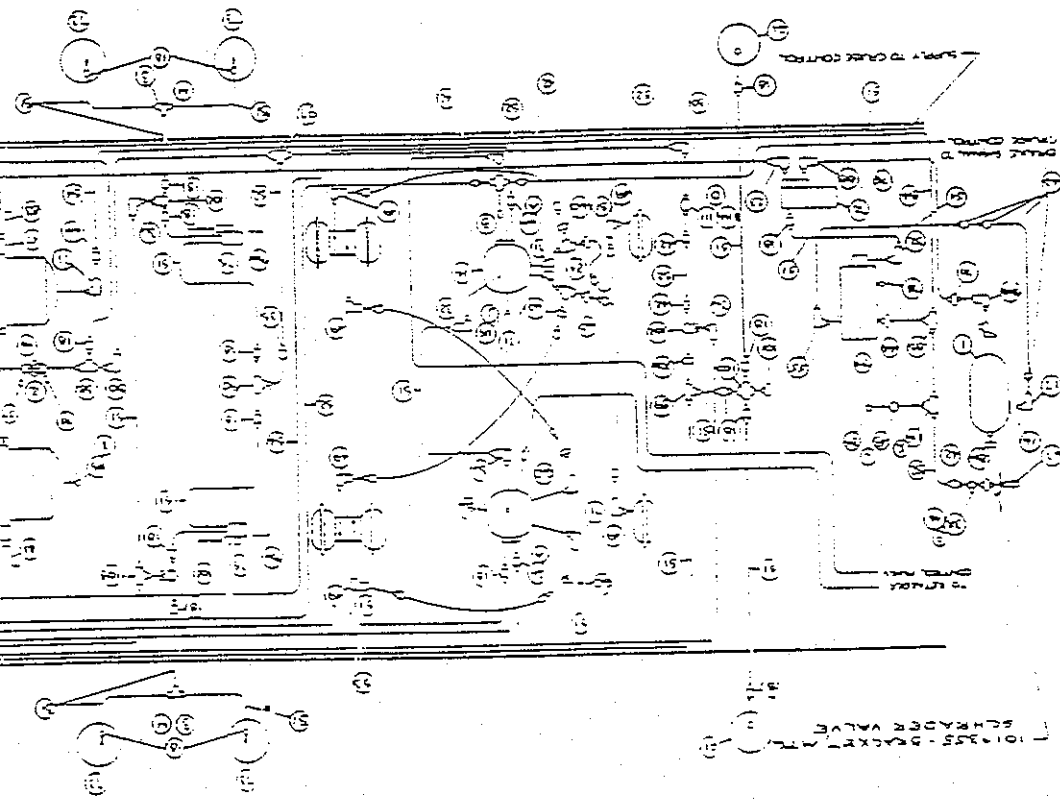


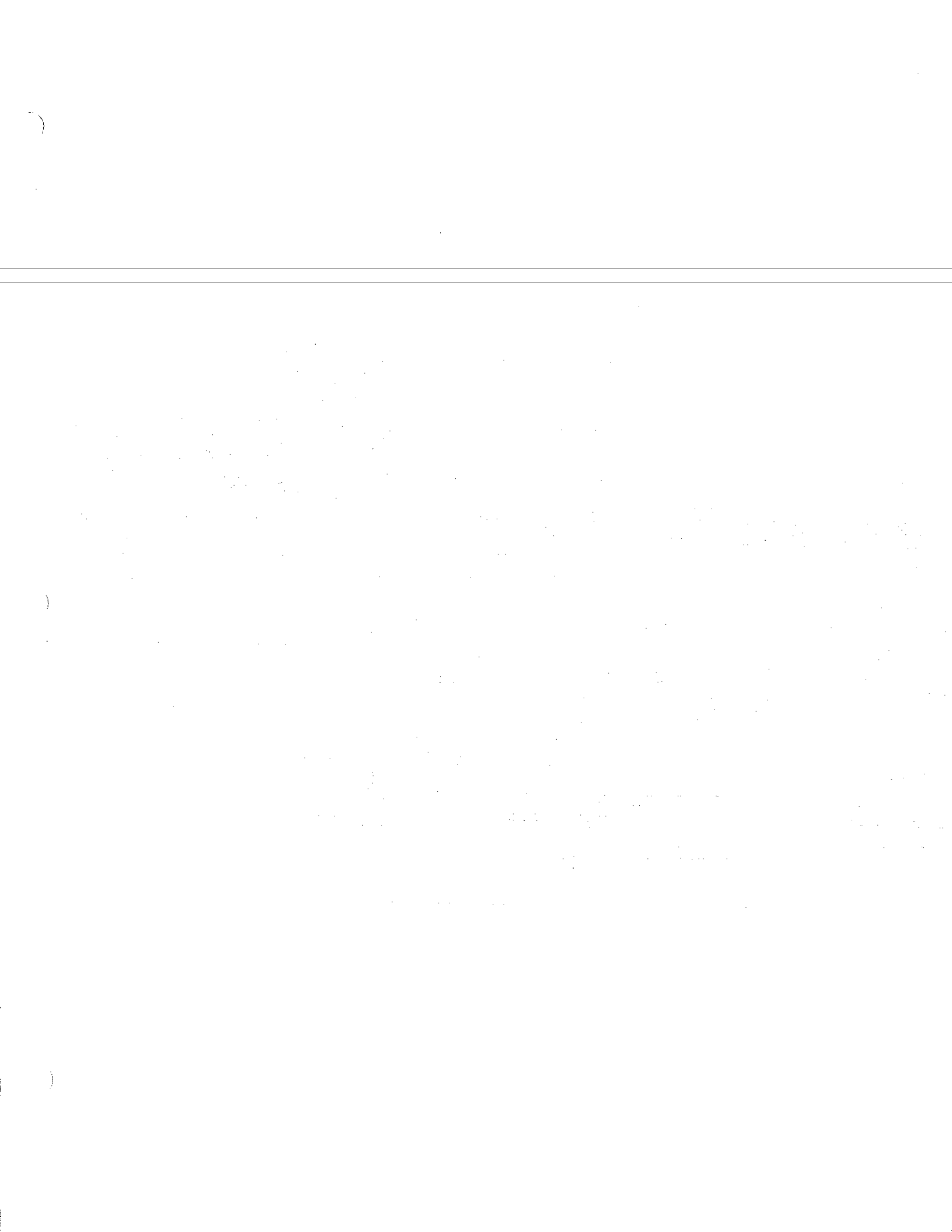
DRIVE AXLE
ANCHORLOK 3030 (35' COACH), 3036 (38' & 40' COACH)

| KEY NO. | PART NO. | DESCRIPTION | VENDOR PART NO. | QTY REQ'D |
|---------|----------|--|-----------------|-----------|
| 1 | 2137685 | CLEVIS ASSEMBLY * | A-1245-E-395 | |
| 2 | 2703411 | DUST BOOT ASSEMBLY | 11M034 | |
| 3 | 2703718 | HOUSING ASSEMBLY | 1126M015 | |
| 4 | 2703395 | RETURN SPRING | 11M016 | |
| 5 | 2703452 | PUSH ROD ASSEMBLY | 1126M017 | |
| 6 | 2703437 | CLAMP ASSEMBLY | 1126M005 | |
| 7 | 2643534 | DIAPHRAGM | 1126M009 | |
| 8* | NSS | PLATE (SEE ADAPTER ASSY, BELOW) | | |
| 9* | NSS | ADAPTER (SEE ADAPTER ASSY, BELOW) | | |
| 10 | | CLAMP ASSY. | | |
| | 2703437 | 3030 | 1126M005-CA | |
| | 2159556 | 3036 | 1128M005-CA | |
| 11@ | NSS | PRESSURE PLATE (SEE CHAMBER ASSY, BELOW) | | |
| 12@ | NSS | COMPRESSION SPRING (SEE CHAMBER ASSY, BELOW) | | |
| 13@ | NSS | CHAMBER (SEE CHAMBER ASSY, BELOW) | | |
| 14 | 2118545 | PLUG | 11M012 | |
| 15 | | DIAPHRAGM | | |
| | 2643534 | 3030 | | |
| | 2159564 | 3036 | | |
| 16* | NSS | ADAPTER PUSH ROD (SEE ADAPTER ASSY, BELOW) | | |
| 17* | NSS | RETURN SPRING (SEE ADAPTER ASSY, BELOW) | | |
| 18@ | | RELEASE STUD ASSY. | | |
| | 2707198 | 3030 | 11M011 | |
| | 2159572 | 3036 | 1128M011 | |
| 19* | NSS | "O" RING (SEE ADAPTER ASSY, BELOW) | | |
| 20* | NSS | NYLOK SCREW (SEE ADAPTER ASSY, BELOW) | | |
| NI | | ADAPTER ASSY. (INCLUDES PARTS NOTED WITH *) | | |
| | 2139731 | 3030 | 1126M001-AA | |
| | 2159549 | 3036 | 1135M001-AA | |
| NI | | CHAMBER ASSY. (INCLUDES PARTS NOTED WITH @) | | |
| | 2140002 | 3030 | 1126M002-CA | |
| | 2159531 | 3036 | 1128M002-CA | |

QUANTITY REQUIRED IS ONE UNLESS OTHERWISE SPECIFIED.



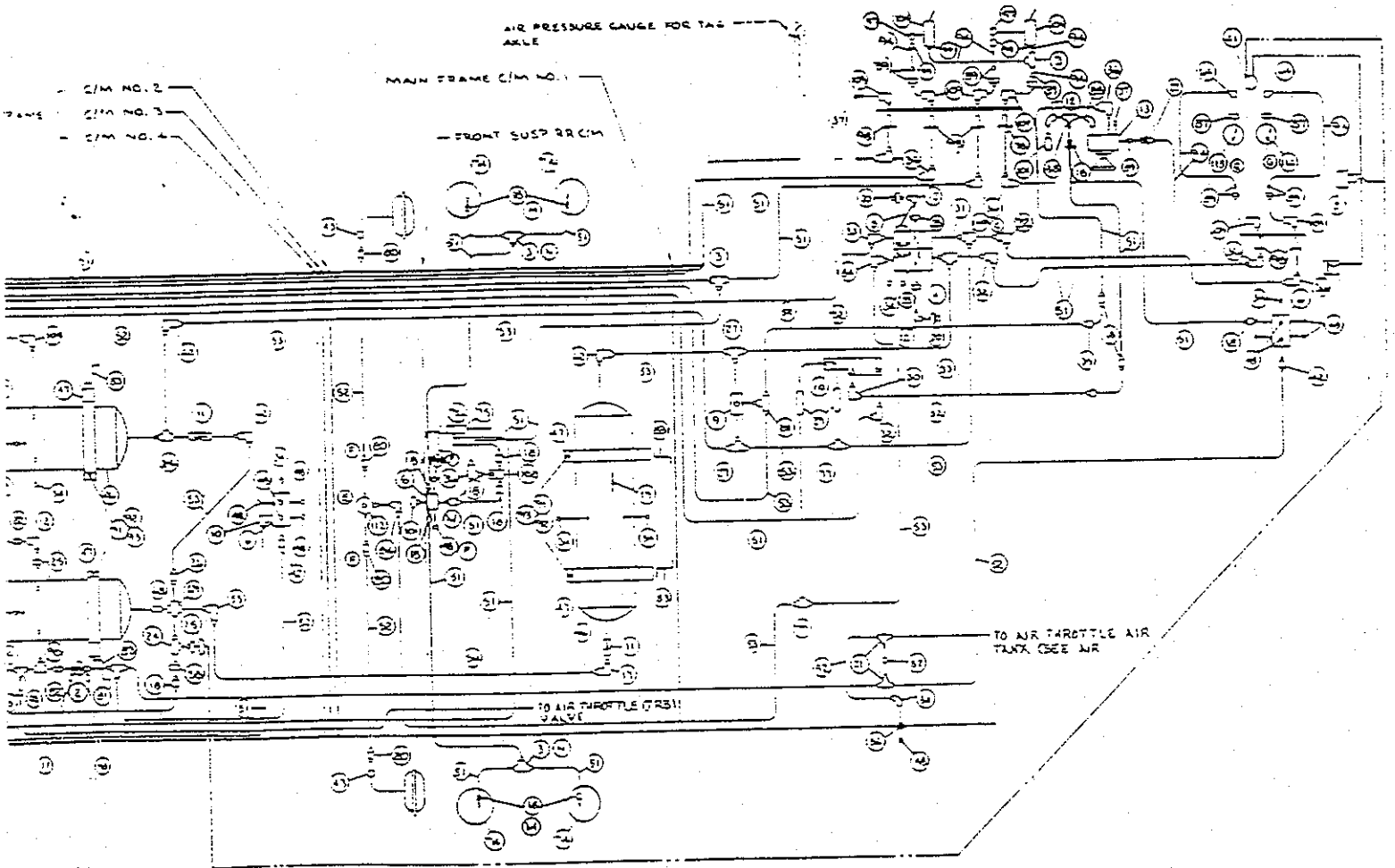




AIR BRAKE SYSTEM
MODEL 3502 (35')

| | |
|----------------------------------|---------|
| OR 2/12/86 BY <i>[Signature]</i> | 8005464 |
| APP 2/14/86 BY <i>DR</i> | |

FRONT © 1985 BLUE BIRD BODY COMPANY
ALL RIGHTS RESERVED



AIR BRAKE SYSTEM
MODEL 3502 (35')

| KEY NO. | PART NO. | DESCRIPTION | QTY REQ'D |
|---------|----------|--|-----------|
| 1 | | AIR COMPRESSOR, 12 CFM | |
| 2 | 0522508 | VALVE, PRESSURE PROTECTION, 65 PSI | 2 |
| 3 | 2008381 | TEE, 1/4 | 6 |
| 4 | 0654533 | VALVE DUAL BRAKE, E6 | |
| 5 | 1133347 | TREADLE ASSY., W/RUBBER COVER | |
| NI | 2137545 | COVER, RUBBER, TREADLE ASSY. | |
| 6 | 2023083 | MANIFOLD | 3 |
| 8 | 2006187 | BUZZER, ESSEX | |
| 9 | 0654434 | VALVE, DOUBLE CHECK, 3/8 PIPE | |
| 10 | 0654426 | VALVE, SPRING BRAKE SR-1 | |
| 11 | 0654418 | VALVE, SINGLE CHECK 1/2 PIPE | 2 |
| 12 | 2027233 | ELBOW, 1/4 STREET | 4 |
| 13 | 0900266 | VALVE, PP-1 CONTROL 30 PSI | |
| 14 | 1066679 | VALVE, SERVICE BRAKE RELAY R-12 | |
| NI | 0756783 | BRACKET, RELAY VALVE, MOUNTING, REAR AXLE | |
| NI | 2135721 | REPAIR KIT, SERVICE BRAKE RELAY | |
| 15 | 1145853 | INDICATOR, LOW PRESSURE, 66 PSI | |
| 16 | 2023091 | FITTING, DISCHARGE | |
| 17 | 2026706 | ELBOW, 1/2 MPT X 5/8 TUBE FLARE | 2 |
| 18 | 2023224 | CONNECTOR, 1/4 MPT, X 1/4 TUBE | 33 |
| 19 | 1110188 | COCK, DRAIN, RESERVOIR | 3 |
| 20 | 0998740 | SWITCH, STOP LIGHT | 2 |
| 21 | 0756817 | TEE, 1/4 FEMALE PIPE X 3/8 TUBE X 3/8 TUBE | 2 |
| 22 | 2023570 | CONNECTOR, 1/8 MPT X 1/4 TUBE | |
| 23 | 2026979 | ELBOW, 1/8 MPT X 1/4 IF | |
| 24 | 0654350 | TEE, STREET 1/2 PIPE | 4 |
| 25 | 2027134 | BUSHING, PIPE 3/8 X 1/4 | 3 |
| 26 | 2023380 | CONNECTOR, 1/2 MPT X 1/2 TUBE | 2 |
| 27 | 0556878 | TEE, 3/8 M PIPE X 1/2 TUBE X 1/2 TUBE | 2 |
| 28 | 0654335 | TEE, W/8 MP X 1/2 TUBE X 3/8 TUBE | |
| 29 | 2009330 | NIPPLE, PIPE, 1/4 X 2 | 2 |
| 30 | 2023190 | ELBOW, 1/4 MPT X 3/8 TUBE | 4 |
| 31 | 0654319 | TEE 1/4 FPT X 3/8 MPT X 1/2 TUBE | |
| 32 | 2023935 | ELBOW, 1/4 MPT X 1/4 TUBE | 6 |
| 33 | 2023265 | ELBOW, 3/8 MPT X 3/8 TUBE | |
| 34 | 2009595 | PLUG, PIPE, 3/8 | 8 |
| 35 | 2023257 | CONNECTOR, 1/4 FPT X 3/8 TUBE | 3 |
| 36 | 2023786 | ELBOW, 1/8 MPT X 1/4 TUBE | 11 |
| 37 | 2027118 | PLUG, 1/8" PIPE | 4 |
| 38 | 0654277 | TEE, STREET, 1/4 PIPE | |
| 39 | 0654970 | INSERT, HYTRON TUBING | |
| 41 | 2006807 | LIGHT, PILOT, 17/32", RED LENS | |
| 42 | 2023182 | CONNECTOR, 1/4 MPT X 3/8 TUBE | 7 |
| 43 | 0758698 | COUPLING ANCHOR | 3 |
| 44 | 2023950 | PIPE BUSHING 1/2 X 3/4 | |
| 46 | 0991513 | RESERVOIR, 1760 CU. IN. | 3 |
| 47 | 0850586 | BRACKET MOUNTING, AIR RESERVOIR | 12 |
| 48 | 2023513 | PLUG, PIPE 1/4" | 16 |

QUANTITY REQUIRED IS ONE UNLESS OTHERWISE SPECIFIED.

AIR BRAKE SYSTEM
MODEL 3502 (35')

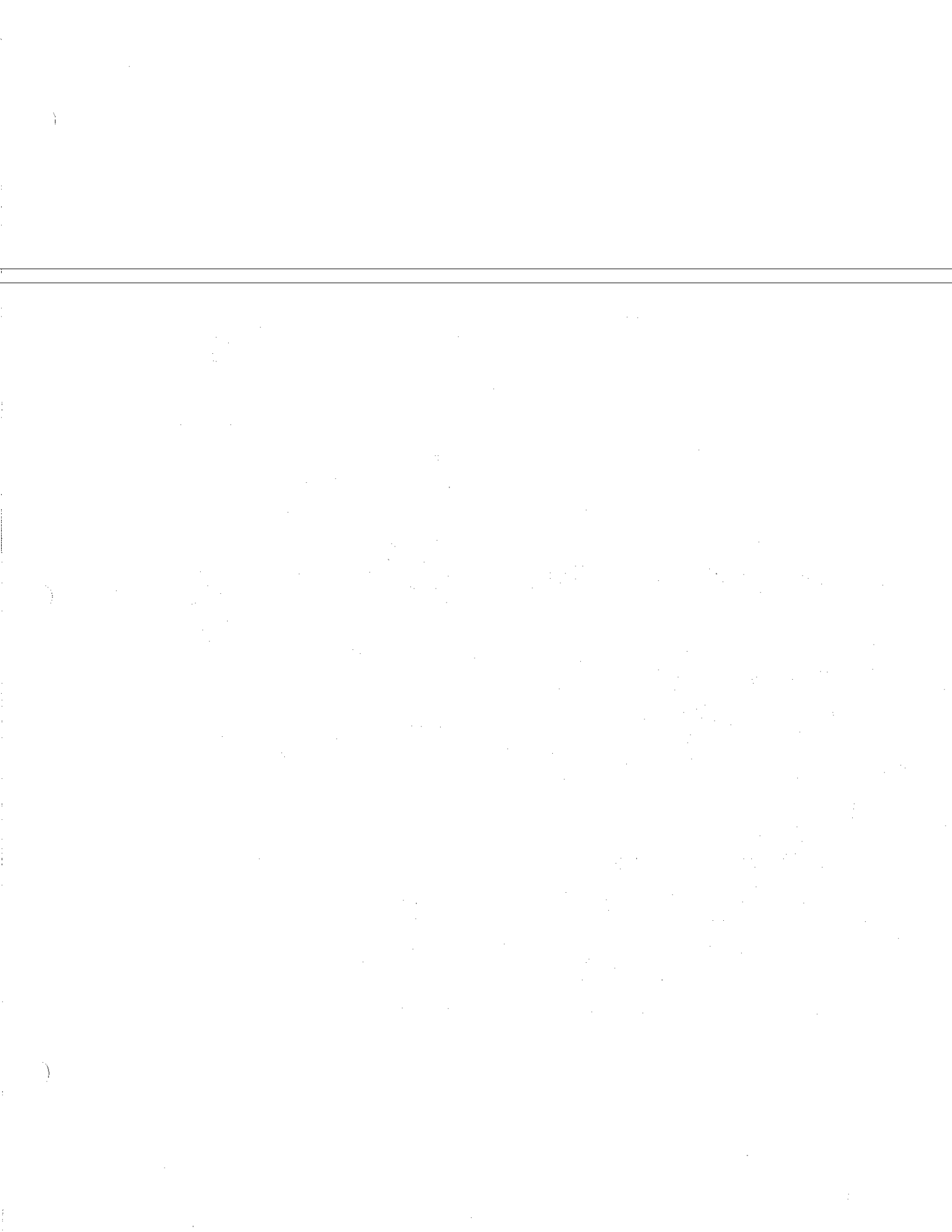
| KEY NO. | PART NO. | DESCRIPTION | QTY REQ'D |
|---------|----------|---|-----------|
| 49 | 2027241 | ELBOW, 3/8 STREET | 6 |
| 50 | 0839019 | VALVE SAFETY, 1/4 MALE PIPE | |
| 51 | 2008431 | TUBING, COPPER 1/4 | |
| 52 | 2027381 | TUBING, 3/8 COPPER | |
| 53 | 2027399 | TUBING, 1/2 COPPER | |
| 54 | 2027407 | TUBE, 5/8 COPPER | |
| 55 | 0754879 | ELBOW, 1/2 MALE PIPE X 5/8 TUBE | 2 |
| 56 | 1066323 | VALVE, SPRING BRAKE RELAY R-14 | |
| NI | 0756783 | BRACKET, RELAY VALVE, MOUNTING, REAR AXLE | |
| NI | 2135721 | REPAIR KIT, SPRING BRAKE RELAY | |
| 57 | 2227353 | FITTING "L" | 2 |
| 58 | 2027159 | BUSHING PIPE 1/2 X 1/4 | 2 |
| 59 | 0990747 | TEE, 1/8 MPT X 1/4 TUBE X 1/4 TUBE | |
| 60 | 2023539 | BUSHING, PIPE 1/2 MPT X 3/8 FPT | 6 |
| 61 | 0990671 | AIR SPRING RIDEWELL TAG SUSPENSION | |
| 62 | 2023349 | ELBOW, 1/2 MPT X 1/2 TUBE | 3 |
| 63 | 0810630 | HOSE ASSY., AIR COMPRESSOR DISCHARGE 24" | |
| 64 | 2008241 | ELBOW, MALE 1/4 TUBE X 1/8 PIPE | 2 |
| 66 | 2023356 | CONNECTOR, 1/2 MPT X 5/8 TUBE | 2 |
| 67 | 0818609 | VALVE, SCHRADER, 1/4" MPT | |
| 68 | 2023992 | NIPPLE, 1/2 CLOSE PIPE | |
| 69 | 0871756 | CROSS, 1/2 PIPE | |
| 70 | 1119700 | ADAPTER, SWIVEL, MALE PIPE | |
| 71 | 2008274 | ELBOW, 90 DEG. STREET | 5 |
| 72 | 0908160 | GOVERNOR, AIR COMPRESSOR, 100-120 PSI | |
| 73 | 0961250 | AIR SPRING RIDEWELL REAR SUSP. | |
| 74 | 0961425 | AIR SPRING RIDEWELL FRONT SUSP. | |
| 75 | 0871376 | HEIGHT CONTROL VALVE | |
| 76 | 0870303 | HOSE ASSY. | |
| 77 | 2023505 | TEE, 1/4 FPT X 1/2 TUBE X 1/2 TUBE | 2 |
| 78 | 0417550 | PLUG, PIPE 1/2 | |
| 79 | 0801373 | AIR DRYER | |
| NI | 1137272 | BRACKET, MOUNTING, AIR DRYER | |
| NI | 2107753 | DESSICANT CARTRIDGE KIT, AIR DRYER | |
| 80 | 2023240 | CONNECTOR, 3/8 MPT X 3/8 TUBE | 4 |
| 81 | 0754846 | TEE, 1/4 FEMALE PIPE X 3/8 TUBE X 3/8 TUBE | |
| 82 | 2027183 | NIPPLE, 1/4 CLOSE | 3 |
| 83 | 0558080 | SPACER AIR RESERVOIR BRACKET | 6 |
| 84 | 2023307 | ELBOW, 3/8 MPT X 1/2 TUBE | 2 |
| 85 | 2023927 | TEE, MPT X 3/8 TUBE X 5/8 TUBE | |
| 86 | 2023232 | COUPLING, ANCHOR | 2 |
| 87 | 2008209 | COUPLING, PIPE | 2 |
| 88 | 0605188 | ELBOW, REDUCING STREET, 1/4 X 1/8 PIPE | 3 |
| 89 | 0949388 | COUPLING, KWIK, CONNECT 1/4 TUBE X 1/8 PIPE | 5 |
| 90 | 0559047 | TEE, MALE BRANCH, 1/4 PIPE | 2 |
| 91 | 0969873 | BOLT HEX, 3/8-16 X 6 LONG NC CAD. PLTD. | 6 |
| 92 | 0882795 | WASHER, LOCK 3/8 CAD. PLTD. | 6 |
| 93 | 2001451 | NUT, HEX NC CAD. PLTD. 3/8 16 | 6 |
| 94 | 0654962 | TUBING, HYTRON | 15'8" |

QUANTITY REQUIRED IS ONE UNLESS OTHERWISE SPECIFIED.

AIR BRAKE SYSTEM
MODEL 3502 (35')

| KEY NO. | PART NO. | DESCRIPTION | QTY REQ'D |
|---------|----------|--|-----------|
| 95 | 0962183 | FILTER, AIR, RIDEWELL SUSPENSION | |
| 96 | 0961649 | BRACKET, MOUNTING LEVEL VALVES | 6 |
| 98 | 0949370 | ADAPTER, BULLHEAD 1/8 PIPE X 1 1/2 LONG | 4 |
| 99 | 2227346 | FITTING, BARB | |
| 100 | 0559054 | CROSS, 1/4 FEMALE PIPE | 13 |
| 101 | 0982918 | INDICATOR, LOW PRESSURE, 30 PSI | 4 |
| 102 | 0982280 | VALVE, RELAY PILOT CONTROL | |
| 103 | 0982272 | TEE, 1/8 MPT X 1/4 TUBE X 1/4 TUBE | 2 |
| 104 | 2227338 | VALVE, AIR | |
| 105 | 2023422 | ELBOW, 3/8 MPT X 5/8 TUBE | |
| 106 | 2008050 | BUSHING, BRASS | 6 |
| 109 | 2027225 | ELBOW, 1/8 STREET | |
| 110 | 0948919 | TEE, 1/4 FPT X 3/8 MPT X 1/2 TUBE | |
| 111 | 1160407 | VALVE, PRESSURE REDUCING, RV-1, 30 PSI | |
| 112 | 1160464 | VALVE, QUICK RELEASE | |
| 113 | 1171099 | GAUGE, AIR PRESSURE, FRONT BRAKE, DUAL SCALE (SUPPLIED WITH INSTRUMENT PANEL) | |
| 114 | 1171107 | GAUGE, OIL PRESSURE, REAR BRAKE (SUPPLIED WITH INSTRUMENT PANEL) | 2 |
| 115 | 0663427 | PLUG, 1/2 SQUARE HEAD PIPE | |
| 116 | 1205806 | TEE, 3/8 MPT X 3/8 TUBE X 3/8 TUBE | |

QUANTITY REQUIRED IS ONE UNLESS OTHERWISE SPECIFIED.

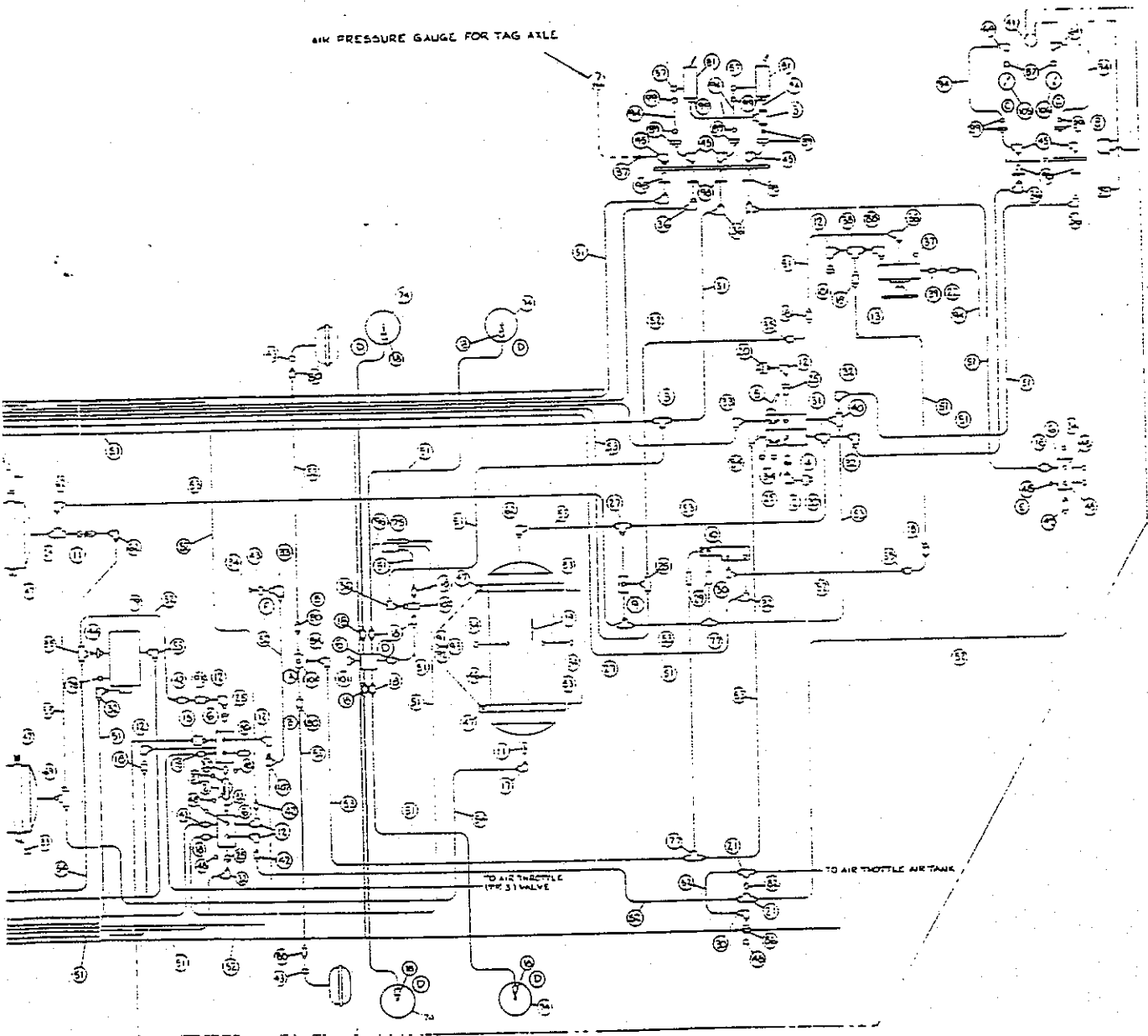


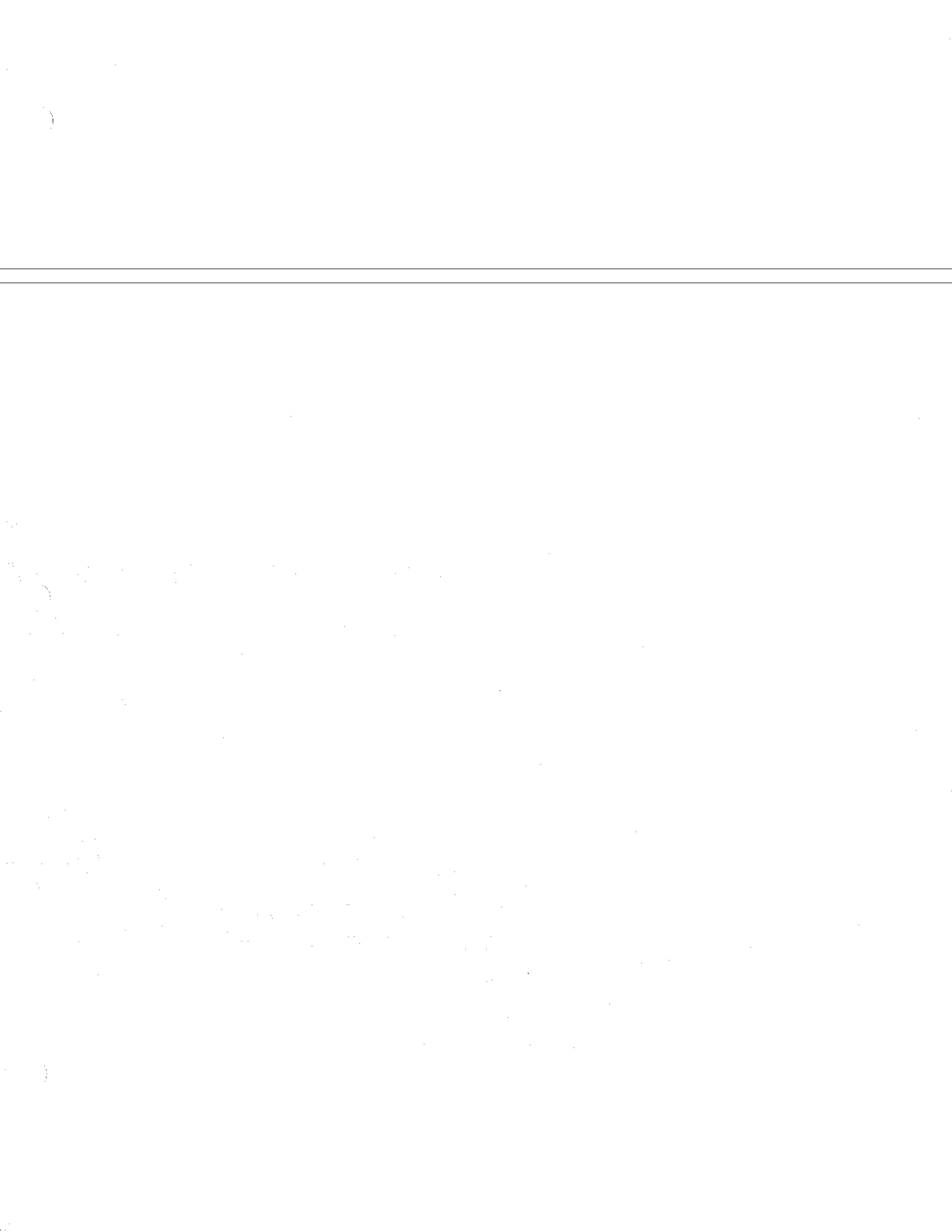
R BRAKE SYSTEM
(38') & MODEL 3903 (40')

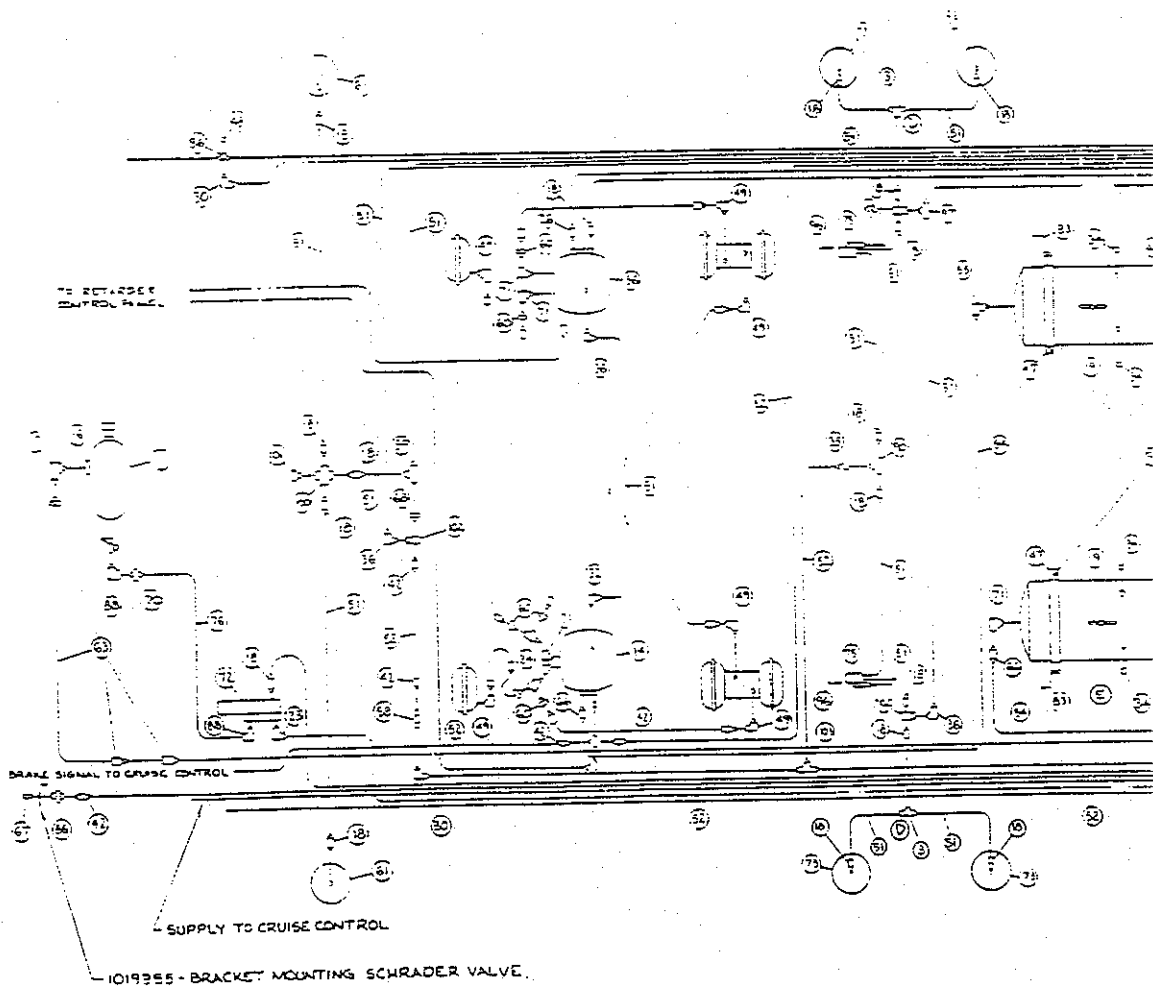
DR 7-29-85 BY *AS*
APP 7-24-85 BY *DM* 8004251

FRONT

© 1985 BLUE BIRD BODY COMPANY
ALL RIGHTS RESERVED







1019355 - BRACKET MOUNTING SCHRADER VALVE.

AIR BRAKE SYSTEM
MODEL 3706 (38') & MODEL 3903 (40')

| KEY NO. | PART NO. | DESCRIPTION | QTY REQ'D |
|---------|----------|---|-----------|
| 1 | | AIR COMPRESSOR, 12 CFM | |
| 2 | 0522508 | VALVE, PRESSURE PROTECTION, 65 PSI | |
| 3 | 2008381 | TEE, 1/4 | 4 |
| 4 | 0654533 | VALVE, DUAL BRAKE, E6 | |
| 5 | 1133347 | TREADLE ASSY., W/RUBBER COVER | |
| NI | 2137545 | COVER, RUBBER, TREADLE ASSY. | |
| 6 | 2023083 | FITTING, MANIFOLD | 4 |
| 8 | 2006187 | BUZZER, ESSEX | |
| 9 | 0654434 | VALVE, DOUBLE CHECK, 3/8 PIPE | |
| 10 | 0654426 | VALVE, SPRING BRAKE SR-1 | |
| 11 | 0654418 | VALVE, SINGLE CHECK, 1/2 PIPE | 2 |
| 12 | 2027233 | ELBOW, 1/4 STREET | 8 |
| 13 | 0900266 | VALVE, PP-1, 30 PSI | |
| 14 | 1066679 | VALVE, SERVICE BRAKE, RELAY, R-12 | |
| NI | 1149178 | BRACKET, MOUNTING, R-12 & R-14, RELAY VALVE | |
| NI | 0756783 | BRACKET, RELAY VALVE, MOUNTING, REAR AXLE | |
| NI | 2135721 | REPAIR KIT, SERVICE BRAKE RELAY | |
| 15 | 1145853 | INDICATOR, LOW PRESSURE, 66 PSI | |
| 16 | 2023091 | FITTING, DISCHARGE | |
| 17 | 2026706 | ELBOW, 1/2 MPT X 5/8 TUBE | 2 |
| 18 | 2023224 | CONNECTOR, 1/4 MPT X 1/4 TUBE | 35 |
| 19 | 1110188 | COCK, DRAIN, RESERVOIR | 3 |
| 20 | 0998740 | SWITCH, STOP LIGHT | 2 |
| 21 | 0756817 | TEE, 1/4 FPT X 3/8 TUBE X 3/8 TUBE | 2 |
| 22 | 2023570 | CONNECTOR, 1/8 MPT X 1/4 TUBE | |
| 23 | 2026979 | ELBOW, 1/8 MPT X 1/4 IF | |
| 24 | 0654350 | TEE, STREET, 1/2 PIPE | 3 |
| 25 | 2027134 | BUSHING, PIPE, 3/8 X 1/4 | 4 |
| 26 | 2023380 | CONNECTOR, 1/2 MPT X 1/2 TUBE | |
| 27 | 0556878 | TEE, 3/8 MPT X 1/2 TUBE X 1/2 TUBE | 2 |
| 28 | 0654335 | TEE, 3/8 MPT X 1/2 TUBE X 3/8 TUBE | |
| 29 | 2009330 | NIPPLE, PIPE, 1/4 X 2 | 2 |
| 30 | 2023190 | ELBOW, 1/4 MPT X 3/8 TUBE | 4 |
| 31 | 0654319 | TEE 1/4 FPT X 3/8 MPT X 1/2 TUBE | |
| 32 | 2023935 | ELBOW, 1/4 MPT X 1/4 TUBE | 7 |
| 33 | 2023265 | ELBOW, 3/8 MPT X 3/8 TUBE | 2 |
| 34 | 2009595 | PLUG, PIPE, 3/8 | 10 |
| 35 | 2023257 | CONNECTOR, 1/4 FPT X 3/8 TUBE | 3 |
| 36 | 2023786 | ELBOW, 1/8 MPT X 1/4 TUBE | 11 |
| 37 | 2027118 | PLUG, 1/8" PIPE | 3 |
| 38 | 0654277 | TEE, STREET, 1/4 PIPE | |
| 39 | 0654970 | INSERT, HYTRON TUBING | |
| 40 | 0948919 | TEE, 1/4 FPT X 3/8 MPT X 1/2 TUBE | |
| 41 | 2006807 | LIGHT, PILOT, 17/32", RED LENS | |
| 42 | 2023182 | CONNECTOR, 1/4 MPT X 3/8 TUBE | 10 |
| 43 | 0758698 | COUPLING, ANCHOR | 3 |
| 44 | 2023950 | PIPE, BUSHING, 1/2 X 3/4 | |
| 45 | 2027225 | ELBOW, 1/8 STREET | 6 |

QUANTITY REQUIRED IS ONE UNLESS OTHERWISE SPECIFIED.

AIR BRAKE SYSTEM
MODEL 3706 (38') & MODEL 3903 (40')

| KEY NO. | PART NO. | DESCRIPTION | QTY REQ'D |
|---------|----------|---|-----------|
| 46 | 0991513 | RESERVOIR, 9 1/2 X 27-1760 CU. IN. | 3 |
| 47 | 0850586 | BRACKET, MOUNTING, AIR RESERVOIR | 12 |
| 48 | 2023513 | PLUG, PIPE 1/4" | 11 |
| 49 | 2027241 | ELBOW, 3/8 STREET | 6 |
| 50 | 0839019 | VALVE, SAFETY, 1/4 MALE PIPE | |
| 51 | 2008431 | TUBING, COPPER 1/4 | |
| 52 | 2027381 | TUBING, 3/8 COPPER | |
| 53 | 2027399 | TUBING, 1/2 COPPER | |
| 54 | 2027407 | TUBE, 5/8, COPPER TUBING | |
| 55 | 0754879 | ELBOW, 1/2 MPT X 5/8 TUBE | 2 |
| 56 | 1066323 | VALVE, SPRING BRAKE, RELAY, R-14 | |
| NI | 1149178 | BRACKET, MOUNTING, R-12 & R-14, RELAY VALVE | |
| NI | 0756783 | BRACKET, RELAY VALVE, MOUNTING, REAR AXLE | |
| NI | 2135721 | REPAIR KIT, SPRING BRAKE RELAY | |
| 57 | 2227353 | FITTING "L" | 2 |
| 58 | 1160415 | VALVE, PRESSURE, REDUCING, RV-1, 50 PSI | |
| 59 | 0990747 | TEE, 1/8 MPT X 1/4 TUBE X 1/4 TUBE | |
| 60 | 2023539 | BUSHING, PIPE 1/2 MPT X 3/8 FPT | 6 |
| 61 | 0990671 | AIR SPRING, TAG SUSPENSION | |
| 62 | 2023349 | ELBOW, 1/2 MPT X 1/2 TUBE | 3 |
| 63 | 0810630 | HOSE ASSY., AIR COMPRESSOR DISCHARGE 24" | |
| 64 | 2008241 | ELBOW, MALE, 1/4 TUBE X 1/8 PIPE | 2 |
| 66 | 2023356 | CONNECTOR, 1/2 MPT C 5/8 TUBE | 2 |
| 67 | 0818609 | VALVE, SCHRADER, 1/4" MPT | |
| 68 | 2008050 | BUSHING, BRASS, 1/8 FPT X 1/4 MPT | |
| 69 | 2023901 | TEE, 1/2 MPT X 1/2 TUBE X 5/8 TUBE | |
| 70 | 1119700 | ADAPTER, SWIVEL, MALE PIPE | |
| 71 | 2008274 | ELBOW, 90 DEG. STREET | 5 |
| 72 | 0908160 | GOVERNOR, AIR COMPRESSOR, 100-120 PSI | |
| 73 | 0961250 | AIR SPRING, REAR SUSPENSION | |
| 74 | 0961425 | AIR SPRING, FRONT SUSPENSION | |
| 75 | 0871376 | VALVE, HEIGHT CONTROL | |
| 76 | 0870303 | HOSE ASSY. | |
| 77 | 2023505 | TEE, 1/4 FPT X 1/2 TUBE X 1/2 TUBE | 2 |
| 78 | 0417550 | PLUG, PIPE 1/2 | |
| 79 | 0801373 | AIR DRYER | |
| NI | 1137272 | BRACKET, MOUNTING, AIR DRYER | |
| NI | 2107753 | DESSICANT CARTRIDGE KIT, AIR DRYER | |
| 80 | 2023240 | CONNECTOR, 3/8 MPT X 3/8 TUBE | 4 |
| 81 | 2227338 | VALVE, AIR, TV-3S | 2 |
| 82 | 2027183 | NIPPLE, 1/4 CLOSE | 3 |
| 83 | 0558080 | SPACER, AIR RESERVOIR, BRACKET | 6 |
| 84 | 2023307 | ELBOW, 3/8 MPT X 1/2 TUBE | 2 |
| 85 | 2023927 | TEE, 1/2 MPT X 3/8 TUBE X 5/8 TUBE | |
| 86 | 2023232 | COUPLING, ANCHOR | 3 |
| 87 | 2008209 | COUPLING, PIPE | 2 |
| 88 | 0605188 | ELBOW, REDUCING STREET, 1/4 X 1/8 PIPE | 3 |
| 89 | 0949388 | COUPLING, KWIK CONNECT, 1/4 TUBE X 1/8 PIPE | 5 |

QUANTITY REQUIRED IS ONE UNLESS OTHERWISE SPECIFIED.

AIR BRAKE SYSTEM
MODEL 3706 (38') & MODEL 3903 (40')

| KEY NO. | PART NO. | DESCRIPTION | QTY REQ'D |
|---------|----------|--|-----------|
| 90 | 0559047 | TEE, MALE BRANCH, 1/4 PIPE | |
| 91 | 0969873 | BOLT, HEX, 3/8-16 X 6 LONG | 6 |
| 92 | 0882795 | WASHER, LOCK, 3/8 | 6 |
| 93 | 2001451 | NUT, HEX, 3/8-16 | 6 |
| 94 | 0654962 | TUBING, BLACK, 1/4 O.D. | 15'8" |
| 95 | 0962183 | FILTER, AIR | |
| 96 | 0961649 | BRACKET, MOUNTING, LEVEL VALVES | |
| 97 | 0982272 | TEE, 1/8 MPT X 1/4 TUBE X 1/4 TUBE | |
| 98 | 0949370 | ADAPTER, BULKHEAD, 1/8 PIPE X 1 1/2 LONG | 6 |
| 99 | 2227346 | FITTING, BARB | 4 |
| 100 | 0559054 | CROSS, 1/4 FEMALE PIPE | |
| 101 | 0982918 | INDICATOR, LOW PRESSURE, LP-3, 30 PSI | 3 |
| 102 | 0982280 | VALVE, RELAY PILOT CONTROL | 4 |
| 103 | 0654541 | TEE, 3/8 TUBE X 3/8 TUBE X 3/8 TUBE | |
| 104 | 1160464 | VALVE, QUICK RELEASE | |
| 105 | 1171099 | GAUGE, AIR PRESSURE, FRONT | |
| 106 | 1171107 | GAUGE, AIR PRESSURE, REAR | |
| 107 | 0754846 | TEE, 1/4 MPT X 3/8 TUBE X 3/8 TUBE | |

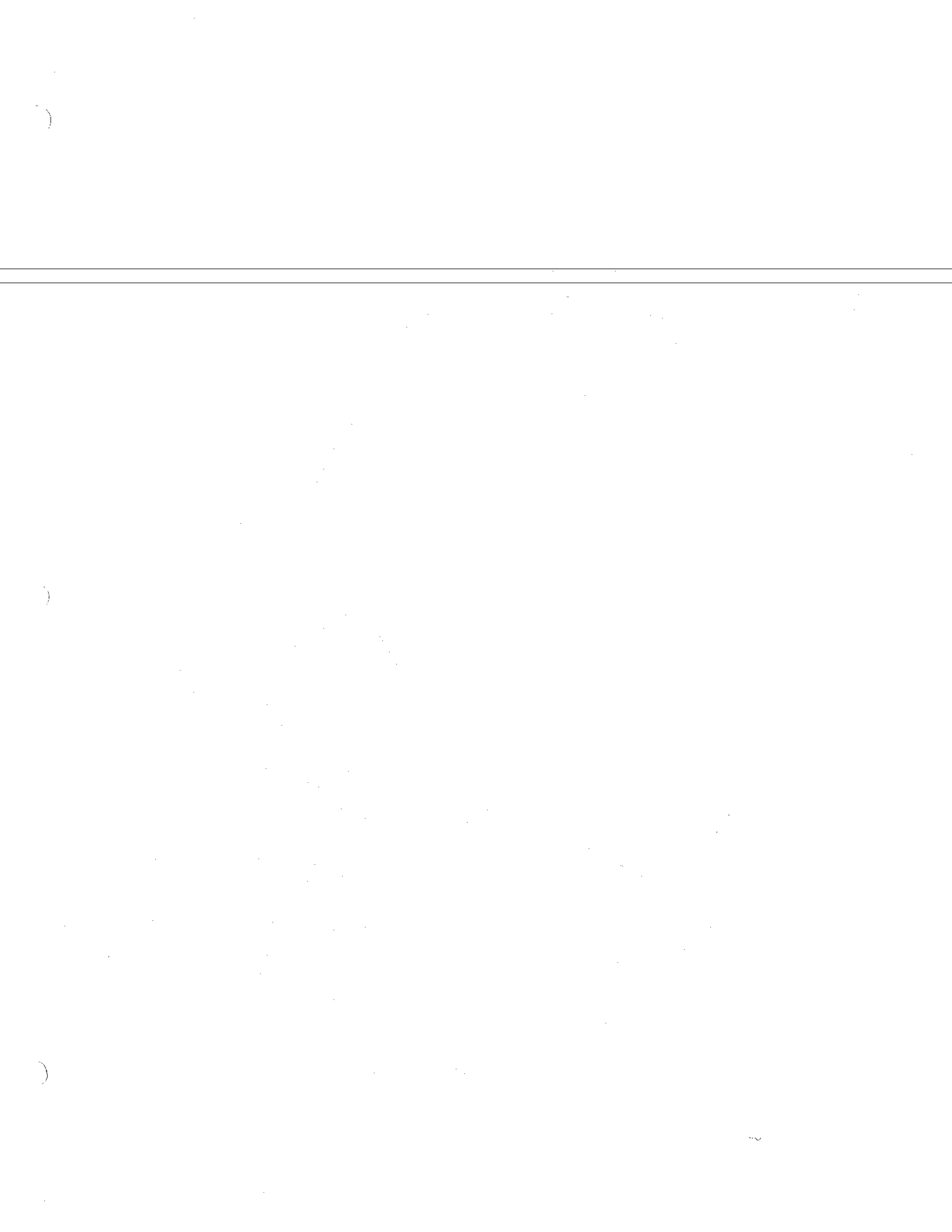
QUANTITY REQUIRED IS ONE UNLESS OTHERWISE SPECIFIED.

The first part of the document discusses the importance of maintaining accurate records of all transactions. It emphasizes that every entry should be supported by a valid receipt or invoice. This not only helps in tracking expenses but also ensures compliance with tax regulations.

In the second section, the author provides a detailed breakdown of the monthly budget. It includes categories for housing, utilities, food, and entertainment. The goal is to identify areas where spending can be reduced without affecting the quality of life.

The third section focuses on investment strategies. It suggests diversifying the portfolio to include stocks, bonds, and real estate. The author also mentions the importance of regular reviews and adjustments to the investment plan based on market conditions.

Finally, the document concludes with a summary of key takeaways. It reiterates the need for discipline and consistency in financial planning. The author encourages readers to take control of their finances and work towards their long-term goals.

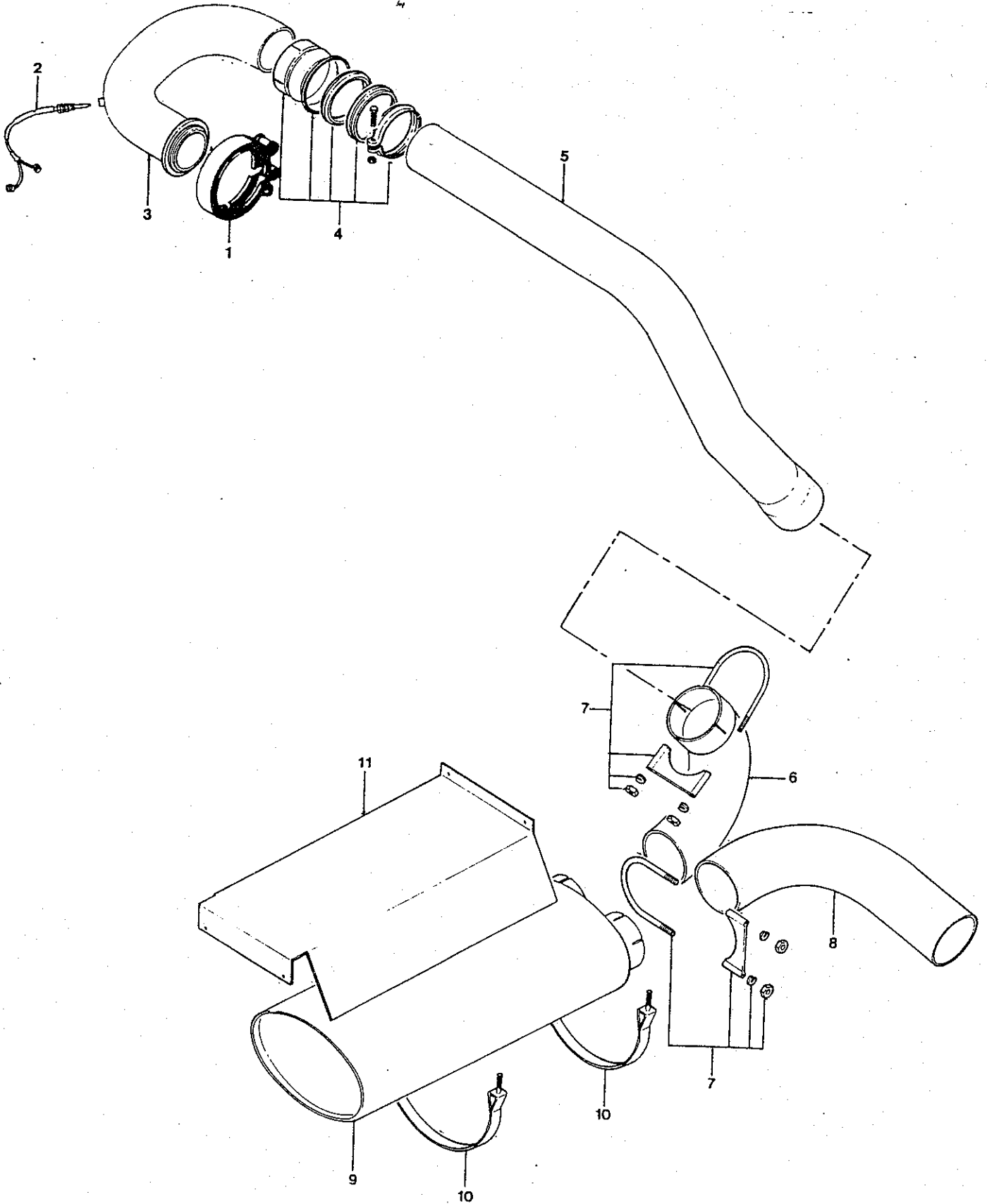


EXHAUST SYSTEM
GM 8V92TA & GM 6V92TA

| | |
|-----------------------|---------|
| DR. 8/1/85 BY J.E.T. | 8004384 |
| APP. 8-5-85 BY C.C.N. | |

FRONT

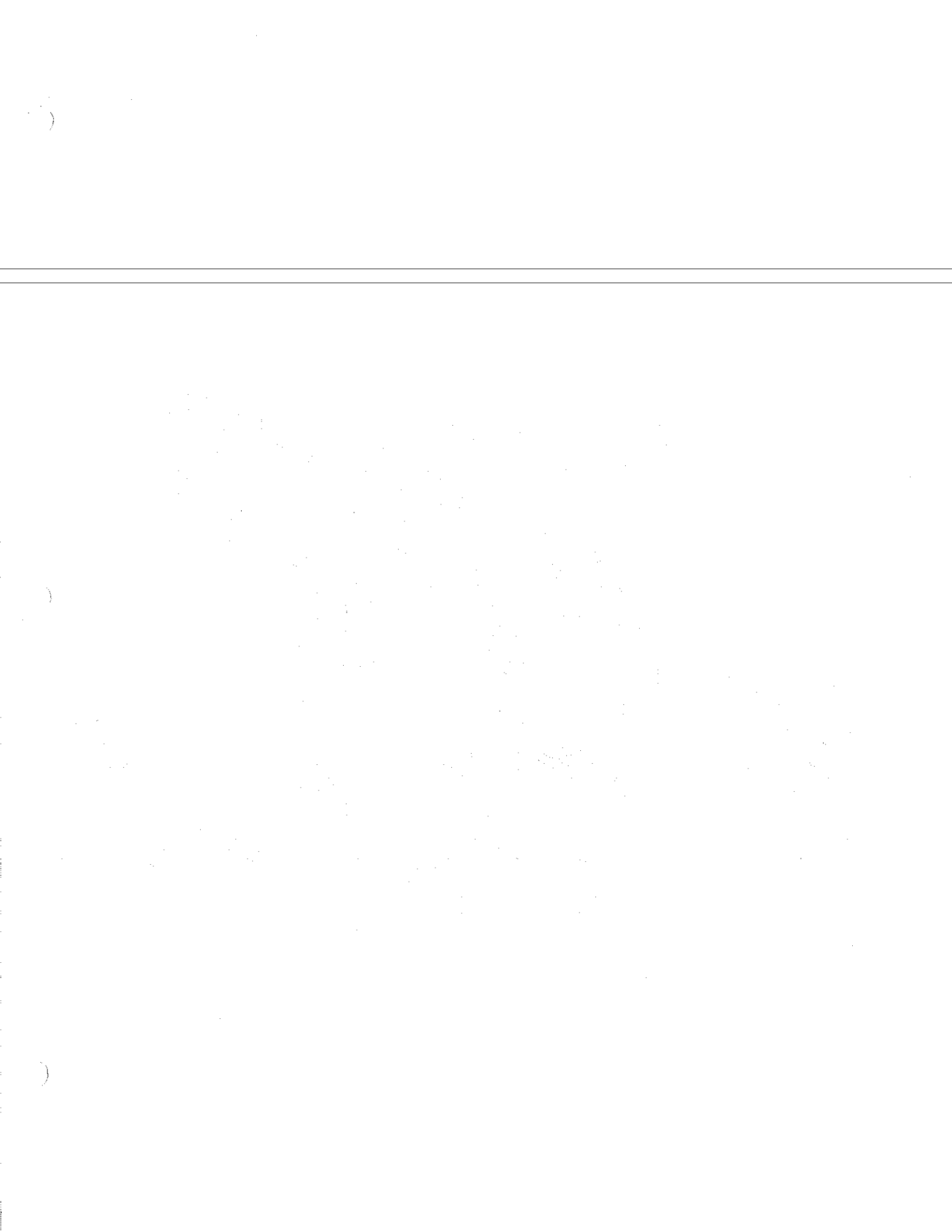
© 1985 BLUE BIRD BODY COMP. ALL RIGHTS RESERVED



EXHAUST SYSTEM
GM 8V92TA & GM 6V92TA

| KEY NO. | PART NO. | DESCRIPTION | QTY REQ'D |
|---------|----------|--|-----------|
| 1 | 1008648 | CLAMP, 5" TURBO | |
| 2 | 1086156 | THERMOCOUPLE, 4 TO 6 EXH. | |
| 3 | 1168988 | PIPE ASSY., EXHAUST, TURBO | |
| 4 | 0921601 | COUPLING, EXPANDO-FLEX JOINTS | |
| NI | 2138493 | GASKET ONLY, TURBO EXHAUST | |
| 5 | 1161900 | EXHAUST PIPE | |
| 6 | 1161918 | ELBOW, EXHAUST, 6" | |
| 7 | 1169572 | CLAMP, EXHAUST PIPE, 6" | |
| 8 | 1168921 | TAILPIPE | |
| 9 | 1169556 | MUFFLER, 6" IN & OUT | |
| 10 | 1097906 | STRAP ASSY., MUFFLER SUPPORT | |
| 11 | 1170851 | SHIELD, HEAT, MUFFLER | |
| | | OPTION 6007, HITCO INSULATION BLANKET 6V92TAB | |
| | 0993899 | CLAMP HOSE | 2 |
| | 1152214 | BLANKET, PIPE COVER, RH | |
| | 1152222 | BLANKET, PIPE COVER, LH | |
| | 1152230 | BLANKET, TEE COVER, HITCO | |
| | 1152248 | BLANKET, TURBO COVER | |
| | 1152255 | BLANKET, MANIFOLD COVER, RH | |
| | 1152263 | BLANKET, MANIFOLD COVER, LH | |
| | 1152271 | BLANKET, 6" | 3 |
| | 1152289 | BLANKET, 12" | 2 |
| | 1152297 | BLANKET, 24" | |
| | 1152305 | BLANKET, 90 DEG. ELBOW | 4 |
| | | OPTION 6008-01, HITCO INSULATION BLANKET 8V92THB | |
| | 1152214 | BLANKET, PIPE COVER, RH | |
| | 1152222 | BLANKET, PIPE COVER, LH | |
| | 1152230 | BLANKET, TEE COVER | |
| | 1156033 | BLANKET, TURBO | |
| | 1156041 | BLANKET, MANIFOLD, RH, HITCO | |
| | 1156058 | BLANKET, MANIFOLD, LH, HITCO | |
| | 1166784 | BLANKET, 5 DIA. | |
| | 1166792 | BLANKET, 6 DIA. | |
| | 1234319 | BLANKET, FLAT WRAP | |
| | 1234327 | BLANKET, ELBOW, TRANSITION | |

QUANTITY REQUIRED IS ONE UNLESS OTHERWISE SPECIFIED.

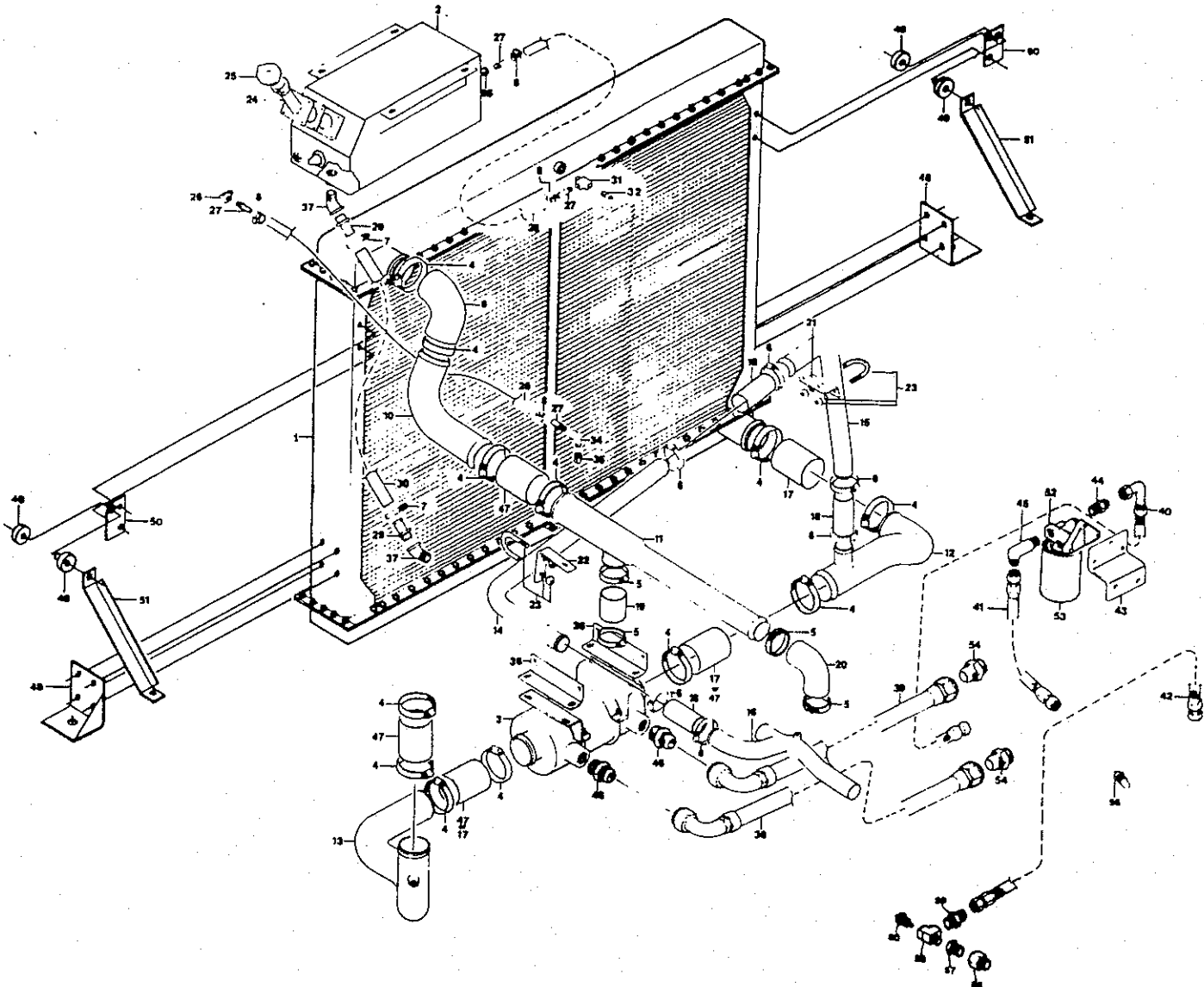


DR. 8-6-85 BY LAD
APP. 8-6-85 BY CCN 8004467

FRONT

© 1985 BLUE BIRD BODY COMP
ALL RIGHTS RESERVED

COOLING SYSTEM ENGINE AND TRANSMISSION GM 6V92TA



COOLING SYSTEM
ENGINE AND TRANSMISSION
GM 6V92TA

| KEY NO. | PART NO. | DESCRIPTION | QTY REQ'D |
|---------|----------|--|-----------|
| 1 | 1201292 | RADIATOR, G & O, X02526-2 | |
| NI | 1088707 | FAN, ENGINE COMPT., VENTILATOR | |
| NI | 1098672 | THERMOSTAT, VENTILATOR FAN | |
| 2 | 1215755 | TANK ASSY., DEAERATION | |
| 3 | 1125103 | COOLER, TRANSMISSION, S.W. 3-11274 | |
| 4 | 1106871 | CLAMP, HOSE, LINES, 3", IDEAL | |
| 5 | 0964940 | CLAMP, HOSE, LINES, 2 1/2", IDEAL | |
| 6 | 1167709 | CLAMP, HOSE, LINED, 2" IDEAL | |
| 7 | 0870345 | CLAMP, HOSE, 1" IDEAL | |
| 8 | 0871582 | CLAMP, HOSE, 5310, 5/8" | |
| 9 | 1135045 | ELBOW, 90 DEG., 3" I.D. X 5 X 6 1/2 SILICON | |
| 10 | 1135037 | ELBOW, 3" O.D. 90 DEGREE TRANS COOLER | |
| 11 | 1158617 | CONNECTOR, RADIATOR, UPPER | |
| 12 | 1155555 | CONNECTOR ASSY., RADIATOR TO OIL COOLER | |
| 13 | 1170034 | CONNECTOR ASSY., OIL COOLER-ENGINE | |
| 14 | 1158088 | TUBE, UPPER, WATER BY-PASS | |
| 15 | 1158096 | TUBE, LOWER, WATER BY-PASS | |
| 16 | 1158070 | TUBE ASSY., WATER BY-PASS | |
| 17 | 0920611 | HOSE, RADIATOR, SILICON 3" I.D. | |
| 18 | 0870378 | HOSE, UPPER, RADIATOR 1 3/4 I.D. | |
| 19 | 0964932 | HOSE, RADIATOR, 2 1/4" | |
| 20 | 0980102 | ELBOW, SILICON, 90 DEG. 2 1/4 | |
| 21 | 1158104 | BRACKET, MOUNTING, TUBE, WATER BY-PASS FRONT | |
| 22 | 1158682 | BRACKET, MOUNTING, TUBE WATER BY-PASS REAR | |
| 23 | 1204403 | CLAMP, U-BOLT, 1 3/4 DIA. | |
| 24 | 1140417 | NECK ASSY., FILLER DEAERATION TANK | |
| 25 | 0522052 | CAP, RADIATOR, PRESSURE, 7PSI | |
| 26 | 2027233 | ELBOW, 116-B, 1/4 STREET, PT | |
| 27 | 0660118 | INSERT, KF 0804 PS, BARBED ST. | |
| 28 | 2027688 | HOSE, 1/2 I.D. X .92 O.D. MEDIUM HI PRESS | |
| 29 | 0315200 | ADAPTER, HEATER, 3/4 PIPE X 1 HOSE | |
| 30 | 1143866 | HOSE, HEATER, 1" I.D. SILICON | |
| 31 | 0654277 | TEE, STREET, 1/4 PIPE | |
| 32 | 0965509 | SENDER, LOW COOLANT LEVEL | |
| 33 | 1158120 | PLATE, ORIFICE, WATER BY-PASS | |
| 34 | 2009249 | ELBOW, STREET, 1/4, 90 DEG. | |
| 35 | 2009033 | BUSHING, PIPE, 1/4 X 3/8 | |
| 36 | 1155571 | ANGLE, MOUNTING, TRANS. OIL COOLER | |
| 37 | 2009272 | ELBOW, STREET, 3/4, 45 DEG. | |
| 38 | 1231448 | HOSE ASSY., OIL COOLER | |
| 39 | 1231430 | HOSE ASSY., OIL COOLER | |
| 40 | 1132554 | HOSE ASSY., 213R-12-JS12-90512-2 | |
| 41 | 1133826 | HOSE ASSY., 213R-12-JS12-25 | |
| 42 | 1133842 | HOSE ASSY., 213R-12-JS12-JS12-40 | |
| 43 | 1128594 | BRKT. ASSY., MOUNTING, OIL FILTER, TRANS. | |
| 44 | 0809608 | CONNECTOR, TRANS. COOLING | |
| 45 | 1042076 | ELBOW, 90 DEGREE 3/4 TUBE | |

QUANTITY REQUIRED IS ONE UNLESS OTHERWISE SPECIFIED.

COOLING SYSTEM
ENGINE AND TRANSMISSION
GM 6V92TA

| KEY NO. | PART NO. | DESCRIPTION | QTY REQ'D |
|---------|----------|--|-----------|
| 46 | 1128552 | CONNECTOR, PIPE, 37 DEG. FLARE | |
| 47 | 0920611 | HOSE, RADIATOR, SILICON 3" ID | |
| 48 | 1168798 | BRACKET ASSY., MOUNTING, RADIATOR | |
| 49 | 1106822 | ISOLATOR, 3/8 NEOPRENE | |
| 50 | 1168814 | PLATE, MOUNTING, STABILIZER, RADIATOR | |
| 51 | 1168822 | ANGLE, STABILIZER, RADIATOR | |
| 52 | 0998559 | BASE, FILTER, OIL EXTERNAL, AUTO TRANS. | |
| 53 | 0998542 | FILTER, OIL, EXT., AUTO TRANS. | |
| 54 | 1128560 | CONNECTOR, O-RING | |
| 55 | 1197920 | SENDER, OIL TEMP. TRANS W/RETARDER | |
| 56 | 0800664 | ADAPTER, 1 1/16-12 STRAIGHT TD X 3/4 C3269 X 12 X 12 | |
| 57 | 2023950 | BUSHING, 1/2 X 3/4 PIPE | |
| 58 | 0654350 | TEE, STREET, 1/2 PIPE 3750 X 8 | |
| 59 | 1169200 | ADAPTER, 1/2 MPT X 3/4 HOSE | |
| 60 | 1078781 | SENDER, TEMP. 1/2 PIPE | |
| NI | 1170059 | SHROUD ASSY., RADIATOR 6V-92T | |
| NI | 1135086 | SHIELD, ELBOW, WATER CONNECTOR | |

QUANTITY REQUIRED IS ONE UNLESS OTHERWISE SPECIFIED.

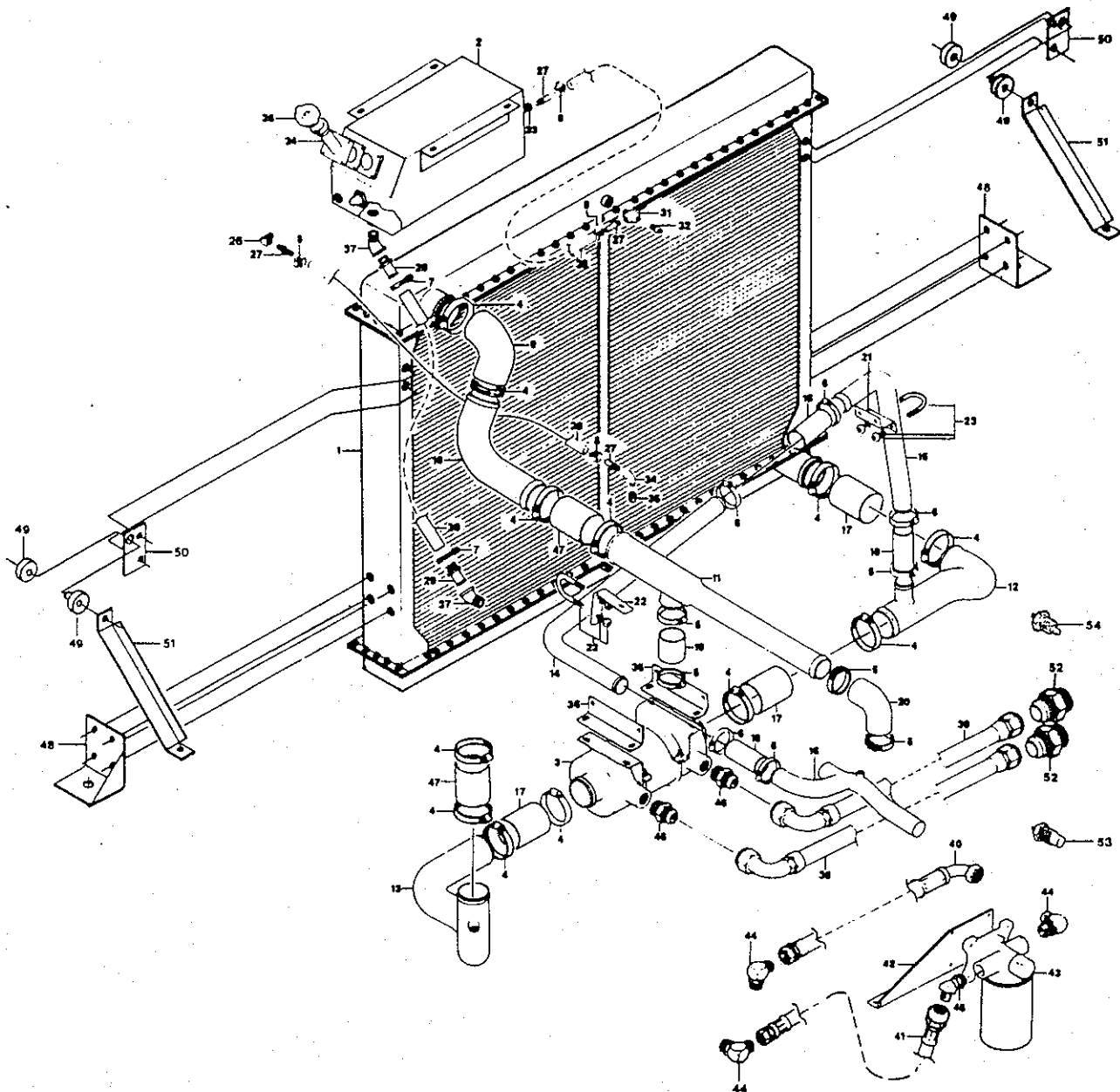
1)

1)

1)

COOLING SYSTEM ENGINE AND TRANSMISSION GM 8V92TA

DR. 8-5-85 BY LAD
APP. 8-6-85 BY CCW 8004459
FRONT
© 1985 BLUE BIRD BODY CO.
ALL RIGHTS RESERVED



COOLING SYSTEM
ENGINE AND TRANSMISSION
GM 8V92TA

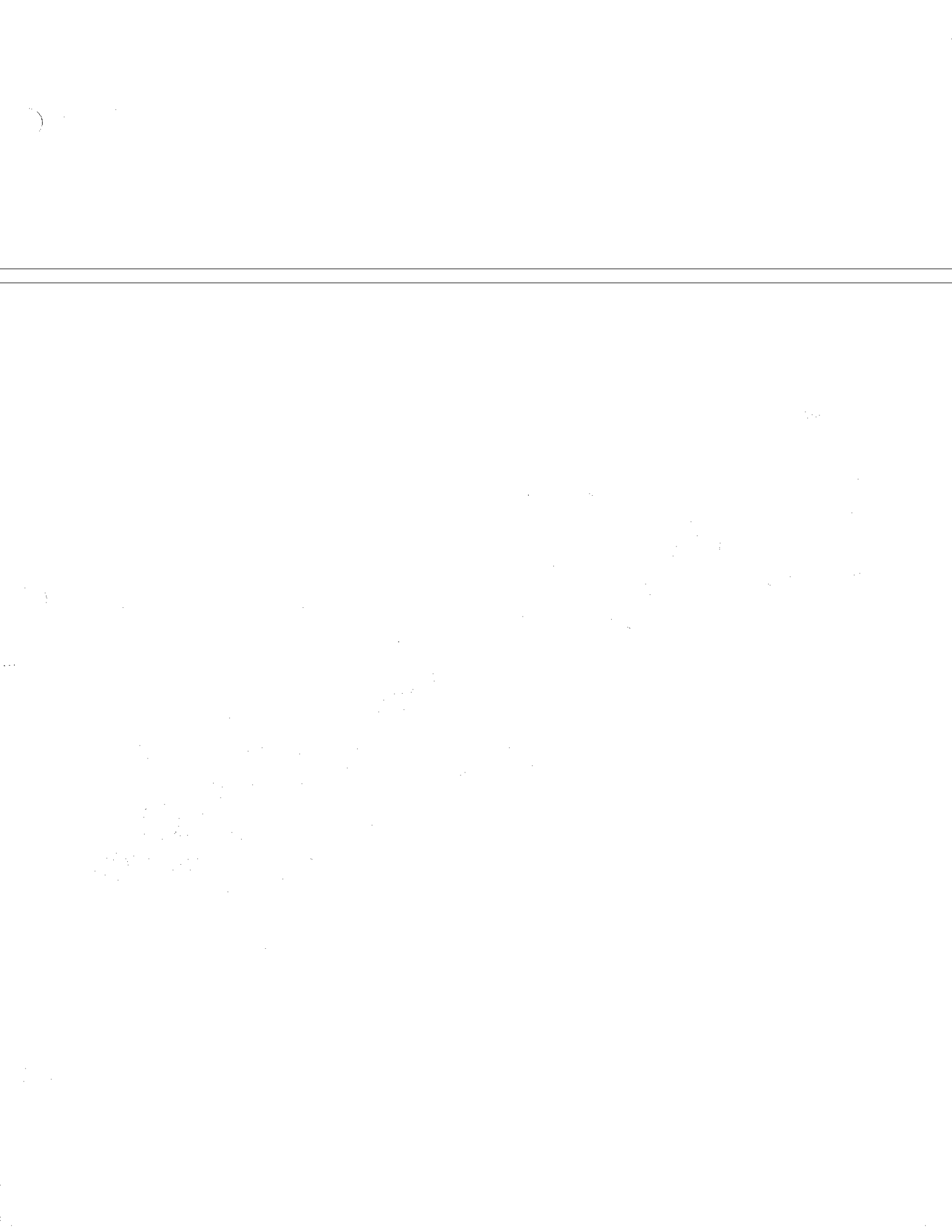
| KEY NO. | PART NO. | DESCRIPTION | QTY REQ'D |
|---------|----------|---|-----------|
| 1 | 1169093 | RADIATOR, G & O | |
| NI | 1088707 | FAN, ENGINE COMPT. VENTILATOR | |
| NI | 1098672 | THERMOSTAT, VENTILATOR FAN | |
| 2 | 1215755 | TANK ASSY., DEAERATION | |
| 3 | 1125103 | COOLER, TRANSMISSION | |
| 4 | 1106871 | CLAMP, HOSE, LINED, 3" | 12 |
| 5 | 0964940 | CLAMP, HOSE, LINED, 2 1/2" | 4 |
| 6 | 1167709 | CLAMP, HOSE, LINED, 2" | 6 |
| 7 | 0870345 | CLAMP, HOSE, 1" | 2 |
| 8 | 0871582 | CLAMP, HOSE, 5/8" | 4 |
| 9 | 1135045 | ELBOW, 90 DEG. | |
| 10 | 1135037 | ELBOW, 3" O.D., 90 DEG. | |
| 11 | 1158617 | CONNECTOR, RADIATOR, UPPER | |
| 12 | 1155555 | CONNECTOR ASSY., RADIATOR TO OIL COOLER | |
| 13 | 1155563 | CONNECTOR ASSY., OIL COOLER TO ENGINE | |
| 14 | 1158088 | TUBE, UPPER, WATER BY-PASS | |
| 15 | 1158096 | TUBE, LOWER, WATER BY-PASS | |
| 16 | 1158070 | TUBE ASSY., WATER BY-PASS | |
| 17 | 0920611 | HOSE, RADIATOR, SILICON, 3" I.D. | 3 |
| 18 | 0870378 | HOSE, UPPER, RADIATOR, 1 3/4 I.D., SILICON | 3 |
| 19 | 0964932 | HOSE, RADIATOR, 2 1/4" | |
| 20 | 0980102 | ELBOW, SILICON, 90 DEG., 2 1/4" | |
| 21 | 1158104 | BRACKET, MOUNTING, TUBE, WATER BY-PASS, FRONT | |
| 22 | 1158682 | BRACKET, MOUNTING, TUBE, WATER BY-PASS, REAR | |
| 23 | 1204403 | CLAMP, U-BOLT, 1 3/4 DIA. | 2 |
| 24 | 1140417 | NECK ASSY., FILLER, DEAERATION TANK | |
| 25 | 0522052 | CAP, RADIATOR, PRESSURE, 7 PSI | |
| 26 | 2027233 | ELBOW, 1/4 STREET | |
| 27 | 0660118 | INSERT, BARBED STRAIGHT | 4 |
| 28 | 2027688 | HOSE, 1/2 I.D. X .92 O.D., MEDIUM HIGH PRESSURE | 2 |
| 29 | 0315200 | ADAPTER, HEATER, 3/4 PIPE X 1 HOSE | 2 |
| 30 | 1143866 | HOSE, HEATER, 1" I.D., SILICON | |
| 31 | 0654277 | TEE, STREET, 1/4 PIPE | |
| 32 | 0965509 | SENDER, LOW COOLANT LEVEL | |
| 33 | 1158120 | PLATE, ORIFICE, WATER BY-PASS | |
| 34 | 2009249 | ELBOW, STREET, 1/4, 90 DEG. | |
| 35 | 2009033 | BUSHING, PIPE, 1/4 X 3/8 | 2 |
| 36 | 1155571 | ANGLE, MOUNTING, TRANSMISSION OIL COOLER | 2 |
| 37 | 2009272 | ELBOW, STREET, 3/4, 45 DEG. | 2 |
| 38 | 1231448 | HOSE ASSY., OIL COOLER | |
| 39 | 1231430 | HOSE ASSY., OIL COOLER | |
| 40 | 1124874 | HOSE ASSY., 1" WIRE BRAID | |
| 41 | 1124882 | HOSE ASSY., 1" WIRE BRAID | |
| 42 | 1125111 | BRACKET, MOUNTING, TRANSMISSION FLUID FILTER | |
| 43 | 1124916 | FILTER ASSY., FLUID, TRANSMISSION, HT-747 | |
| NI | 3831302 | ELEMENT, TRANS FILTER | |
| 44 | 1056076 | ADAPTER, 37 DEG., STEEL FLARE | 3 |

QUANTITY REQUIRED IS ONE UNLESS OTHERWISE SPECIFIED.

COOLING SYSTEM
ENGINE AND TRANSMISSION
GM 8V92TA

| KEY NO. | PART NO. | DESCRIPTION | QTY REQ'D |
|---------|----------|--|-----------|
| 45 | 1056076 | ADAPTER, 45 DEG. ADJ. ELBOW | |
| 46 | 1128552 | CONNECTOR, PIPE, 37 DEG. FLARE | 2 |
| 47 | 0920611 | HOSE, RADIATOR, SILICON, 3" I.D. | 2 |
| 48 | 1168798 | BRACKET ASSY., MOUNTING, RADIATOR | 2 |
| 49 | 1106822 | ISOLATOR, 3/8 NEOPRENE | 2 |
| 50 | 1168814 | PLATE, MOUNTING, STABILIZER, RADIATOR | 2 |
| 51 | 1168822 | ANGLE, STABILIZER, RADIATOR | 2 |
| 52 | 1128560 | CONNECTOR, O-RING | 2 |
| NI | 1168715 | SHROUD ASSY., RADIATOR | |
| 53 | 1197920 | SENDER, OIL TEMPERATURE. TRANS W/RETARDER AC | |
| 54 | 1078781 | SENDER, TEMPERATURE, 1/2 PIPE | |

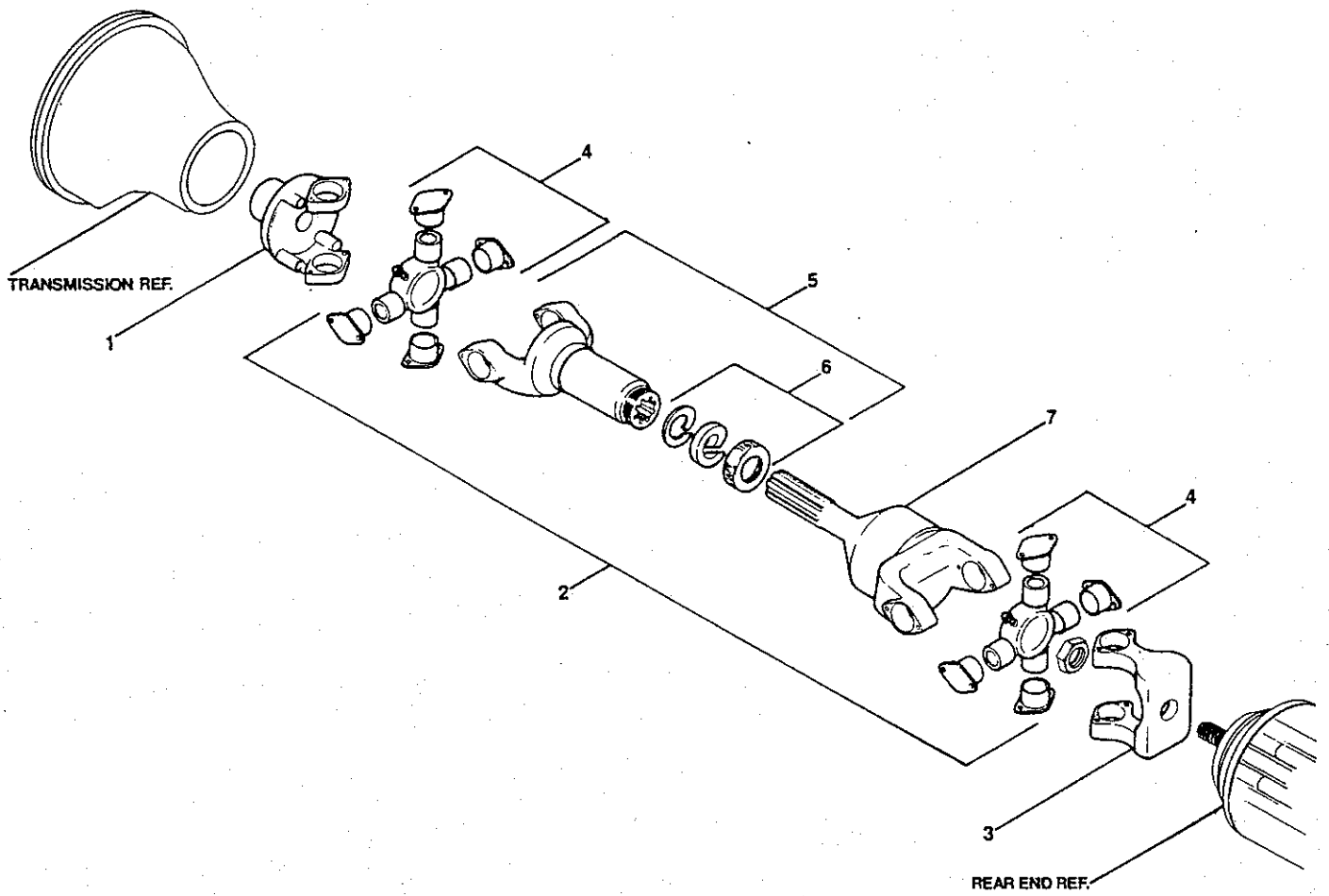
QUANTITY REQUIRED IS ONE UNLESS OTHERWISE SPECIFIED.



DRIVELINE
GM 6V92TA & GM 8V92TA

| | | |
|-------------|-----------|---------|
| DR. 7/28/82 | BY J.P.W. | 8000663 |
| APP. | BY | |

© 1983 BLUE BIRD BODY COMPANY
ALL RIGHTS RESERVED



DRIVELINE
GM 6V92TA & GM 8V92TA

| KEY NO. | PART NO. | DESCRIPTION | QTY REQ'D |
|---------|----------|---------------------------------------|-----------|
| 1 | | END YOKE | |
| | 1132067 | 6V92 | |
| | 1149202 | 8V92 | |
| 2 | | DRIVESHAFT | |
| | 1130913 | 212 W.B., 6V92 | |
| | 1206473 | 233 W.B., 6V92 | |
| | 1206481 | 240 W.B., 6V92 | |
| | 1239839 | 233 W.B., 8V92 | |
| | 1239847 | 240 W.B., 8V92 | |
| 3 | | YOKE, AXLE END | |
| | 2139848 | 6V92 | |
| | 2139855 | 8V92 | |
| 4 | | KIT, CROSS BEARING | |
| | 1121565 | 6V92 | |
| | 1160803 | 8V92 | |
| 5 | | SLEEVE, SLIP YOKE (INCLUDES ITEM 6) | |
| | 1121573 | 6V92 | |
| | 1160811 | 8V92 | |
| 6 | 1160829 | KIT, DUST CAP & WASHER | |
| NI | 0992610 | GUARD, DRIVE SHAFT (233" & 240" W.B.) | |
| NI | 2027431 | FITTING, GREASE 1/8 MPT | |

QUANTITY REQUIRED IS ONE UNLESS OTHERWISE SPECIFIED.

ENGINE TRIM
GM 6V92TA

| KEY NO. | PART NO. | DESCRIPTION | QTY REQ'D |
|---------|----------|--|-----------|
| | | <u>AIR INTAKE PARTS</u> | |
| | 0920132 | ELBOW, RUBBER, 90 DEGREE | 2 |
| | 0993782 | TUBE ASSY., INLET, AIR | |
| | 0993808 | HOSE, HUMP, RUBBER, 7" TO 5 1/2" | |
| | 1022102 | INDICATOR, SERVICE, AIR CLEANER | |
| | 1070721 | AIR CLEANER ASSY., DONALDSON | |
| | 1107416 | CLAMP, MOUNTING, AIR CLEANER | 2 |
| | 1145846 | CHANNEL, AIR CLEANER SUPPORT | 2 |
| | 3734191 | ELEMENT, AIR CLEANER | |
| | | <u>ENGINE MOUNTING PARTS</u> | |
| | 0920850 | BRACKET ASSY., FRONT ENGINE MOUNTING, RH | |
| | 0920868 | BRACKET ASSY., FRONT ENGINE MOUNTING, LH | |
| | 0920991 | INSULATOR, ENG. MOUNTING | 4 |
| | 1080316 | WASHER, FRONT ENGINE MOUNTING | 2 |
| | 1154863 | CROSSMEMBER ASSY., REAR ENGINE MOUNT | |
| | 1205442 | CROSSMEMBER ASSY., FRONT ENGINE MOUNTING BRACKET | |
| | 1205616 | BRACKET ASSY., FRONT ENGINE MOUNTING TO FRAME | 2 |
| | | <u>TRANSMISSION INSTALLATION PARTS</u> | |
| | 0983767 | INSULATOR, TRANS MOUNTING | 2 |
| | 0983999 | BRACKET ASSY., MOUNTING TRANS/SUPPORT | 2 |
| | 0992628 | TUBE ASSY., TRANSMISSION DIPSTICK | |
| | 1130947 | SUPPORT ASSY., TRANS TAIL | |
| | 1130954 | BRACKET ASSY., MOUNTING, TRANS SUPPORT | 2 |
| | 1153113 | DIPSTICK ASSY., TRANSMISSION | |
| | | <u>FREON COMPRESSOR & INSTALLATION PARTS</u> | |
| | 0893453 | COMPRESSOR, FREON YORK | |
| | 0921775 | KIT, ADAPTER, FREON COMPRESSOR | |
| | 0921908 | BELT, MATCHED SET OF 2, 38 3/4 X 1/2 | |
| | 1013713 | CLUTCH ASSY., FREON COMPRESSOR | |
| | | <u>ALTERNATOR & ASSOCIATED PARTS</u> | |
| | 1111483 | PULLEY, ALTERNATOR 2.76 DIA. | |
| | 1142280 | ALTERNATOR, MOTOROLA | |
| | | <u>AIR COMPRESSOR ASSOCIATED PARTS</u> | |
| | 0810630 | HOSE ASSY., AIR COMPRESSOR DISCHARGE 24" LONG | |
| | 0908160 | GOVERNOR, AIR COMPRESSOR | |
| | | <u>STARTER MOTOR & ASSOCIATED PARTS</u> | |
| | 0809103 | SWITCH, MAGNETIC STARTER | 2 |
| | 1144286 | GASKET, STARTER, MOTOR | |
| | 1204528 | STARTER, MOTOR 12V, LEECE NEVILLE | |
| | 1031806 | HEATER, ENGINE BLOCK, 110 VOLT, 1500 WATT | |

QUANTITY REQUIRED IS ONE UNLESS OTHERWISE SPECIFIED.

ENGINE TRIM
GM 6V92TA

| KEY NO. | PART NO. | DESCRIPTION | QTY REQ'D |
|---------|----------|---|-----------|
| | | <u>BELTS</u> | |
| | 0992388 | BELT SET, ALTERNATOR | 1 PR. |
| | 0921908 | BELT SET, AIR CONDITIONER | 1 PR. |
| | | <u>HOSES</u> | |
| | 0920611 | HOSE, RADIATOR, SILICON 3" ID (4 PCS. CUT APPROX. 7") | 3 FT. |
| | 0964932 | HOSE, RADIATOR, SILICON 2 1/4" ID (1 PC. CUT APPROX. 7") | 1 FT. |
| | 0980102 | ELBOW, RADIATOR HOSE, SILICON 90 DEG. 2 1/4" ID | 2 |
| | | <u>FILTERS</u> | |
| | 3734209 | FILTER, ENGINE OIL | |
| | 3734175 | FILTER, FUEL, SECONDARY | |
| | 3734191 | FILTER, AIR CLEANER | |
| | 3734217 | FILTER, TRANS., INTERNAL | |
| | 0998542 | FILTER, TRANS., EXTERNAL | |
| | 3831310 | FILTER, RACOR, 1000 FG | |
| | 2122026 | FILTER, HYD. FAN SYSTEM | |
| | 2138246 | FILTER, P/S RESERVOIR | 3 |

QUANTITY REQUIRED IS ONE UNLESS OTHERWISE SPECIFIED.

ENGINE TRIM
GM 8V92TA

| KEY NO. | PART NO. | DESCRIPTION | QTY REQ'D |
|---------|----------|--|-----------|
| | | <u>AIR INTAKE PARTS</u> | |
| | 0822536 | COUPLING, REDUCE | |
| | 0920132 | ELBOW, RUBBER, 90 DEGREE, 7" | |
| | 0969741 | CLAMP, HOSE, 2-7 | 3 |
| | 0993782 | TUBE ASSY., INLET, AIR | |
| | 0993808 | HOSE, HUMP, RUBBER, 7" TO 5 1/2" | |
| | 0993899 | CLAMP, HOSE, 2-8.5 | 3 |
| | 1022102 | INDICATOR, SERVICE, AIR CLEANER | |
| | 1070721 | AIR CLEANER ASSY., DONALDSON ECG-11-2031 | |
| | 1107416 | CLAMP, MOUNTING, AIR CLEANER | 2 |
| | 1145846 | CHANNEL, AIR CLEANER SUPPORT | 2 |
| | 3734191 | ELEMENT, AIR CLEANER | |
| | | <u>ENGINE MOUNTING PARTS</u> | |
| | 1080316 | WASHER, FRONT ENGINE MOUNTING | 4 |
| | 1168954 | CROSSMEMBER, REAR ENGINE MOUNTING | |
| | 1168962 | ISOLATOR, FRONT ENGINE MOUNT | 2 |
| | 1168970 | ISOLATOR, REAR ENGINE MOUNT | 2 |
| | 1168996 | MOUNT ASSY., ENGINE, RH | |
| | 1169002 | MOUNT ASSY., ENGINE, LH | |
| | 1169010 | MOUNT ASSY., ENGINE, FRAME | 2 |
| | 1170075 | WASHER, SNUBBING, FRONT ENGINE MOUNT | 2 |
| | | <u>TRANSMISSION INSTALLATION PARTS</u> | |
| | 0983767 | INSULATOR, TRANS MOUNTING | 2 |
| | 0983999 | BRACKET ASSY., MOUNTING TRANS/SUPPORT | 2 |
| | 1130947 | SUPPORT ASSY., TRANS. TAIL | |
| | 1162064 | TUBE ASSY., TRANS FILLER | |
| | 1169564 | DIPSTICK, TRANSMISSION | |
| | 1226661 | GUARD, TRANSMISSION OIL PAN | |
| | | <u>FREON COMPRESSOR & INSTALLATION PARTS</u> | |
| | 0893453 | COMPRESSOR, FREON | |
| | 0921775 | KIT, ADAPTER, FREON COMPRESSOR | |
| | 0921908 | BELT, MATCHED SET OF 2, 38 3/4 X 1/2 | |
| | 1013713 | CLUTCH ASSY., FREON COMPRESSOR | |
| | | <u>ALTERNATOR & ASSOCIATED PARTS</u> | |
| | 1111483 | PULLEY, ALTERNATOR 2.76 DIA. | |
| | 1142280 | ALTERNATOR, MOTOROLA | |
| | | <u>STARTER MOTOR & ASSOCIATED PARTS</u> | |
| | 0809103 | SWITCH, MAGNETIC STARTER | 2 |
| | 1204536 | STARTER MOTOR, 12V | |
| | 1031806 | HEATER, ENGINE BLOCK, 110 VOLT, 1500 WATT | |

QUANTITY REQUIRED IS ONE UNLESS OTHERWISE SPECIFIED.

ENGINE TRIM
GM 8V92TA

| KEY NO. | PART NO. | DESCRIPTION | QTY REQ'D |
|---------|----------|---|-----------|
| | | <u>BELTS</u> | |
| | 0992388 | BELT SET, ALTERNATOR | 1 PR. |
| | 0921908 | BELT SET, AIR CONDITIONER | 1 PR. |
| | | <u>HOSES</u> | |
| | 0920611 | HOSE, RADIATOR, SILICON 3" ID (4 PCS. CUT APPROX. 7") | 3 FT. |
| | 0964932 | HOSE, RADIATOR, SILICON 2 1/4" ID (1 PC. CUT APPROX. 7") | 1 FT. |
| | 0980102 | ELBOW, RADIATOR HOSE, SILICON 90 DEG. 2 1/4" ID | 2 |
| | | <u>FILTERS</u> | |
| | 3734209 | FILTER, ENGINE OIL | |
| | 3734175 | FILTER, FUEL, SECONDARY - | |
| | 3734191 | FILTER, AIR CLEANER | |
| | 2159499 | FILTER, TRANS., INTERNAL | |
| | 3831302 | FILTER, TRANS., EXTERNAL | |
| | 3831310 | FILTER, RACOR, 1000 FG | |
| | 2122026 | FILTER, HYD. FAN SYSTEM | |
| | 2138246 | FILTER, P/S RESERVOIR | 3 |

QUANTITY REQUIRED IS ONE UNLESS OTHERWISE SPECIFIED.

)

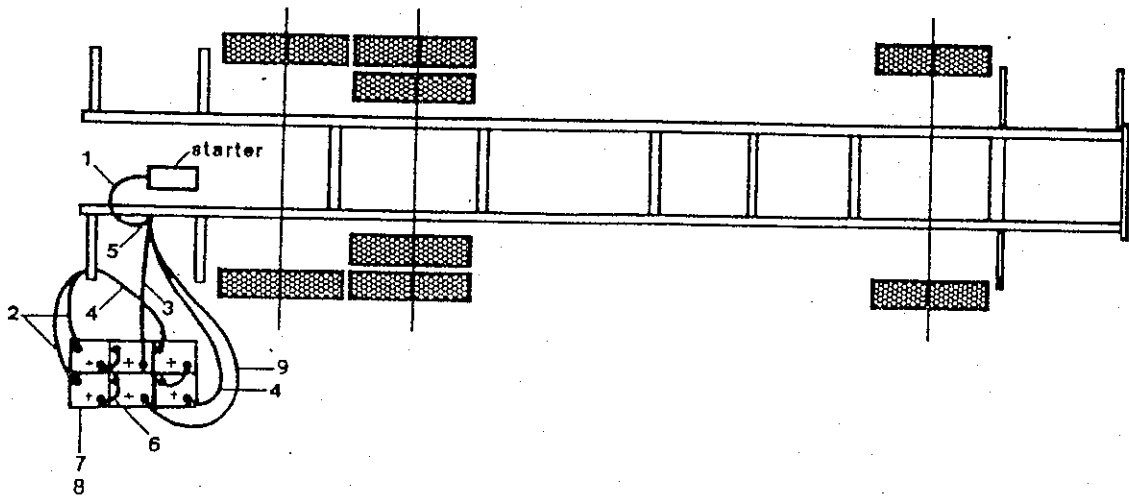
)

)

BATTERIES AND BATTERY CABLES

| | |
|--------------------|---------|
| DR. 7-22-85 BY JLR | 8004160 |
| APP. 7-22-85 BY DK | |

FRONT © 1985 BLUE BIRD BODY COMP. ALL RIGHTS RESERVED



WLPP - GM 8V-92T, GM 6V-92T

BATTERIES AND BATTERY CABLES

| KEY NO. | PART NO. | DESCRIPTION | QTY REQ'D |
|---------|----------|---|-----------|
| 1 | 0997536 | CABLE ASSY., STARTER SOLENOID TO FRAME RAIL | |
| 2 | 0359117 | STRAP, BATTERY GROUND | |
| 3 | 1142470 | CABLE ASSY., BATTERY, 14" | |
| 4 | 1171735 | CABLE ASSY., BATTERY, 30" | |
| 5 | 0553131 | TERMINAL, BATTERY CABLE JUNCTION | |
| 6 | 0359109 | CABLE ASSY., BATTERY | 3 |
| 7 | 0621342 | BATTERY, ESB EE-IV | 6 |
| 8 | 1141092 | ANGLE, BATTERY CLAMPING | |
| 9 | 1171727 | CABLE ASSY., BATTERY, 21" | |

QUANTITY REQUIRED IS ONE UNLESS OTHERWISE SPECIFIED.

10

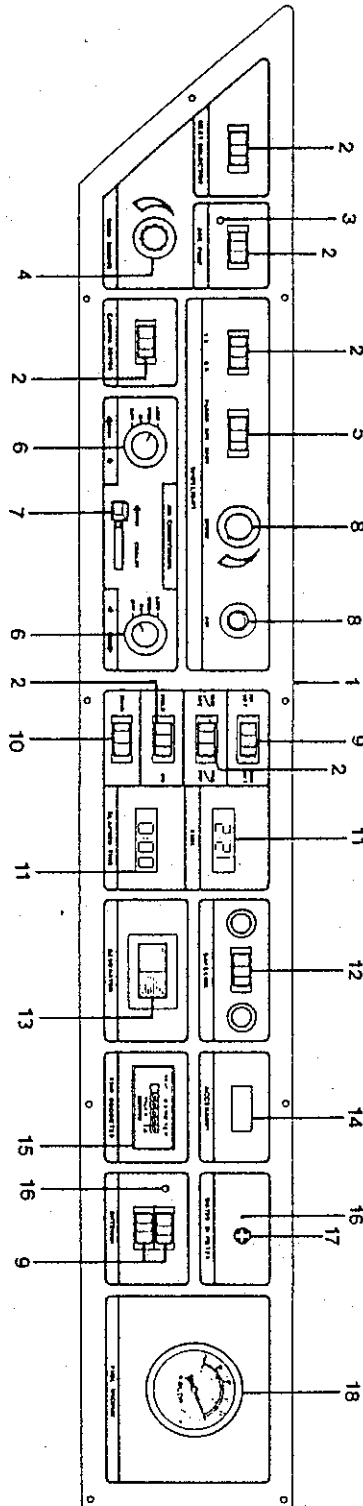
11
12
13
14
15
16
17
18
19
20
21
22
23
24
25
26
27
28
29
30
31
32
33
34
35
36
37
38
39
40
41
42
43
44
45
46
47
48
49
50
51
52
53
54
55
56
57
58
59
60
61
62
63
64
65
66
67
68
69
70
71
72
73
74
75
76
77
78
79
80
81
82
83
84
85
86
87
88
89
90
91
92
93
94
95
96
97
98
99
100

101

INSTRUMENTS LEFT HAND, OVERHEAD

| | |
|--------------------|---------|
| DR. 7-30-85 BY DBW | 8004335 |
| APP. | BY |

FRONT © 1985 BLUE BIRD BODY COMPANY ALL RIGHTS RESERVED



INSTRUMENTS
LEFT HAND, OVERHEAD

| KEY NO. | PART NO. | DESCRIPTION | QTY REQ'D |
|---------|----------|----------------------------------|-----------|
| 1 | 3760964 | DECAL ONLY | |
| 2 | 2268522 | SWITCH, ON/OFF | |
| 3 | | LIGHT | |
| | 2271484 | BLUE | |
| | 3826914 | RED | |
| 4 | 3761632 | SWITCH, RHEOSTAT | |
| NI | 2273928 | KNOB | |
| 5 | 2268548 | SWITCH, ON/OFF/ON | |
| 6 | 3756095 | SWITCH, AC | |
| NI | 3758521 | KNOB, AC | |
| 7 | 3767613 | THERMOSTAT | |
| NI | 3767621 | KNOB, THERMOSTAT | |
| 8 | 3756012 | SWITCH ASSY. | |
| NI | 2105351 | SWITCH, ROTATING, SPOTLIGHT | |
| NI | 2105476 | SWITCH, SPEED CONTROL, SPOTLIGHT | |
| 9 | 2268563 | SWITCH, MOMENTARY ON/ON | |
| 10 | 2268555 | SWITCH, MOMENTARY ON | |
| 11 | 2272383 | CLOCK | |
| 12 | 2268530 | SWITCH, ON/ON | |
| 13 | 3805306 | SWITCH, GENERATOR | |
| NI | 3804846 | BEZEL, GENERATOR SWITCH | |
| 14 | 2274165 | BLANK | |
| 15 | 3765021 | GAUGE, TRIP ODOMETER | |
| 16 | | LIGHT | |
| | 2271484 | BLUE | |
| | 3826914 | RED | |
| 17 | 3743929 | ALARM, WATER FILTER | |
| 18 | 2249480 | GAUGE, VACUUM | |
| 19 | 2130045 | BULB, RED | |
| 20 | 4011268 | BULB, AMBER | |

QUANTITY REQUIRED IS ONE UNLESS OTHERWISE SPECIFIED.

)

)

)

1. The first part of the document discusses the importance of maintaining accurate records of all transactions and activities. It emphasizes the need for transparency and accountability in financial reporting.

2. The second part of the document outlines the various methods and techniques used to collect and analyze data. It includes a detailed description of the sampling process and the statistical tools employed.

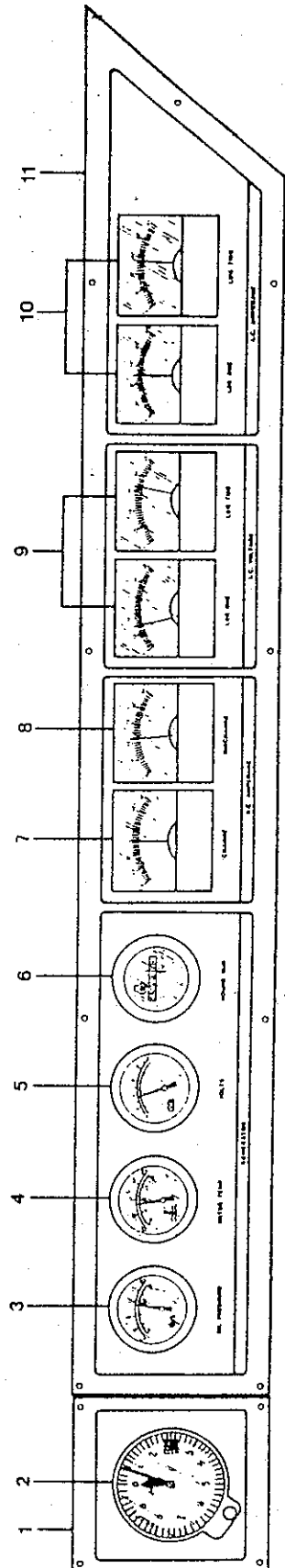
3. The third part of the document presents the results of the study, including a comparison of the different methods and a discussion of the findings. It highlights the strengths and weaknesses of each approach and provides recommendations for future research.

4. The final part of the document concludes the study and offers some thoughts on the broader implications of the findings. It suggests that the results have important implications for the field of financial reporting and that further research is needed to address some of the remaining questions.

INSTRUMENTS RIGHT HAND OVERHEAD

| | | |
|---|--------------------|---------|
| ← | DR. 7-30-85 BY DBW | 8004343 |
| | APP. BY | |

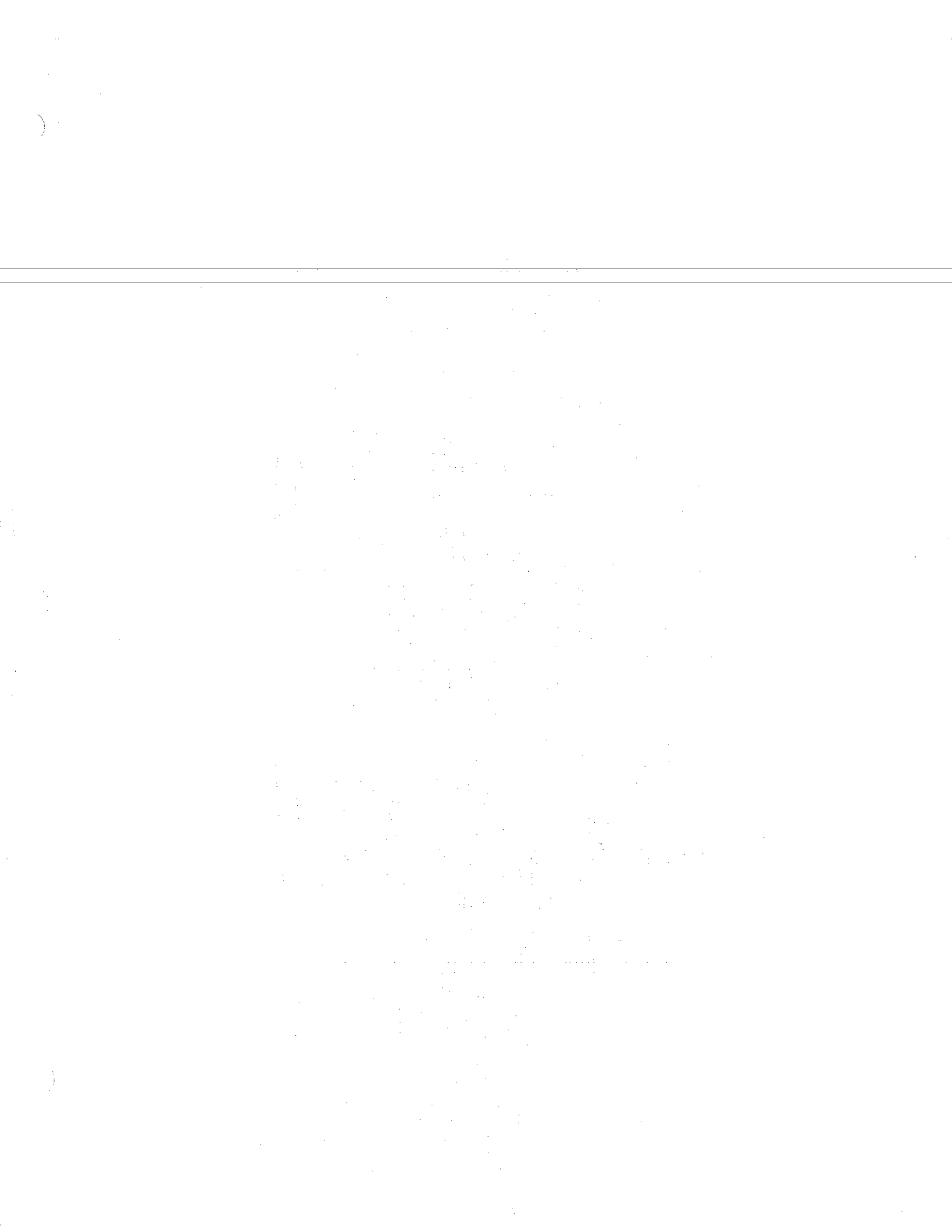
FRONT © 1985 BLUE BIRD BODY COMPANY ALL RIGHTS RESERVED



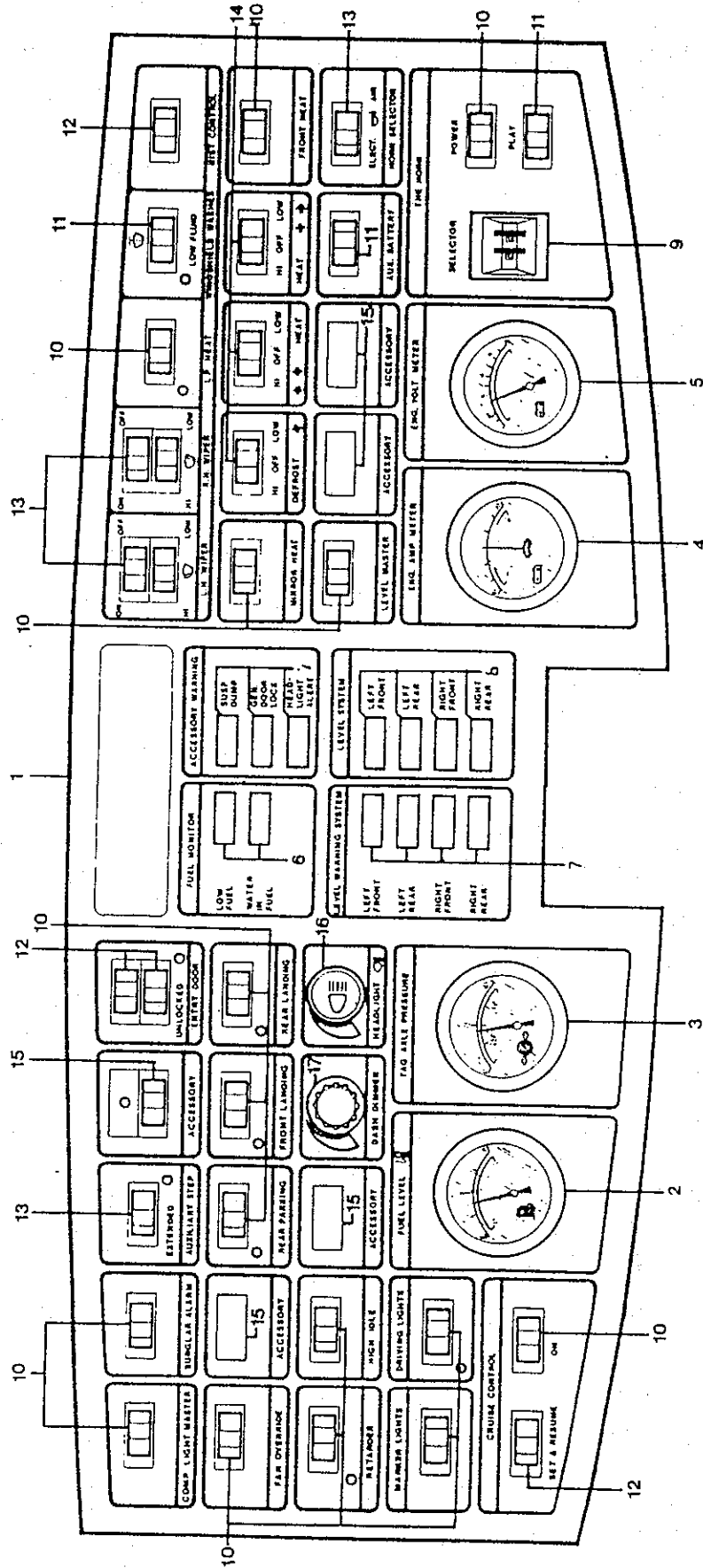
INSTRUMENTS
RIGHT HAND OVERHEAD

| KEY NO. | PART NO. | DESCRIPTION | QTY REQ'D |
|---------|----------|--|-----------|
| 1 | 3810363 | DECAL, ALTIMETER | |
| 2 | 2249209 | ALTIMETER | |
| 3 | 3795481 | GAUGE, ENGINE OIL PRESSURE <i>Seaflex inc</i> | |
| NI | 3811254 | SENDER, OIL PRESSURE | |
| 4 | 1078823 | GAUGE, WATER TEMPERATURE | |
| NI | 3811221 | SENDER, WATER TEMP | |
| 5 | 3746120 | GAUGE, VOLTMETER | |
| 6 | 3746112 | GAUGE, HOURMETER | |
| 7 | 3775608 | METER, AMPERAGE 150-0-150 | |
| 8 | 3764644 | METER, AMPERAGE 150 | |
| 9 | 3764628 | METER, VOLTS, 125 — <i>Instrument Master Co.</i> | |
| 10 | 3764636 | METER, AMPERAGE 100 | |
| 11 | 3760972 | PANEL ONLY | |

QUANTITY REQUIRED IS ONE UNLESS OTHERWISE SPECIFIED.



INSTRUMENTS, LOWER



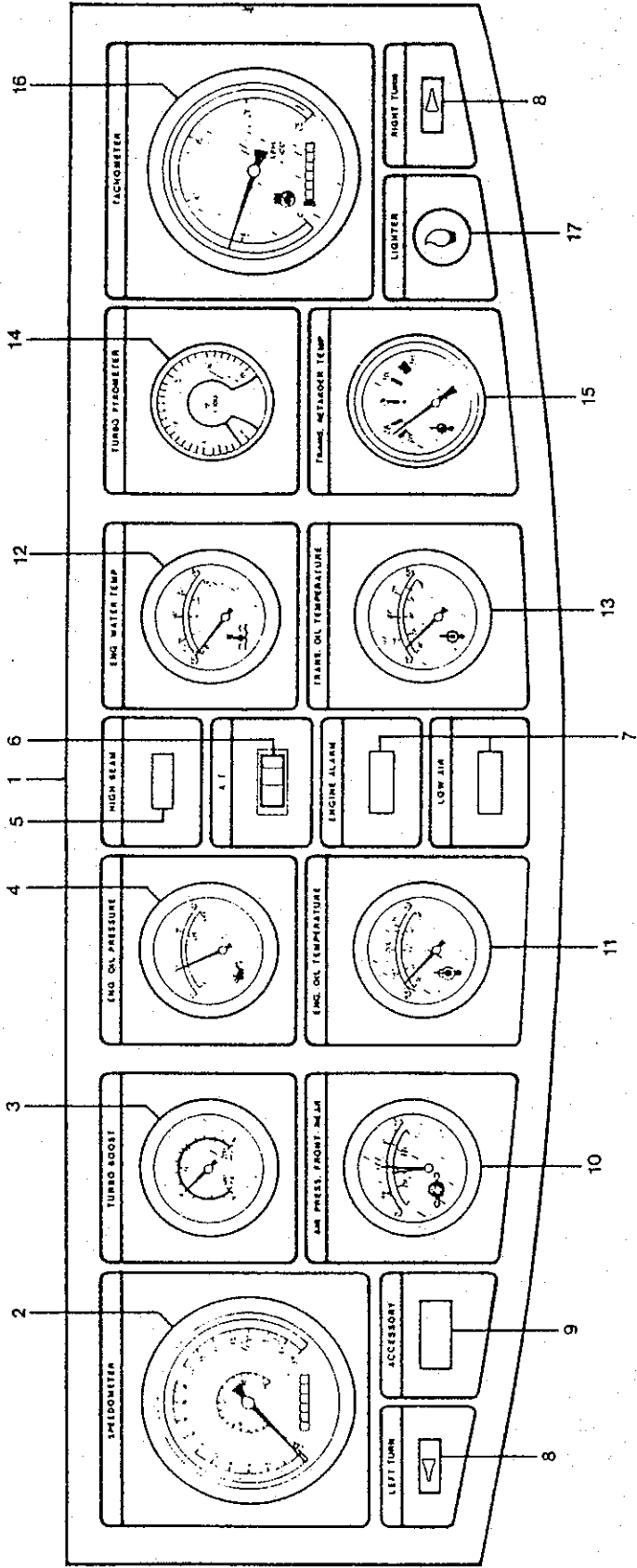
INSTRUMENTS, LOWER

| KEY NO. | PART NO. | DESCRIPTION | QTY REQ'D |
|---------|----------|--------------------------|-----------|
| 1 | 3820586 | PANEL ONLY, LOWER | |
| 2 | 1077676 | GAUGE, FUEL LEVEL | |
| 3 | 3746088 | GAUGE, TAG AXLE PRESSURE | |
| 4 | 3775772 | GAUGE, ENGINE AMPMETER | |
| 5 | 3746120 | GAUGE, ENGINE VOLTMETER | |
| 6 | 2271815 | LIGHT, AMBER | |
| 7 | 2271807 | LIGHT, RED | |
| 8 | 2271823 | LIGHT, BLUE | |
| 9 | 3737160 | SWITCH, SELECTOR | |
| 10 | 2268522 | SWITCH, ON/OFF | |
| 11 | 2268555 | SWITCH, MOMENTARY ON | |
| 12 | 2268563 | SWITCH, MOMENTARY ON/ON | |
| 13 | 2268530 | SWITCH, ON/ON | |
| 14 | 2268548 | SWITCH, ON/OFF/ON | |
| 15 | 2274165 | BLANK | |
| 16 | 0914465 | SWITCH | |
| NI | 0985697 | KNOB | |
| NI | 2025559 | NUT | |
| 17 | 3761632 | SWITCH | |
| NI | 0985697 | KNOB | |
| NI | 2271484 | LIGHT, INDICATOR, BLUE | |

QUANTITY REQUIRED IS ONE UNLESS OTHERWISE SPECIFIED.



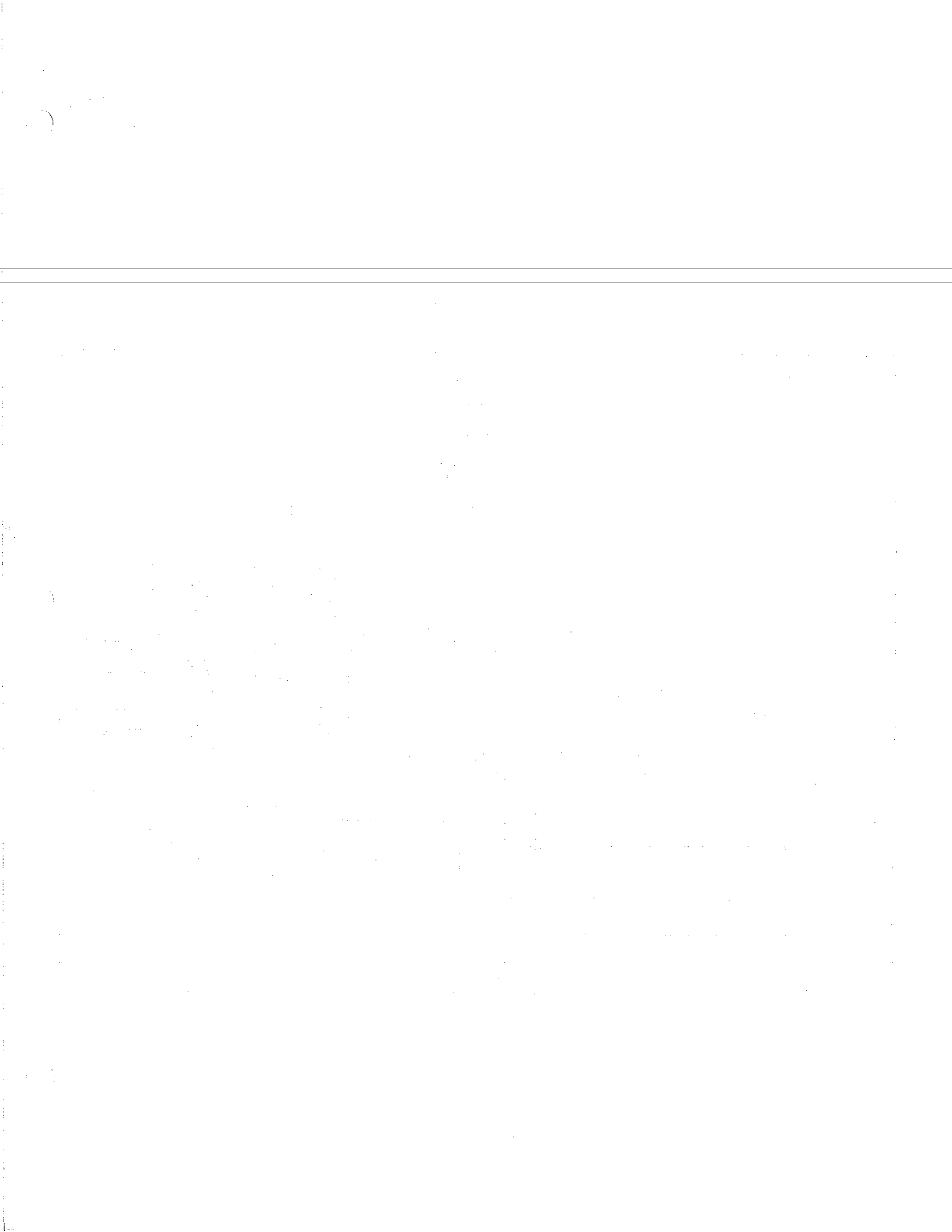
INSTRUMENTS UPPER



INSTRUMENTS
UPPER

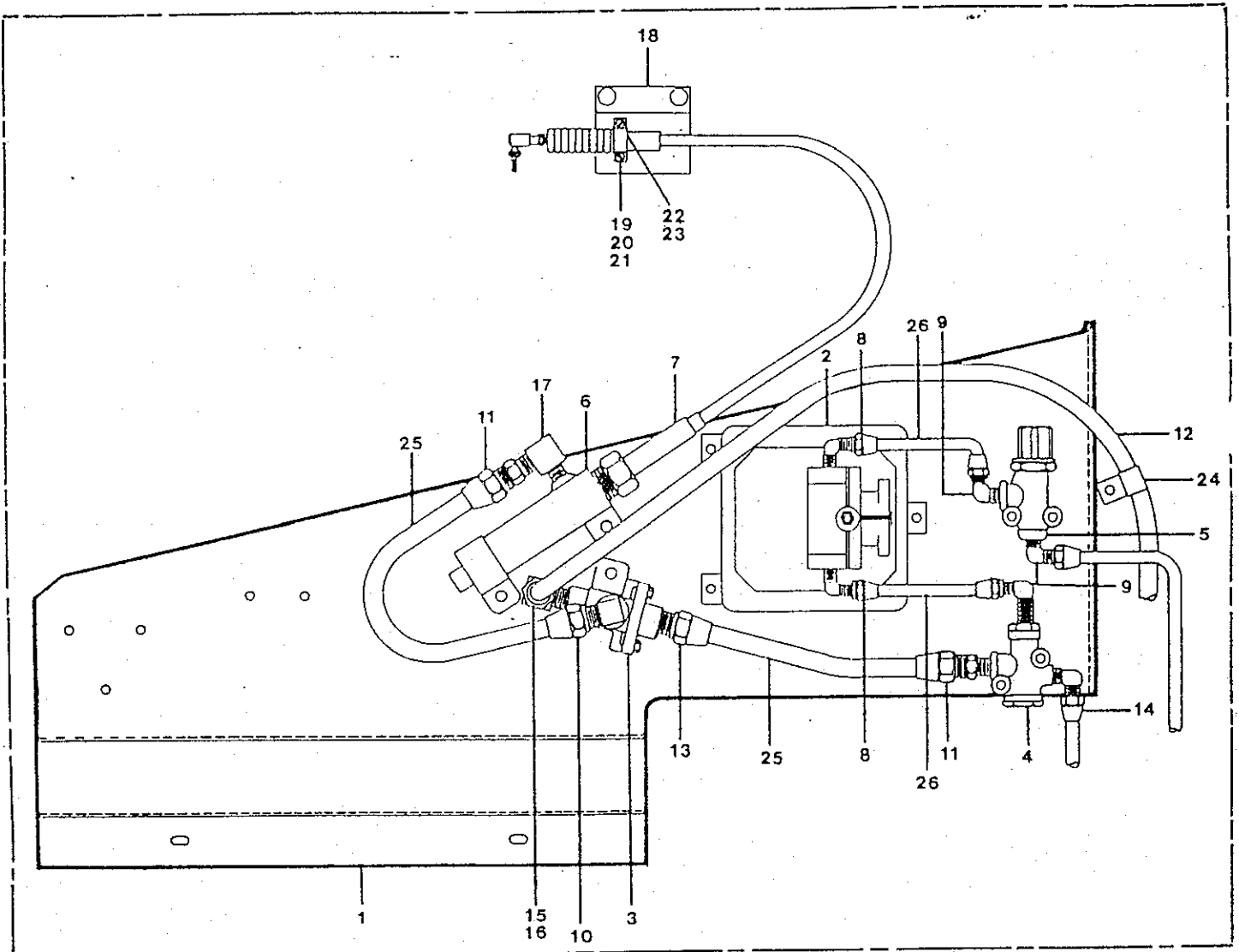
| KEY NO. | PART NO. | DESCRIPTION | QTY REQ'D |
|---------|----------|--|-----------|
| 1 | 3810355 | PANEL ONLY, UPPER DASH | |
| 2 | 3765096 | GAUGE, SPEEDOMETER. | |
| NI | 0932475 | SENSOR, ELECTRIC SPEEDOMETER | |
| 3 | 3765039 | GAUGE, TURBO BOOST | |
| 4 | 3795481 | GAUGE, ENGINE OIL PRESSURE | |
| NI | 1078773 | SENDER, ENGINE OIL <u> </u> <i>1017680-84-83-</i> | |
| 5 | 2271823 | LIGHT, HIGH BEAM (BLUE) | |
| 6 | 2268522 | SWITCH, ON/OFF | |
| 7 | 2271807 | LIGHT, ENGINE ALARM (RED) | |
| 8 | 2271955 | LIGHT, TURN SIGNAL (GREEN) | |
| 9 | 2274165 | SWITCH, BLANK | |
| 10 | 3810389 | GAUGE, AIR PRESSURE, FRONT/REAR | |
| 11 | 3768496 | GAUGE, ENGINE OIL TEMPERATURE | |
| NI | 1078799 | SENDER, ENGINE OIL TEMP. | |
| 12 | 1078823 | GAUGE, ENGINE WATER TEMPERATURE | |
| NI | 1078781 | SENDER, WATER TEMP | |
| 13 | 1077700 | GAUGE, TRANSMISSION OIL TEMPERATURE | |
| NI | 1078781 | SENDER, OIL TEMP. | |
| 14 | 3760923 | GAUGE, TURBO PYROMETER | |
| 15 | 1197904 | GAUGE, RETARDER TEMPERATURE | |
| NI | 1197920 | SENDER, OIL TEMP. TRANS. | |
| 16 | 3765062 | GAUGE, TACHOMETER | |
| NI | 0910216 | SENDER, TACHOMETER | |
| 17 | 2018406 | LIGHTER | |

QUANTITY REQUIRED IS ONE UNLESS OTHERWISE SPECIFIED.



CRUISE CONTROL, FINAL ASSEMBLY
GM 8V92TA & GM 6V92TA

| | | |
|-------|---|---------|
| → | DR. 7-23-85 BY LAD | 8004210 |
| | APP. 7-23-85 BY [Signature] | |
| FRONT | © 1985 BLUE BIRD BODY COMP. ALL RIGHTS RESERVED | |



CRUISE CONTROL, FINAL ASSEMBLY
GM 8V92TA & GM 6V92TA

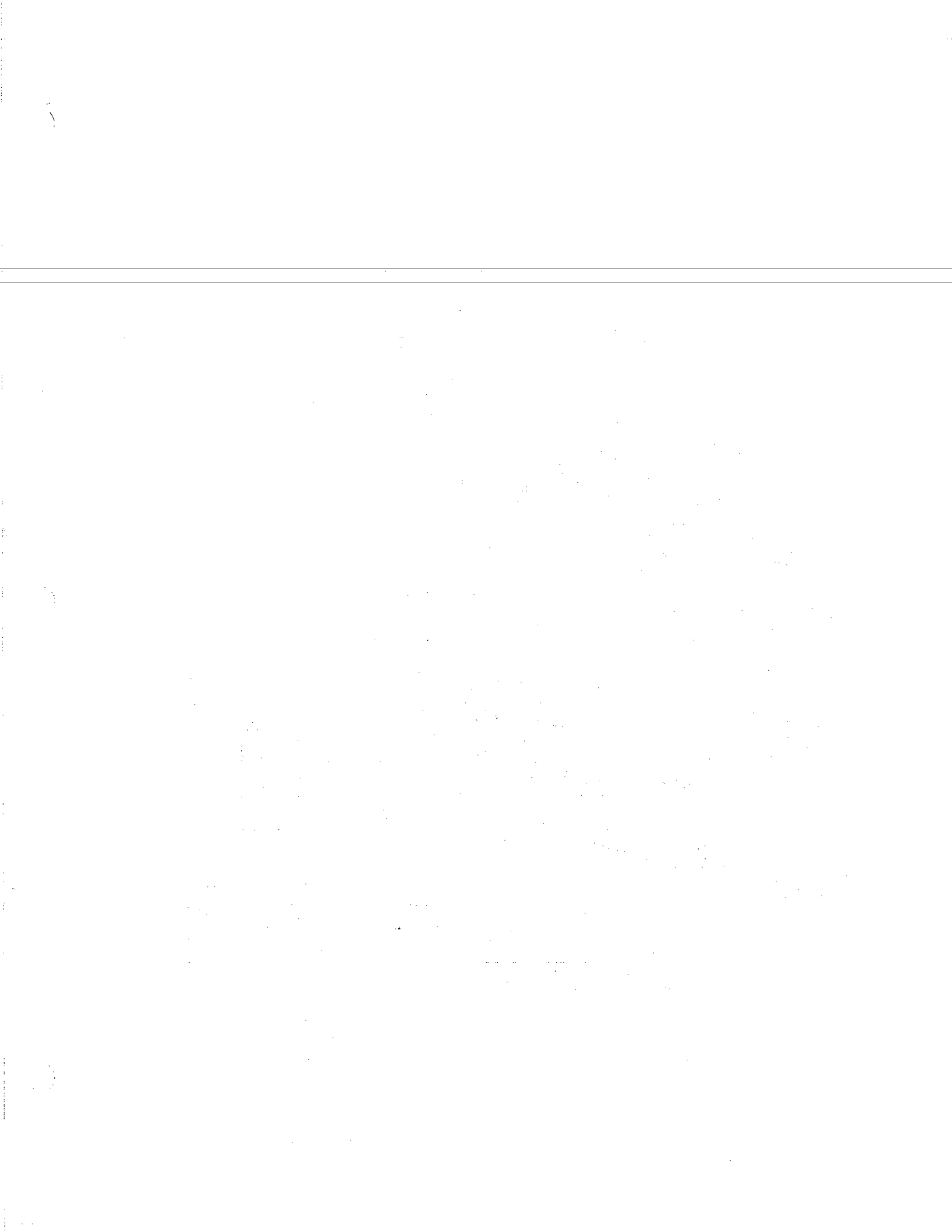
| KEY NO. | PART NO. | DESCRIPTION | QTY REQ'D |
|---------|----------|-------------------------------------|-----------|
| 1 | 1197144 | PLATE, MOUNTING, CRUISE CONTROL | |
| 2 | 1091438 | MODULE, CRUISE CONTROL, BENDIX | |
| 3 | 0654434 | VALVE, DOUBLE CHECK, 3/8 PIPE | |
| 4 | 1087444 | VALVE, INVERSION | |
| 5 | 1087436 | VALVE, PRESSURE REDUCING | |
| 6 | 1087428 | CYLINDER, AIR | |
| 7 | 1091461 | CABLE, THROTTLE | |
| 8 | 2023786 | ELBOW, 1/8 MPT X 1/4 TUBE | 2 |
| 9 | 2023935 | ELBOW, 1/4 MPT X 1/4 TUBE | 3 |
| 10 | 2023307 | ELBOW, 3/8 MPT X 1/2 TUBE | |
| 11 | 2023372 | CONNECTOR, 1/4 MPT X 1/2 TUBE | 2 |
| 12 | 0870311 | NOSE ASSY. | |
| 13 | 2023364 | CONNECTOR, 3/8 MPT X 1/2 TUBE | |
| 14 | 0654301 | ELBOW, 1/8 MPT X 3/8 TUBE | |
| 15 | 2027241 | ELBOW, 3/8 STREET | |
| 16 | 2027134 | BUSHING, PIPE, 3/8 X 1/4 | |
| 17 | 2027233 | ELBOW, 1/4 STREET | |
| 18 | 1089929 | BRACKET, MOUNTING, THROTTLE | |
| 19 | 2001162 | WASHER, LOCK, 3/16 | 2 |
| 20 | 2001253 | NUT, HEX, 8-32 | 2 |
| 21 | 2000743 | SCREW, MACHINE, 8-32 X 3/4 CP | 2 |
| 22 | 1091446 | CLAMP, ACCELERATOR CABLE | |
| 23 | 1091453 | SHIM, CLAMP, ACCELERATOR | |
| 24 | 1170083 | CLAMP, CLOSED TYPE | |
| 25 | 1197177 | TUBING, NYLON | |
| 26 | 0654962 | TUBING, STRATOFLEX, BLACK, 1/4 O.D. | |
| NI | 1197185 | INSERT, NYLON, 1/2 O.D. | |
| NI | 0654970 | INSERT, HYTRON TUBING, 1/4 O.D. | 4 |
| NI | 1092337 | BOLT, 1/4-20 X 2 | 4 |
| NI | 0977132 | BOLT, HEX HEAD, 1/4-20 X 3/4 | 3 |
| NI | 2001329 | NUT, HEX, NC 1/4 | 7 |
| NI | 2001170 | WASHER, LOCK, 1/4 | 7 |
| NI | 0654459 | BOLT, HEX, 5/16-18 X 7/8 | 3 |
| NI | 2001410 | NUT, HEX, 5/16-18 | 3 |
| NI | 2001188 | WASHER, LOCK, 5/16 | 3 |

QUANTITY REQUIRED IS ONE UNLESS OTHERWISE SPECIFIED.

()

()

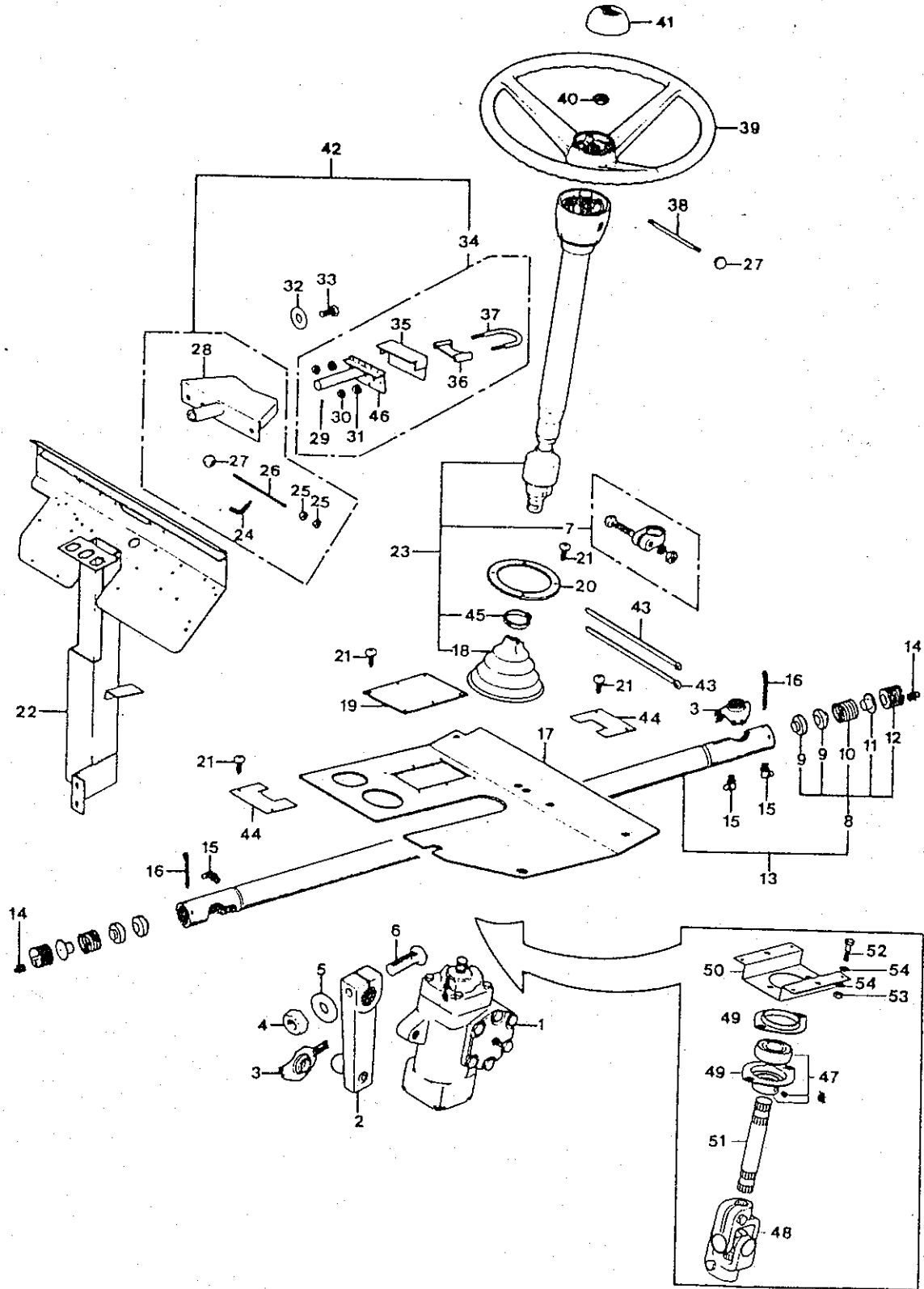
()



STEERING LINKAGE

| | |
|-----------------------|---------|
| DR. 8/07/85 BY J.E.T. | 8004475 |
| APP. 8/08/85 BY DVB | |

FRONT © 1985 BLUE BIRD BODY COMP. ALL RIGHTS RESERVED



STEERING LINKAGE

| KEY NO. | PART NO. | DESCRIPTION | QTY REQ'D |
|---------|----------|--|-----------|
| 1 | 1161330 | GEAR, POWER STEERING | |
| 2 | 1153394 | ARM, PITTMAN 8 1/2 | |
| 3 | 0990184 | DUST COVER, DRAG ROD STEERING | 2 |
| 4 | 0933879 | NUT, HEX 3/4-10 G8 PREV. TORQUE | |
| 5 | 0870915 | WASHER, 3/4 PLAIN | |
| 6 | 0870873 | BOLT, HEX 3/4-10 X 4 G8 | |
| 7 | 2120988 | CLAMP ASSY., HFB 64 STEERING COLUMN (INCL W/ITEM 23) | |
| 8 | 2118198 | KIT, REPAIR DRAG ROD ASSY. | |
| 9 | 2597318 | BALL SEAT, DRAG ROD | 4 |
| 10 | 2596617 | SPRING | 2 |
| 11 | 2627107 | SPRING SEAT | 2 |
| 12 | 2596518 | PLUG, ADJUSTING 1 3/4 DRAG ROD | 2 |
| 13 | 1111020 | DRAG ROD ASSY (INCLUDES ITEM 8) | |
| 14 | 2027431 | FITTING, 1/8 MPT STRAIGHT GREASE | 2 |
| 15 | 2027472 | FITTING, 1/8 MPT 90 DEG. GREASE | 3 |
| 16 | 0609495 | COTTER PIN 3/16 X 3 | 2 |
| 17 | 1038207 | TOE BOARD, W/ACCESS HOLE | |
| 18 | 2003457 | RUBBER BOOT | |
| 19 | 1037688 | PLATE, SERVICE ACCESS. TOE BOARD POWER STEERING | |
| 20 | 2003473 | RETAINER, GEAR SHIFT LEVER BOOT | |
| 21 | 2000511 | SCREW, SM PH OVAL HEAD 10 X 1/2 | 10 |
| 22 | 1143932 | POST, FINAL ASSY., INSTRUMENT PANEL | |
| 23 | 1167683 | COLUMN ASSY., UPPER, POWER STEERING, HFB-64 | |
| 24 | 0913822 | SPRING, TILT STEERING WHEEL | |
| 25 | 2001345 | NUT, HEX CENTER LOCK 1/4-20 | 2 |
| 26 | 1123991 | LEVER, LOCKING TILT STEERING WHEEL | |
| 27 | 0755496 | BALL KNOB, BLACK | 2 |
| 28 | 1134907 | BRACKET ASSY., TILT STEERING WHEEL | |
| 29 | 2019503 | PIN, SELF LOCKING STEEL PLAIN | |
| 30 | 2001451 | NUT, HEX, 3/8-16 | 2 |
| 31 | 2028579 | LOCKWASHER, 3/8 MEDIUM SPRING | 2 |
| 32 | 2001121 | WASHER, FLAT 1/4" | 4 |
| 33 | 0527366 | CAPSCREW, ST HEX HEAD 5/16 X 3/4" | 4 |
| 34 | 1134857 | SLIDE ASSY., ADJ. TILT STEERING WHEEL | |
| 35 | 0913806 | COVER, TILT STEERING WHEEL BRKT. | |
| 36 | 0952291 | CLAMP, SADDLE TILT STEERING, 2" PAINTED | |
| 37 | 0952283 | CLAMP, U-BOLT TILT STEERING, 2" PAINTED | |
| 38 | 0756411 | LEVER, TURN SIGNAL | |
| 39 | 2267524 | WHEEL STEERING PADDED CUSTOM | |
| 40 | 2704336 | NUT, STEERING WHEEL | |
| 41 | 2268100 | HORN BUTTON | |
| 42 | 1134907 | BRACKET ASSY., TILT STEERING COMPLETE | |
| 43 | 0599704 | TIE CABLE (SERVICE SUBSTITUTE FOR ITEM 45) | |
| 44 | 0996496 | PLATE, SERVICE ACCESS TOE BOARD | |
| 45 | 1167667 | CLAMP STEERING COLUMN BOOT (SEE ITEM 43) | |
| 46 | 1134857 | SLIDE ASSY., ADJ. TILT STEERING WHEEL | |

QUANTITY REQUIRED IS ONE UNLESS OTHERWISE SPECIFIED.

(1)

(2)

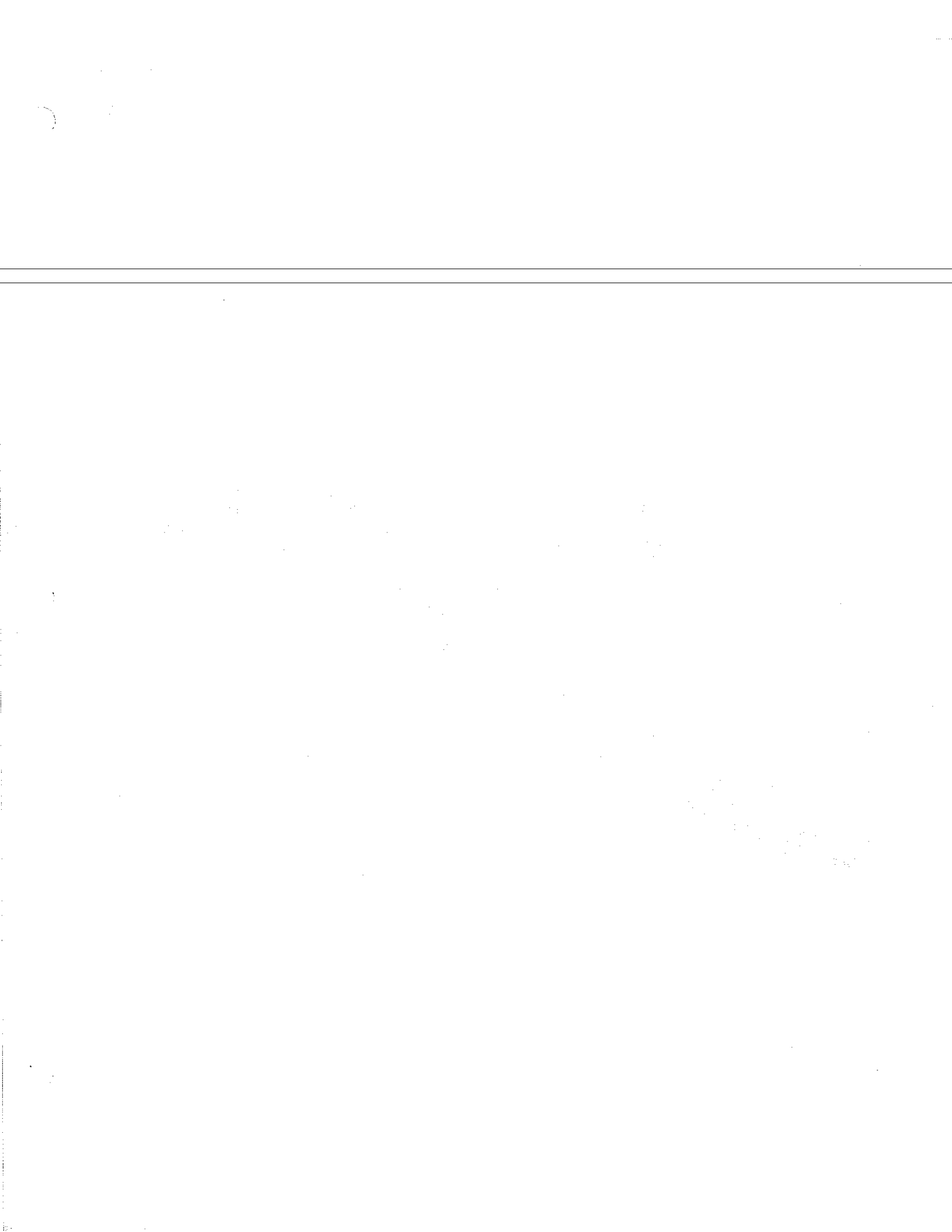
(3)

STEERING LINKAGE

| KEY NO. | PART NO. | DESCRIPTION | QTY REQ'D |
|---------|----------|------------------------------|-----------|
| 47 | 1105030 | BEARING, SPHERICAL BALL | |
| 48 | 1105279 | JOINT, UNIVERSAL, STEERING | |
| 49 | 1105410 | FLANGE, SPHERICAL BOLT MOUNT | |
| 50 | 1105048 | BRACKET, MOUNTING | |
| 51 | 1105287 | SHAFT SPLINED | |
| 52 | 0962753 | BOLTS, 1/4" X 20 X 1", GD. 5 | 2 |
| 53 | 1039262 | LOCKING NUTS | 2 |
| 54 | 2001121 | FLATWASHERS | 4 |

QUANTITY REQUIRED IS ONE UNLESS OTHERWISE SPECIFIED.

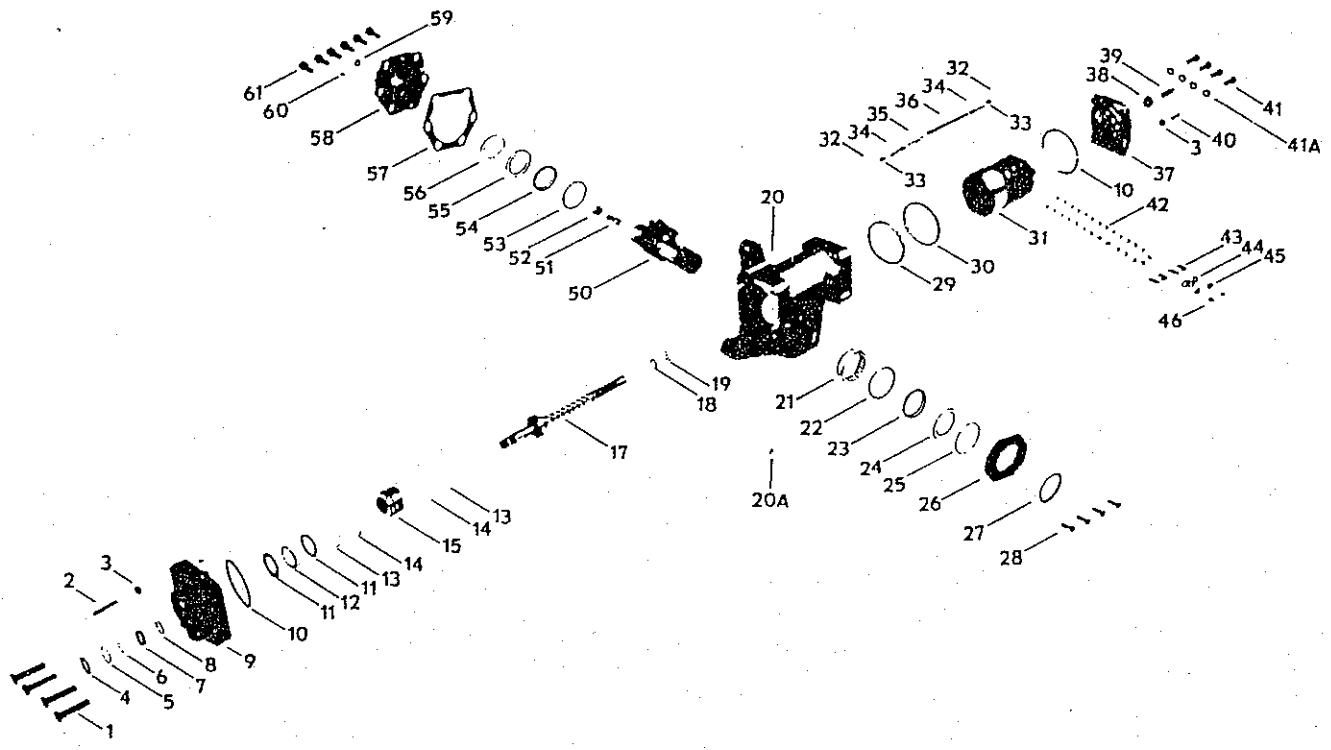




| | | |
|------|----|---------|
| DR. | BY | 2158509 |
| APP. | BY | |

HFB 64, STEERING GEAR ASSY.

© 1985 BLUE BIRD BODY COMPANY
ALL RIGHTS RESERVED



HFB 64, STEERING GEAR ASSY.

| KEY NO. | PART NO. | DESCRIPTION | VENDOR PART NO. | QTY REQ'D |
|---------|----------|---|-----------------|-----------|
| NI | 2120848 | SEAL KIT, HFB 64 STEERING GEAR | HFB 640001 | |
| NI | 1161330 | GEAR ASSY., POWER STEERING HFB 64 CONSISTING OF ITEMS 1 THRU 61: | | |
| 1 | 2120996 | BOLT, 1/2-13 TORX HEAD | 020251 | 4 |
| 2 | 2121044 | ADJUSTING SCREW | 021336 | |
| 3 | 2121051 | NUT | 025121 | |
| 3A | 2121077 | NUT, 5/16-24 | 025124 | |
| 4 | 2121184 | SEAL | 032579 | |
| 5 | 2593648 | RETAINING RING | 401314 | |
| 6 | 2121127 | BACKUP WASHER | 028445 | |
| 7 | 2121176 | SEAL ASSY. | 032577-A1 | |
| 9 | 2121416 | VALVE HOUSING ASSY. | HFB-646013-A1 | |
| 10 | 2121226 | O-RING | 032616 | 2 |
| 11 | 2121085 | THRUST WASHER | 028430 | 2 |
| 12 | 2597235 | THRUST BEARING | 067026 | |
| 13 | 2121150 | SEAL RING | 032570 | 2 |
| 14 | 2121168 | O-RING | 032571 | 2 |
| 15 | | NOT SERVICED SEPARATELY, SEE ITEM 17 | | |
| 17 | 2121374 | WORM AND VALVE ASSY. | HFB-523001-J1 | |
| 18 | 2121135 | O-RING | 032552 | 2 |
| 19 | 2121143 | SEAL RING | 032536 | 2 |
| 20 | 2138329 | HOUSING ASSY. | HFB-642009-A1 | |
| 21 | 2121267 | ROLLER BEARING | 071018 | |
| 22 | 2593440 | RETAINING RING | 401309 | |
| 23 | 2121770 | SEAL RING ASSY. | 032634-A1 | |
| 24 | 2121093 | WASHER | 028433 | |
| 25 | 2121192 | O-RING | 032586 | |
| 26 | 2121325 | TRUNNION COVER ASSY. | 402368-A1 | |
| 27 | 2121200 | SEAL | 032591 | |
| 28 | 2121366 | SCREW | G-9429710 | 4 |
| 29 | 2705184 | SEAL RING | 032590 | |
| 30 | 2121218 | O-RING | 032615 | |
| 31 | 2121424 | RACK AND BALL ASSY. | HFB-647002-J1 | |
| 32 | 2121309 | RETAINING RING | 401379 | 2 |
| 33 | 2121341 | POPPET SEAT | 415442 | 2 |
| 34 | 2121234 | POPPET | 040124 | 2 |
| 35 | 2121242 | ROD | 040125 | |
| 36 | 2121291 | SPRING | 401375 | |
| 37 | 2121333 | COVER, END | 402376 | |
| 38 | 2121069 | NUT | 025122 | |
| 39 | 2121036 | ADJUSTING SCREW | 021333 | |
| 40 | 2121010 | ADJUSTING SCREW | 021322 | |
| 41 | 2121002 | BOLT | 020252 | 4 |
| 41A | 2596922 | WASHER | 028335 | 4 |
| 42 | 2121275 | BALL ASSY. (KIT OF 27) | 216191-X1 | |
| 43 | | NOT SERVICED SEPARATELY, SEE ITEM 46A | | |

QUANTITY REQUIRED IS ONE UNLESS OTHERWISE SPECIFIED.

HFB 64, STEERING GEAR ASSY.

| KEY NO. | PART NO. | DESCRIPTION | VENDOR PART NO. | QTY REQ'D |
|---------|----------|---|-----------------------|-----------|
| 44 | | NOT SERVICED SEPARATELY, SEE ITEM 46A | | |
| 45 | | NOT SERVICED SEPARATELY, SEE ITEM 46A | | |
| 46 | | NOT SERVICED SEPARATELY, SEE ITEM 46A | | |
| 46A | 2121283 | CAP, GUIDE AND STRAP KIT INCLUDES ITEMS 43, 44, 45, 46 | 400122-X1 | |
| 50 | 2121788 | SHAFT ASSY. | HFB-644100-A1 -472 | |
| 51 | 2595023 | ADJUSTING SCREW | 021200 | |
| 52 | 2596633 | RETAINER | 062005 | |
| 53 | 2121317 | RETAINING RING | 401445 | |
| 54 | 2138303 | SEAL RING ASSY. | 032635-A1 | |
| 55 | 2594638 | WASHER | 028435 | |
| 56 | 2121101 | WASHER | 028434 | |
| 57 | 2121432 | GASKET, SIDE COVER | HFB-649000 | |
| 58 | 2121408 | SIDE COVER ASSY. | HFB-645002-J1 | |
| 59 | 2121358 | JAM NUT, HEX 1/2-20 | G-9419666 | |
| 60 | 2596138 | VENT PLUG | 036141 | |
| 61 | 2121028 | SCREW, 5/8-18 | G-223734 | 6 |

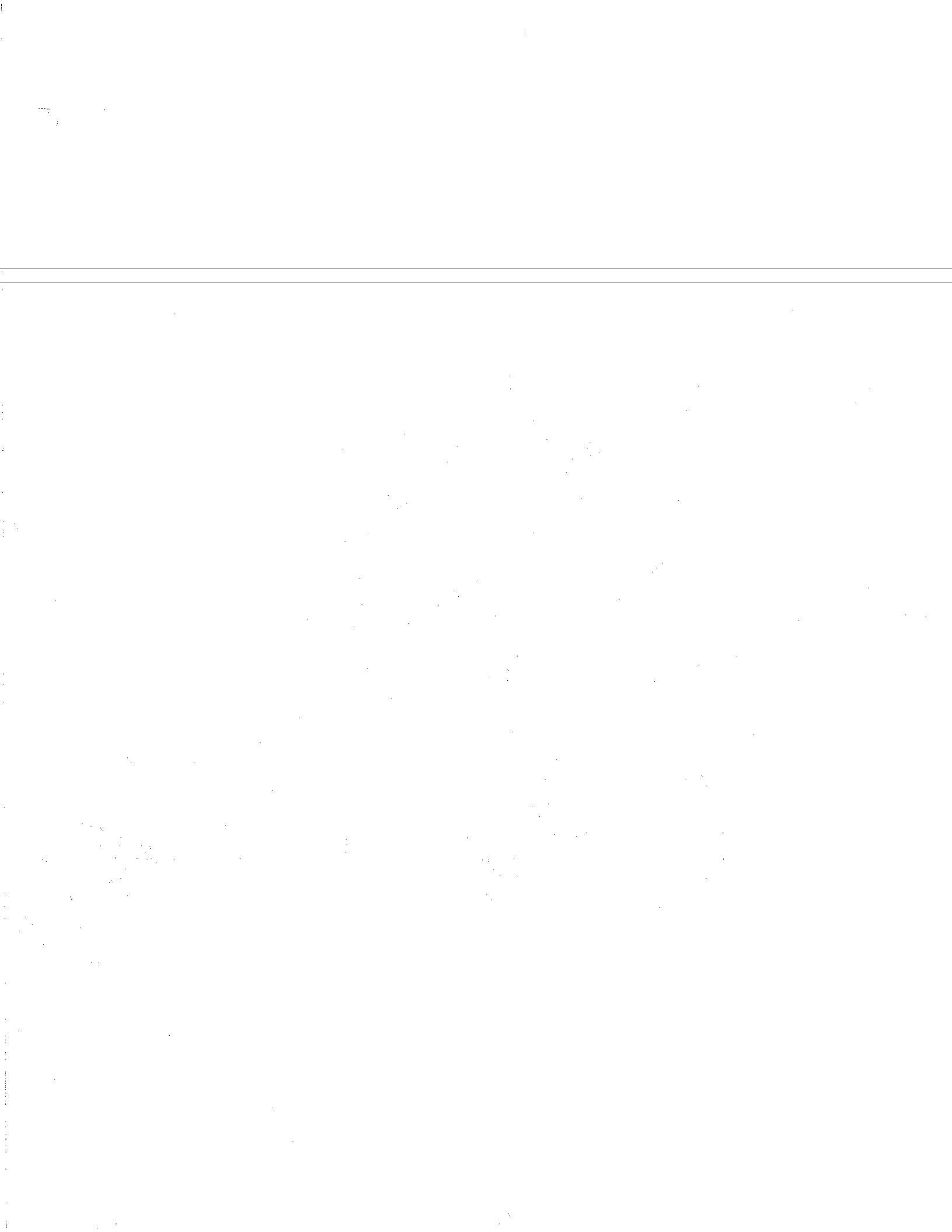
QUANTITY REQUIRED IS ONE UNLESS OTHERWISE SPECIFIED.

The first part of the document discusses the importance of maintaining accurate records of all transactions. It emphasizes that every entry should be supported by a valid receipt or invoice. This ensures transparency and allows for easy verification of the data.

In the second section, the author details the various methods used to collect and analyze the data. This includes both primary and secondary data collection techniques. The analysis focuses on identifying trends and patterns over time, which is crucial for making informed decisions.

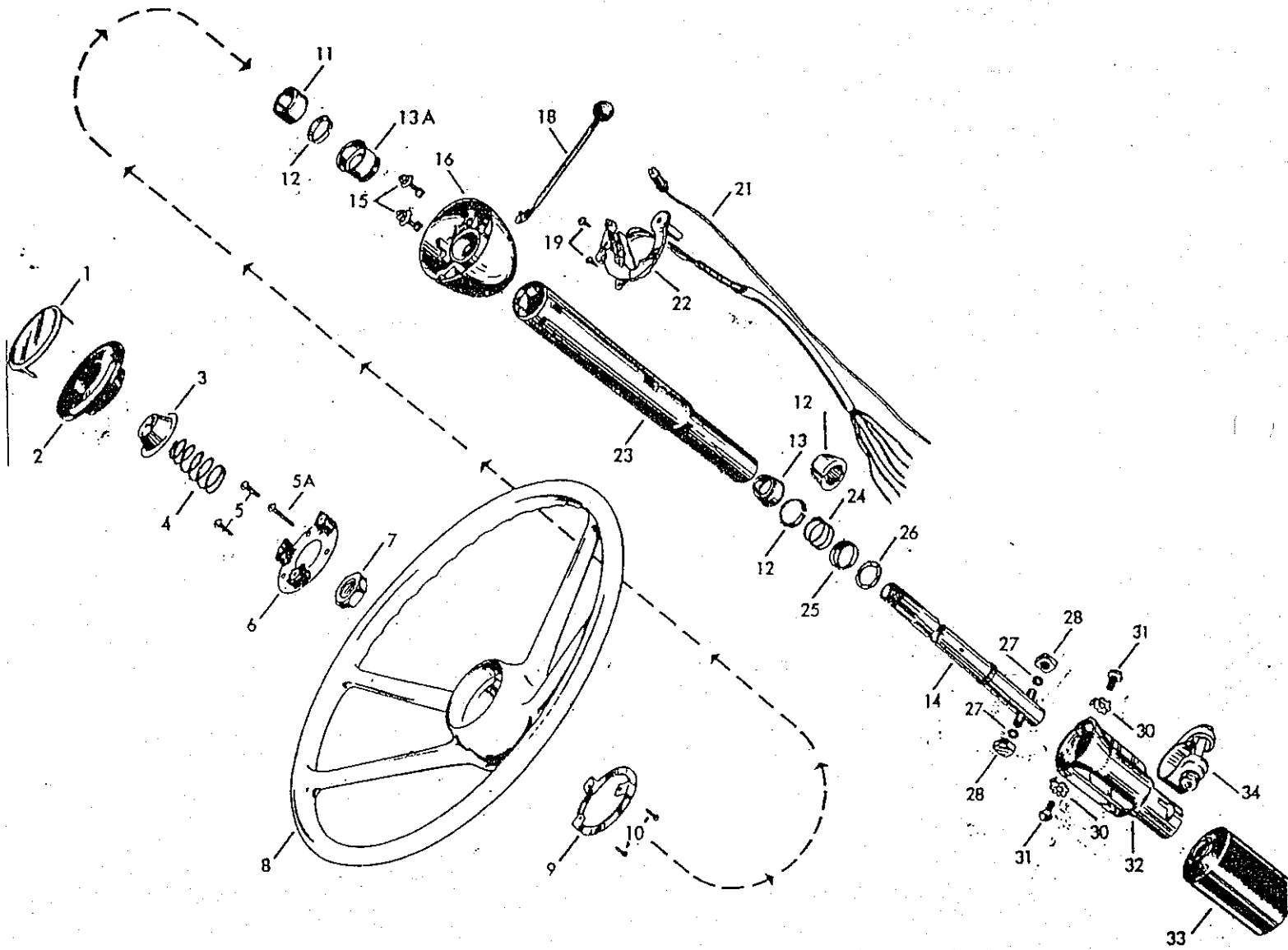
The third section provides a comprehensive overview of the results obtained from the study. It highlights the key findings and their implications for the organization. The data shows a clear upward trend in certain areas, while others remain relatively stable.

Finally, the document concludes with a series of recommendations based on the findings. These suggestions are aimed at improving efficiency and reducing costs. The author believes that implementing these changes will lead to significant long-term benefits for the company.



| | | |
|------------|----------|---------|
| DR. _____ | BY ROSS | 8001711 |
| APP. _____ | BY _____ | |

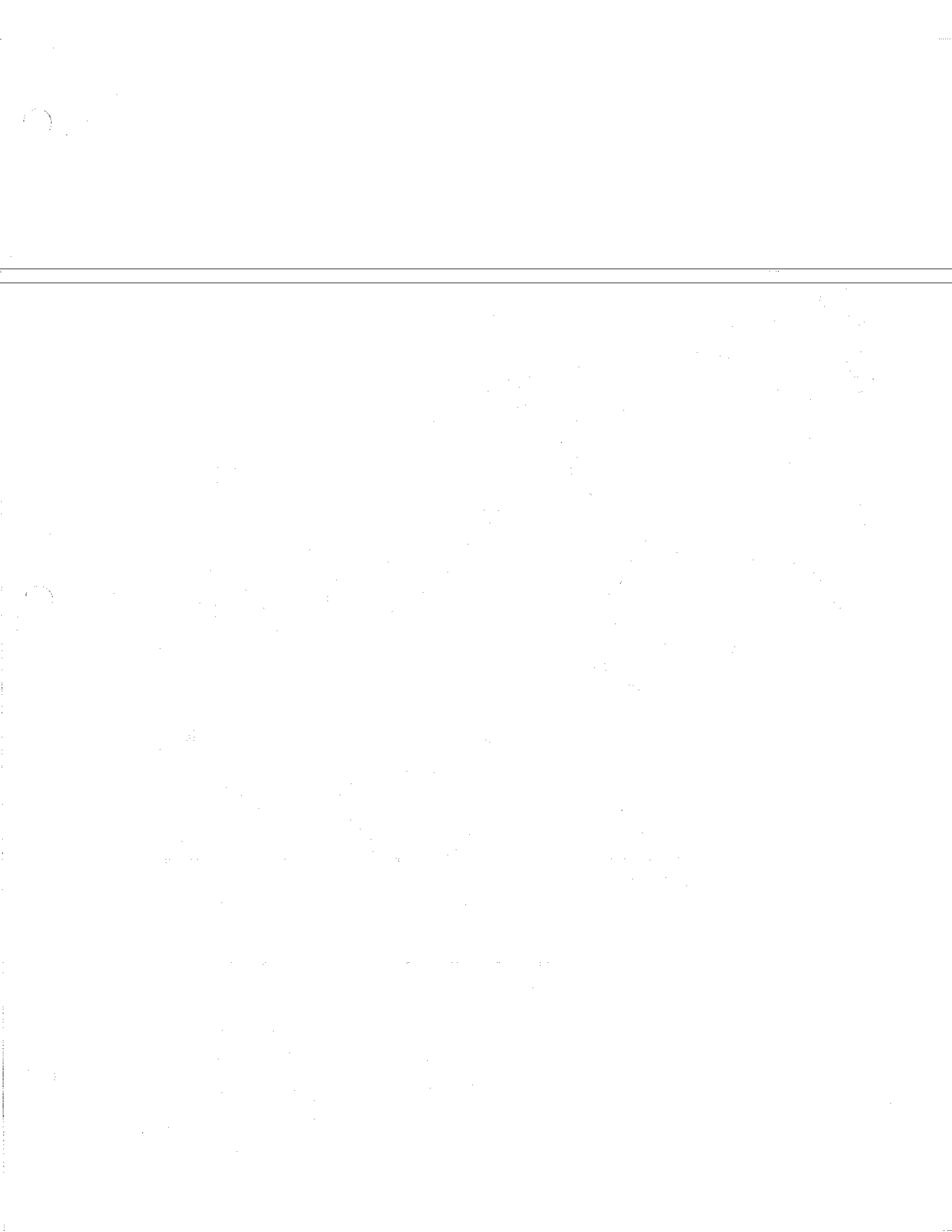
HFB 64, POWER STEERING COLUMN



HFB 64, POWER STEERING COLUMN

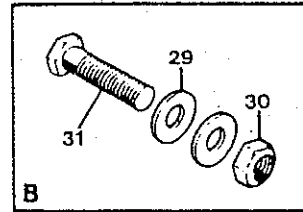
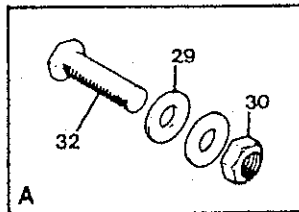
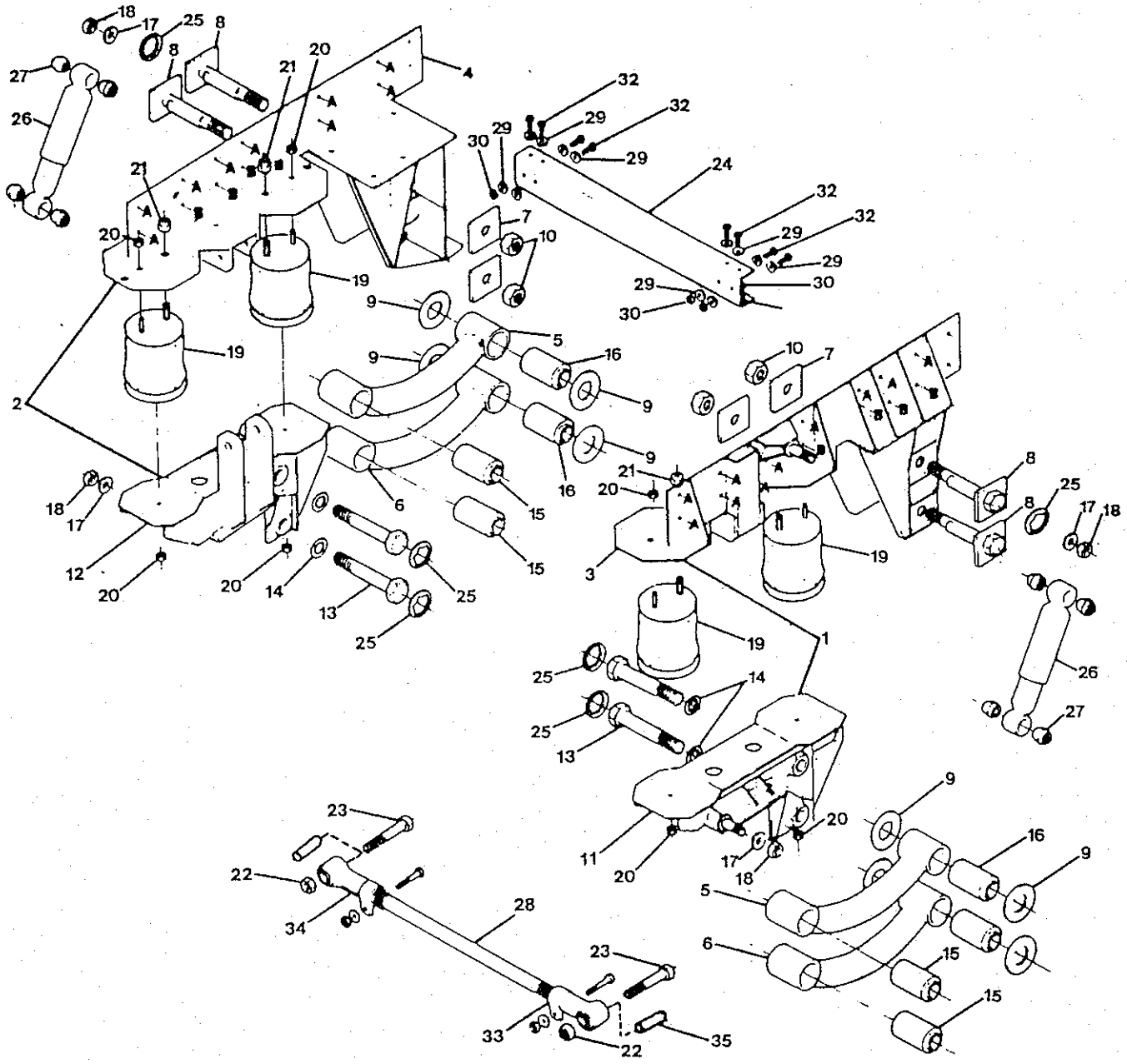
| KEY NO. | PART NO. | DESCRIPTION | QTY REQ'D |
|---------|----------|--|-----------|
| NI | 1167683 | COLUMN ASSY., UPPER P/S (INCLUDES ALL ITEMS WITH *) | |
| NI | 2268100 | KIT HORN BUTTON | |
| 1 | | NOT APPLICABLE | |
| 2 | | NOT APPLICABLE | |
| 3 | | NOT APPLICABLE | |
| 4 | | NOT APPLICABLE | |
| 5 | | NOT APPLICABLE | |
| 5A | | NOT APPLICABLE | |
| 6 | | NOT APPLICABLE | |
| 7* | 2704336 | NUT, STEERING WHEEL | |
| 9* | 0876797 | RING, HORN CONTACT | |
| 10* | 0876789 | SCREW, HORN CONTACT RING DRIVE (#8-15 X 1 1/2) | 2 |
| 11* | 2618601 | SPACER, 1 3/16" O.D. X 5/8" WIDE (UPPER) | |
| 12* | 2592657 | SEAT, HORN SPRING | 2 |
| 13* | 2596831 | BEARING ASSY., JACKET TUBE LOWER | |
| 13A* | 2596930 | BEARING ASSY., JACKET TUBE UPPER | |
| 14* | 2120947 | SHAFT ASSY., STEERING TUBE | |
| 15* | 2594927 | BOLT STEERING CLAMP "J" | 2 |
| 16* | 2597441 | HOUSING, TURN SIGNAL | |
| 18* | 2596344 | LEVER ASSY., DIRECTIONAL | |
| 19* | 2704369 | SCREW, DIRECTIONAL SWITCH MOUNTING | 2 |
| 21* | 2595536 | HORN CONTACT BRUSH ASSY | |
| 22* | 2625960 | SWITCH ASSY, DIRECTIONAL & HAZARD SIGNAL | |
| 23* | 2120954 | TUBE ONLY, STEERING JACKET | |
| NI* | 2118131 | TUBE ASSY., STEERING JACKET (INCLUDES ITEM 16 & 23) | |
| 24* | 2592848 | SPRING, LOWER JACKET TUBE | |
| 25* | 2597821 | DUST CAP, JACKET TUBE LOWER | |
| 26* | 2120921 | WASHER, JACKET TUBE LOWER | |
| 27* | 2621415 | WASHER, WHEEL SHAFT WAVE | 2 |
| 28* | 2596534 | BUTTON, WHEEL SHAFT SLIDE | 2 |
| 30* | 2596724 | TONGUED WASHER, COUPLING SHELL | 2 |
| 31* | 2594711 | CAPSCREW, COUPLING SHELL | 2 |
| 32* | 2120962 | COUPLING SHELL, STEERING SHAFT | |
| 33* | 2594034 | RUBBER SHIELD, STEERING SHAFT LOWER | |
| 34* | 2120988 | CLAMP ASSY.. STEERING COUPLING SHELL | |
| NI* | 2593812 | PLAIN WASHER, 5/16"X3/4" | 2 |
| NI* | 2592558 | RING REINFORCING | |

QUANTITY REQUIRED IS ONE UNLESS OTHERWISE SPECIFIED.



FRONT SUSPENSION WLPP

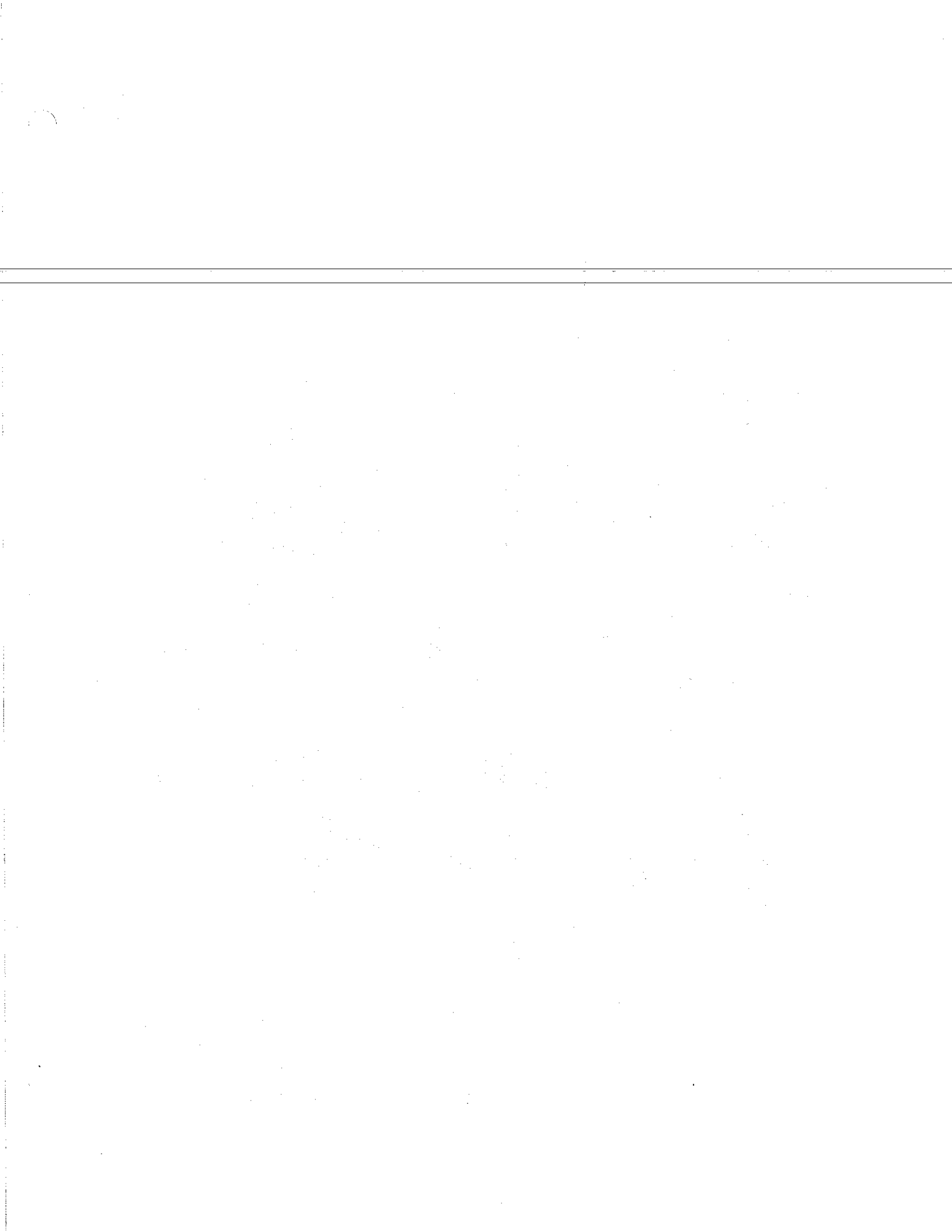
| | | |
|-------------------------------|--------------------|---------------------|
| FRONT | DN. 8-5-85 BY JLR | 800 4400 |
| | APP. 8-5-85 BY DVB | |
| © 1985 BLUE BIRD BODY COMPANY | | ALL RIGHTS RESERVED |



FRONT SUSPENSION
WLPP

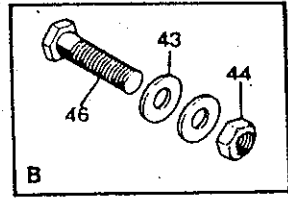
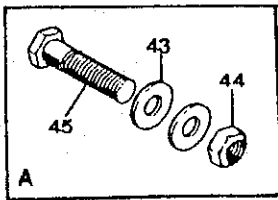
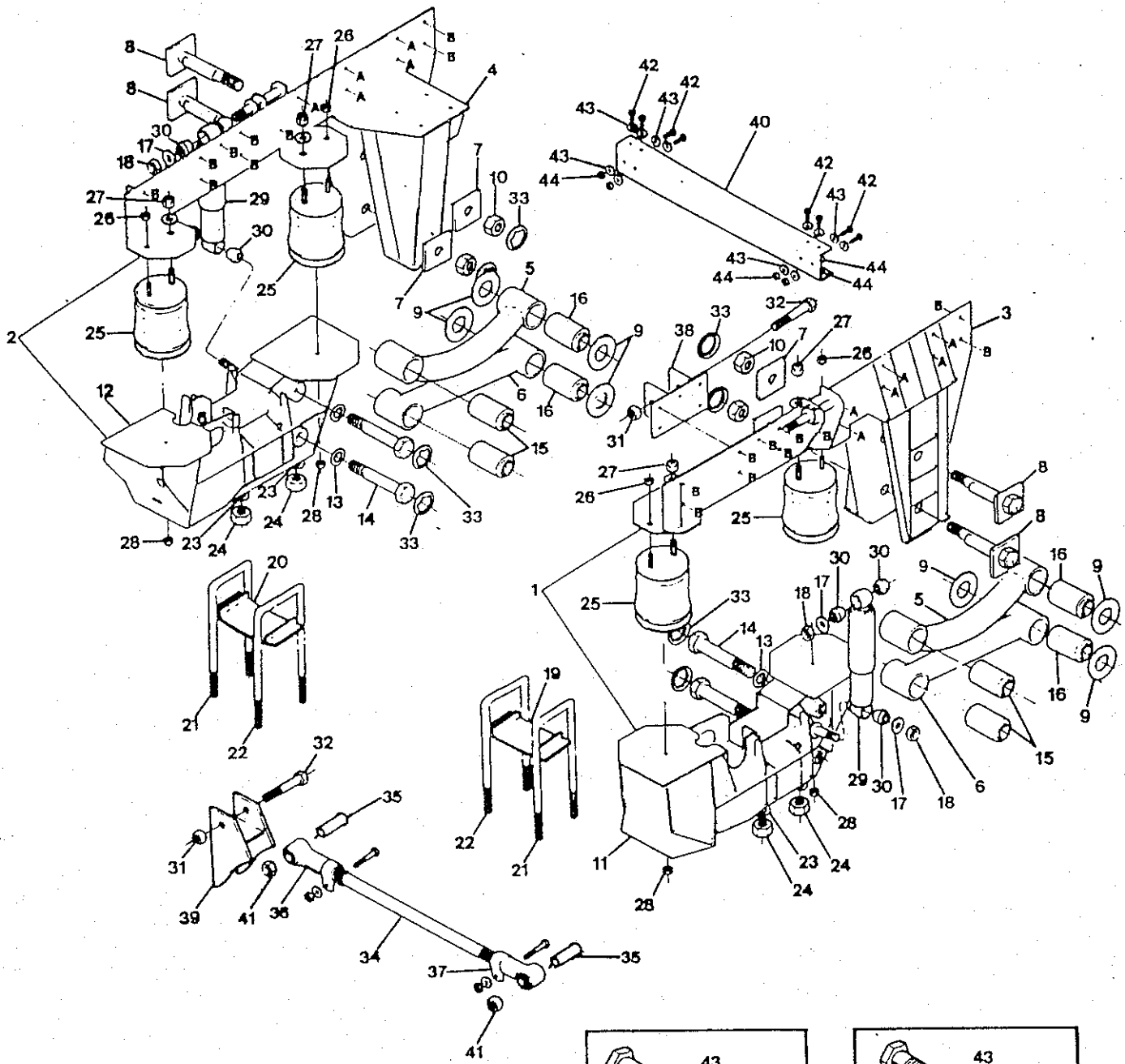
| KEY NO. | PART NO. | DESCRIPTION | QTY REQ'D |
|---------|----------|--|-----------|
| 1 | 1216837 | HANGER & BEAM ASSY., RH | |
| 2 | 1216845 | HANGER & BEAM ASSY., LH | |
| 3 | 1141258 | HANGER RAIL ASSY., RH | |
| 4 | 1141266 | HANGER RAIL ASSY., LH | |
| 5 | 1026368 | TORQUE BEAM ASSY., UPPER | |
| 6 | 0961821 | TORQUE BEAM ASSY., LOWER | |
| 7 | 0961839 | CLAMPING PLATE ASSY. | 4 |
| 8 | 0961847 | BOLT ASSY., ECCENTRIC | 4 |
| 9 | 0962118 | WASHER, BEARING SLEEVE | 8 |
| 10 | 1077221 | NUT, HEX, LOCKING, 1 1/4"-7 CADMIUM | 4 |
| 11 | 1216852 | BEAM ASSY., LOWER, RH | |
| 12 | 1216860 | BEAM ASSY., LOWER, LH | |
| 13 | 0961409 | BOLT, HEX HEAD, 1 1/2"-6 X 7" LONG | 4 |
| 14 | 0961417 | WASHER, LOCK, INT. TOOTH, 1 1/2" | 4 |
| 15 | 0961573 | BUSHING, TORQUE BEAM, SOFT RUBBER | 4 |
| 16 | 0961581 | BUSHING, TORQUE BEAM, HARD RUBBER | 4 |
| 17 | 1087329 | WASHER, 2" O.D., SHOCK STUD | 4 |
| 18 | 1105782 | NUT, HEX, LOCKING, 1"-8 | 4 |
| 19 | 0961425 | AIR SPRING, FRONT | 4 |
| 20 | 0961458 | NUT, HEX, LOCKING, 1/2"-13 | 8 |
| 21 | 0985549 | NUT, HEX, LOCKING, 3/4"-16 | 4 |
| 22 | 1085489 | NUT, HEX, NYLON INSERT, 1"-8 | 2 |
| 23 | 1085380 | BOLT, HEX, GD. 8, 1"-8 X 6" | 2 |
| 24 | 1026400 | CHANNEL, CROSSBRACE | |
| 25 | 0961375 | WASHER, ANTI-TURN | 4 |
| 26 | 1004167 | SHOCK ABSORBER, KONI (BUSHINGS INCLUDED) | 2 |
| 27 | 0614982 | BUSHING, SHOCK ABSORBER | |
| 28 | 1135540 | SWAY BAR ASSY. | |
| 29 | 0850776 | WASHER, FLAT 17/32 X 1 1/16 | |
| 30 | 0850800 | NUT, HEX LOCKING 1/2-13 GD. 8 | |
| 31 | 0803239 | BOLT, HEX 1/2-13 X 1 1/2 GD. 8 | |
| 32 | 0803148 | BOLT, HEX 1/2-13 X 1 3/4 GD. 8 | |
| 33 | 2122208 | END ASSY., SWAY BAR, RH | |
| 34 | 2122216 | END ASSY., SWAY BAR, LH | |
| 35 | 2122224 | BUSHING, SWAY BAR | |
| NI | 0871376 | LEVELING VALVE | |
| NI | 1028786 | LINK ASSY., LEVELING VALVE | |
| NI | 0961649 | BRACKET, MOUNTING, LEVELING VALVE | |

QUANTITY REQUIRED IS ONE UNLESS OTHERWISE SPECIFIED.



SUSPENSION SYSTEM DRIVE AXLE

DR. 8-1-85 BY JLR
 APP. 8-1-85 BY DVB
 8004368
 FRONT
 © 1985 BLUE BIRD BODY COMPANY
 ALL RIGHTS RESERVED



SUSPENSION SYSTEM
DRIVE AXLE

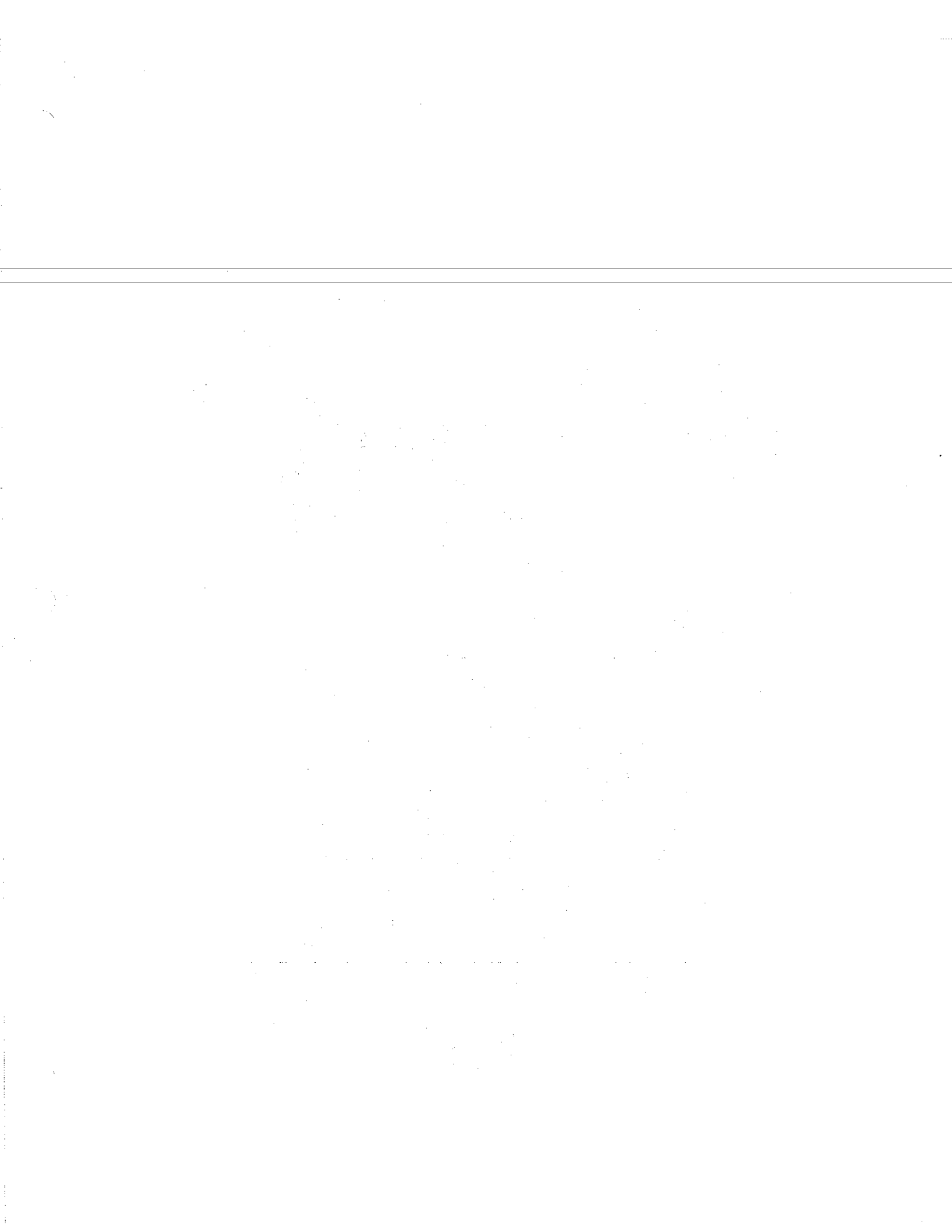
| KEY NO. | PART NO. | DESCRIPTION | QTY REQ'D |
|---------|----------|--------------------------------------|-----------|
| 1 | 1088996 | HANGER & BEAM ASSY., RH | |
| 2 | 1089002 | HANGER & BEAM ASSY., LH | |
| 3 | 0990085 | HANGER RAIL ASSY., RH | |
| 4 | 0976969 | HANGER RAIL ASSY., LH | |
| 5 | 1026368 | TORQUE BEAM ASSY., UPPER | |
| 6 | 0961821 | TORQUE BEAM ASSY., LOWER | |
| 7 | 0961839 | CLAMPING PLATE ASSY | 4 |
| 8 | 0961847 | BOLT ASSY., ECCENTRIC | 4 |
| 9 | 0962118 | WASHER, BEARING SLEEVE | 8 |
| 10 | 1077221 | NUT, HEX, LOCKING, 1 1/4"-7 | 4 |
| 11 | 1089010 | BEAM ASSY., RH | |
| 12 | 1089028 | BEAM ASSY., LH | |
| 13 | 0961417 | WASHER, LOCK, INT. TOOTH 1 1/2" | 4 |
| 14 | 0961409 | BOLT, HEX HEAD, 1 1/2"-6 X 7" | 4 |
| 15 | 0961573 | BUSHING, TORQUE BEAM, SOFT RUBBER | 4 |
| 16 | 0961581 | BUSHING, TORQUE BEAM, HARD RUBBER | 4 |
| 17 | 1087329 | WASHER, 2" O.D., SHOCK STUD | 4 |
| 18 | 1105782 | NUT, HEX, LOCKING, 1"-8 NYLON INSERT | 4 |
| 19 | 1087337 | SPACER PLATE ASSY., RH | |
| 20 | 1087345 | SPACER PLATE ASSY., LH | |
| 21 | 0961201 | U-BOLT, 7/8"-14 X 14" | 2 |
| 22 | 1087352 | U-BOLT, 7/8"-14 X 14 1/2" X 5 1/8" | 2 |
| 23 | 0961235 | WASHER, FLAT, 7/8" | 8 |
| 24 | 1095892 | NUT, HEX HI-NUT, 7/8"-14, GD. 5 | 8 |
| 25 | 0961250 | AIR SPRING | 4 |
| 26 | 0961458 | NUT, HEX, LOCKING, 1/2"-13 | 4 |
| 27 | 0985549 | NUT, HEX, LOCKING, 3/4"-16, GD. 5 | 4 |
| 28 | 0961276 | NUT, HEX, LOCKING, 3/4"-10 | 4 |
| 29 | 0961284 | SHOCK ABSORBER | 2 |
| 30 | 0961474 | BUSHING, SHOCK ABSORBER | 8 |
| 31 | 1085489 | NUT, 1"-8, HEX, NYLON INSERT | 2 |
| 32 | 1085380 | BOLT, 1"-8 X 6", HEX, GD. 8 | 2 |
| 33 | 0961375 | WASHER, ANTI-TURN | 4 |
| 34 | 0961300 | SWAY BAR ASSY. | |
| 35 | 2122224 | BUSHING ONLY, SWAY BAR END | 2 |
| 36 | 2122216 | END ASSY., SWAY BAR, LH | |
| 37 | 2122208 | END ASSY., SWAY BAR, RH | |
| 38 | 1087360 | BRACKET, SWAY BAR MOUNT, FRAME | |
| 39 | 1089036 | BRACKET, SWAY BAR MOUNT, AXLE | |
| 40 | 1105758 | CHANNEL, CROSSBRACE | |
| NI | 1101062 | PLATE, ANTI-TURN | |
| 42 | 0803239 | BOLT, HEX 1/2-13 X 1 1/2, GD. 8 | |
| 43 | 0850776 | WASHER, FLAT 17/32 X 1 1/16 | |
| 44 | 0850800 | NUT, HEX LOCKING 1/2-13, GD. 8 | |
| 45 | 0803205 | BOLT, HEX 1/2-13 X 2, GD. 8 | |
| 46 | 0803148 | BOLT, HEX, 1/2-13 X 1 3/4, GD. 8 | |
| NI | 0871376 | LEVELING VALVE | 2 |
| NI | 1028778 | LINK ASSY., LEVELING ADJUSTING VALVE | 2 |
| NI | 0961649 | BRACKET, MOUNTING, LEVELING VALVE | |

QUANTITY REQUIRED IS ONE UNLESS OTHERWISE SPECIFIED.

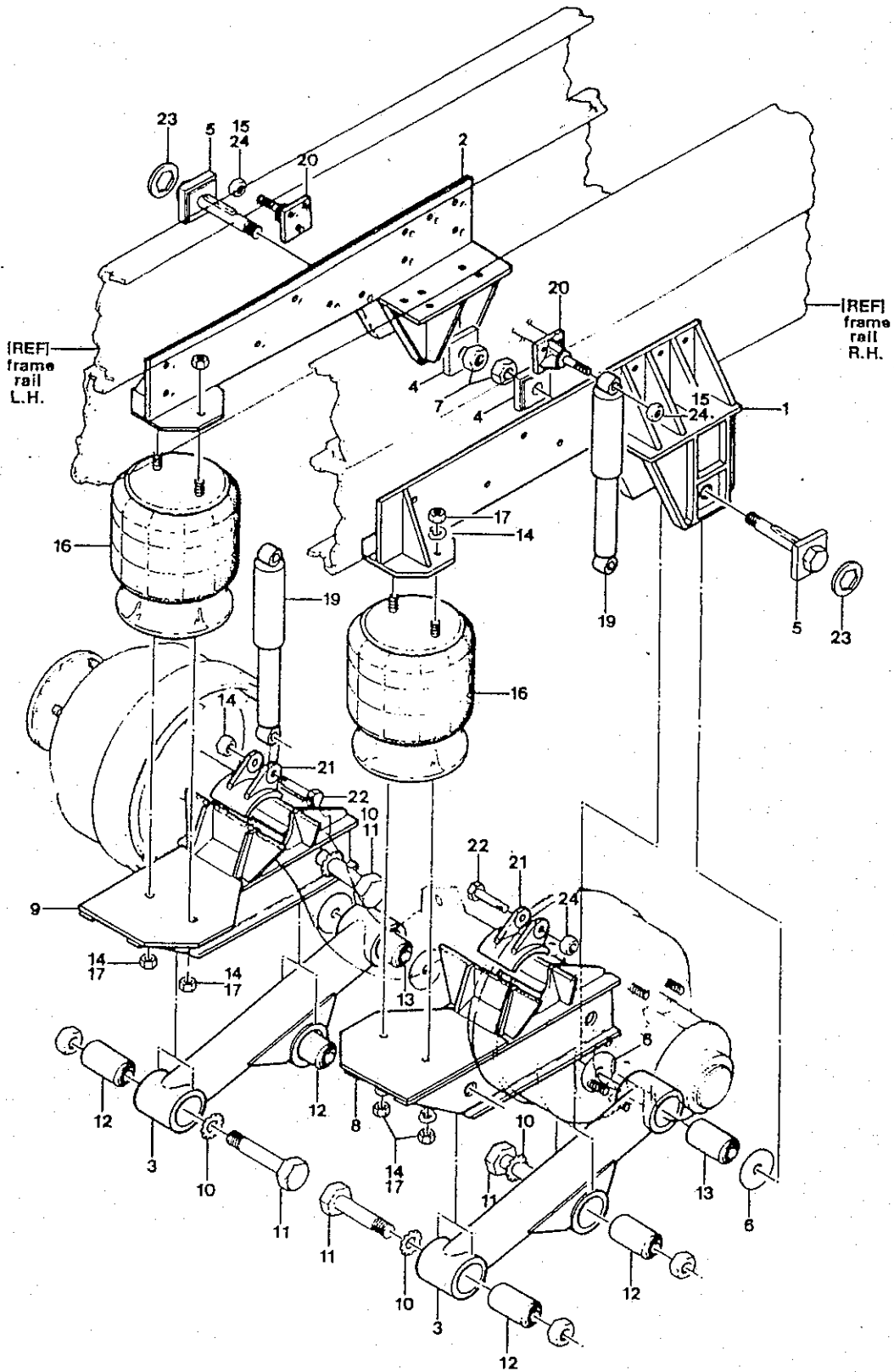
()

()

()



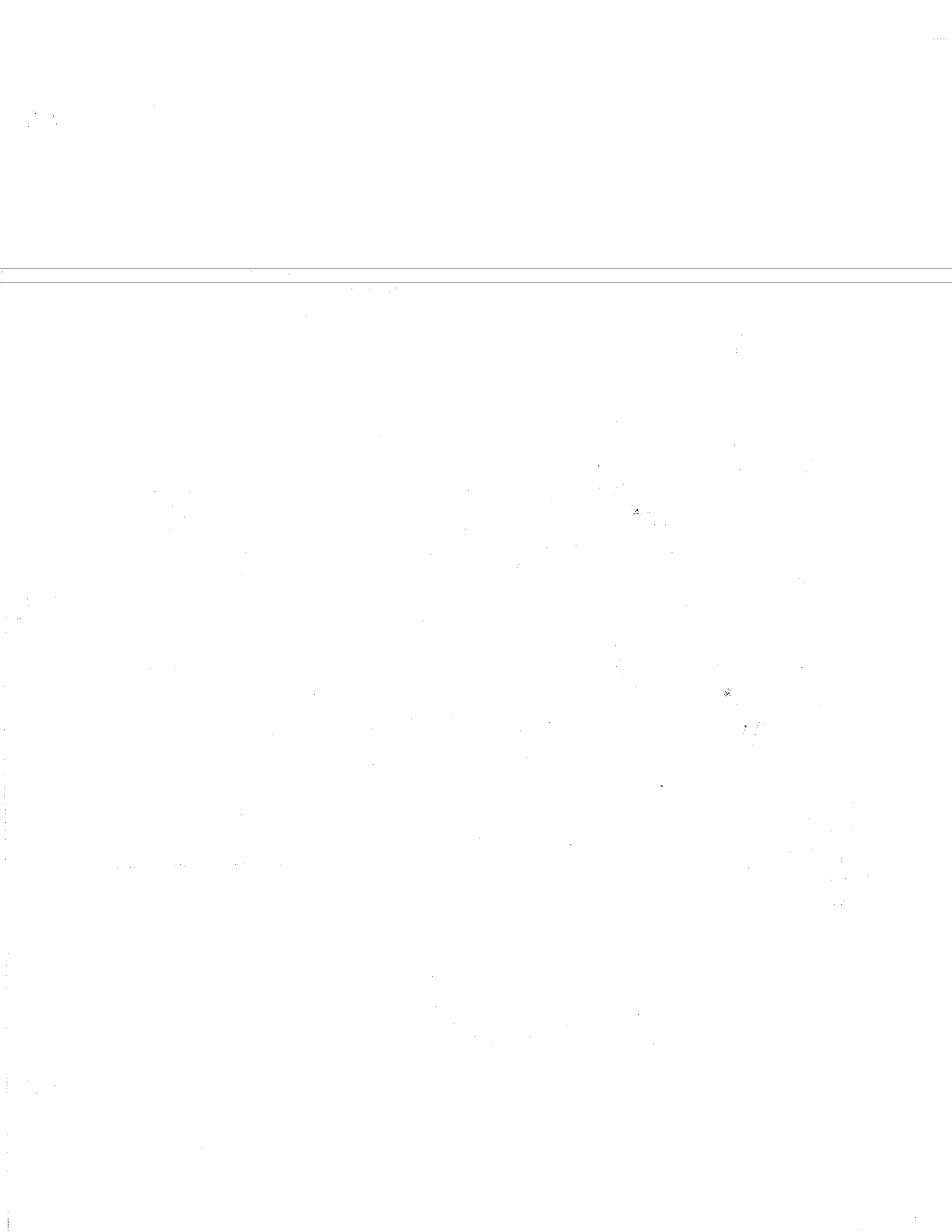
SUSPENSION SYSTEM TAG AXLE



SUSPENSION SYSTEM
TAG AXLE

| KEY NO. | PARTNO. | DESCRIPTION | QTY REQ'D |
|---------|---------|------------------------------------|-----------|
| 1 | 0990572 | HANGER RAIL ASSY., RH | |
| 2 | 0990630 | HANGER RAIL ASSY., LH | |
| 3 | 0990580 | TORQUE BEAM ASSY. | |
| 4 | 0990598 | CLAMPING PLATE ASSY. | 2 |
| 5 | 0990606 | BOLT ASSY., ECCENTRIC | 2 |
| 6 | 0990614 | WASHER, BEARING SLEEVE | 4 |
| 7 | 1077221 | NUT, HEX, LOCKING, 1 1/4"-7 | 2 |
| 8 | 0990622 | BEAM ASSY., RH | |
| 9 | 0990648 | BEAM ASSY., LH | |
| 10 | 0961417 | WASHER, INT. TOOTH, LOCK, 1 1/2" | 4 |
| 11 | 0961409 | BOLT, HEX HEAD, 1 1/2"-6 X 7" | 4 |
| 12 | 0961573 | BUSHING, TORQUE BEAM, SOFT RUBBER | 4 |
| 13 | 0961581 | BUSHING, TORQUE BEAM, HARD RUBBER | 2 |
| 14 | 0990655 | WASHER, LOCK, 1/2" | 6 |
| 15 | 0990663 | WASHER, FLAT, 3/4" | 2 |
| 16 | 0990671 | AIR SPRING | 2 |
| 17 | 0961441 | NUT, HEX, 1/2"-20 | 6 |
| 18 | 0985549 | NUT, HEX, LOCKING 3/4"-16, GD. 5 | 2 |
| 19 | 0990705 | SHOCK ABSORBER | 2 |
| 20 | 1206515 | BRACKET, SHOCK, UPPER | 2 |
| 21 | 0990721 | BRACKET, SHOCK MOUNT, AXLE | 2 |
| 22 | 0963322 | BOLT, HEX, 3/4"-10 X 3 1/2", GD. 8 | 2 |
| 23 | 0961375 | WASHER, ANTI-TURN | 4 |
| 24 | 0933879 | NUT, HEX, 3/4"-10, GD. 8 | 2 |

QUANTITY REQUIRED IS ONE UNLESS OTHERWISE SPECIFIED.

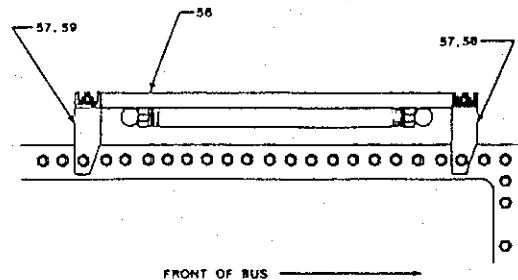
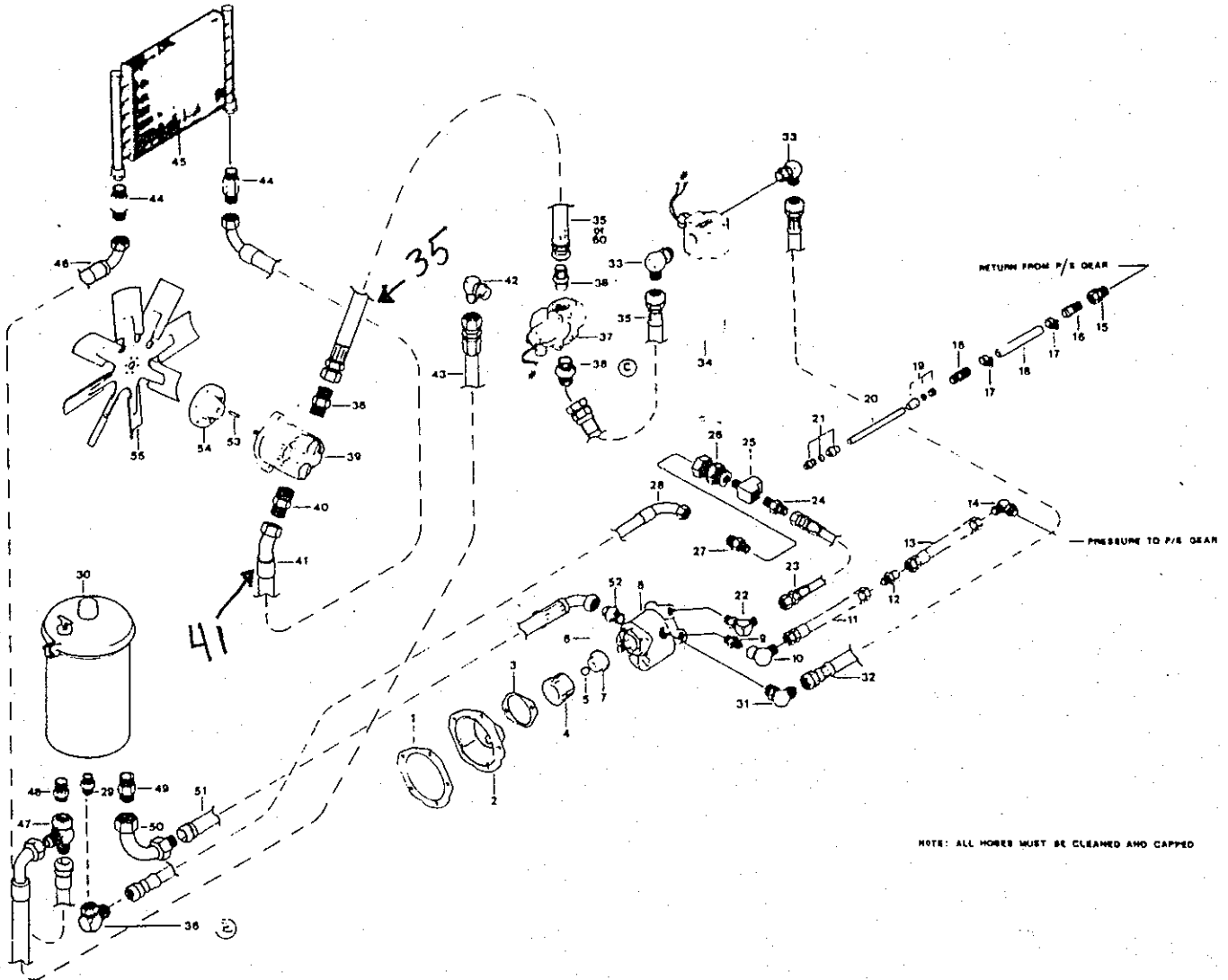


HYDRAULIC SYSTEM GM 6V92TA & GM 8V92TA

| | | |
|-------|---------------------|---------|
| FRONT | DR7-25-85 BY JLR | 8004236 |
| | APP. 7-23-85 BY JLR | |

© 1985 BLUE BIRD BODY COMPANY
ALL RIGHTS RESERVED

RPM - Idle
PSI - 2000
GPM - 4.5



HYDRAULIC SYSTEM
GM 6V92TA & GM 8V92TA

| KEY NO. | PART NO. | DESCRIPTION | QTY REQ'D |
|---------|----------|---|-----------|
| 1 | 0968404 | GASKET, ADAPTER | |
| 2 | 0991836 | ADAPTER, POWER STEERING PUMP | |
| 3 | 0991828 | GASKET, HYD. PUMP | |
| NI | 0668418 | DISC DRIVE, POWER STEERING PUMP | |
| 4 | 0968446 | COUPLING ACCESSORY DRIVE | |
| 5 | 1141993 | RETAINER, SPROCKET, HYDRAULIC PUMP | |
| 6 | 0968453 | PIN, ROLL | |
| 7 | 1072966 | GEAR, HYDRAULIC PUMP | |
| 8 | 1168137 | PUMP, HYDRAULIC - 1422898 | |
| NI | 2158095 | SEAL KIT, HYDRAULIC PUMP - 2123040 | |
| 9 | 1166115 | CONNECTOR, SAE 37 DEG. | |
| 10 | 1198811 | ELBOW, 90 DEG., FEMALE, SAE 37 DEGREE FLARE | |
| 11 | 1165059 | HOSE ASSY., PRESSURE, POWER STEERING, 1/2 I.D. 60" LONG | |
| 12 | 1200344 | UNION, MALE, SAE 37 DEG. FLARE | |
| 13 | | HOSE ASSY., PRESSURE, POWER STEERING, 1/2 I.D. | |
| | 1165075 | 364" LONG (233 W.B. ONLY) | |
| | 1165042 | 385" LONG (240 W.B. ONLY) | |
| | 1165018 | 335" LONG (212 W.B. ONLY) | |
| 14 | 1166107 | ELBOW, 90 DEG., SAE 37 DEG. FLARE | |
| 15 | 0876649 | ADAPTER, SWIVEL UNION | |
| 16 | 0413146 | INSERT, BARBED 5/8 I.D. HOSE X 3/8 PIPE | 2 |
| 17 | 1025857 | CLAMP, HOSE SIZE 8, LINED | 2 |
| 18 | 0668434 | HOSE, RETURN, POWER STEERING | 72 |
| 19 | 1204395 | CONNECTOR, 5/8 TUBE TO 3/8 FPT | |
| 20 | 2027407 | TUBE, 5/8 COPPER TUBING, 1/2 (233 W.B. ONLY) | * |
| 21 | 2023356 | CONNECTOR, 1/2 MPT X 5/8 TUBE | |
| 22 | 1169226 | ADAPTER, 90 ADJUSTABLE ELBOW, 5/8 O-RING X 5/8 HOSE, 37 DEG. STEEL FLARE | |
| 23 | 1169234 | HOSE ASSY., 1/2 I.D. | |
| 24 | 1169218 | ADAPTER, 1/2 MPT X 5/8 HOSE, 37 DEG. FLARE | |
| 25 | 0654350 | TEE, STREET, 1/2 PIPE 3750 X 8 | |
| 26 | 1153600 | COUPLING, ANCHOR, 1/2 MPT | |
| 27 | 1169200 | ADAPTER, 1/2 MPT X 3/4 HOSE, 37 DEG. FLARE | |
| 28 | 1169242 | HOSE ASSY., 5/8 I.D. | |
| 29 | 0809608 | CONNECTOR, TRAN COOLING | |
| 30 | 1223957 | RESERVOIR, 16 QUART, NELSON POSITIVE VENT | |
| NI | 2138246 | ELEMENT, HYD. RESERVOIR - 3 required ← | |
| NI@ | 2139459 | BREATHER, CHROME, RESERVOIR | |
| NI | 2139442 | WING NUT, ELEMENT RETAINING | |
| NI | 2139434 | SPRING, ELEMENT RETAINING | |
| NI@ | 2139400 | DIPSTICK, HYD. RESERVOIR | |
| NI | 2139426 | BRACKET, MOUNTING, RESERVOIR | |
| NI@ | 2139467 | CLAMP, BAND, RESERVOIR COVER | |
| | | * NOTE: SOLD IN FEET | |

QUANTITY REQUIRED IS ONE UNLESS OTHERWISE SPECIFIED.

HYDRAULIC SYSTEM
GM 6V92TA & GM 8V92TA

| KEY NO. | PART NO. | DESCRIPTION | QTY REQ'D |
|---------|----------|--|-----------|
| NI@ | 2138261 | O-RING, RESERVOIR COVER | |
| NI | 2138824 | COVER ASSY., HYD. RESERVOIR (INCLUDED ITEMS WITH @) | |
| 31 | 0964908 | ADAPTER, 37 DEG. | |
| 32 | 1211226 | HOSE ASSY. | |
| 33 | 1056076 | ADAPTER, 37 DEG. STEEL FLARE | 2 |
| 34 | 1219260 | FILTER ASSY., HYDRAULIC FAN WITH ELECTRICAL INDICATOR | |
| NI | 2122026 | ELEMENT, HIGH PRESSURE FILTER | |
| NI | 2137024 | O-RING, BOWL, HIGH PRESSURE FILTER | |
| 35 | | HOSE ASSY. | |
| | 1205079 | 212 W.B. | |
| | 1211184 | 233, 240 W.B. | |
| 36 | 1056118 | ADAPTER, 90 DEG. SWIVEL ELBOW | |
| 37 | 1169267 | VALVE, RELIEF, WEBSTER | |
| NI | 2136687 | SEAL KIT, RELIEF VALVE | |
| 38 | 1042878 | ADAPTER, IMPERIAL EASTMAN | 3 |
| 39 | 1168145 | MOTOR, 7/8" DIA. SHAFT — 1260918 | |
| NI | 2123099 | SEAL KIT, HYDRAULIC MOTOR | |
| 40 | 1073022 | ADAPTER, 37 DEG. STEEL FLARE, PARKER | |
| 41 | 1216134 | HOSE ASSY. | |
| 42 | 1209949 | ADAPTER ASSY., ELBOW HYDRAULIC | |
| 43 | 1216126 | HOSE ASSY., 42 LONG | 2 |
| 44 | 1155647 | ADAPTER, 1" PIPE TO HOSE | |
| 45 | 1206119 | COOLER, HAYDEN, 18 X 24 | |
| 46 | | HOSE ASSY. | |
| | 1216142 | 26 LONG (233 & 240 W.B.) | |
| | 1216209 | 22 LONG (212 W.B.) | |
| 47 | 1216084 | ADAPTER, TEE, RUN, 1" WITH 37 DEG. FLARE FEMALE SWIVEL | |
| 48 | 1107697 | ADAPTER, DEGREE STEEL FLARE | |
| 49 | 1128552 | CONNECTOR, PIPE, 37 DEGREE FLARE | |
| 50 | 1151232 | ADAPTER, 1 1/4 CURVED, 37 DEG. | |
| 51 | 1133065 | HOSE ASSY., OIL COOLER | |
| 52 | 1128560 | CONNECTOR, O-RING | |
| 53 | | KEY, HUB HYDRAULIC MOTOR, 3/16 (INCLUDED W/MOTOR #39) | |
| 54 | 1205798 | HUB, FAN, HYDRAULIC | |
| 55 | 1168129 | FAN ASSY., 38" | |
| 56 | 1101344 | CHANNEL ASSY., MOUNTING OIL COOLER | |
| 57 | | BRACKET ASSY., MOUNTING HYD. OIL COOLER, UPPER | 2 |
| | 1163385 | (233 & 240 W.B.) | 2 |
| | 1197938 | (212 W.B.) | |

QUANTITY REQUIRED IS ONE UNLESS OTHERWISE SPECIFIED.

()

()

()

HYDRAULIC SYSTEM
GM 6V92TA & GM 8V92TA

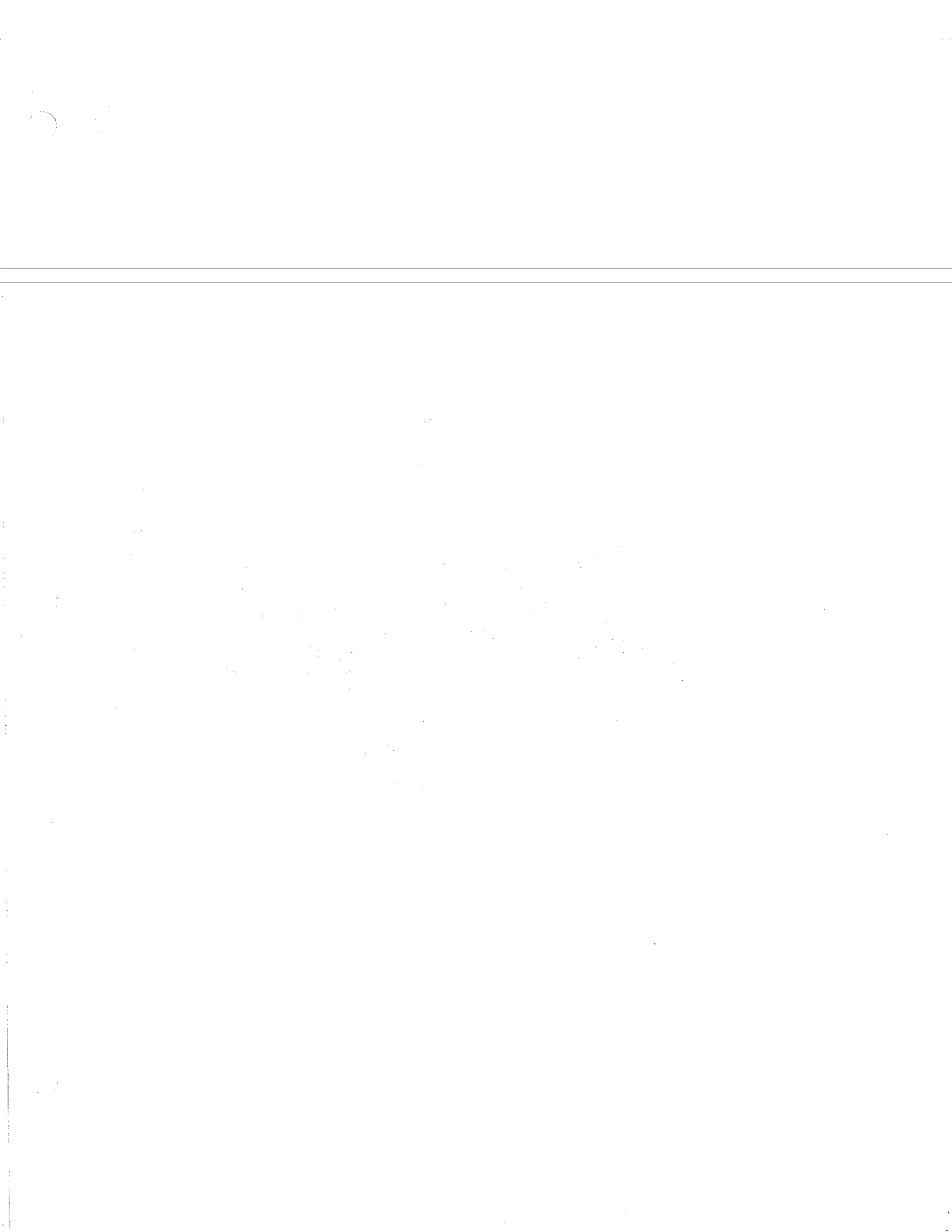
| KEY NO. | PART NO. | DESCRIPTION | QTY REQ'D |
|---------|----------|---|-----------|
| 58 | 1168624 | BRACKET, MOUNTING, OIL COOLER, LOWER, FRONT | |
| 59 | 1216480 | BRACKET, MOUNTING, OIL COOLER, LOWER, REAR | |
| NI | 1206127 | KIT, TRANS., COOLER MOUNT | 2 KITS |
| NI | 1212133 | NUT, 5/8-18, NYLOK, GD. 8, CAD. PLTD. | |
| NI | 0870907 | WASHER, FLAT, 5/8 HARDENED | |
| NI | 1157056 | DECAL, OIL, HYDRAULIC FAN DRIVE SYSTEM | |
| NI | 1143973 | PLUG, PIPE, 1" | 2 |
| NI | 1148998 | SWITCH, TEMPERATURE CONTROL, 195 DEG., HORTON | |

QUANTITY REQUIRED IS ONE UNLESS OTHERWISE SPECIFIED.

()

()

()

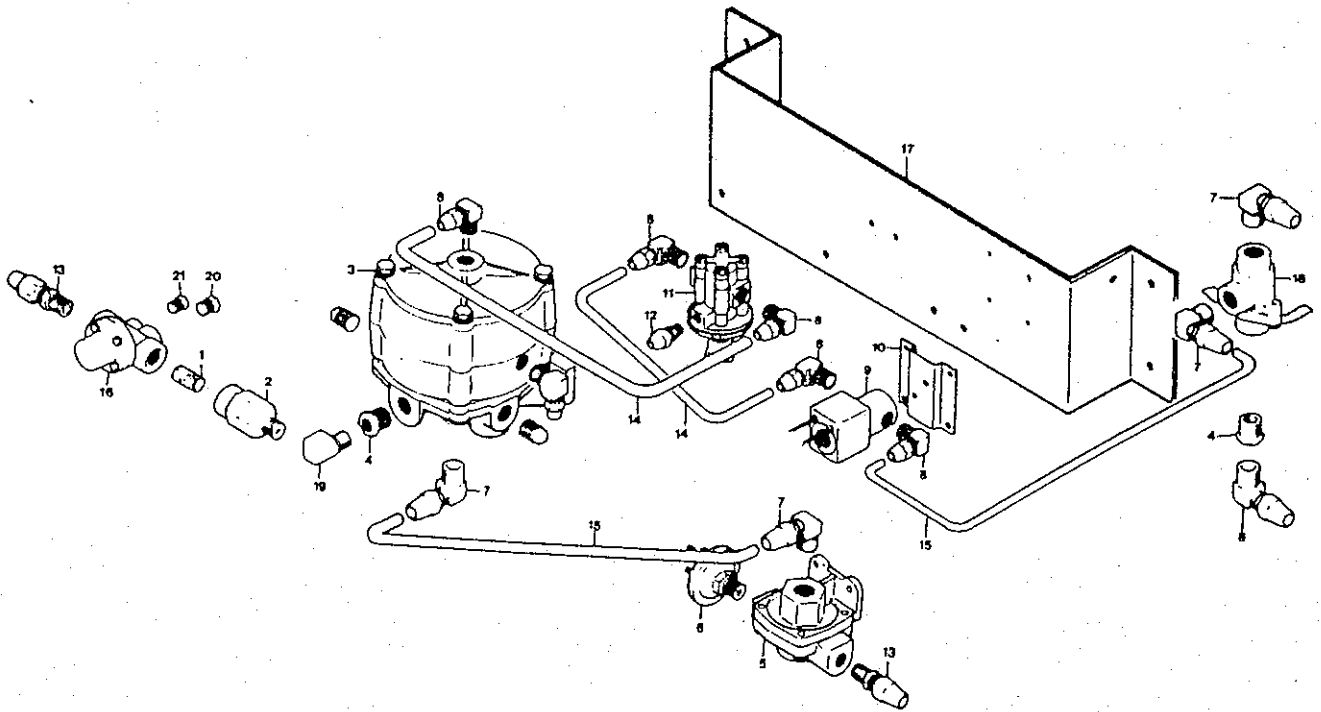


DR. 8-1-85 BY JLR
APP. 8-1-85 BY DVB 8004376

CONTROL MODULE TRANSMISSION RETARDER

FRONT

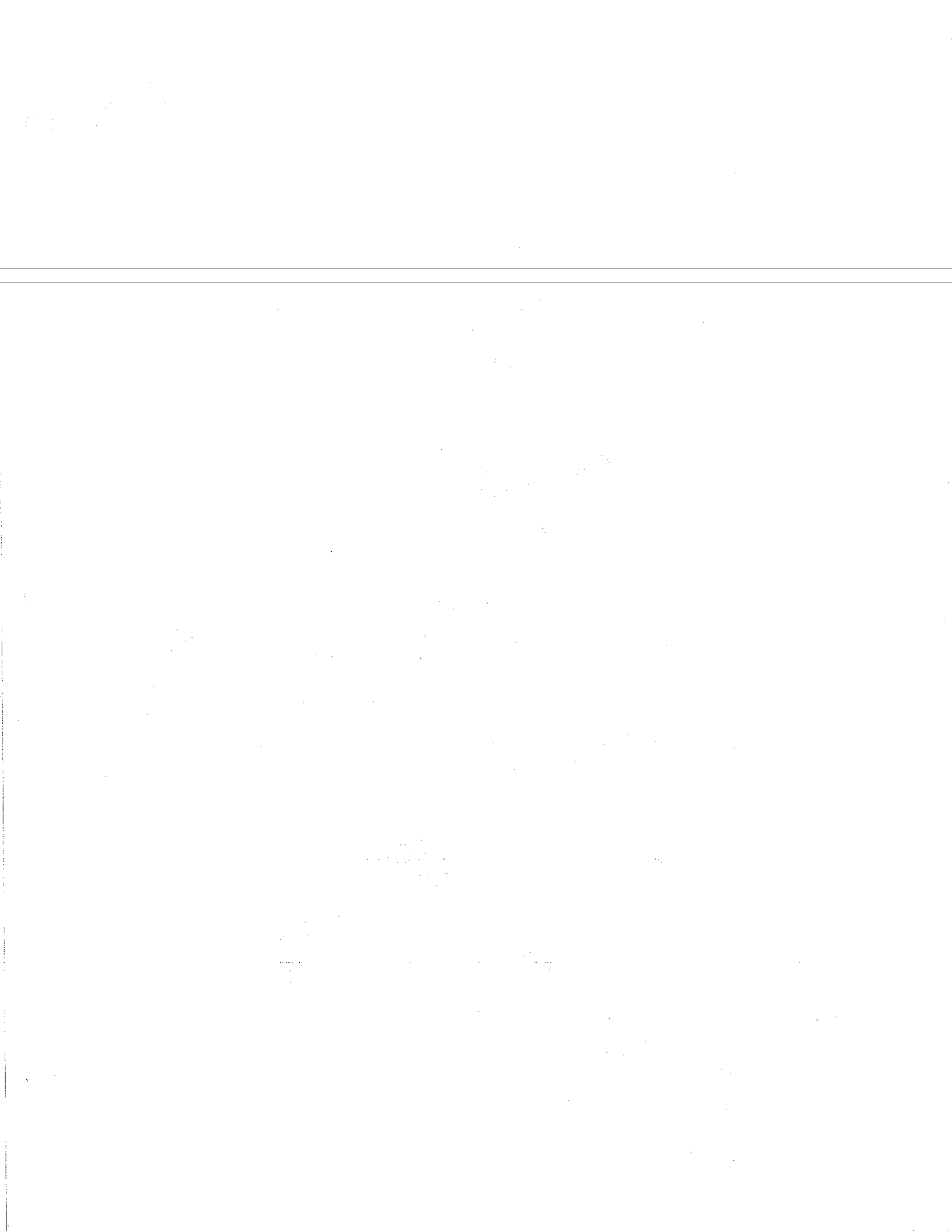
© 1985 BLUE BIRD BODY CO.
ALL RIGHTS RESERVED



CONTROL MODULE TRANSMISSION RETARDER

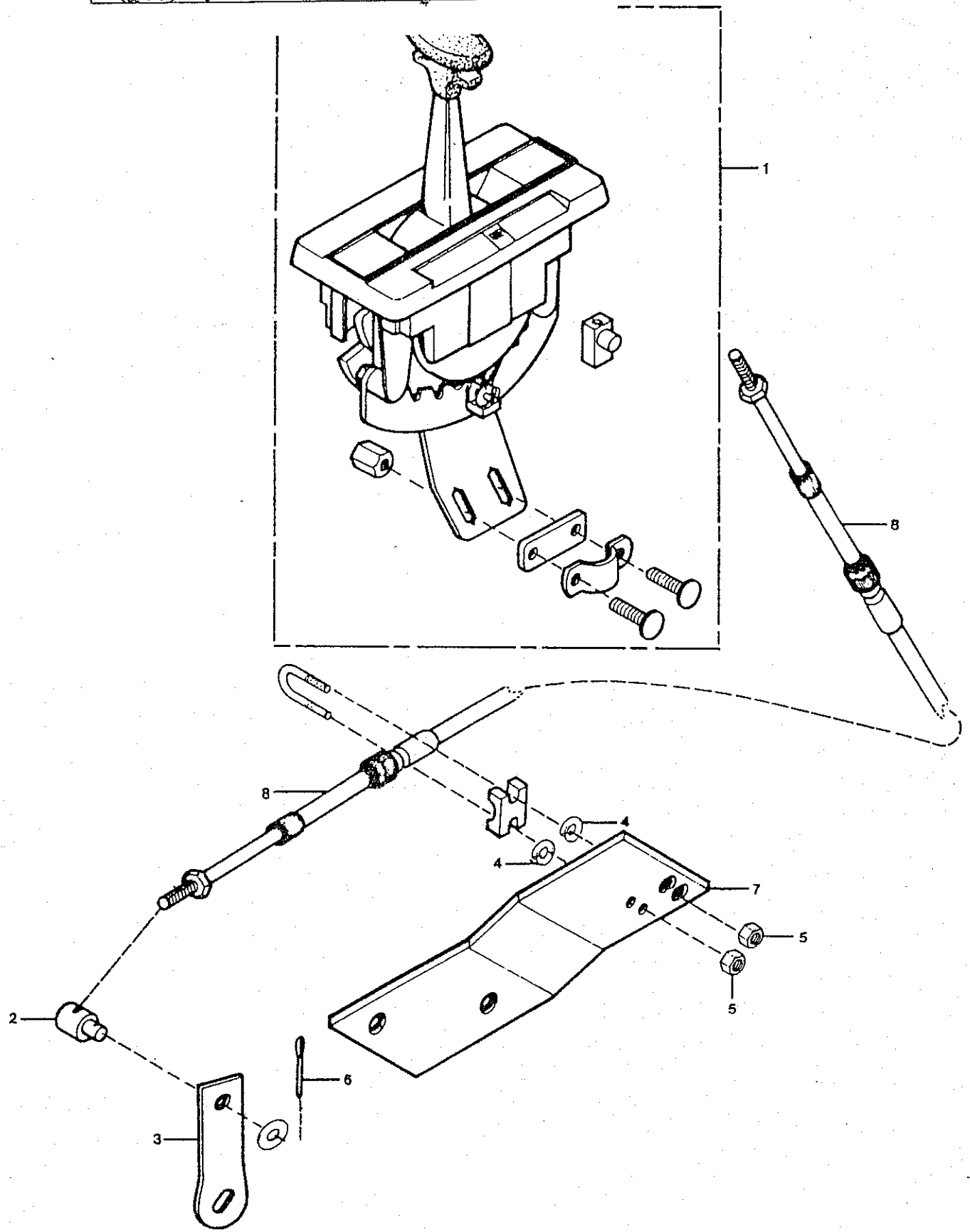
| KEY NO. | PART NO. | DESCRIPTION | QTY REQ'D |
|---------|----------|--|-----------|
| 1 | 2027183 | NIPPLE, 1/4 CLOSE | |
| 2 | 0962183 | FILTER, AIR | |
| 3 | 1167725 | VALVE, PROPORTIONING, RETARDER | |
| 4 | 2027134 | BUSHING, PIPE, 3/8 X 1/4, 3220 X 6 X 4 | |
| 5 | 1160464 | VALVE, QUICK RELEASE | |
| 6 | 0998740 | SWITCH, STOPLIGHT | |
| 7 | 2023265 | ELBOW, 3/8 MPT X 3/8 TUBE | |
| 8 | 2023935 | ELBOW, 1/4 MPT X 1/4 TUBE | |
| 9 | 1124551 | VALVE, SOLENOID | |
| 10 | 1124569 | BRACKET, MOUNTING, SOLENOID VALVE | |
| 11 | 0982280 | VALVE, RELAY PILOT CONTROL | |
| 12 | 2023570 | CONNECTOR, 1/8 MPT X 1/4 TUBE | |
| 13 | 2023182 | CONNECTOR, 1/4 MPT X 3/8 TUBE | |
| 14 | 2008431 | TUBING, COPPER, 1/4 | |
| 15 | 2027381 | TUBING, 3/8 COPPER, 1/4 TYPE L, WATER TUBE | |
| 16 | 0522508 | VALVE, PRESSURE PROTECTION | |
| 17 | 1167733 | BRACKET, MOUNTING, RETARDER CONTROLS | |
| 18 | 0654434 | VALVE, DOUBLE CHECK | |
| 19 | 2027233 | ELBOW, 1/4 STREET | |
| 20 | 0992297 | PLUG, PIPE 1/4 HEX | |
| 21 | 0992305 | PLUG, PIPE 1/8 HEX | |

QUANTITY REQUIRED IS ONE UNLESS OTHERWISE SPECIFIED.



| | | | | | |
|-------------------|----------------|---------|---------|------------|---|
| Post-it™ Fax Note | 7671 | Date | 4/28/97 | # of pages | 1 |
| To | FRAN REYNOLDS | From | KENNY | | |
| Co./Dept. | | Co. | | | |
| Phone # | (603) 352-3073 | Phone # | | | |
| Fax # | (603) 352-3331 | Fax # | | | |

DR. 8-19-85 BY LAD
 APP 8-19-85 BY CCN 8004533
 FRONT
 © 1985 BLUE BIRD BODY COMPANY
 ALL RIGHTS RESERVED



REMOTE CONTROL
GM 6V92TA

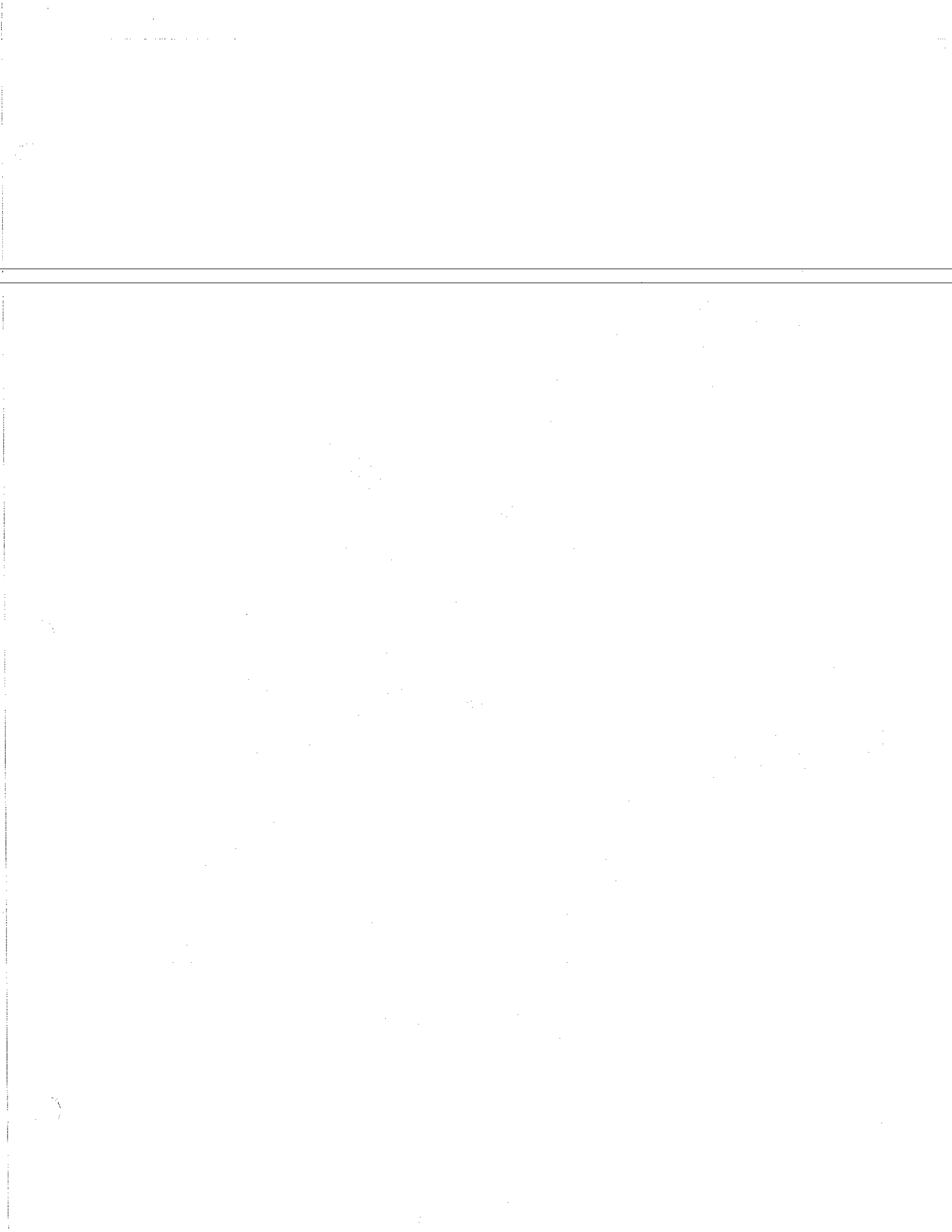
0313

| KEY NO. | PART NO. | DESCRIPTION | QTY REQ'D |
|---------|----------------|--|-----------|
| 1 | 3775806 | TOWER ASSY., TRANSMISSION CONTROL | |
| 2 | 0885343 | TRUNNION, TRANS. CONTROL CABLE | |
| 3 | 1210210 | LEVER SELECTOR TRANSMISSION | |
| 4 | 2001162 | WASHER, LOCK, 3/16 | |
| 5 | 2001295 | NUT | 2 |
| 6 | 2008860 | PIN, COTTER | 2 |
| 7 | 0884874 | BRACKET, TRANS. CONTROL MOUNTING | |
| 8 | | CABLE, TRANSMISSION SHIFT | |
| | | CABLE LENGTH BODY MODEL | |
| | 1126820 | 428" 3502 | |
| | 1126812 | 478" 40 3903 | |
| | 1206507 | 457" 38' 3706 | |
| | | <i>with 1/4 rod end</i> | |
| | | <i>38</i> | |
| | | <i>NOTE: The above cable's have been wrong - Part 0921841 fit * some units that were 40ft in length.</i> | |
| | | <i>3963?</i> | |
| | | <i>OK 9/13/90</i> | |
| | <i>0921866</i> | <i>3502 w 3/16" rod ends</i> | |

5 Speed LIGHTED 301411-B34

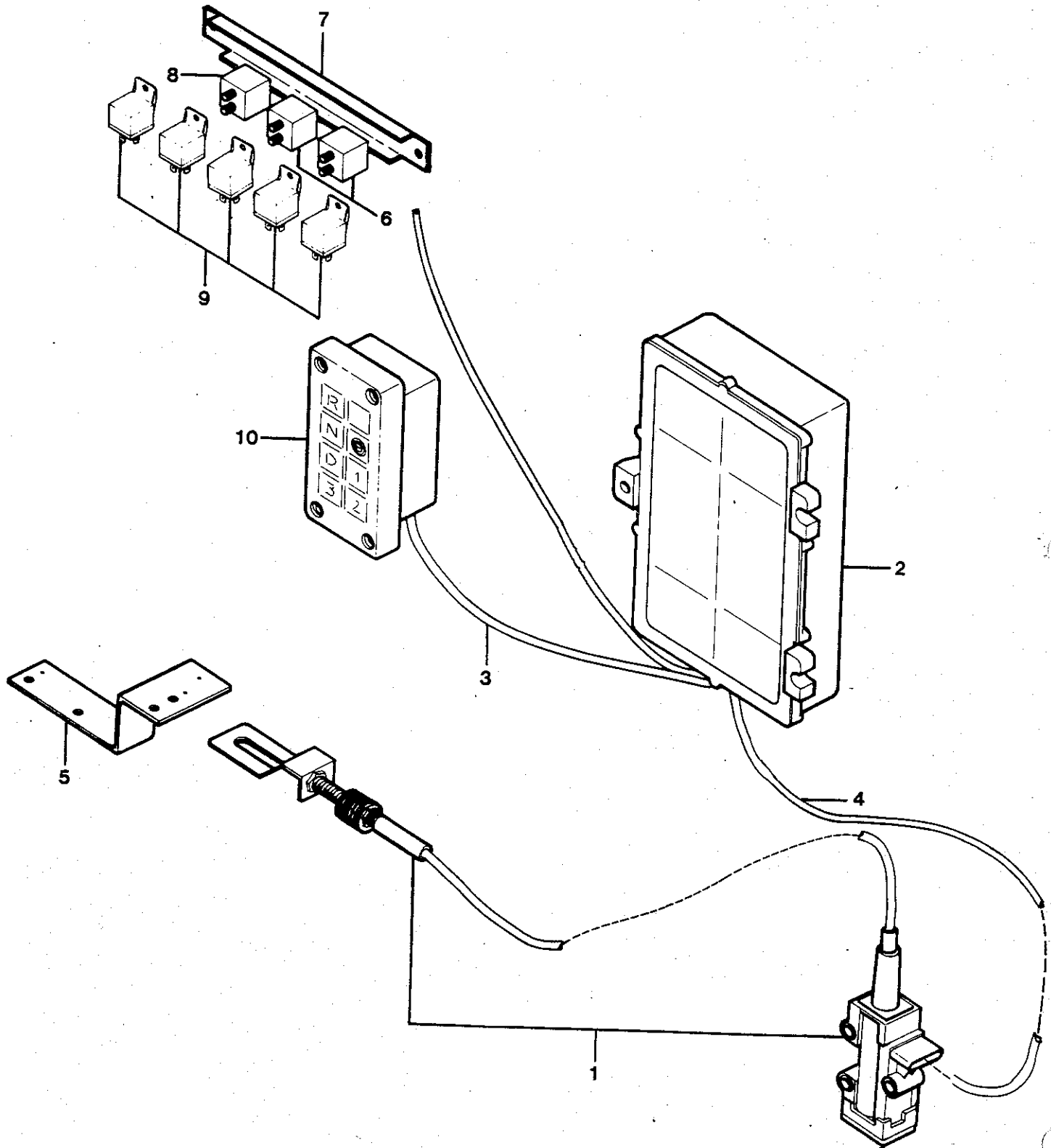
QUANTITY REQUIRED IS ONE UNLESS OTHERWISE SPECIFIED.





TRANSMISSION, ELECTRONIC INSTALLATION
GM 8V92TA

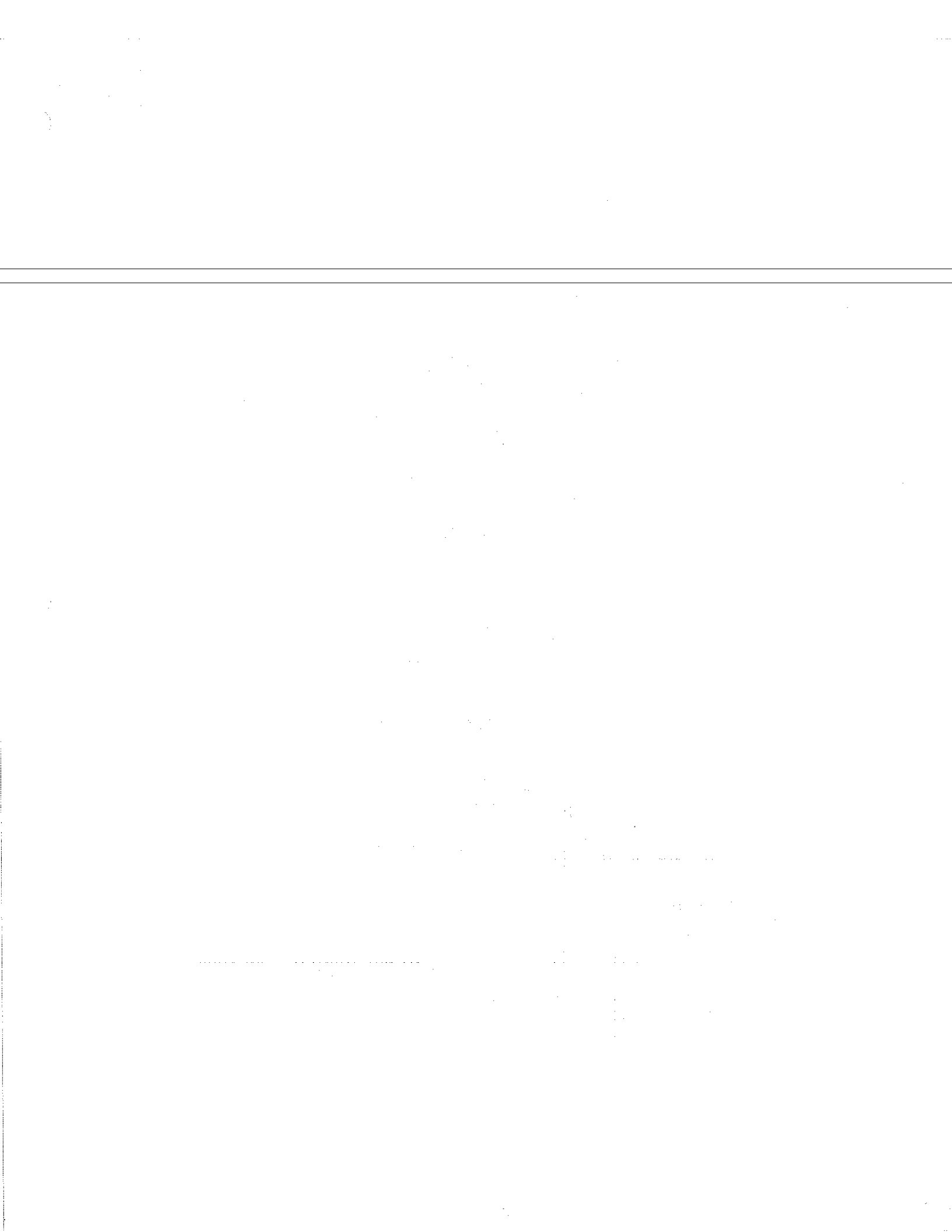
DR. 8-15-85 BY LAD
APP. 8-15-85 BY CCN 8004517
FRONT
© 1985 BLUE BIRD BODY COMPANY
ALL RIGHTS RESERVED



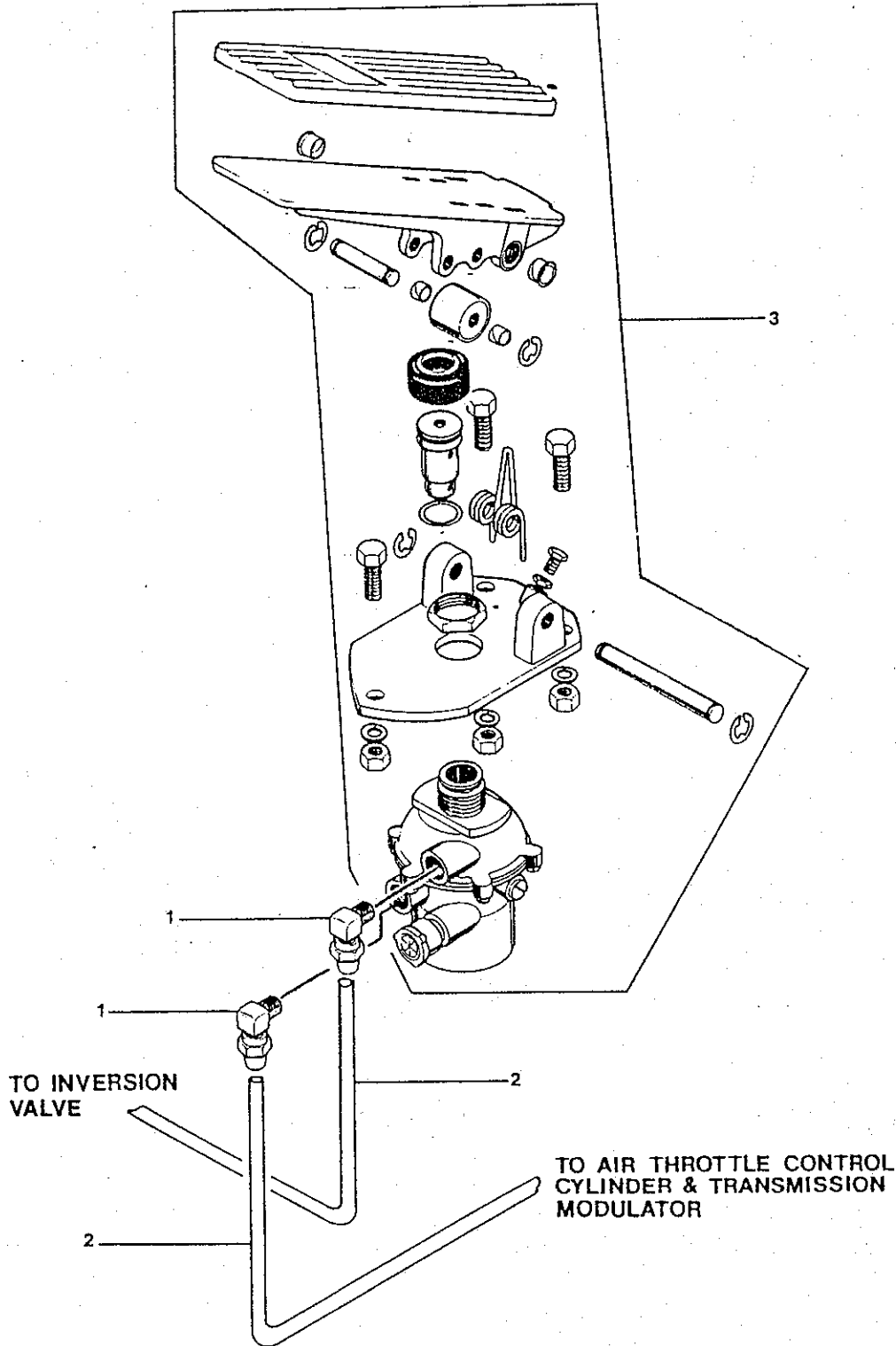
TRANSMISSION, ELECTRONIC INSTALLATION
GM 8V92TA

| KEY NO. | PART NO. | DESCRIPTION | QTY REQ'D |
|---------|----------|---|-----------|
| 1 | 1169127 | SENSOR, THROTTLE | |
| 2 | 1169135 | CONTROL UNIT, ELECTRONIC TRANSMISSION | |
| 3 | 1169143 | HARNESS, WIRING, CAB | |
| 4 | 1169150 | HARNESS, WIRING, CHASSIS | |
| 5 | 1159003 | BRACKET ASSY., SPRING RETURN, ACCELERATOR | |
| 6 | 0864660 | BREAKER, CIRCUIT, 6 AMP | 2 |
| 7 | 0984385 | BRACKET, CIRCUIT BREAKER, 7 CIRCUIT | |
| 8 | 1170869 | BREAKER, CIRCUIT, 8 AMP | |
| 9 | 1077718 | SOLENOID | 5 |
| 10 | 1232081 | SHIFT SELECTOR, TRANSMISSION ALLISON | |

QUANTITY REQUIRED IS ONE UNLESS OTHERWISE SPECIFIED.



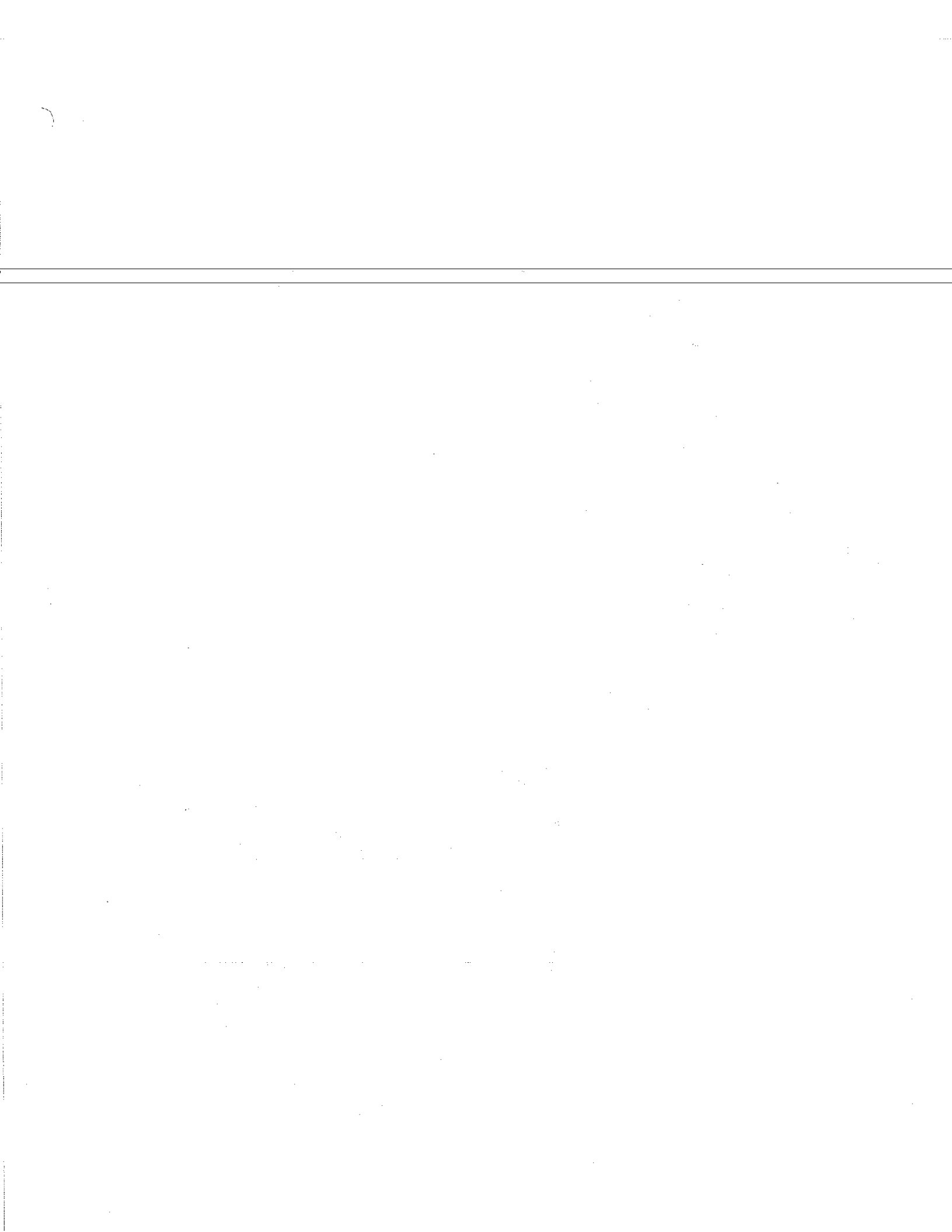
AIR THROTTLE CONTROL VALVE GM 6V92TA & GM 8V92TA



AIR THROTTLE CONTROL VALVE
GM 6V92TA & GM 8V92TA

| KEY NO. | PART NO. | DESCRIPTION | QTY REQ'D |
|---------|----------|------------------------------------|-----------|
| 1 | 2023935 | ELBOW, 1/4 MPT X 1/4 TUBE | 16 |
| 2 | 2008431 | TUBING, COPPER, 1/4 | |
| 3 | 0998161 | VALVE, AIR THROTTLE CONTROL | |
| NI | 2129583 | REPAIR KIT, THROTTLE CONTROL VALVE | |
| 4 | 2157915 | SPRING ASSY., THROTTLE VALVE AIR | |
| NI | 2138741 | VALVE ONLY, AIR THROTTLE | |

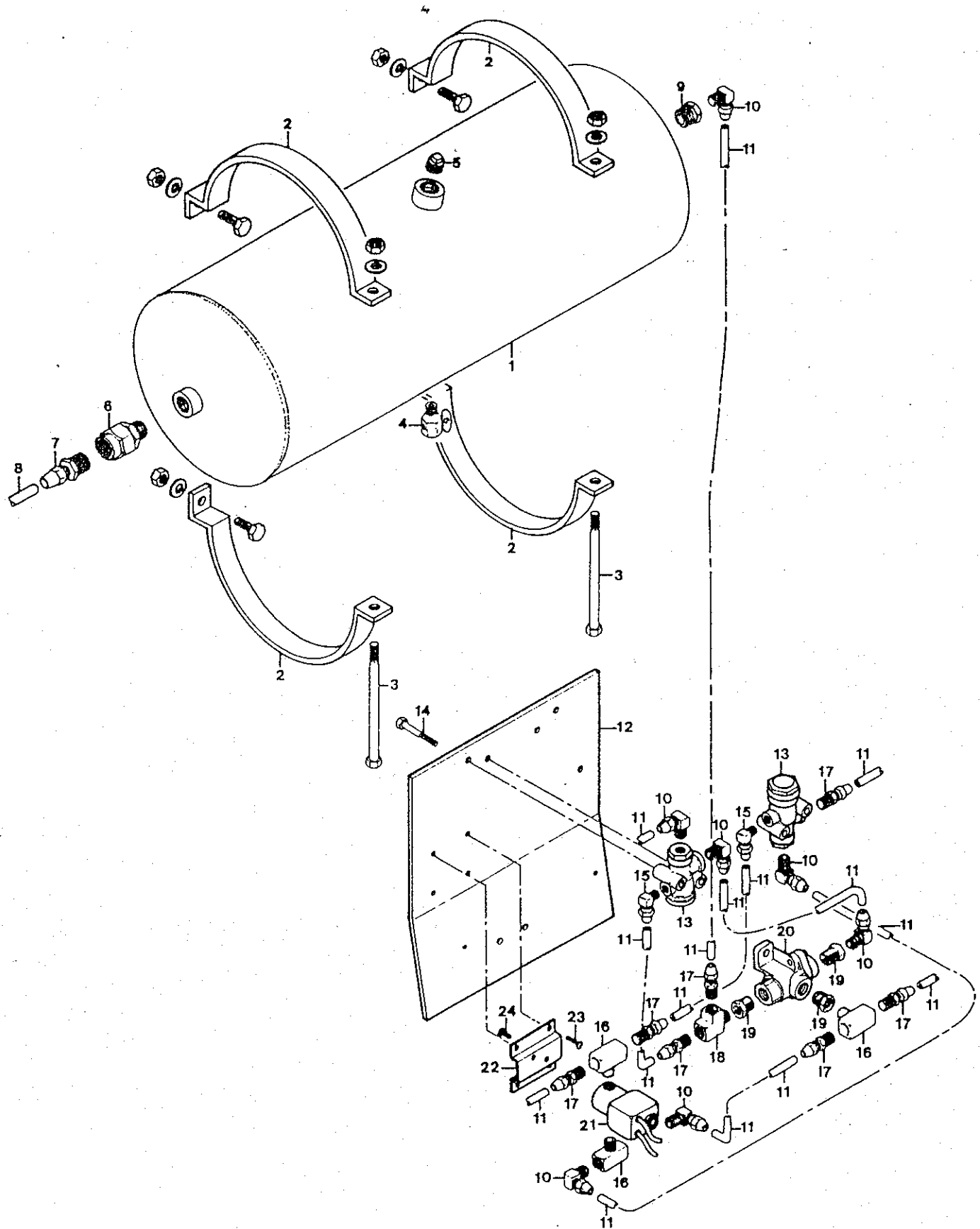
QUANTITY REQUIRED IS ONE UNLESS OTHERWISE SPECIFIED.



| | |
|--------------------|---------|
| OR 9-12-85 BY DBW | 8004665 |
| APP 9-25-85 BY DHB | |

AIR THROTTLE CONTROL - GM 8V92TA, GM 6V92TA
VALVE & TANK ASSEMBLIES

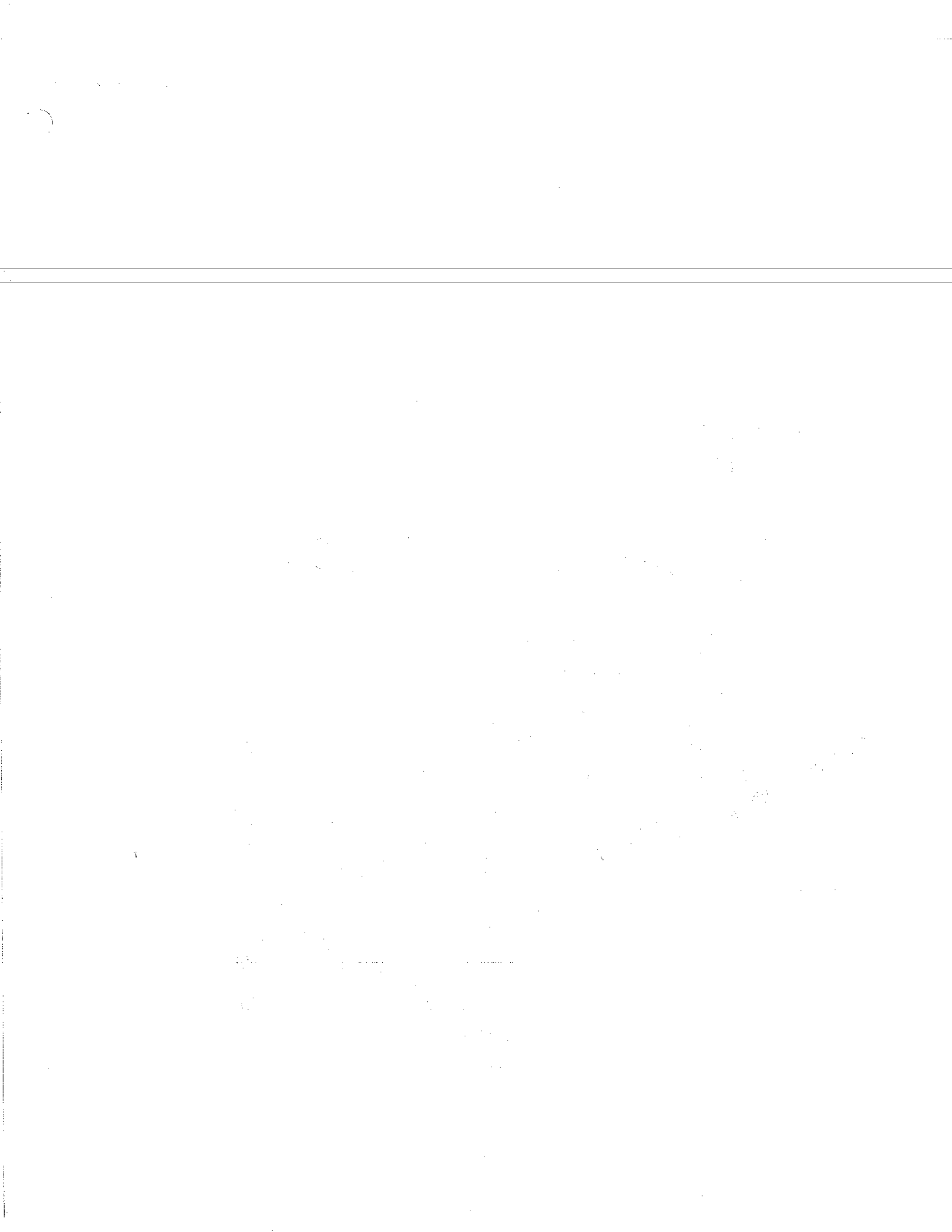
© 1985 BLUE BIRD BODY COMPANY
ALL RIGHTS RESERVED



AIR THROTTLE CONTROL - GM 8V92TA, GM 6V92TA
VALVE & TANK ASSEMBLIES

| KEY NO. | PART NO. | DESCRIPTION | QTY REQ'D |
|---------|----------|---|-----------|
| 1 | 0754929 | RESERVOIR, 8 X 26 | |
| 2 | 0850578 | BRACKET, MOUNTING, AIR RESERVOIR, 8" | 2 |
| 3 | 0969873 | BOLT, HEX, 3/8-16 X 6 LONG | 2 |
| 4 | 2023117 | COCK, RESERVOIR DRAIN | |
| 5 | 2009595 | PLUG, PIPE, 3/8 | |
| 6 | 0654418 | VALVE, SINGLE CHECK, 1/2 PIPE | |
| 7 | 0654558 | CONNECTOR, 1/2 MALE PIPE X 3/8 TUBE | |
| 8 | 2027381 | TUBING, 3/8 COPPER, 1/4 TYPE L, WATER TYPE | |
| 9 | 2027159 | BUSHING, PIPE 1/2 X 1/4 | |
| 10 | 2023935 | ELBOW, 1/4 MPT X 1/4 TUBE | 7 |
| 11 | 2008431 | TUBING, COPPER, 1/4 | |
| 12 | 1110444 | PLATE, MOUNTING, VALVES HIGH IDLE PROTECTION | |
| 13 | 1102920 | VALVE, INVERSION, TR-3 | 2 |
| 14 | 1092337 | BOLT, HEX, 1/4-20 X 2", PHOS & OIL (SHOWN) | 4 |
| 15 | 2023786 | ELBOW, 1/8 MPT X 1/4 TUBE | 2 |
| 16 | 0559047 | TEE, MALE BRANCH, 1/4 PIPE | 3 |
| 17 | 2023224 | CONNECTOR, 1/4 MPT X 1/4 TUBE | 7 |
| 18 | 0654277 | TEE, STREET, 1/4 PIPE | |
| 19 | 2027134 | BUSHING, PIPE, 3/8 X 1/4 | 3 |
| 20 | 0654434 | VALVE, DOUBLE CHECK, 3/8 PIPE | |
| 21 | | VALVE ASSY., SOLENOID | |
| | 1124551 | GM 8V92TA | |
| | 1161009 | GM 6V92TA | |
| 22 | 1124569 | BRACKET, MOUNTING, SOLENOID VALVE ALLEN AIR | |
| 23 | 2000776 | SCREW, PH RD, 10-32 X 3/4 | 4 |
| 24 | 3754728 | SCREW, NO. 10-32 X 3/8 PAN HEAD PHILLIPS PLTD | 2 |

QUANTITY REQUIRED IS ONE UNLESS OTHERWISE SPECIFIED.



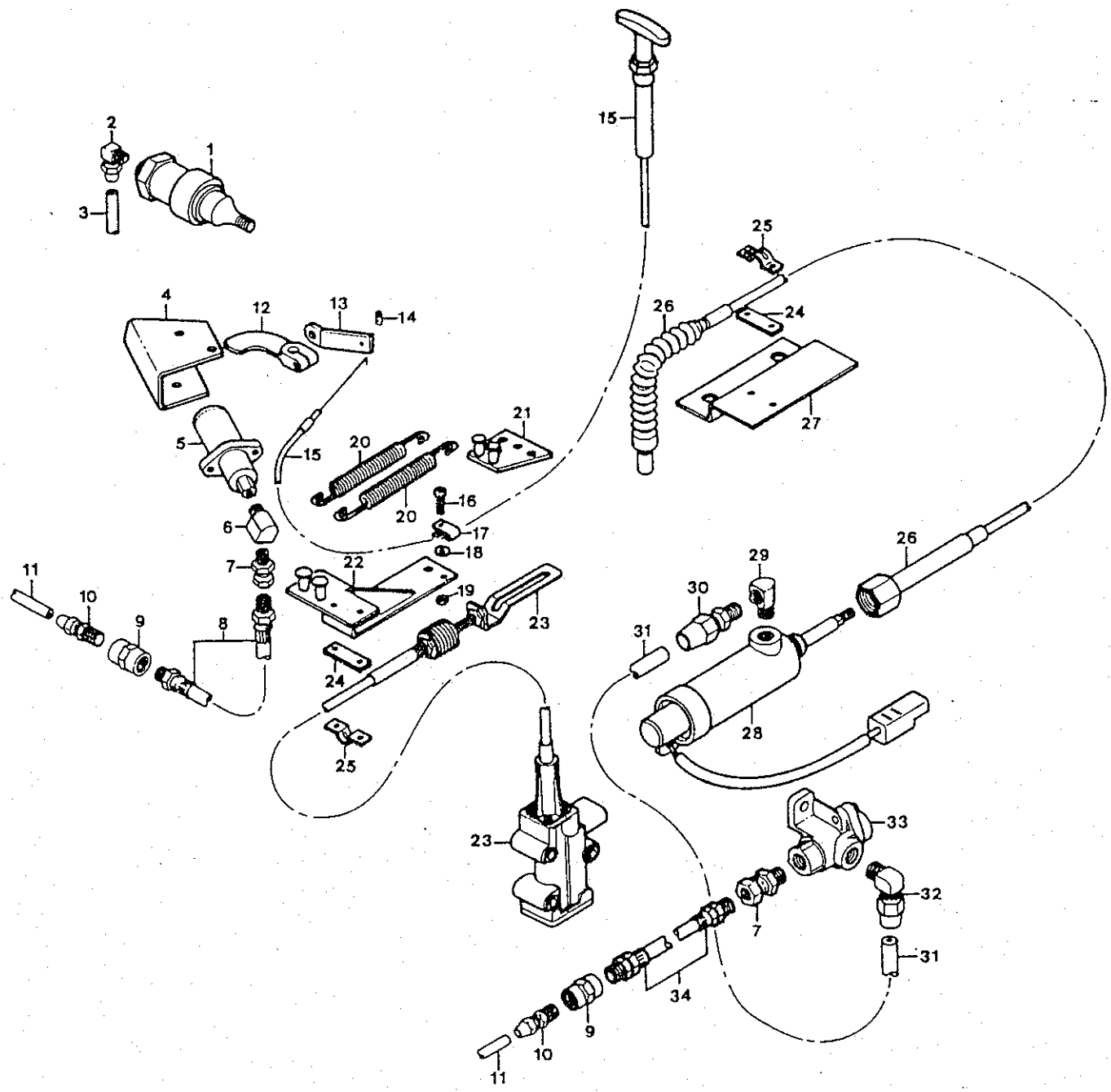
DR. 9-25-85 BY DBW
APP. 9-25-85 BY DFB

8004673

AIR THROTTLE CONTROL - GM 8V92TA ENGINE PARTS

FRONT

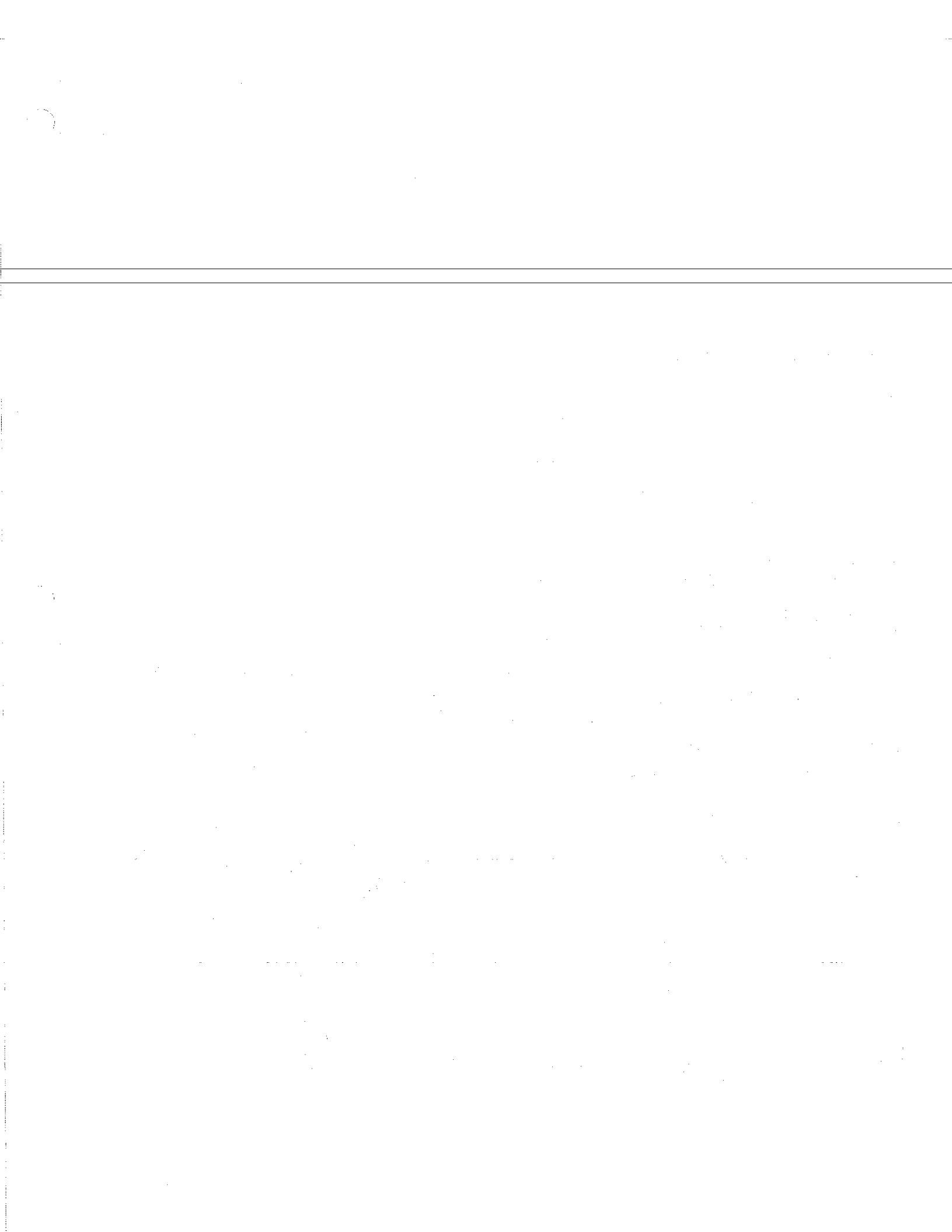
© 1985 BLUE BIRD BODY COMPANY
ALL RIGHTS RESERVED



AIR THROTTLE CONTROL - GM 8V92TA
ENGINE PARTS

| KEY NO. | PART NO. | DESCRIPTION | QTY REQ'D |
|---------|----------|---|-----------|
| 1 | | FAST IDLE CYLINDER (SUPPLIED WITH ENGINE) | |
| 2 | 2023786 | ELBOW, 1/8 MPT X 1/4 TUBE | 12' |
| 3 | 2005700 | LOOM, ASPHALTUM WIRE, 1/4" | |
| 4 | 1158757 | BRACKET, MOUNTING, ENGINE SHUTDOWN, KYSOR CYL. | |
| 5 | 1158765 | CYLINDER, AIR SHUTDOWN | |
| 6 | 0605188 | ELBOW, REDUCING, STREET, 1/4 X 1/8 PIPE | 2 |
| 7 | 1119700 | ADAPTER, SWIVEL, MALE PIPE | |
| 8 | 0870311 | HOSE ASSY. | 2 |
| 9 | 2027175 | COUPLING, 4 1/4 PIPE | |
| 10 | 2023224 | CONNECTOR, 1/4 MPT X 1/4 TUBE | 2 |
| 11 | 2008431 | TUBING, COPPER, 1/4 | |
| 12 | 0993741 | LEVER, ENGINE STOP | |
| 13 | 1169077 | EXTENSION, LEVER, MANUAL STOP | |
| 14 | 2025955 | STOP, 1/4 WIRE CONE | |
| 15 | | CABLE ASSY., PULL TO STOP | |
| | 1143916 | 479" (3903) | |
| | 1169085 | 458" (3706) | |
| 16 | 2000743 | SCREW, MACHINE, 8-32 X 3/4 | |
| 17 | 2025948 | THROTTLE CABLE CONTROL CLAMP | |
| 18 | 2001162 | WASHER, LOCK, 3/16 | |
| 19 | 2001253 | NUT, HEX, 8-32 | |
| 20 | 0939231 | SPRING, ACCELERATOR RETURN | 2 |
| 21 | 1169028 | EXTENSION ASSY., THROTTLE, LEVER | |
| 22 | 1159003 | BRACKET ASSY., SPRING, RETURN, ACCELERATOR | |
| 23 | 1169101 | SLIP JOINT ASSY., THROTTLE SENSOR | |
| 24 | 0985432 | SHIM | 2 |
| 25 | 0985424 | CLAMP, CABLE | 2 |
| 26 | 1091461 | CABLE, THROTTLE CRUISE CONTROL | |
| 27 | 1089929 | BRACKET, MOUNTING, THROTTLE, CRUISE CONTROL CABLE | |
| 28 | 1087428 | CYLINDER, AIR, CRUISE CONTROL | |
| 29 | 2027233 | ELBOW, 4 1/4 STREET | |
| 30 | 2023372 | CONNECTOR, 1/4 X 1/2 TUBE | |
| 31 | 1197177 | TUBING, PLASTIC, 1/2 O.D. GRAY | |
| 32 | 2023307 | ELBOW, 3/8 MPT X 1/2 TUBE | |
| 33 | 0654434 | VALVE, DOUBLE CHECK, 3/8 PIPE | |
| 34 | 0870303 | HOSE ASSY. | |

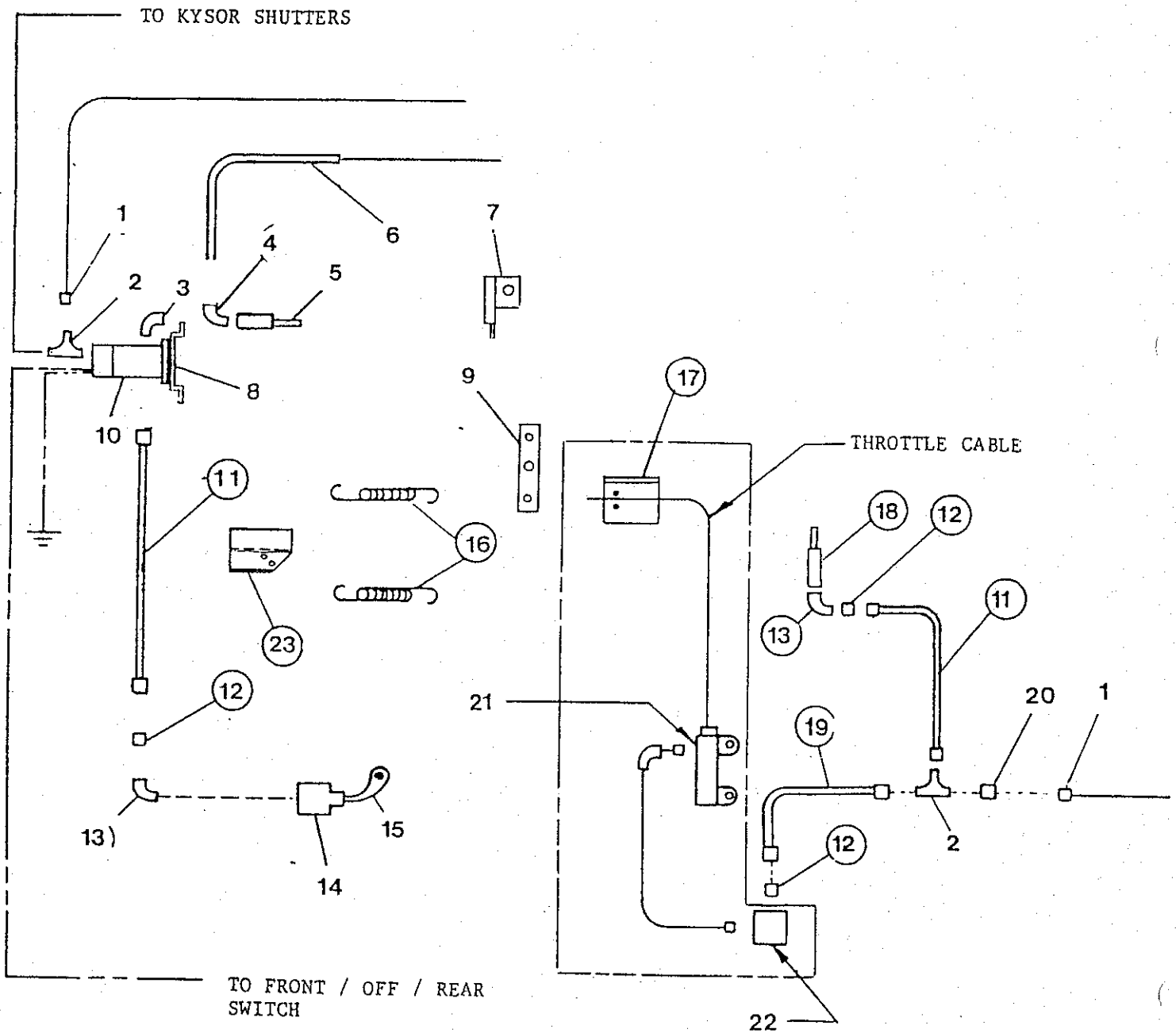
QUANTITY REQUIRED IS ONE UNLESS OTHERWISE SPECIFIED.



AIR THROTTLE CONTROL GM 6V92TA ENGINE PARTS

| | | |
|------|----|---------|
| DR. | BY | 2159572 |
| APP. | BY | |

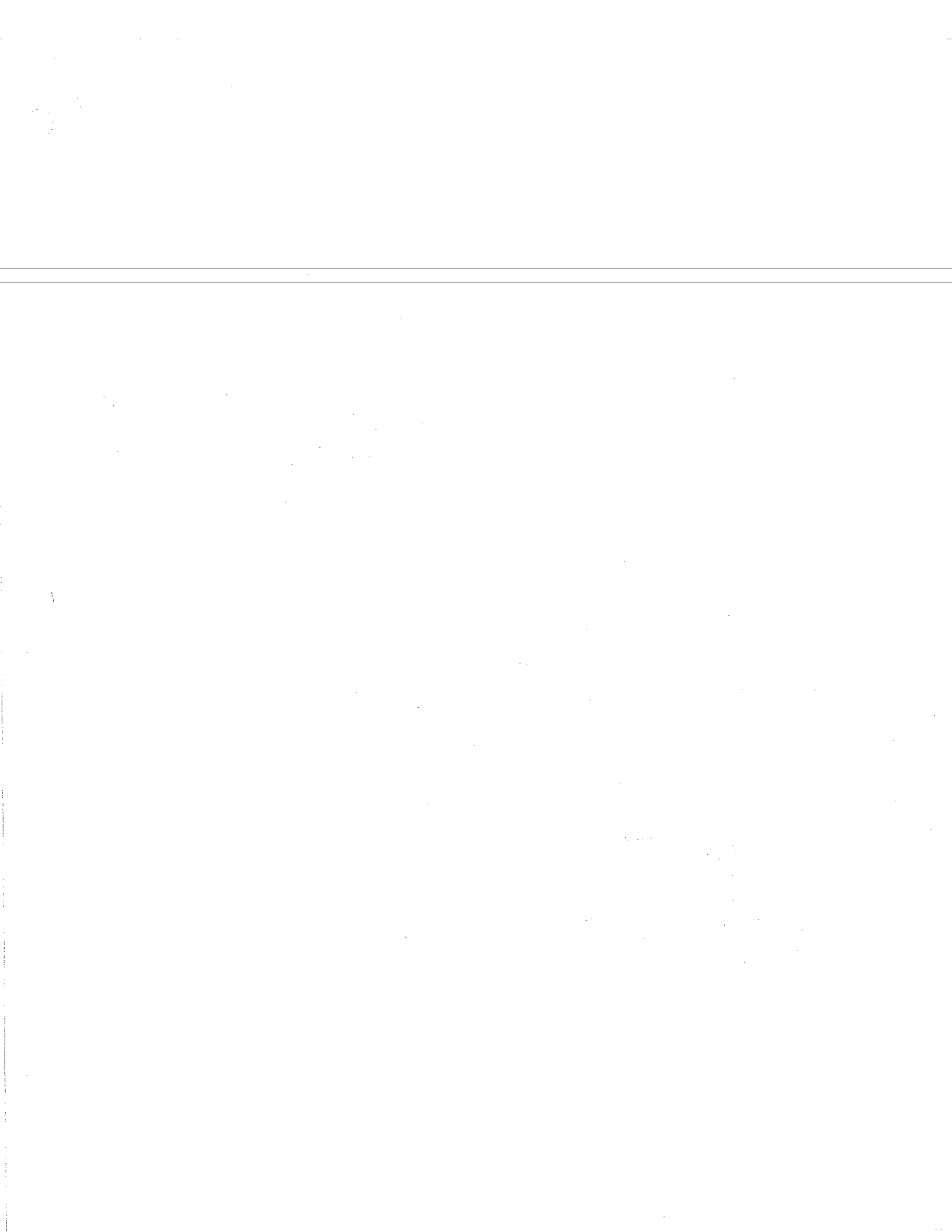
© 1985 BLUE BIRD BODY COMP. ALL RIGHTS RESERVED



AIR THROTTLE CONTROL GM 6V92TA
ENGINE PARTS

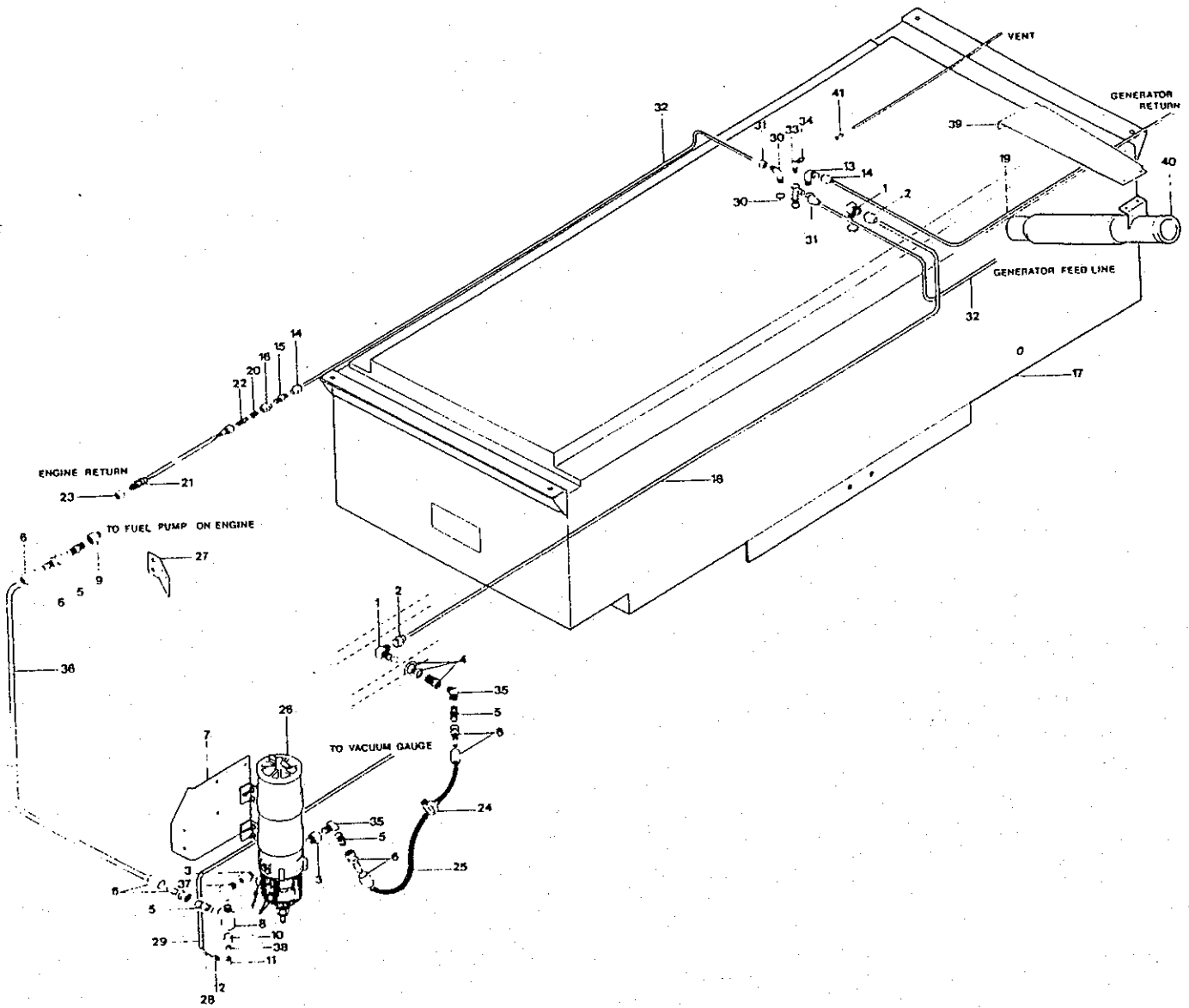
| KEY NO. | PART NO. | DESCRIPTION | QTY REQ'D |
|---------|----------|--|-----------|
| 1 | 2023224 | CONNECTOR, 1/4 MPT X 1/4 TUBE | |
| 2 | 0654277 | TEE, STREET, 1/4 PIPE | |
| 3 | 2027233 | ELBOW, 3400 X 4 1/4 STREET | |
| 4 | 2023786 | ELBOW, 269AB-4-2, 1/8 MPT X 1/4 TUBE | |
| 5 | | FAST IDLER CYLINDER (SUPPLIED WITH ENGINE) | |
| 6 | 2005700 | LOOM, ASPHALTUM WIRE, 1/4" | 12' |
| 7 | 1223791 | LEVER, ENGINE CUT OFF | |
| 8 | 1124569 | BRACKET, MOUNTING, SOLENOID VALVE | |
| 9 | 1089861 | EXTENSION, THROTTLE LEVER | |
| 10 | 1124544 | VALVE, SOLENOID | |
| 11 | 0870311 | HOSE ASSY., P/S 45" LONG | |
| 12 | 1119700 | ADAPTER, SWIVEL, MALE PIPE | |
| 13 | 0605188 | ELBOW, REDUCING STREET 1/4 X 1/8 PIPE | |
| 14 | 0920058 | CYLINDER ASSY., AIR SHUTDOWN | |
| 15 | 0993741 | LEVER, ENGINE STOP | |
| 16 | 0939231 | SPRING, ACCELERATOR RETURN | |
| 17 | 1089929 | BRACKET, MOUNTING, THROTTLE CRUISE CONTROL | |
| 18 | 0986364 | MODULATOR, TRANS AIR THROTTLE CONTROL | |
| 19 | 0870303 | HOSE ASSY. | |
| 20 | 2027175 | COUPLING, 3300 X 4 1/4 PIPE | |
| 21 | 1087428 | CYLINDER, CRUISE CONTROL | |
| 22 | 0654434 | VALVE, DOUBLE CHECK | |
| 23 | 1128974 | SHIELD, VALVE, AIR SHUT-DOWN | |

QUANTITY REQUIRED IS ONE UNLESS OTHERWISE SPECIFIED.



FUEL LINES GM 6V92TA, GM 8V92TA

DR 10-21-85 BY JLR
 APT 10-21-85 BY PH
 8004616
 FRONT
 © 1985 BLUE BIRD BODY COMPANY
 ALL RIGHTS RESERVED



FUEL LINES
GM 6V92TA, GM 8V92TA

| KEY NO. | PART NO. | DESCRIPTION | QTY REQ'D |
|---------|----------|--|-----------|
| 1 | 2026706 | ELBOW, 1/2 MPT X 5/8 TUBE FLARE | 2 |
| 2 | 2027092 | NUT, 5/8 FLARE | 2 |
| 3 | 0993188 | ADAPTER, O-RING | 2 |
| 4 | 1153600 | COUPLING, ANCHOR | |
| 5 | 2026672 | CONNECTOR, 1/2 MPT X 5/8 TUBE FLARE | 4 |
| 6 | 1153618 | HOSE END, 5/8 TUBE X 1/2 ID HOSE | 4 |
| 7 | 1153592 | BRACKET, MOUNTING | |
| 8 | 0654350 | TEE, STREET, 1/2 PIPE | |
| 9 | 0970327 | ADAPTER, 1/2 FPT TO 3/8 MPT | |
| 10 | 2027159 | BUSHING, PIPE, 1/2 X 4 | |
| 11 | 2026979 | ELBOW, MALE, INVERTED FLARE, 1/4 TUBE X 1/8 | |
| 12 | 2026805 | NUT, INVERTED FLARE | |
| 13 | 0598862 | ELBOW, 90 DEGREE MALE, 1/2 TUBE X 3/8 PIPE | |
| 14 | 2027084 | NUT, 1/2 FLARE | 2 |
| 15 | 2026664 | CONNECTOR, 48 X 8 | |
| 16 | 1002898 | COUPLING, 3/8 X 3/8 PIPE | |
| 17 | | TANK ASSY., 300 GAL., FUEL | |
| | 3790086 | 3502 | |
| | 3789401 | 3903/3706 | |
| NI | 3835931 | CAP, FUEL TANK | |
| 18 | 2027407 | TUBE, 5/8 COPPER TUBING | |
| 19 | 2027399 | TUBING, 1/2 COPPER | |
| 20 | 2027134 | BUSHING, PIPE, 3/8 X 1/4 | |
| 21 | 1105832 | HOSE ASSY. | |
| 22 | 0928853 | CONNECTOR, MALE, 1/4 MPT, 3/8 TUBE, 45 FLARE | |
| 23 | 2026953 | UNION, 3/8 INVERTED FLARE | |
| 24 | 0853234 | CLAMP, CLOSED TYPE, 1 1/8 | |
| 25 | 1165752 | HOSE 1/2 ID WIRE BRAID | 43 |
| 26 | 1153659 | FILTER, FUEL/WATER SEPARATOR, RACOR 1000 | |
| NI | 2138790 | ELEMENT, FUEL/WATER SEPARATOR | |
| 27 | 1153709 | BRACKET, MOUNTING, FUEL FILTER | |
| 28 | 2008431 | TUBING, COPPER, 1/4 | |
| 29 | 2005718 | LOOM, ASPHALTUM, WIRE, 5/6" | |
| 30 | 1153634 | ELBOW, MALE, 3/8 MPT X 3/8 TUBE FLARE | 2 |
| 31 | 1154905 | NUT, 3/8 FLARE | |
| 32 | 2027381 | TUBING, 3/8 COPPER, 1/4 TYPE L WATER TYPE | |
| 33 | 2023935 | ELBOW, 1/4 MPT X 1/4 TUBE | |
| 34 | 0654962 | TUBING, STRATOFLEX, BLACK, 1/4 OD | 31" |
| 35 | 2027217 | ELBOW, 1/2 STREET, 45 | 2 |
| 36 | 1165752 | HOSE 1/2 ID WIRE BRAID | 51 |
| 37 | 2008274 | ELBOW, 90 DEG. STREET | |
| 38 | 2008050 | BUSHING, BRASS, JK DOOR, AIR, 1/8 X 1/4 | |
| 39 | 1130327 | BRACKET, SUPPORT, FILL NECK ASSY., FUEL TANK | |
| NI | 3734175 | FILTER, FUEL PRIMARY | |
| NI | 3734183 | FILTER, FUEL SECONDARY | |
| NI | 1218551 | SENDER, FUEL TANK 235/275/300 GAL. | |
| NI | 0890145 | INDICATOR, FUEL TANK | |
| NI | 1078617 | INDICATOR, FUEL TANK LEVEL | |

QUANTITY REQUIRED IS ONE UNLESS OTHERWISE SPECIFIED.

1950

10

The first part of the report deals with the general situation in the country. It is noted that the economy is still in a state of depression, and that the government has taken various measures to stimulate it. The report also discusses the social conditions, which are generally poor, and the need for social reforms.

11

The second part of the report deals with the financial situation. It is noted that the government has a large budget deficit, and that the public debt is increasing. The report also discusses the monetary policy, which is aimed at maintaining stability in the currency.

12

The third part of the report deals with the foreign relations. It is noted that the country has a friendly relationship with the United States, and that it is a member of the Organization of American States. The report also discusses the country's position in the world.

HOLDING TANK
BODY MODEL 3502

| KEY NO. | PART NO. | DESCRIPTION | QTY REQ'D |
|---------|----------|-----------------------------|--------------------|
| 1 | | TANK ASSY., WASTE HOLDING | |
| | 1233329 | GRAY | |
| | 1233303 | SOLID | |
| 2 | | STRAP ASSY., HOLDING TANK | |
| | 1140607 | GREY | |
| | 1140623 | SOLID | |
| | 1140649 | RETAINER | |
| 3 | | BRACKET ASSY., HOLDING TANK | |
| | 1021690 | LEFT FRONT | |
| | 1061621 | LEFT REAR | |
| | 1021708 | RIGHT FRONT | |
| | 1021724 | RIGHT REAR | |
| 4 | 1016583 | SPACER, HOLDING TANK BRKT. | |
| | | <u>MISC. HARDWARE</u> | |
| | 2001451 | NUT, HEX | <u>SIZE</u> 3/8 |
| | 2000339 | CAPSCREW HEX | 5/8 |
| | 2001220 | WASHER, LOCK | 5/8 |
| | 2001493 | NUT, HEX | 5/8 |

QUANTITY REQUIRED IS ONE UNLESS OTHERWISE SPECIFIED.

()

()

()

HOLDING TANK
BODY MODEL 3706, 3903

| KEY NO. | PART NO. | DESCRIPTION | QTY REQ'D |
|---------|--|--|-------------|
| 1 | 1165471 1165489 | TANK ASSY, WASTE HOLDING SOLID GRAY | |
| 2 | 1166040 1166057 1166065 | STRAP ASSY, HOLDING TANK LH & RH, OUTSIDE LH & RH, INSIDE LH & RH, BAR | |
| 3 | 1216167 1212968 1216159 1212950 | BRACKET ASSY, HOLDING TANK RIGHT FRONT RIGHT REAR LEFT FRONT LEFT REAR | |
| 4 | 1016583 1200351 | SPACER, HOLDING TANK BRACKET REAR FRONT | |
| | | <u>MISC. HARDWARE</u> | |
| | | | <u>SIZE</u> |
| | 1001451 | NUT, HEX | 3/8-16 |
| | 2001485 | NUT, HEX | 1/2-20 |
| | 2001493 | NUT, HEX | 5/8-11 |
| | 2001477 | NUT, HEX | 1/2-13 |
| | 0882803 | CAPSCREW, HEX | 3/8-16 |
| | 2000347 | CAPSCREW, HEX | 5/8-11 |
| | 2001220 | WASHER, LOCK | 5/8 |
| | 2001212 | WASHER, LOCK | 1/2 |
| | 2028579 | WASHER, LOCK | 3/8 |

QUANTITY REQUIRED IS ONE UNLESS OTHERWISE SPECIFIED.

