



(A)

PART NO.	DESCRIPTION	QTY.
1. 0522516	TEE ST. 1/2	12
2. 2224483	ELBOW FPT 1/2	3
3. 2233930	ELBOW ST. 1/2	9
4. 2023539	BUSHING 1/2X3/8	5
5. 2250371	BUSHING 3/8X1/4	1
6. 2027134	BUSHING 1/2X1/4	1
7. 2196459	NIPPLE 1/2 CLOSE	4
8. 3758547	NIPPLE 1/2X1 1/2	1
9. 3764388	NIPPLE 1/2X5	1
10. 3758570	NIPPLE 1/2X4	1
11. 0392308	VALVE CHECK 1/2	3
12. 2027076	NUT FLARE 3/8	13
13. 2027084	NUT FLARE 1/2	16
14. 2027092	NUT FLARE 5/8	8
15. 2027381	TUBE COPPER 3/8	5 FT.
16. 2027399	TUBE COPPER 1/2	32 FT.
17. 2027407	TUBE COPPER 5/8	34 FT.
18. 2274744	TUBE POLYBUTYL 1/4	9 FT.
19. 2234110	TUBE PLASTIC 1/4	12 FT.
20. 2255933	HOSE 1/2	6.5 FT.
21. 2271906	ELBOW 1/2 FPTX 3/8 FL.	2
22. 2255513	ELBOW 1/2 MPT X1/2 FLARE	1
23. 2026706	ELBOW 1/2 MPT X5/8 FLARE	1
24. 2017739	ELBOW ST. 1/2 FPT X 5/8 FLARE	1
25. 3741873	ELBOW 1/2 MPT X1/2 HB PLASTIC	2
26. 2027779	ELBOW 3/8 MPT X 1/2 HB	4
27. 2265155	ELBOW 3/8 MPT X3/8 FLARE	1
28. 2274561	TEE 1/2 FL X3/8 FL X1/2 FL	1
29. 2027258	TEE 3/8 FPTX 3/8 FPT X 3/8 FPT	1
30. 2247757	TEE 1/2 HB X 1/4 MPT X 1/2 HB	1
31. 2008298	NIPPLE CLOSE 1/8	1
32. 2017721	CONNECTOR 1/2 FPT X 5/8 FL.	2
33. 2217008	CONNECTOR 1/2 FPT X 1/2 FL	2
34. 0377366	CONNECTOR 1/2 FPT X 3/8 FL	1
35. 2253979	COUPLING 1/4 MPT X 3/8 FL	2
36. 0388231	COUPLING 3/8 MPT X 3/8 FL	1
37. 2243199	COUPLING 3/8 MPT X 1/4 MPT	3
38. 2026472	COUPLING 1/2 MPT X 5/8 FL	3
39. 2260222	COUPLING 1/2 MPT X 1/2 FL	10
40. 2257897	COUPLING 1/2 MPT X 3/8 FL	2
41. 3758596	COUPLING 1/2	1
42. 2216125	CONNECTOR 1/2 MPT X 1/2 HB	4
43. 2017390	VALVE 1/2 FPT X 3/8 FL (TOILET)	1
44. 2264604	VALVE BALL 1/2	1
45. 3765666	ASSY SHOWER FIXTURE	1
46. 3776028	ADAPTER 1/2 X1/2 w/1/4 TAP	1
47. 2257905	CROSS 1/2	1
48. 2204634	CONNECTOR 1/4 MPTX 1/4 PERREL	2
49. 2016921	FILTER PUMP GUARD	1
50. 2251122	VALVE	1
51. 2268514	PURIFIER WATER	1
52. 2273712	ACCUMULATOR TANK	1
53. 2016913	PUMP	1
54. 2234284	VALVE WATER HEATER DRAIN	1
55. 3738219	VALVE 3-WAY	1
56. 2265455	VALVE ELEC.	1
57. 3747730	REGULATOR	1
58. 2235216	ELBOW 1/4 MPT X 1/4 TUBE	1
59. 2219319	SWITCH AIR	1
60. 2260236	TANK POTABLE WATER	1
61. 2265544	FILL CITY WATER VALVE	1
62. 3762804	SENSOR DRY TANK	1

3805744

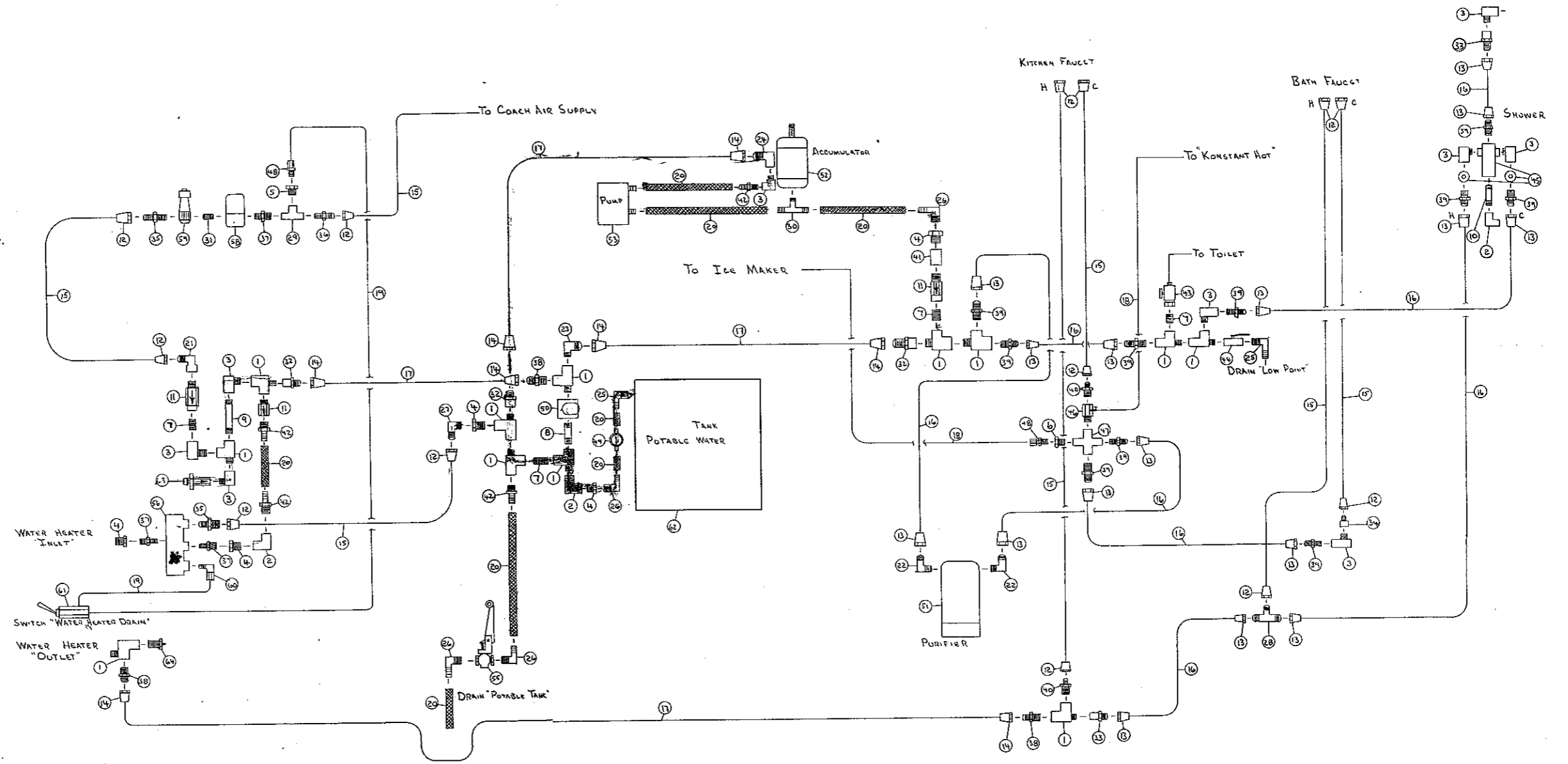


Figure 10-10. Potable Water System