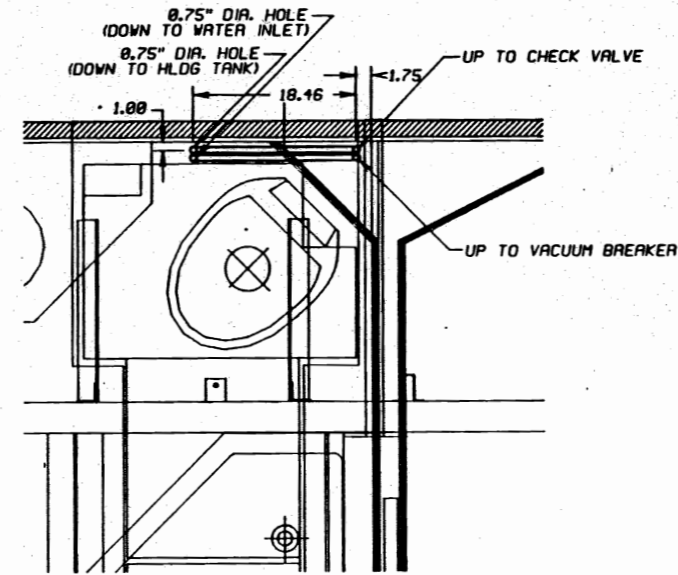
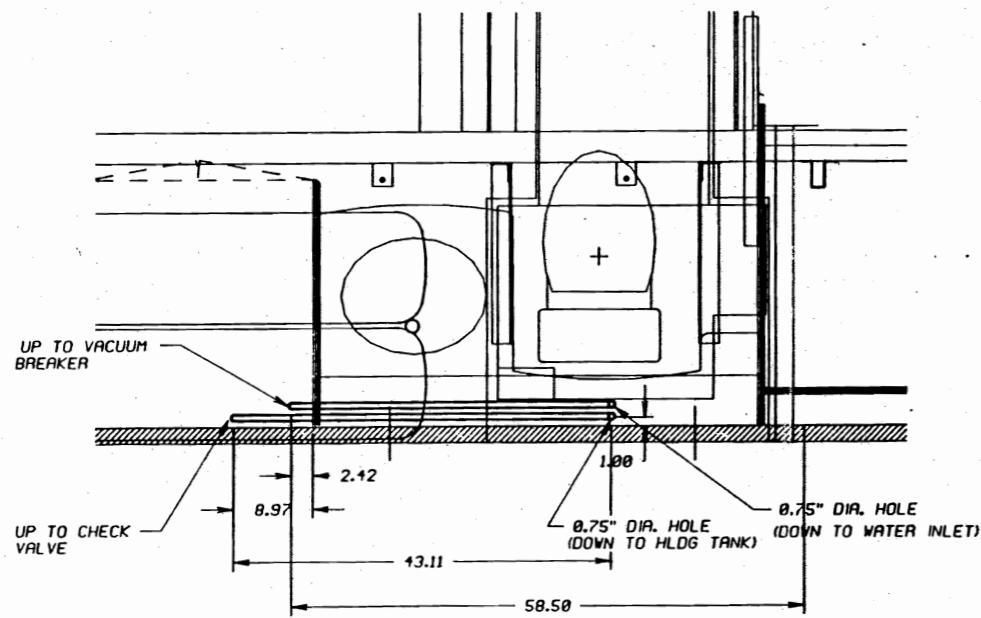


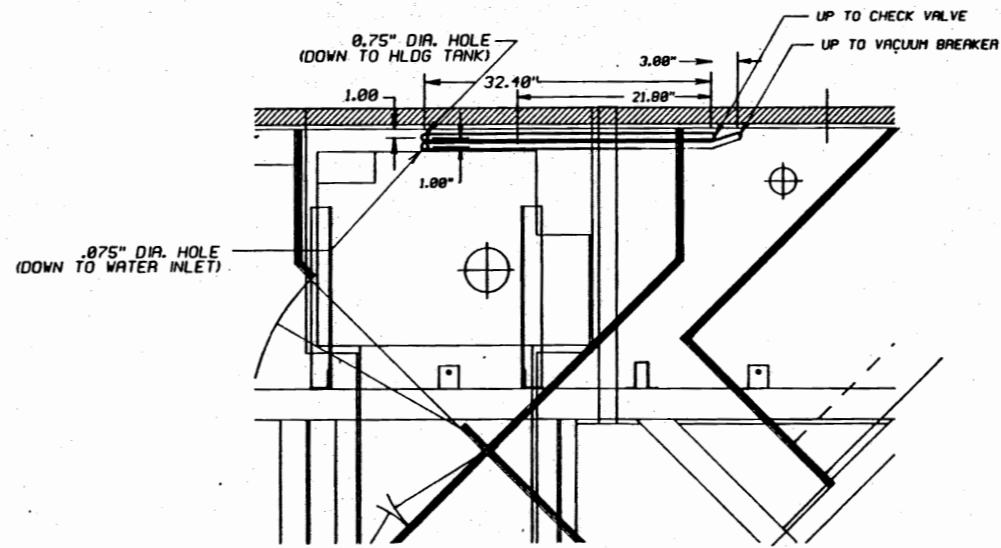
1993 WLWB - STANDARD



1993 WBSA - STANDARD



1993 WLWB - OPTION 5989



1993 WBDA - STANDARD

MATERIAL:									
FLAT SIZE:									
FINISH	COLOR OR TYPE	LET	REVISIONS	DR.	APP.	CK.	ECH	OR	
RAW <input type="checkbox"/>	PAIN <input type="checkbox"/>	9418	Blue Bird Wonder Lodge						SCALE 3:32
PRIME <input type="checkbox"/>	PLATING <input type="checkbox"/>	FORT VALLEY, GEORGIA, U.S.A.		DIAGRAM, PLUMBING, HOLDING TANK FLUSHER					
OTHER <input type="checkbox"/>				1993 WLWB					
TOLERANCES ON ALL DIMENSIONS IS PLUS OR MINUS UNLESS OTHERWISE SPECIFIED.				PAGE 1 OF 2					
INACTIVES NO.	6042915	DR.	6/19/92	BY	AMW	SIZE	D 6042915		
REPLACED BY NO.		APP.	6/19/92	BY	AMW	BY			