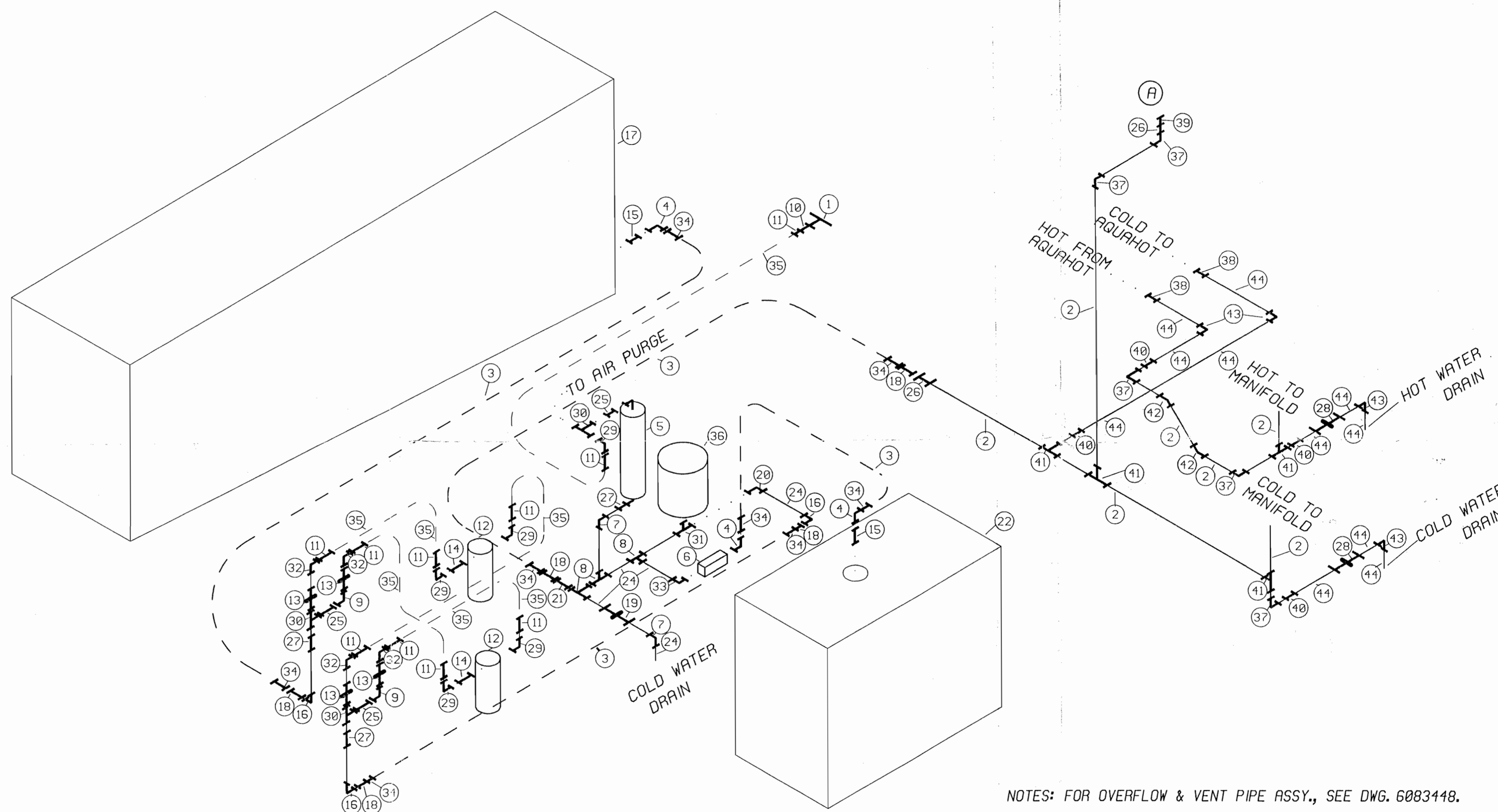


NO.	PART #	DESCRIPTION	QTY.
1	6080667	REGULATOR, CITY WATER FILL, SHURFLO	1
2	6067201	PIPE, CPVC, 3/4 INCH, 10 FT. LONG	20'
3	6021471	HOSE, WATER, 3/4 IN I.D.	25'
4	6074579	ELBOW, 90°, 3/4 INS X 3/4 MIP	3
5	3801255	PURIFIER, WATER, MODEL 7550	1
6	6083232	VALVE, SOLENOID, CUT OFF, SPORLAN, 3/4	1
7	6067136	ELBOW, PVC, SCHEDULE 40, 90 DEG., 3/4 SLIP	2
8	6067128	TEE, PVC, SCHEDULE 40, 3/4 SLIP	3
9	2233930	ELL, STREET, 1/2 NPT BRASS NO 340 X 8	2
10	3804820	CONNECTOR, 1/2 FPT X 1/2 HOSE BARB, BRASS	1
11	2027571	CLAMP,HOSE, 6203	10
12	6080659	PUMP, F/W, SHURFLO 2088-554-444, 3.5 GPM	2
13	6083091	VALVE, GATE, 1/2FPT, NIBCO T-29	4
14	6080683	STRAINER, IN-LINE, SHURFLO 170-061-09	2
15	6021695	BUSHING, BRASS, 1-1/4 MPT - 3/4 FPT	2
16	6067144	ELBOW, PVC, 90 DEG., 3/4 SLIP X 3/4 FIPT	3
17	6093074	TANK, FRESH WATER, MAIN	1
18	6049639	ADAPTER, 3/4 MIPT X 3/4 INS, GENOVA 390407	5
19	6074173	VALVE, BALL, PVC, 3/4 SLIP	1
20	6067151	ELBOW, PVC, 90 STREET, 3/4 SPIG X 3/4 SLIP	1
21	6067177	ADAPTER, PVC, STRAIGHT, 3/4 FIPT X 3/4 SLIP	1
22	6090693	TANK, FRESH WATER, 30 GALLON	1
23	2008555	CLAMP, UNIVERSAL HOSE, 18 INCH (NOT SHOWN)	2
24	6049282	PIPE, PVC, 3/4, SCHEDULE 40, 10 FT. LONG	7'
25	3758554	NIPPLE, PIPE, 1/2 X 2 LONG, BRASS	3
26	6067185	ADAPTER, CPVC, 3/4 SLIP X 3/4 FIPT	2
27	6067219	ADAPTER, PVC, REDUCING, 1/2 MIPT X 3/4 SLIP	3
28	6075634	VALVE, BALL, CPVC, 1/2 SLIP	2
29	6083083	ELBOW, 90 DEGREE, SHUR 8-034-00, 1/2 BARB	5
30	0522516	TEE, STREET, 0.50 PIPE, BRASS	3
31	6067110	TEE, PVC, 3/4 SLIP X 3/4 SLIP X 3/4 FIPT	1
32	6046833	ELBOW, 1/2MPT-1/2 HOSE BARB	4
33	6067169	ELBOW, PVC, 90 STREET, 3/4 MIPT X 3/4 SLIP	1
34	3747862	CLAMP. HOSE, 5/8 INCH	8
35	2255933	HOSE, WATER PUMP, 1/2 INCH	25'
36	6080675	ACCUMULATOR, PRESSURE, JABSCO 18810-0000	1
37	6067102	ELBOW, CPVC, 90DEGREE, 3/4 SLIP	5
38	6084701	UNION, CPVC, 1/2 SLIP X 1/2 MIPT	2
39	6065064	PLUG, PVC, 3/4 MIPT	1
40	6067078	BUSHING, CPVC, 3/4 X 1/2	4
41	6067086	TEE, CPVC, 3/4 SLIP X 3/4 SLIP X 3/4 SLIP	3
42	6067094	ELBOW, CPVC, 45 STREET, 3/4 SPIG X 3/4 SLIP	2
43	6084693	ELBOW, CPVC, 90 DEGREE, 1/2 SLIP	4
44	6067193	PIPE, CPVC, 1/2 INCH, 10 FT. LONG	10'



NOTES: FOR OVERFLOW & VENT PIPE ASSY., SEE DWG. 6083448.  
 FOR CROSSOVER PIPE ASSY., SEE DWG. 6088447.  
 FOR HOLDING TANK FLUSHER PLUMBING, SEE DWG. 6098974.  
 FOR VENT ASSY., 90 GAL TO 30 GAL TANK, SEE DWG. 6083034.  
 FOR FRESH WATER MANIFOLD PLUMBING, SEE DWG. 6084776

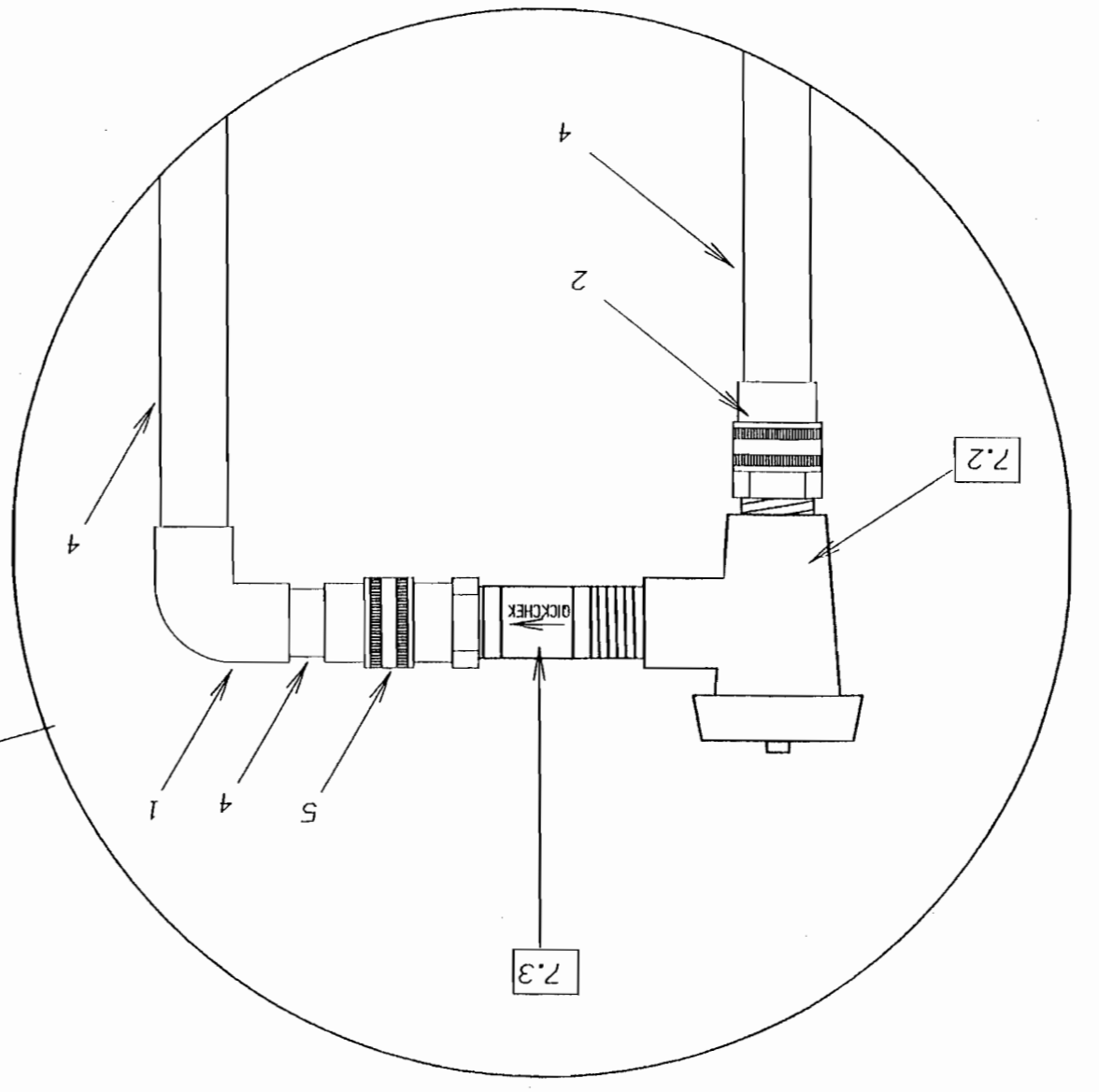
MATERIAL:					
FLAT SIZE:					
FINISH	COLOR OR TYPE	LET	REVISIONS	DR.	APP.
RAW <input type="checkbox"/>	PAINT <input type="checkbox"/>	ECN	9714B	Blue Bird Wonderlodge	SCALE
PRIME <input type="checkbox"/>	PLATING <input type="checkbox"/>			FORT VALLEY, GEORGIA, U.S.A.	NONE
	OTHER <input type="checkbox"/>				
TOLERANCES ON ALL DIMENSIONS IS PLUS		DIAGRAM ASSY., PLUMBING, FRESH WATER,			
OR MINUS <input type="checkbox"/> UNLESS OTHERWISE SPECIFIED.		UNDERFLOOR, STANDARD 1998 LXI			
INACTIVATES NOS	6084768	DR.	11/12/97	BY	AMW
REPLACED BY NO		APP.	11/12/97	BY	AMW
		SIZE	D		6098149

ITEM NO.	DESCRIPTION	QTY.
2.1	WATER FILL INLET	1
2.2	VACUUM BREAKER	1
2.3	CHECK VALVE	1
2.4	FLUSHER	1

NO-FUSS FLUSH

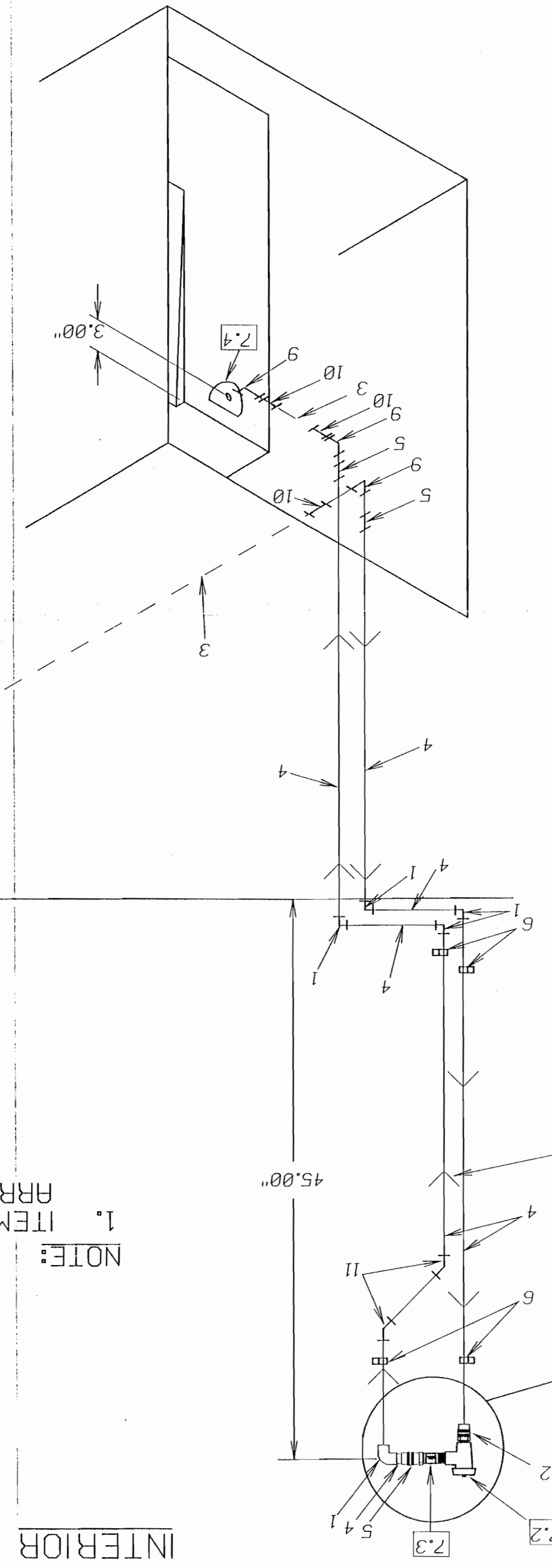
ITEM NO.	PART NO.	DESCRIPTION	QTY.
1	6084693	ELBOW, CPVC, 90 DEG, 1/2 SLIP	5
2	6084701	UNION, CPVC 1/2 SLIP X BRASS 1/2 MPT	1
3	2255933	HOSE, 1/2	15 FT
4	6062193	PIPE, CPVC, 1/2 INCH, 10 FEET LONG	14 FT
5	6084735	UNION, CPVC 1/2 SLIP X BRASS 1/2 FIP	3
6	0557210	CLAMP, CLOSED TYPE, INSL, 13/16, 1645	4
7	3929671	CLEANER, HOLDING TANK, NO FUSS FLUSH	1
8	2203034	SEALANT, RTV 732 CLEAR, CARTRIDGE	1/8 TUBE
9	6046833	ELBOW, 1/2MPT - 1/2 HOSE BARB, 70-TE-2088	4
10	2022571	CLAMP, HOSE, 6203	4
11	6084743	ELBOW, CPVC, 45 DEGREE, 1/2 SLIP X 1/2 SLIP	2

NO-FUSS FLUSH  
WASTE HOLDING TANK FLUSHER



NOTES: 1. ITEM #2.3 "CHECK VALVE" MUST HAVE ARROW POINTING IN DIRECTION OF FLOW.  
2. FOR INSTALLATION INSTRUCTIONS SEE INSTRUCTIONS INCLUDED WITH FLUSHER UNIT.

THIS DRAWING IS SAVED IN CADVANCE @ 1:8 SCALE.



NOTE: 1. ITEM #2.3 "CHECK VALVE" MUST HAVE ARROW POINTING IN DIRECTION OF FLOW.

INTERIOR

MATERIAL:		FLAT SIZE:	
FINISH COLOR OR TYPE		RAW <input type="checkbox"/>	
		PRIME <input type="checkbox"/>	
		PLATING <input type="checkbox"/>	
		OTHER <input type="checkbox"/>	
TOLERANCES ON ALL DIMENSIONS IS PLUS UNLESS OTHERWISE SPECIFIED.			
OR MINUS <input type="checkbox"/>			
INACTIVATES NOS 6084750			
REPLACED BY NO.		DR. 11/15/92 BY RMW	
CK.		APP. 11/15/92 BY RMW	
SIZE D		60988974	
19987 WL LXI			
DIAGRAM, PLUMBING, HOLDING TANK FLUSHER			
REV. DATE		DR. APP. CK. ECN	
LET		REVISIONS	
ECN 9214B		Blue Bird Wonder Lodge	
SCALE NTS		PORT VALLEY, GEORGIA, U.S.A.	

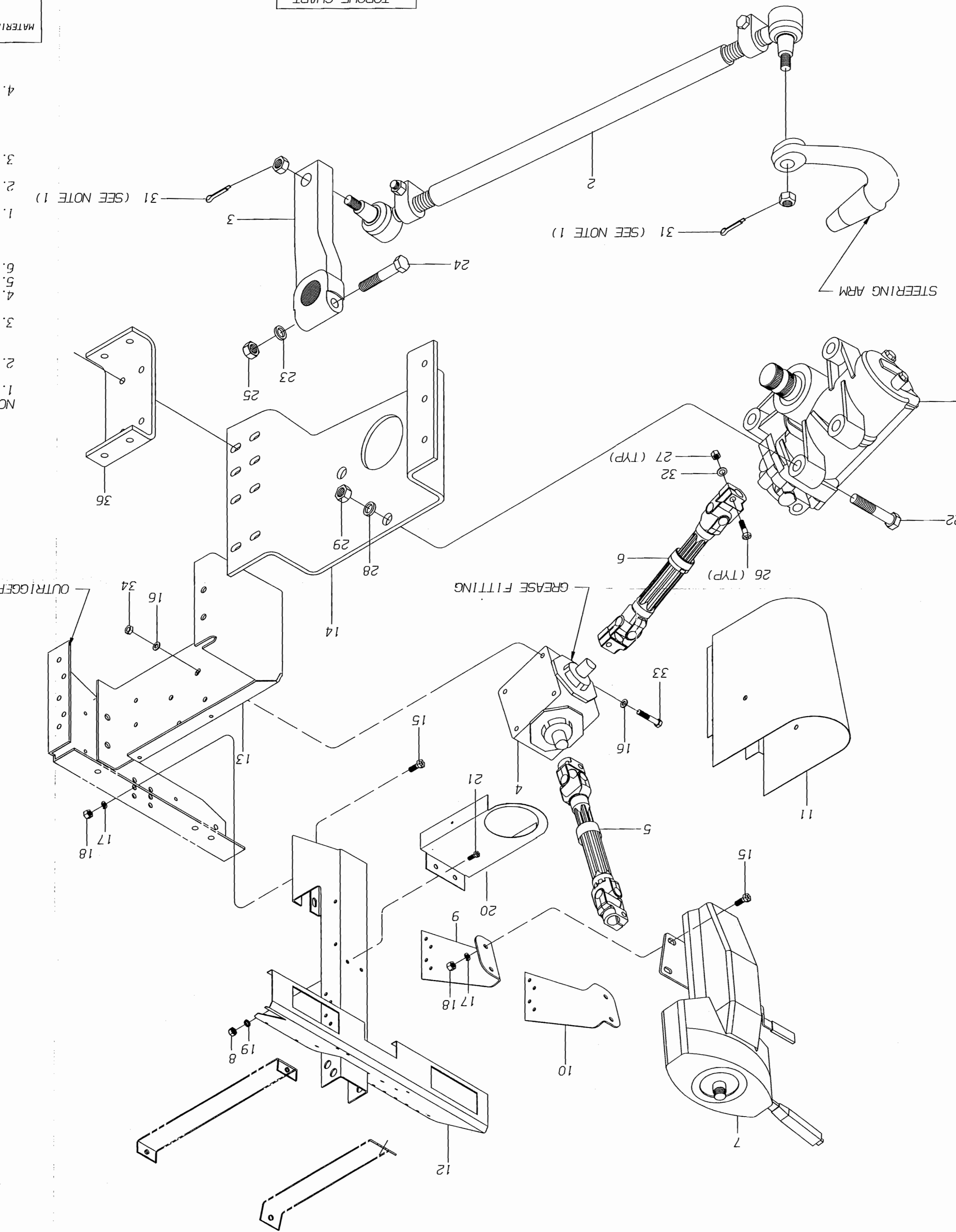
POWER STEERING ADJUSTMENT PROCEDURE  
 AXLE STOP ADJUSTMENT PROCEDURE  
 1. ADJUSTMENT OF AXLE STOPS SHOULD BE MADE AFTER TOW-IN HAS BEEN SET ON THE FRONT AXLE.  
 2. WITH FRONT TIRES ON TURN ANGLE PLATES, CENTER LEFT FRONT TIRE IN ANGLE PLATES TO ZERO.  
 3. THE RH AXLE STOP SHOULD BE ADJUSTED SO THAT FOR A FULL RH TURN THE TURN ANGLE PLATE UNDER THE LH TIRE READS 50.00 DEG. THE LH AXLE STOP SHOULD BE ADJUSTED SO THAT FOR A FULL LH TURN THE TURN ANGLE PLATE UNDER THE RH TIRE READS 38.00 DEG. LOCK AXLE STOP JAM NUTS AFTER ADJUSTING.  
 4. REMOVE TURN ANGLE PLATES. VERIFY THAT AXLE STOPS CONTACT AXLE PAD AND FRONT AXLE TIE ROD AND ALL POTENTIAL INTERFERENCE POINTS. THERE MUST BE AT LEAST .125" CLEARANCE BETWEEN PITMAN ARM DRAG ROD BY ROLLING BUS FORWARD OR BACKWARD IN ORDER TO MAKE STOPS CONTACT.

KEY PART-NO	DESCRIPTION	QTY
1	1970458 GEAR, POWER STEERING, TAS85, 21:1 RATIO	1
2	1970748 DRAG ROD ASSY, VERT JOINT	1
3	1928308 ARM, PITMAN, 2, 25X59 SERRATION X 11.25	1
4	1928266 GEAR BOX, TRANSFER, STEERING, 90DEG, 1:1R	1
5	1958727 SHAFT ASSY, SLIP, STRG, COL TO TRANS BOX	1
6	1885532 SHAFT ASSY, SLIP, STRG, TRANS BOX TO STRG	1
7	1948835 COLUMN ASSY, STEERING, TILT/TELESCOPING	1
8	0659979 NUT, HEX, FLANGE SER, 1/4-20, YEL ZN DICH	15
9	1988104 BRACKET, MTG, STEERING COLUMN, RH	1
10	1988112 BRACKET, MTG, STEERING COLUMN, LH	1
11	1990571 CLOSOUT, STEERING COLUMN	1
12	1988120 POST ASSY, STEERING COLUMN	1
13	1948843 BRACKET, MTG, TRANSFER BOX, STEERING GEAR	1
14	1928274 BRACKET, MTG, STEERING GEAR	1
15	0659979 NUT, HEX, FLANGE SER, 1/4-20, YEL ZN DICH	15
16	1107085 WASHER, FLAT, 13/32 X 13/16 X 3/32, HDN, BLK ZN	12
17	0882795 LOCKWASHER, SPLIT RING, 3/8, MED, YELLOW DICH	14
18	2001451 NUT, HEX HD, 3/8-16, YELLOW DICHROMATE	15
19	1247709 WASHER, FLAT, 17/64 ID X 5/8, YEL ZN DICH	15
20	1990589 BRACKET ASSY, CLOSOUT, SHAFT ASSY, STRG	1
21	0977132 CAPSCREW, HEX HD, 1/4-20 X 3/4, GR 5, YEL DICH	1
22	1886449 CAPSCREW, HEX HD, 7/8-9 X 3 1/2, GR8, YELZNDICH	4
23	0607036 WASHER, FLAT, 13/16 X 1 3/8 X 7/64 ZP, HRD	1
24	1021815 CAPSCREW, HEX HD, 3/4-10 X4 1/2, GR8, YELZNDICH	4
25	0933879 NUT, HEX HD, 3/4-10, PRVLG TORO, GR8, CAD MAX	1
26	1916980 CAPSCREW, HEX HD, 7/16-14 X 1 3/4, GR8, YELZNDH	4
27	0997080 NUT, HEX HD, 7/16-14, LOCKING, GR 8, CADMIUM MAX	4
28	1011428 WASHER, FLAT, 3/32 X 1 3/4 X 9/64, HDN, YEL ZN	4
29	1886456 NUT, HEX HD, 7/8-9, PRVLG TORO, GR8, YEL ZN DICH	4
30	0969816 SEALANT, LOCTITE, THREADLOCKER, 271 ADHESIVE	2
31	1420744 PIN, COTTER, 5/32 DIA X 1 1/2 LONG	2
32	2028546 WASHER, FLAT, 7/16 X 1 1/32 X 5/64, YL ZN	4
33	1928290 CAPSCREW, HEX HD, 3/8-16 X 4, GR8, YEL ZN DICH	4
34	0826297 NUT, HEX HD, 3/8-16 LOCK, YEL ZN DICH	4
35	1226174 INSULATION, INSTRUMENT PANEL POST	1
36	1791698 CHANNEL, ATTACHING, STEERING GEAR	1
37	1406065 SWITCH ASSY, TURN SIGNAL, SELF CANCELLING WL	1

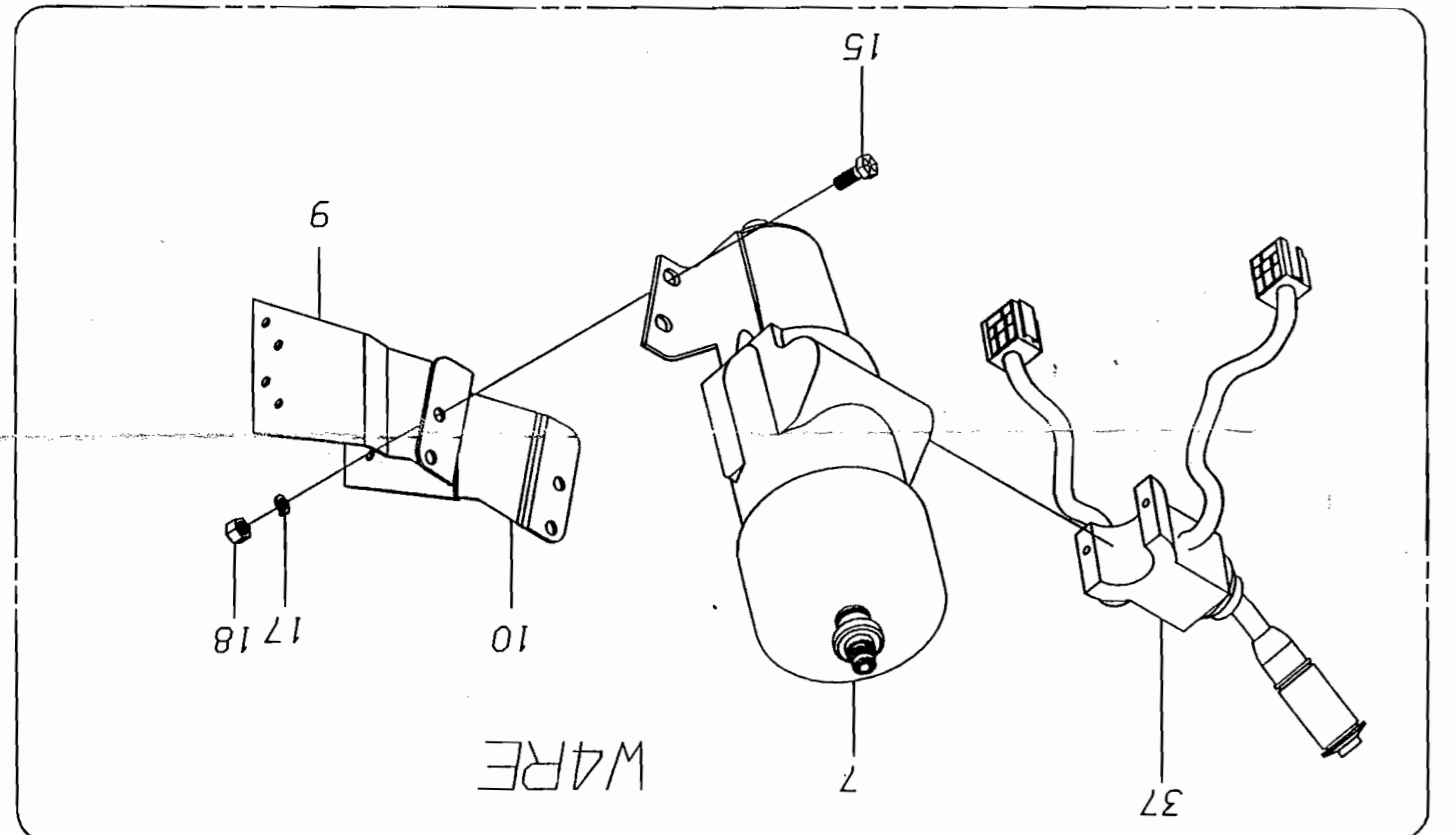
KEY PART-NO	DESCRIPTION	QTY
1	1970458 GEAR, POWER STEERING, TAS85, 21:1 RATIO	1
2	1970748 DRAG ROD ASSY, VERT JOINT	1
3	1928308 ARM, PITMAN, 2, 25X59 SERRATION X 11.25	1
4	1928266 GEAR BOX, TRANSFER, STEERING, 90DEG, 1:1R	1
5	1958727 SHAFT ASSY, SLIP, STRG, COL TO TRANS BOX	1
6	1885532 SHAFT ASSY, SLIP, STRG, TRANS BOX TO STRG	1
7	1948835 COLUMN ASSY, STEERING, TILT/TELESCOPING	1
8	0659979 NUT, HEX, FLANGE SER, 1/4-20, YEL ZN DICH	15
9	1988104 BRACKET, MTG, STEERING COLUMN, RH	1
10	1988112 BRACKET, MTG, STEERING COLUMN, LH	1
11	1990571 CLOSOUT, STEERING COLUMN	1
12	1988120 POST ASSY, STEERING COLUMN	1
13	1948843 BRACKET, MTG, TRANSFER BOX, STEERING GEAR	1
14	1928274 BRACKET, MTG, STEERING GEAR	1
15	0659979 NUT, HEX, FLANGE SER, 1/4-20, YEL ZN DICH	15
16	1107085 WASHER, FLAT, 13/32 X 13/16 X 3/32, HDN, BLK ZN	12
17	0882795 LOCKWASHER, SPLIT RING, 3/8, MED, YELLOW DICH	14
18	2001451 NUT, HEX HD, 3/8-16, YELLOW DICHROMATE	15
19	1247709 WASHER, FLAT, 17/64 ID X 5/8, YEL ZN DICH	15
20	1990589 BRACKET ASSY, CLOSOUT, SHAFT ASSY, STRG	1
21	0977132 CAPSCREW, HEX HD, 1/4-20 X 3/4, GR 5, YEL DICH	1
22	1886449 CAPSCREW, HEX HD, 7/8-9 X 3 1/2, GR8, YELZNDICH	4
23	0607036 WASHER, FLAT, 13/16 X 1 3/8 X 7/64 ZP, HRD	1
24	1021815 CAPSCREW, HEX HD, 3/4-10 X4 1/2, GR8, YELZNDICH	4
25	0933879 NUT, HEX HD, 3/4-10, PRVLG TORO, GR8, CAD MAX	1
26	1916980 CAPSCREW, HEX HD, 7/16-14 X 1 3/4, GR8, YELZNDH	4
27	0997080 NUT, HEX HD, 7/16-14, LOCKING, GR 8, CADMIUM MAX	4
28	1011428 WASHER, FLAT, 3/32 X 1 3/4 X 9/64, HDN, YEL ZN	4
29	1886456 NUT, HEX HD, 7/8-9, PRVLG TORO, GR8, YEL ZN DICH	4
30	0969816 SEALANT, LOCTITE, THREADLOCKER, 271 ADHESIVE	2
31	1420744 PIN, COTTER, 5/32 DIA X 1 1/2 LONG	2
32	2028546 WASHER, FLAT, 7/16 X 1 1/32 X 5/64, YL ZN	4
33	1928290 CAPSCREW, HEX HD, 3/8-16 X 4, GR8, YEL ZN DICH	4
34	0826297 NUT, HEX HD, 3/8-16 LOCK, YEL ZN DICH	4
35	1226174 INSULATION, INSTRUMENT PANEL POST	1
36	1791698 CHANNEL, ATTACHING, STEERING GEAR	1
37	1406065 SWITCH ASSY, TURN SIGNAL, SELF CANCELLING WL	1

PARTS LIST FOR WARE  
 PARTS LIST FOR BARE

TORQUE CHART	SIZE	FT.LB.
3/4-10	250-282	
7/8-9	407-454	
3/8-16	29-33	
DRAG LINK	110-125	



NOTES:  
 1. TIGHTEN NUTS, IF NECESSARY, TO LINE UP WITH HOLE FOR COTTER PIN. INSTALL COTTER PIN.  
 2. ALIGN MARK ON PITMAN ARM WITH MARK ON GEAR OUTPUT SHAFT FOR PROPER ORIENTATION. FOR APPROPRIATE INDEX MARK SEE NOTES ON PITMAN ARM DRAWING.  
 3. APPLY LOCITE (ITEM 33) TO THREADS ON NUT (ITEM 32) BEFORE INSTALLATION.  
 4. ALL HOSE ASSYS AND HOSES SHOULD BE LOOSED THE ENTIRE LENGTH. FOR RELATED PARTS SEE DIAGRAM, INSTL, FRAME RAIL COMPONENTS.  
 5. THE END OF THE DRAG ROD ASSY WITH THE BLUEBIRD PART NUMBER SHOULD BE INSTALLED IN THE PITMAN ARM AS SHOWN.  
 6. HOSES SHOULD BE ROUTED SO THAT THERE IS AT LEAST .50 DIA CLEARANCE FROM ALL MOVING PARTS.  
 7. SEE ENGINE AND TRANSMISSION FLUIDS CHART FOR TYPE AND QUANTITY OF POWER STEERING FLUID TO BE ADDED AT RESERVOIR.  
 8. FOR DRAG ROD ADJUSTMENT AND INSTALLATION SEE DRAG ROD ASSY VERTICAL JOINT DRAWING. STEERING GEAR SHOULD BE CENTERED WITH WHEELS STRAIGHT AHEAD AT NORMAL RIDE HEIGHT. DRAG LINK MAY BE ADJUSTED IF NECESSARY TO ACHIEVE THIS. DRAGLINK MUST REMAIN WITHIN ITS ALLOWABLE ADJUSTMENT RANGE.  
 9. WITH FLUID HOT CHECK POWER STEERING FLUID LEVEL PER DISTICK WITH ENGINE TURNED OFF AND THE FRONT WHEEL POSITIONED STRAIGHT AHEAD.



KEY PART-NO	DESCRIPTION	QTY
1	1970458 GEAR, POWER STEERING, TAS85, 21:1 RATIO	1
2	1970748 DRAG ROD ASSY, VERT JOINT	1
3	1928308 ARM, PITMAN, 2, 25X59 SERRATION X 11.25	1
4	1928266 GEAR BOX, TRANSFER, STEERING, 90DEG, 1:1R	1
5	1958727 SHAFT ASSY, SLIP, STRG, COL TO TRANS BOX	1
6	1885532 SHAFT ASSY, SLIP, STRG, TRANS BOX TO STRG	1
7	1948835 COLUMN ASSY, STEERING, TILT/TELESCOPING	1
8	0659979 NUT, HEX, FLANGE SER, 1/4-20, YEL ZN DICH	15
9	1988104 BRACKET, MTG, STEERING COLUMN, RH	1
10	1988112 BRACKET, MTG, STEERING COLUMN, LH	1
11	1990571 CLOSOUT, STEERING COLUMN	1
12	1988120 POST ASSY, STEERING COLUMN	1
13	1948843 BRACKET, MTG, TRANSFER BOX, STEERING GEAR	1
14	1928274 BRACKET, MTG, STEERING GEAR	1
15	0659979 NUT, HEX, FLANGE SER, 1/4-20, YEL ZN DICH	15
16	1107085 WASHER, FLAT, 13/32 X 13/16 X 3/32, HDN, BLK ZN	12
17	0882795 LOCKWASHER, SPLIT RING, 3/8, MED, YELLOW DICH	14
18	2001451 NUT, HEX HD, 3/8-16, YELLOW DICHROMATE	15
19	1247709 WASHER, FLAT, 17/64 ID X 5/8, YEL ZN DICH	15
20	1990589 BRACKET ASSY, CLOSOUT, SHAFT ASSY, STRG	1
21	0977132 CAPSCREW, HEX HD, 1/4-20 X 3/4, GR 5, YEL DICH	1
22	1886449 CAPSCREW, HEX HD, 7/8-9 X 3 1/2, GR8, YELZNDICH	4
23	0607036 WASHER, FLAT, 13/16 X 1 3/8 X 7/64 ZP, HRD	1
24	1021815 CAPSCREW, HEX HD, 3/4-10 X4 1/2, GR8, YELZNDICH	4
25	0933879 NUT, HEX HD, 3/4-10, PRVLG TORO, GR8, CAD MAX	1
26	1916980 CAPSCREW, HEX HD, 7/16-14 X 1 3/4, GR8, YELZNDH	4
27	0997080 NUT, HEX HD, 7/16-14, LOCKING, GR 8, CADMIUM MAX	4
28	1011428 WASHER, FLAT, 3/32 X 1 3/4 X 9/64, HDN, YEL ZN	4
29	1886456 NUT, HEX HD, 7/8-9, PRVLG TORO, GR8, YEL ZN DICH	4
30	0969816 SEALANT, LOCTITE, THREADLOCKER, 271 ADHESIVE	2
31	1420744 PIN, COTTER, 5/32 DIA X 1 1/2 LONG	2
32	2028546 WASHER, FLAT, 7/16 X 1 1/32 X 5/64, YL ZN	4
33	1928290 CAPSCREW, HEX HD, 3/8-16 X 4, GR8, YEL ZN DICH	4
34	0826297 NUT, HEX HD, 3/8-16 LOCK, YEL ZN DICH	4
35	1226174 INSULATION, INSTRUMENT PANEL POST	1
36	1791698 CHANNEL, ATTACHING, STEERING GEAR	1
37	1406065 SWITCH ASSY, TURN SIGNAL, SELF CANCELLING WL	1

PARTS LIST FOR WARE  
 PARTS LIST FOR BARE

DR. 11/10/97	BY MJC	APP. 11/10/97	1983584
INACTIVES NOS.			
TOLERANCE ON ALL DIMENSIONS IS .005 UNLESS OTHERWISE SPECIFIED.			
ON HINS NOT SCALE			
FINISH			
PAINT			
OTHER			
COLOR OR TYPE			
FLAT SIZE:			
MATERIAL:			
REV. 1			
REV. 2			
REV. 3			
REV. 4			
REV. 5			
REV. 6			
REV. 7			
REV. 8			
REV. 9			
REV. 10			
REV. 11			
REV. 12			
REV. 13			
REV. 14			
REV. 15			
REV. 16			
REV. 17			
REV. 18			
REV. 19			
REV. 20			
REV. 21			
REV. 22			
REV. 23			
REV. 24			
REV. 25			
REV. 26			
REV. 27			
REV. 28			
REV. 29			
REV. 30			
REV. 31			
REV. 32			
REV. 33			
REV. 34			
REV. 35			
REV. 36			
REV. 37			
REV. 38			
REV. 39			
REV. 40			
REV. 41			
REV. 42			
REV. 43			
REV. 44			
REV. 45			
REV. 46			
REV. 47			
REV. 48			
REV. 49			
REV. 50			
REV. 51			
REV. 52			
REV. 53			
REV. 54			
REV. 55			
REV. 56			
REV. 57			
REV. 58			
REV. 59			
REV. 60			
REV. 61			
REV. 62			
REV. 63			
REV. 64			
REV. 65			
REV. 66			
REV. 67			
REV. 68			
REV. 69			
REV. 70			
REV. 71			
REV. 72			
REV. 73			
REV. 74			
REV. 75			
REV. 76			
REV. 77			
REV. 78			
REV. 79			
REV. 80			
REV. 81			
REV. 82			
REV. 83			
REV. 84			
REV. 85			
REV. 86			
REV. 87			
REV. 88			
REV. 89			
REV. 90			
REV. 91			
REV. 92			
REV. 93			
REV. 94			
REV. 95			
REV. 96			
REV. 97			
REV. 98			
REV. 99			
REV. 100			

DR. 11/17/97	BY MRC	DATE 11/17/97	BY KY	NO. 0	REV. 1991793
SHEET 1 OF 2					
DIAGRAM, DUAL AIR BRAKE					
BLUE BIRD CORPORATION FORT VALLEY, GEORGIA, U.S.A.					
SCALE NONE					
MATERIAL:					
PLAT SIZE:					
FINISH:					
RAV <input type="checkbox"/> PAINT <input type="checkbox"/> OTHER <input type="checkbox"/>					
COLOR OR TYPE					
TOLERANCE ON ALL DIMENSIONS IS, PLUS OR MINUS UNLESS OTHERWISE SPECIFIED.					
SCALE					

FOR PARTS LIST AND ASSEMBLY NUMBERS SEE DRAWING #1991801  
 NOTE: NUMBERS WITH # ARE NOT IN ASSY.

