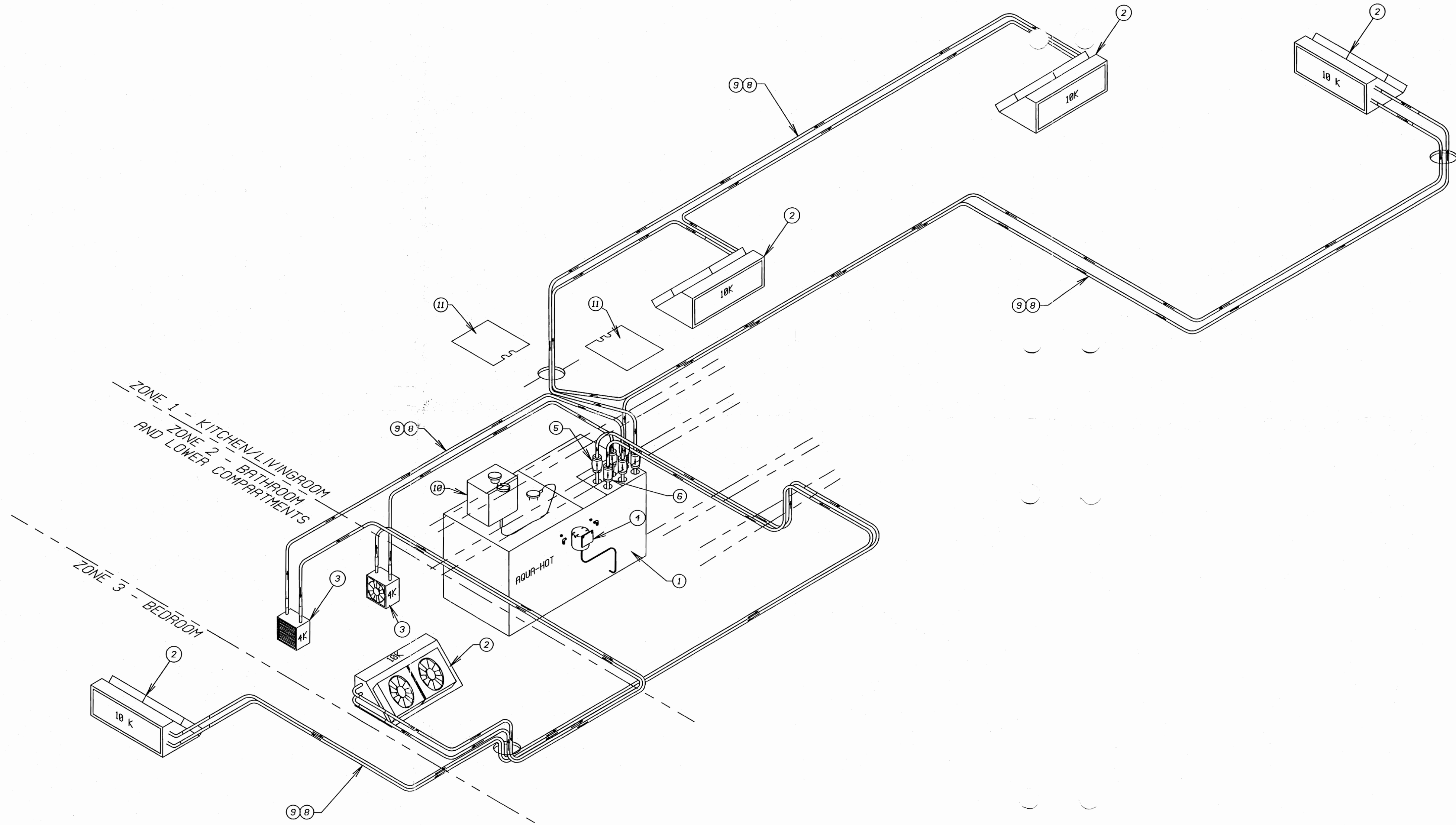


NO.	P/N	DESCRIPTION	QTY.
1.	3834710	VALVE, POWER DUMP	2
2.	6081129	TEE, ABS, DWV, LONG RAD TY, 3 INCH	1
3.	2200616	BUSHING, REDUCER, ABS, 2" X 1.5"	2
4.	2017333	PIPE, ABS, 1-1/2IN X 20FT, PIONEER BRAND	60'
5.	2250793	ELBOW, ABS, 1-1/2" X 90 DEGREE, LONG TURN	7
6.	6082051	ADAPTER, BAYONET, DUMP VALVE, BPC66V29-3B3	1
7.	2199453	PIPE, ABS, 3IN X 20FT, PIONEER BRAND	3'
8.	2198703	CAP & CHAIN, ABS, DUMP VALVE, 3 INCH	2
9.	3750676	STRAINER, SINK, KITCHEN, CORIAN, CHROME	2
10.	3903697	TAILPIEC, FLANGED, SINK, KITCHEN, 4 INCH, 2678C	2
11.	2193852	TRAP, P, ABS, W/DOUBLE SEAL UNION, 1.5IN	5
12.	0417618	TEE, SANITARY, ABS, 1.5 IN	2
13.	2273449	COUPLING, ABS, 1.5 IN	1
14.	2221554	ADAPTER, CLEANOUT, ABS, 1.5 IN	1
15.	2221588	VENT, CHECK, NO 140	1
16.	3741949	ADAPTER, TRAP, FEMALE, W/WASH NUT 1-1/2 X 1-1/4	2
17.	6036016	DRAIN, SHOWER, 1-1/2", POL BRASS	1
17.	6036024	DRAIN, SHOWER, 1-1/2", CHROME	1
18.	3796398	CONTINUOUS WASTE, CENTER OUTLET, 21 IN.	1
19.	2221406	ADPTER, TRAP, FITTING, NO 63-2801	3
20.	2017317	PIPE, ABS, 2IN X 20FT, PIONEER BRAND	20'
21.	0538314	TEE, SANITARY, ABS, 2" X 1.5" X 1.5"	1
22.	NPN	SCRAP WASTE ARM	1
23.	2017499	ELBOW, ABS, 1.5" X 45 DEGREE	3
24.	2250801	ELBOW, ABS, 2" X 90 DEGREE, LONG TURN	3
25.	2203453	CLAMP, WATER HOSE, 2IN	2
26.	2250785	ELBOW, ABS, 1.5" X 90 DEGREE, VENT	2
27.	3818598	VENT, ROOF, VAC, 3818572, IND/SLVR	1
28.	2210219	WYE, ABS, DWV 45, 2 INCH	2
29.	6093389	TANK, HOLDING, FRONT	1
30.	6093397	TANK, HOLDING, REAR	1

MATERIAL:								
FLAT SIZE:								
FINISH	COLOR OR TYPE	LET	REVISIONS	DR.	APP.	CK.	ECN	DATE
RAW <input type="checkbox"/>	PAINT <input type="checkbox"/>	9714B	Blue Bird Wanderlodge					SCALE
PRIME <input type="checkbox"/>	PLATING <input type="checkbox"/>		FORT VALLEY, GEORGIA, U.S.A.					NONE
	OTHER <input type="checkbox"/>	DIAGRAM ASSY., PLUMBING DRAINAGE						
TOLERANCES ON ALL DIMENSIONS IS PLUS <input type="checkbox"/>		STANDARD						1998 LXI
OR MINUS <input type="checkbox"/> UNLESS OTHERWISE SPECIFIED.		INACTIVATES NOS		6080642		DR. 11/12/97 BY AMW		SIZE
		REPLACED BY 110				APP. 11/12/97 BY AMW		C
						CK. BY		6098958



ITEM	P/N	DESCRIPTION	QUANTITY
1	600040	AQUA-HOT, 50000 BTU, 3 ZONE 12V, 920-431	1
2	3941958	CONNECTOR, 12V, 10000 BTU, PRIMUS	5 (SEE NOTE 1)
3	3941979	CONNECTOR, 12V, 4000 BTU, PRIMUS	2 (SEE NOTE 2)
4	6000076	FILTER ASSY, RACOR 120R, WITH 1/4 NPT PORTS	1
5	6053110	VALVE, CHECK, AQUA-HOT, 21130000QP	3 (SEE NOTE 3)
6	6001392	VALVE, CUTOFF, BALL, 1/4 TURN, 1/2 MPT X 1/2 FPT	3
7	0413153	HOSE, HEATER, WATER, 5/8 I.D.	20FT (SEE NOTE 4)
8	6000923	TUBING, 1/2 I.D., WARSBO HEPEX, 180F X 100PSI	200FT
9	1103271	LOOP, CORRUGATED, BLACK NYLON, 3/4 I.D.	200FT
10	6053102	BOTTLE, EXPANSION TANK, W/BRKT., 10550000QP	1 (SEE NOTE 3)
11	6000964	COVER, ACCESS HOLE, PLUMBING, HYDRONIC HEAT	2
ITEMS NOT SHOWN ON DRAWING			
12	0557710	CLAMP, CLOSED TYPE, INSL., 13/16, 1645	10
13	0854307	COVERING, FR, SMOOTH, BLK, 1/8 X 3/8-3/16 X 30YD	10" (041)
14	0877597	VALVE, CHECK	2
15	1142001	INSERT, BARBED, 5/8 I.D. HOSE X 1/2 PIPE	2
16	1409085	ELBOW, BARBED INSERT, 1/4 HOSE X 1/4 MPT	1
17	1409093	ELBOW, BARBED INSERT, 3/8 HOSE X 1/4 MPT	1
18	1569105	ADAPTER, BARBED INSERT, 3/8 HOSE X 3/8 PIPE	2
19	1589300	CLIP, WIRE AND TUBE CLAMP, 1/8 - 1/4 FLANGE	5
20	1722297	ANTIFREEZE, LOW SILICATE, ETH. GLY. BASE W/DCA4	18 GALLONS
21	2193878	BRACKET, WALL MFG, 7/8 X 7/8 X 3/4	6
22	2211118	BOX, RECEPTACLE, WEATHERPROOF	1
23	6094710	ELBOW, COPPER, 1/2 BARB X 1/2 BARB	16
24	3758596	COUPLING, 1/2 PIPE, BRASS	2
25	6094726	SLEEVE, CRAMPING, 1/2 BARB	32
26	6051379	DEFLECTOR, HEATER	1
27	6074462	PIPE, 1-1/4 BIP, THREAD ONE-END	1
28	6000065	THERMOSTAT, LOW TEMP., 40-80 DEGREES	1
29	6000907	CONNECTOR, 1/2 MPT X 1/2 POLY TUBE	6
30	6000931	CLAMP, CONSTANT TENSION, FOR 1/2 POLY TUBING	32
31	6001301	SUPPORT, 90 BEND, 5/8 OD POLY TUBE, WFS11050	30
32	6001335	BRACKET, CONNECTOR	8
33	6001384	ELBOW, 1-1/4 PIPE, 90 DEG., GALVANIZED	1
34	6001459	CLAMP, EXHAUST, 1-1/2 U-BOLT	1
35	6001475	ELBOW, RUBBER, 5/8 I.D., 90 DEG.	8
36	6001483	HOSE, 5/16, RUBBER, W-H H05705	2FT
37	6001814	GRILL, CONNECTOR, 4000 BTU	2
38	6074892	CLAMP, MUFFLER, 1-5/8 OD PIPE	1
39	6078512	PIPE, EXHAUST, AQUA-HOT, DRAV SIDE EXIT	1
40	6078521	NIPPLE, PIPE, 1-1/4 X 3" LONG, BIP	1
41	6001046	ADAPTER, BARBED INSERT, 3/8 FPT X 3/8 BARB	2
42	6001913	GRILL, CONNECTOR, 1000 BTU, FRM COVER	2

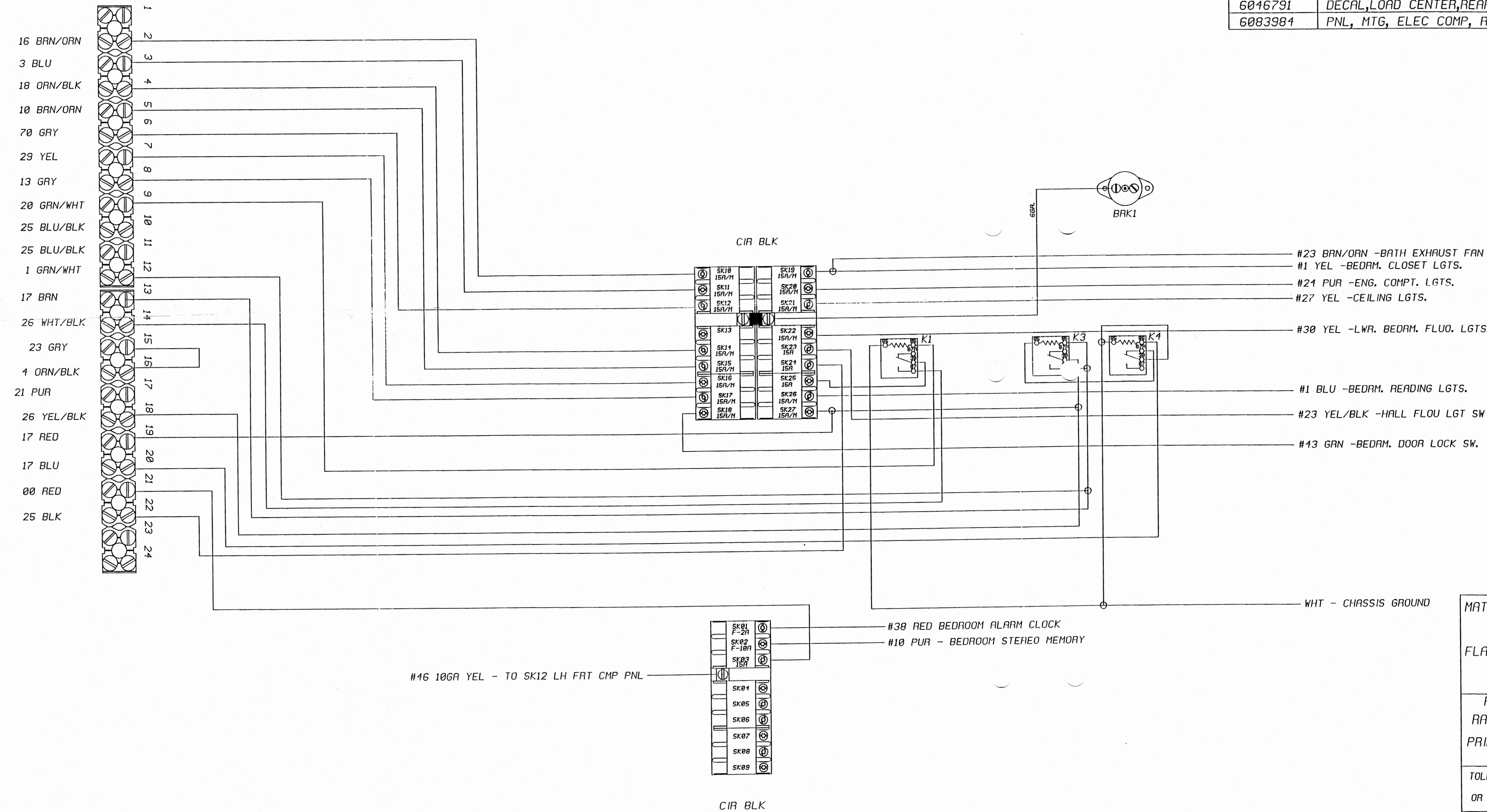
NOTES: 1. NUMBER OF HEAT EXCHANGERS MAY VARY ACCORDING TO FLOOR PLAN.  
 2. 4000 BTU HEAT EXCHANGERS WILL ALWAYS BE REQUIRED FOR BAY HEAT.  
 3. THESE PARTS SUPPLIED WITH THE AQUA-HOT SYSTEM ITEM #1.  
 4. THIS HEATER HOSE IS USED TO ADAPT FROM THE 1/2 INCH TUBING TO THE COPPER INLET/OUTLET TUBES ON THE HEAT EXCHANGERS.

MATERIAL:										
FLAT SIZE:										
FINISH	COLOR OR TYPE									
RAW <input type="checkbox"/>	PAIN <input type="checkbox"/>									
PRIME <input type="checkbox"/>	PLATING <input type="checkbox"/>									
	OTHER <input type="checkbox"/>									
TOLERANCES ON ALL DIMENSIONS IS PLUS										
OR MINUS		UNLESS OTHERWISE SPECIFIED.								
INACTIVATES NOs		DR.	11/12/97	BY	J.CHRISS	SIZE				
REPLACED BY NO		APP.		BY						
		CK.		BY						
		REVISIONS			DR.	APP.	CK.	ECN	DATE	
		Blue Bird Wanderlodge							SCALE	N/A
		FORT VALLEY, GEORGIA, U.S.A.							DIAGRAM, INSTALLATION, AQUA-HOT HEATING	
									WLXI	
									6098933	



PART NO.	DESCRIPTION	QTY.	REFERENCE DESIGNATION
0527655	TERMINAL, SLIDE, 1/4, 10GA, INSULATED	A.R.	
1077718	RELAY, BOSCH	4	K1-4
1218478	TUBING, HEAT SHRINK, INSL, RED, 3/8 DIA	A.R.	
2007409	TERMINAL, BUTT CONN, 14-16 GA, INSULATED	A.R.	
2274223	TIE, CABLE, 4 IN	A.R.	
3768041	BREAKER, CIRCUIT, 12V, 50AMP, CLA	1	BRK1
3791373	TIE, CABLE, 7 IN W HOLE	A.R.	
3802949	DIODE, 3 AMP	2	
3833115	SCREW, SM, PH, OVAL HD, 6-20 X 1	10	TERMINAL STRIP
3846870	CONNECTOR, BUTT, SEAMLESS, INSULATED, 10-12 GA	A.R.	
3847688	WASHER, LOCK, INTN & EXT TOOTH, 1/4	4	BRK1

PART NO.	DESCRIPTION	QTY.	REFERENCE DESIGNATION
3851235	TAPE, DOUBLE STICK	A.R.	
3858735	SCREW, SM, PH, TH, 10-16 X 3/4	7	K1-K4
3861242	TERMINAL, RING, NO 6, 1/4 STUD	1	BRK1
3865557	WIRE, HAPLON	A.R.	6 GA
3865763	WIRE, THIN INSULATION, MIL-SPEC, 14GA ORN	A.R.	
3866258	BREAKER, CIRCUIT, 15AMP, 12VDC	4	SK3, SK23-SK25
3866274	BLADE, FUSE, POWER BLOCK	2	CIR BLK
3866704	FUSE, 2AMP	1	SK1
3866712	FUSE, 10AMP	1	SK2
3902640	TERMINAL, SLIDE, FEMALE, 1/4, INSL 14-16GA	A.R.	
3962792	TERMINAL BLOCK, 12 WAY	3	T/S1-T/S28
6046049	BREAKER, 15 AMP, MANUAL RESET	14	SK10-SK12, SK14-SK22, SK26, SK27
6046791	DECAL, LOAD CENTER, REAR	1	
6083984	PNL, MTG, ELEC COMP, REAR 96 WLWB	1	



TERMINAL #	LABEL - DESCRIPTION
1	
2	#16 - BRN/ORN - WATER FILL SWITCH
3	#3 - BLU - UPPER BEDROOM FLUOR. LGTS
4	#18 - ORN/BLK - AIR CONDITIONING RELAYS
5	#10 - BRN/ORN - AISLE LGTS
6	#70 - GRAY - BEDROOM ANTENNA CONTROL
7	#29 - YEL - BEDROOM UPPER FLOW LGTS
8	#13 - GRAY - BEDROOM TV ANTENNA MOTOR
9	#20 - GRN/WHT - REAR PARKING LGTS
10	#25 - BLU/BLK - LH REAR LANDING LIGHT
11	#25 - BLU/BLK - LH FRONT LANDING LIGHT
12	#1 - GPN/WHT - WATER PUMP POWER
13	#12 - GRN - WATER PUMP SWITCH ON
14	#26 - WHT/BLK - REAR HALOGEN
15	
16	#23 - GRAY - SECURITY LGTS
17	#4 - ORN/BLK - SECURITY LIGHT SWITCH
18	#21 - PUR - LH LANDING LIGHT SWITCH
19	#26 - YEL/BLK - BATHROOM ELEC HEAT ENABLE RELAY
20	#17 - BED - WATER PUMP SWITCH POWER
21	
22	
23	
24	
25	#17 - BLU - WATER PUMP SWITCH OFF
26	#00 - RED - AC THERMSTATS
27	
28	

MATERIAL:

FLAT SIZE:

FINISH COLOR OR TYPE

RAW  PAINT

PRIME  PLATING

OTHER

TOLERANCES ON ALL DIMENSIONS IS PLUS

OR MINUS  UNLESS OTHERWISE SPECIFIED.

INACTIVATES NOS: 6083836

REPLACED BY NO:

LET REVISIONS DR. APP. CK. ECN DATE

ECN: ??? Blue Bird Wonderlodge FORT VALLEY, GEORGIA, U.S.A. SCALE: ----

DIAGRAM ASSY, ELECTRICAL COMPONENT PANEL, REAR, 12VDC

1996 WLWB

ORG. DR. 11/26/97 BY T.J.H.H.E.S.

APP. 11/26/97 BY T.J.H.H.E.S.

SIZE: 98W4R1

ASSEMBLY #1

1905447 VALVE ASSY, TAG AXLE LIFT WLWB

KEY PART-NO	DESCRIPTION	QTY
11 0839019	VALVE, SAFETY, 1/4IN PIPE, BW NO284142	1
34 1082619	HOSE ASSY, BRAKE, 7/16 X 30 IN LONG	1 (A)
35 1900729	NIPPLE, HEX, 3/4 MPT, BRASS	1
38 1900737	ELBOW, 90DEG, MALE, 269JJ, 3/4 MPT X 3/4 T	1
39 1900745	BUSHING, 3/4 MPT, 3/8 FPT, BRASS	4
41 1900240	VALVE, SUSP, AIR CNTRL, 3-WAY, TAG LIFT WLWB	1
42 0557686	CONNECTOR, MALE, THRD SLVE 1/8 T 1/8 P 6200X2	1
43 1900695	CROSS, 3/4 FPT FEMALE, ALL PORTS	1
44 2027134	BUSHING, PIPE, 3/8 X 1/4	1
45 2027142	BUSHING, PIPE, 3/8 X 1/8 BRASS	1
60 1900893	BRACKET, MOUNTING, VALVE AIR CONTROL, 3-WAY	1
(A) 74 0991653	HOSE ASSY, BRAKE, 7/16 X 36 IN LONG	1
(B) 75 1919604	INSERT, NYLON TUBE FITTING, 3/4, 1484X12	1
NI 0559195	CAPSCREW, HEX HD, 3/8-16 X 1, GR 8, YEL ZN DICH	2
NI 0882795	LOCKWASHER, SPLIT RING, 3/8, MED, YELLOW DICH	2
(F) NI 1781392	CONNECTOR, 2F, 150 SERIES, METRI-PACK	1
NI 1781400	LOCK, SECONDARY, 2 POSITION, METRI-PACK	1
NI 1461466	SEAL, WIRE, CBL/DIA. 080-. 112, RD, 150S, M/P	2
(N) NI 1460922	TERMINAL, SOC, 16-20 GA, 150 SERIES, METRI-PACK	2

ASSEMBLY #2

1915594 VALVE ASSY, TAG AXLE DUMP WLWB

KEY PART-NO	DESCRIPTION	QTY
21 2023539	BUSHING, PIPE, 1/2 MPT X 3/8 FPT, 230808	1
22 1344043	ELBOW, 90 DEG, MALE, 1469X6X6-Z, .38MP X .38T	1
25 1010065	TEE, STREET, 3/8 PIPE 3750 X 6	1
27 1900711	TEE, FEMALE RUN, 3/4 FPT, BRASS	2
33 1900703	CONNECTOR, MALE, 1468X12X12-Z, 3/4 MPTX3/4 T	2
35 1900729	NIPPLE, HEX, 3/4 MPT, BRASS	2
37 1895168	VALVE, SUSP, AIR CNTRL, 1/2NPT PORTS, 3WAY WLWB	1
39 1900745	BUSHING, 3/4 MPT, 3/8 FPT, BRASS	1
40 1344100	ELBOW, 90 DEG, MALE, 1469X4X6-Z, .38 MP X .25 T	1
44 2027134	BUSHING, PIPE, 3/8 X 1/4	1
47 1900752	ADAPTER, 1/2 NPTM, 3/4 NPTF	1
48 1344084	ELBOW, 90 DEG, MALE, 1469X8X8-Z, .50 MP X .5 T	1
68 0982918	INDICATOR, LOW PRESSURE, LP-3, 30 PSI	1
(G) NI 1781392	CONNECTOR, 2F, 150 SERIES, METRI-PACK	1
(H) NI 1781400	LOCK, SECONDARY, 2 POSITION, METRI-PACK	1
(J) NI 1461466	SEAL, WIRE, CBL/DIA. 080-. 112, RD, 150S, M/P	2
(N) NI 1460922	TERMINAL, SOC, 16-20 GA, 150 SERIES, METRI-PACK	2

ASSEMBLY #3

1905462 VALVE ASSY, DRIVE AXLE BOOST WLWB

KEY PART-NO	DESCRIPTION	QTY
18 1538917	ELBOW, 90 DEG, MALE, 1469X6X8-Z, 1/2 MPT X 3/8T	1
21 2023539	BUSHING, PIPE, 1/2 MPT X 3/8 FPT, 230808	1
22 1344043	ELBOW, 90 DEG, MALE, 1469X6X6-Z, .38MP X .38T	1
23 1889567	VALVE, SUSP, AIR CNTRL, DRIVE AXLE BOOST WLWB	1
25 1010065	TEE, STREET, 3/8 PIPE 3750 X 6	1
29 1538941	CONNECTOR, MALE, 1468X6X6-Z, 3/8MPT X 3/8 T	1
59 1900885	PLATE, MTG, VALVE, AIR CONTROL, 2-WAY WLWB	1
(E) NI 1161868	CONNECTOR, 2 CIRC, TOWER, WEATHERPACK	1
NI 1154582	SEAL, WIRE, CBL/DIA. 111-. 137, GY, W/P, M/P	2
NI 1605716	TERMINAL, PIN, 18-20 GA, WEAHTERPACK	2

ASSEMBLY #4

1905470 VALVE ASSY, LEVELING VALVE, BYPASS WLWB

KEY PART-NO	DESCRIPTION	QTY
15 1414382	CONNECTOR, MALE, 1468X4X4-Z, .25 MP X .25T	4
46 1895176	VALVE, SOL, 2 WAY, 1/4 NPT, NO, LVLG VLV, BY-PASS	2
61 1900901	BRACKET, MOUNTING VALVES, AIR SOLENOID WLWB	1
NI 3754728	SCREW, MACH, 10-32 X 1/4, PH1, PAN HD, YELZNDICH	4
NI 2001162	LOCKWASHER, SPLIT RING, 3/16, MED, YEL ZN DICH	4
(E) NI 1161868	CONNECTOR, 2 CIRC, TOWER, WEATHERPACK	2 (L)
NI 1154582	SEAL, WIRE, CBL/DIA. 111-. 137, GY, W/P, M/P	4 (M)
NI 1605716	TERMINAL, PIN, 18-20 GA, WEATHERPACK	4 (M)

ASSEMBLY #5

1904481 RESERVOIR ASSY, DRIVE AXLE BOOST WLWB

KEY PART-NO	DESCRIPTION	QTY
14 0991513	RESERVOIR, 9 1/2 X 27 - 1760 CU IN	1
21 2023539	BUSHING, PIPE, 1/2 MPT X 3/8 FPT, 230808	2
22 1344043	ELBOW, 90 DEG, MALE, 1469X6X6-Z, .38MP X .38T	1
26 2027241	ELBOW, STREET, 3/8, 3400X6	1
29 1538941	CONNECTOR, MALE, 1468X6X6-Z, 3/8MPT X 3/8 T	1
30 0877597	VALVE, CHECK	1
63 0417550	PLUG, PIPE, 1/2, GALV	2
64 1110188	COCK, RESERVOIR DRAIN, BW-103385	1

ASSEMBLY #6

1904499 RESERVOIR ASSY, TAG AXLE LIFT WLWB

KEY PART-NO	DESCRIPTION	QTY
24 1881119	RESERVOIR, 1760 CU IN, 3/4 IN. END PORTS	1
26 2027241	ELBOW, STREET, 3/8, 3400X6	1
29 1538941	CONNECTOR, MALE, 1468X6X6-Z, 3/8MPT X 3/8 T	1
30 0877597	VALVE, CHECK	1
38 1900737	ELBOW, 90DEG, MALE, 269JJ, 3/4 MPT X 3/4 T	1
39 1900745	BUSHING, 3/4 MPT, 3/8 FPT, BRASS	2
63 0417550	PLUG, PIPE, 1/2, GALV	1
64 1110188	COCK, RESERVOIR DRAIN, BW-103385	1
(B) 75 1919604	INSERT, NYLON TUBE FITTING, 3/4, 1484X12	1

ASSEMBLY #7

1904507 MANIFOLD ASSY, AIR SUPPLY, AIR SUSPENSION WLWB

KEY PART-NO	DESCRIPTION	QTY
1 2008050	BUSHING, BRASS, JK DR, AIR, 3220X4X2Z	2
2 1164870	VALVE, CHECK, 1/8 PIPE, HUMPHREY C-125	2
3 1538925	ELBOW, 90, MALE, 1469X6X2-Z, 1/8MPT X 3/8 T	1
4 2027233	ELBOW, STREET, 1/4, 3400X4Z	2
5 1340371	ELBOW, 90 DEG, MALE, 1469X4-Z, .13MP X .25T	1
8 2051381	NIPPLE, BRASS, 1/8 CLOSE 3326 X 2	2
9 2023083	FITTING, MANIFOLD, 212322	1
29 1538941	CONNECTOR, MALE, 1468X6X6-Z, 3/8MPT X 3/8 T	1
62 2023513	PLUG, PIPE, 1/4	6

ASSEMBLY #8

1904515 MANIFOLD ASSY, FRONT SUSPENSION WLWB

KEY PART-NO	DESCRIPTION	QTY
9 2023083	FITTING, MANIFOLD, 212322	1
15 1414382	CONNECTOR, MALE, 1468X4X4-Z, .25 MP X .25T	3
62 2023513	PLUG, PIPE, 1/4	4
68 0982918	INDICATOR, LOW PRESSURE, LP-3, 30 PSI	1

ASSEMBLY #9

1915586 VALVE ASSY, DRIVE AXLE, PILOT RELAY, LEFT-HAND WLWB

KEY PART-NO	DESCRIPTION	QTY
7 0982280	VALVE, RELAY, PILOT CONTROL	1
10 1344092	ELBOW, 90 DEG, MALE, 1469X4X4-Z, .25 X .25 T	1
15 1414382	CONNECTOR, MALE, 1468X4X4-Z, .25 MP X .25 T	1
19 0654277	TEE, STREET, 1/4 PIPE, 3750X4	1
68 0982918	INDICATOR, LOW PRESSURE, LP-3, 30 PSI	1
73 1542505	TEE, MALE RUN, 1471X4-Z, 1/8 MPT X 1/4 TUBE	1

ASSEMBLY #10

1915578 VALVE ASSY, DRIVE AXLE, PILOT RELAY, RIGHT-HAND WLWB

KEY PART-NO	DESCRIPTION	QTY
6 1344829	CONNECTOR, MALE, 1468X4-Z, .13 MP X .25 T	1
7 0982280	VALVE, RELAY, PILOT CONTROL	1
10 1344092	ELBOW, 90 DEG, MALE, 1469X4X4-Z, .25 X .25 T	1
15 1414382	CONNECTOR, MALE, 1468X4X4-Z, .25 MP X .25 T	1
19 0654277	TEE, STREET, 1/4 PIPE, 3750X4	1
68 0982918	INDICATOR, LOW PRESSURE, LP-3, 30 PSI	1

NOTE: 1. FOR SCHEMATIC LAYOUT OF EACH ASSEMBLY SEE DRAWING NO. 1915552 DIAGRAM, AIR SUSPENSION SYSTEM 42FT WLWB  
2. TRIM ALL SOLENOID CABLE LENGTHS ON ASSY'S 1, 2, 3, & 4 TO 6 INCHES.

REV	DESCRIPTION	DATE	BY	APP	CCN
N	1828417	REPLACED PART NUMBER	AL	8/20/97	12110C
M	2	CHANGED QUANTITY	AL	8/20/97	12110C
L	1	CHANGED QUANTITY	AL	8/20/97	12110C
K	1460930	REPLACED PART NUMBER	AL	8/20/97	12110C
J	1154582	REPLACED PART NUMBER	AL	8/20/97	12110C
H	1613645	REPLACED PART NUMBER	AL	8/20/97	12110C
G	1829316	REPLACED PART NUMBER	AL	8/20/97	12110C
F	1877299	REPLACED PART NUMBER	AL	8/20/97	12110C
E	1161850	REPLACED PART NUMBER	AL	8/20/97	12110C
D	1613629	REPLACED BY 1460930	CJ	1/20/98	9999
C	1613611	REPLACED BY 1829316	CJ	1/20/98	9999
B	----	ADDED INSERT # 75	RF	1/20/98	9999
A	2-#34	ADDED HOSE ASSY # 74	RF	7-26	11820P

MATERIAL: \_\_\_\_\_  
 FLAT SIZE: \_\_\_\_\_  
 FINISH: RAW  PAINT  COLOR OR TYPE: \_\_\_\_\_  
 PRIME  OTHER   
 TOLERANCE ON ALL DIMENSIONS IS, PLUS \_\_\_\_\_ DO NOT SCALE  
 OR MINUS \_\_\_\_\_ UNLESS OTHERWISE SPECIFIED.  
 INACTIVATES NOS. 1905439

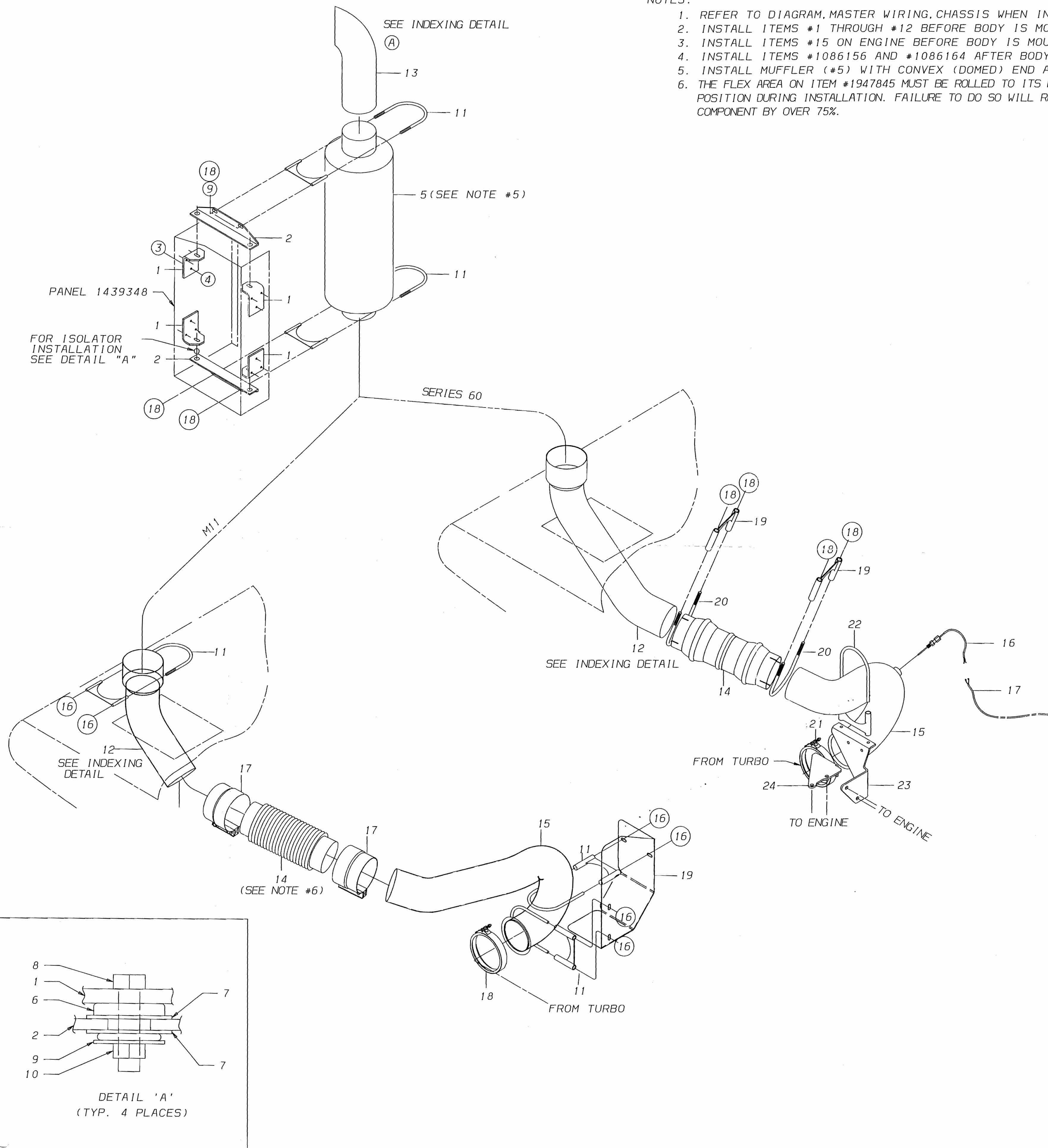
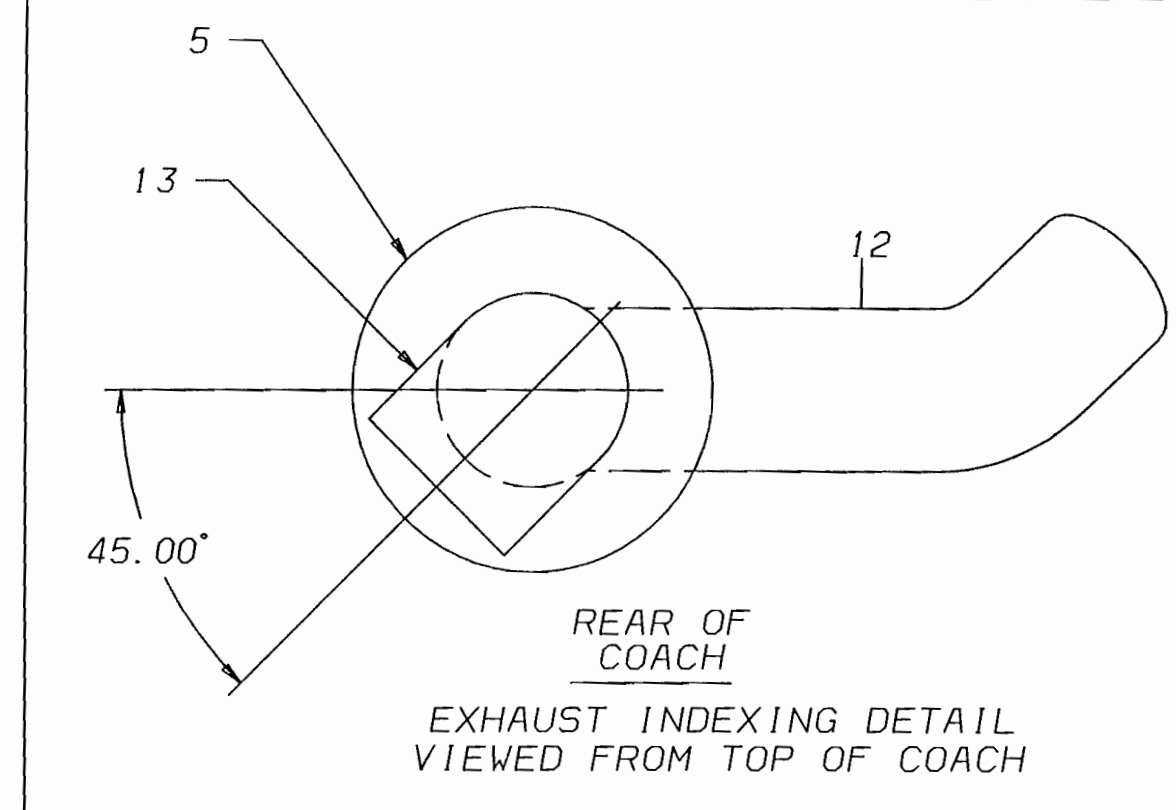
CGN 11820M BLUE BIRD CORPORATION FORT VALLEY GEORGIA, U.S.A. SCALE \_\_\_\_\_  
 CHART, VALVE ASSY'S, AIR SUSPENSION SYSTEM  
 42FT WLWB  
 DR. 06/04/96 BY JDT  
 APP. 06/04/96 BY ECH  
 1915560 PAGE 34

ktawler FRAME 1 AUGUST 20, 1997 16.51.23



NOTES:

1. REFER TO DIAGRAM, MASTER WIRING, CHASSIS WHEN INSTALLING ITEM #1086164
2. INSTALL ITEMS #1 THROUGH #12 BEFORE BODY IS MOUNTED ON CHASSIS
3. INSTALL ITEMS #15 ON ENGINE BEFORE BODY IS MOUNTED ON CHASSIS
4. INSTALL ITEMS #1086156 AND #1086164 AFTER BODY IS MOUNTED ON CHASSIS
5. INSTALL MUFFLER (#5) WITH CONVEX (DOMED) END AT TOP
6. THE FLEX AREA ON ITEM #1947845 MUST BE ROLLED TO ITS FULLY EXTENDED POSITION DURING INSTALLATION. FAILURE TO DO SO WILL REDUCE THE LIFE OF THIS COMPONENT BY OVER 75%.



SERIES 60

M11

RCDA 11886Y \$00MCKY 11.40.56 17. 1997 1 DECEMBER 1997

KEY PART-NO -----DESCRIPTION----- -QTY-

1	1435138	BRACKET, MUFFLER SUPPORT, ROOF EXIT EXH	WLWB	4
2	1569334	ANGLE, MUFFLER SUPPORT, 6 IN EXH, ROOF EX	WLWB	2
3	2001394	RIVNUT, NC, 1/4		12
4	1044650	CAPSCREW, HEX, FLANGE 1/4-20X7/8	STAINLESS W/DOG PT.	12
5	1569425	MUFFLER, 6 IN INLET/OUTLET	WLWB	1
6	1327428	ISOLATOR, RUBBER, LORD CB-1120-3		4
7	0958504	WASHER, FLAT, 1 1/2 X 3/4 1/16 THK, NYLON		8
8	2028363	BOLT, HEX3/8-16X1 1/4, GR5, PHOS&OIL, YELZNDICH		4
9	1328632	WASHER, FLAT, .06 X .406 ID X 1.125 OD, BLK ZN		4
10	0839027	NUT, HEX HD, 3/8-16, GR G, SM FLG LK, YEL ZNDICH		4
11	1569326	U-BOLT ASSY, 6 IN, ZINC PLATED		2
12	1867597	PIPE, EXHAUST, FLEXPipe TO MUFFLER	WLWB	1
13	1576651	TAILPIPE, EXHAUST, 6.00 O.D., CHR, 13" LG	WLWB	1
14	1954825	CONNECTOR, FLEXIBLE, EXH, 5" ID, DBL BALL JOINT		1
15	1867498	PIPE, EXHAUST, TURBO TO FLEXPipe	WLWB	1
16	1096156	THERMOCOUPLE, 4 TO 6 EXHAUST		1
17	1096164	WIRE, LEAD, 12FT		1
18	0543934	NUT, HEX HD, 3/8-16, ZINC, LG FLG LK, YEL ZNDICH		8
19	1660844	SADDLE, 5.00 IN		2
20	1560835	U-BOLT, 5.00 IN		2
21	1735976	CLAMP, V-BAND, 5 INCH		1
22	093915	CLAMP, EXHAUST PIPE, 5IN		1
23	1564816	BRACKET, EXHAUST SUPPORT, SERIES 60		1
24	1964824	BRACKET, SUPT, TURBO PIPE BRACE, SERIES 60		1

KEY PART-NO -----DESCRIPTION----- -QTY-

1	1436138	BRACKET, MUFFLER SUPPORT, ROOF EXIT EXH	WLWB	4
2	1569334	ANGLE, MUFFLER SUPPORT, 6 IN EXH, ROOF EX	WLWB	2
3	2001394	RIVNUT, NC, 1/4		12
4	1044650	CAPSCREW, HEX, FLANGE 1/4-20X7/8	STAINLESS W/DOG PT.	12
5	1569425	MUFFLER, 6 IN INLET/OUTLET	WLWB	1
6	1327428	ISOLATOR, RUBBER, LORD CB-1120-3		4
7	0958504	WASHER, FLAT, 1 1/2 X 3/4 1/16 THK, NYLON		8
8	2028363	BOLT, HEX3/8-16X1 1/4, GR5, PHOS&OIL, YELZNDICH		4
9	1328632	WASHER, FLAT, .06 X .406 ID X 1.125 OD, BLK ZN		4
10	0839027	NUT, HEX HD, 3/8-16, GR G, SM FLG LK, YEL ZNDICH		4
11	1569326	U-BOLT ASSY, 6 IN, ZINC PLATED		5
12	1950997	PIPE, EXHAUST, FLEXPipe TO MUFFLER, M11	RCDA	1
13	1576651	TAILPIPE, EXHAUST, 6.00 O.D., CHR, 13" LG	WLWB	1
14	1947845	CONNECTOR, FLEXIBLE EXHAUST, SS, 5.01D-1D18" LG		1
15	1947092	PIPE, EXHAUST, TURBO TO FLEX PIPE, M11	RCDA	1
16	0543934	NUT, HEX HD, 3/8-16, ZINC, LG FLG LK, YEL ZNDICH		10
17	1250851	CLAMP, EXHAUST, WIDE BAND, 5IN		2
18	1735976	CLAMP, V-BAND, 5 INCH		1
19	1960269	SHIELD, HEAT, EXHAUST PIPE, M11	RCDA	1

MATERIAL:					
FLAT SIZE:		LET.	VAS	REVISIONS	DR. APP.
FINISH		CCN 11886Y BLUE BIRD CORPORATION FORT VALLEY GEORGIA, U.S.A.			
RAW <input type="checkbox"/> PAINT <input type="checkbox"/>		DIAGRAM, EXHAUST SYSTEM, ROOF EXIT			
PRIME <input type="checkbox"/> OTHER <input type="checkbox"/>		RCDA			
TOLERANCE ON ALL DIMENSIONS IS, PLUS OR MINUS UNLESS OTHERWISE SPECIFIED.		DO NOT SCALE			
INACTIVATES NOS. 1907666 & 1949387		DR. 11/17/97 BY MFC			
		APP. 11/17/97 BY KY			
		D 1995141			

