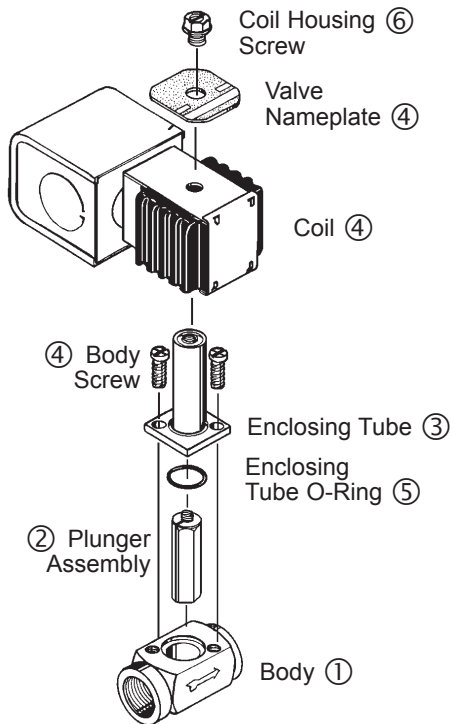


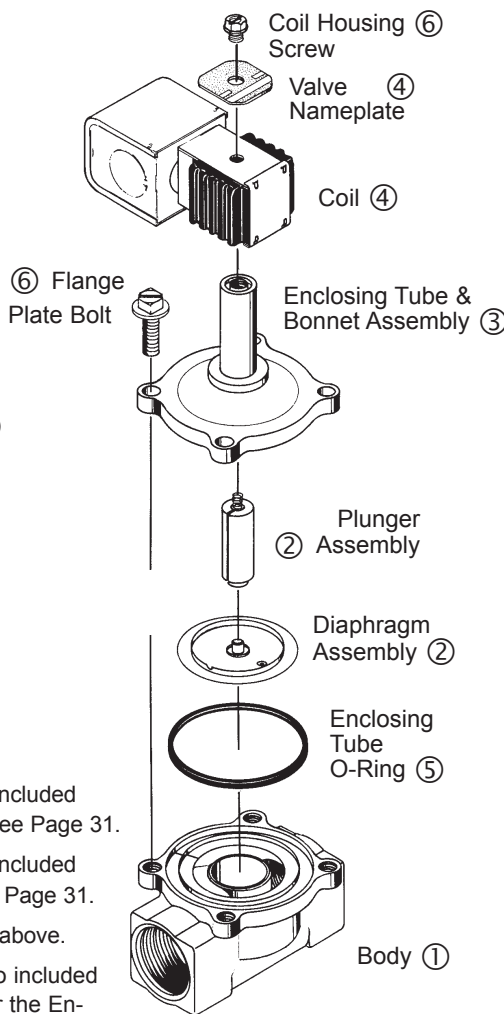
PART NUMBER	PART DESCRIPTION DRAWINGS BELOW TABLE	VALVE TYPE and QUANTITY OF PART REQUIRED PER VALVE								
		W3	W6	W14	W19	W25	R183	R184	R246	XOF/XJH
<b>INDUSTRIAL SERIES</b>										
2071-3	Body Screw	2								4
13444-1	Closing Spring			1						
13683-1					1	1				
1390-000	Coil Housing Screw	1	1	1	1	1	1	1	1	1
14115	Valve Nameplate	Specify valve type, voltage, and frequency								
1328-14	Enclosing Tube O-Ring	1								
621-15										1
638-132	Enclosing Tube Gasket *						1	1	1	
14000-1			1							
14000-3					1					
14000-4						1				
14000-5							1			
13128-2	Enclosing Tube Locknut			1						
13256-2			1							
13552-1						1				
13681-1							1			
15052-4	Flange Plate Bolt						4	4	4	
MKC-1	Coil (Specify voltage & frequency)	1	1				1	1	1	1
MKC-2				1	1	1				

\* See Table on Page 20 regarding part numbers for the enclosing tube gasket and the new wolverine gasket.

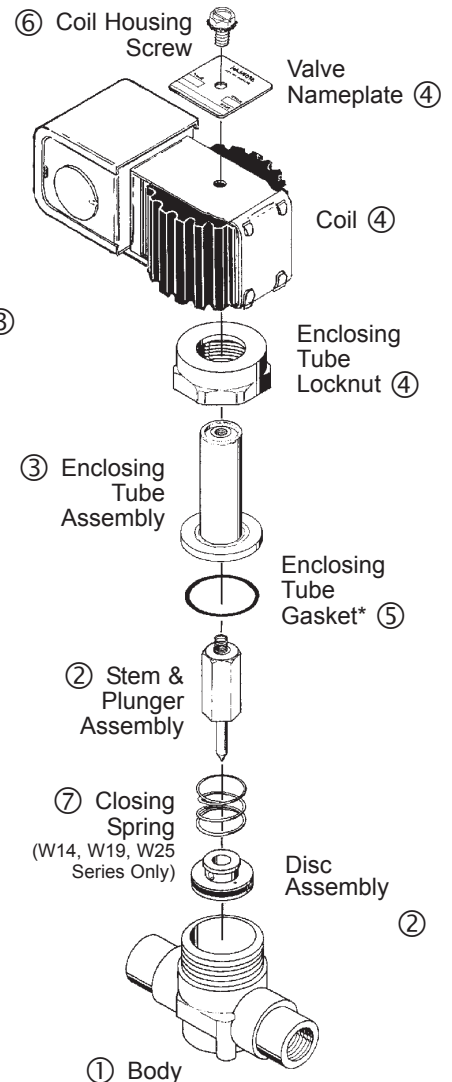
**TYPE W3, XOF, XJH**



**TYPE R183, R184, R246**



**TYPE W6 to W25**



- ① Replacement part **not** available.
- ② Part is **not** available separately, but **is** included with the Disc or Diaphragm Parts Kit. See Page 31.
- ③ Part is **not** available separately, but **is** included with the Enclosing Tube Parts Kit. See Page 31.
- ④ Part **is** available separately. See Chart above.
- ⑤ Part **is** available separately, and **is** also included with the Disc or Diaphragm Parts Kit or the Enclosing Tube Parts Kit. See Page 31.
- ⑥ Part **is** available separately and **is** also included with the Enclosing Tube Parts Kit. See Page 31.
- ⑦ Part **is** available separately and **is** also include with the Disc Parts Kit. See Page 31.