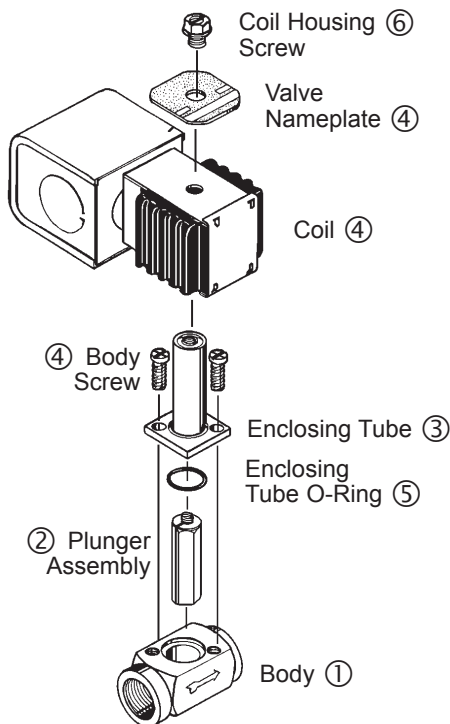


PART NUMBER	PART DESCRIPTION DRAWINGS BELOW TABLE	VALVE TYPE and QUANTITY OF PART REQUIRED PER VALVE									
		W3	W6	W14	W19	W25	R183	R184	R246	XOF/XJH	
INDUSTRIAL SERIES											
2071-3	Body Screw	2									4
13444-1	Closing Spring			1							
13683-1					1	1					
1390-000	Coil Housing Screw	1	1	1	1	1	1	1	1	1	
14115	Valve Nameplate	Specify valve type, voltage, and frequency									
1328-14	Enclosing Tube O-Ring	1									
621-15											1
638-132	Enclosing Tube Gasket *						1	1	1		
14000-1			1								
14000-3				1							
14000-4					1						
14000-5						1					
13128-2	Enclosing Tube Locknut			1							
13256-2			1								
13552-1						1					
13681-1							1				
15052-4	Flange Plate Bolt						4	4	4		
MKC-1	Coil (Specify voltage & frequency)	1	1				1	1	1	1	
MKC-2				1	1	1					

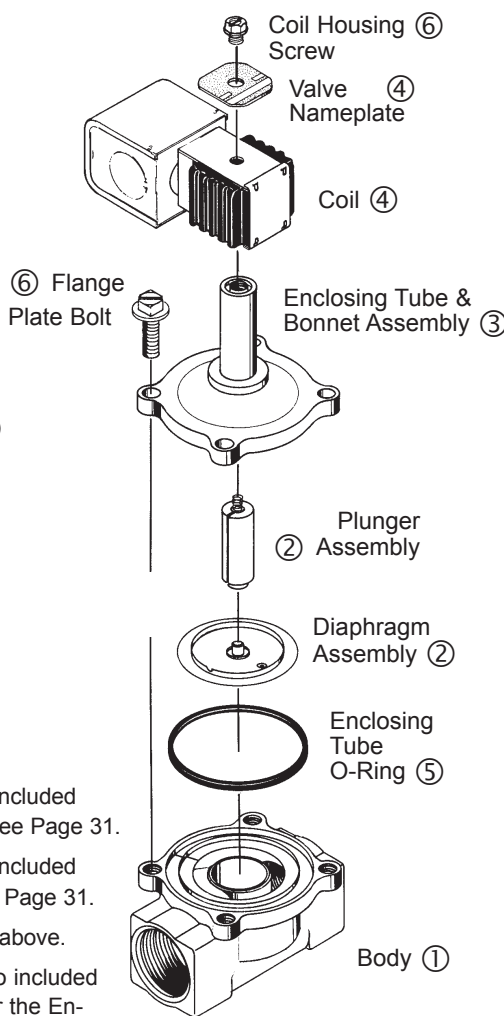
* See Table on Page 20 regarding part numbers for the enclosing tube gasket and the new wolverine gasket.

TYPE W3, XOF, XJH



- ① Replacement part **not** available.
- ② Part is **not** available separately, but **is** included with the Disc or Diaphragm Parts Kit. See Page 31.
- ③ Part is **not** available separately, but **is** included with the Enclosing Tube Parts Kit. See Page 31.
- ④ Part **is** available separately. See Chart above.
- ⑤ Part **is** available separately, and **is** also included with the Disc or Diaphragm Parts Kit or the Enclosing Tube Parts Kit. See Page 31.
- ⑥ Part **is** available separately and **is** also included with the Enclosing Tube Parts Kit. See Page 31.
- ⑦ Part **is** available separately and **is** also include with the Disc Parts Kit. See Page 31.

TYPE R183, R184, R246



TYPE W6 to W25

