

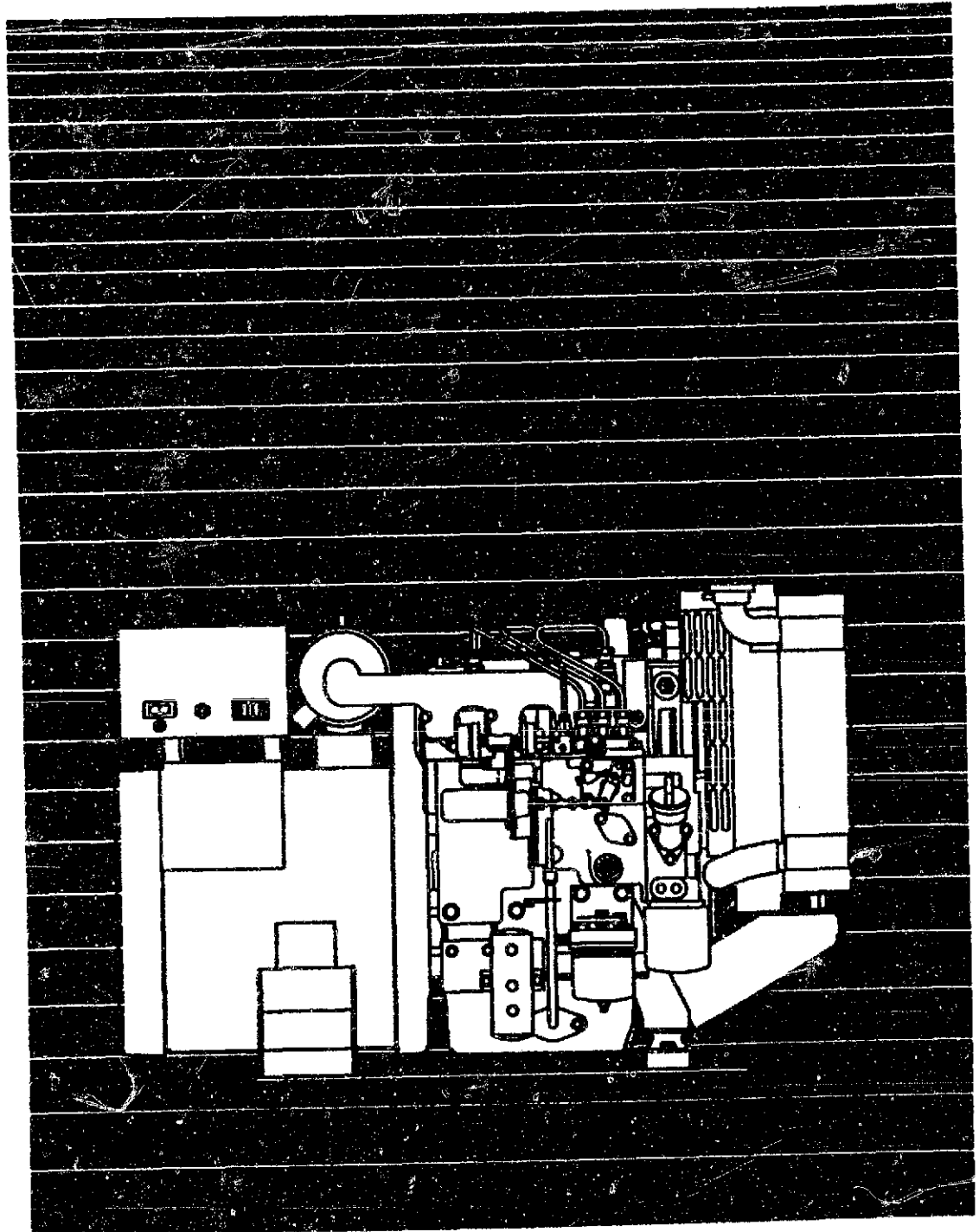
The following catalog has gaps in its page numbers, or doesn't have any numbers. We have chosen to leave the page numbering in the order that Acrobat assigns it.

Onan

GenSet

Parts Manual

DKD



Printed in U.S.A.

981-0223
3-95

Replaces 1-89 (Spec A-C)
Redistribution or publication of this document
by any means, is strictly prohibited.

Index

- Adapter, Generator 16
Adjuster, Idle - Governor 37
Alarm/Tight - Water Sensor 35
Alternator 43,44
Alternator, Components 44
Arm, Rocker 5
Armature, Starter 17
Assembly, Bracket - Radiator 47
Assembly, Box - Control 55
Assembly, Control - Speed 38
Assembly, Stop 37
- Baffle, Breather 4
Bearing, Ball 23
Bearing, Crankshaft 9
Bearing, Sleeve 9
Belt, Drive - Alternator 43
Belt, Drive - Water Pump 48
Block, Cylinder 7
Bolt, Eye 18
Box, Control 55
Bracket, Adjusting 43
Bracket, Lifting - Cylinder Head 6
Bracket, Lifting - Generator Adapter 16
Bracket, Mounting - Solenoid 37,14
Bracket, Stop Lever 37
Bracket, Support - Overspeed Contact & Switch 39
Breaker, Circuit 56
Bushing, Sleeve 11
- Cap 37
Cap, Oil Fill 4,12
Cap, Radiator 47
Cleaner Assembly, Air 41,42
Clutch, Starter 17
Cock, Drain - Radiator 47
Cock, Valve 13
Coil, Field - Starter 17
Collet, Spring 5
Control 53
Control, Idle - Governor 37
Cover, Cylinder Head 4
Cover, Thermostat 49
Crankcase 7
Crankshaft 9
Cross, Pipe - Iron 15
Cup, Pickup - Oil 13
Cup, Sealing - Cylinder Block 7
Cup, Sealing - Cylinder Head 6
Cushion, Air Cleaner 41
- Diaphragm, Fuel Pump 23
Drain Assembly 31
- Elbow, Pipe - Street, 90° 13,14,27
Element, Breather 4
Element, Filter 35
Element, Filter - Air Cleaner 42
Exhaust, Adapter 21
- Fan, Pusher (4 Blade) 43
Fan, Suction 43
Filter, Fuel Pump 29,33
Filter, Oil 12
Filter, Separator 27,31,35
Flange, Shaft - Water Pump 48
Flywheel 16
Follower, Cam 36
Frame 60,61
- Gasket, Cylinder Block 7
Gasket, Cylinder Head 6
Gasket, Exhaust - Manifold 21
Gear, Ring 16
Gasket, Governor - Style I 12
Gearcase, Style I & II 12
Generator 59
Grommet 55,59
Guard, Belt - Radiator 47
Guide, Oil Indicator 13
Guide, Valve - Inlet & Exhaust 6
- Harness, Wiring - Engine to Control Head, Cylinder 6
Heater, Engine (Mod) 50
Holder, Bearing 10
Holder, Fuse 40
Holder, Lever - Governor 36
Holder, Weight 23
Hood, Air Inlet 42
Housing, Control - Speed 38
Housing, Drive End - Starter 17
Housing, Oil Fill 12
Housing, Thermostat 49
Hose, Overflow 62
Hose, Radiator - Preformed 47
- Impeller 48
Indicator, Oil Level 13
Insulator, Terminal 17
- Joint, Ball 37
- Kit, Replacement - Pump Assy 35
- Lever, Control - Speed 38
Lever, Drive - Starter 17
Lever, Governor 36
Lever, Stop 37
Line, Fuel - Flexible 14,27,29
Line, Fuel - Injection 18
Liner, Cylinder 7
- Manifold, Inlet and Exhaust 21
Mount, Vibration 47,60,61
- Nozzle, Injection - Fuel 18,19
- O-Ring, Gearcase 12,13
- Pan, Oil 13
Pin, Piston 9
Pin, Straight - Headless 23
Piston 9
Plate, Breather 4
Plate, Cover - Bearing 10
Plate, Cover - Cylinder Block 7
Plate, Cover (Style I Governor) 12
Plate, Locking - Bolt/Nut 16
Plate, Mounting - Fuel Filter 27,29,31,33
Plate, Mounting - Fuel Pump 31,33
Plate, Retaining 11,23
Plug, Drain 29,33
Plug, Glow (12 VDC) 10
Plug, Pipe - Socket Drive 12,49
Point, Contact - Electrical 39
Pulley, Alternator 43
Pulley, Water Pump 48

Index

Pump, Fuel - Electrical 29,31,33
Pump, Fuel - Mechanical 23,27,29
Pump, Injection - Components 24
Pump, Injection - Fuel 23
Pump, Oil 7
Pump, Water 48

Radiator (Includes Cap) 47
Regulator, Voltage 40
Relay 53
Retainer, Ball - Governor 23
Retainer, Spring 5
Ring, Retaining 11,17,23
Ring Set, Piston 9
Rod, Connecting 9
Rod, Push 11
Roller 23
Rotor 59

Saddle, Mounting - Control 55
Seal, Oil - Crankshaft 10,12
Sender, Pressure (E1) 14,15
Sender, Temperature - Engine Coolant (E2) 6
Shaft Assembly, Fuel 23
Shaft, Rocker Arm 5
Shield, Breather 4
Shim, Cylinder Head 6
Shim, Injection Nozzle 19
Shroud, Fan - Radiator 47
Sleeve, Crankshaft 9
Slinger, Oil 9

Solenoid 17,37,14
Spacer 11,13
Spacer, Mounting - Fuel Filter 27
Spacer, Sleeve 60,61
Spring, Compression 5
Spring, Governor 36
Starter 16
Stator, Generator 59
Strap, Bonding 56,60,61
Stud 21,23,37,9,49,38
Support, Engine 60,61
Support, Saddle 55
Switch, Overspeed 39
Switch, Pressure (S1) & (S6) 14,15
Switch, Thermostatic (S2) 49
System, Cooling 47

Tank, Recovery 62
Tappet 11,24
Tee, Pipe 50
Tee, Pipe - Brass 14
Tee, Pipe - Iron 15
Thermostat 49

Valve, Cock 13
Valve, Exhaust 5
Valve, Inlet 5
Valve, Relief - Pressure 12
Vent, Air 29,33

Weight, Governor (Includes Pivot Pine) :

Introduction

This Parts Manual applies to the Standard Generator Sets listed below. The illustrations are arranged in groups of related items, and each part or assembly is identified by a Reference Number. All parts illustrated are typical, and unless otherwise mentioned in the description column of the parts lists, the parts are interchangeable between models.

These typical illustrations are subject to change and reflect only the latest replacement parts arrangement. The Right and Left side of the Set are determined by FACING the engine end (Front) of the Set.

NOTICE!

VARIATIONS WITHIN MODEL(S)

- I. GOVERNOR: Style I has a flyball type system; Style II has a flyweight type system (See the Gearcase Illustration for visual external differences, and the Fuel System - Injection Pump for internal differences.)

Set Data Table

MODEL IDENTIFICATION	RATING	MODEL IDENTIFICATION	RATING
6.0 DKD-*/#Ⓜ	6,000 WATTS	7.5 DKD-*/#Ⓜ	7,500 WATTS

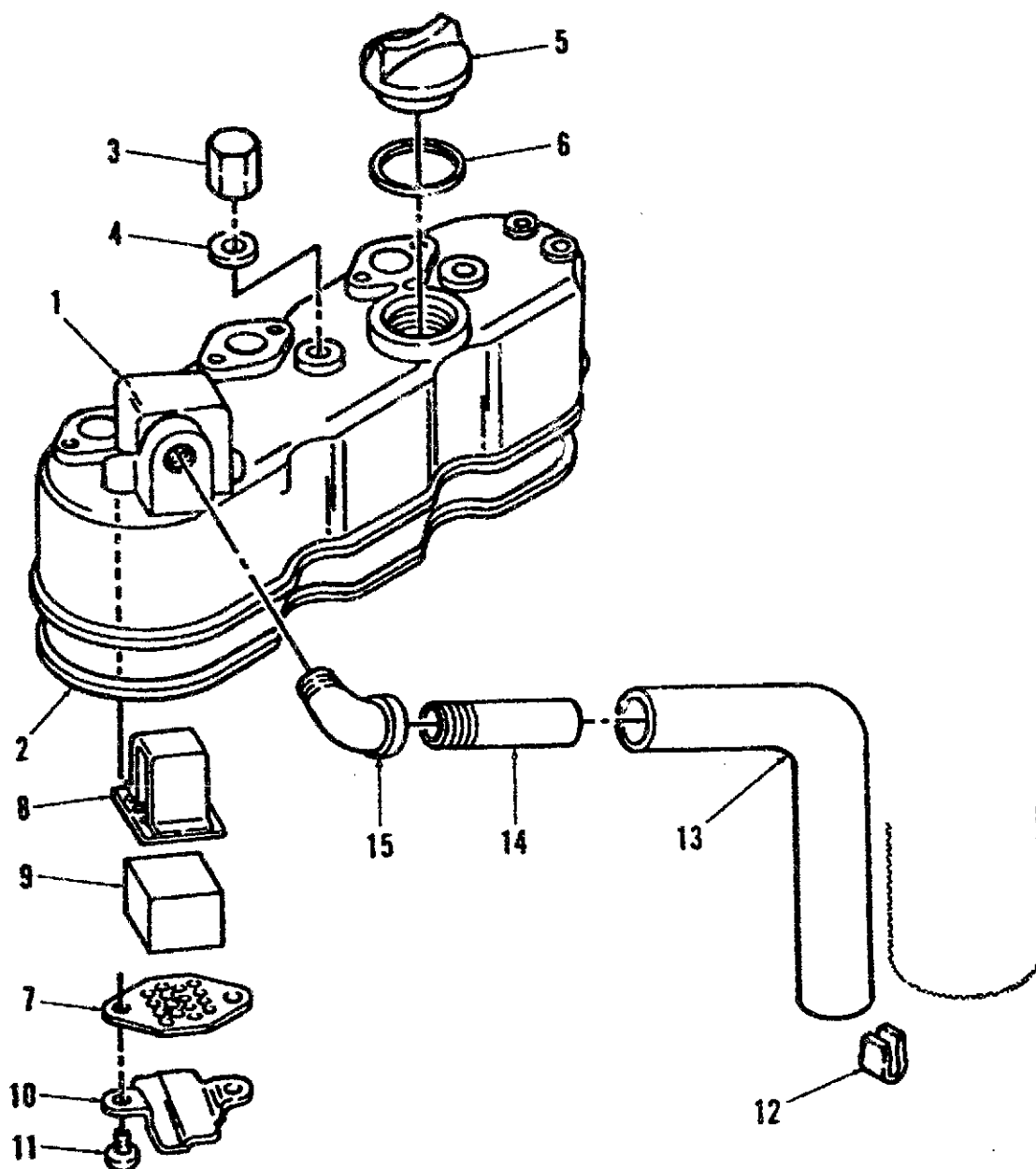
- * - Voltage Codes follow model letter designations.
- # - Specification Number: Number 1 is Standard, all others indicate variations.
- Ⓜ - Specification Letter: Letter advances (A to B, B to C, etc) with major manufacturing changes.
- + - These Generators are reconnectible, refer to Operator's Manual for wiring data.

Electrical Data Table

B - 120/240 Volt, 60 Hertz, 1 Phase, 3 Wire
 C - 120/208 Volt, 60 Hertz, 3 Phase, 4 Wire
 D - 120/240 Volt, 60 Hertz, 3 Phase, 4 Wire
 G - 277/480 Volt, 60 Hertz, 3 Phase, 4 Wire
 J - 120/240 Volt, 60 Hertz, 3 Phase, 4 Wire
 L - Reconnectible, 60 Hertz (Broad Range)
 P - 120/240 Volt, 50 Hertz, 1 Phase, 4 Wire
 Z - Reconnectible, 50 Hertz (Broad Range)
 R - Special (Specification Number Req'd to Identify)

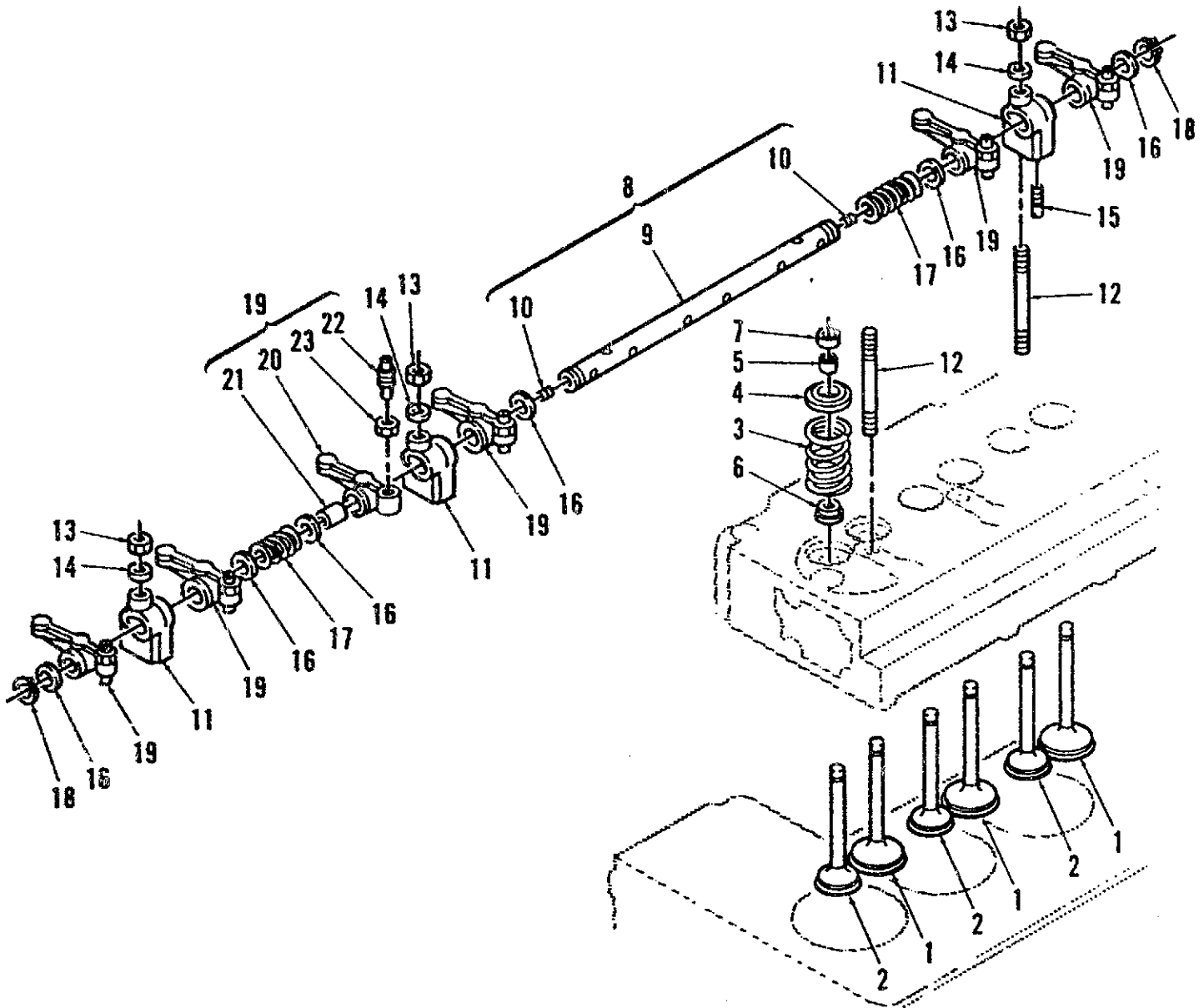
1 - 120 Volt, 1 Phase, 2 Wire
 3 - 120/240 Volt, 1 Phase, 3 Wire
 3C - 120/240 Volt, 1 Phase, 4 W (Reconnectible)
 4 - 120/208 Volt, 3 Phase, 4 Wire
 4X - 277/480 Volt, 3 Phase, 4 Wire
 5D - 120/240 Volt, 3 Phase, 4 W (Delta Wound)
 9X - 347/600 Volt, 3 Phase, 4 Wire
 18 - Broad Range, 1 & 3 Phase, 12 Wire

Valve Cover & Breather



REF NO.	PART NO.	QTY USED	PART DESCRIPTION	REF NO.	PART NO.	QTY USED	PART DESCRIPTION
1	185-2280	1	Cover, Cylinder Head	10	185-2288	1	Shield, Breather
2	185-2217	1	Gasket	11	185-2384	2	Screw, Machine - Pan Head with Lockwasher
3	185-2290	3	Nut, Cap	12	518-0449	1	Clip, Retaining
4	185-2291	3	Seal, Oil	13	503-1321	1	Hose, Rubber (7/16" ID x 5/8" OD x 26-1/2" LG)
5	185-2093	1	Cap, Oil Fill	14	505-0302	1	Nipple, Pipe - Half
6	185-2349	1	O-Ring	15	505-0011	1	Elbow, Pipe - Street, 90°
7	185-2287	1	Plate, Breather				
8	185-2230	1	Baffle, Breather				
9	185-2232	1	Element, Breather				

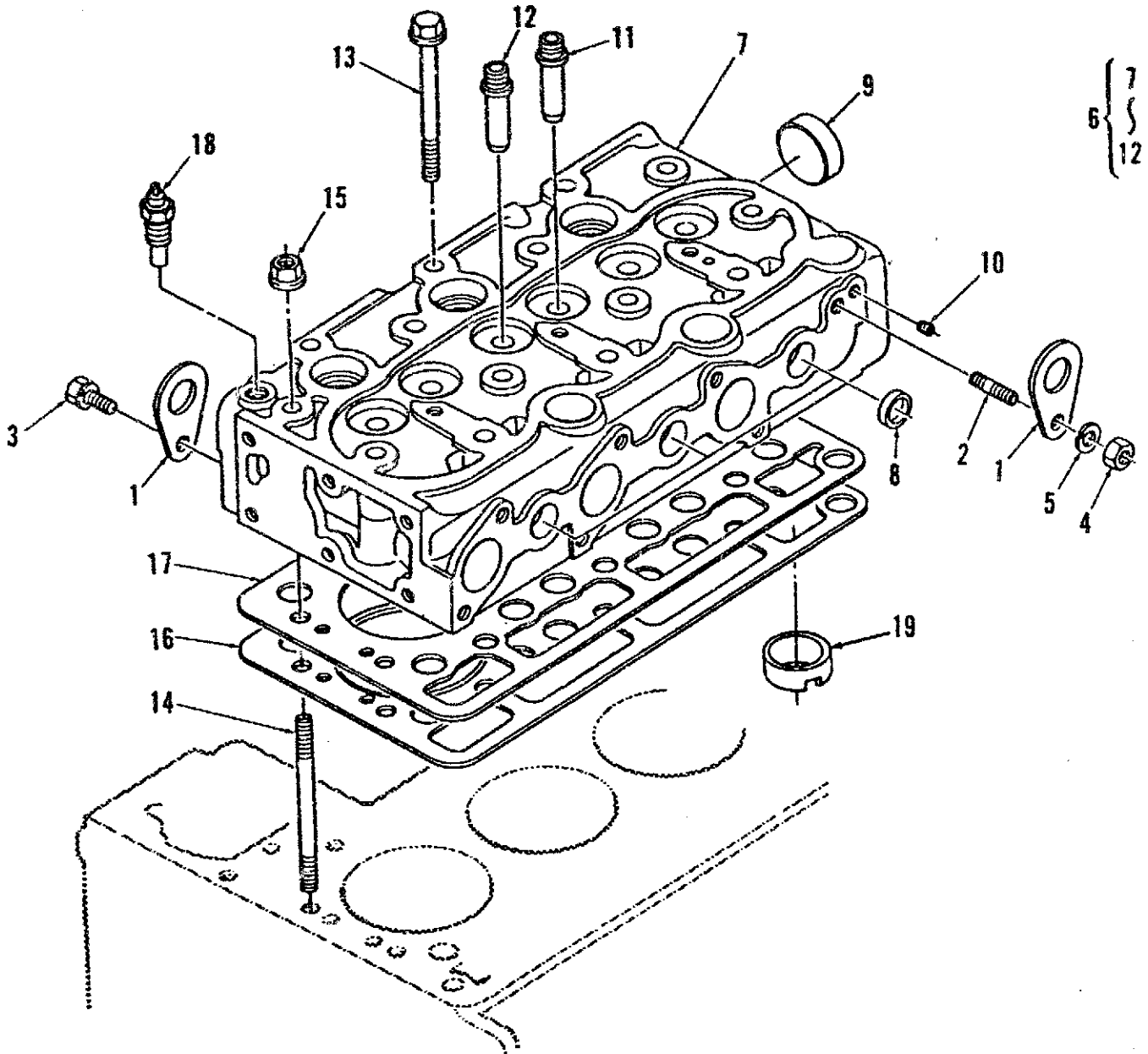
Rocker Arm



VT-1031

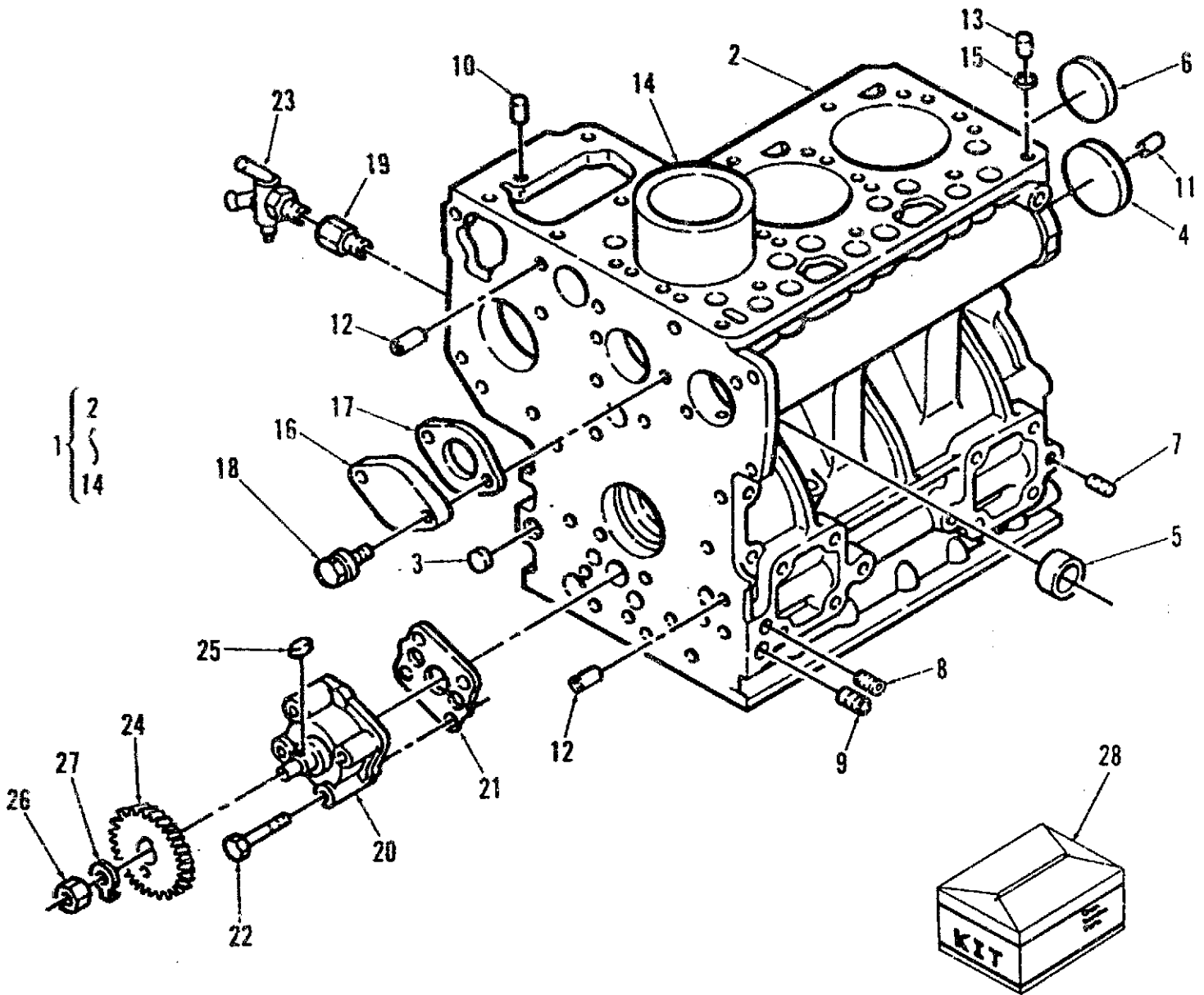
REF. NO.	PART NO.	QTY. USED	PART DESCRIPTION	REF. NO.	PART NO.	QTY. USED	PART DESCRIPTION
1	185-2060	3	Valve, Inlet	12	185-2292	3	Stud
2	185-2061	3	Valve, Exhaust	13	185-2179	3	Nut, Hex
3	185-2079	6	Spring, Compression	14	185-2184	3	Washer, Flat
4	185-2076	6	Retainer, Spring	15	185-2072	1	Setscrew
5	185-2077	12	Collet, Spring	16	185-2073	6	Washer, Flat
6	185-2078	3	Seal, Oil - Inlet Valve	17	185-2070	2	Spring, Compression
	185-2431	3	Seal, Oil - Exhaust Valve	18	185-2368	2	Ring, Retaining
7	185-2080	6	Cap. Valve Stem	19	185-2062	6	Rocker Arm
8	185-2215	1	Shaft, Rocker Arm	20	NFS		Arm
9	NFS		Shaft	21	185-2063	6	Bushing, Sleeve
10	185-2228	2	Setscrew	22	185-2407	6	Adjusting Screw
11	185-2216	3	Bracket, Support	23	185-2408	6	Nut, Hex

Cylinder Head



REF NO.	PART NO.	QTY USED	PART DESCRIPTION	REF NO.	PART NO.	QTY USED	PART DESCRIPTION
1	185-2414	2	Bracket, Lifting	11	185-2068	3	Guide, Valve - Inlet
2	185-2361	1	Stud	12	185-2069	3	Guide, Valve - Exhaust
3	185-2399	1	Screw, Cap - Hex Head with Lockwasher (M8 x 1.25 x 16mm)	13	185-2053	12	Bolt, Hex - Cylinder Head
4	185-2367	1	Nut, Hex (M8 x 1.25)	14	185-2052	2	Stud
5	185-2381	1	Washer, Lock - Spring (M8)	15	185-2054	2	Nut, Hex
6	185-2049	1	Head, Cylinder	16	185-2056	1	Gasket, Cylinder Head
7	NFS	1	Head, Cylinder	17	185-2057	2	Shim
8	185-2413	5	Cup, Sealing	18	193-0318	1	Sender, Temperature - Engine Coolant (E2)
9	185-2411	1	Cup, Sealing	19	185-2477	1	Combustion Chamber
10	185-2186	2	Plug, Pipe - Socket Drive				

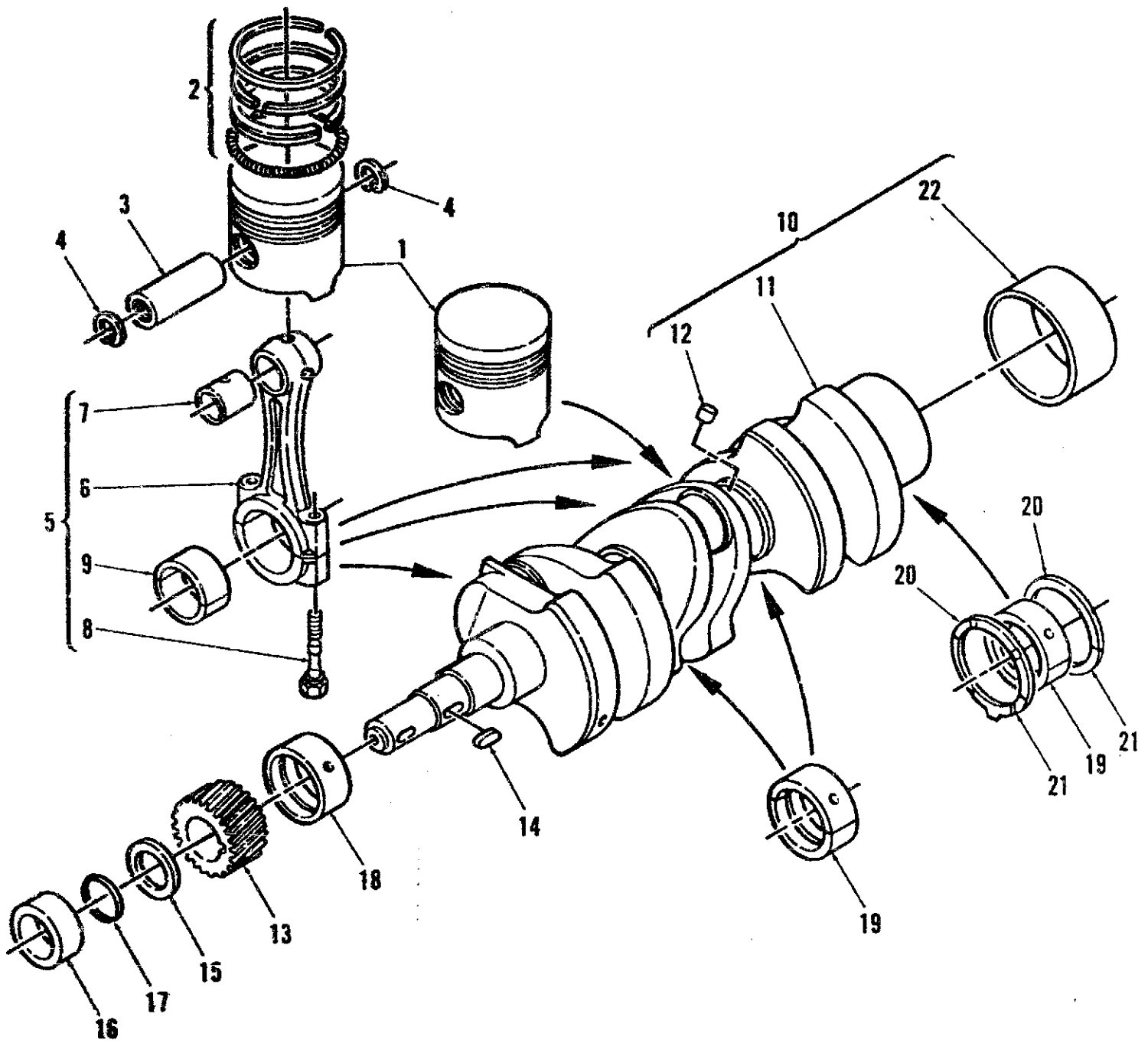
Cylinder Block & Oil Pump



C-1099

REF. NO.	PART NO.	QTY. USED	PART DESCRIPTION	REF. NO.	PART NO.	QTY. USED	PART DESCRIPTION
1	185-2001	1	Crankcase	15	185-2095	1	O-Ring
2	NFS		Block	16	185-2176	1	Plate, Cover
3	185-2355	3	Plug, Expansion	17	185-2177	1	Gasket
4	185-2356	1	Plug, Expansion	18	185-2389	2	Screw, Cap - Hex Head (M6 x 1 x 18MM)
5	185-2411	5	Cup, Sealing	19	185-2229	1	Plug, Hex
6	185-2412	1	Cup, Sealing	20	185-2155	1	Pump, Oil
7	185-2188	6	Plug	21	185-2156	1	Gasket
8	185-2233	3	Plug	22	185-2409	4	Bolt, Hex with Lockwasher
9	185-2234	1	Plug	23	185-2337	1	Cock, Drain
10	185-2350	2	Pin, Straight, Headless	24	185-2293	1	Gear, Drive - Oil Pump
11	775-0072	2	Pin, Straight, Headless	25	185-2352	1	Key
12	185-2115	2	Pin, Hollow	26	185-2365	1	Nut, Hex (M10 x 1.5)
13	185-2094	1	Pin, Hollow	27	185-2382	1	Washer, Lock - Spring (M10)
14	185-2007	3	Liner, Cylinder	28	185-2313	1	Kit, Gasket

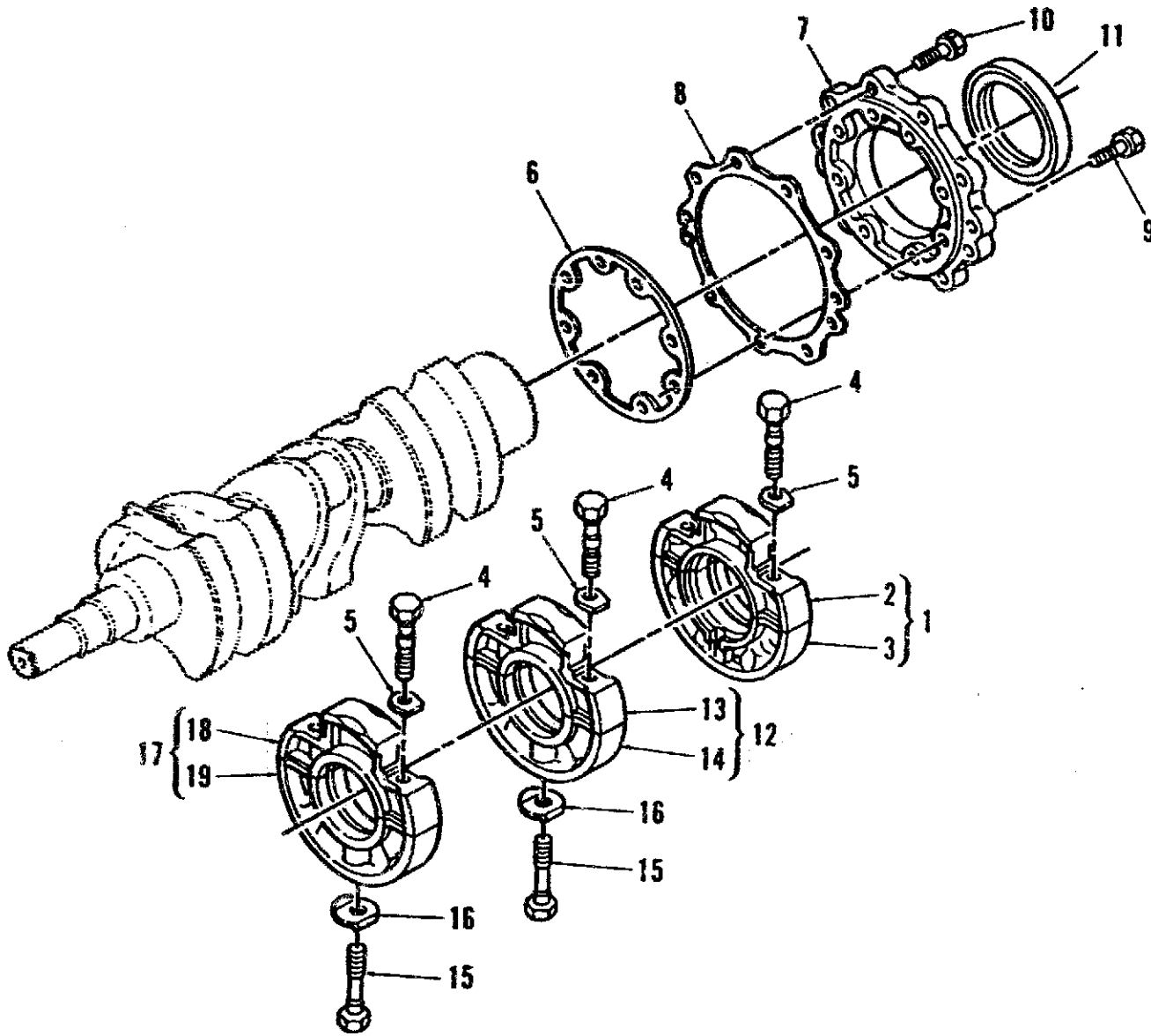
Crankshaft & Piston



Crankshaft and Piston

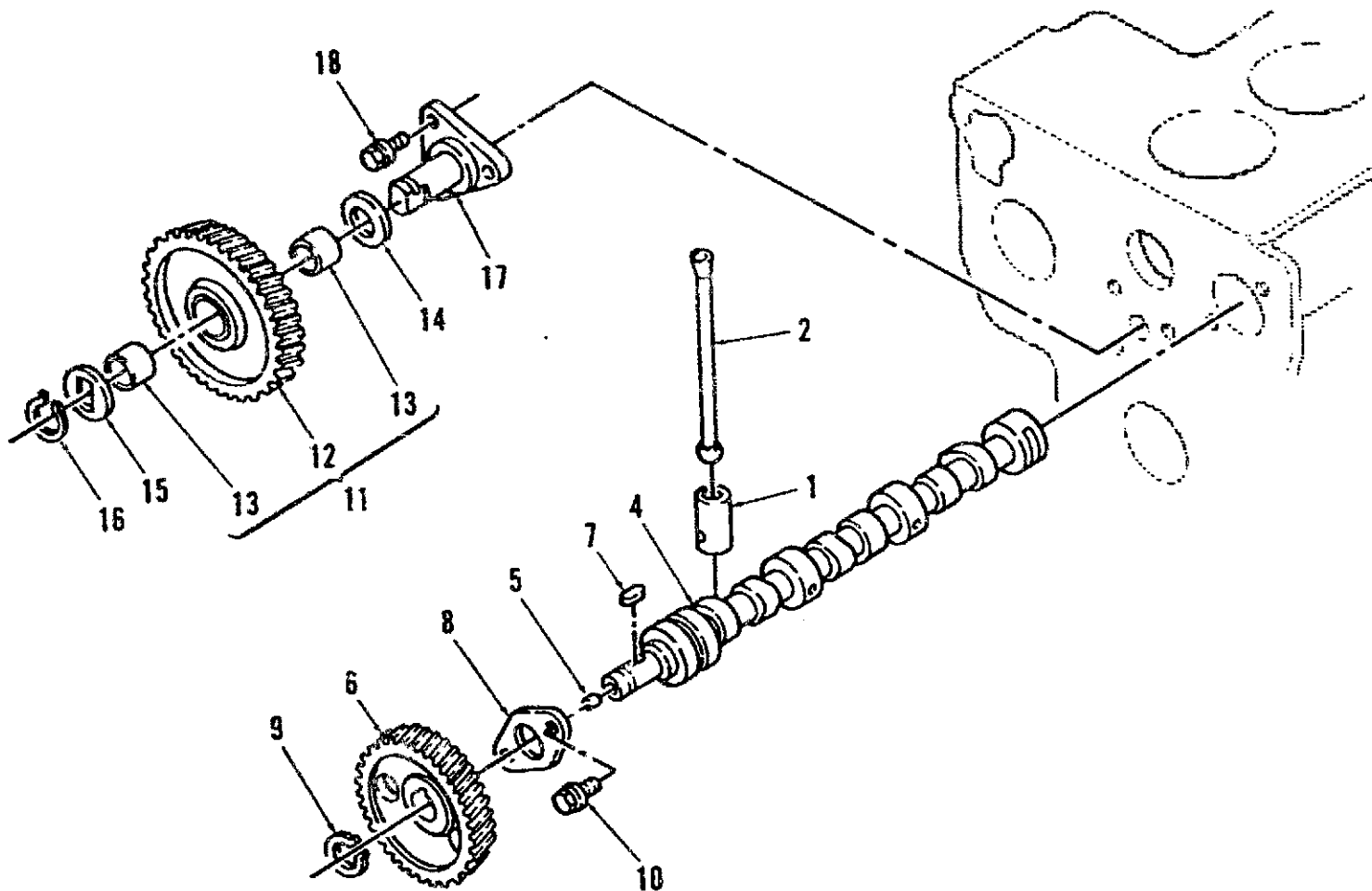
REF NO.	PART NO.	QTY USED	PART DESCRIPTION	REF NO.	PART NO.	QTY USED	PART DESCRIPTION
1			Piston	10	185-2041	1	Crankshaft
	185-2008	2	Standard (Style I Governor) (#1 & 3 Cylinders Only)	11	NFS		Crankshaft
	185-2009	2	0.5mm Oversize (Style I Governor) (#1 & 3 Cylinders Only)	12	NFS		Plug
	185-2434	2	Standard (Style II Governor) (#1 & 3 Cylinders Only)	13	185-2043	1	Gear
	185-2435	2	0.5mm Oversize (Style II Governor) (#1 & 3 Cylinders Only)	14	185-2353	1	Key
	185-2428	1	Standard (Style I & II Governors) (#2 Cylinder Only)	15	185-2087	1	Slinger, Oil
	185-2429	1	0.5mm Oversize (Style I & II Governors) (#2 Cylinder Only)	16	185-2250	1	Spacer, Sleeve
				17	185-2348	1	O-Ring
				18			Bearing, Crankshaft
					185-2020	1	Standard
					185-2024	1	0.2mm Undersize
					185-2025	1	0.4mm Undersize
				19			Bearing Set
					185-2021	2	Standard
					185-2026	3	0.2mm Undersize
					185-2027	3	0.4mm Undersize
				20			Bearing, Thrust
2			Ring Set		185-2022	2	Standard
	185-2010	3	Standard		185-2028	2	0.2mm Oversize
	185-2011	3	0.5mm Oversize		185-2029	2	0.4mm Oversize
3	185-2015	3	Pin, Piston	21			Bearing, Thrust
4	185-2016	6	Ring, Retaining		185-2023	2	Standard
5	185-2012	3	Rod, Connecting		185-2030	2	0.2mm Oversize
6	NFS		Rod		185-2031	2	0.4mm Oversize
7	185-2017	3	Bearing, Sleeve	22	185-2033	1	Sleeve, Crankshaft
8	185-2018	6	Bolt, Hex - Rod Cap				
9			Bearing Set				
	185-2013	3	Standard				
	185-2019	3	0.2mm Undersize				
	185-2014	3	0.4mm Undersize				

Main Bearing Holders



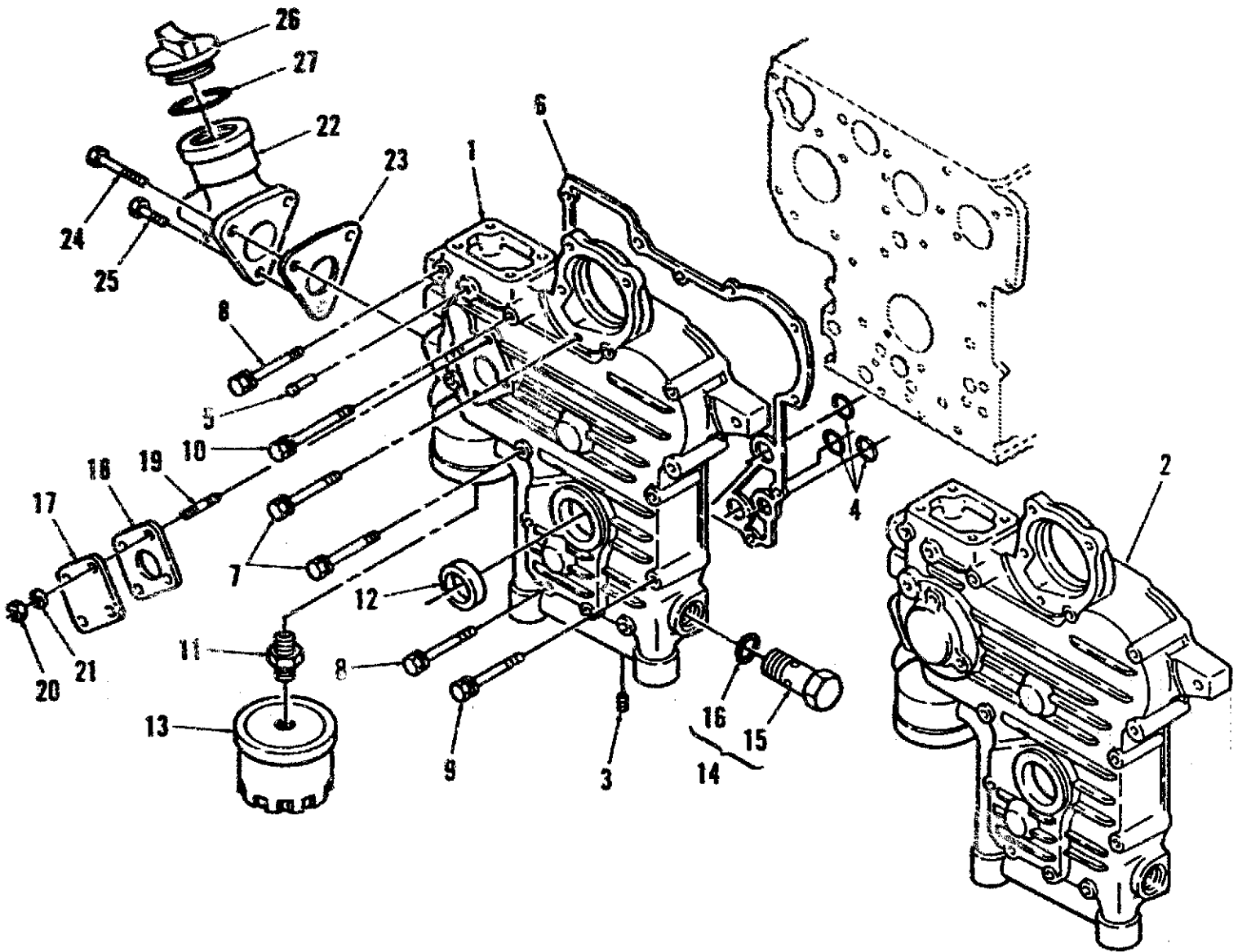
REF NO.	PART NO.	QTY USED	PART DESCRIPTION	REF NO.	PART NO.	QTY USED	PART DESCRIPTION
1	185-2035	1	Holder, Bearing - Main, Rear	11	185-2055	1	Seal, Oil - Crankshaft, Rear
2	NFS		Holder, Bearing - Half, Upper	12	185-2034	1	Holder, Bearing - Main, Center
3	NFS		Holder, Bearing - Half, Lower	13	NFS		Holder, Bearing - Half, Upper
4	185-2037	4	Bolt, Hex	14	NFS		Holder, Bearing - Half, Lower
5	185-2039	6	Retainer, Bolt/Nut	15	185-2038	2	Bolt, Hex
6	185-2036	1	Gasket	16	185-2040	2	Retainer, Bolt/Nut
7	185-2254	1	Cover Plate - Bearing	17	185-2213	1	Holder, Bearing - Main, Front
8	185-2127	1	Gasket	18	NFS		Holder, Bearing - Half, Upper
9	185-2390	9	Screw, Cap - Hex Head with Lockwasher (M6 x 1 x 20mm)	19	NFS		Holder, Bearing - Half, Lower
10	185-2391	8	Screw, Cap - Hex Head with Lockwasher (M6 x 1 x 25mm)				

Camshaft



REF NO.	PART NO.	QTY USED	PART DESCRIPTION	REF NO.	PART NO.	QTY USED	PART DESCRIPTION
1	185-2075	6	Tappet	11	185-2042	1	Gear
2	185-2074	6	Rod, Push	12	NFS		Gear
4	185-2082	1	Camshaft	13	185-2048	2	Bushing, Sleeve
5	185-2190	2	Plug	14	185-2046	1	Spacer
6	185-2086	1	Gear	15	185-2047	1	Spacer
7	185-2353	1	Key	16	185-2045	1	Ring, Retaining
8	185-2084	1	Plate, Retaining	17	185-2044	1	Shaft
9	185-2369	1	Ring, Retaining	18	185-2388	3	Screw, Cap - Hex Head with Lockwasher (M6 x 1 x 16mm)
10	185-2387	2	Screw, Cap - Hex Head with Lockwasher (M6 x 1 x 14mm)				

Gearcase & Oil Filter

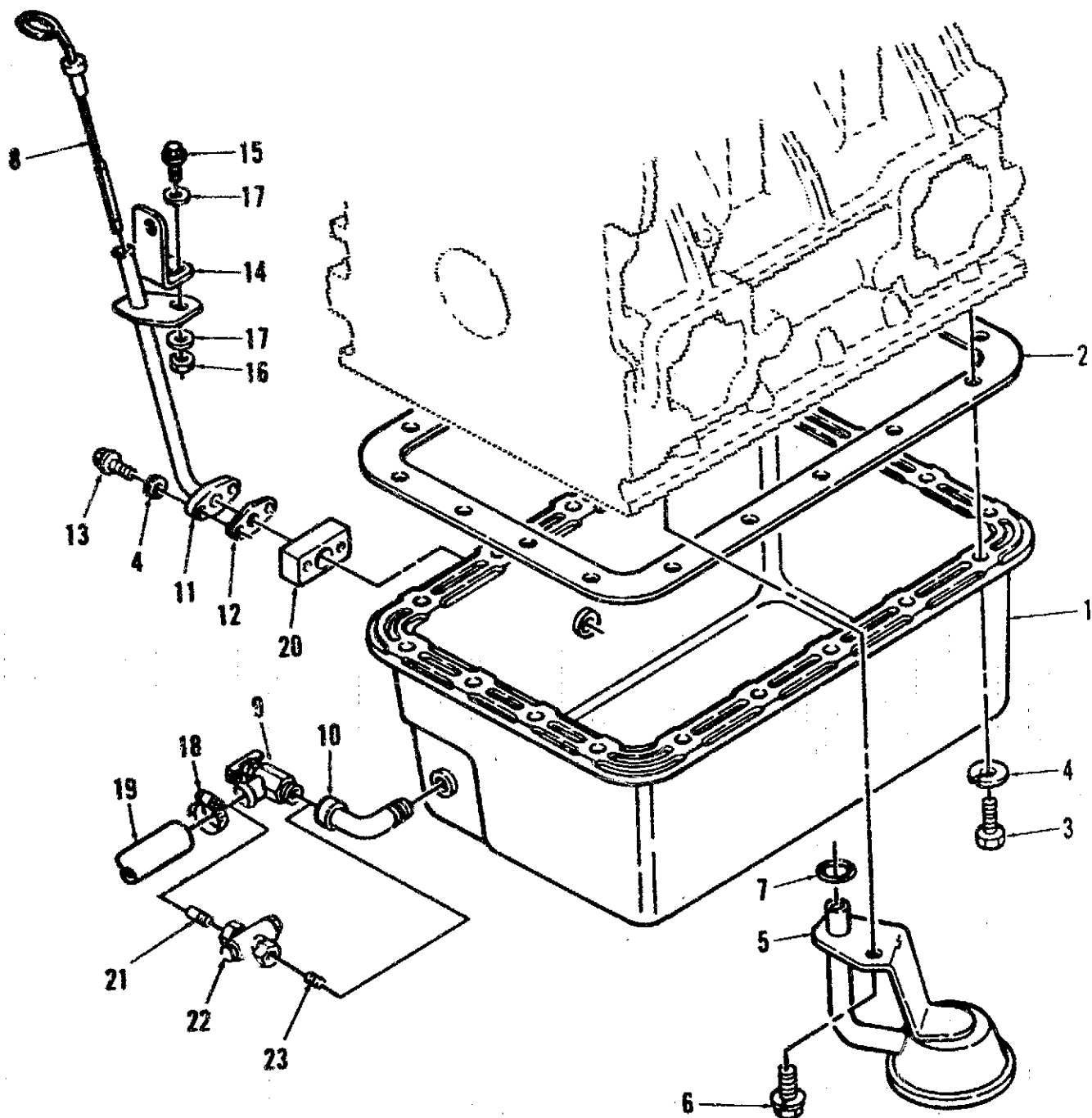


LS-1133

REF. NO.	PART NO.	QTY. USED	PART DESCRIPTION	REF. NO.	PART NO.	QTY. USED	PART DESCRIPTION
1	185-2051	1	Gearcase (Style I Governor)	14	185-2157	1	Valve, Relief - Pressure
2	185-2430	1	Gearcase (Style II Governor)	15	NFS		Valve
3	185-2189	2	Plug, Pipe - Socket Drive	16	185-2372	1	O-Ring
4	185-2374	3	O-Ring	17	185-2153	1	Plate, Cover (Style I Gov.)
5	185-2102	1	Pin, Straight	18	185-2104	1	Gasket (Style I Gov.)
6	185-2058	1	Gasket	19	185-2105	4	Stud
7	185-2395	7	Screw, Cap - Hex Head with Lockwasher (M6 x 1 x 60MM)	20	750-1004	4	Nut, Hex (M6 x 1)
8	185-2396	5	Screw, Cap - Hex Head with Lockwasher (M6 x 1 x 65MM)	21	185-2380	4	Washer, Lock - Spring (M6)
9	185-2397	1	Screw, Cap - Hex Head with Lockwasher (M6 x 1 x 70MM)	22	185-2296	1	Housing, Oil Fill
10	185-2398	1	Screw, Cap - Hex Head with Lockwasher (M6 x 1 x 75MM)	23	185-2309	1	Gasket
11	185-2124	1	Nipple, Pipe - Hex	24	185-2394	2	Screw, Cap - Hex Head with Lockwasher (M6 x 1 x 50MM)
12	185-2317	1	Seal, Oil - Crankshaft	25	185-2390	1	Screw, Cap - Hex Head with Lockwasher (M6 x 1 x 20MM)
13	185-2123	1	Filter, Oil	26	185-2093	1	Cap, Oil Fill
				27	185-2349	1	O-Ring

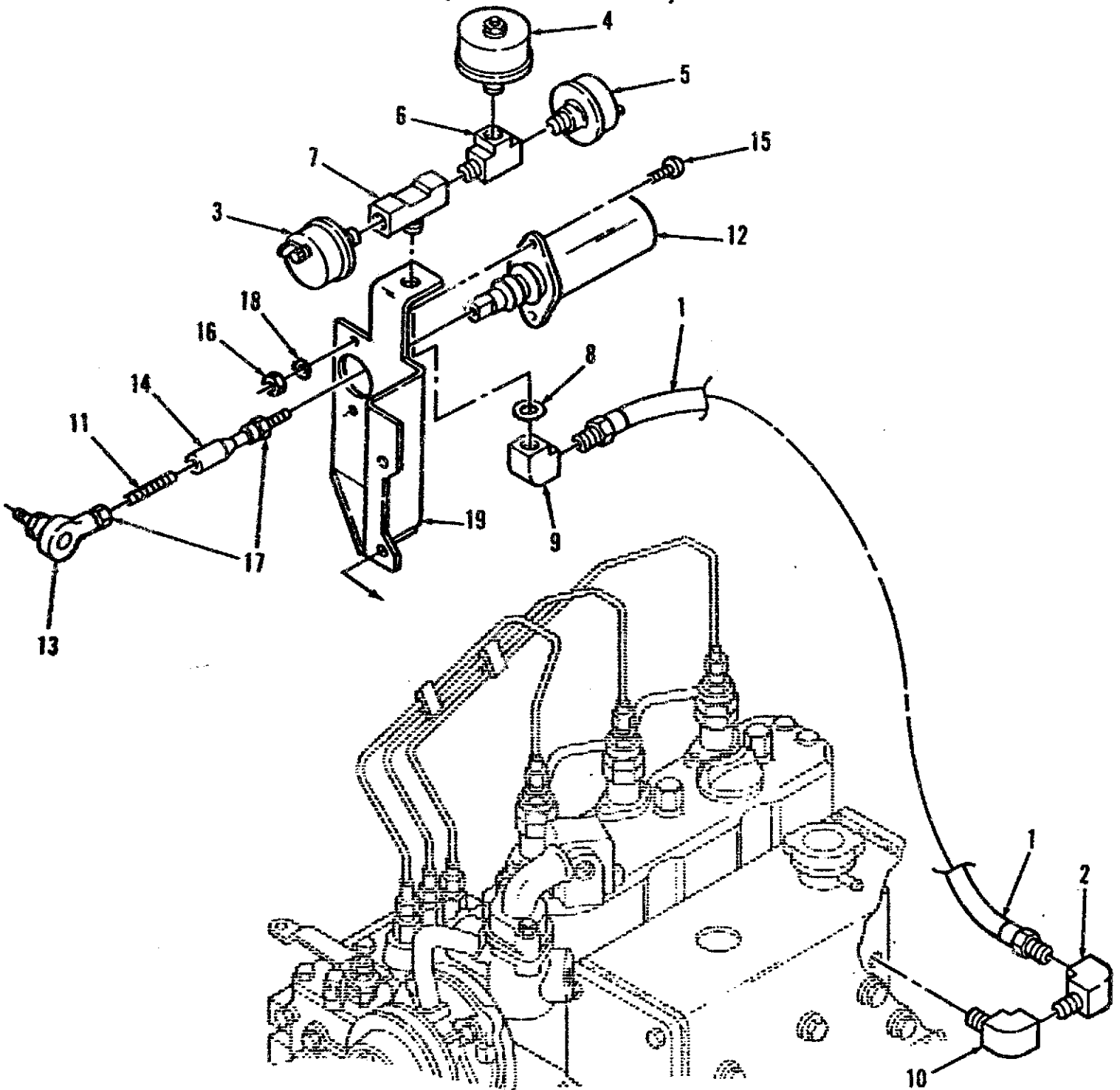
NOTE: See introduction for governor style identification

Oil Pan & Dipstick



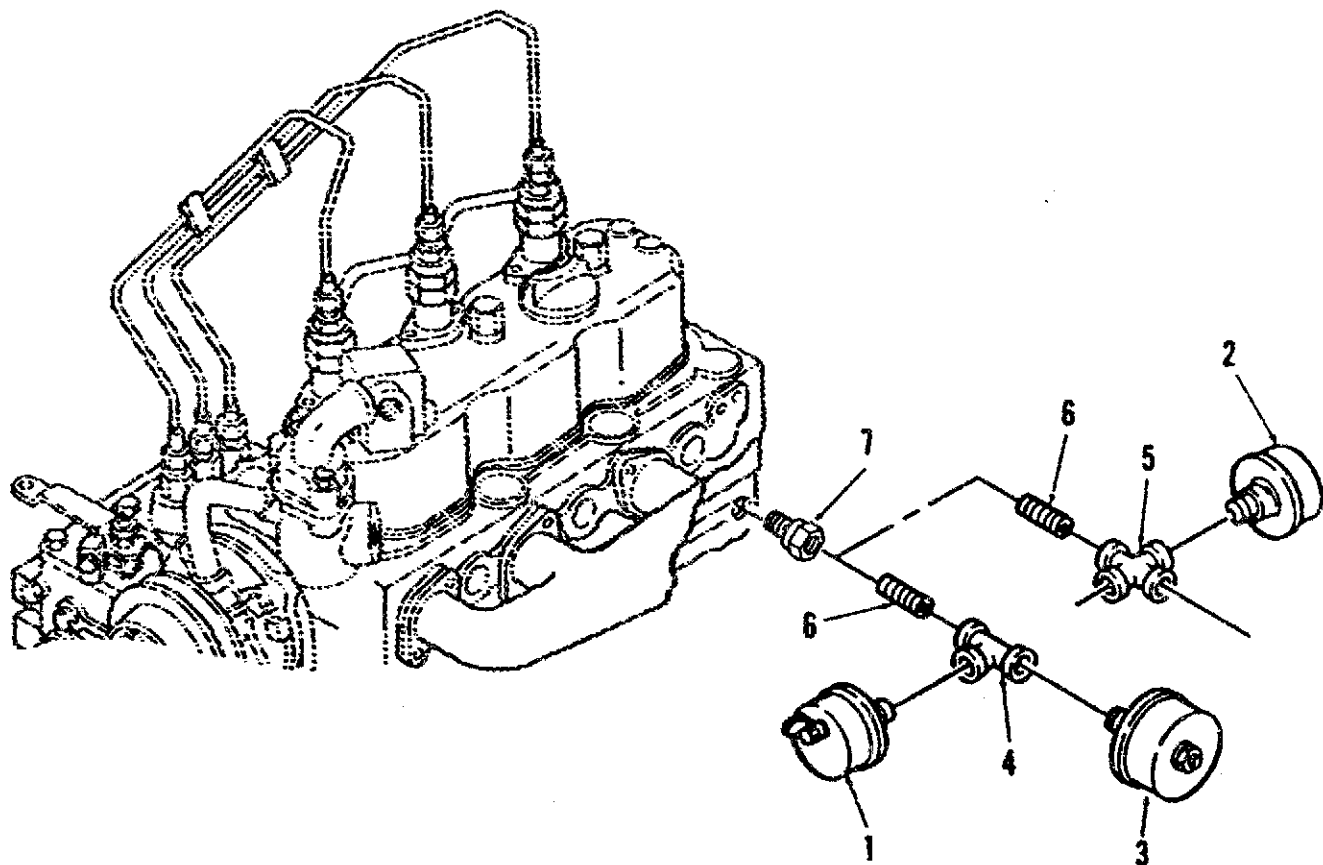
REF NO.	PART NO.	QTY USED	PART DESCRIPTION	REF NO.	PART NO.	QTY USED	PART DESCRIPTION
1	185-2281	1	Pan, Oil	14	185-2211	1	Bracket, Oil Indicator Guid.
2	185-2212	1	Gasket	15	185-2400	1	Screw, Cap - Hex Head with Lockwasher (M8 x 1.25 x 18)
3	185-2226	18	Bolt, Hex with Lockwasher	16	185-2366	1	Nut, Hex (M8 x 1.25)
4	185-2380	1	Washer, Lock - Spring (M6)	17	185-2377	3	Washer, Flat (M8)
5	185-2220	1	Cup, Pickup - Oil	18	503-0131	1	Clamp, Hose
6	185-2399	1	Screw, Cap - Hex Head with Lockwasher (M8 x 1.25 x 16mm)	19	503-0891	1	Hose, Rubber
7	185-2371	1	O-Ring	20	123-1628	1	Spacer
8	185-2209	1	Indicator, Oil Level	21	505-0135	1	Nipple, Half - Used Beginning November 1984
9	504-0092	1	Cock, Valve (used through November 1984)	22	504-0030	1	Valve, Cock - Used Beginning November 1984
10	505-0120	1	Elbow, Pipe - Street, 90°	23	505-0101	1	Nipple, Close - Used Beginning November 1984
11	185-2210	1	Guide, Oil Indicator				
12	185-2410	2	Gasket				
13	500-2036	2	Screw, Cap - Hex Head (M6 x 1 x 30mm)				

Oil Pressure Switches (Remote Start Sets)



REF NO.	PART NO.	QTY USED	PART DESCRIPTION	REF NO.	PART NO.	QTY USED	PART DESCRIPTION
1	501-0005	1	Line, Fuel - Flexible	8	856-0012	1	Washer, Lock - EIT (7/16")
2	505-0049	1	Elbow, Pipe - Street, 90°	9	502-0005	1	Elbow, Pipe - 90°, Brass
3	309-0159	1	Switch, Pressure (S6) (Power Latch)	10	505-0049	1	Elbow, Pipe - Street, 90° Used through February 1984
4			Sender, Pressure - Oil (E1) (Not Used On All Applications)		505-1342	1	Used Beginning March 1984
	193-0244	1	Single Pole	11	520-0939	1	Stud, Solenoid - Stop
	193-0404	1	Double Pole	12	307-2546	1	Solenoid, Stop
5			Switch, Pressure (S1) (Shutdown)	13	150-1995	1	Ball, Joint
	309-0064	1	Single Pole	14	150-1733	1	Ball, Joint
	309-0578	1	Double Pole	15	813-0102	2	Screw, RHM (#10-32 x .62")
6	502-0058	1	Tee, Pipe - Brass (1/8) (Not Used On All Applications)	16	870-0131	2	Nut (#10-32)
7	502-0057	1	Tee, Pipe - Brass (1/8)	17	115-0025	2	Nut, Tappet (1/4-28)
				18	856-0003	2	Washer, Lock - EIT (#10)
				19	150-1992	1	Bracket, Mounting - Stop Solenoid

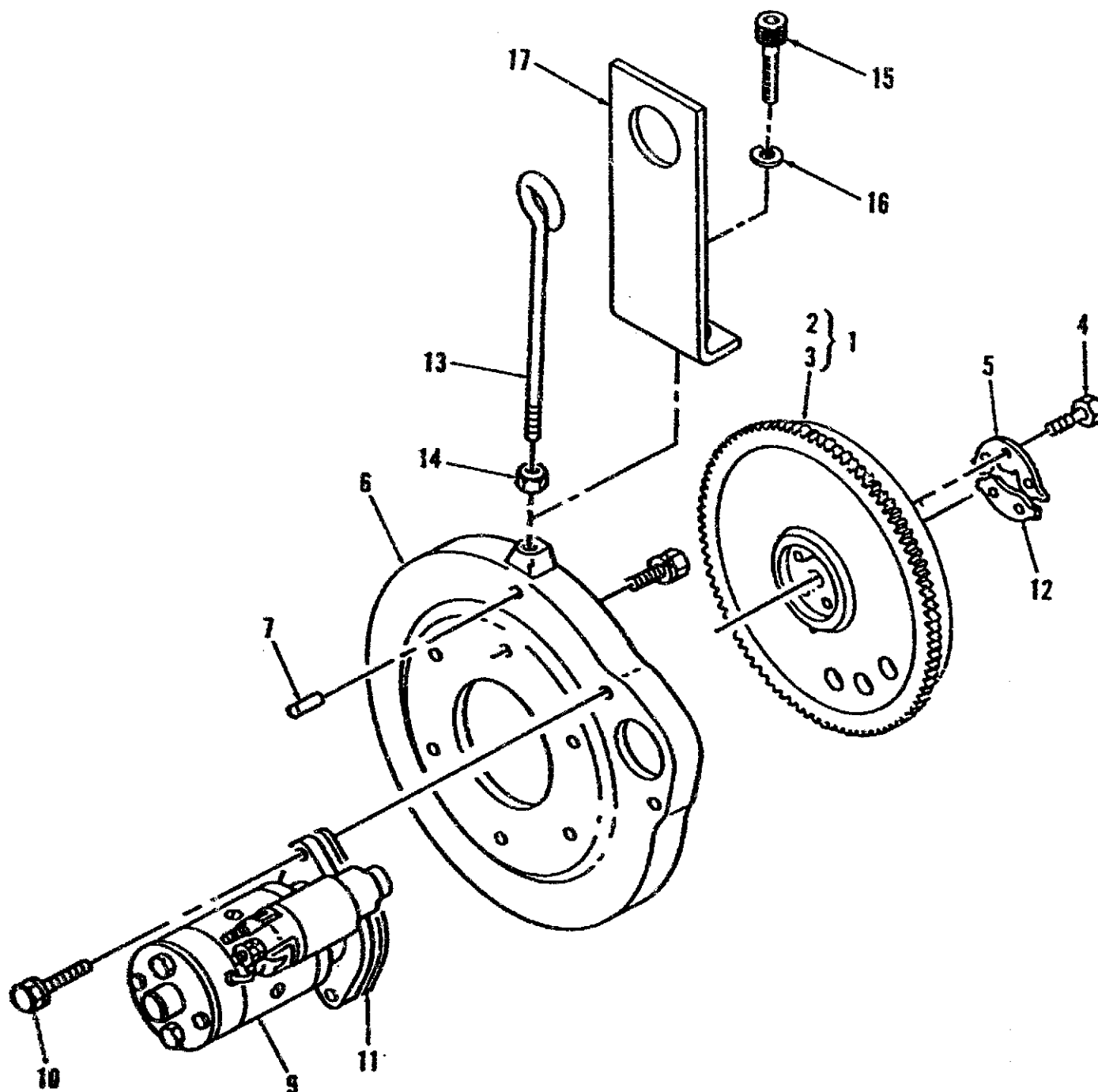
Oil Pressure Switches (Manual Start Sets)



LS-1136

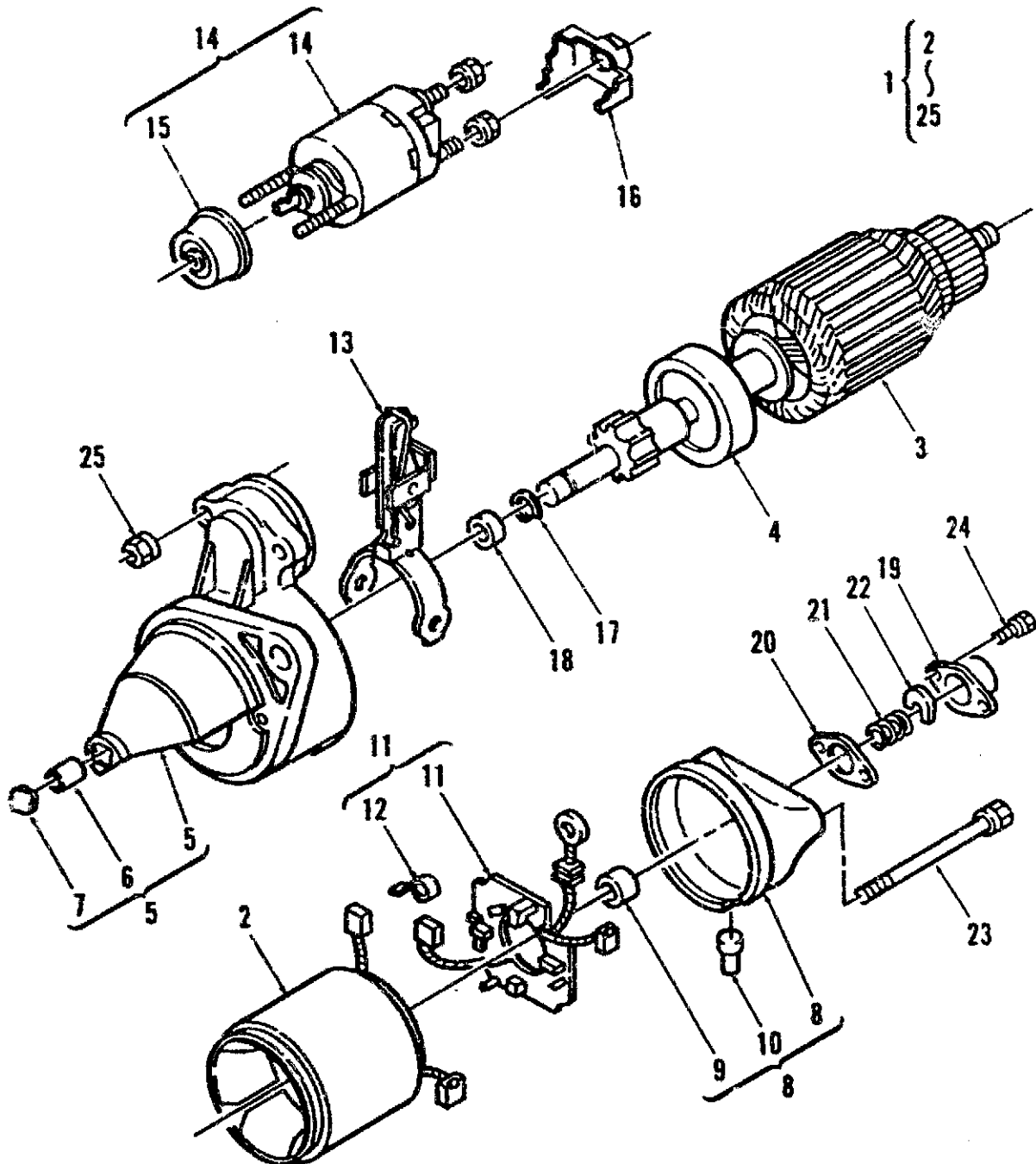
REF NO.	PART NO.	QTY USED	PART DESCRIPTION	REF NO.	PART NO.	QTY USED	PART DESCRIPTION
1	309-0064	1	Switch, Pressure - Oil (S1) (Shutdown)	4	505-0059	1	Tee, Pipe - Iron
2	309-0159	1	Switch, Pressure - Oil (S6) (Power Latch)	5	505-0763	1	Cross, Pipe - Iron
3	193-0244	1	Sender, Pressure - Oil (E1)	6	505-0098	1	Nipple, Pipe - Close
				7	502-0917	1	Adapter, Pipe - Brass (Used Beginning March 1984)

Flywheel and Starter



REF NO.	PART NO.	QTY USED	PART DESCRIPTION	REF NO.	PART NO.	QTY USED	PART DESCRIPTION
1	185-2308	1	Flywheel (Includes Gear Ring)	11	185-2314	1	Gasket
2	NFS		Flywheel	12	185-2219	1	Plate, Locking - Bolt/Nut
3	185-2170	1	Gear, Ring	13	403-2214	1	Bolt, Eye (Used Through Spec A)
4	185-2301	5	Bolt, Hex	14	862-0003	1	Nut, Hex (3/8-16) (Used Through Spec A)
5	185-2218	1	Plate, Locking - Bolt/Nut	15	802-0072	1	Screw, Socket Head (3/8-16 x 1")
6	185-2417	1	Adapter, Generator	16	850-0050	1	Washer, Lock - Spring (3/8")
7	775-0072	1	Pin, Straight	17	403-2634	1	Bracket, Lifting (Begin Spec B)
8	185-2178	8	Bolt, Hex with Lockwasher				
9	185-2116	1	Starter (12VDC) (See Separate Figure for Replacement Parts)				
10	185-2404	2	Screw, Cap - Hex Head with Lockwasher (M8 x 1.25 x 28mm)				

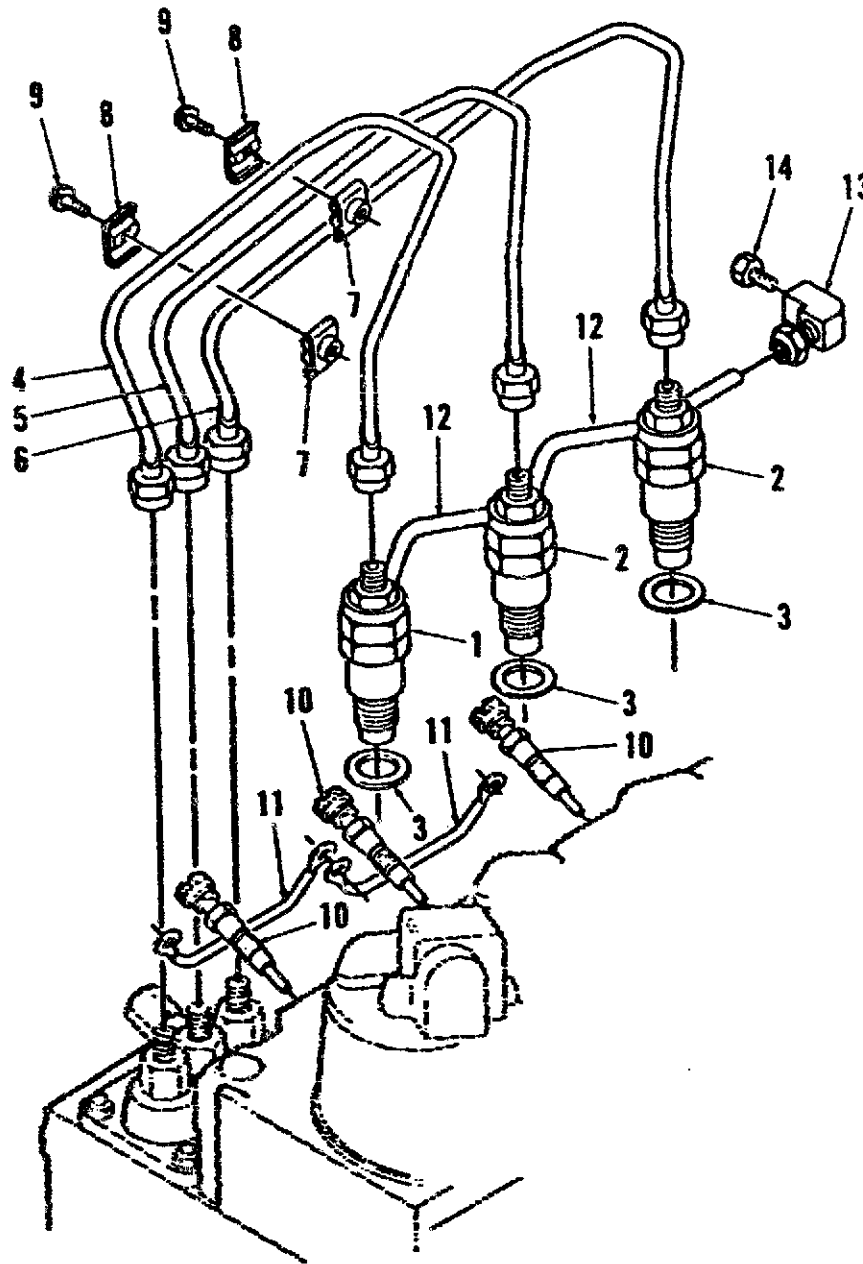
Starter - Exploded View



REF. NO.	PART NO.	QTY. USED	PART DESCRIPTION	REF. NO.	PART NO.	QTY. USED	PART DESCRIPTION
1	185-2115	1	Starter (12VDC) (Complete)	14	185-2117	1	Solenoid
2	185-2322	1	Coil, Field	15	185-2331	1	Cover, Plunger
3	185-2321	1	Armature	16	185-2323	1	Insulator, Terminal
4	185-2319	1	Clutch	17	185-2111	1	Ring, Retaining
5	185-2118	1	Housing, Drive End	18	185-2195	1	Spacer, Sleeve
6	185-2295	1	Bushing, Sleeve	19	185-2332	1	Housing
7	185-2335	1	Cover	20	185-2333	1	Gasket
8	185-2326	1	Housing, Brush End	21	185-2325	1	Spring
9	185-2327	1	Bushing, Sleeve	22	185-2324	1	Clip, Retaining
10	185-2119	1	Cover	23	185-2328	2	Bolt, Hex
11	185-2329	1	Brush Rig	24	185-2383	2	Screw, Machine - Pan Head with Lockwasher (M4 x .5 x 14MM)
12	185-2330	4	Spring	25	185-2334	2	Nut, Hex
13	185-2320	1	Lever, Drive				

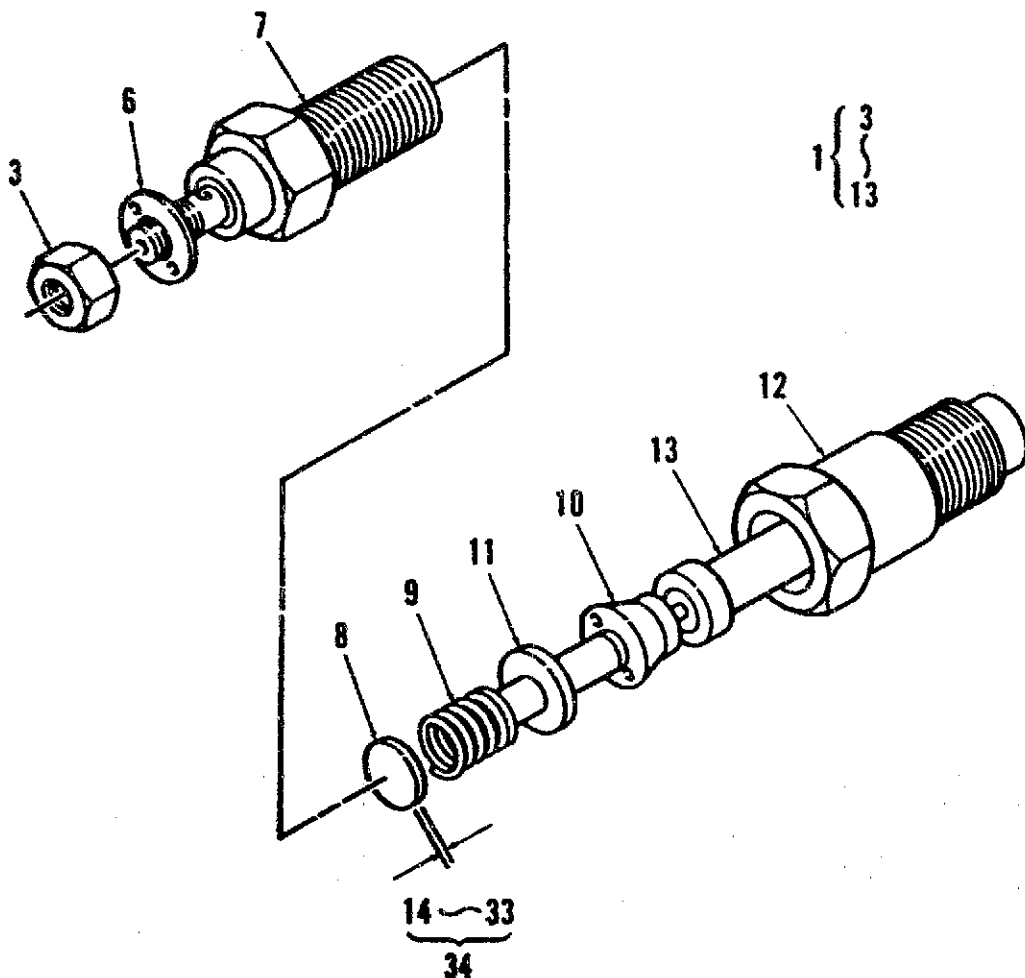
ES-1474

Glow Plug & Injection Nozzles



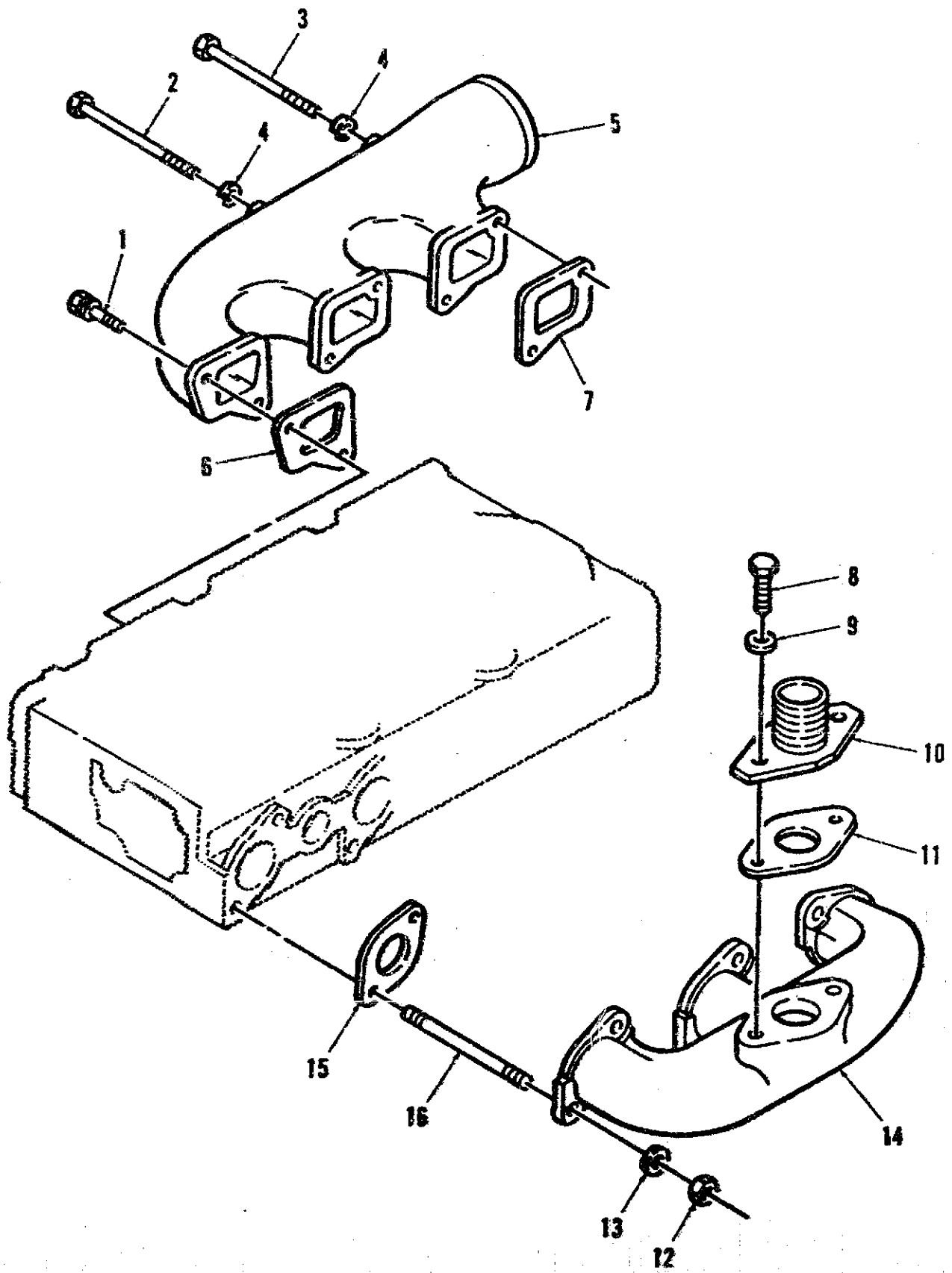
REF NO.	PART NO.	QTY USED	PART DESCRIPTION	REF NO.	PART NO.	QTY USED	PART DESCRIPTION
1	185-2436	1	Nozzle, Injection - Fuel (See Separate Page for Components)	8	185-2345	2	Clamp
2	185-2436	2	Nozzle, Injection - Fuel (See Separate Page for Components)	9	185-2385	2	Screw, Machine - Pan Head with Lockwasher (M5 x .8 x 20mm)
3	185-2294	3	Gasket	10	185-2289	3	Plug, Glow (12 VDC)
4	185-2159	1	Line, Fuel - Injection	11	185-2172	2	Lead, Electrical
5	185-2160	1	Line, Fuel - Injection	12	185-2437	1	Tube, Fuel - Overflow
6	185-2224	1	Line, Fuel - Injection	13	502-0886	1	Elbow, Tube to Pipe, 90°
7	185-2344	2	Clamp	14	502-0175	1	Adapter, Pipe - Hex (Used Beginning November 1984)

Injection Nozzle - Components



REF. NO.	PART NO.	QTY USED	PART DESCRIPTION	REF. NO.	PART NO.	QTY USED	PART DESCRIPTION
1	185-2436	1	Nozzle, Injection (Complete)	20	185-2138	1	Shim (1.30mm)
3	185-2107	1	Nut, Hex	21	185-2139	1	Shim (1.35mm)
6	185-2109	1	Washer, Flat	22	185-2140	1	Shim (1.40mm)
7	NFS	1	Screw, Adjusting - Pressure	23	185-2141	1	Shim (1.45mm)
8	185-2099	1	Shim	24	185-2142	1	Shim (1.50mm)
9	185-2098	1	Spring	25	185-2143	1	Shim (1.55mm)
10	185-2101	1	Spacer	26	185-2144	1	Shim (1.60mm)
11	185-2097	1	Spindle	27	185-2145	1	Shim (1.65mm)
12	185-2100	1	Holder, Nozzle	28	185-2146	1	Shim (1.70mm)
13	185-2459	1	Nozzle, Injection - Fuel	29	185-2147	1	Shim (1.75mm)
14	185-2132	1	Shim (1.00mm)	30	185-2148	1	Shim (1.80mm)
15	185-2133	1	Shim (1.05mm)	31	185-2149	1	Shim (1.85mm)
16	185-2134	1	Shim (1.10mm)	32	185-2150	1	Shim (1.90mm)
17	185-2135	1	Shim (1.15mm)	33	185-2151	1	Shim (1.95mm)
18	185-2136	1	Shim (1.20mm)	34	185-2444	1	Shim Pkg
19	185-2137	1	Shim (1.25mm)				

Inlet/Exhaust Manifold

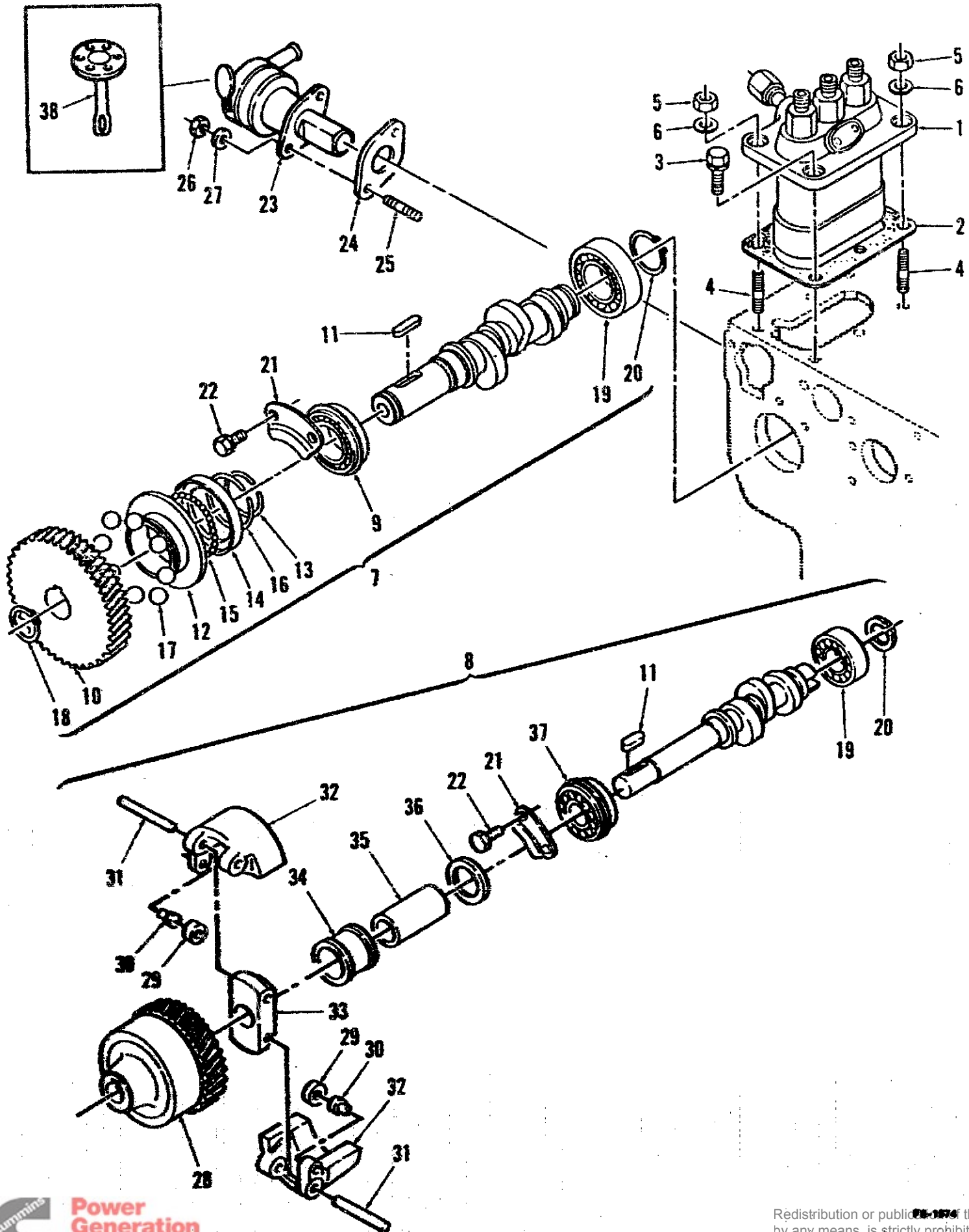


EXS-1115

Inlet/Exhaust Manifold

REF NO.	PART NO.	QTY USED	PART DESCRIPTION	REF NO.	PART NO.	QTY USED	PART DESCRIPTION
1	185-2390	4	Screw, Cap - Hex Head with Lockwasher (M6 x 1 x 20mm)	9	526-2120	2	Washer, Flat (M10)
2	185-2253	1	Bolt, Hex	10	154-2485	1	Adapter, Exhaust
3	185-2225	1	Bolt, Hex	11	185-2203	1	Gasket, Exhaust Manifold
4	850-2006	2	Washer, Lock - Spring (M6)	12	860-2007	6	Nut, Hex (M6)
5	185-2307	1	Manifold, Inlet	13	850-2006	6	Washer, Lock - Spring (M6)
6	185-2129	1	Gasket	14	185-2214	1	Manifold, Exhaust
7	185-2130	2	Gasket	15	185-2131	3	Gasket
8	815-0585	2	Screw, Cap - Hex Head (M10 x 1.25 x 20mm)	16	185-2227	6	Stud

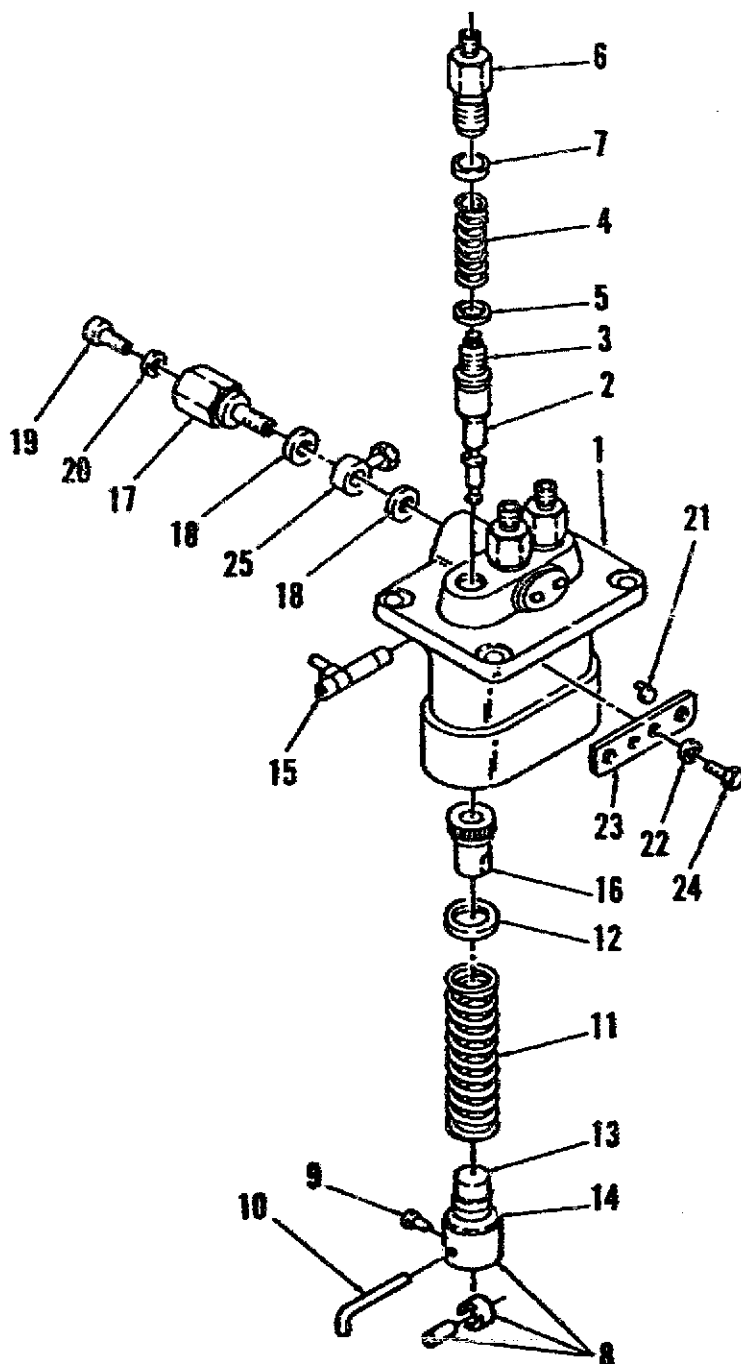
Fuel System - Injection Pump & Driveshaft



Fuel System - Injection Pump and Driveshaft

REF NO.	PART NO.	QTY USED	PART DESCRIPTION	REF NO.	PART NO.	QTY USED	PART DESCRIPTION
1			Pump, Injection - Fuel (See Separate Page for Components)	19	185-2315	1	Bearing, Ball
	185-2221	1	Spec A	20	185-2370	1	Ring, Retaining
	185-2461	1	Spec B	21	185-2085	1	Plate, Retaining
2	185-2223	4	Shim (0.15mm)	22	185-2386	2	Screw, Cap - Hex Head with Lockwasher (M6 x 1 x 12mm)
3	185-2402	2	Screw, Cap - Hex Head with Lockwasher (M8 x 1.25 x 22mm)	23	185-2302	1	Pump, Fuel (also shown in Fuel System - Filter & Pump)
4	185-2106	2	Stud (M8 x 1.25)	24	185-2125	1	Gasket
5	185-2367	2	Nut, Hex (M8 x 1.25)	25	185-2359	2	Stud
6	185-2381	2	Washer, Lock - Spring (M8)	26	750-1004	2	Nut, Hex (M6 x 1)
7	185-2083	1	Shaft Assembly, Fuel (Style I Governor)	27	185-2380	2	Washer, Lock - Spring (M6)
8	185-2446	1	Shaft Assembly, Fuel (Style II Governor)	28	185-2448	1	Gear
9	185-2316	1	Bearing, Ball	29	185-2443	2	Roller
10	185-2158	1	Gear	30	NFS	2	Pin, Straight, Headed
11	185-2354	1	Key	31	185-2452	2	Pin, Straight, Headless
12	185-2162	1	Retainer, Ball - Governor	32	185-2454	2	Weight, Governor (Includes Pivot Pins)
13	185-2163	1	Ring, Retaining	33	185-2453	1	Holder, Weight
14	185-2164	1	Race, Ball - Governor	34	185-2449	1	Sleeve
15	185-2357	30	Ball	35	185-2451	1	Collar
16	185-2165	1	Ring, Retaining	36	185-2450	1	Washer, Thrust
17	185-2358	7	Ball	37	185-2447	1	Bearing, Ball
18	185-2369	1	Ring, Retaining	38	185-2222	1	Diaphragm, Fuel Pump

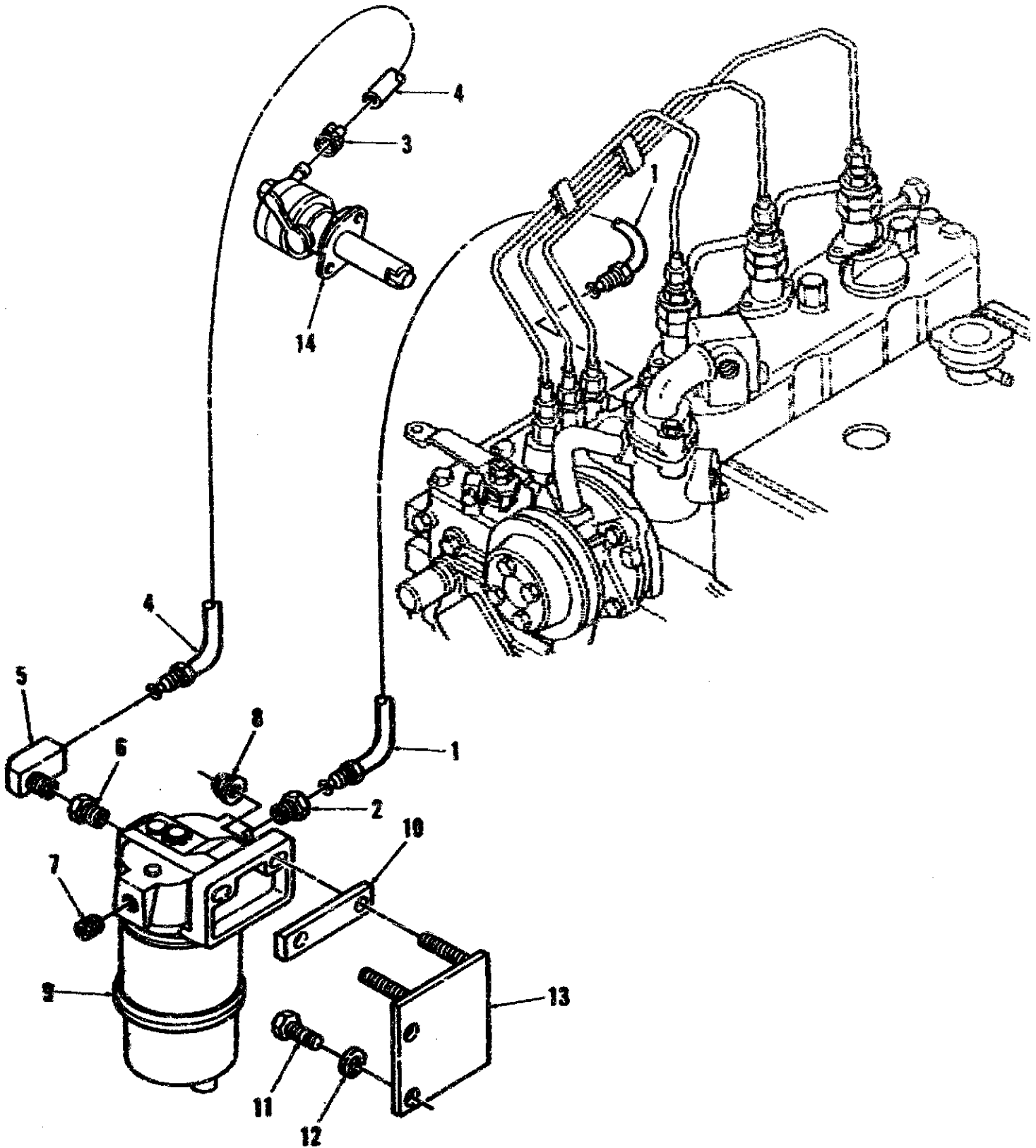
Injection Pump - Components



REF NO.	PART NO.	QTY USED	PART DESCRIPTION	REF NO.	PART NO.	QTY USED	PART DESCRIPTION
1	NFS		Housing, Pump	14	NFS		Shim
2	NFS		Plunger, Delivery Valve	15	NFS		Shaft, Fuel Control
3	NFS		Valve, Delivery	16	NFS		Sleeve, Fuel Control
4	NFS		Spring	17	NFS		Vent, Air
5	185-2196	3	Gasket	18	185-2197	2	O-Ring
6	NFS		Connector, Fuel Line	19	NFS		Screw, Cap - Hex Head (Air Vent)
7	185-2198	3	O-Ring	20	185-2318	1	O-Ring
8	NFS		Tappet (Includes Roller and Shaft)	21	NFS		Collar
9	NFS		Pin, Shouldered	22	NFS		Washer, Lock - Spring
10	NFS		Pin, Roller Shaft	23	NFS		Plate, Adjusting
11	NFS		Spring	24	NFS		Screw, Cap - Hex Head
12	NFS		Seat, Spring - Upper	25	185-2415	1	Adapter, Line - Fuel
13	NFS		Seat, Spring - Lower				

THIS PAGE INTENTIONALLY LEFT BLANK

Fuel System - With Mechanical Pump and Filter (Spec A and B)

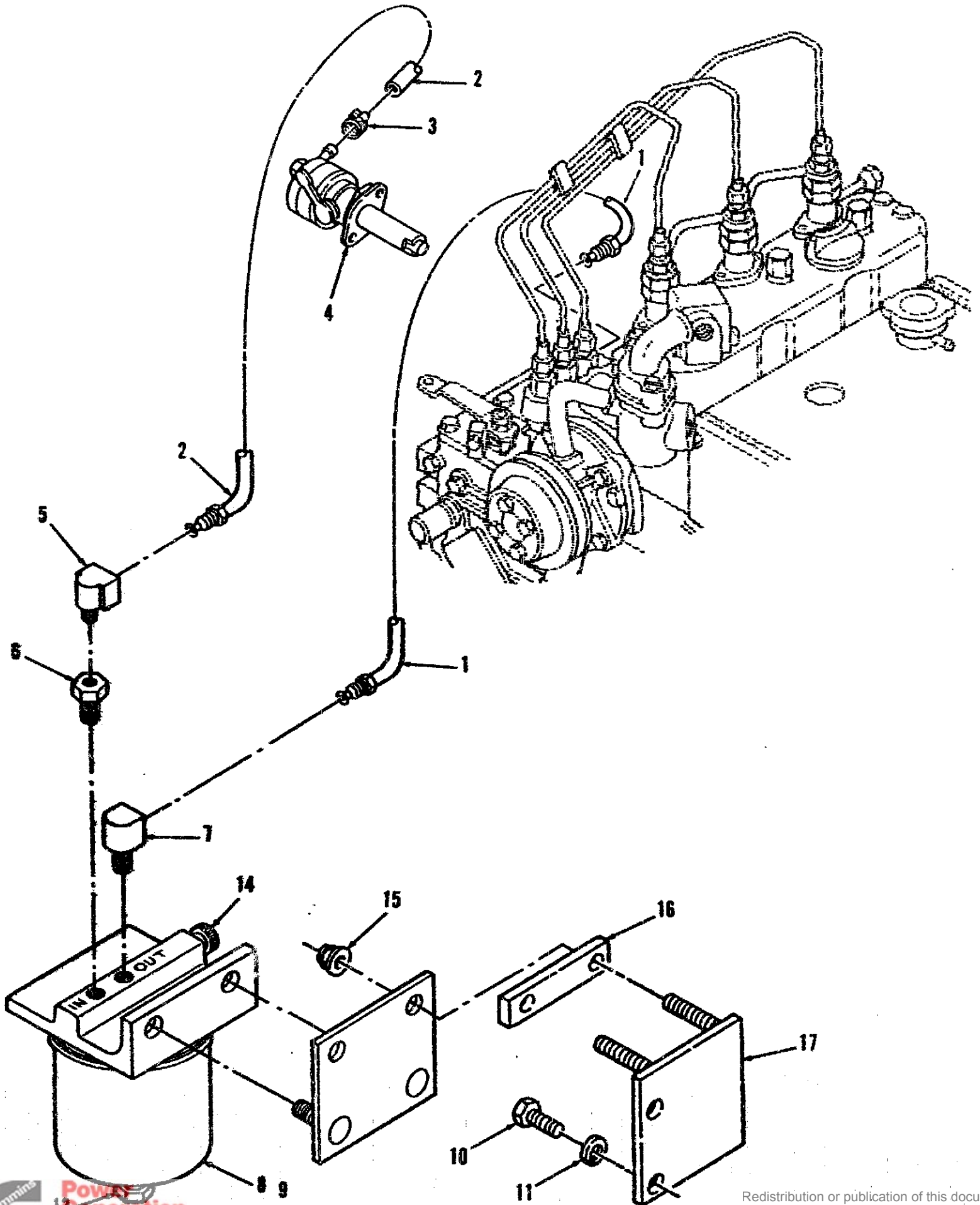


PS-1573

**Fuel System - With Mechanical Pump and Filter
(Spec A and B)**

REF NO.	PART NO.	QTY USED	PART DESCRIPTION	REF NO.	PART NO.	QTY USED	PART DESCRIPTION
1	501-0005	1	Line, Fuel - Flexible	10	149-1922	1	Spacer - Fuel Filter Mounting
2	502-0033	1	Adapter, Pipe - Hex	11	815-0600	2	Screw, Cap - Hex Head (M10 x 1.25 x 25mm)
3	503-0685	1	Clamp, Hose	12	850-2010	2	Washer, Lock - Spring (M10)
4	501-0487	1	Line, Fuel - Flexible	13	149-1920	1	Plate, Mounting - Fuel Filter
5	502-0020	1	Pipe, Elbow - Street, Brass, 90°	14	185-2302	1	Pump, Fuel (Also Shown in Fuel System - Injection Pump)
6	502-0029	1	Bushing Reducer - Hex				
7	505-0180	1	Plug, Pipe - Square Socket Drive				
8	870-0257	2	Nut, Self-locking - Hex Washer Head (5/16-18)				
9			Filter/Separator, Fuel - Pressure Type (See Separate Group for Components)				
	149-1908-04	1	Without Electric Fuel Heater and Bowl Heater				
	149-1908-06	1	With Electric Fuel Heater and Bowl Heater				

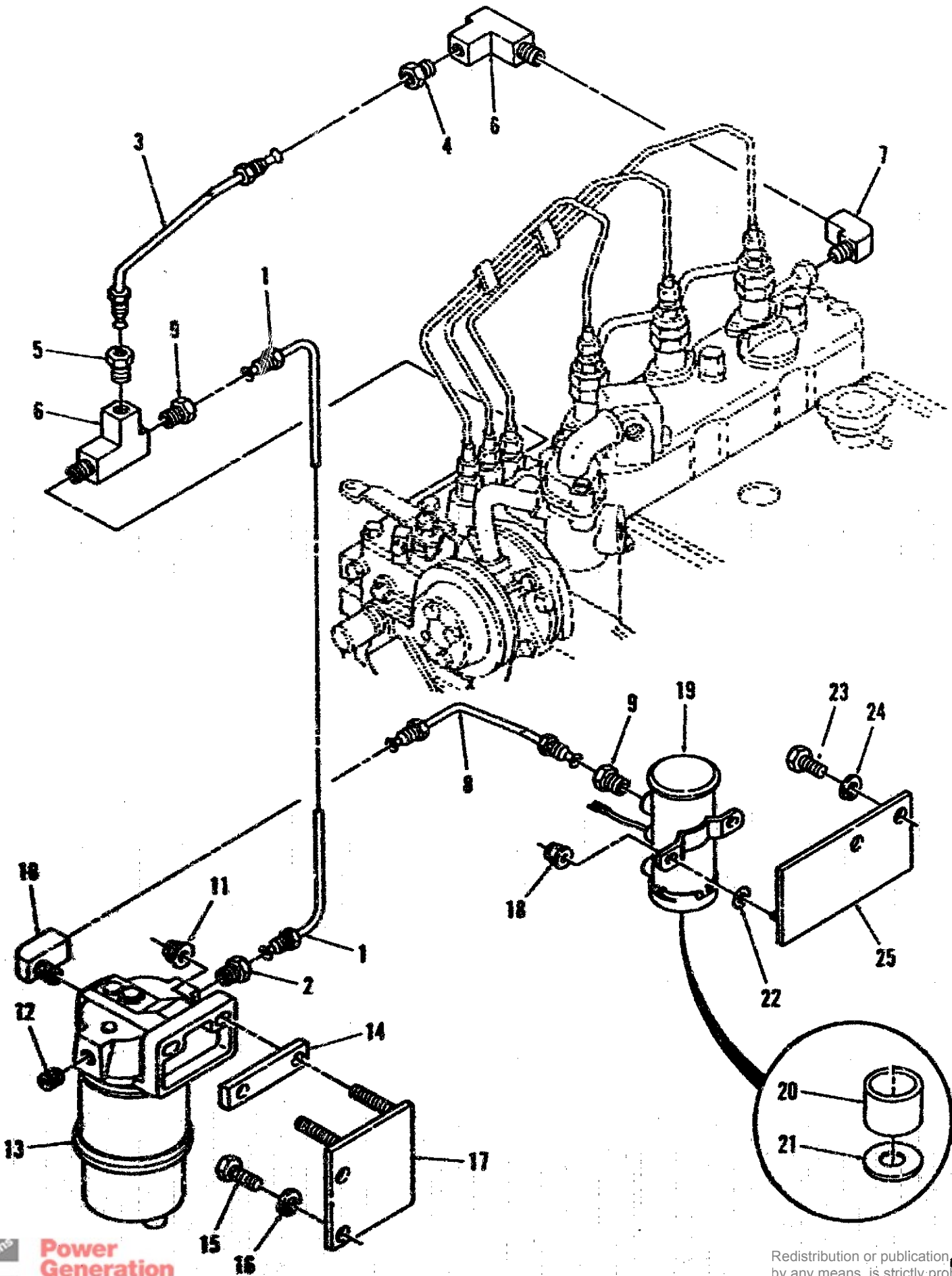
Fuel System - With Mechanical Pump and Filter (Begin Spec "C")



**Fuel System - With Mechanical Pump and Filter
(Begin Spec "C")**

REF NO.	PART NO.	QTY USED	PART DESCRIPTION	REF NO.	PART NO.	QTY USED	PART DESCRIPTION
1	501-0005	1	Line, Fuel - Flexible	11	850-2010	2	Washer, Lock - Spring (M10)
2	501-0487	1	Line, Fuel - Flexible	12	149-2108	1	Bracket, Mounting - Fuel Filter
3	503-0685	1	Clamp, Hose	13	502-0028	1	Plug, Drain
4	185-2302	1	Pump, Fuel	14	149-2234	1	Vent, Air
5	502-0020	1	Elbow, Pipe - Street, 90°	15	870-0257	2	Nut, Self-locking - Hex Washer Head (5/16 x 18)
6	502-0029	1	Bushing, Reducer	16	149-1922	1	Spacer, Mounting - Fuel Filter
7	502-0041	1	Connector, Male - Inverted, 90°	17	149-1920	1	Plate, Mounting - Fuel Filter
8	149-2100	1	Filter Assembly, Fuel				
9	149-2106	1	Element, Filter - Fuel				
10	815-0600	2	Screw, Cap - Hex Head (M10 x 1.25 x 25mm)				

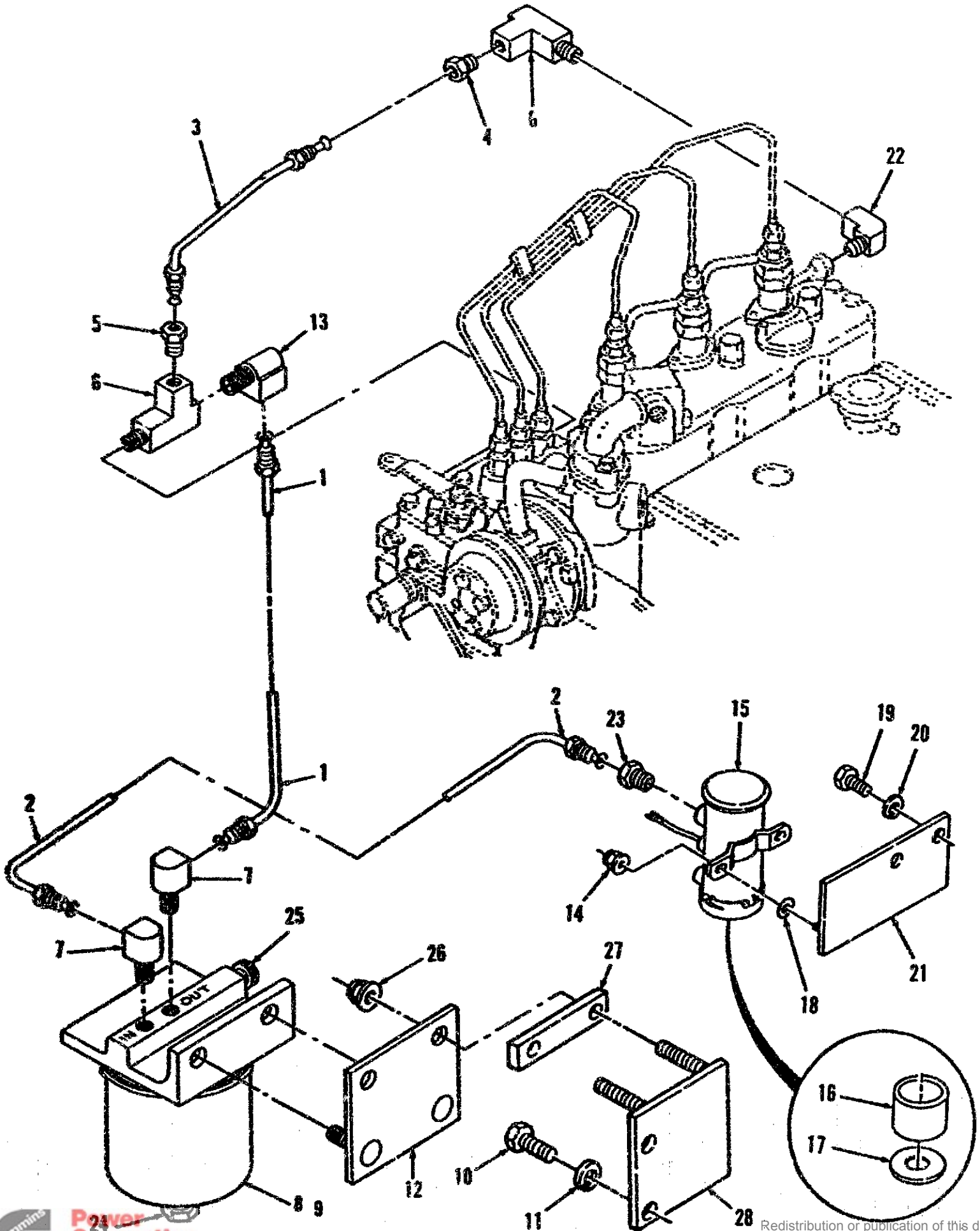
Fuel System - With Electrical Pump and Filter
(Spec A and B)



**Fuel System - With Electrical Pump and Filter
(Spec A and B)**

REF NO.	PART NO.	QTY USED	PART DESCRIPTION	REF NO.	PART NO.	QTY USED	PART DESCRIPTION
1	149-1945	1	Line, Fuel	14	149-1922	1	Spacer, Filter - Fuel
2	502-0033	1	Adapter, Pipe - Hex	15	815-0586	2	Screw, Cap - Hex Head (M10 x 1.25 x 16mm)
3	149-1944	1	Line, Fuel	16	850-2010	2	Washer, Lock - Spring (M10)
4	502-0281	1	Adapter, Pipe - Hex with Restrictor Plug	17	149-1920	1	Plate, Mounting - Fuel Filter
5	502-0097	1	Adapter, Pipe - Hex	18	870-0212	2	Nut, Self-locking - Hex Washer Head (1/4-20)
6	502-0058	2	Pipe, Tee	19	149-1828	1	Pump, Fuel - Electric (12 VDC)
7	502-0886	1	Elbow, Tube to Pipe - 90°	20	149-1445	1	Filter, Pump - Fuel
8	149-1932	1	Line, Fuel	21	149-1446	1	Gasket, Cover - Fuel Pump
9	502-0003	2	Adapter, Pipe - Hex	22	856-0006	2	Washer, Lock - FIT (1/4)
10	502-0041	1	Pipe, Elbow - Street, 90°. Brass	23	815-0586	2	Screw, Cap - Hex Head (M10 x 1.25 x 16mm)
11	870-0257	2	Nut, Self-Locking - Hex Washer Head (5/16-18)	24	850-2010	2	Washer, Lock - Spring (M10)
12	505-0180	1	Plug, Pipe - Square Socket Drive	25	149-1921	1	Plate, Mounting - Fuel Pump
13			Filter/Separator, Fuel - Pressure Type (See Separate Group for Components)				
	149-1908-04	1	Without Electric Fuel Heater and Bowl Heater				
	149-1908-06	1	With Electric Fuel Heater and Bowl Heater				

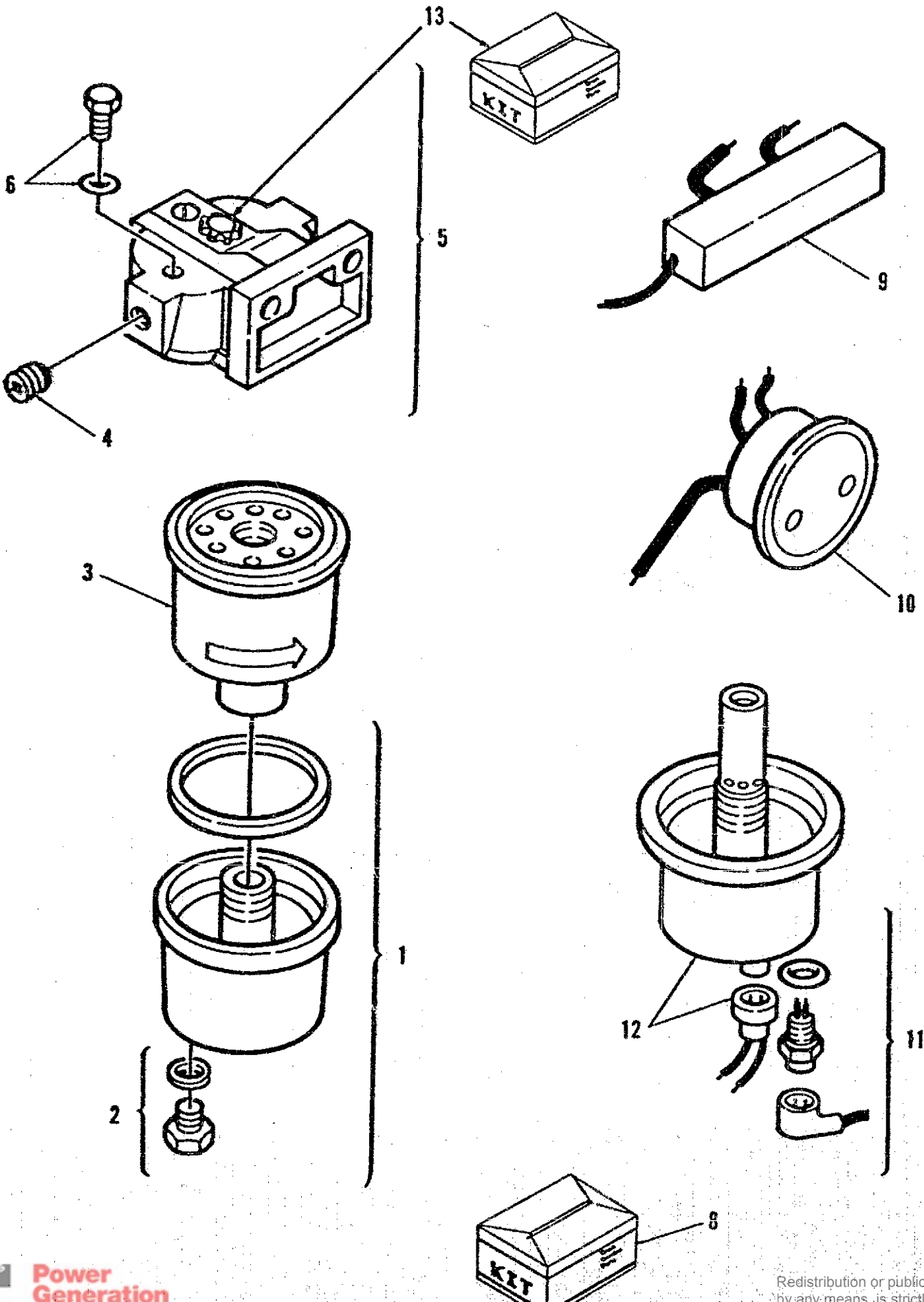
Fuel System - With Electrical Pump and Filter
(Begin Spec "C")



**Fuel System - With Electrical Pump and Filter
(Begin Spec "C")**

REF NO.	PART NO.	QTY USED	PART DESCRIPTION	REF NO.	PART NO.	QTY USED	PART DESCRIPTION
1	149-2102	1	Line, Fuel - Flexible	15	149-1828	1	Pump, Fuel - Electric (12 VDI)
2	149-2101	1	Line, Fuel - Flexible	16	149-1445	1	Filter, Pump - Fuel
3	149-1944	1	Line, Fuel - Flexible	17	149-1446	1	Gasket, Cover - Fuel Pump
4	502-0281	1	Adapter, Pipe - Hex with Restrictor Plug	18	856-0006	2	Washer, Lock - EIT (1/4)
5	502-0097	1	Adapter, Pipe - Hex	19	815-0586	2	Screw, Cap - Hex Head (M10 x 1.25 x 16mm)
6	502-0058	2	Pipe, Tee	20	850-2010	2	Washer, Lock - Spring (M10)
7	502-0041	2	Connector, Male - Inverted, 90°	21	149-1921	1	Plate, Mounting - Fuel Pump
8	149-2100	1	Filter Assembly, Fuel	22	502-0886	1	Elbow, Tube to Pipe - 90°
9	149-2106	1	Element, Filter - Fuel	23	502-0003	1	Adapter, Pipe - Hex
10	815-0600	2	Screw, Cap - Hex Head (M10 x 1.25 x 25mm)	24	502-0028	1	Plug, Drain
11	850-2010	2	Washer, Lock - Spring (M10)	25	149-2234	1	Vent, Air
12	149-2108	1	Bracket, Mounting - Fuel Filter	26	870-0257	2	Nut, Self-locking - Hex Washer Head (5/16-18)
13	502-0002	1	Elbow, Male - Inverted	27	149-1922	1	Spacer, Mounting - Fuel Filt
14	870-0212	2	Nut, Self-locking - Hex Washer Head (1/4-20)	28	149-1920	1	Plate, Mounting - Fuel Filte

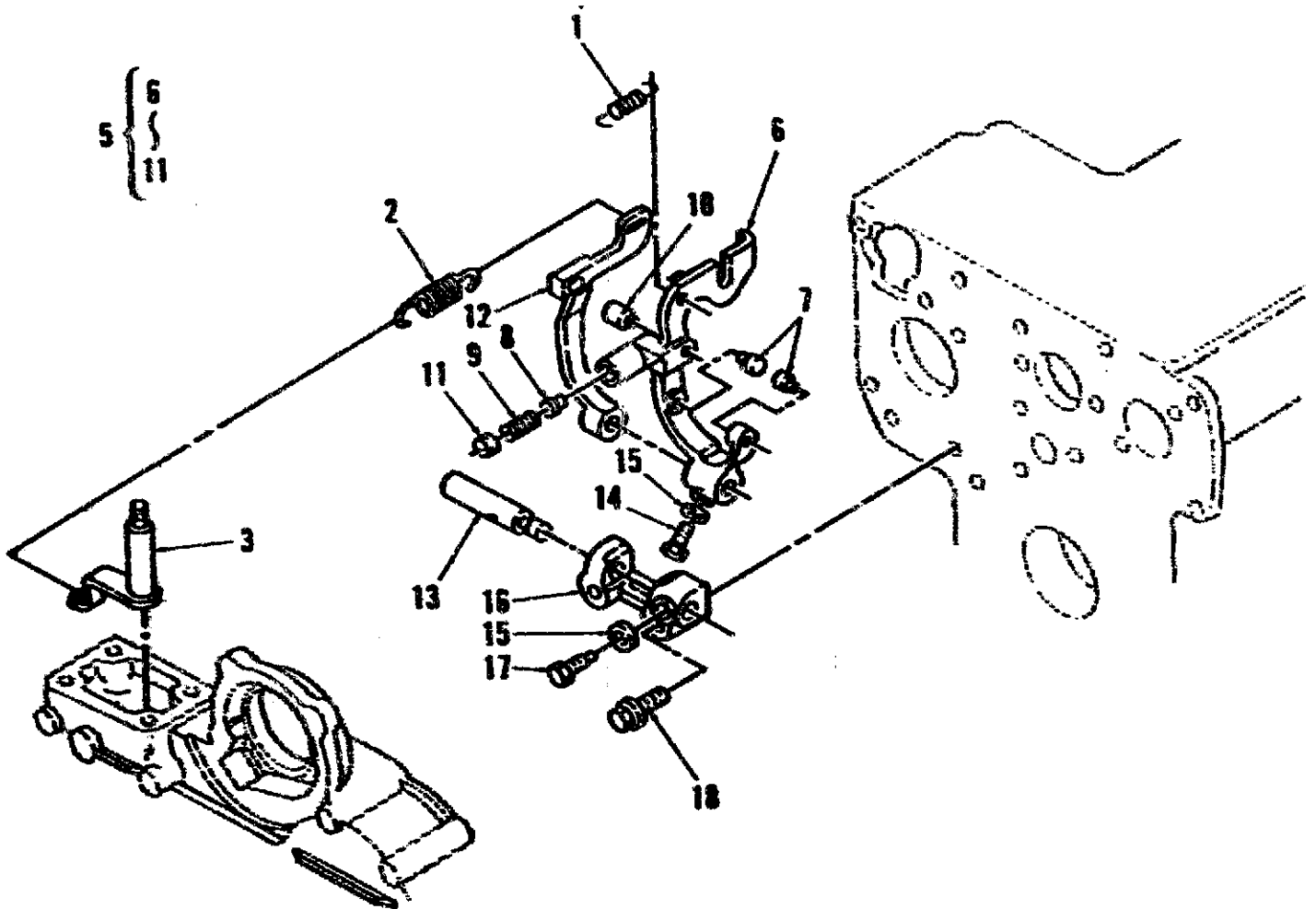
Fuel/Water Separator



Fuel/Water Separator

REF NO.	PART NO.	QTY USED	PART DESCRIPTION	REF NO.	PART NO.	QTY USED	PART DESCRIPTION
			Filter/Separator, Fuel Complete (Pressure Applications)	8	149-2045	1	Seal Kit, Separator - Fuel/Water (Includes all O-Ring Seals and Plunger)
	149-1908-04	1	Without Fuel and Bowl Heaters	9	149-1971	1	Alarm/Tight - Water Sensor (Rectangular)
	149-1908-06	1	With Fuel and Bowl Heaters	10		1	Alarm/Tight - Water Sensor (Round)
1	149-2046	1	Bowl, Metal - Replacement (Includes Seals, Plugs, and Drain Assembly)		149-1972	1	12 Volt DC
					149-2048	1	24 Volt DC
2	149-1953	1	Drain Assembly (Includes Knob and Seal)	11	149-2044	1	Probe Assembly (Includes Connector and O-Ring Seal)
3	149-1914-04	1	Element, Filter (Includes O-Ring Seal) (2 Micron)	12		1	Heater Assembly (Includes Metal Bowl)
4	502-0180	1	Plug, Pipe - Square Socket Drive		149-1978	1	12 Volt DC
					149-1970	1	24 Volt DC
5	149-1949	1	Head Assembly, Replacement (Includes Vent Plug, O-Ring Seals, Pump Assembly and Tube)	13	149-2047	1	Replacement Kit - Pump (Includes Knob, Shaft, Plunger, Ball and Ring) (The only way to get a replacement knob!)
6	149-1952	1	Plug, Vent (Includes Seal)				

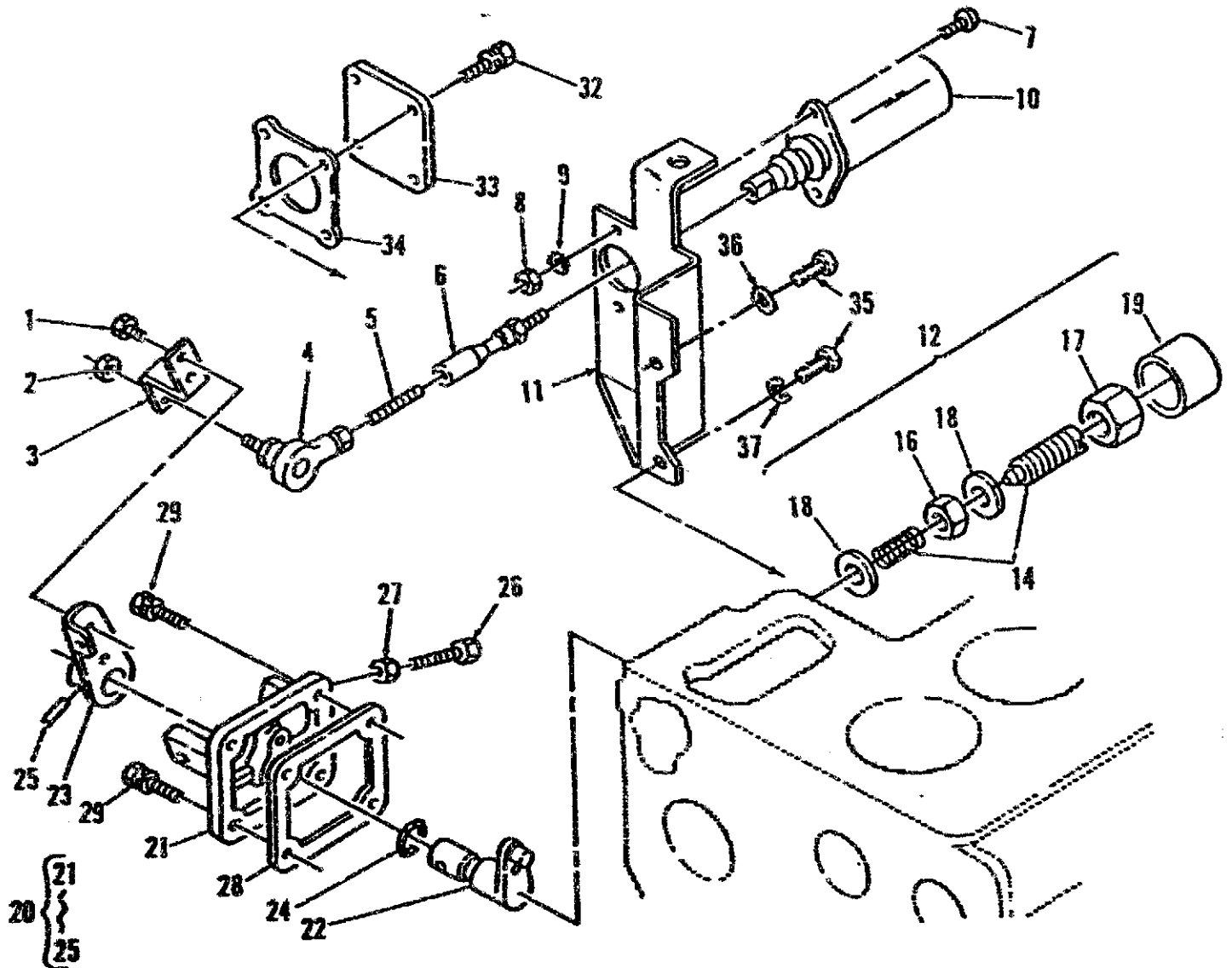
Governor



REF NO.	PART NO.	QTY USED	PART DESCRIPTION	REF NO.	PART NO.	QTY USED	PART DESCRIPTION
1	185-2103	1	Spring	9	NFS	1	Spring
2			Spring, Governor	10	NFS	1	Pivot
	185-2408	1	Style I	11	NFS	1	Screw, Adjusting
	185-2427	1	50 Hz	12	185-2262	1	Lever, Governor (Style I Gov.)
	185-2440	1	60 Hz		185-2442	1	Lever, Governor (Style II Gov.)
3	185-2261	1	Style II	13	185-2166	1	Shaft
5	185-2310	1	Lever, with Shaft - Governor	14	718-1008	1	Screw, Cap - Hex Head (M5 x .5 x 16mm)
			Lever Assembly, Governor (Style I Gov.)	15	185-2379	1	Washer, Lock - Spring (M5)
	185-2441	1	Lever Assembly, Governor (Style II Gov.)	16	185-2167	1	Holder, Lever - Governor
6	NFS		Lever	17	185-2173	1	Bolt, Hex
7	NFS		Follower, Cam	18	185-2392	2	Screw, Cap - Hex Head with Lockwasher (M6 x 1 x 28mm)
8	NFS		Plug				

NOTE: See introduction for governor style identification.

Stop Assembly

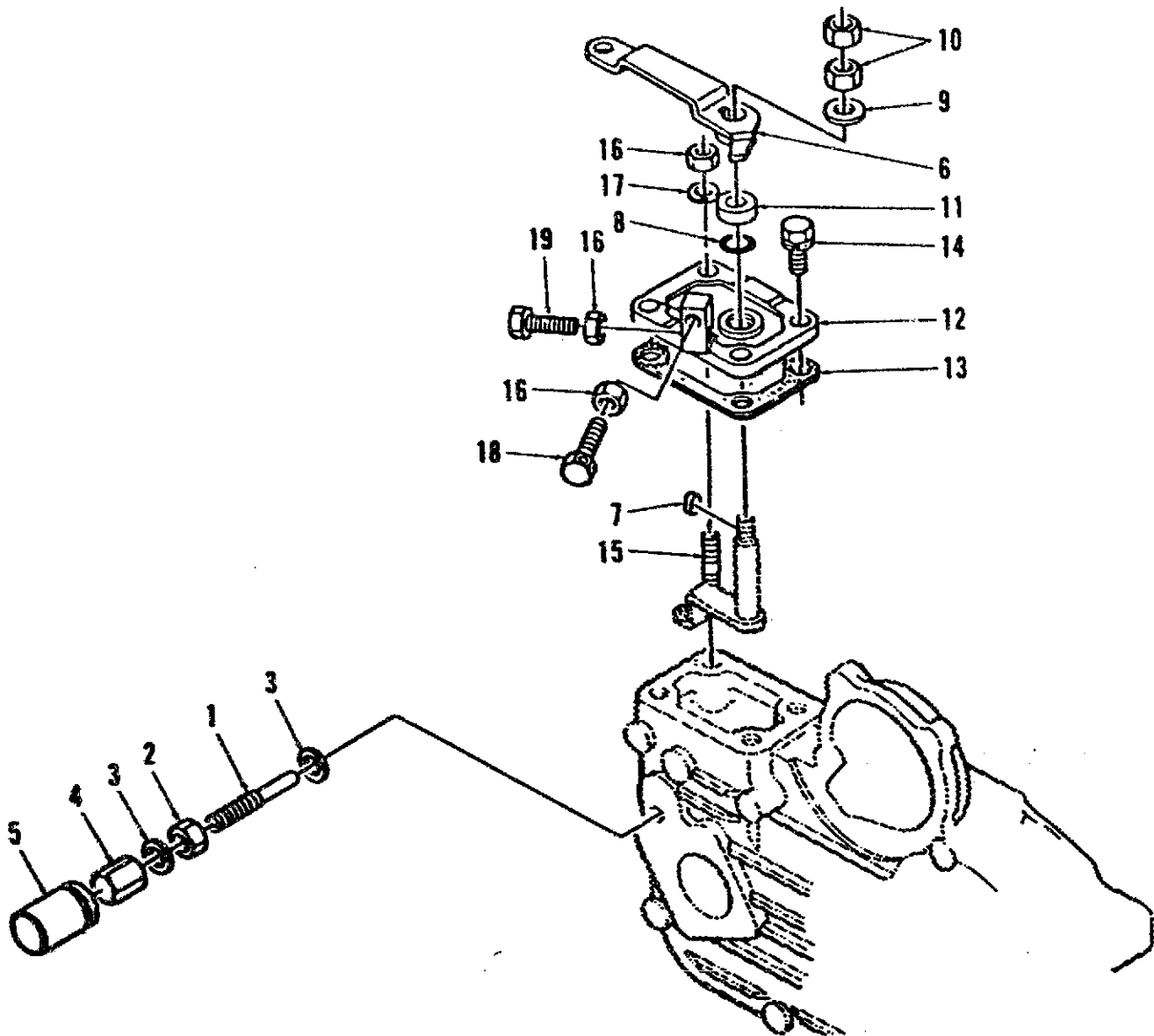


REF NO.	PART NO.	QTY USED	PART DESCRIPTION	REF NO.	PART NO.	QTY USED	PART DESCRIPTION
1	815-0181	2	Screw, Tapping - Hex Head (#10-32 x 1/2")	20	185-2462	1	Lever, Stop (Includes Parts Marked *)
2	115-0025	1	Nut, Hex (1/4-28 UNF)	21	185-2257	1	*Cover
3	150-1991	1	Bracket, Stop Lever	22	NFS	1	*Shaft
4	150-1995	1	Ball Joint (1/4-28 UNF)	23	NFS	1	*Lever
5	520-0939	1	Stud (1/4-28 x 1-1/2" LG)	24	185-2347	1	*O-Ring
6	150-1733	1	Ball Joint (1/4-28 UNF)		185-2461	1	Seal, Oil
7	813-0102	2	Screw, Machine - Round Head (#10-32 x 5/8")	25	185-2351	1	*Pin, Spring
8	870-0131	2	Nut, Hex with ET Lockwasher (#10-32)	26	185-2342	1	Bolt, Hex
9	856-0003	2	Washer, Lock - EIT (#10)	27	750-1004	1	Nut, Hex (M8 x 1)
10	307-2546	1	Solenoid, Electric (12 VDC)	28	185-2114	1	Gasket
11	150-1912	1	Bracket, Solenoid Mounting	29	185-2389	4	Screw, Cap - Hex Head with Lockwasher (M6 x 1 x 16mm)
12			Control, Idle - Governor	32	185-2400	4	Screw, Cap - Hex Head with Lockwasher (M8 x 1.25 x 16m)
	185-2258	1	Style I	33	185-2126	1	Cover
	185-2432	1	Style II	34	185-2120	1	Gasket
14			Adjuster, Idle - Governor	35	800-2057	2	Screw, Hex Head (M8 x 1.25 x 20mm)
	185-2259	1	Style I	36	856-0008	1	Washer, Lock - External, Internal Tooth (M8)
	185-2433	1	Style II	37	850-2008	1	Washer, Lock
16	185-2180	1	Nut, Hex				
17	185-2182	1	Cap Nut				
18	185-2338	2	Seal, Oil				
19	185-2161	1	Cap				

* - Parts Included in Stop Lever Assembly

Redistribution or publication of this document by any means, is strictly prohibited.

Speed Control Assembly

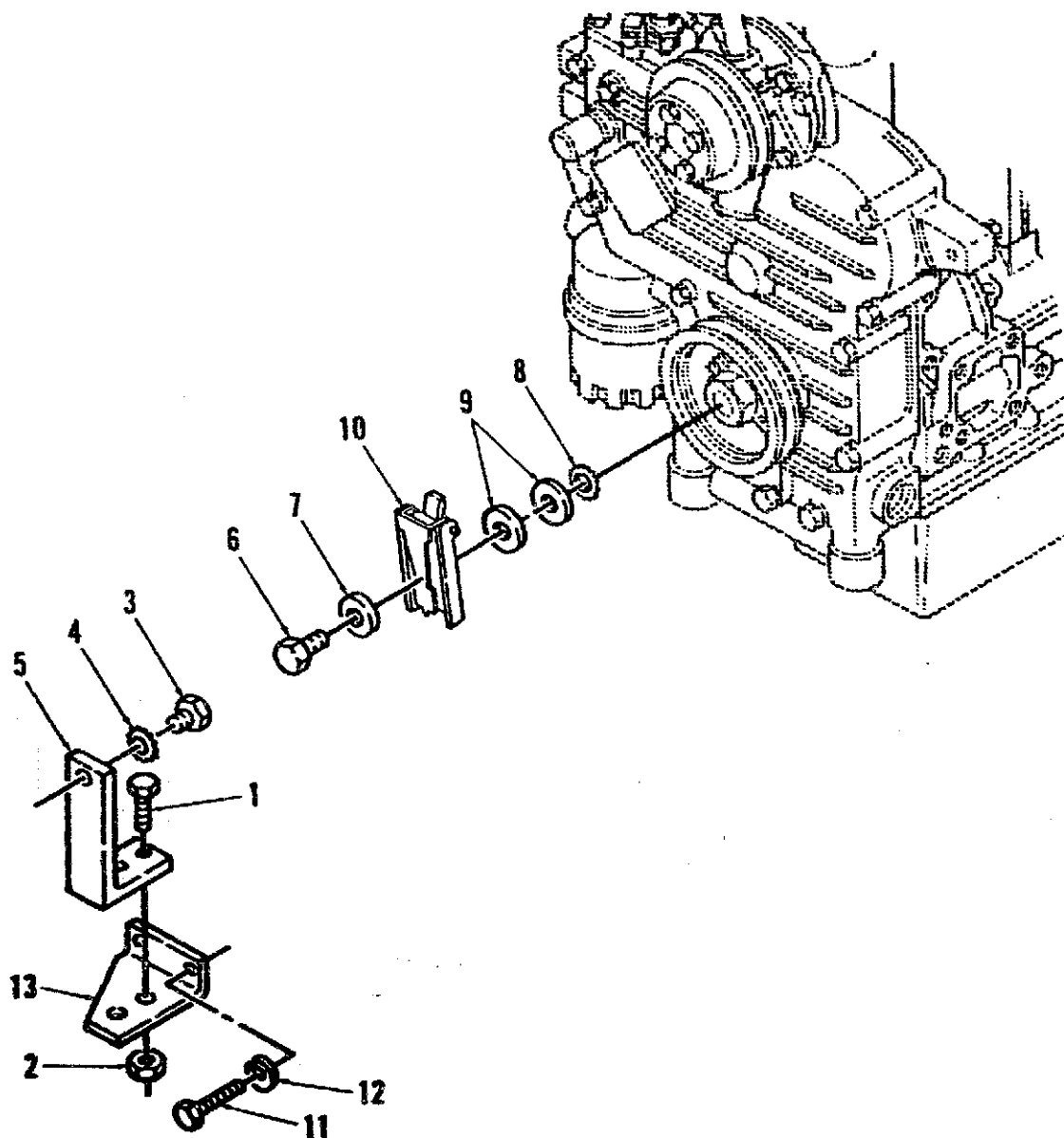


73-1598

REF NO.	PART NO.	QTY USED	PART DESCRIPTION	REF NO.	PART NO.	QTY USED	PART DESCRIPTION
1	185-2260	1	Screw, Adjusting Style I	10	185-2364	2	Nut, Hex (M6 x 1)
	185-2438	1	Style II	11	185-2169	1	Bearing, Sleeve
2	185-2248	1	Nut, Hex	12	185-2263	1	Housing, Control - Speed
3	185-2284	3	Seal, Oil	13	185-2168	1	Gasket
4	185-2282	1	Cap Nut	14	185-2390	3	Screw, Cap - Hex Head with Lockwasher (M6 x 1 x 20mm)
5	185-2283	1	Cap	15	185-2105	1	Stud
6	185-2264	1	Lever, Control - Speed	16	750-1004	3	Nut, Hex (M6 x 1)
7	185-2187	1	Key	17	185-2380	1	Washer, Lock - Spring (M6)
8	185-2373	1	O-Ring	18	815-0649	1	Bolt, Hex - Lever Stop
9	185-2376	1	Washer, Flat (M6)	19	185-2439	1	Bolt, Hex - Lever Stop

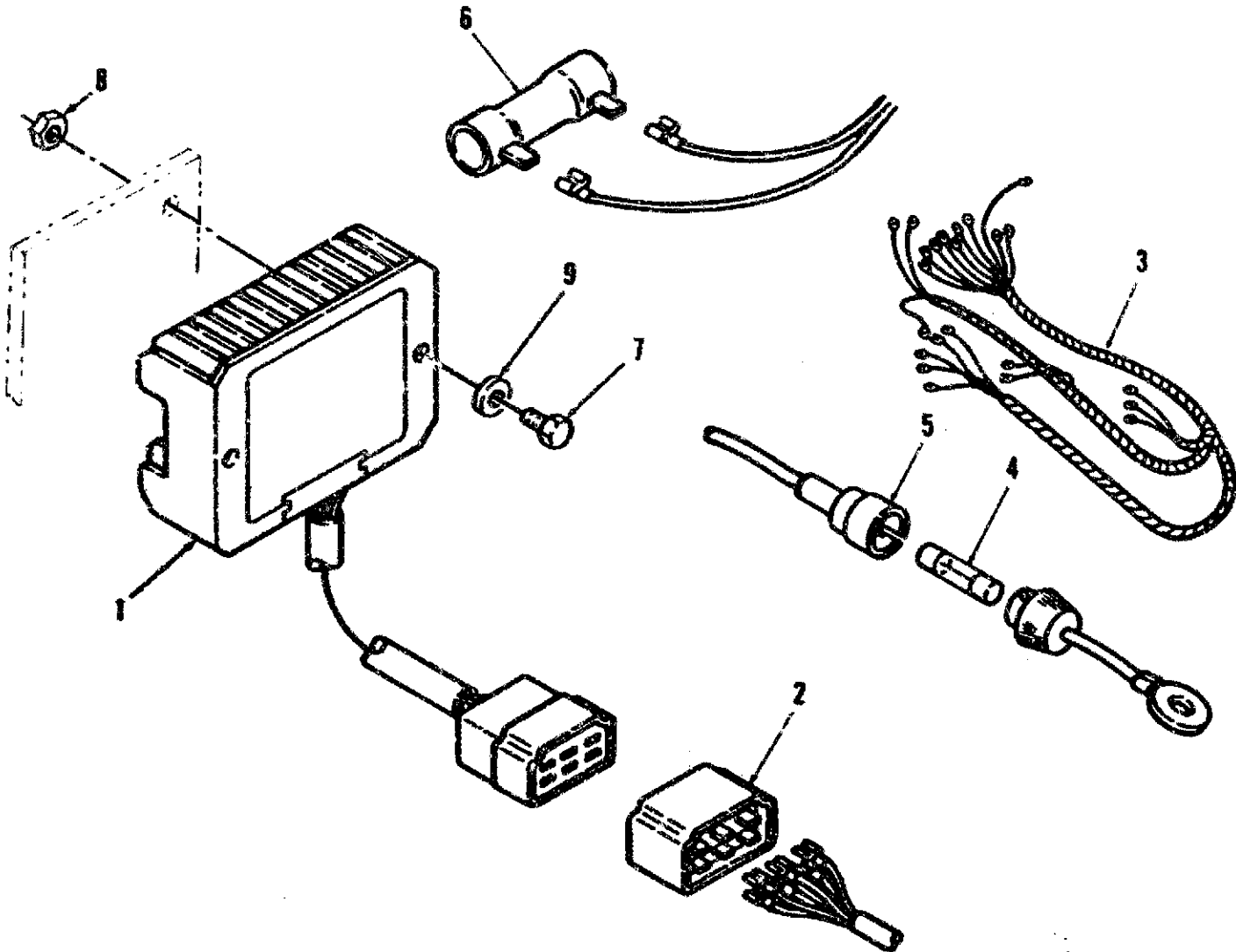
NOTE: See Introduction for governor style identification.

Overspeed Switch



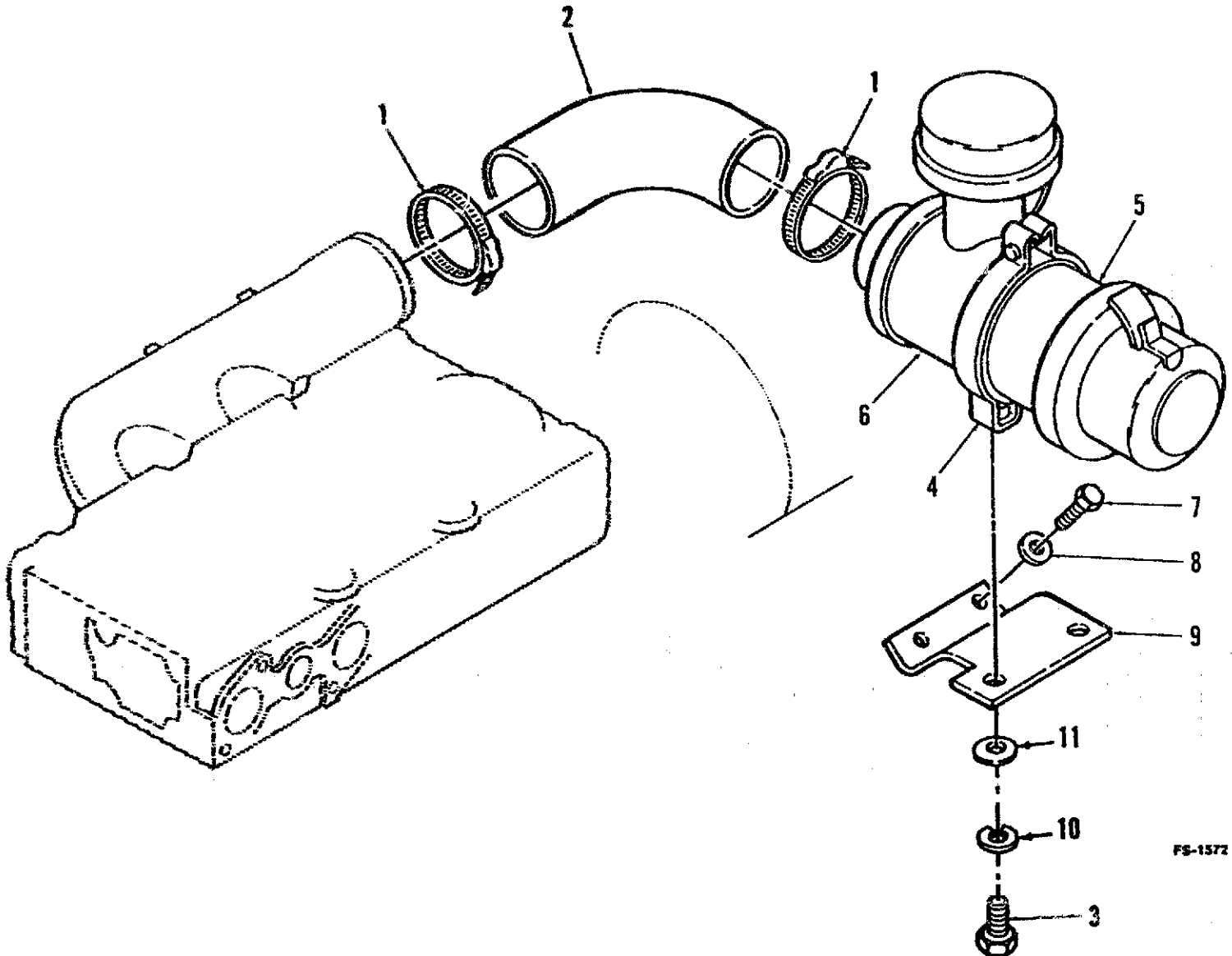
REF NO.	PART NO.	QTY USED	PART DESCRIPTION	REF NO.	PART NO.	QTY USED	PART DESCRIPTION
1	821-0015	2	Screw, Self-locking - Hex Washer Head (1/4-20 x 3/4")	7	850-2008	1	Washer, Lock - Spring (M8)
2	870-0212	2	Nut, Self-locking - Hex Washer Head (1/4-20)	8	856-0008	1	Washer, Lock - EIT (5/16")
3	150-2011	1	Point, Contact - Electrical (1/4-20 x 3/8")	9	526-0113	2	Washer, Flat (5/16")
4	853-0013	1	Washer, Lock - ET (1/4")	10	150-0717	1	Switch, Overspeed
5	150-2009	1	Bracket, Support - Overspeed Contact (Nonmetallic)	11	800-2044	2	Screw, Cap - Hex Head (M6 x 1.0 x 70mm)
6	800-2057	1	Screw, Cap - Hex Head (M8 x 1.25 x 20mm)	12	850-2006	2	Washer, Lock - Spring (M8)
				13	150-2010	1	Bracket, Support - Overspeed Switch

Voltage Regulator & Wiring Harness



REF NO.	PART NO.	QTY USED	PART DESCRIPTION	REF NO.	PART NO.	QTY USED	PART DESCRIPTION
1	185-2252	1	Regulator, Voltage (12 VDC)	5	321-0267	1	Holder, Fuse
	815-0236	4	Screw, Tapping - Hex Head (5/16-18 x 5/8")	6	304-0776	1	Resistor, Fixed, Wirewound (R1) 5 Ohm, 10 Watt (Part of Engine to Control Wiring Harness)
2	185-2424	1	Adaptor, Electrical Connector	7	815-0544	2	Screw, Round Head Machine - Cross-Recessed with Internal Teeth (#6-32 x 1/2)
3	338-1762	1	Harness, Wiring - Engine to Control Manual Remote	8	870-0050	2	Nut, Self-Locking (6-32)
	338-1825-01	1	Without Overspeed Switch	9	526-1002	2	Washer, Flat (#6)
	338-1825-01	1	With Overspeed Switch				
4	321-0113	1	Fuse, Cartridge (30 Amp, 32 VDC, Slo Blo)				

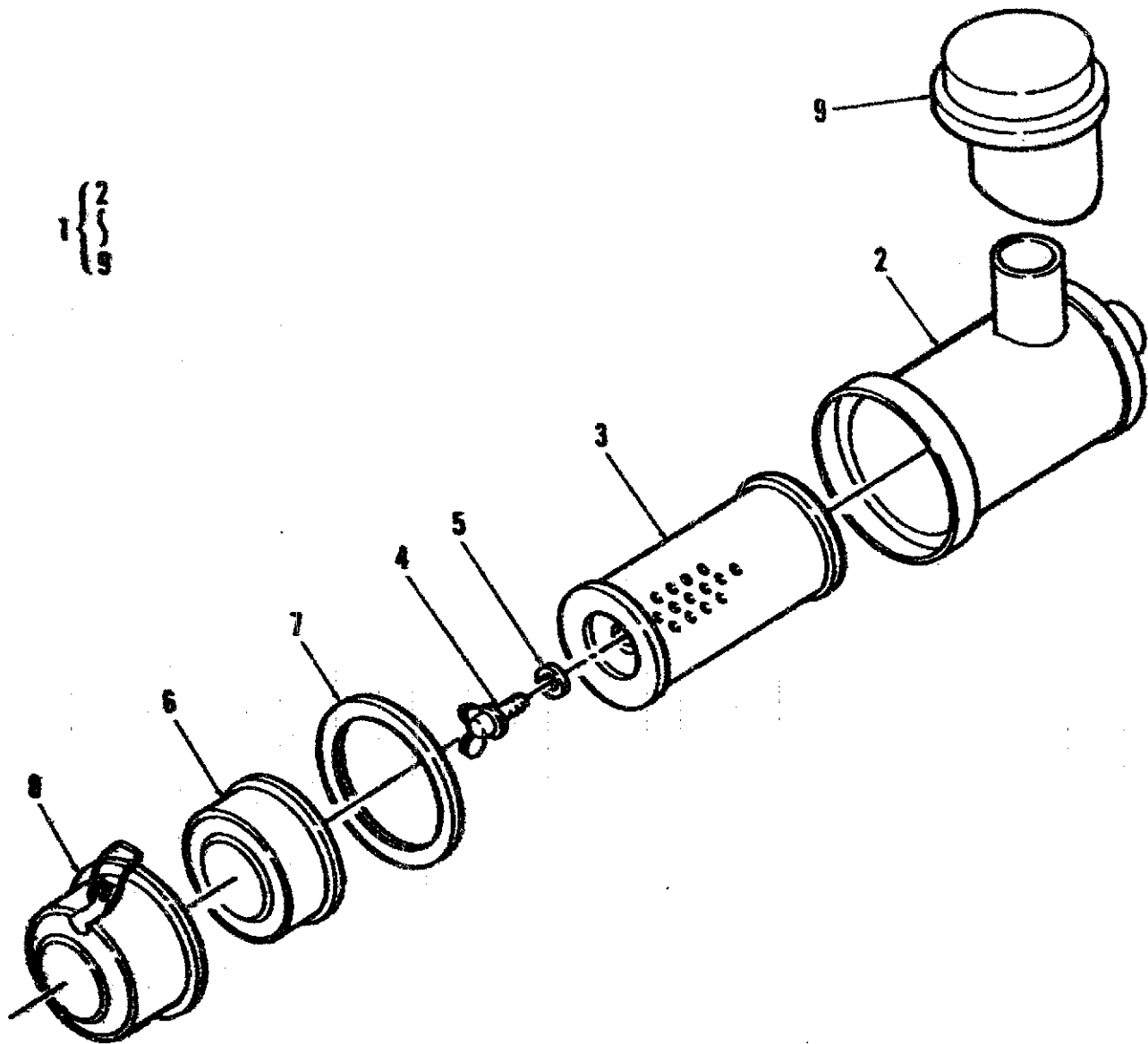
Air Cleaner



FS-1572

REF NO.	PART NO.	QTY USED	PART DESCRIPTION	REF NO.	PART NO.	QTY USED	PART DESCRIPTION
1	503-0365	2	Clamp, Hose	8	526-0018	2	Washer, Flat (17/64" ID x 5/8" OD x 1/16" Thk)
2	503-1316	1	Hose, Elbow - Preformed	9	140-1902	1	Bracket, Mounting - Air Cleaner
3	800-2056	2	Screw, Cap - Hex Head (M8 x 1.25 x 16mm)	10	850-2008	2	Washer, Lock (M8)
4	185-2199	1	Band, Mounting - Air Cleaner	11	526-2100	2	Washer, Flat (M8)
5	185-2201	1	Cushion				
6	185-2206	1	Cleaner Assembly, Air (See Separate Page for Components)				
7	815-0315	2	Screw, Tapping - Hex Washer Head (1/4-20 x 1/2") or use -				
	821-0010	2	Screw, Self-locking - Hex Washer Head (1/4-20 x 1/2")				

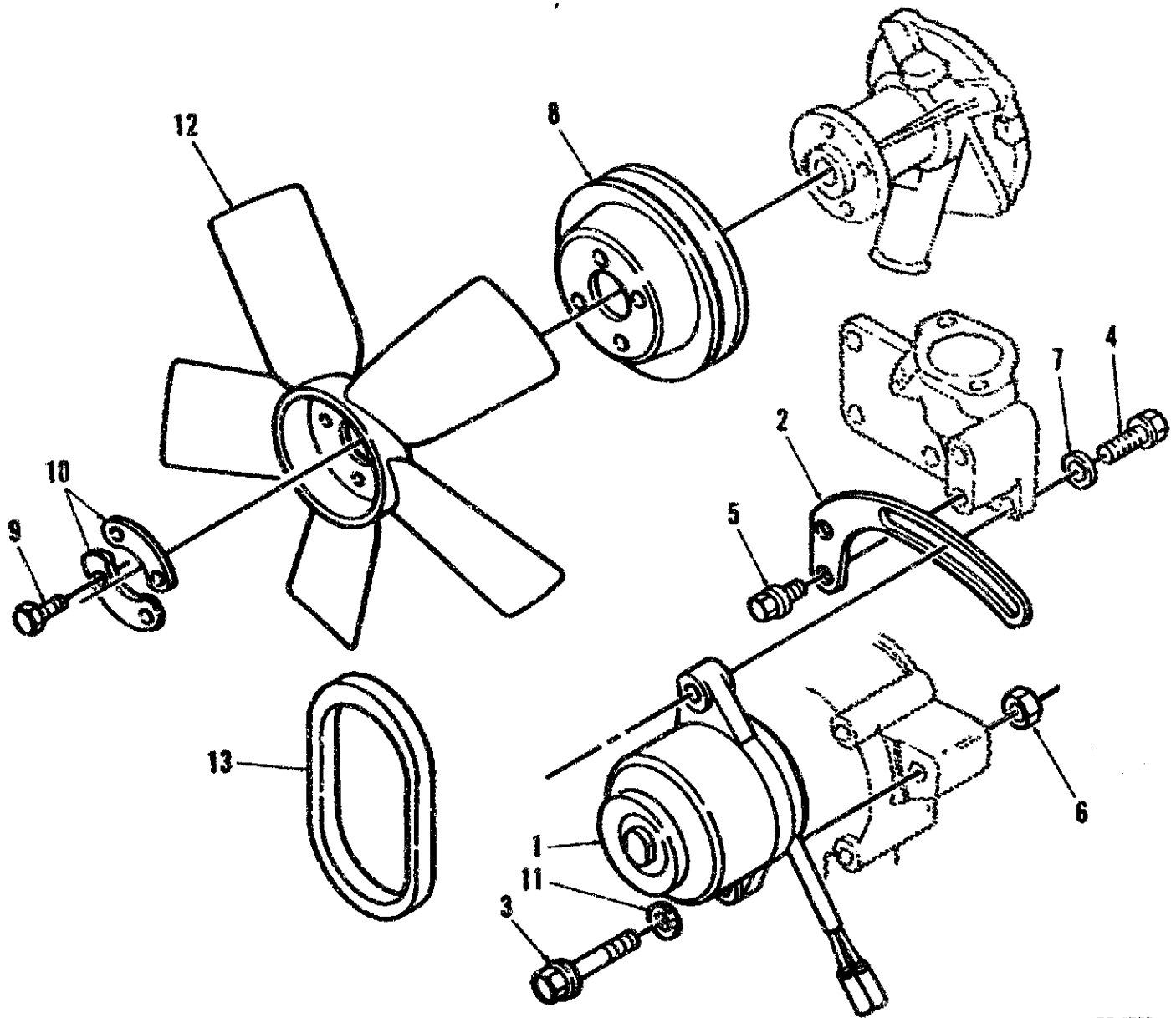
Air Cleaner - Components



FD-1073

REF NO.	PART NO.	QTY USED	PART DESCRIPTION	REF NO.	PART NO.	QTY USED	PART DESCRIPTION
1	185-2206	1	Cleaner Assembly, Air	6	185-2091	1	Baffle
2	NFS		Housing, Air Cleaner	7	185-2089	1	Gasket
3	185-2090	1	Element, Filter - Air Cleaner	8	185-2121	1	Cover
4	185-2108	1	Bolt, Wing	9	185-2122	1	Hood, Air Inlet
5	185-2110	1	Gasket				

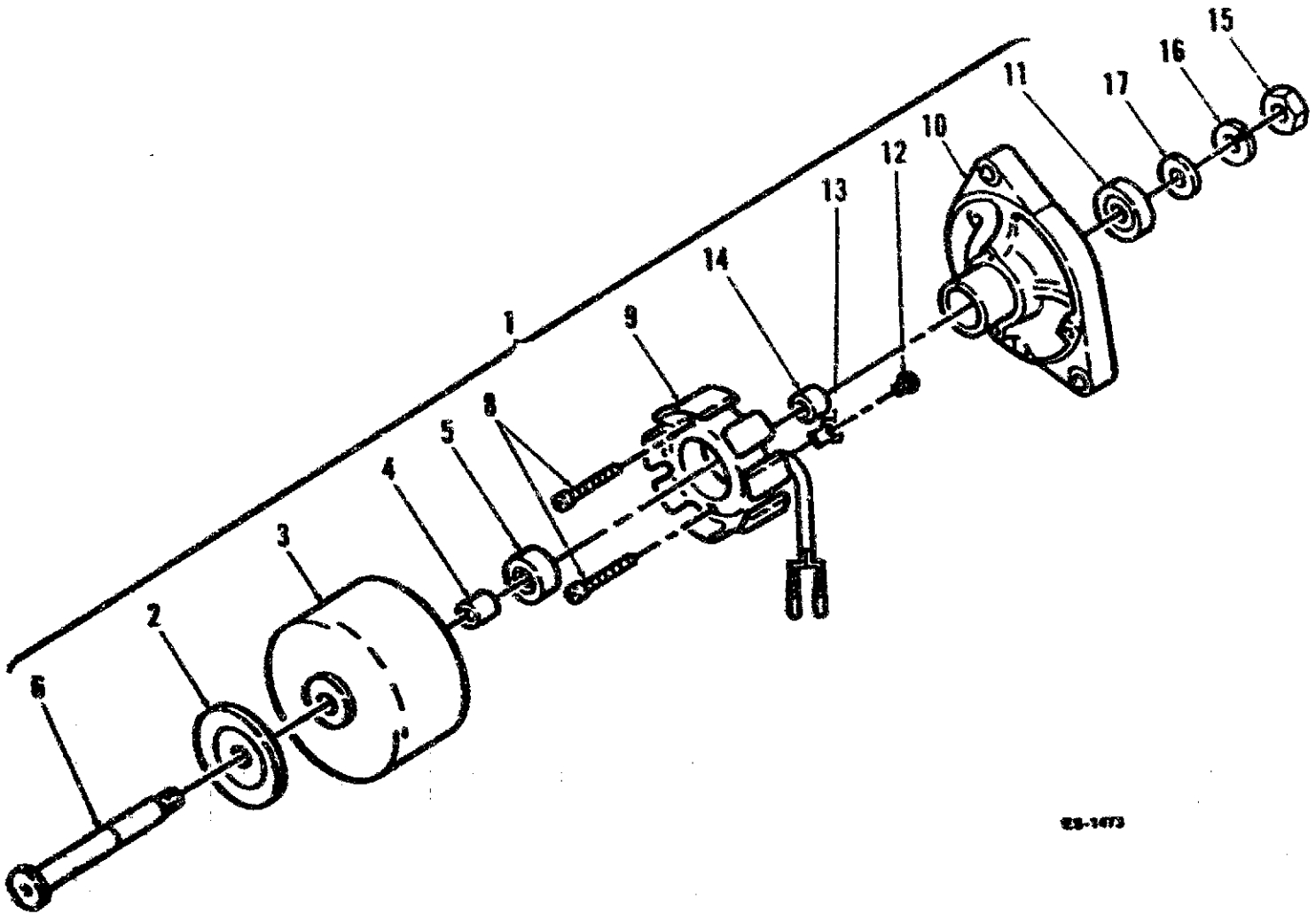
Alternator



ES-1363

REF NO.	PART NO.	QTY USED	PART DESCRIPTION	REF NO.	PART NO.	QTY USED	PART DESCRIPTION
1	185-2266	1	Alternator (12 VDC) (See Separate Page for Components)	7	185-2377	1	Washer, Flat (M8)
2	185-2273	1	Bracket, Adjusting	8	185-2247	1	Pulley
3	185-2405	1	Screw, Cap - Hex Head with Lockwasher (M8 x 1.25 x 60mm)	9	718-1018	4	Screw, Cap - Hex Head (M6 x 10mm)
4	185-2403	1	Screw, Cap - Hex Head with Lockwasher (M8 x 1.25 x 25mm)	10	185-2346	2	Locking Plate - Bolt/Nut
5	185-2388	1	Screw, Cap - Hex Head with Lockwasher (M6 x 1 x 16mm)	11	185-2378	1	Washer, Flat (M8)
6	750-1008	1	Nut, Hex (M8 x 1.25)	12	185-2299	1	Fan
					185-2458	1	Suction
				13	185-2275	1	Belt, Drive

Alternator - Components

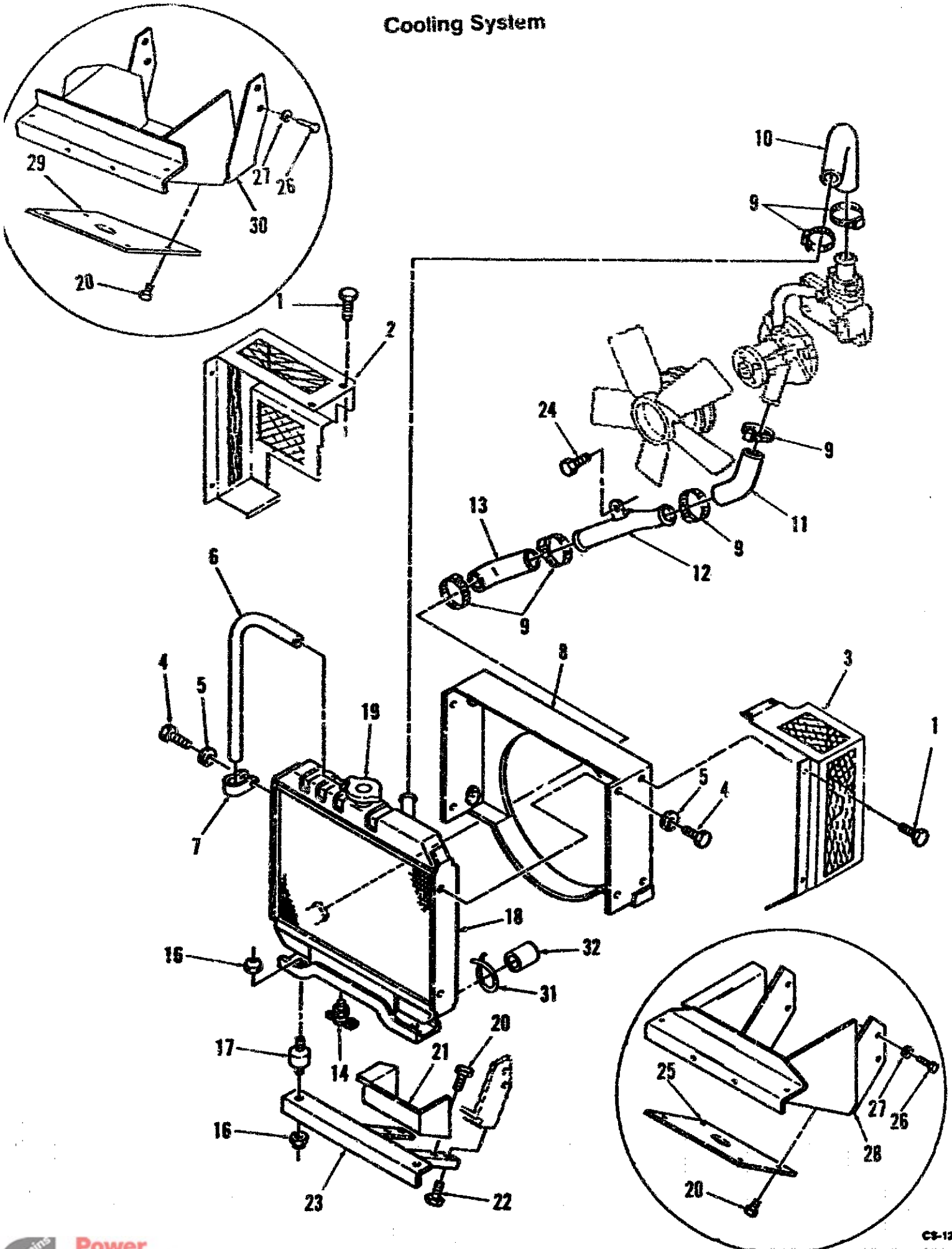


ES-1473

REF NO.	PART NO.	QTY USED	PART DESCRIPTION	REF NO.	PART NO.	QTY USED	PART DESCRIPTION
1	185-2266	1	Alternator (12 VDC)	10	185-2268	1	Housing, Alternator
2	185-2269	1	Pulley	11	185-2246	1	Bearing, Ball
3	185-2267	1	Rotor	12	185-2249	1	Screw, Machine - Round Head - Cross-Recessed Drive, with Lockwasher
4	185-2270	1	Spacer, Sleeve	13	185-2271	1	Clamp, Electrical Cord
5	185-2246	1	Bearing, Ball	14	185-2171	1	Spacer, Sleeve
6	185-2245	1	Shaft, Rotor	15	185-2181	1	Nut, Hex
8	185-2183	2	Screw, Machine - Round Head, Cross-Recessed Drive, with Lockwasher	16	185-2186	1	Washer, Lock - Spring
9	185-2272	1	Stator	17	185-2185	1	Washer, Flat

THIS PAGE INTENTIONALLY LEFT BLANK

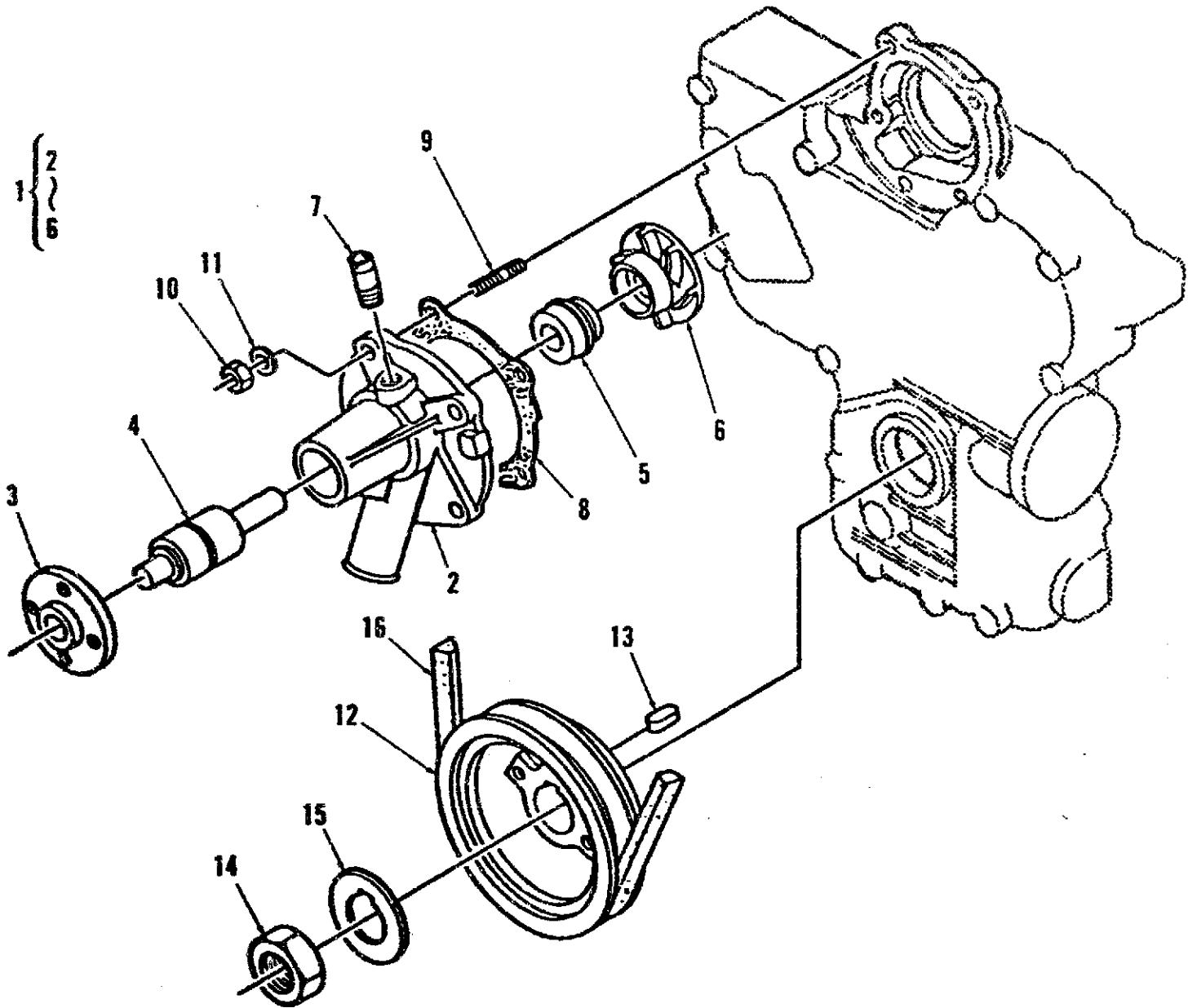
Cooling System



Cooling System

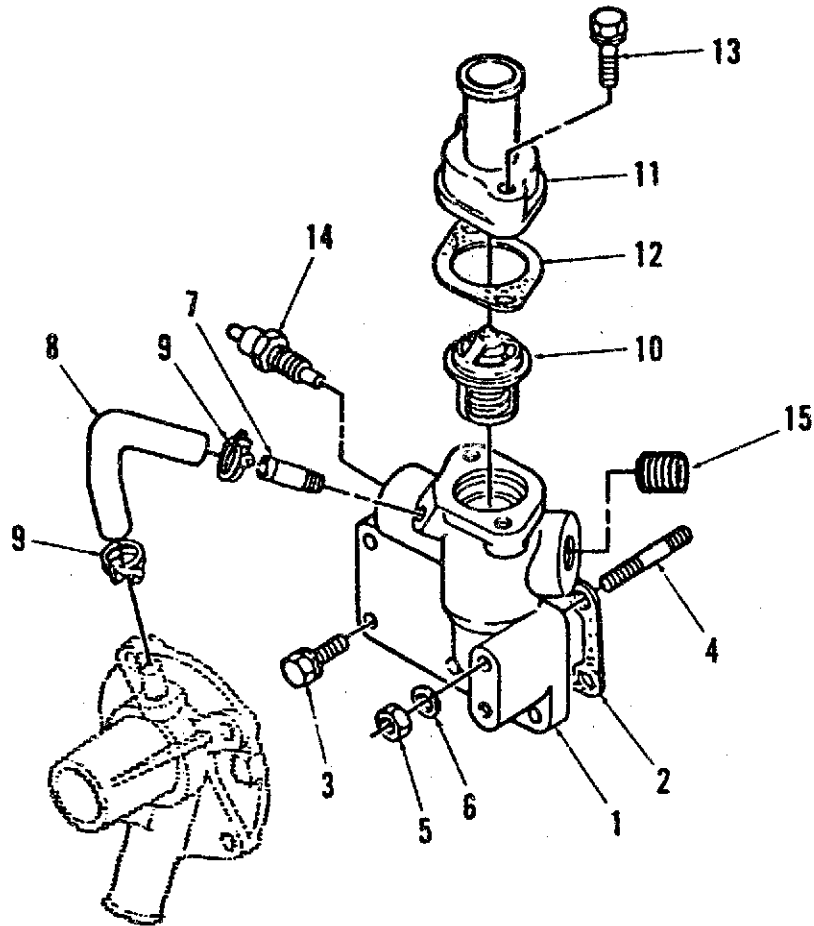
REF NO.	PART NO.	QTY USED	PART DESCRIPTION	REF NO.	PART NO.	QTY USED	PART DESCRIPTION
1	821-0009	6	Screw, Self-locking - Hex Washer Head (1/4-20 x 3/8")	21	130-2501	1	Guard, Belt (Used Through February 1984)
2	130-2500	1	Guard, Belt (Left Side)	22	821-0029	2	Screw, Self-locking - Hex Washer Head (3/8-16 x 3/4") (Used Through February 1984)
3	130-2493	1	Guard, Belt (Right Side)	23	130-2350	1	Bracket, Radiator (Used Through February 1984)
4	800-2027	4	Screw, Cap - Hex Head (M6 x 1 x 10mm)	24	718-1017	1	Screw, Cap - Hex Head (M6 x 1.0 x 10mm) (Used Through February 1984)
5	850-2006	4	Washer, Lock - Spring (M6)	25	130-2550	1	Guard, Belt (Used Through March 1984)
6	185-2421	1	Hose, Rubber - Overflow	26	815-0585	4	Screw, Cap - Hex Head (M10 x 1.25 x 20mm) (Used Beginning March 1984)
7	332-2650	1	Clamp, Loop	27	850-2010	4	Washer, Lock - Spring (M10) (Used Beginning March 1984)
8	130-2514	1	Shroud, Fan	28	130-2549	1	Bracket, Radiator (Used Beginning March 1984)
9	503-0189	6	Clamp, Hose	29	130-3231	1	Guard, Belt (Use Beginning Spec C)
10	185-2256	1	Hose, Radiator - Preformed	30	130-3230	1	Bracket, Radiator (Use Beginning Spec C)
11	185-2278	1	Hose, Rubber - Preformed	31	503-1319	1	Clamp, Hose
12	185-2277	1	Tube, Water	32	185-2419	1	Plug, Radiator
13	185-2276	1	Hose, Rubber - Preformed				
14	504-0005	1	Cock, Drain (3/8 NPT)				
16	870-0212	4	Nut, Self-locking - Hex Washer Head (1/4-20)				
17	402-0581	2	Mount, Vibration				
18	185-2274	1	Radiator (Includes Cap)				
19	185-2193	1	Cap, Radiator				
20	815-0389	4	Screw, Tapping - Hex Washer Head (1/4-20 x 3/8") or use -				
	821-0009	4	Screw, Self-locking - Hex Washer Head (1/4-20 x 3/8")				

Water Pump



REF NO.	PART NO.	QTY USED	PART DESCRIPTION	REF NO.	PART NO.	QTY USED	PART DESCRIPTION
1	185-2236	1	Pump, Water	9	185-2363	4	Stud
2	NFS		Housing, Pump	10	750-1004	4	Nut, Hex (M6 x 1)
3	185-2243	1	Flange, Pump Shaft	11	185-2380	4	Washer, Lock - Spring (M6)
4	185-2244	1	Shaft with Bearing	12	185-2251	1	Pulley
5	185-2237	1	Seal	13	185-2353	1	Key
6	185-2242	1	Impeller	14	185-2088	1	Nut, Hex
7	185-2239	1	Adapter, Hose	15	185-2207	1	Washer, Flat - Keyed
8	185-2241	1	Gasket	16	185-2275	1	Belt, Drive

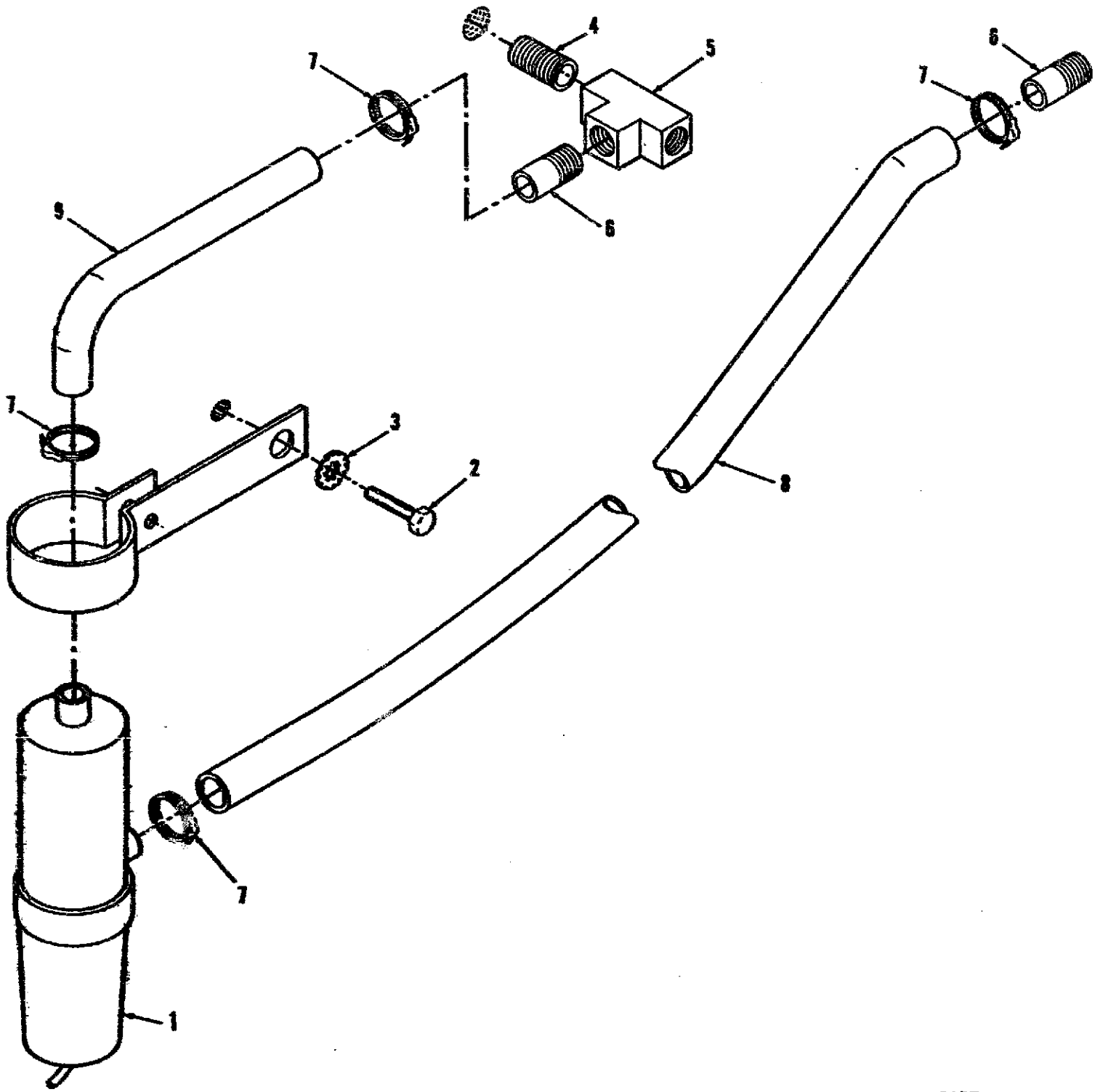
Cooling System - Thermostat & Housing



CS-1259

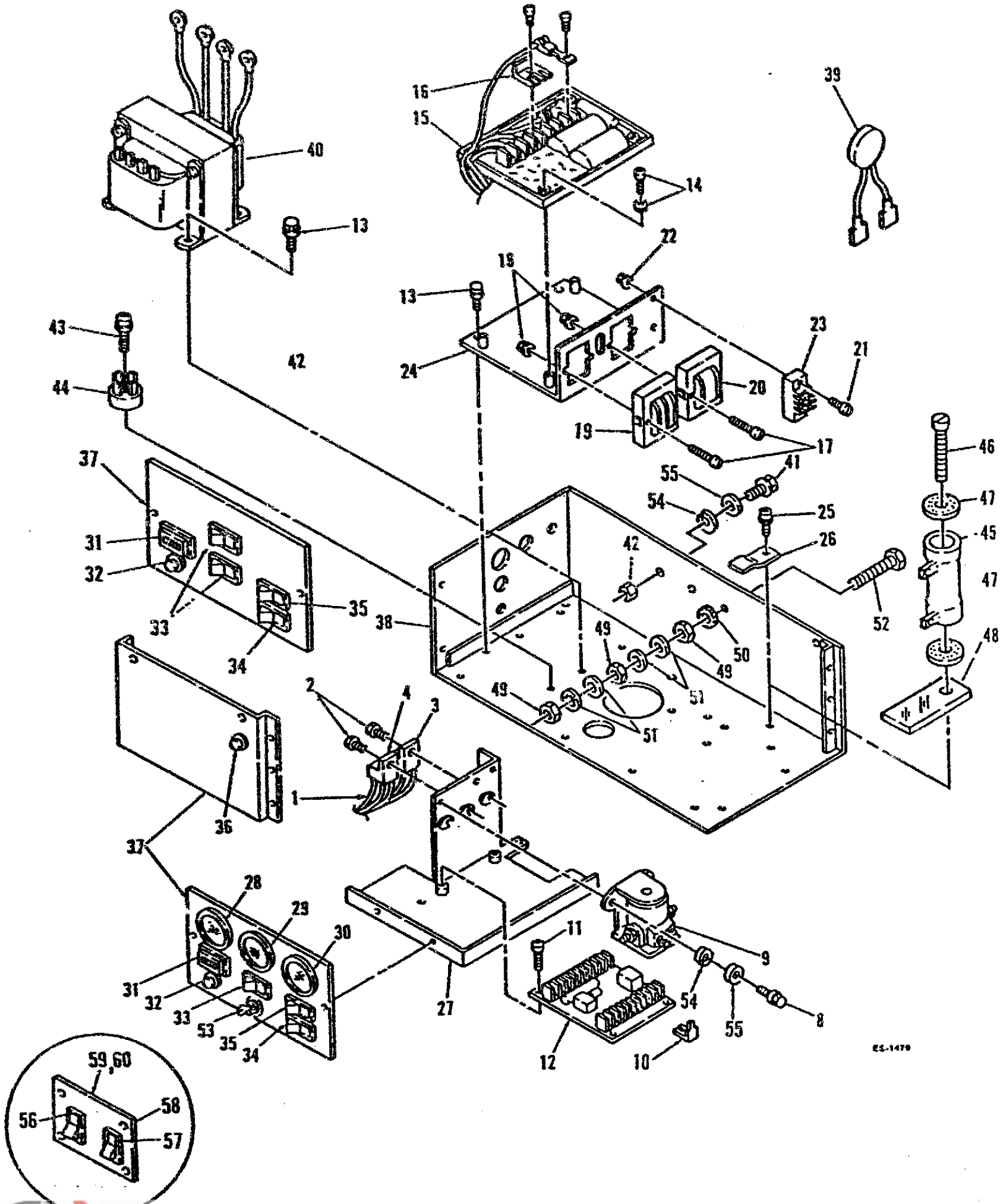
REF NO.	PART NO.	QTY USED	PART DESCRIPTION	REF NO.	PART NO.	QTY USED	PART DESCRIPTION
1	185-2311	1	Housing, Thermostat	10	185-2235	1	Thermostat
2	185-2175	1	Gasket	11	185-2423	1	Cover, Thermostat
3	185-2388	5	Screw, Cap - Hex Head with Lockwasher (M6 x 1 x 16mm)	12	185-2238	1	Gasket
4	185-2360	1	Stud	13	185-2393	2	Screw, Cap - Hex Head with Lockwasher (M6 x 1 x 35mm)
5	750-1004	1	Nut, Hex (M6 x 1)	14	309-0513	1	Switch, Thermostatic - High Engine Temperature Shutdown (S2)
6	185-2380	1	Washer, Lock - Spring (M6)	15	505-0266	1	Plug, Pipe - Square Socket Drive
7	185-2239	1	Adapter, Hose				
8	185-2300	1	Hose, Rubber - Preformed				
9	185-2240	2	Clamp, Hose				

Engine Heater



REF NO.	PART NO.	QTY USED	PART DESCRIPTION	REF NO.	PART NO.	QTY USED	PART DESCRIPTION
1	333-0406-01	1	Heater, Engine	5	505-0060	1	Tee, Pipe
2	815-0586	1	Screw, Cap - Hex Head (M10 x 1-1/4 x 16mm)	6	505-0135	2	Nipple, Pipe - Half
3	856-0010	1	Washer, Lock - EIT (M10)	7	503-0183	4	Clamp, Hose (#10)
4	505-0306	1	Nipple, Pipe	8	503-0712	1	Hose, Heater (28" Lg)
				9	503-0261	1	Hose, Water (8.5" Lg)

Control

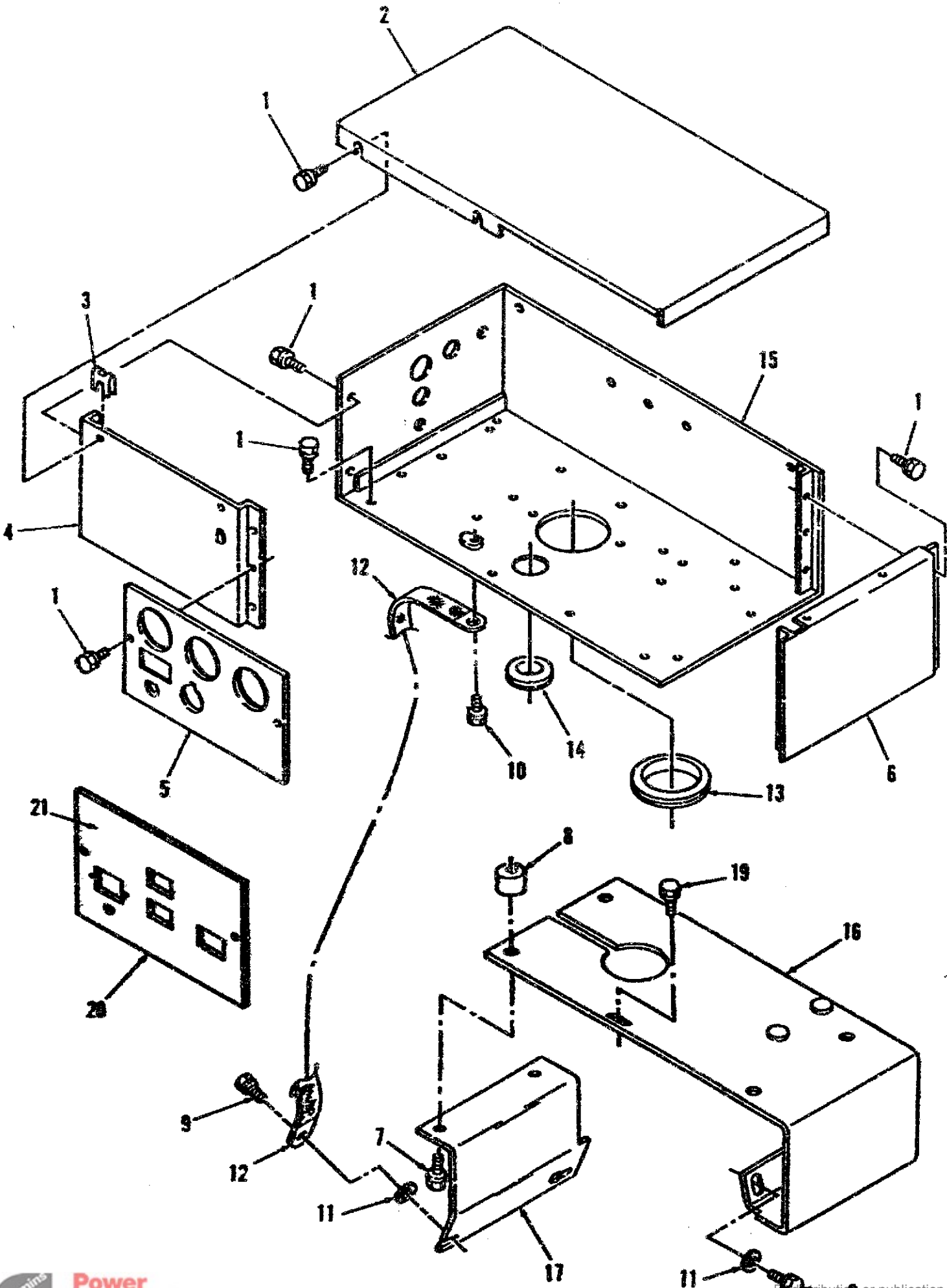


ES-1478

Control

REF NO.	PART NO.	QTY USED	PART DESCRIPTION	REF NO.	PART NO.	QTY USED	PART DESCRIPTION
1	338-1760	1	Harness, Wiring - Control (Includes K13, K14 Relays)	35	308-0739	1	Switch, Rocker - Start/Stop (S11)
2	821-0004	2	Screw, Self-locking - Hex Washer Head (#10-32 x 5/16")	36	320-1121	1	Breaker, Circuit - 3 Amp, 250 VAC (CB21)
3	307-1886	1	Relay (K13)	37			Panels (See Control Box Assembly Figure for Identification)
4	307-1886	1	Relay (K14)				Box, Control (See Control Box Assembly Figure for Identification)
8	821-0003	2	Screw, Self-locking - Hex Washer Head (1/4-20 x 1/2")	38			
9	307-1617	1	Solenoid, Electric - 12 VDC (K11)	39	305-0703	1	Suppressor, Voltage (RV21) - Single Phase Sets
10	332-1564	2	Lug, Terminal - Right Angle	40			Transformer, Voltage Regulating (T21) - Single Phase Sets
11	815-0544	4	Screw, Machine - Round Head Cross-Recessed Drive with IT Lockwasher (#6-32 x 1/2")				
12	300-2604	1	Board, Circuit - Printer (Engine Monitor) (A11)		315-0572	1	60 Hz
13	821-0004	7	Screw, Self-locking - Hex Washer Head (#10-32 x 5/16")		315-0583	1	50 Hz
15	305-0688	1	Regulator, Voltage - Switching (VR12)	41	821-0003	2	Screw, Self-locking - Hex Washer Head (1/4-20 x 1/2") - Single Phase Sets
	812-0071	4	Screw, Machine - Round Head (#6-32 x 1-1/2")	42	332-2370	2	Standoff, Insulating - Hex (TB21,22) - Single Phase Sets
	853-0003	4	Washer, Lock - ET (#6)	43	815-0346	1	Screw, Machine - Round Head Brass with IT Lockwasher (#10-32 x 4/8") - Single Phase Sets
16	332-2605	1	Jumper, Terminal	44	305-0696	1	Rectifier, Bridge (CR21) - Single Phase Sets
17	812-0070	4	Screw, Machine - Round Head (#6-32 x 1-1/4")	45	304-0776	1	Resistor, Fixed (R1) 5 Ohm 10 Watt (Part of Engine to Control Wiring Harness) - Manual Start Sets
18	870-0183	4	Nut, Hex - with ET Lockwasher (#6-32)	46	812-0090	1	Screw, Machine - Round Head (#8-32 x 2-1/4") - Manual Start Sets
19	315-0386	1	Transformer, Voltage Ref (T21)	47	508-0015	2	Washer, Flat - Fiber (#8) - Manual Start Sets
20	315-0391	1	Reactor (CMR21)	48	304-0580	1	Plate, Insulating - Manual Start Sets
21	812-0063	2	Screw, Machine - Round Head (#6-32 x 1/2")	49	871-0016	3	Nut, Hex - Brass - Manual Start Sets (1/4-20)
22	870-0183	2	Nut, Hex - with ET Lockwasher (#6-32)	50	856-0006	2	Washer, Lock - EIT (1/4) - Manual Start Sets
23	332-1655	1	Block, Terminal (TB21)	51	526-0052	4	Washer, Flat - Brass (1/4") - Manual Start Sets
24	301-3719	1	Panel, Mounting - Regulator	52	821-0012	1	Screw, Self-Locking - Hex Washer Head (1/4-20 x 1-1/4) - Manual Start Sets
25	815-0544	1	Screw, Machine - Round Head Cross-Recessed Drive with IT Lockwasher (#6-32 x 1/2")	53	308-0779	1	Switch, Selector (S11) - Manual Start Sets
26	518-0437	1	Clip, Holddown		308-0843	1	Key
27	301-8454	1	Tray, Control - Relay Mounting	54	850-0040	3	Washer, Lock (1/4)
28	193-0352	1	Gauge, Pressure - Oil (M12)	55	526-0018	3	Washer, Flat (1/4)
29	193-0351	1	Gauge, Temperature - Coolant (M13)	56	308-0827	1	Switch, Start/Run/Stop - Remote Units
30	302-1641	1	Voltmeter - 12 VDC (M14)	57	308-0826	1	Switch, Preheat - Remote Units
	302-0270	1	Clamp, Mounting	58	301-9484	1	Panel, Remote - Remote Unit
	526-0049	36	Washer, Flat (#10)	59	98-5496	1	Decal, Panel (Front) - Remote Units
	871-0010	6	Nut, Hex (#10-32)	60	98-5497	1	Decal, Panel (Rear) - Remote Units
31	302-0885	1	Meter, Totalizing - Time (M11)				
	815-0544	2	Screw, Machine - Round Head Cross-Recessed Drive with IT Lockwasher (#6-32 x 1/2")				
	870-0183	2	Nut, Hex - with ET Lockwasher (#6-32)				
32	320-1139	1	Breaker, Circuit - 1/2 Amp, 50 VDC (CB12)				
33	320-1140	2	Breaker, Circuit - 15 Amp, 32 VDC, 125 VAC (CB11, 13)				
34	308-0778	1	Switch, Rocker - Preheat (S12)				

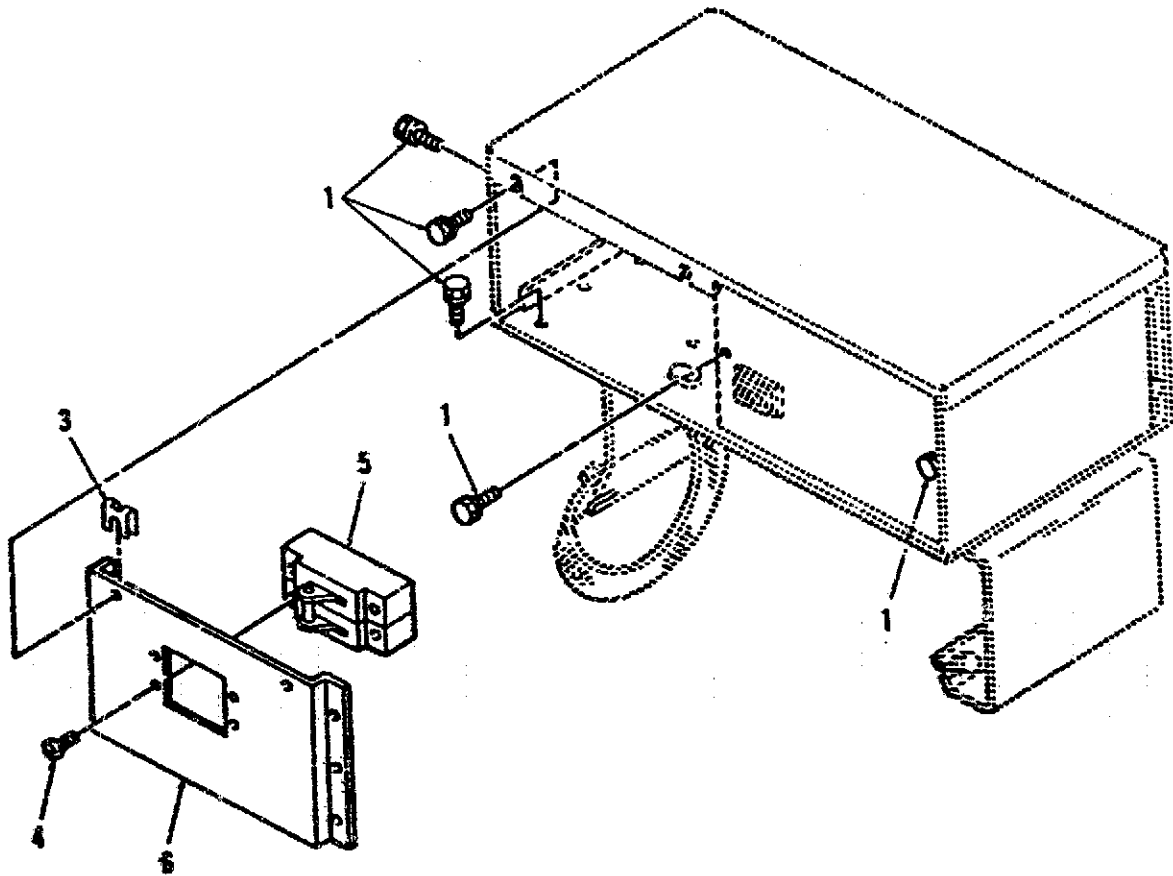
Control Box Assembly



Control Box Assembly

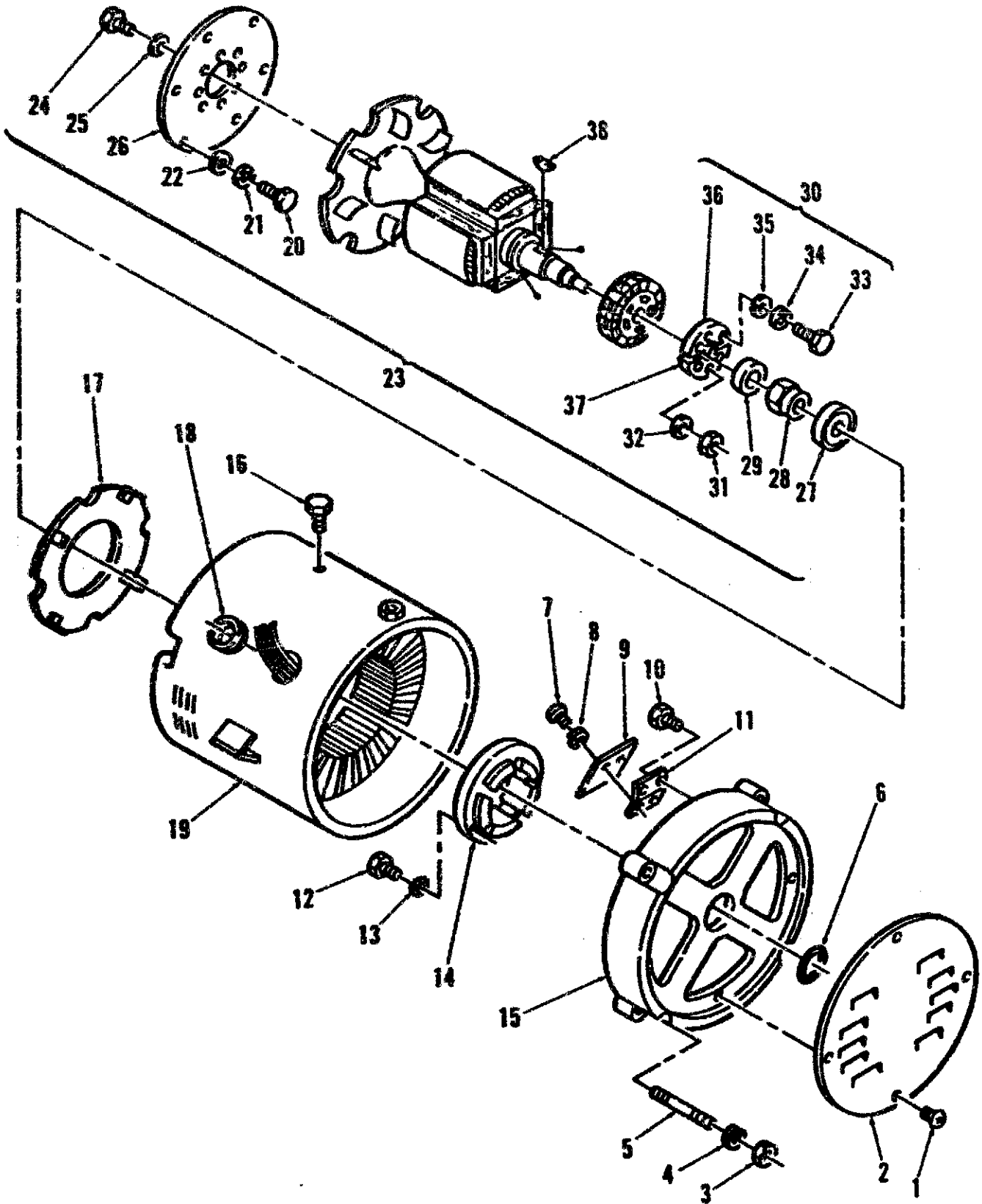
REF NO.	PART NO.	QTY USED	PART DESCRIPTION	REF NO.	PART NO.	QTY USED	PART DESCRIPTION
1	815-0544	16	Screw, Self-locking - Hex Washer Head (1/4-20 x 5/8")	6	301-8450	1	Panel, End
2	301-8447	1	Cover, Control	7	821-0014	4	Screw, Self-locking - Hex Washer Head (5/16-18 x 1/2)
3	870-0399	6	Nut, Retaining (#10-32)	8	402-0078	4	Mount, Vibration
4	301-8445	1	Panel, Generator Control (AC) Without Hole for Circuit Breaker	9	815-0236	4	Screw, Tapping - Hex Washer Head (5/16-18 x 5/8") or u
	301-8569	1	With Hole for Circuit Breaker	10	800-0025	1	Screw, Self-locking - Hex Washer Head (5/16-18 x 5/8)
5			Panel, Engine Control (DC) Manual Start Sets	11	856-0008	4	Washer, Lock - EIT (5/16")
	301-8448	1	With Holes for Time Totalizing Meter, Selector Switch and Round Circuit Breaker	12	337-0049	1	Strap, Electrical - Ground
	301-8449	2	With Holes for Three Gauges, Time Totalizing Meter, Selector Switch and Round Circuit Breaker	13	508-0115	2	Grommet (2-1/8" ID x 2-7/8" OD)
	301-8451	1	Remote Control Sets With Holes for Two Switches, Rectangular Circuit Breaker, Time Totalizing Meter and Round Circuit Breaker	14	508-0117	1	Grommet (1-1/8" ID x 1-3/8" OD)
	301-8452	1	With Holes for Three Gauges, Two Switches, Rectangular Circuit Breaker, Time Totalizing Meter and Round Circuit Breaker	15	301-8453	1	Box, Control
				16	301-8446	1	Saddle, Control Mounting
				17	301-8634	1	Support, Saddle
				19	821-0009	1	Screw, Self-Locking - Hex Washer Head (1/4-20 x 3/8")

Circuit Breaker



REF NO.	PART NO.	QTY USED	PART DESCRIPTION	REF NO.	PART NO.	QTY USED	PART DESCRIPTION
1	821-0005	11	Screw, Hex Washer Head (#10-32 x 1/2")	6	301-8567	1	Panel, Circuit Breaker With 2 x 1-1/2" Opening (4 Screw Holes)
3	870-0398	6	Nut, Retaining (#10-32)		301-8568	1	With 2 x 2-1/4" Opening (4 Screw Holes)
4	812-0063	AR	Screw, Machine - Round Head (#6-32 x 1/2")		301-9218	1	With 2 x 2-1/4" Opening (6 Screw Holes)
5			Breaker, Circuit				
			Single Phase (240 Volt)				
	320-1252	1	18 Amp				
	320-1253	1	20 Amp				
	320-1324	1	24 Amp				
	320-1325	1	28 Amp				
	320-1326	1	30 Amp				
	320-1327	1	35 Amp				
			Three Phase (250 Volt)				
	320-1387	1	7.5 Amp				
	320-1388	1	12 Amp				
	320-1389	1	13.5 Amp				
	320-1251	1	15 Amp				
	320-1390	1	24 Amp				
	320-1391	1	27 Amp				

Generator Assembly



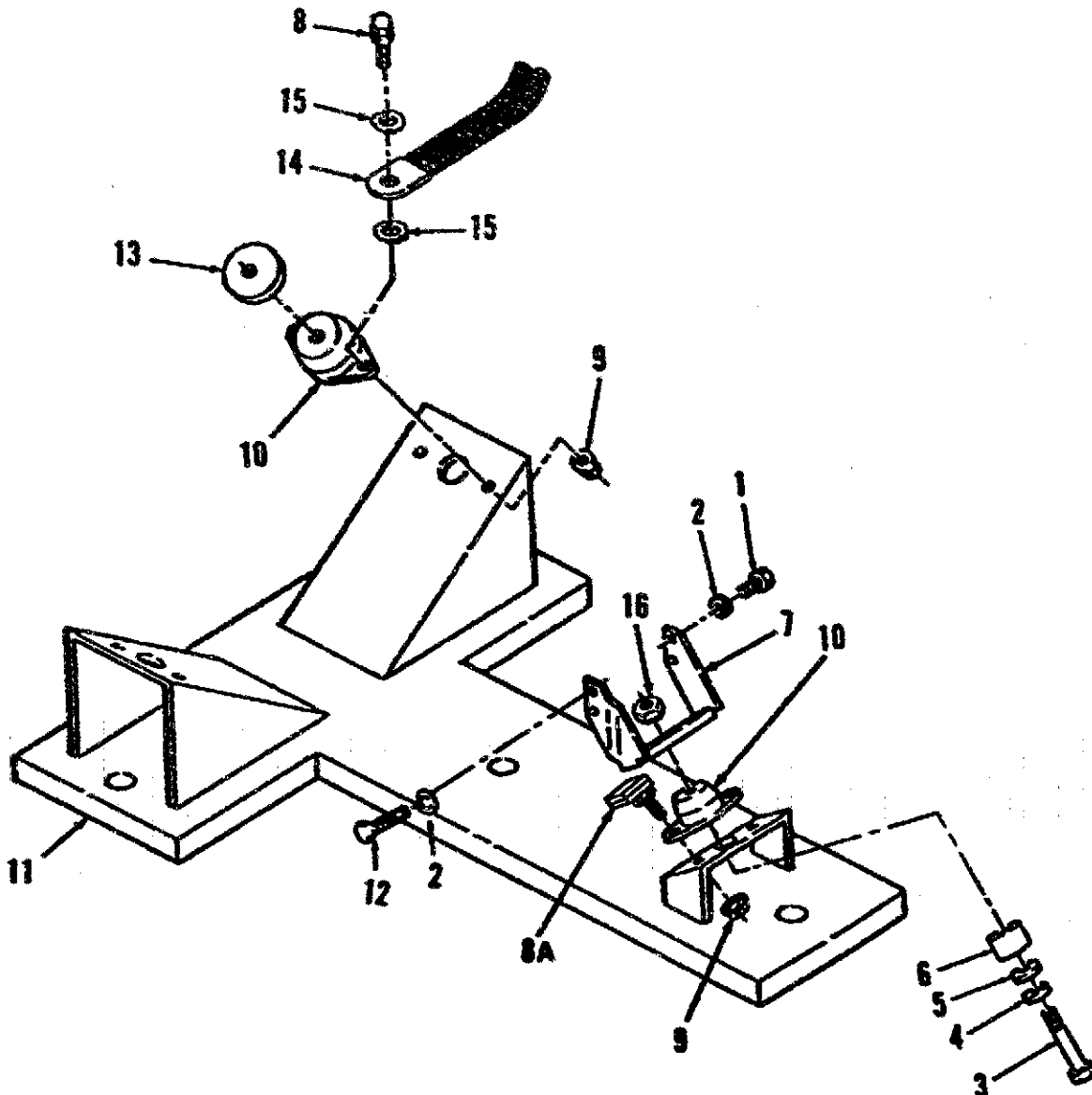
Generator Assembly

REF NO.	PART NO.	QTY USED	PART DESCRIPTION	REF NO.	PART NO.	QTY USED	PART DESCRIPTION
1	813-0100	4	Screw, Machine - Round Head (#10-32 x 1/2")	20	718-1036	6	Screw, Cap - Hex Head (M8 x 1.25 x 20mm)
2	234-0767	1	Cover, End Bell	21	850-2008	6	Washer, Lock - Spring (M8)
3	862-0011	4	Nut, Hex (3/8-16)	22	526-0115	6	Washer, Flat (11/32" ID x 11/16" OD x 1/16" THK)
4	850-0050	4	Washer, Lock - Spring (3/8")	23			Rotor Assembly, Gen (Includes Parts Marked *)
5	520-0935	4	Stud (3/8-16 UNC x 13" LG)		201-3131	1	6.0 thru 8.0 kW, Code 18 (Extended Stack)
	520-0936	4	(3/8-16 UNC x 13-3/4" LG)		201-3130	1	6.0 thru 8.0 kW, Codes 3C, 53C, 18, 518
	520-0937	4	(3/8-16 UNC x 14-5/16" LG)	24	805-0015	6	*Bolt, Hex - Slotted - Grade 8 (3/8-16 x 3/4")
6	509-0094	1	O-Ring	25	526-0029	6	*Washer, Flat (3/8")
7	813-0098	2	Screw, Machine - Round Head (#10-32 x 3/8")	26	232-2826	1	*Disk, Drive
8	856-0003	2	Washer, Lock - EIT (#10)	27	510-0112	1	*Bearing, Ball
9	232-2418	1	Terminal Board	28	870-0284	1	*Nut, Self-locking - Hex (1-1/8-12)
10	815-0194	2	Screw, Tapping - Hex Head W/ET Lockwasher (#10-32 x 3/8")	29	232-3017	1	*Spacer, Sleeve
11	232-3038	1	Bracket, Mounting - Terminal Board	30			*Rotor Assembly, Exciter (Includes Parts Marked *)
12	800-0009	2	Screw, Cap - Hex Head (1/4-20 x 1-1/2")		201-2151	1	Standard
13	853-0013	2	Washer, Lock - ET (1/4")		201-2299	1	Environmental Protected
14	220-2009	1	Stator, Exciter Standard	31	870-0131	6	+*Nut, Self-locking - Hex with ET Lockwasher (#10-32)
	220-2308	1	Environmental Protected	32	526-0008	6	+*Washer, Flat (#10)
15	211-0370	1	End Bell	33	813-0100	4	+*Screw, Machine - Round Head (#10-32 x 1/2")
16	821-0015	4	Screw, Self-locking - Hex Washer Head (1/4-20 x 3/4")	34	853-0008	4	+*Washer, Lock - ET (#10)
17	234-0766	1	Baffle, Air	35	526-0008	4	+*Washer, Flat (#10)
18	508-0183	1	Grommet (1-1/2" ID x 2-1/8" OD)	36	358-0069	1	+*Rectifier Assembly, Positive
19			Stator, Generator	37	358-0070	1	+*Rectifier Assembly, Negative
	220-3912	1	6-6.5 kW, Code 53C (Standard)	38	515-0094	1	*Key, Woodruff (#6)
	220-4073	1	6-6.5 kW, Code 53C (Environmental Protected)				
	220-3929	1	6-6.5 kW, Code 518				
	220-3904	1	7.5-8 kW, Code 3C (Standard)				
	220-4015	1	7.5-8 kW, Code 3C (Environmental Protected)				
	220-3921	1	7.5-8 kW, Code 18				
	220-3922	1	7.5-8 kW, Code 18 (Extended Stack)				

* - Parts Included in Rotor Assembly.

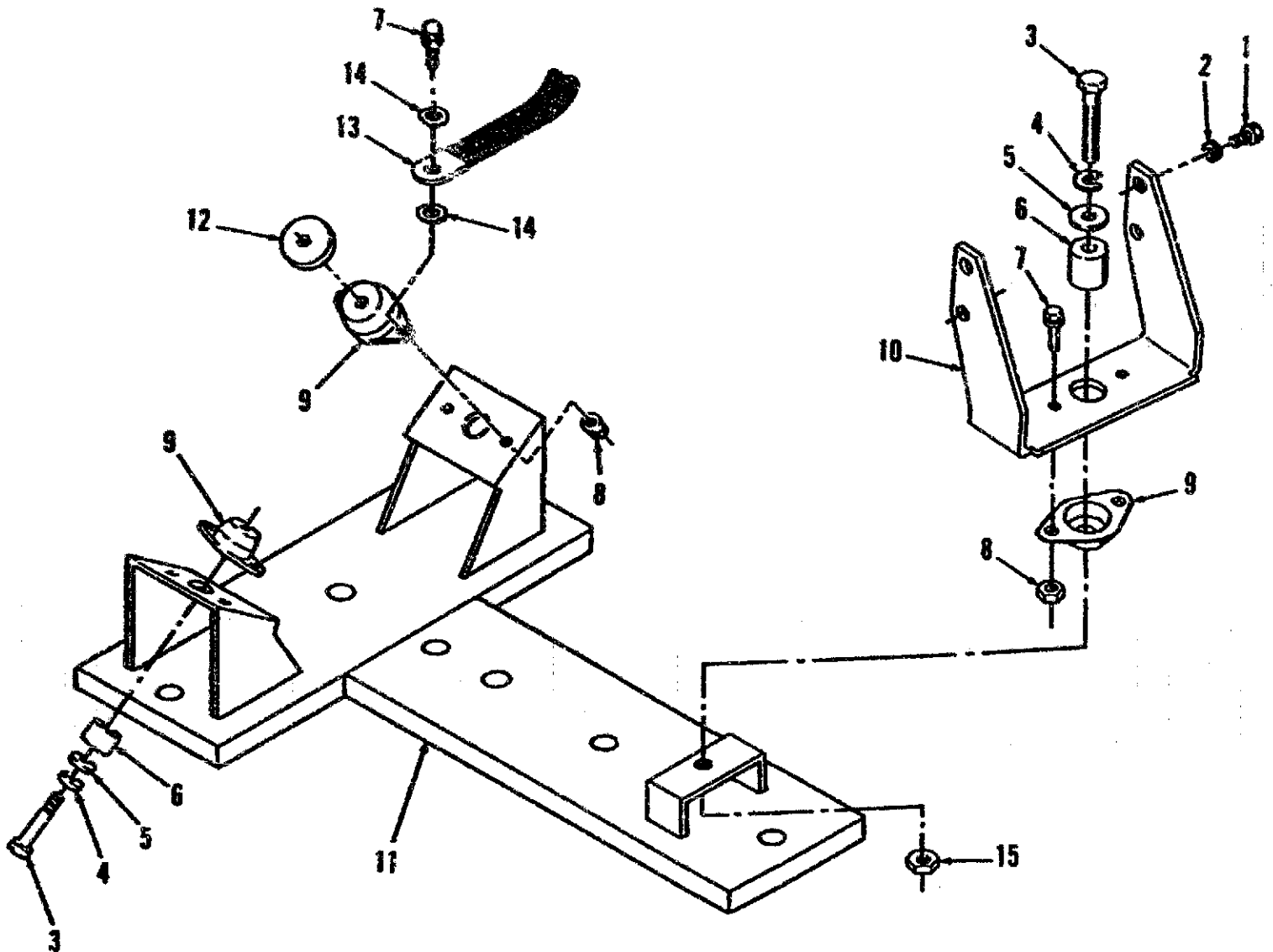
+ - Parts Included in Exciter Rotor Assembly.

Drip Pan and Mounts (Spec A and B)



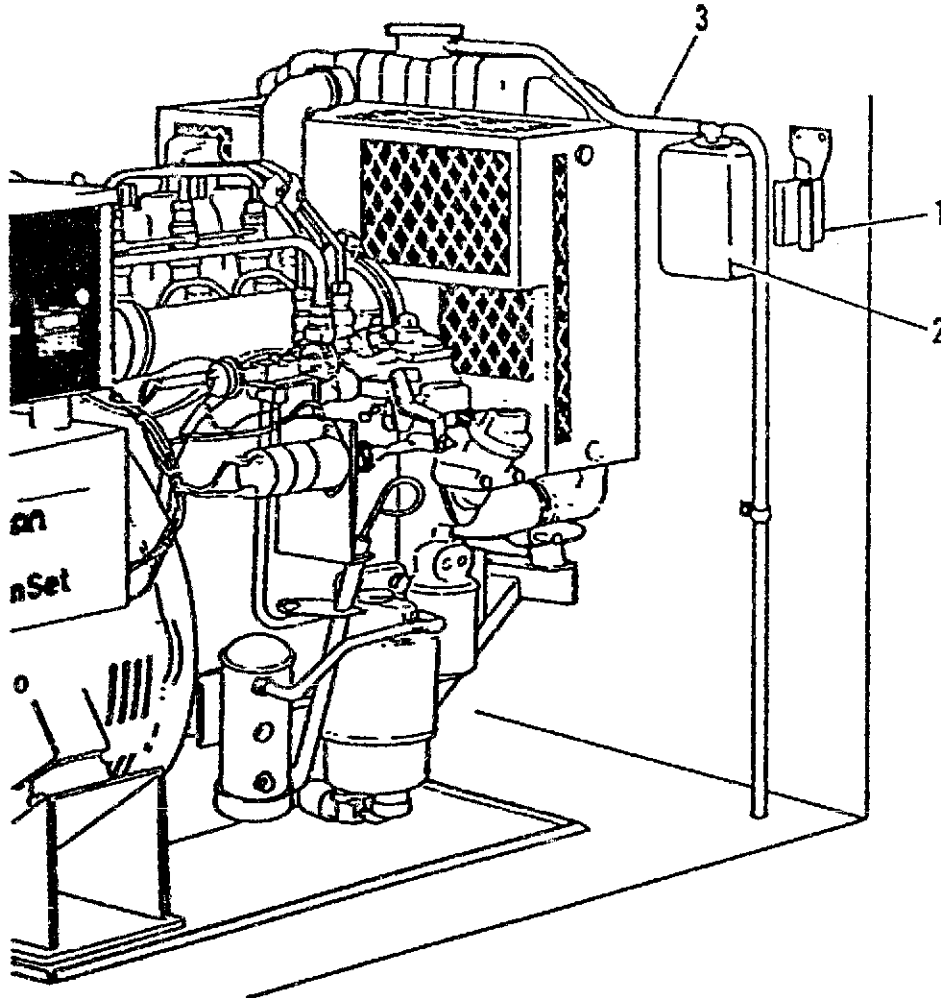
REF NO.	PART NO.	QTY USED	PART DESCRIPTION	REF NO.	PART NO.	QTY USED	PART DESCRIPTION
1	815-0585	2	Screw, Cap - Hex Head (M10 x 1.25 x 20mm)	9	870-0257	6	Nut, Self-locking - Hex Washer Head (5/16-18)
2	850-2010	4	Washer, Lock - Spring (M10)	10	402-0544	3	Mount, Vibration
3	800-0573	3	Screw, Cap - Hex Head (3/8-16 x 2-1/4")	11	403-2257	1	Frame ("T" Shape)
4	850-0050	3	Washer, Lock - Spring (3/8")	12	815-0600	2	Screw, Cap - Hex Head (M10 x 1.25 x 25mm)
5	526-0077	3	Washer, Flat (3/8")	13	526-0172	2	Washer, Flat (1/2" ID x 2-1/4" OD x 1/4" THK)
6	403-2213	3	Spacer, Sleeve	14	337-0049	1	Strap, Bonding
7	403-2194	1	Support, Engine (Used Through February 1984)	15	856-0008	2	Washer, Lock - EIT (5/16")
8	821-0016	4	Screw, Self-locking - Hex Washer Head (5/16-18 x 3/4")	16	870-0138	3	Nut, Self-Locking
8A	403-2267	2	Plate Assy, Mounting - Shock (Used From Feb. 1984 to Feb. 1988)				

Drip Pan and Mounts (Spec C)



REF NO.	PART NO.	QTY USED	PART DESCRIPTION	REF NO.	PART NO.	QTY USED	PART DESCRIPTION
1	815-0585	2	Screw, Cap - Hex Head (M10 x 1.25 x 20mm)	8	870-0257	6	Nut, Self-locking - Hex Washer Head (5/16-18)
2	850-2010	2	Washer, Lock - Spring (M10)	9	402-0544	3	Mount, Vibration
3	800-0573	3	Screw, Cap - Hex Head (3/8-16 x 2-1/4")	10	403-2711	1	Support, Engine
4	850-0050	3	Washer, Lock - Spring (3/8")	11	403-2713	1	Frame ("T" Shape)
5	526-0077	3	Washer, Flat (3/8")	12	526-0172	2	Washer, Flat (1/2" ID x 2-1/4" OD x 1/4" THK)
6	403-2213	3	Spacer, Sleeve	13	337-0049	1	Strap, Bonding
7	821-0016	6	Screw, Self-locking - Hex Washer Head (5/16-18 x 3/4")	14	856-0008	2	Washer, Lock - EIT (5/16")
				15	870-0138	1	Nut, Self Lock (3/8-16)

Coolant Tank



REF NO.	PART NO.	QTY USED	PART DESCRIPTION	REF NO.	PART NO.	QTY USED	PART DESCRIPTION
1	130-2780	1	Bracket	3		1	Hose, Overflow (Comes with Recovery Tank)
2	130-2779	1	Tank, Recovery				