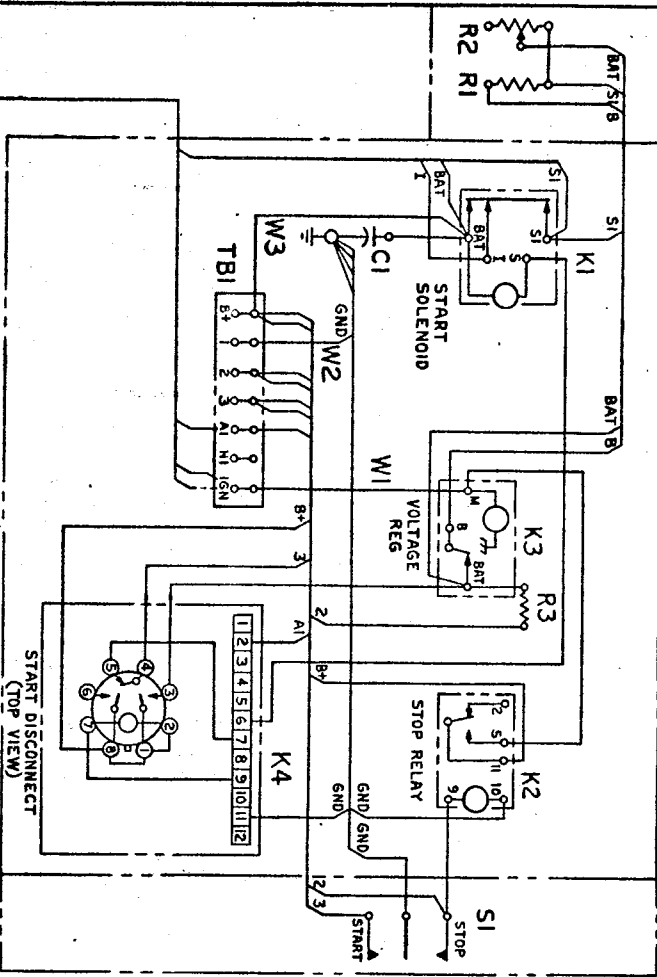
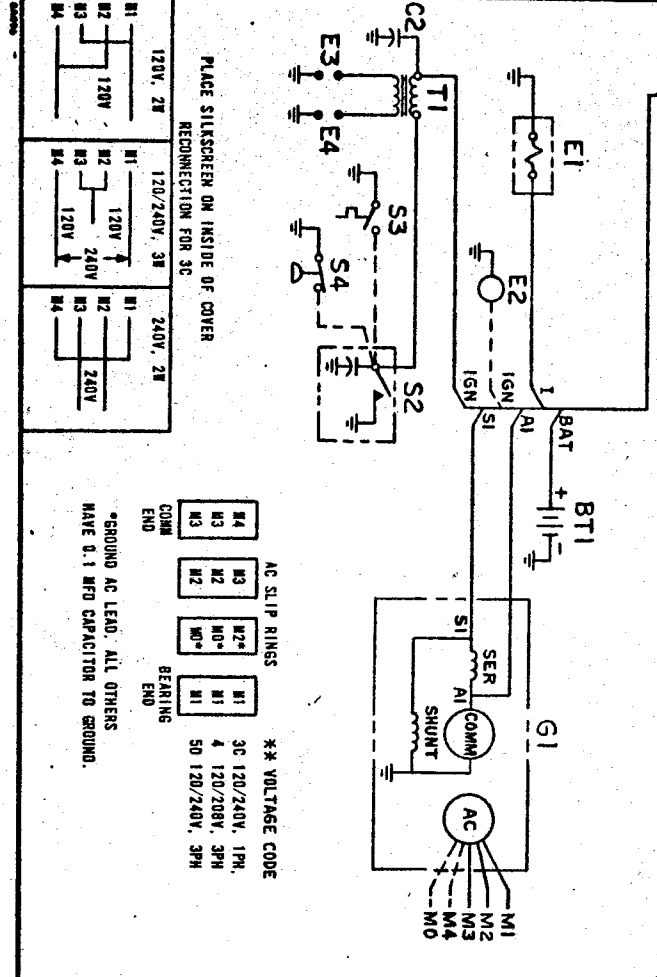
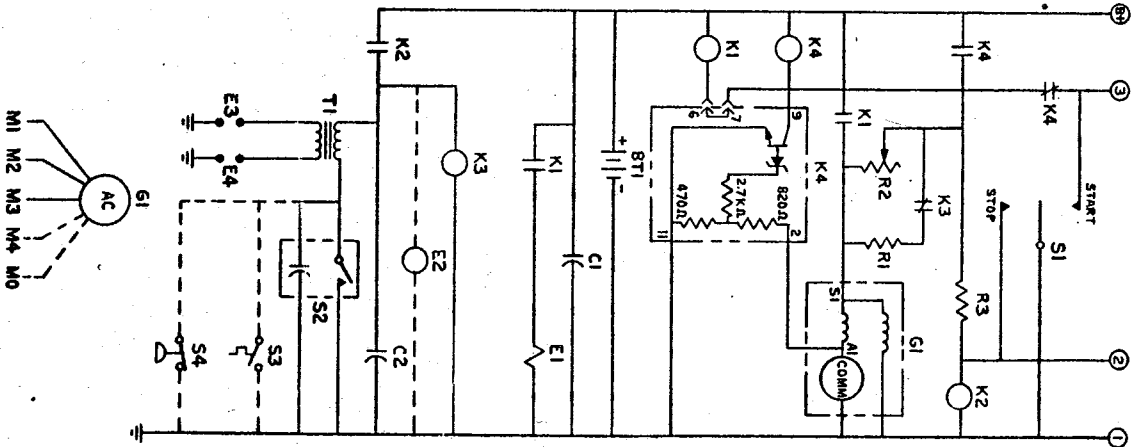


WIRING DIAGRAM
INSIDE VIEW OF BOX



SCHEMATIC



PLACE SILKSCREEN ON INSIDE OF COVER
RECONNECTION FOR 3C

- AC SLIP RINGS
- | | | | |
|----|----|-----|----|
| M4 | M3 | M2 | M1 |
| M3 | M2 | M0* | M1 |
| M3 | M2 | M0* | M1 |
- BEARINGS
- | | | | |
|----|----|-----|----|
| M4 | M3 | M2 | M1 |
| M3 | M2 | M0* | M1 |
| M3 | M2 | M0* | M1 |
- ** VOLTAGE CODE
- | | |
|----|----------------|
| 3C | 120/240V, 1PH. |
| 4 | 120/208V, 3PH. |
| 50 | 120/240V, 3PH. |
- * GROUND AC LEAD. ALL OTHERS
HAVE 0.1 MFD CAPACITOR TO GROUND.

REF. DES.	PART NO.	QTY.	DESCRIPTION
C1	312A1B5	1	CAPACITOR ASSY
C2	312A51(AEF)	1	CAPACITOR, 1.0 MFD
K1	307B845	1	RELAY-START SOLENOID
K2	307A1145	1	RELAY & LEAD ASSY
K3	305B383	1	RELAY-STOP
K4	307B1070	1	RELAY-2 STEP VOLTAGE REGULATOR
K4	3047174	1	AMPLIFIER-START DISCONNECT
	301A3327	1	SOCKET ASSY-START DISC
	301A3327	1	SPACER
	301A3305	2	SPRING
	301A3306	1	MOCK
(R1, R2)	301B3409	1	RESISTOR & BOX ASSY
R1	333A67(REF)	1	RESISTOR, 60, 100 W
R2	304A692(REF)	1	RESISTOR, 80, 100 W (NO)
R3	304A685	1	RESISTOR & LEAD ASSY
R3	304A251(REF)	1	RESISTOR, 300, 5 W
S1	308A313	1	SWITCH ASSY-START, STOP
S1	308A154(REF)	1	SWITCH-START STOP
TB1	332A1745	1	BLOCK-TERMINAL
W1	332A112	1	STRIP-MARKER
W2	336A1431	1	LEAD ASSY 8"
W3	336A2032	1	LEAD ASSY 3"
W3	336A2033	1	LEAD ASSY 8"

PARTS LIST ENG GEN (REF)		6101C119
BT1	BATTERY, 12V	
C2	CAPACITOR, 0.1 MFD	
E1	CHOKE-SLIPSON	
E2	PUMP-FUEL	
E3, 4	SPARK PLUGS	
G1	GENERATOR	
S2	BREAKER & CAP ASSY	
S3	SWITCH-AIR AIR TEMP	
S4	SWITCH-OIL OIL PRESS	
T1	COIL-IGNITION	

*WHEN USED

611C1079

12V REMOTE

6.5-NH-***R/6000C

3-12-71 CDR JWD

CONTROL - GEN SET
(WIRING DIAGRAM)

611C1079