

DETROIT DIESEL



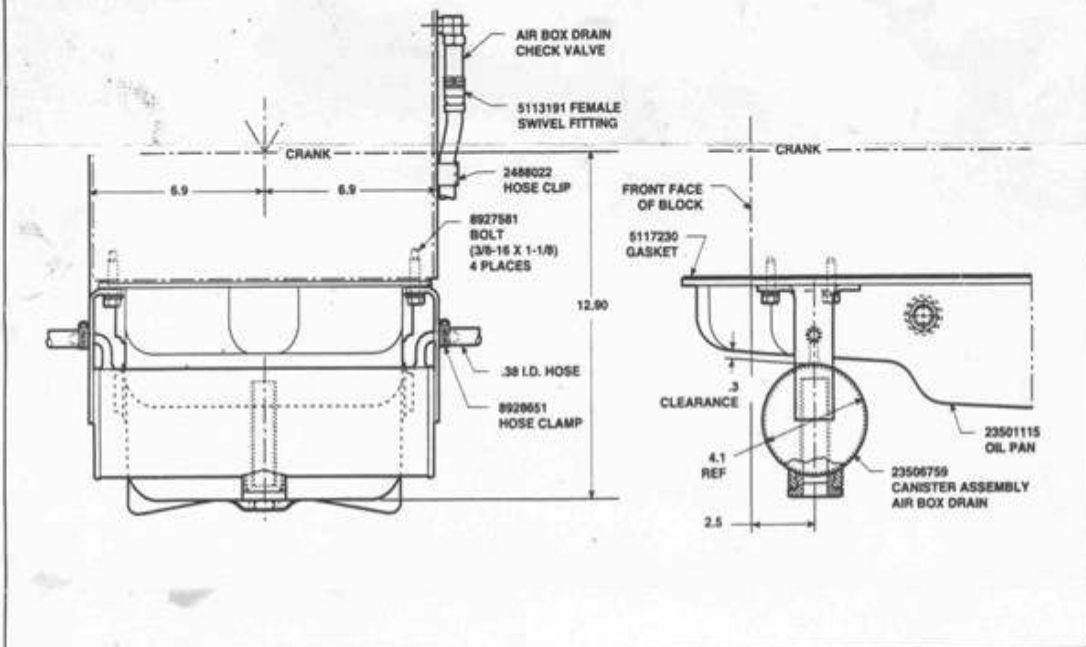
Installation Instructions

18SP284—Install Air Box Drain Canister Kit 23507154

NOTE: Dimensions shown are in inches. For metric equivalents, multiply number of inches by 25.4 mm.

INSTRUCTIONS:

1. Mount air box drain canister assembly (23506759) to oil pan.
2. Remove existing air box drain hose or tube from check valve.
3. Push fitting (5113191) on hose.
4. Attach hose with fitting to check valve.
5. Cut hose to desired length.
6. Attach opposite end of hose to inlet tube on canister assembly with clamp (8928651). Hose should not dip down, allowing sediment to be trapped before reaching canister.
7. Secure hose to cylinder block with clip (2488022) and 3/8" bolt.
8. Repeat steps 2 through 7 for the second air box drain, using the remaining length of hose.



DETROIT DIESEL
CORPORATION



*13400 Outer Drive, West / Detroit, Michigan 48239-4001
Telephone: 313-592-5000
<http://www.detroitdiesel.com>

Detroit Diesel and the spinning arrows design® are registered trademarks of Detroit Diesel Corporation
18SP284 9704 As technical advancements continue, specifications will change. Printed in U.S.A.

