



Spare Parts Catalog

5 HP-500

Material number: 4139.003.362



Pos.	Information	Amendment number
001	Use case -----	
002	Customer ZF GROUP NAO TECHNICAL CENTER	
003	City Northville	
004	DUNS	
005	Product description -----	
006	SAUBERKEIT SKALENZahl 1 20	
007	CLEANNESs SCALE NUMBER 2 14	
008	CLEANNESs SPECIFICATION ZFN 5015	
010	TRANSMISSION ATTACHMENT FLANGE-MOUNTED	
016	RATIO, BOTTOM GEAR 3,43	
017	RATIO, TOP GEAR ,83	
018	RATIO, 1ST GEAR 3,43	
019	RATIO, 2ND GEAR 2,01	
020	RATIO, 3RD GEAR 1,42	
021	RATIO, 4TH GEAR 1	
022	RATIO, 1ST GEAR REVERSE 4,84	
023	RATIO, 5TH GEAR ,83	
026	HAUPTDRUCK WK GEOEFFNET 18 bar	
027	HAUPTDRUCK WK GESCHLOSSEN 10 bar	
032	DESIGN, OUTPUT COAXIAL	
038	ZAEHNEZahl ZAEHLSCHeIBE ABTR 30	
039	UEBERSETZUNG N ABTR/N IMPULS 1	
048	DESIGN, OUTPUT FLANGE HA YOKE1710	
052	AUSFUEHRUNG DRUCKMODULATION ELECTRICAL	
058	AUSF RETARDERANSTEUERUNG SOLENOID VALVE FLANGE MOUNTED	
063	BREMSMOMENT MAX 1100 Nm	
064	ABTR.DREHZahl BEI MAX BREMSMOM 2400 1/min	
065	ATTACHM. POS., HEAT EXCHANGER AT REAR	
068	DESIGN, OIL SUMP DEEP	
070	CONNECTION DRAIN OEL SUMP LEFT+RIGHT PREPARED	



Pos.	Information	Amendment number
071	HOEHE OELEINFUELLROHR 192 mm	
072	CODIERUNG OELEINFUELLROHR K01	
076	DESIGN CONVERTER W360	
078	WANDLERKENNUNG TPC 210 Nm	
079	DREHZAHL WANDLERPUM.BEI M MAX 1000 1/min	
080	CONVERTER CHARACTERISTIC \hat{A}_μ 2,43	
083	EINSTELLMASS MOTORANSCHLUSS 430 mm	
085	OPERATING VOLTAGE 12 V	
086	ANZAHL POLE BETRIEBSSPANNUNG 1	
123	OIL CAPACITY, GEARBOX 20 dm ³	
126	OIL GRADE PERMISSIBLE ACC. TO TE-ML14	
127	COLOR NOT	
130	CODING OUTER CONSERVATION KA2	
131	SCOPE OUTER CONSERVATION T	
132	CODING INNER CONSERVATION KI1	
133	CONSERVATION SPECIFICATION ZFN 916	
134	Documents -----	
135	ANSCHLUSSTEILE Drawing 4139.000.101	
136	GETRIEBE Drawing 4139.003.307	
137	ABTRIEB Drawing 4139.103.023	
138	SCHALTSTEUERUNG Drawing 4139.106.218	
139	Drawing 4139.110.019	
140	WAERMETAUSCHER Drawing 4139.147.135	
141	AUTOMATGETRIEBE Drawing 4139.601.106	
142	Technisches Deckblatt (archiviert) zu 4139.003.362 Text-document 000000118324	
143	Pruef- und Montagehinweise (archiviert) zu 4139.003.362 Text-document 000000118325	



Graphics	Pos.	Material number	Name	VKF	Amend. no.	Amend. start	Prod. no.	Material feature / tech. info.	ID
004.01.09-1	110	4139.101.509	GEARBOX HOUSING	1	7903A	01.06.1999		STA*NA-OHNE*SCHILD A+12V	3
004.04.04-1	210	4139.110.416	COVER PLATE	1	7414A	01.07.1999		NA-OHNE*RETARDER	3
004.04.04-1	214	4139.110.800	OIL SUPPLY	1		00.00.0000		HP500*NA-OHNE	3
004.04.04-1	900	4139.110.112	OIL SUPPLY	1		00.00.0000		HP500*NA-OHNE*RETARDER *DRUCKABSENKUNG	3
004.07.01-1	220	4139.120.011	RETARDER	1	6701A	01.05.1999		GD	3
004.07.01-1	230	4139.120.415	RETARDER VALVE	1		00.00.0000		550-1100N.M*ANGEFL	3
004.07.01-1	232	4139.120.410	SOLENOID VALVE	1		00.00.0000		12V*ANSCHL.1/4ZOLL	3
004.07.01-1	910	4149.120.003	RETARDER	1	9851B	01.10.2001		LECKAGEOPTIMIERT	3
004.10.02-1	900	4139.133.214	GEARBOX	1		00.00.0000		5HP500*3,43-0,83	3
004.13.01-1	910	4149.170.008	COUPLING	1	8190B	01.08.2001		6HP502 A12*B 8*C 6*TWD=31,3	3
004.14.01-1	920	4139.171.007	BRAKE	1	3568B	01.10.2000		HP500 D 6 *NEUE LAMELLEN	3
004.15.01-1	930	4139.172.001	BRAKE	1		00.00.0000		HP500 E12	3
004.16.01-1	940	4139.173.001	BRAKE	1		00.00.0000		HP500KU F14	3
004.20.15-1	300	4139.103.138	OUTPUT	1		00.00.0000		HP500* *3,43*O.TACHO *YOKE1710	3
004.20.15-1	310	4139.103.878	OUTPUT	1		00.00.0000		HP500KU*WT HINTEN*ALU *SPEICHER	3
004.48.01-1	400	4139.106.114	SHIFT CONTROL	1		00.00.0000		HP500KU*12V*1P*0,9*1,1-4,6	3
004.48.01-1	410	4139.106.810	SHIFT CONTROL	1		00.00.0000		GD*O.SEKUNDAERPUMPE	3
004.56.02-1	450	4139.131.045	DIPSTICK PARTS	1		00.00.0000		K01*FLACH*0-4GRAD L*ENTL	3
004.56.02-1	460	4139.131.139	OIL SUMP	1		00.00.0000		TIEF *ANSCHL.L+R VORB *M-VERSCHL.SCHR.	3
004.56.02-1	462	4139.131.113	CLOSING COMPONENTS	1		00.00.0000		SEITL*LI*STOPFEN	3
004.56.02-1	464	4139.131.153	CLOSING COMPONENTS	1		00.00.0000		SEITL*RE*STOPFEN	3
004.56.02-1	470	4139.131.101	FILTER	1		00.00.0000			3
004.56.02-1	478	4139.131.815	PLATE	1		00.00.0000			3
004.59.01-1	480	4139.134.166	CONVERTER	1		00.00.0000		360-10/1(1).1.3. *TF4,00	3
004.59.01-1	488	4139.134.803	CONVERTER	1		00.00.0000		360*A= 71,25	3
004.90.12-1	550	4139.147.295	HEAT EXCHANGER	1		00.00.0000		KU*HINTEN*SPEICHER*12V *ALU*D=50*1/4ZOLL*WA=SEITL.	3

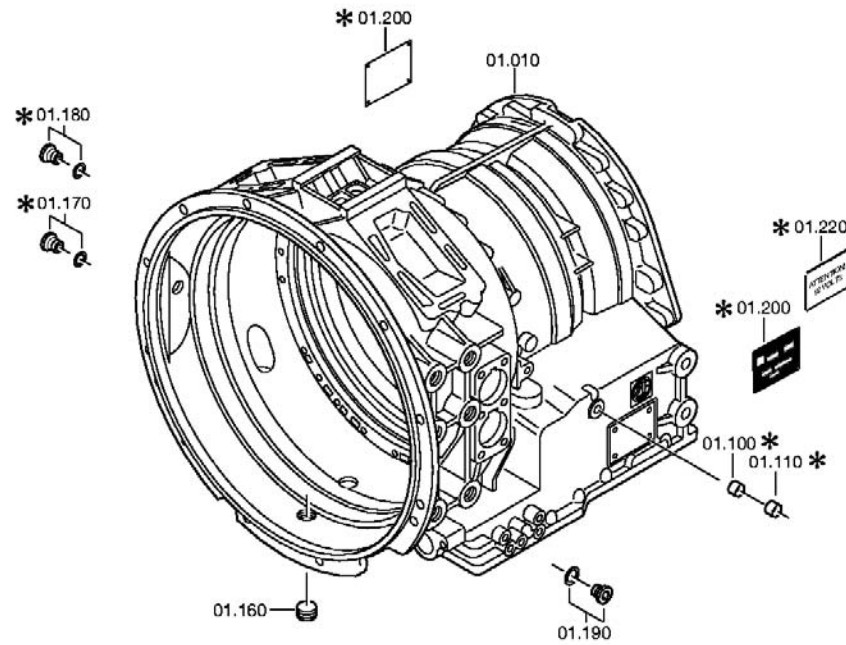
VKF Incidence factor

ID Identification (output code)



Bildtafel:
Figure: 004.01.09
Figure:
Figura:

je nach Stücklistenausführung
depending on spec. number
* suivant la nomenclature
secondo la distinta base





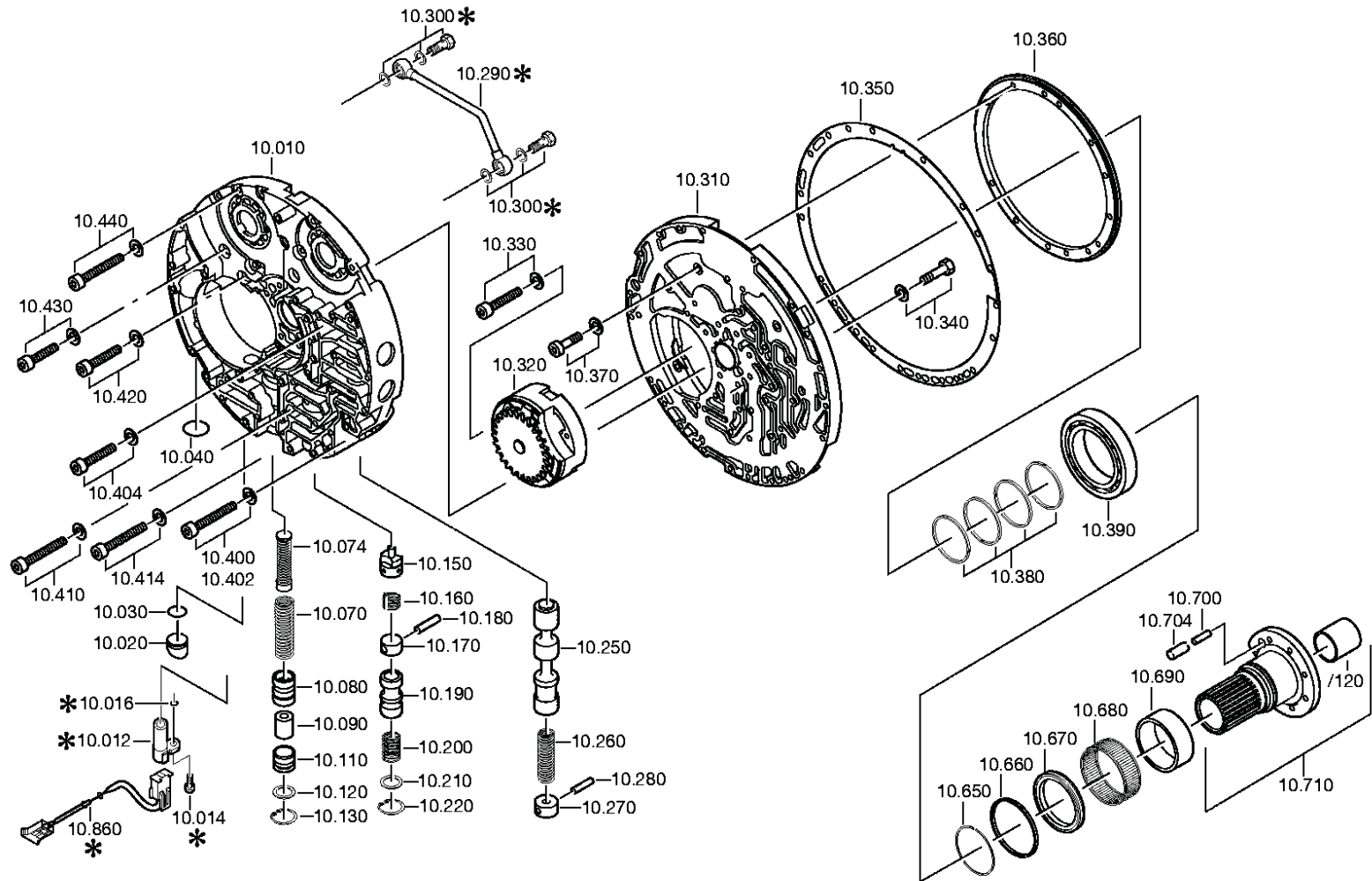
Pos.	Material number	Name	VKF	Amend. no.	Amend. start	Prod. no.	Material feature / tech. info.	OTK	External material no.	ID	Weight	SP
10	4149.201.002	GEARBOX HOUSING	1		00.00.0000					3	36	
160	---	SCREW PLUG	1		00.00.0000		M30X1,5 * 60N.M*O. DICHTRG.			3	0,000	
---	0636.301.054	SCREW PLUG	1		00.00.0000		M30X1,5			5	0,000	
190	---	SCREW PLUG	5	2939C	15.05.2002	15.05.2002	M10X1 * 12N.M* DICHTRING			3	0,000	
---	0636.302.053	SCREW PLUG	5		00.00.0000		M10X1			5	0,000	
---	0634.801.015	SEALING RING	5		00.00.0000		10X14			5	0,001	
200	---	TYPE PLATE	1		00.00.0000		WTB			3	0,000	
---	0730.365.241	TYPE PLATE	1		00.00.0000		EINHEITSSCH. VERDREHSICHER			5	0,000	
---	0730.365.217	TYPE PLATE	1	7174B	06.03.2001	06.03.2001	ZF DRIVETECH JAPAN			5	0,000	
---	0730.365.242	TYPE PLATE	1	2605D	15.11.2003	15.11.2003	ZF DO BRASIL LTDA.			5	0,000	
220	0501.310.904	PLATE	1		00.00.0000					5	0,002	

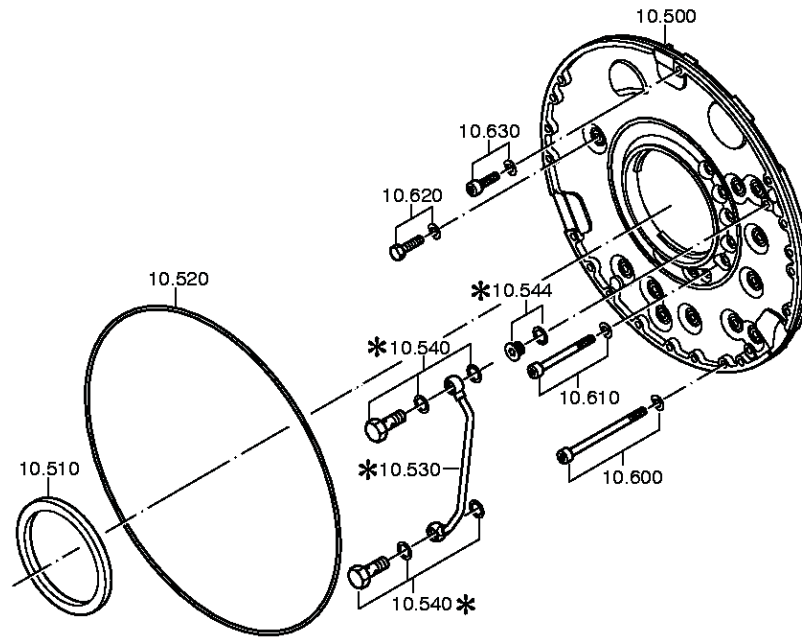
VKF Incidence factor

OTK Optional technical kit

ID Identification (output code)

SP Supplier plant







Pos.	Material number	Name	VKF	Amend. no.	Amend. start	Prod. no.	Material feature / tech. info.	OTK	External material no.	ID	Weight	SP
10	4139.210.126	CONTROL INSERT	1		00.00.0000		KPL.			3	8,050	
20	4139.310.140	SPACER	1		00.00.0000					5	0,027	
30	0634.313.667	O-RING	1		00.00.0000		21X3,5			5	0,000	
40	0634.313.350	O-RING	1		00.00.0000		34X2,5			5	0,000	
70	0732.042.114	COMPRSPRING	1		00.00.0000					5	0,036	
74	4139.210.081	VALVE PARTS	1		00.00.0000		KPL.HAUPTDRUCKVENTIL			3	0,070	
80	4139.310.405	PISTON	1		00.00.0000					5	0,045	
90	4139.310.406	PISTON	1		00.00.0000					5	0,010	
110	4139.310.415	BUSH	1		00.00.0000					5	0,028	
120	0730.004.383	WASHER	1		00.00.0000		A=1,50			5	0,003	
130	0630.502.015	RETAINING RING	1		00.00.0000		30X1,2			5	0,002	
150	4139.310.041	PISTON	1		00.00.0000		SCHMIERDRUCKVENTIL			5	0,025	
160	0732.041.125	COMPRSPRING	1		00.00.0000					5	0,010	
170	4139.310.018	SPACER RING	1		00.00.0000		ENTHALT.IN 4139 310 462(2)			5	0,062	
180	0631.306.117	CYLINDRICAL PIN	1		00.00.0000		8X50			5	0,000	
190	4139.310.072	PISTON	1		00.00.0000		WANDLERGEGENDRUCKVENTIL			5	0,060	
200	0732.041.654	COMPRSPRING	1		00.00.0000					5	0,023	
210	0630.007.001	WASHER	1		00.00.0000					5	0,000	
220	0630.502.014	RETAINING RING	1		00.00.0000		28X1,2			5	0,002	
250	4149.310.025	PISTON	1	3051B	01.09.2000	01.09.2000				5	0,195	
260	0732.042.236	COMPRSPRING	1	3051B	01.09.2000	01.09.2000				5	0,022	
270	4139.310.017	SPACER RING	1		00.00.0000					5	0,077	
280	0631.306.117	CYLINDRICAL PIN	1		00.00.0000		8X50			5	0,000	
310	4149.210.016	OIL FEEDFLANGE	1	4168C	31.07.2002	31.07.2002	KPL.STAHLBUCHSE+SI-RING			3	5	
320	4139.210.074	PRIMARY PUMP	1		00.00.0000		KPL.			3	5,500	
330	---	CAP SCREW	1		00.00.0000		M8X40 ISO4762/8.8 A4C			3	0,000	
---	0636.101.694	CAP SCREW	1		00.00.0000		M8X40			5	0,020	
---	0630.003.006	WASHER	1		00.00.0000					5	0,001	
340	---	HEXAGON BOLT	7	7199A	01.08.2000	01.08.2000	M8X45 ISO4014/8.8 A3C			3	0,000	
---	0636.010.471	HEXAGON BOLT	7		00.00.0000		M8X45			5	0,020	
---	0630.003.006	WASHER	7		00.00.0000					5	0,001	
350	4182.310.004	INTERMEDIATE SHEET	1	4819E	24.02.2006	24.02.2006				5	0,000	
360	4182.320.001	THRUST RING	1	4830E	16.02.2006	16.02.2006				5	0,000	

VKF Incidence factor

OTK Optional technical kit

ID Identification (output code)

SP Supplier plant



Pos.	Material number	Name	VKF	Amend. no.	Amend. start	Prod. no.	Material feature / tech. info.	OTK	External material no.	ID	Weight	SP
370	---	CAP SCREW	3	6583A	01.10.1999	01.10.1999	M8X12 DIN6912/8.8 A3C			3	0,000	
---	0636.102.207	CAP SCREW	3		00.00.0000		M8X12			5	0,000	
---	0630.003.006	WASHER	3		00.00.0000					5	0,001	
380	0734.401.251	PISTON RING	4	4168C	31.07.2002	31.07.2002	65,1X70,0X3,5			5	0,013	
390	0750.116.265	BALL BEARING	1		00.00.0000		WTB 80,0X125,0X22,0			3	0,859	
400	---	CAP SCREW	3		00.00.0000		M8X55 ISO4762/8.8 A3C			3	0,000	
---	0636.101.602	CAP SCREW	3		00.00.0000		M8X55			5	0,000	
---	0630.003.006	WASHER	3		00.00.0000					5	0,001	
402	---	CAP SCREW	1		00.00.0000		M8X50 ISO4762/8.8 A3C			3	0,000	
---	0636.101.663	CAP SCREW	1		00.00.0000		M8X50			5	0,025	
---	0630.003.006	WASHER	1		00.00.0000					5	0,001	
404	---	CAP SCREW	1		00.00.0000		M8X55 ISO4762/8.8 A3C			3	0,000	
---	0636.101.602	CAP SCREW	1		00.00.0000		M8X55			5	0,000	
---	0630.003.006	WASHER	1		00.00.0000					5	0,001	
410	---	CAP SCREW	3		00.00.0000		M8X70 ISO4762/8.8 A3C			3	0,000	
---	0636.101.720	CAP SCREW	3		00.00.0000		M8X70			5	0,000	
---	0630.003.006	WASHER	3		00.00.0000					5	0,001	
414	---	CAP SCREW	1		00.00.0000		M8X70 ISO4762/8.8 A3C			3	0,000	
---	0636.101.720	CAP SCREW	1		00.00.0000		M8X70			5	0,000	
---	0630.003.006	WASHER	1		00.00.0000					5	0,001	
420	---	CAP SCREW	3		00.00.0000		M8X40 ISO4762/8.8 A4C			3	0,000	
---	0636.101.694	CAP SCREW	3		00.00.0000		M8X40			5	0,020	
---	0630.003.006	WASHER	3		00.00.0000					5	0,001	
430	---	CAP SCREW	3		00.00.0000		M8X45 ISO4762/8.8 A3C			3	0,000	
---	0636.101.685	CAP SCREW	3		00.00.0000		M8X45			5	0,000	
---	0630.003.006	WASHER	3		00.00.0000					5	0,001	
440	---	CAP SCREW	5		00.00.0000		M8X65 ISO4762/8.8 A3C			3	0,000	
---	0636.101.709	CAP SCREW	5		00.00.0000		M8X65			5	0,000	
---	0630.003.006	WASHER	5		00.00.0000					5	0,001	
500	4139.310.434	COVER PLATE	1		00.00.0000		G1+G2.1			5	3,150	
510	---	SHAFT SEAL	1		00.00.0000		125X150X10			3	0,000	
---	0750.111.044	SHAFT SEAL	1	7956D	11.10.2004	11.10.2004	WTB 125X150X10			3	0,084	
520	0634.313.146	O-RING	1		00.00.0000		425X3,5			5	0,000	
530	4149.210.005	PIPE	1		00.00.0000		KPL.			3	0,046	

VKF Incidence factor

OTK Optional technical kit

ID Identification (output code)

SP Supplier plant



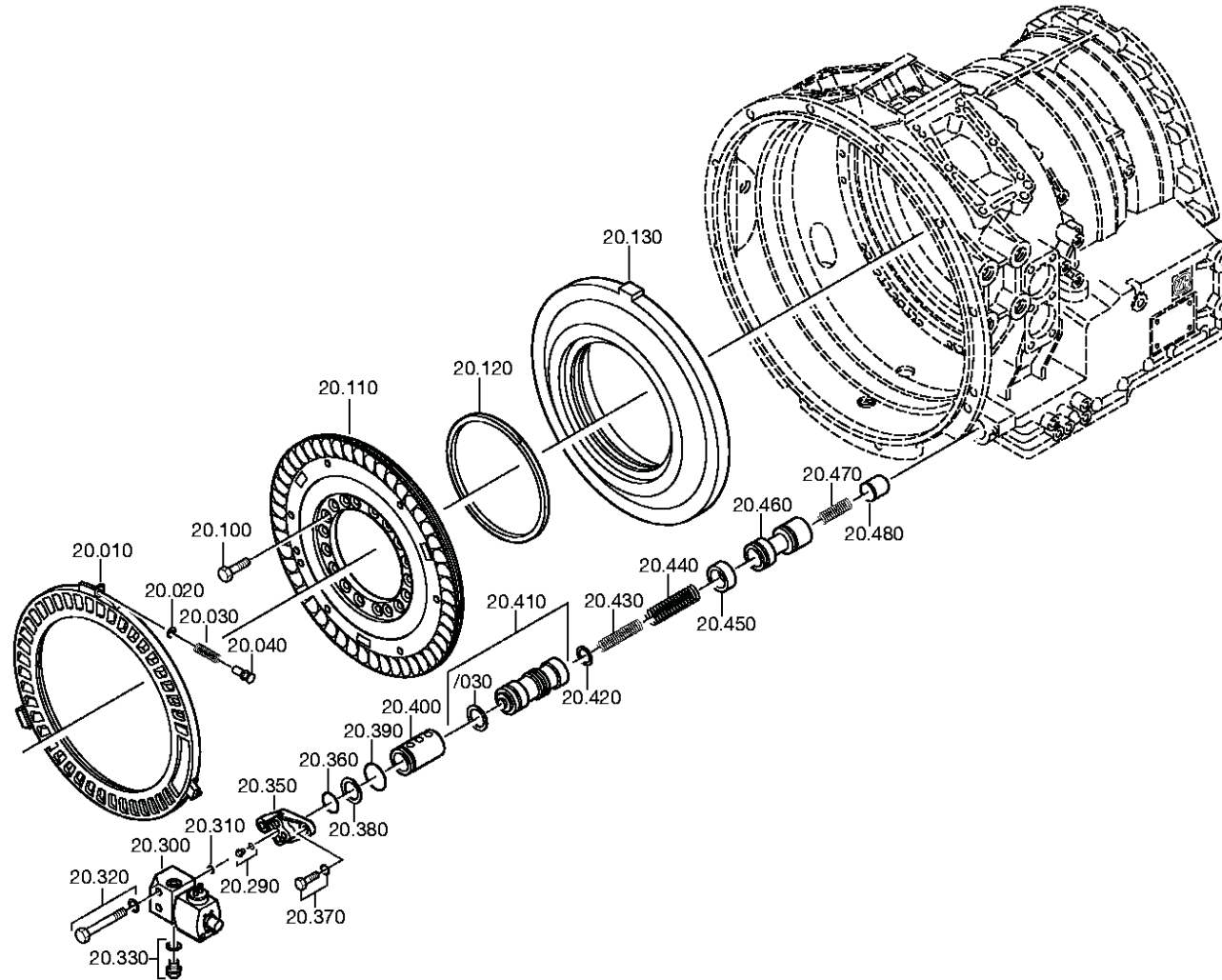
Pos.	Material number	Name	VKF	Amend. no.	Amend. start	Prod. no.	Material feature / tech. info.	OTK	External material no.	ID	Weight	SP
540	---	UNION SCREW	2	2938C	15.05.2002	15.05.2002	6S DIN7643			3	0,000	
---	0637.835.021	UNION SCREW	2	3324F	03.04.2007	03.04.2007				5	0,000	
---	0634.801.015	SEALING RING	2		00.00.0000		10X14			5	0,001	
600	---	CAP SCREW	14	3913F	15.01.2008	15.01.2008	M8X130 ISO4762/10.9 A3C			3	0,000	
---	0636.115.159	CAP SCREW	14		00.00.0000		M8X130			5	0,000	
---	0634.803.003	SEALING RING	14		00.00.0000		8X15X1			5	0,000	
610	---	HEXAGON BOLT	8		00.00.0000		M8X85 ISO4014/8.8 A3C			3	0,000	
---	0636.010.585	HEXAGON BOLT	8		00.00.0000		M8X85			5	0,036	
---	0634.803.003	SEALING RING	8		00.00.0000		8X15X1			5	0,000	
620	---	HEXAGON BOLT	11		00.00.0000		M8X20 ISO4017/8.8 A3C			3	0,000	
---	0636.015.299	HEXAGON BOLT	11		00.00.0000		M8X20			5	0,012	
---	0634.803.003	SEALING RING	11		00.00.0000		8X15X1			5	0,000	
630	---	CAP SCREW	1		00.00.0000		M8X35 ISO4762/8.8 A3C			3	0,000	
---	0636.101.356	CAP SCREW	1		00.00.0000		M8X35			5	0,017	
---	0634.803.003	SEALING RING	1		00.00.0000		8X15X1			5	0,000	
650	0630.513.133	SNAP RING	1		00.00.0000					5	0,000	
660	0734.401.080	PISTON RING	1		00.00.0000					5	0,022	
670	4128.303.012	PISTON SUPPORT	1		00.00.0000					5	0,110	
680	0750.115.517	NEEDLE CAGE	1		00.00.0000		WTB 80,0X88,0X30,0			3	0,200	
690	0635.295.034	INTERNAL RING	1		00.00.0000		70X80X30			5	0,000	
700	0631.329.320	SLOTPIN	1	6374B	01.02.2001	01.02.2001	16X35			5	0,000	
704	0631.329.319	SLOTPIN	1	6373B	01.01.2001	01.01.2001	10X35			5	0,000	
710	4139.210.076	STATOR SHAFT	1	3961B	01.09.2000	01.09.2000	KPL.			3	2,033	
7120	4139.210.082	BUSH	1		00.00.0000		KPL.			3	0,169	

VKF Incidence factor

OTK Optional technical kit

ID Identification (output code)

SP Supplier plant





Pos.	Material number	Name	VKF	Amend. no.	Amend. start	Prod. no.	Material feature / tech. info.	OTK	External material no.	ID	Weight	SP
10	4139.320.085	STATOR RING	1		00.00.0000					5	0,000	
20	4139.320.009	SPRING SEAT	3		00.00.0000					5	0,000	
30	0732.041.934	COMPRSPRING	3		00.00.0000					5	0,009	
40	4149.220.001	ABSORBER	3	9247C	24.03.2003	24.03.2003	KPL.			3	0,100	
100	0636.010.300	HEXAGON BOLT	18		00.00.0000		M8X40			5	0,020	
110	4139.320.084	ROTOR	1	8980B	01.10.2001	01.10.2001				5	6,535	
120	0734.401.277	PISTON RING	1		00.00.0000		197,6X210,0X7,0			5	0,203	
130	4149.320.033	SEALING WASHER	1	5307F	03.06.2008	03.06.2008				5	0,000	
300	0501.003.407	SOLENOID VALVE	1		00.00.0000		12V			5	0,575	
310	0634.316.159	O-RING	1		00.00.0000		7X2			5	0,000	
320	---	HEXAGON BOLT	2		00.00.0000		M8X55 ISO4014/8.8 A3C			3	0,000	
---	0636.010.374	HEXAGON BOLT	2		00.00.0000		M8X55			5	0,025	
---	0630.001.075	WASHER	2		00.00.0000					5	0,002	
330	0636.309.009	SCREW PLUG	1		00.00.0000					5	0,000	
350	4139.301.557	COVER	1		00.00.0000		ENTHALT.IN 4139 301 562(1)			5	0,090	
360	0634.313.409	O-RING	1		00.00.0000		21X2			5	0,000	
370	---	HEXAGON BOLT	2		00.00.0000		M8X25 ISO4017/8.8 A3C			3	0,015	
---	0636.015.257	HEXAGON BOLT	2		00.00.0000		M8X25			5	0,014	
---	0630.001.075	WASHER	2		00.00.0000					5	0,002	
380	---	SHIM	1		00.00.0000		WTB 0730 004 674(2)-A= 0,30-1,00(ABSTUFUNG:0,14MM)			3	0,000	
---	0730.002.564	SHIM	1		00.00.0000		A=1,00 IN 0730 004 674(2)			5	0,000	
---	0730.002.565	SHIM	1		00.00.0000		A=0,80 IN 0730 004 674(2)			5	0,001	
---	0730.002.566	SHIM	1		00.00.0000		A=0,60 IN 0730 004 674(2)			5	0,000	
---	0730.004.672	SHIM	1		00.00.0000		A=0,50 IN 0730 004 674(2)			5	0,000	
---	0730.002.567	SHIM	1		00.00.0000		A=0,40 IN 0730 004 674(2)			5	0,000	
---	0730.004.673	SHIM	1		00.00.0000		A=0,30 IN 0730 004 674(2)			5	0,000	
390	0634.313.097	O-RING	1		00.00.0000		28X2			5	0,006	
400	4139.301.559	BUSH	1		00.00.0000					5	0,174	
410	4139.220.014	PISTON	1		00.00.0000		KPL.			3	0,044	
/30	0501.308.748	GASKET	1		00.00.0000					5	0,001	
420	---	SHIM RING	1		00.00.0000		WTB -A= 0,10- 1,50(ABSTUFUNG:0,23MM)			3	0,000	
---	0630.004.015	SHIM RING	1		00.00.0000		10X16X1,5			5	0,000	

VKF Incidence factor

OTK Optional technical kit

ID Identification (output code)

SP Supplier plant



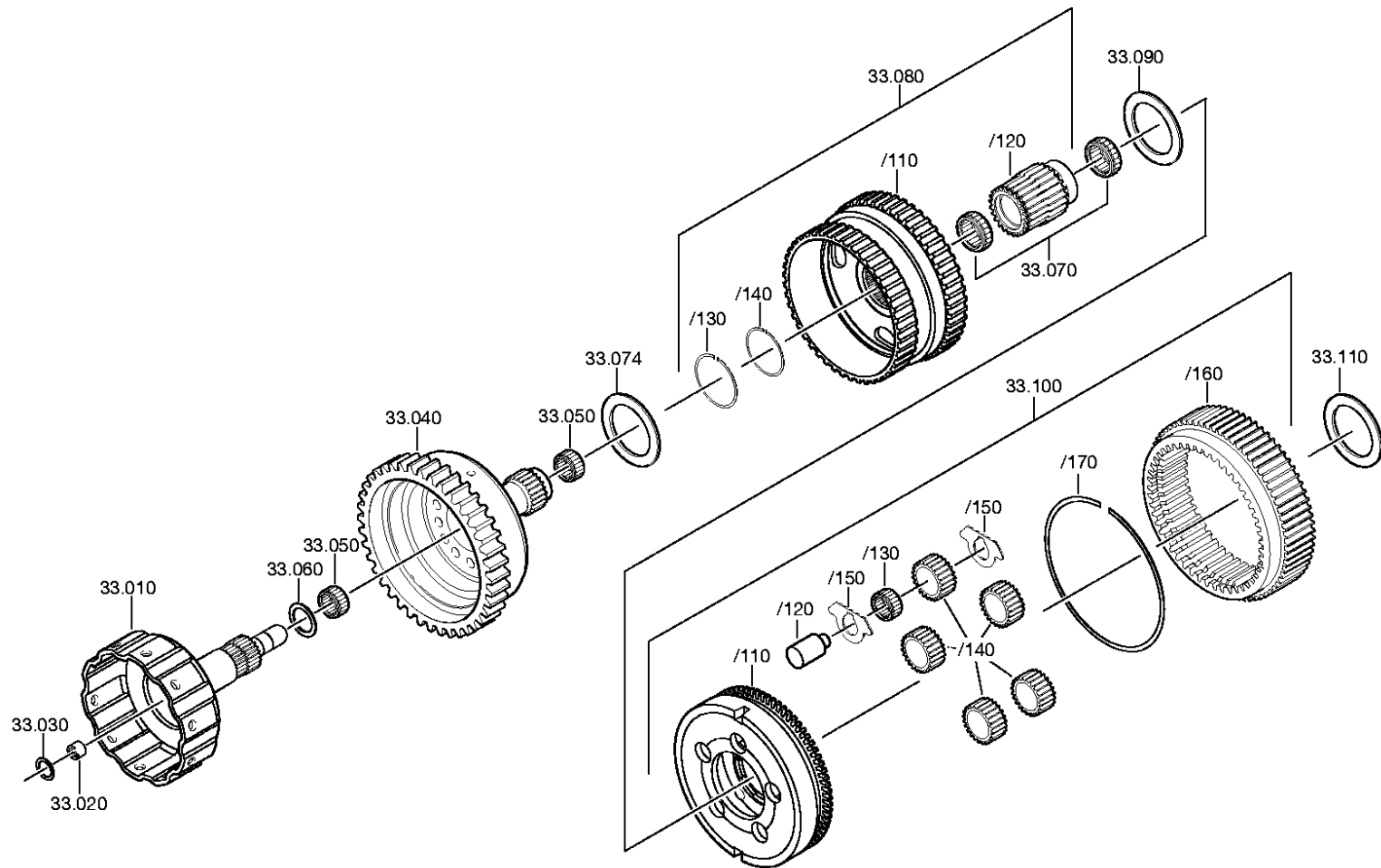
Pos.	Material number	Name	VKF	Amend. no.	Amend. start	Prod. no.	Material feature / tech. info.	OTK	External material no.	ID	Weight	SP
---	0630.004.036	SHIM RING	1		00.00.0000		10X16X1,2			5	0,000	
---	0630.004.037	SHIM RING	1		00.00.0000		10X16X1			5	0,001	
---	0630.004.038	SHIM RING	1		00.00.0000		10X16X0,5			5	0,000	
---	0630.000.164	SHIM RING	1		00.00.0000		10X16X0,3			5	0,001	
---	0630.000.185	SHIM RING	1		00.00.0000		10X16X0,2			5	0,000	
---	0630.000.104	SHIM RING	1		00.00.0000		10X16X0,1			5	0,000	
430	0732.041.142	COMPRSPRING	1		00.00.0000					5	0,007	
440	0732.041.322	COMPRSPRING	1		00.00.0000					5	0,013	
450	4139.320.068	STOP	1		00.00.0000					5	0,039	
460	4139.320.071	PISTON	1		00.00.0000		ENTHALT.IN 4139 320 069(1)			5	0,039	
470	0732.041.098	COMPRSPRING	1		00.00.0000					5	0,003	
480	4139.301.555	PISTON	1		00.00.0000		ENTHALT.IN 4139 301 247(1)			5	0,010	

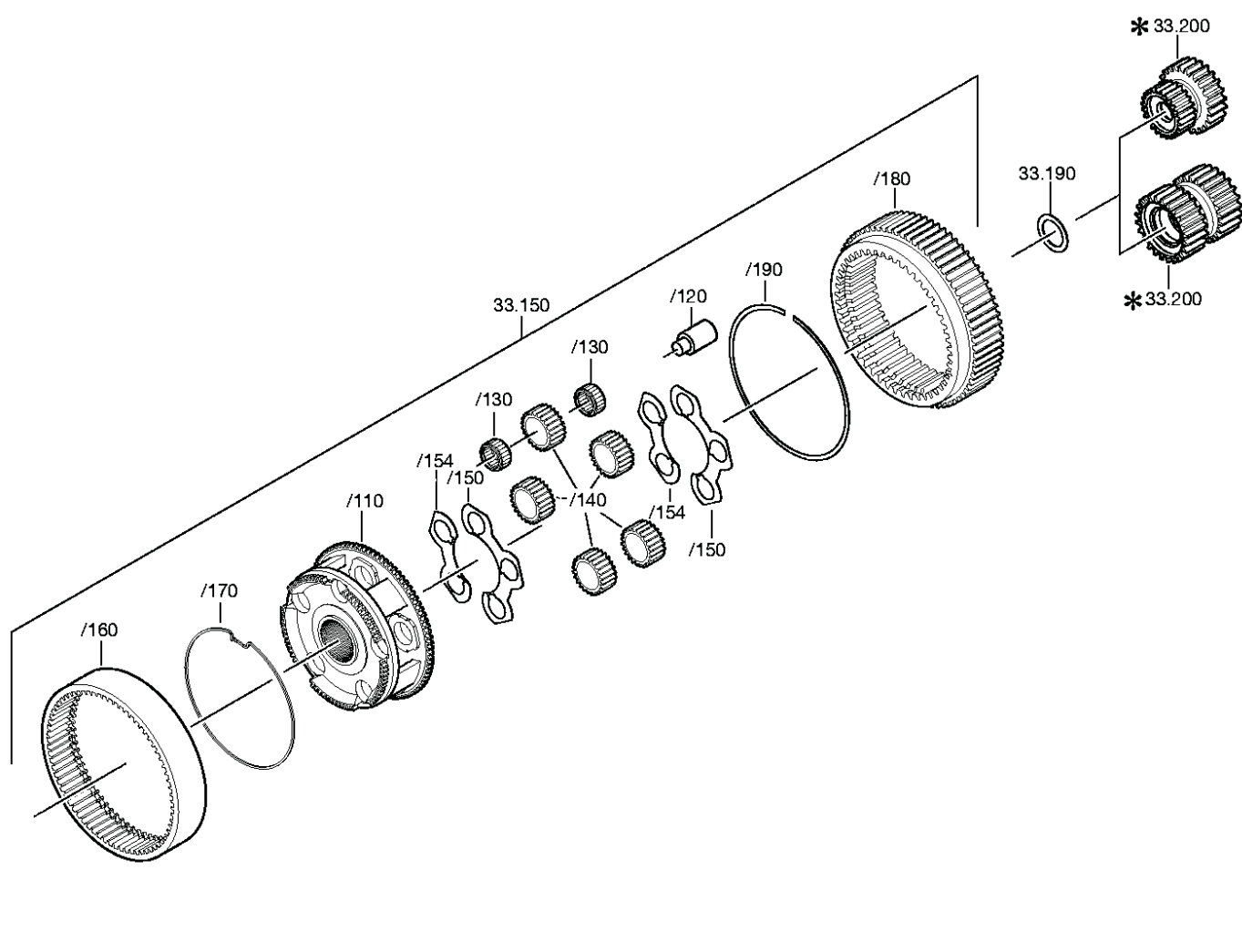
VKF Incidence factor

OTK Optional technical kit

ID Identification (output code)

SP Supplier plant







Pos.	Material number	Name	VKF	Amend. no.	Amend. start	Prod. no.	Material feature / tech. info.	OTK	External material no.	ID	Weight	SP
10	4139.233.229	INPUT SHAFT	1		00.00.0000		KPL. IN 4139 233 100(1)			3	3,580	
20	0750.115.518	NEEDLE SLEEVE	1		00.00.0000		WTB 18,0X24,0X16,0			3	0,017	
30	0730.150.625	THRUST WASHER	1		00.00.0000		A=1,00 IN 0730 150 624(2)			5	0,001	
40	4139.233.126	QUILL SHAFT	1		00.00.0000		KPL.			3	3,400	
50	0750.115.520	NEEDLE CAGE	2		00.00.0000		WTB 42,0X46,0X13,0			3	0,020	
60	0730.150.638	THRUST WASHER	1		00.00.0000		A=1,00 IN 0730 150 624(2)			5	0,003	
70	0735.320.782	NEEDLE CAGE	2		00.00.0000		55,0X59,0X13,0 FA.INA			5	0,024	
74	0730.150.630	THRUST WASHER	1		00.00.0000		A=2,50 IN 0730 150 624(2)			5	0,008	
80	4139.233.189	DISC CARRIER	1		00.00.0000		KPL.			3	4,100	
/110	4139.333.019	DISC CARRIER	1		00.00.0000		INNEN			5	3,607	
/120	4139.333.383	SUN GEAR	1		00.00.0000					5	0,567	
/130	0630.513.021	SNAP RING	1		00.00.0000					5	0,000	
/140	0630.513.080	SNAP RING	1		00.00.0000					5	0,000	
90	0730.150.637	THRUST WASHER	1		00.00.0000		A=1,00 IN 0730 150 624(2)			5	0,004	
100	4139.233.207	PLANETARY DRIVE	1		00.00.0000		KPL. I*HP500			3	9,631	
/110	4149.333.034	PLANET CARRIER	1	4348F	26.07.2007	26.07.2007	HP500			5	0,000	
/120	4139.333.088	BEARING PIN	5		00.00.0000					5	0,148	
/130	---	NEEDLE CAGE	5		00.00.0000		WTB			3	0,045	
---	0735.320.481	NEEDLE CAGE	5		00.00.0000		25,0X35,0X25,0 FA.INA			5	0,051	
---	0735.321.462	NEEDLE CAGE	5		00.00.0000		25,0X35,0X24,8 FA.NTN			5	0,000	
/140	---	PLANET GEAR SET	1	7463D	21.09.2004	21.09.2004	WTB			3	0,000	
---	4149.233.015	PLANET GEAR SET	1		00.00.0000		KPL.BORUNGSHONEN			3	0,000	
---	4139.233.315	PLANET GEAR SET	1		00.00.0000		KPL.			3	0,950	
/150	0501.305.970	THRUST PLATE	10		00.00.0000					5	0,013	
/160	4139.333.894	RING GEAR	1		00.00.0000		Z78			5	3,840	
/170	0730.503.079	RETAINING RING	1		00.00.0000		ENTHALT.IN 0730 513 337(2)			5	0,027	
110	0730.150.636	THRUST WASHER	1		00.00.0000		A=1,00 IN 0730 150 624(2)			5	0,004	
150	4149.233.004	PLANETARY DRIVE	1		00.00.0000		KPL.II HP502*ECOMAT 2PLUS			3	0,000	
/110	4149.333.023	PLANET CARRIER	1		00.00.0000		ECOMAT 2PLUS			5	0,000	
/120	4139.333.864	BEARING PIN	5		00.00.0000		ENTHALT.IN 4139 333 592(2)			5	0,286	
/122	0501.315.917	SLOTPIN	5		00.00.0000					5	0,002	
/130	---	NEEDLE CAGE	10		00.00.0000		WTB			3	0,039	
---	0735.320.480	NEEDLE CAGE	10		00.00.0000		30,0X40,0X16,0 FA.INA			5	0,000	

VKF Incidence factor

OTK Optional technical kit

ID Identification (output code)

SP Supplier plant



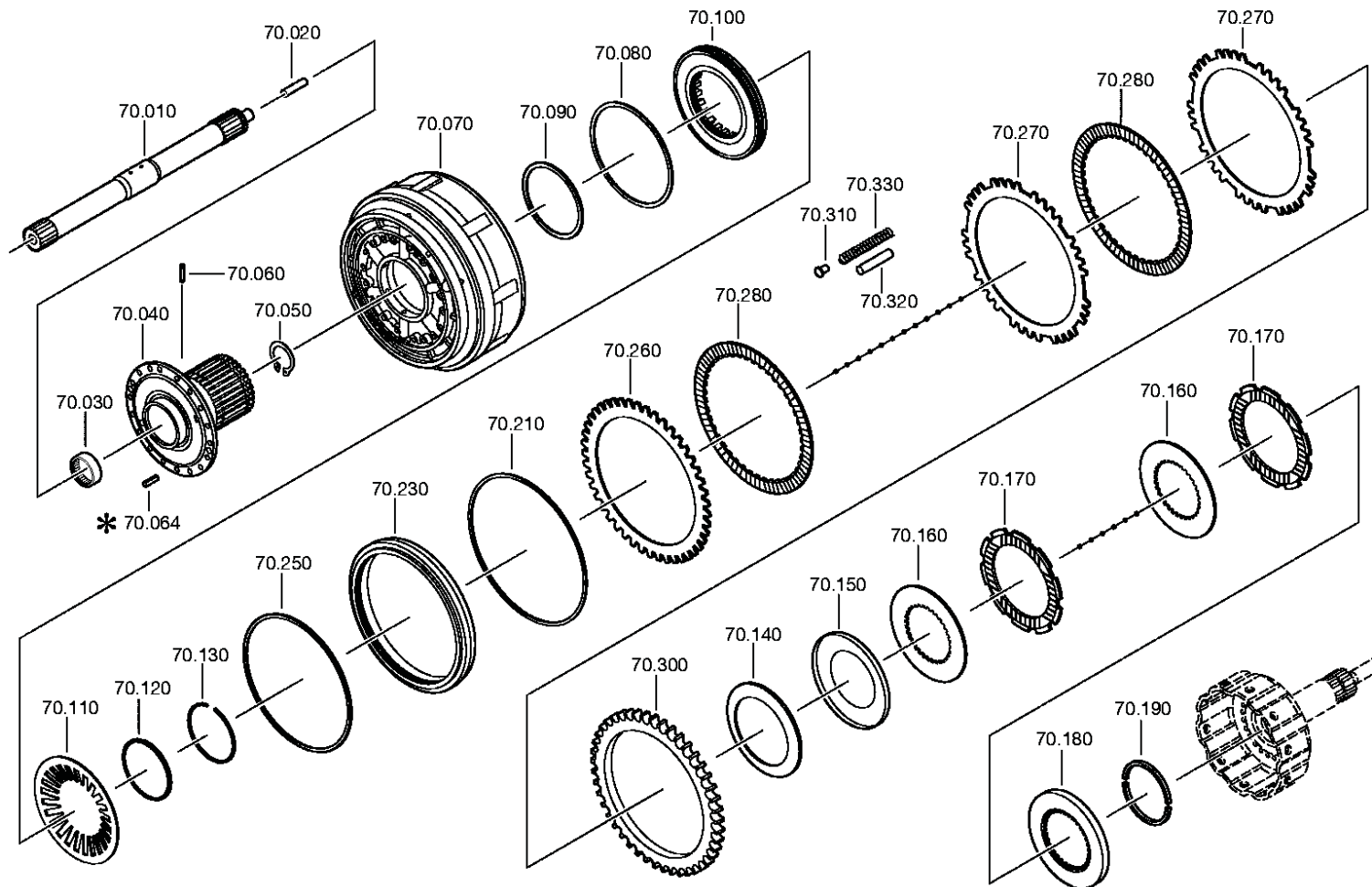
Pos.	Material number	Name	VKF	Amend. no.	Amend. start	Prod. no.	Material feature / tech. info.	OTK	External material no.	ID	Weight	SP
---	0735.321.461	NEEDLE CAGE	10		00.00.0000		30,0X40,0X15,8 FA.NTN			5	0,000	
/140	---	PLANET GEAR SET	1	7214D	08.09.2004	08.09.2004	WTB			3	0,000	
---	4149.233.012	PLANET GEAR SET	1		00.00.0000		KPL.BOHRUNGSHONEN			3	0,000	
---	4139.233.314	PLANET GEAR SET	1		00.00.0000		KPL.			3	1,700	
/150	0501.305.968	THRUST PLATE	2		00.00.0000					5	0,000	
/154	0501.305.969	THRUST PLATE	2		00.00.0000					5	0,000	
/160	4139.333.003	RING GEAR	1		00.00.0000					5	1,417	
/170	0730.503.089	RETAINING RING	1	1956F	03.05.2007	03.05.2007				5	0,000	
/180	4139.333.668	RING GEAR	1		00.00.0000					5	3,791	
/190	0730.503.079	RETAINING RING	1		00.00.0000		ENTHALT.IN 0730 513 337(2)			5	0,027	
190	0730.150.639	THRUST WASHER	1		00.00.0000		A=1,00 IN 0730 150 624(2)			5	0,002	
200	4139.333.774	SUN GEAR	1		00.00.0000					5	2,400	

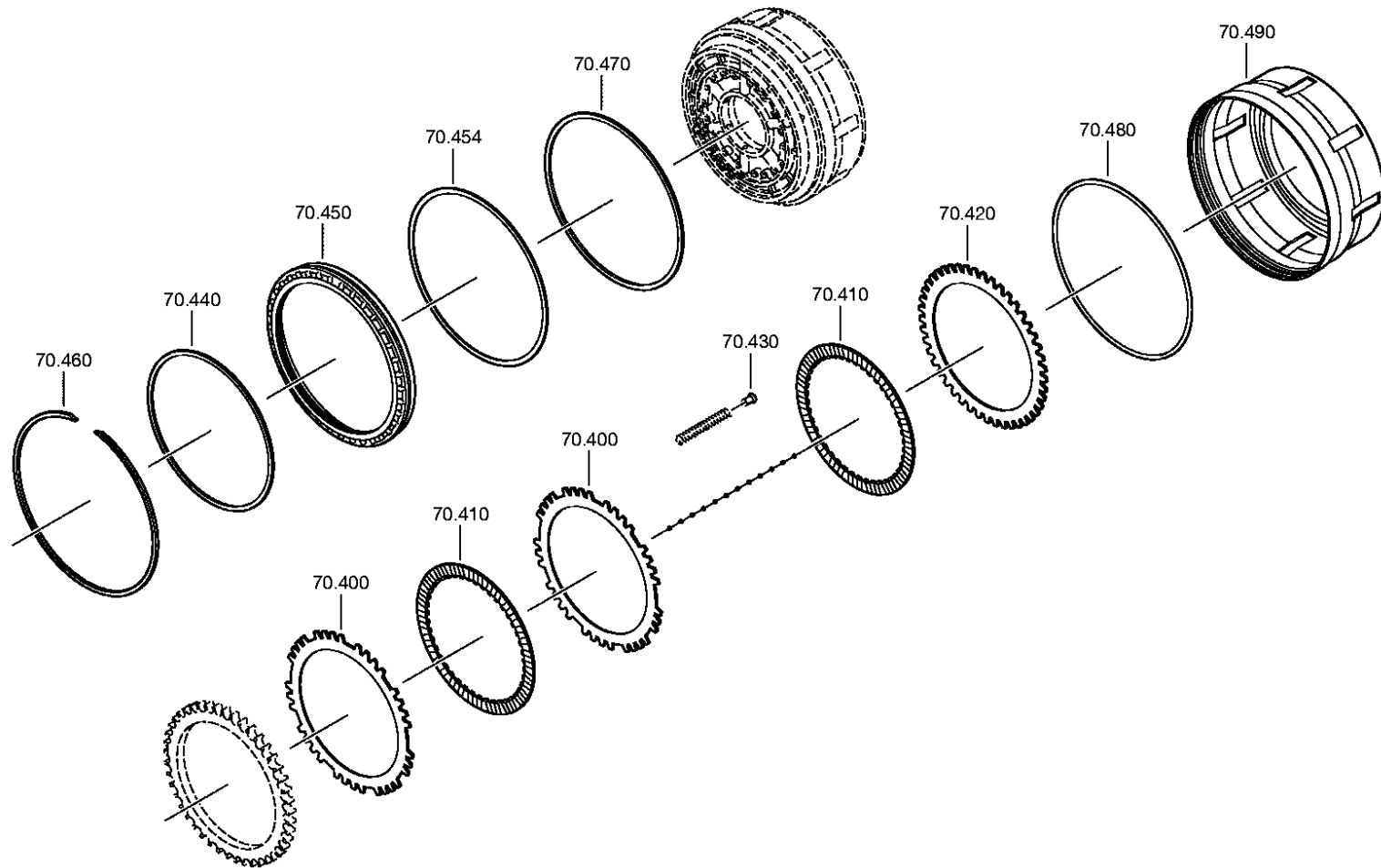
VKF Incidence factor

OTK Optional technical kit

ID Identification (output code)

SP Supplier plant







Pos.	Material number	Name	VKF	Amend. no.	Amend. start	Prod. no.	Material feature / tech. info.	OTK	External material no.	ID	Weight	SP
10	4139.333.755	TURBINE SHAFT	1	8906C	07.05.2003	07.05.2003				5	2,460	
20	0730.062.250	PIPE	1		00.00.0000		A=46,00			5	0,009	
30	0750.115.519	NEEDLE SLEEVE	1		00.00.0000		WTB 45,0X52,0X16,0			3	0,043	
40	4149.333.016	HUB	1		00.00.0000		IN 4149 333 021(0)			5	4,800	
50	0630.531.047	RETAINING RING	1		00.00.0000		38X2,5			5	0,000	
60	0635.490.065	NEEDLE ROLLER	3		00.00.0000		4X29,8			5	0,000	
64	0631.329.095	SLOTPIN	2	3323F	04.05.2007	04.05.2007	10X18			5	0,000	
70	4149.270.002	CLUTCH CARRIER	1	3323F	04.05.2007	04.05.2007	KPL.			3	5,177	
80	0734.307.132	LIP SEALING RING	1		00.00.0000		ENTHALT.IN 0734 307 196(1)			5	0,000	
90	0734.307.168	LIP SEALING RING	1		00.00.0000		ENTHALT.IN 0734 307 196(1)			5	0,000	
100	4149.370.055	PISTON	1	7916D	11.02.2005	11.02.2005				5	0,000	
110	0732.000.078	CUP SPRING	1		00.00.0000					5	0,000	
120	4139.333.040	FIXING PLATE	1		00.00.0000					5	0,008	
130	0630.513.028	SNAP RING	1		00.00.0000					5	0,000	
140	0732.000.169	CUP SPRING	1		00.00.0000					5	0,000	
150	4139.333.631	FIXING PLATE	1		00.00.0000					5	0,130	
160	---	ICLUTCH DISC	6		00.00.0000		WTB*A 4139 370 036(1)-A=2,00- 2,50(ABSTUFUNG:0,50MM)			3	0,000	
---	4139.333.765	ICLUTCH DISC	6		00.00.0000		A=2,50 IN 4139 370 036(1)			5	0,263	
---	4139.333.036	ICLUTCH DISC	6		00.00.0000		A=2,00 IN 4139 370 036(1)			5	0,211	
170	4139.270.035	OCLUTCH DISC	6	4052D	14.05.2004	14.05.2004	KPL.			3	0,167	
180	---	END SHIM	1	6493E	15.12.2006	15.12.2006	WTB			3	0,000	
---	4139.333.694	END SHIM	1		00.00.0000					5	1,226	
---	4149.333.033	END SHIM	1		00.00.0000		ZBR			5	0,000	
190	6600.300.048	SPLIT RING	2		00.00.0000					5	0,030	
210	0634.305.087	PISTON RING	1		00.00.0000		250X260X2,2			5	0,000	
230	4139.333.545	PISTON	1		00.00.0000		B IN 4139 333 543(1)			5	0,550	
250	0734.317.010	PISTON RING	1		00.00.0000		ENTHALT.IN 0734 317 019(2)			5	0,015	
260	4139.333.373	DISC	1		00.00.0000		ENTHALT.IN 4139 333 372(1)			5	0,417	
270	---	OCLUTCH DISC	4		00.00.0000		WTB*B*C 4139 333 758(1)-A=2,00- 2,50(ABSTUFUNG:0,50MM)			3	0,000	
---	4139.333.759	OCLUTCH DISC	4		00.00.0000		A=2,50 IN 4139 333 758(1)			5	0,331	

VKF Incidence factor

OTK Optional technical kit

ID Identification (output code)

SP Supplier plant



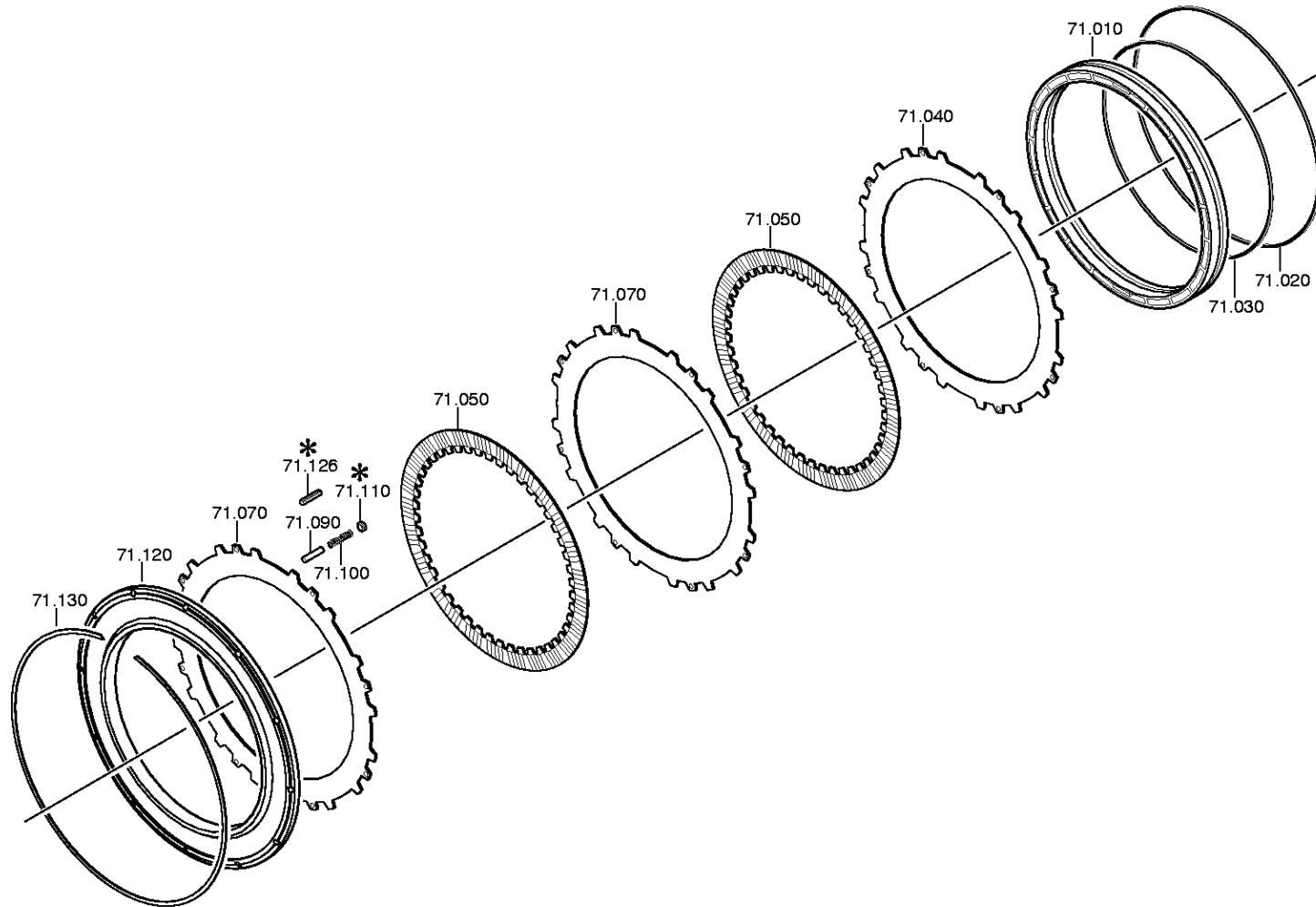
Pos.	Material number	Name	VKF	Amend. no.	Amend. start	Prod. no.	Material feature / tech. info.	OTK	External material no.	ID	Weight	SP
---	4139.333.172	OCLUTCH DISC	4		00.00.0000		A=2,00 IN 4139 333 758(1)			5	0,265	
280	4139.270.036	ICLUTCH DISC	4	4051D	28.05.2004	28.05.2004	KPL.			3	0,233	
300	4139.370.009	END SHIM	1		00.00.0000		ENTHALT.IN 4139 370 018(1)			5	2,329	
310	4139.333.197	PIN	9		00.00.0000					5	0,005	
320	0731.201.560	PIN	2		00.00.0000		ENTHALT.IN 0731 201 410(2)			5	0,038	
330	0732.041.421	COMPRSPRING	9		00.00.0000					5	0,017	
400	---	OCLUTCH DISC	3		00.00.0000		WTB* *C 4149 370 003(1)-A=2,00- 3,00(ABSTUFUNG:0,50MM)			3	0,000	
---	4149.370.004	OCLUTCH DISC	3		00.00.0000		A=2,50 IN 4149 370 003(1)			5	0,354	
---	4149.370.005	OCLUTCH DISC	3		00.00.0000		A=2,00 IN 4149 370 003(1)			5	0,286	
---	4149.370.001	OCLUTCH DISC	3		00.00.0000		A=3,00 IN 4149 370 003(1)			5	0,501	
410	4139.270.036	ICLUTCH DISC	3	4051D	28.05.2004	28.05.2004	KPL.			3	0,233	
420	4139.333.437	DISC	1		00.00.0000					5	0,442	
430	4139.333.197	PIN	9		00.00.0000					5	0,005	
440	0734.307.137	LIP SEALING RING	1		00.00.0000		ENTHALT.IN 0734 307 196(1)			5	0,018	
450	4139.270.039	PISTON	1		00.00.0000		KPL.C*MEMBRANE			3	0,820	
454	4139.370.016	RING	1		00.00.0000					5	0,033	
460	0730.513.120	RETAINING RING	1		00.00.0000					5	0,060	
470	0734.307.141	LIP SEALING RING	1		00.00.0000		ENTHALT.IN 0734 307 196(1)			5	0,000	
480	0634.349.521	O-RING	1		00.00.0000		310X2,5			5	0,000	
490	4149.370.002	POT	1	6454B	01.09.2001	01.09.2001				5	4,330	

VKF Incidence factor

OTK Optional technical kit

ID Identification (output code)

SP Supplier plant





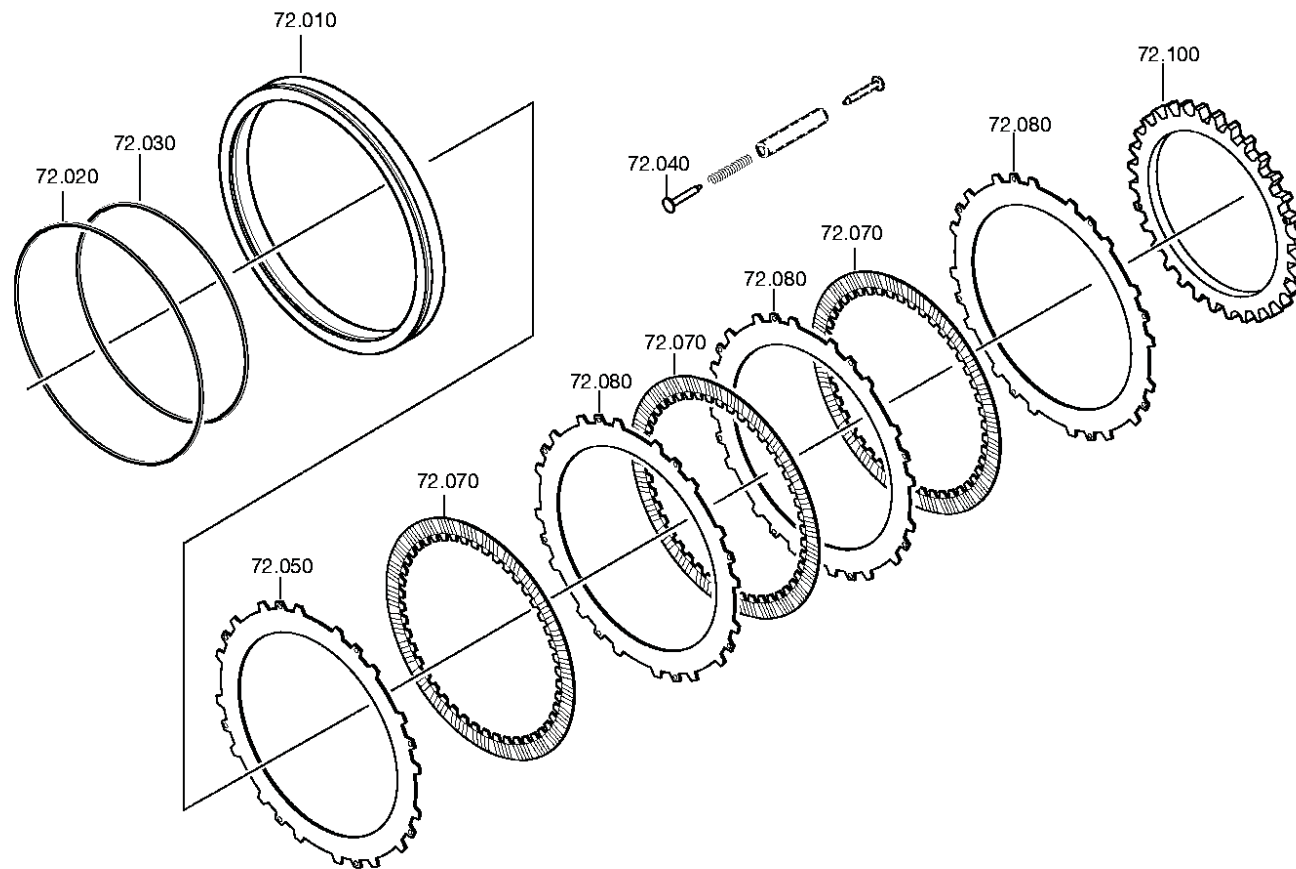
Pos.	Material number	Name	VKF	Amend. no.	Amend. start	Prod. no.	Material feature / tech. info.	OTK	External material no.	ID	Weight	SP
10	4139.372.004	PISTON	1		00.00.0000		ENTHALT.IN 4139 372 003(1)			5	0,278	
20	0734.307.137	LIP SEALING RING	1		00.00.0000		ENTHALT.IN 0734 307 196(1)			5	0,018	
30	0734.307.138	LIP SEALING RING	1		00.00.0000		ENTHALT.IN 0734 307 196(1)			5	0,000	
40	4139.333.263	OCLUTCH DISC	1		00.00.0000		A=3,00 IN 4139 333 760(1)			5	0,503	
50	4139.233.307	ICLUTCH DISC	3	4053D	26.05.2004	26.05.2004	KPL.			3	0,250	
70	---	OCLUTCH DISC	3		00.00.0000		WTB*D 4139 333 760(1)-A=2,00- 3,50(ABSTUFUNG:0,50MM)			3	0,000	
---	4139.333.263	OCLUTCH DISC	3		00.00.0000		A=3,00 IN 4139 333 760(1)			5	0,503	
---	4139.333.745	OCLUTCH DISC	3		00.00.0000		A=2,50 IN 4139 333 760(1)			5	0,425	
---	4139.333.015	OCLUTCH DISC	3		00.00.0000		A=2,00 IN 4139 333 760(1)			5	0,000	
---	4149.333.009	OCLUTCH DISC	3		00.00.0000		A=3,5 IN 4139 333 760(1)			5	0,612	
90	0731.201.483	PIN	8		00.00.0000					5	0,005	
100	0732.042.471	COMPRSPRING	8		00.00.0000					5	0,005	
120	4149.371.004	END SHIM	1		00.00.0000		ENTHALT.IN 4149 371 002(0)			5	2,981	
130	0630.513.178	SNAP RING	1		00.00.0000					5	0,000	

VKF Incidence factor

OTK Optional technical kit

ID Identification (output code)

SP Supplier plant





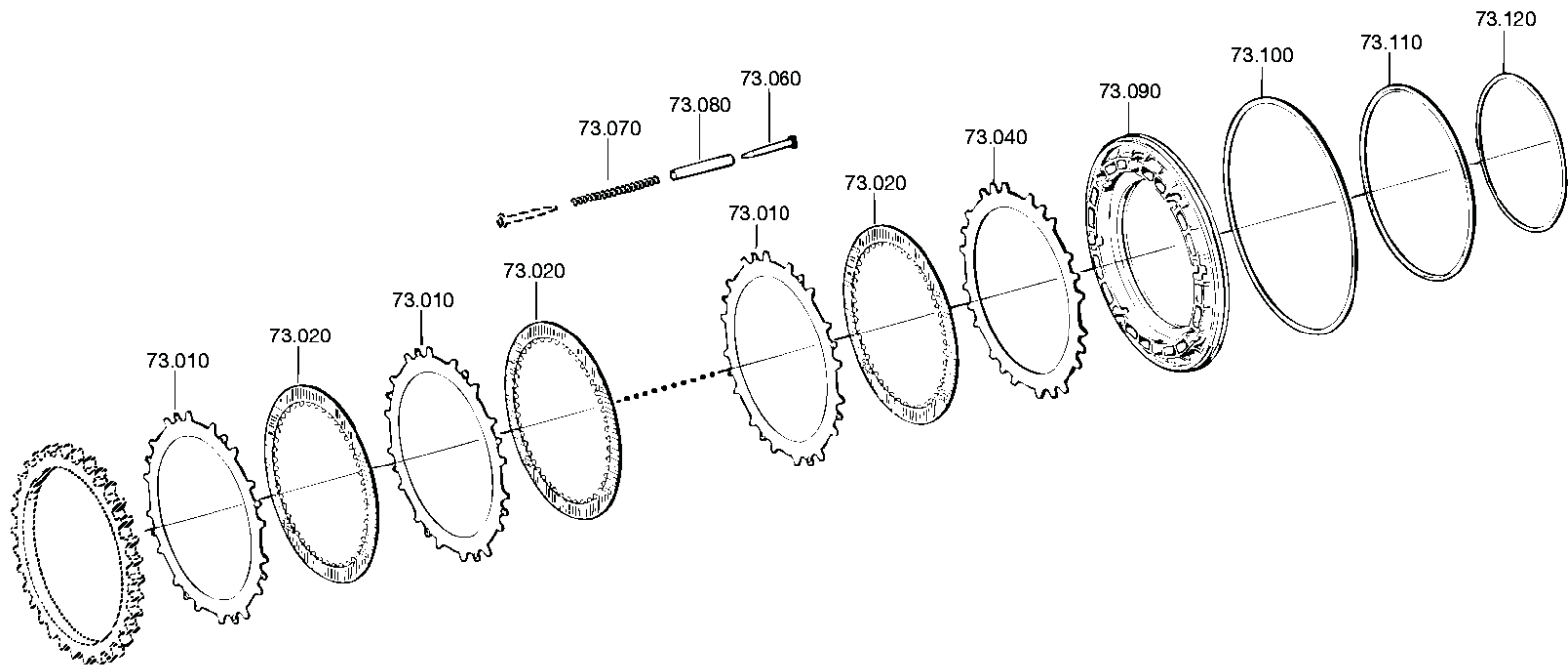
Pos.	Material number	Name	VKF	Amend. no.	Amend. start	Prod. no.	Material feature / tech. info.	OTK	External material no.	ID	Weight	SP
10	4139.372.005	PISTON	1	79969	01.01.1999	01.01.1999	ENTHALT.IN 4139 372 003(1)			5	0,335	
20	0734.307.137	LIP SEALING RING	1		00.00.0000		ENTHALT.IN 0734 307 196(1)			5	0,018	
30	0734.307.138	LIP SEALING RING	1		00.00.0000		ENTHALT.IN 0734 307 196(1)			5	0,000	
40	0731.201.541	PIN	8		00.00.0000		KPL. IN 0731 201 542(2)			5	0,007	
50	4139.333.766	OCLUTCH DISC	1		00.00.0000		A=3,00 IN 4139 333 760(1)			5	0,510	
70	4139.233.307	ICLUTCH DISC	6	4053D	26.05.2004	26.05.2004	KPL.			3	0,250	
80	---	OCLUTCH DISC	5	9897B	06.09.2001	06.09.2001	WTB*E*F*G 4139 333 760(1)-A= 2,00- 3,50(ABSTUFUNG:0,50MM)			3	0,000	
---	4139.333.766	OCLUTCH DISC	5		00.00.0000		A=3,00 IN 4139 333 760(1)			5	0,510	
---	4139.333.745	OCLUTCH DISC	5		00.00.0000		A=2,50 IN 4139 333 760(1)			5	0,425	
---	4139.333.015	OCLUTCH DISC	5		00.00.0000		A=2,00 IN 4139 333 760(1)			5	0,000	
---	4149.333.009	OCLUTCH DISC	5		00.00.0000		A=3,5 IN 4139 333 760(1)			5	0,612	
100	4139.333.535	PRESSURE RING	1	2981B	01.03.2001	01.03.2001	ENTHALT.IN 4139 333 637(1)			5	2,600	

VKF Incidence factor

OTK Optional technical kit

ID Identification (output code)

SP Supplier plant





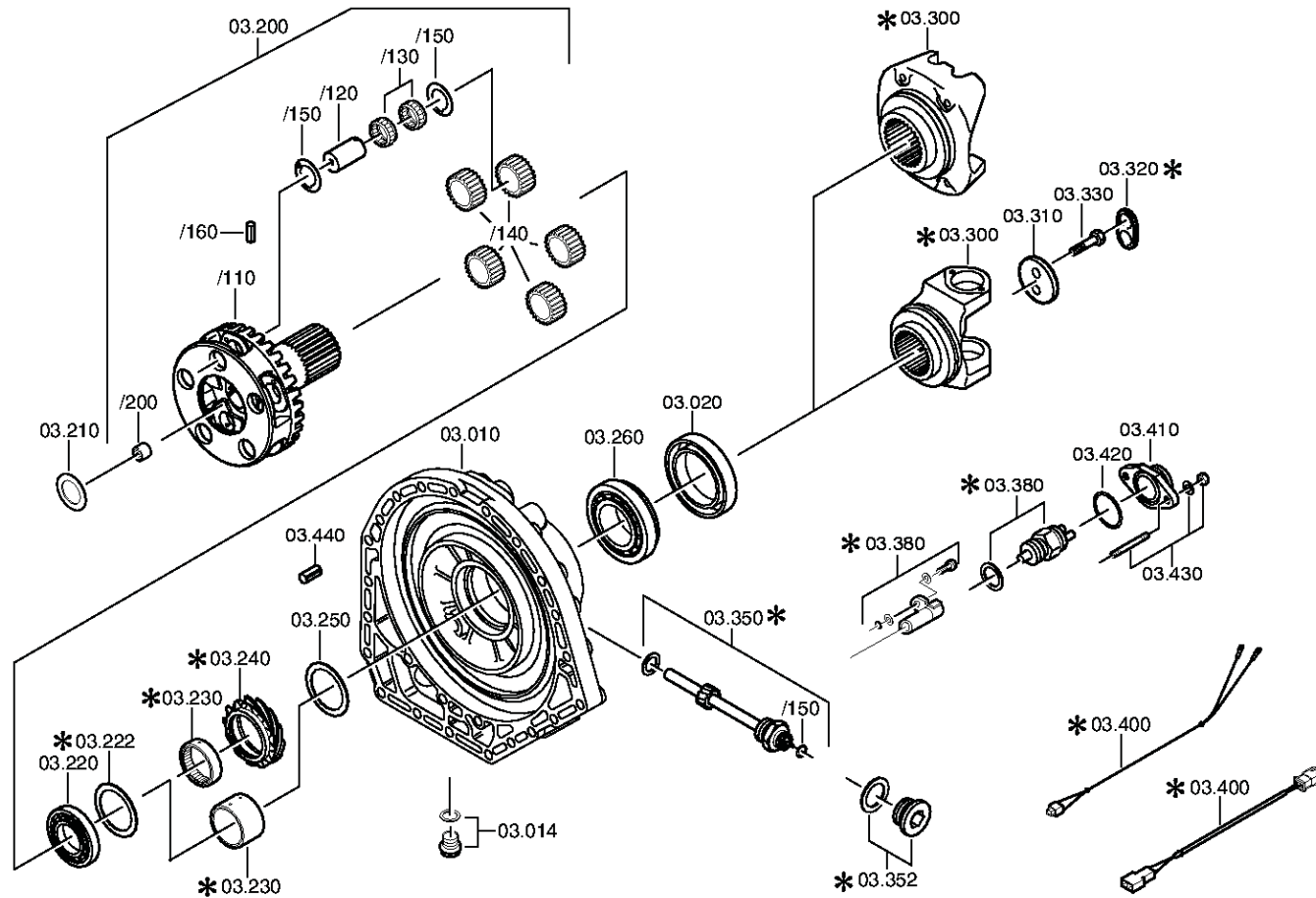
Pos.	Material number	Name	VKF	Amend. no.	Amend. start	Prod. no.	Material feature / tech. info.	OTK	External material no.	ID	Weight	SP
10	---	OCLUTCH DISC	6	9897B	06.09.2001	06.09.2001	WTB*E*F*G 4139 333 760(1)-A= 2,00- 3,50(ABSTUFUNG:0,50MM)			3	0,000	
---	4139.333.766	OCLUTCH DISC	6		00.00.0000		A=3,00 IN 4139 333 760(1)			5	0,510	
---	4139.333.745	OCLUTCH DISC	6		00.00.0000		A=2,50 IN 4139 333 760(1)			5	0,425	
---	4139.333.015	OCLUTCH DISC	6		00.00.0000		A=2,00 IN 4139 333 760(1)			5	0,000	
---	4149.333.009	OCLUTCH DISC	6		00.00.0000		A=3,5 IN 4139 333 760(1)			5	0,612	
20	4139.233.307	ICLUTCH DISC	7	4053D	26.05.2004	26.05.2004	KPL.			3	0,250	
40	4139.373.029	OCLUTCH DISC	1		00.00.0000					5	0,356	
60	0731.201.541	PIN	8		00.00.0000		KPL. IN 0731 201 542(2)			5	0,007	
70	0732.041.409	COMPRSPRING	8		00.00.0000					5	0,000	
80	0730.161.355	PIPE	8		00.00.0000		A=85,00			5	0,047	
90	4139.373.026	PISTON	1		00.00.0000		A=27,3 IN 4139 373 023(0)			5	1,260	
100	0734.307.139	LIP SEALING RING	1		00.00.0000		ENTHALT.IN 0734 307 196(1)			5	0,020	
110	0634.305.087	PISTON RING	1		00.00.0000		250X260X2,2			5	0,000	
120	0634.305.066	PISTON RING	1		00.00.0000		210X220X2,2			5	0,000	

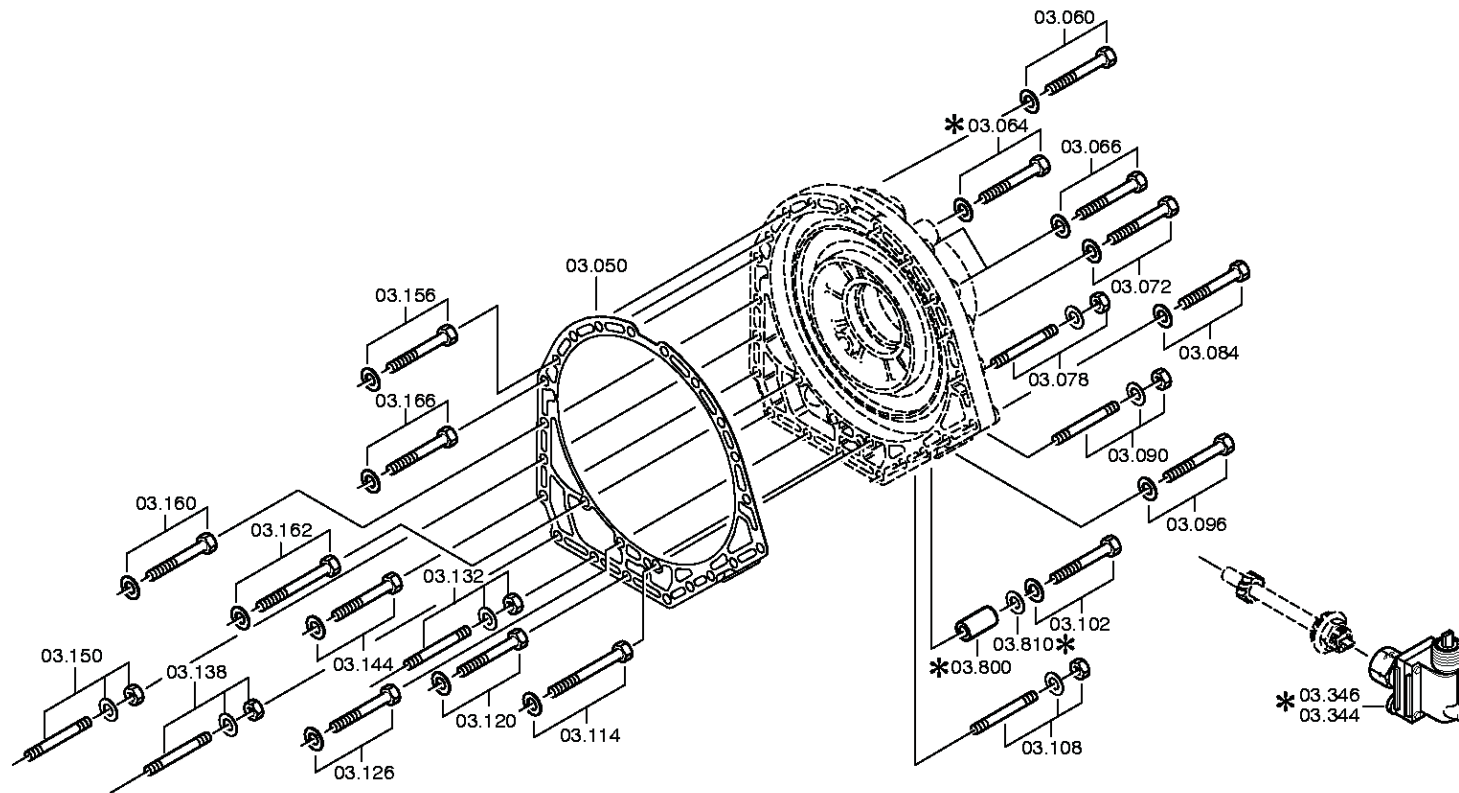
VKF Incidence factor

OTK Optional technical kit

ID Identification (output code)

SP Supplier plant







Pos.	Material number	Name	VKF	Amend. no.	Amend. start	Prod. no.	Material feature / tech. info.	OTK	External material no.	ID	Weight	SP
10	4139.203.147	OUTPUT COVER	1	4492D	26.05.2004	26.05.2004	KPL.			3	0,000	
14	---	SCREW PLUG	1	4526D	01.04.2004	01.04.2004	AM18X1,5* 35N.M* DICHRING			3	0,000	
---	0636.305.067	SCREW PLUG	1		00.00.0000		M18X1,5			5	0,028	
---	0634.801.057	SEALING RING	1		00.00.0000		18X22			4	0,001	
20	---	SHAFT SEAL	1		00.00.0000		90X125X12			3	0,000	
---	0750.111.018	SHAFT SEAL	1		00.00.0000		WTB 90X125X12			3	0,088	
50	4139.301.618	GASKET	1		00.00.0000					5	0,070	
60	---	HEXAGON BOLT	4		00.00.0000		M10X55 DIN931ALT/8.8 A3C			3	0,000	
---	0636.010.378	HEXAGON BOLT	4		00.00.0000		M10X55			5	0,000	
---	0630.001.048	WASHER	4		00.00.0000					5	0,004	
66	---	HEXAGON BOLT	2		00.00.0000		M10X60 DIN931ALT/8.8 A3C			3	0,047	
---	0636.010.071	HEXAGON BOLT	2		00.00.0000		M10X60			5	0,000	
---	0630.001.048	WASHER	2		00.00.0000					5	0,004	
72	---	HEXAGON BOLT	1		00.00.0000		M10X55 DIN931ALT/8.8 A3C			3	0,000	
---	0636.010.378	HEXAGON BOLT	1		00.00.0000		M10X55			5	0,000	
---	0630.001.048	WASHER	1		00.00.0000					5	0,004	
78	---	BOLT+NUT	1		00.00.0000		M10X65 DIN835/8.8 A3C			3	0,000	
---	0636.604.428	STUD	1		00.00.0000		M10X65			5	0,000	
---	0630.001.048	WASHER	1		00.00.0000					5	0,004	
---	0637.006.125	HEXAGON NUT	1		00.00.0000		M10			5	0,010	
84	---	HEXAGON BOLT	1		00.00.0000		M10X55 DIN931ALT/8.8 A3C			3	0,000	
---	0636.010.378	HEXAGON BOLT	1		00.00.0000		M10X55			5	0,000	
---	0630.001.048	WASHER	1		00.00.0000					5	0,004	
90	---	BOLT+NUT	1		00.00.0000		M10X65 DIN835/8.8 A3C			3	0,000	
---	0636.604.428	STUD	1		00.00.0000		M10X65			5	0,000	
---	0630.001.048	WASHER	1		00.00.0000					5	0,004	
---	0637.006.125	HEXAGON NUT	1		00.00.0000		M10			5	0,010	
96	---	HEXAGON BOLT	1		00.00.0000		M10X55 DIN931ALT/8.8 A3C			3	0,000	
---	0636.010.378	HEXAGON BOLT	1		00.00.0000		M10X55			5	0,000	
---	0630.001.048	WASHER	1		00.00.0000					5	0,004	
102	---	HEXAGON BOLT	1		00.00.0000		M10X55 DIN931ALT/8.8 A3C			3	0,000	
---	0636.010.378	HEXAGON BOLT	1		00.00.0000		M10X55			5	0,000	
---	0630.001.048	WASHER	1		00.00.0000					5	0,004	

VKF Incidence factor

OTK Optional technical kit

ID Identification (output code)

SP Supplier plant



Pos.	Material number	Name	VKF	Amend. no.	Amend. start	Prod. no.	Material feature / tech. info.	OTK	External material no.	ID	Weight	SP
108	---	BOLT+NUT	1		00.00.0000		M10X65 DIN835/8.8 A3C			3	0,000	
---	0636.604.428	STUD	1		00.00.0000		M10X65			5	0,000	
---	0630.001.048	WASHER	1		00.00.0000					5	0,004	
---	0637.006.125	HEXAGON NUT	1		00.00.0000		M10			5	0,010	
114	---	HEXAGON BOLT	1		00.00.0000		M10X75 DIN931ALT/8.8 A3C			3	0,000	
---	0636.010.379	HEXAGON BOLT	1		00.00.0000		M10X75			5	0,055	
---	0630.001.048	WASHER	1		00.00.0000					5	0,004	
120	---	HEXAGON BOLT	1		00.00.0000		M10X55 DIN931ALT/8.8 A3C			3	0,000	
---	0636.010.378	HEXAGON BOLT	1		00.00.0000		M10X55			5	0,000	
---	0630.001.048	WASHER	1		00.00.0000					5	0,004	
126	---	HEXAGON BOLT	1		00.00.0000		M10X55 DIN931ALT/8.8 A3C			3	0,000	
---	0636.010.378	HEXAGON BOLT	1		00.00.0000		M10X55			5	0,000	
---	0630.001.048	WASHER	1		00.00.0000					5	0,004	
132	---	BOLT+NUT	1		00.00.0000		M10X65 DIN835/8.8 A3C			3	0,000	
---	0636.604.428	STUD	1		00.00.0000		M10X65			5	0,000	
---	0630.001.048	WASHER	1		00.00.0000					5	0,004	
---	0637.006.125	HEXAGON NUT	1		00.00.0000		M10			5	0,010	
138	---	BOLT+NUT	1		00.00.0000		M10X65 DIN835/8.8 A3C			3	0,000	
---	0636.604.428	STUD	1		00.00.0000		M10X65			5	0,000	
---	0630.001.048	WASHER	1		00.00.0000					5	0,004	
---	0637.006.125	HEXAGON NUT	1		00.00.0000		M10			5	0,010	
144	---	HEXAGON BOLT	1		00.00.0000		M10X55 DIN931ALT/8.8 A3C			3	0,000	
---	0636.010.378	HEXAGON BOLT	1		00.00.0000		M10X55			5	0,000	
---	0630.001.048	WASHER	1		00.00.0000					5	0,004	
150	---	BOLT+NUT	1		00.00.0000		M10X65 DIN835/8.8 A3C			3	0,000	
---	0636.604.428	STUD	1		00.00.0000		M10X65			5	0,000	
---	0630.001.048	WASHER	1		00.00.0000					5	0,004	
---	0637.006.125	HEXAGON NUT	1		00.00.0000		M10			5	0,010	
156	---	HEXAGON BOLT	1		00.00.0000		M10X55 DIN931ALT/8.8 A3C			3	0,000	
---	0636.010.378	HEXAGON BOLT	1		00.00.0000		M10X55			5	0,000	
---	0630.001.048	WASHER	1		00.00.0000					5	0,004	
160	---	HEXAGON BOLT	1		00.00.0000		M10X55 DIN931ALT/8.8 A3C			3	0,000	
---	0636.010.378	HEXAGON BOLT	1		00.00.0000		M10X55			5	0,000	
---	0630.001.048	WASHER	1		00.00.0000					5	0,004	

VKF Incidence factor

OTK Optional technical kit

ID Identification (output code)

SP Supplier plant



Pos.	Material number	Name	VKF	Amend. no.	Amend. start	Prod. no.	Material feature / tech. info.	OTK	External material no.	ID	Weight	SP
162	---	HEXAGON BOLT	1		00.00.0000		M10X75 DIN931ALT/8.8 A3C			3	0,000	
---	0636.010.379	HEXAGON BOLT	1		00.00.0000		M10X75			5	0,055	
---	0630.001.048	WASHER	1		00.00.0000					5	0,004	
166	---	HEXAGON BOLT	1		00.00.0000		M10X55 DIN931ALT/8.8 A3C			3	0,000	
---	0636.010.378	HEXAGON BOLT	1		00.00.0000		M10X55			5	0,000	
---	0630.001.048	WASHER	1		00.00.0000					5	0,004	
200	4149.203.016	PLANETARY DRIVE	1	8226B	01.07.2001	01.07.2001	KPL.			3	12,505	
/110	4149.203.014	PLANET CARRIER	1		00.00.0000		KPL.			3	8,920	
/120	4139.333.593	BEARING PIN	5		00.00.0000		ENTHALT.IN 4139 333 592(2)			5	0,000	
/130	---	NEEDLE CAGE	10		00.00.0000		WTB			3	0,039	
---	0735.320.480	NEEDLE CAGE	10		00.00.0000		30,0X40,0X16,0 FA.INA			5	0,000	
---	0735.321.461	NEEDLE CAGE	10		00.00.0000		30,0X40,0X15,8 FA.NTN			5	0,000	
/140	---	PLANET GEAR SET	1		00.00.0000		WTB			3	0,000	
---	4149.233.013	PLANET GEAR SET	1		00.00.0000		KPL.BOHRUNGSHONEN			3	0,000	
---	4139.203.136	PLANET GEAR SET	1		00.00.0000		KPL.			3	0,000	
/150	4149.303.023	THRUST WASHER	10	1404E	12.07.2005	12.07.2005				5	0,000	
/160	0501.315.917	SLOTPIN	5		00.00.0000					5	0,002	
/200	0750.115.518	NEEDLE SLEEVE	1		00.00.0000		WTB 18,0X24,0X16,0			3	0,017	
210	---	SPACING WASHER	1		00.00.0000		WTB 0730 104 779(3)-A= 1,80-7,00(ABSTUFUNG:0,20MM)			3	0,000	
---	0730.105.229	SPACING WASHER	1		00.00.0000		A=7,00 IN 0730 104 779(2)			5	0,090	
---	0730.105.228	SPACING WASHER	1		00.00.0000		A=6,80 IN 0730 104 779(2)			5	0,088	
---	0730.105.227	SPACING WASHER	1		00.00.0000		A=6,60 IN 0730 104 779(2)			5	0,086	
---	0730.110.828	SPACING WASHER	1		00.00.0000		A=6,50 IN 0730 104 779(2)			5	0,078	
---	0730.105.226	SPACING WASHER	1		00.00.0000		A=6,40 IN 0730 104 779(2)			5	0,083	
---	0730.110.827	SPACING WASHER	1		00.00.0000		A=6,30 IN 0730 104 779(2)			5	0,008	
---	0730.105.225	SPACING WASHER	1		00.00.0000		A=6,20 IN 0730 104 779(2)			5	0,081	
---	0730.110.826	SPACING WASHER	1		00.00.0000		A=6,10 IN 0730 104 779(2)			5	0,075	
---	0730.105.224	SPACING WASHER	1		00.00.0000		A=6,00 IN 0730 104 779(2)			5	0,078	
---	0730.109.936	SPACING WASHER	1		00.00.0000		A=5,90 IN 0730 104 779(2)			5	0,076	
---	0730.105.223	SPACING WASHER	1		00.00.0000		A=5,80 IN 0730 104 779(2)			5	0,076	
---	0730.109.935	SPACING WASHER	1		00.00.0000		A=5,70 IN 0730 104 779(2)			5	0,074	
---	0730.105.222	SPACING WASHER	1		00.00.0000		A=5,60 IN 0730 104 779(2)			5	0,073	
---	0730.109.934	SPACING WASHER	1		00.00.0000		A=5,50 IN 0730 104 779(2)			5	0,070	

VKF Incidence factor

OTK Optional technical kit

ID Identification (output code)

SP Supplier plant



Pos.	Material number	Name	VKF	Amend. no.	Amend. start	Prod. no.	Material feature / tech. info.	OTK	External material no.	ID	Weight	SP
---	0730.105.221	SPACING WASHER	1		00.00.0000		A=5,40 IN 0730 104 779(2)			5	0,071	
---	0730.109.933	SPACING WASHER	1		00.00.0000		A=5,30 IN 0730 104 779(2)			5	0,068	
---	0730.103.511	SPACING WASHER	1		00.00.0000		A=5,20 IN 0730 104 779(2)			5	0,068	
---	0730.109.932	SPACING WASHER	1		00.00.0000		A=5,10 IN 0730 104 779(2)			5	0,060	
---	0730.103.512	SPACING WASHER	1		00.00.0000		A=5,00 IN 0730 104 779(2)			5	0,066	
---	0730.109.931	SPACING WASHER	1		00.00.0000		A=4,90 IN 0730 104 779(2)			5	0,062	
---	0730.103.513	SPACING WASHER	1		00.00.0000		A=4,80 IN 0730 104 779(2)			5	0,061	
---	0730.109.930	SPACING WASHER	1		00.00.0000		A=4,70 IN 0730 104 779(2)			5	0,061	
---	0730.103.514	SPACING WASHER	1		00.00.0000		A=4,60 IN 0730 104 779(2)			5	0,058	
---	0730.109.929	SPACING WASHER	1		00.00.0000		A=4,50 IN 0730 104 779(2)			5	0,058	
---	0730.103.515	SPACING WASHER	1		00.00.0000		A=4,40 IN 0730 104 779(2)			5	0,056	
---	0730.109.928	SPACING WASHER	1		00.00.0000		A=4,30 IN 0730 104 779(2)			5	0,055	
---	0730.103.516	SPACING WASHER	1		00.00.0000		A=4,20 IN 0730 104 779(2)			5	0,053	
---	0730.109.927	SPACING WASHER	1		00.00.0000		A=4,10 IN 0730 104 779(2)			5	0,053	
---	0730.103.517	SPACING WASHER	1		00.00.0000		A=4,00 IN 0730 104 779(2)			5	0,050	
---	0730.109.926	SPACING WASHER	1		00.00.0000		A=3,90 IN 0730 104 779(2)			5	0,051	
---	0730.103.518	SPACING WASHER	1		00.00.0000		A=3,80 IN 0730 104 779(2)			5	0,049	
---	0730.103.519	SPACING WASHER	1		00.00.0000		A=3,60 IN 0730 104 779(2)			5	0,046	
---	0730.103.272	SPACING WASHER	1		00.00.0000		35,1X58X3,4			5	0,050	
---	0730.103.273	SPACING WASHER	1		00.00.0000		A=3,20 IN 0730 104 779(2)			5	0,045	
---	0730.103.274	SPACING WASHER	1		00.00.0000		A=3,00 IN 0730 104 779(2)			5	0,038	
---	0730.103.275	SPACING WASHER	1		00.00.0000		A=2,80 IN 0730 104 779(2)			5	0,036	
---	0730.103.276	SPACING WASHER	1		00.00.0000		A=2,60 IN 0730 104 779(2)			5	0,037	
---	0730.103.277	SPACING WASHER	1		00.00.0000		A=2,40 IN 0730 104 779(2)			5	0,031	
---	0730.103.278	SPACING WASHER	1		00.00.0000		A=2,20 IN 0730 104 779(2)			5	0,028	
---	0730.103.279	SPACING WASHER	1		00.00.0000		A=2,00 IN 0730 104 779(2)			5	0,026	
---	0730.103.362	SPACING WASHER	1		00.00.0000		A=1,80 IN 0730 104 779(2)			5	0,023	
220	---	TAROLLBEARING	1		00.00.0000		70,0X110,0X25,0			3	0,000	
---	0750.117.625	TAROLLBEARING	1		00.00.0000		WTB 70,0X110,0X25,0			3	0,844	
230	4139.303.221	BUSH	1		00.00.0000		A=45,00			5	0,379	
250	---	WASHER	1	0134B	19.11.1999	19.11.1999	WTB 0730 106 665(2)-A= 0,40-1,20(ABSTUFUNG:0,10MM)			3	0,000	
---	0730.103.586	WASHER	1		00.00.0000		A=1,20 IN 0730 106 665(2)			5	0,000	
---	0730.008.869	WASHER	1	3625B	31.07.2000	31.07.2000	A=1,15 IN 0730 106 665(2)			5	0,010	

VKF Incidence factor

OTK Optional technical kit

ID Identification (output code)

SP Supplier plant



Pos.	Material number	Name	VKF	Amend. no.	Amend. start	Prod. no.	Material feature / tech. info.	OTK	External material no.	ID	Weight	SP
---	0730.103.587	WASHER	1		00.00.0000		A=1,10 IN 0730 106 665(2)			5	0,009	
---	0730.106.668	WASHER	1		00.00.0000		A=1,05 IN 0730 106 665(2)			5	0,009	
---	0730.103.588	WASHER	1		00.00.0000		A=1,00 IN 0730 106 665(2)			5	0,008	
---	0730.106.667	WASHER	1		00.00.0000		A=0,95 IN 0730 106 665(2)			5	0,009	
---	0730.106.666	WASHER	1		00.00.0000		A=0,90 IN 0730 106 665(2)			5	0,007	
---	0730.008.868	WASHER	1	3625B	31.07.2000	31.07.2000	A=0,85 IN 0730 106 665(2)			5	0,007	
---	0730.103.589	WASHER	1		00.00.0000		A=0,80 IN 0730 106 665(2)			5	0,007	
---	0730.103.590	WASHER	1		00.00.0000		A=0,60 IN 0730 106 665(2)			5	0,000	
---	0730.103.591	WASHER	1		00.00.0000		A=0,40 IN 0730 106 665(2)			5	0,000	
260	---	TAROLLBEARING	1		00.00.0000		70,0X125,0X26,2			3	0,000	
---	0750.117.621	TAROLLBEARING	1		00.00.0000		WTB 70,0X125,0X26,2			3	1,290	
300	4139.303.166	END YOKE	1		00.00.0000					5	4,902	
310	4139.303.239	WASHER	1		00.00.0000					5	0,000	
330	---	HEXAGON BOLT	2	8226B	01.07.2001	01.07.2001	M12X60 DIN931A/8. 8A3CSMX1			3	0,000	
---	0636.011.641	HEXAGON BOLT	2		00.00.0000		M12X60			5	0,000	
352	---	SCREW PLUG	1		00.00.0000		M36X1,5 *100N.M* DICHTRING			3	0,000	
---	0636.302.054	SCREW PLUG	1		00.00.0000		M36X1,5			5	0,000	
---	0634.801.251	SEALING RING	1		00.00.0000		36X42			5	0,004	
380	---	INDTRANSMITTER	1		00.00.0000		* 50N.M*SCHEIBE			3	0,150	
---	0501.306.211	INDTRANSMITTER	1		00.00.0000					5	0,000	
---	---	WASHER	1		00.00.0000		WTB 0730 003 298(2)-A= 0,60- 4,00(ABSTUFUNG:0,10MM)			3	0,000	
---	0730.009.216	WASHER	1		00.00.0000		A=4,00 IN 0730 003 298(2)			5	0,009	
---	0730.009.215	WASHER	1		00.00.0000		A=3,90 IN 0730 003 298(2)			5	0,009	
---	0730.009.214	WASHER	1		00.00.0000		A=3,80 IN 0730 003 298(2)			5	0,009	
---	0730.009.213	WASHER	1		00.00.0000		A=3,70 IN 0730 003 298(2)			5	0,008	
---	0730.009.212	WASHER	1		00.00.0000		A=3,60 IN 0730 003 298(2)			5	0,008	
---	0730.009.211	WASHER	1		00.00.0000		A=3,50 IN 0730 003 298(2)			5	0,008	
---	0730.009.210	WASHER	1		00.00.0000		A=3,40 IN 0730 003 298(2)			5	0,008	
---	0730.009.209	WASHER	1		00.00.0000		A=3,30 IN 0730 003 298(2)			5	0,007	
---	0730.009.208	WASHER	1		00.00.0000		A=3,20 IN 0730 003 298(2)			5	0,007	
---	0730.009.207	WASHER	1		00.00.0000		A=3,10 IN 0730 003 298(2)			5	0,007	

VKF Incidence factor

OTK Optional technical kit

ID Identification (output code)

SP Supplier plant



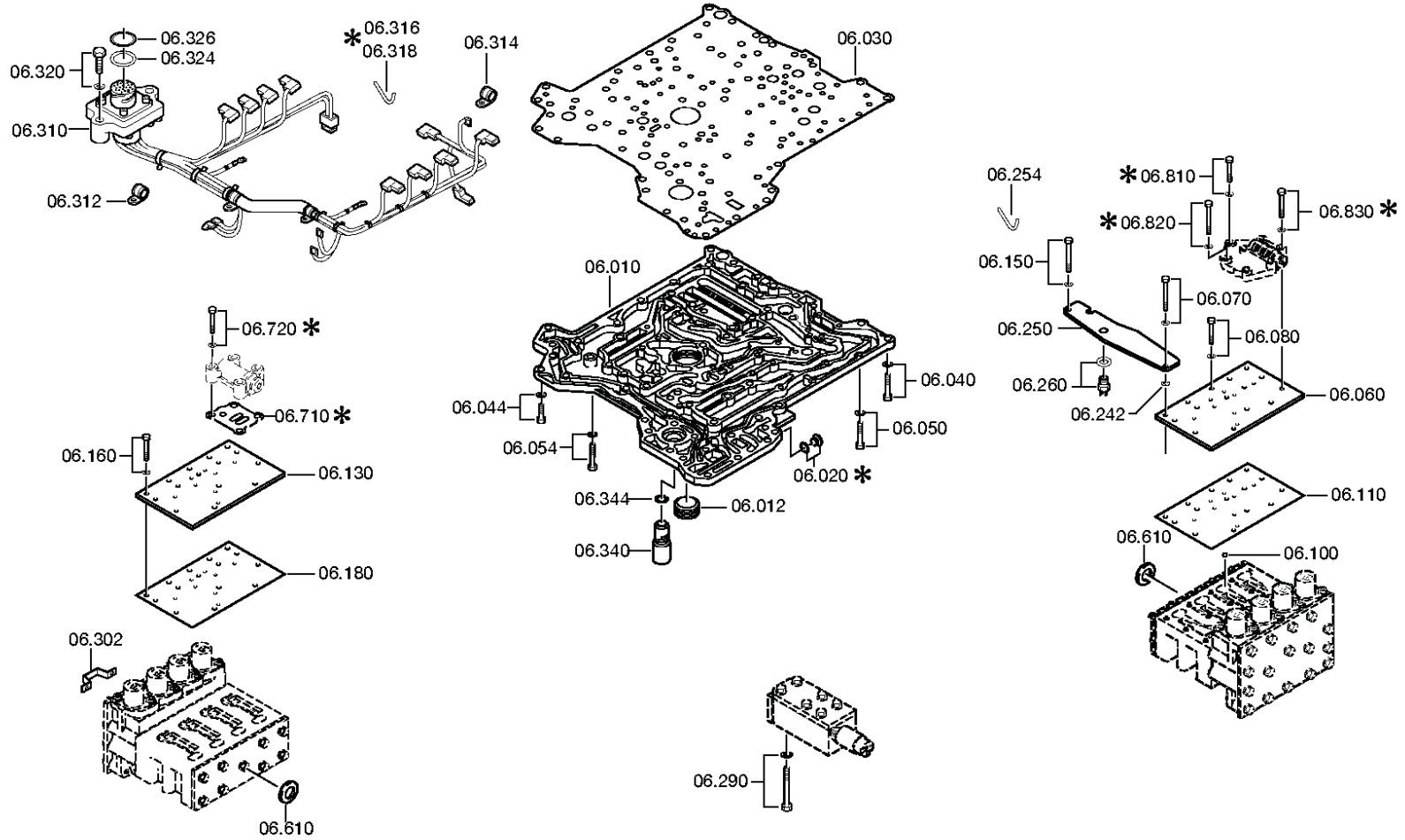
Pos.	Material number	Name	VKF	Amend. no.	Amend. start	Prod. no.	Material feature / tech. info.	OTK	External material no.	ID	Weight	SP
---	0730.003.300	WASHER	1		00.00.0000		A=3,00 IN 0730 003 298(2)			5	0,000	
---	0730.009.206	WASHER	1		00.00.0000		A=2,90 IN 0730 003 298(2)			5	0,007	
---	0730.003.299	WASHER	1		00.00.0000		A=2,80 IN 0730 003 298(2)			5	0,000	
---	0730.009.205	WASHER	1		00.00.0000		A=2,70 IN 0730 003 298(2)			5	0,006	
---	0730.002.061	WASHER	1		00.00.0000		A=2,60 IN 0730 003 298(2)			5	0,000	
---	0730.009.204	WASHER	1		00.00.0000		A=2,50 IN 0730 003 298(2)			5	0,005	
---	0730.002.062	WASHER	1		00.00.0000		A=2,40 IN 0730 003 298(2)			5	0,000	
---	0730.007.097	WASHER	1		00.00.0000		A=2,30 IN 0730 003 298(2)			5	0,005	
---	0730.002.063	WASHER	1		00.00.0000		A=2,20 IN 0730 003 298(2)			5	0,000	
---	0730.007.096	WASHER	1		00.00.0000		A=2,10 IN 0730 003 298(2)			5	0,004	
---	0730.002.064	WASHER	1		00.00.0000		A=2,00 IN 0730 003 298(2)			5	0,005	
---	0730.009.203	WASHER	1		00.00.0000		A=1,90 IN 0730 003 298(2)			5	0,004	
---	0730.002.065	WASHER	1		00.00.0000		A=1,80 IN 0730 003 298(2)			5	0,000	
---	0730.009.202	WASHER	1		00.00.0000		A=1,70 IN 0730 003 298(2)			5	0,004	
---	0730.002.066	WASHER	1		00.00.0000		A=1,60 IN 0730 003 298(2)			5	0,000	
---	0730.009.201	WASHER	1		00.00.0000		A=1,50 IN 0730 003 298(2)			5	0,033	
---	0730.002.067	WASHER	1		00.00.0000		A=1,40 IN 0730 003 298(2)			5	0,030	
---	0730.009.200	WASHER	1		00.00.0000		A=1,30 IN 0730 003 298(2)			5	0,003	
---	0730.002.068	WASHER	1		00.00.0000		A=1,20 IN 0730 003 298(2)			5	0,030	
---	0730.009.199	WASHER	1		00.00.0000		A=1,10 IN 0730 003 298(2)			5	0,002	
---	0730.002.069	WASHER	1		00.00.0000		A=1,00 IN 0730 003 298(2)			5	0,002	
---	0730.003.050	WASHER	1		00.00.0000		A=0,80 IN 0730 003 298(2)			5	0,001	
---	0730.003.049	WASHER	1		00.00.0000		A=0,60 IN 0730 003 298(2)			5	0,001	
400	4139.206.325	CABLE	1		00.00.0000					3	0,025	
410	4149.303.024	COVER	1		00.00.0000		INDUKTIVGEBER ABTRIEB			5	0,000	
420	0634.316.248	O-RING	1	4528D	15.04.2004	15.04.2004	40X3			5	0,000	
430	---	HEXAGON BOLT	2		00.00.0000		M6X22 ISO4017/10.9 A2C			3	0,000	
---	0636.015.489	HEXAGON BOLT	2		00.00.0000		M6X22			5	0,000	
---	0630.001.076	WASHER	2		00.00.0000					5	0,000	
440	4139.203.093	PLUG	1		00.00.0000		KPL.F			3	0,019	

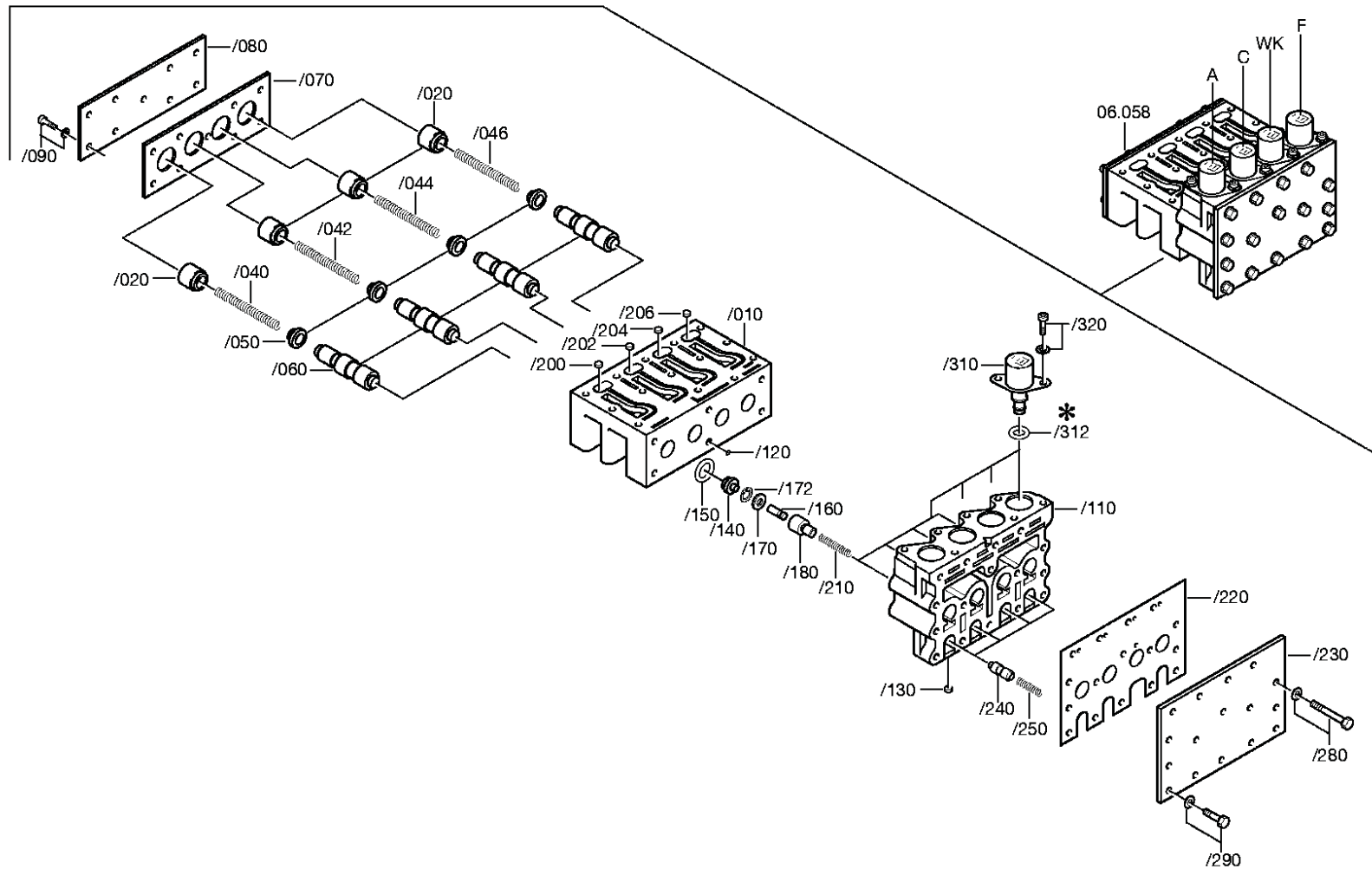
VKF Incidence factor

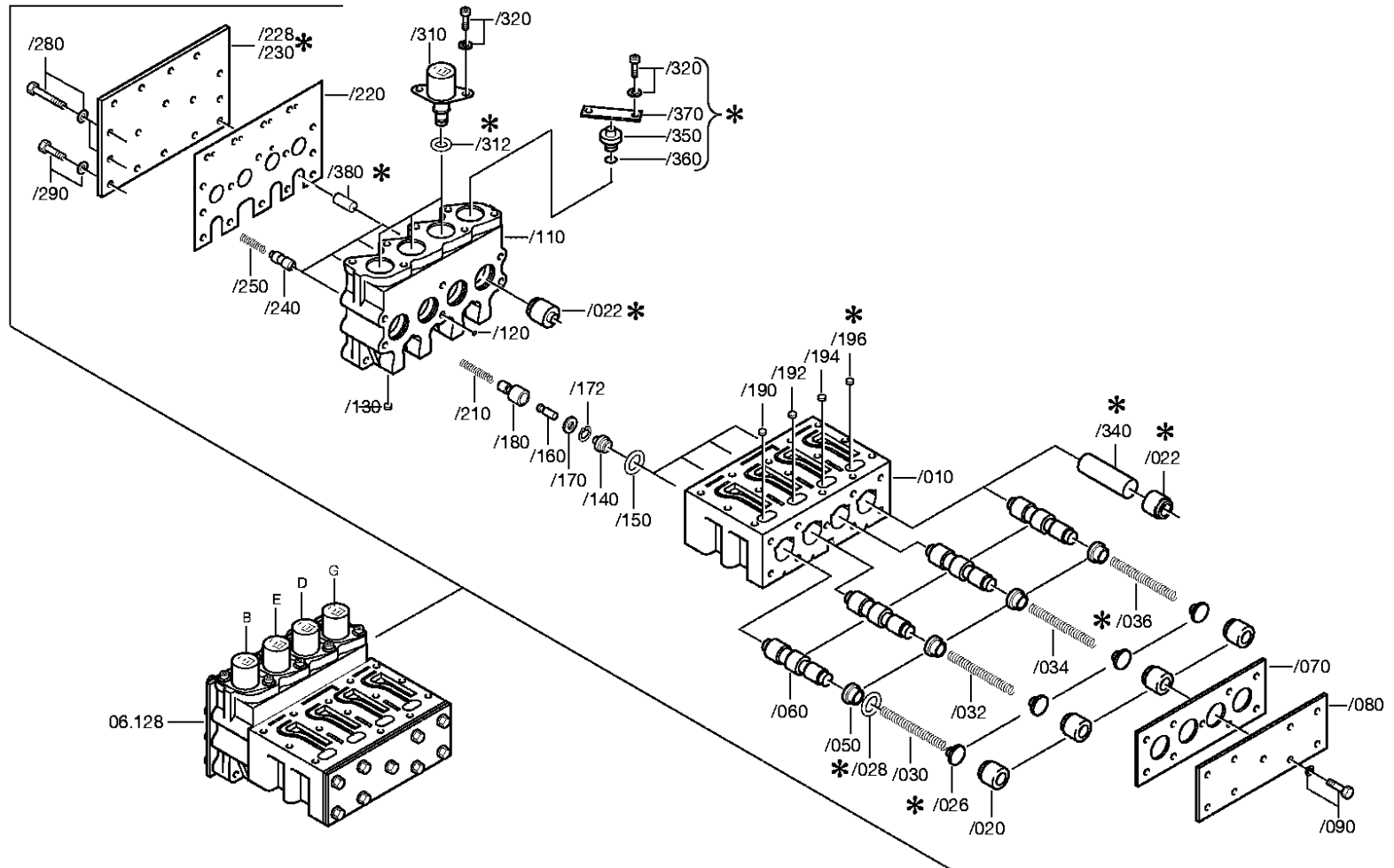
OTK Optional technical kit

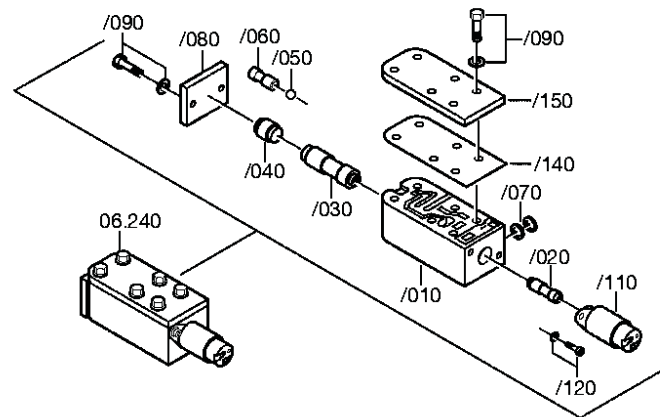
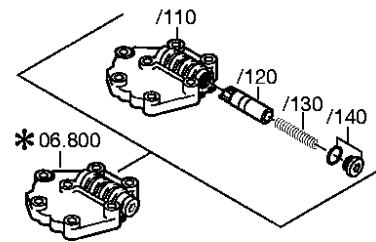
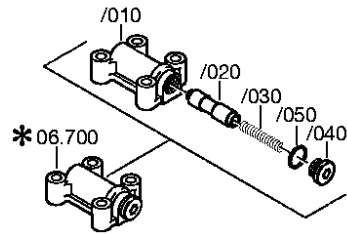
ID Identification (output code)

SP Supplier plant











Pos.	Material number	Name	VKF	Amend. no.	Amend. start	Prod. no.	Material feature / tech. info.	OTK	External material no.	ID	Weight	SP
10	4139.306.441	DUCT PLATE	1		00.00.0000		ENTHALT.IN 4139 306 444(0)			5	3,490	
12	---	SCREW PLUG	1		00.00.0000		M42X2 *100N.M*O. DICHTRG.			3	0,000	
---	0636.301.069	SCREW PLUG	1	1174C	31.01.2002	31.01.2002	M42X2			5	0,000	
30	4139.306.703	INTERMPLATE	1	79134	10.09.1997	10.09.1997	ENTHALT.IN 4139 306 478(0)			5	1,499	
40	---	HEXAGON BOLT	24	4327A	01.12.1998	01.12.1998	M8X45 ISO4014/8.8 A3C			3	0,000	
---	0636.010.471	HEXAGON BOLT	24		00.00.0000		M8X45			5	0,020	
---	0630.001.075	WASHER	24		00.00.0000					5	0,002	
44	---	HEXAGON BOLT	9		00.00.0000		M8X35 ISO4017/8.8 A3C			3	0,020	
---	0636.015.277	HEXAGON BOLT	9		00.00.0000		M8X35			5	0,017	
---	0630.001.075	WASHER	9		00.00.0000					5	0,002	
50	---	HEXAGON BOLT	5	4327A	01.12.1998	01.12.1998	M8X45 ISO4014/8.8 A3C			3	0,000	
---	0636.010.471	HEXAGON BOLT	5		00.00.0000		M8X45			5	0,020	
---	0630.001.075	WASHER	5		00.00.0000					5	0,002	
54	---	HEXAGON BOLT	1	4327A	01.12.1998	01.12.1998	M8X45 ISO4014/8.8 A3C			3	0,000	
---	0636.010.471	HEXAGON BOLT	1		00.00.0000		M8X45			5	0,020	
---	0630.001.075	WASHER	1		00.00.0000					5	0,002	
58	4139.206.614	VALVE BLOCK	1		00.00.0000		KPL.A*C*WK*F*12V*1P			3	0,000	
/10	4139.306.713	VALVE BLOCK	1	7129A	01.08.1999	01.08.1999	ENTHALT.IN 4139 306 711(0)			5	1,200	
/20	4149.306.153	PISTON	4	1461B	01.07.2000	01.07.2000				5	0,016	
/40	0732.041.148	COMPRSPRING	1		00.00.0000					5	0,020	
/42	0732.041.199	COMPRSPRING	1		00.00.0000					5	0,012	
/44	0732.041.148	COMPRSPRING	1		00.00.0000					5	0,020	
/46	0732.041.148	COMPRSPRING	1		00.00.0000					5	0,020	
/50	0730.009.221	WASHER	4	1461B	01.07.2000	01.07.2000	A=4,00 IN 0730 009 296(2)			5	0,009	
/60	4139.206.415	PISTON	4		00.00.0000		KPL.			3	0,033	
/70	4139.306.541	GASKET	1		00.00.0000					5	0,001	
/80	4139.306.001	COVER PLATE	1		00.00.0000					5	0,233	
/90	---	HEXAGON BOLT	9	6146A	01.12.1999	01.12.1999	M6X16 ISO4017/8.8 A3C			3	0,000	
---	0636.015.296	HEXAGON BOLT	9		00.00.0000		M6X16			5	0,005	
---	0630.001.076	WASHER	9		00.00.0000					5	0,000	
/110	4149.306.240	VALVE STRIP	1	9091E	15.01.2007	15.01.2007				5	0,000	
/120	0634.313.074	O-RING	1		00.00.0000		5X1,5			5	0,000	
/130	0635.460.004	BALL	12		00.00.0000		4			5	0,001	

VKF Incidence factor

OTK Optional technical kit

ID Identification (output code)

SP Supplier plant



Pos.	Material number	Name	VKF	Amend. no.	Amend. start	Prod. no.	Material feature / tech. info.	OTK	External material no.	ID	Weight	SP
/140	4139.306.219	BUSH	4		00.00.0000		ENTHALT.IN 4139 306 218(2)			5	0,024	
/150	0634.316.217	O-RING	4		00.00.0000		24X3			5	0,000	
/160	4139.306.217	PIN	4		00.00.0000					5	0,002	
/170	0730.002.769	WASHER	4		00.00.0000					5	0,002	
/172	0630.502.007	RETAINING RING	4		00.00.0000		20X1			5	0,001	
/180	4139.306.085	PISTON	4		00.00.0000					5	0,016	
/200	---	ORIFICE	1		00.00.0000		D=0,8			3	0,000	
---	0730.361.070	ORIFICE	1		00.00.0000		D=0,8 IN 0730 361 120(2)			5	0,001	
/202	---	ORIFICE	1		00.00.0000		D=0,7			3	0,000	
---	0730.361.078	ORIFICE	1		00.00.0000		D=0,7 IN 0730 361 120(2)			5	0,001	
/204	---	ORIFICE	1		00.00.0000		D=0,9			3	0,000	
---	0730.361.095	ORIFICE	1		00.00.0000		D=0,9 IN 0730 361 120(2)			5	0,001	
/206	---	ORIFICE	1		00.00.0000		D=0,8			3	0,000	
---	0730.361.070	ORIFICE	1		00.00.0000		D=0,8 IN 0730 361 120(2)			5	0,001	
/210	0732.041.374	COMPRSPRING	4		00.00.0000					5	0,002	
/220	4139.306.545	GASKET	1		00.00.0000					5	0,006	
/230	4139.306.125	COVER PLATE	1		00.00.0000					5	0,493	
/240	4149.306.068	PISTON	4	79386	01.03.1998	01.03.1998				5	0,004	
/250	0732.041.373	COMPRSPRING	4		00.00.0000					5	0,002	
/280	---	HEXAGON BOLT	5	6104A	01.12.1999	01.12.1999	M6X65 ISO4014/8.8 A3C			3	0,000	
---	0636.010.609	HEXAGON BOLT	5		00.00.0000		M6X65			5	0,000	
---	0630.001.076	WASHER	5		00.00.0000					5	0,000	
/290	---	HEXAGON BOLT	11		00.00.0000		M6X18 ISO4017/8.8 A3C			3	0,000	
---	0636.015.371	HEXAGON BOLT	11		00.00.0000		M6X18			5	0,006	
---	0630.001.076	WASHER	11		00.00.0000					5	0,000	
/310	0501.311.283	SOLENOID VALVE	4		00.00.0000					5	0,340	
/10	0634.314.396	O-RING	1		00.00.0000		21X1,5			5	0,000	
/20	0634.314.427	O-RING	1		00.00.0000		13X1,5			5	0,000	
/320	---	CAP SCREW	8		00.00.0000		M5X12 ISO4762/8.8 A3C			3	0,000	
---	0636.101.651	CAP SCREW	8		00.00.0000		M5X12			5	0,000	
---	0630.001.096	WASHER	8		00.00.0000					5	0,000	
60	4139.306.534	COVER PLATE	1		00.00.0000		ENTHALT.IN 4139 306 177(1)			5	0,789	
70	---	HEXAGON BOLT	1	6064A	01.08.1999	01.08.1999	M6X70 ISO4014/8.8 A3C			3	0,000	
---	0636.010.675	HEXAGON BOLT	1		00.00.0000		M6X70			5	0,000	

VKF Incidence factor

OTK Optional technical kit

ID Identification (output code)

SP Supplier plant



Pos.	Material number	Name	VKF	Amend. no.	Amend. start	Prod. no.	Material feature / tech. info.	OTK	External material no.	ID	Weight	SP
---	0630.001.076	WASHER	1		00.00.0000					5	0,000	
80	---	HEXAGON BOLT	14	6101A	01.09.1999	01.09.1999	M6X60 ISO4014/8.8 A3C			3	0,000	
---	0636.010.559	HEXAGON BOLT	14		00.00.0000		M6X60			5	0,000	
---	0630.001.076	WASHER	14		00.00.0000					5	0,000	
100	0635.460.077	BALL	1		00.00.0000		5			5	0,000	
110	4139.306.543	GASKET	1		00.00.0000					5	0,012	
128	4139.206.612	VALVE BLOCK	1		00.00.0000		KPL.B*E*D *12V*1P			3	0,000	
/10	4139.306.712	VALVE BLOCK	1	7128A	01.07.1999	01.07.1999	ENTHALT.IN 4139 306 711(0)			5	1,086	
/20	4149.306.153	PISTON	3	1461B	01.07.2000	01.07.2000				5	0,016	
/22	4139.306.429	PISTON	2		00.00.0000					5	0,039	
/28	0630.001.049	WASHER	1	79134	10.09.1997	10.09.1997				5	0,000	
/30	0732.041.357	COMPRSPRING	1		00.00.0000					5	0,015	
/32	0732.041.199	COMPRSPRING	1		00.00.0000					5	0,012	
/34	0732.041.199	COMPRSPRING	1		00.00.0000					5	0,012	
/50	0730.009.221	WASHER	3	1461B	01.07.2000	01.07.2000	A=4,00 IN 0730 009 296(2)			5	0,009	
/60	4139.206.415	PISTON	3		00.00.0000		KPL.			3	0,033	
/70	4139.306.541	GASKET	1		00.00.0000					5	0,001	
/80	4139.306.001	COVER PLATE	1		00.00.0000					5	0,233	
/90	---	HEXAGON BOLT	9	6146A	01.12.1999	01.12.1999	M6X16 ISO4017/8.8 A3C			3	0,000	
---	0636.015.296	HEXAGON BOLT	9		00.00.0000		M6X16			5	0,005	
---	0630.001.076	WASHER	9		00.00.0000					5	0,000	
/110	4149.306.240	VALVE STRIP	1	9091E	15.01.2007	15.01.2007				5	0,000	
/120	0634.313.074	O-RING	1		00.00.0000		5X1,5			5	0,000	
/130	0635.460.004	BALL	12	4800B	19.09.2000	19.09.2000	4			5	0,001	
/140	4139.306.219	BUSH	3		00.00.0000		ENTHALT.IN 4139 306 218(2)			5	0,024	
/150	0634.316.217	O-RING	3		00.00.0000		24X3			5	0,000	
/160	4139.306.217	PIN	3		00.00.0000					5	0,002	
/170	0730.002.769	WASHER	3		00.00.0000					5	0,002	
/172	0630.502.007	RETAINING RING	3		00.00.0000		20X1			5	0,001	
/180	4139.306.085	PISTON	3		00.00.0000					5	0,016	
/190	---	ORIFICE	1		00.00.0000		D=0,8			3	0,000	
---	0730.361.070	ORIFICE	1		00.00.0000		D=0,8 IN 0730 361 120(2)			5	0,001	
/192	---	ORIFICE	1		00.00.0000		D=0,8			3	0,000	
---	0730.361.070	ORIFICE	1		00.00.0000		D=0,8 IN 0730 361 120(2)			5	0,001	

VKF Incidence factor

OTK Optional technical kit

ID Identification (output code)

SP Supplier plant



Pos.	Material number	Name	VKF	Amend. no.	Amend. start	Prod. no.	Material feature / tech. info.	OTK	External material no.	ID	Weight	SP
/194	---	ORIFICE	1		00.00.0000		D=0,8			3	0,000	
---	0730.361.070	ORIFICE	1		00.00.0000		D=0,8 IN 0730 361 120(2)			5	0,001	
/210	0732.041.374	COMPRSPRING	3		00.00.0000					5	0,002	
/220	4139.306.545	GASKET	1		00.00.0000					5	0,006	
/230	4139.306.125	COVER PLATE	1		00.00.0000					5	0,493	
/240	4149.306.068	PISTON	3	79386	01.03.1998	01.03.1998				5	0,004	
/250	0732.041.373	COMPRSPRING	3		00.00.0000					5	0,002	
/280	---	HEXAGON BOLT	5	6104A	01.12.1999	01.12.1999	M6X65 ISO4014/8.8 A3C			3	0,000	
---	0636.010.609	HEXAGON BOLT	5		00.00.0000		M6X65			5	0,000	
---	0630.001.076	WASHER	5		00.00.0000					5	0,000	
/290	---	HEXAGON BOLT	11		00.00.0000		M6X18 ISO4017/8.8 A3C			3	0,000	
---	0636.015.371	HEXAGON BOLT	11		00.00.0000		M6X18			5	0,006	
---	0630.001.076	WASHER	11		00.00.0000					5	0,000	
/310	0501.311.283	SOLENOID VALVE	3		00.00.0000					5	0,340	
/10	0634.314.396	O-RING	1		00.00.0000		21X1,5			5	0,000	
/20	0634.314.427	O-RING	1		00.00.0000		13X1,5			5	0,000	
/320	---	CAP SCREW	8		00.00.0000		M5X12 ISO4762/8.8 A3C			3	0,000	
---	0636.101.651	CAP SCREW	8		00.00.0000		M5X12			5	0,000	
---	0630.001.096	WASHER	8		00.00.0000					5	0,000	
/340	4139.306.040	PIN	1		00.00.0000					5	0,138	
/350	4139.306.039	PIN	1		00.00.0000					5	0,052	
/360	0634.314.427	O-RING	1		00.00.0000		13X1,5			5	0,000	
/370	4182.306.014	SHACKLE	1	Z0000151 7610	22.02.2008	22.02.2008				5	0,000	
130	4139.306.535	COVER PLATE	1		00.00.0000		ENTHALT.IN 4139 306 177(1)			5	0,793	
150	---	HEXAGON BOLT	1	6064A	01.08.1999	01.08.1999	M6X70 ISO4014/8.8 A3C			3	0,000	
---	0636.010.675	HEXAGON BOLT	1		00.00.0000		M6X70			5	0,000	
---	0630.001.076	WASHER	1		00.00.0000					5	0,000	
160	---	HEXAGON BOLT	14	6101A	01.09.1999	01.09.1999	M6X60 ISO4014/8.8 A3C			3	0,000	
---	0636.010.559	HEXAGON BOLT	14		00.00.0000		M6X60			5	0,000	
---	0630.001.076	WASHER	14		00.00.0000					5	0,000	
180	4139.306.543	GASKET	1		00.00.0000					5	0,012	
240	4139.206.603	THROTTLE VALVE	1		00.00.0000		KPL.12V			3	1,416	
/10	4139.306.580	VALVE HOUSING	1		00.00.0000					5	0,476	

VKF Incidence factor

OTK Optional technical kit

ID Identification (output code)

SP Supplier plant



Pos.	Material number	Name	VKF	Amend. no.	Amend. start	Prod. no.	Material feature / tech. info.	OTK	External material no.	ID	Weight	SP
/20	4139.306.582	PISTON	1		00.00.0000					5	0,006	
/30	4139.306.490	PISTON	1		00.00.0000					5	0,018	
/40	4139.306.491	PISTON	1		00.00.0000					5	0,009	
/50	0635.460.303	BALL	1		00.00.0000		9,525			5	0,000	
/60	4139.306.493	PISTON	1		00.00.0000					5	0,004	
/70	0750.131.038	FILTER	2		00.00.0000		WTB			3	0,006	
/80	4139.306.013	PLATE	1		00.00.0000					5	0,072	
/90	---	HEXAGON BOLT	8		00.00.0000		M6X18 ISO4017/8.8 A3C			3	0,000	
---	0636.015.371	HEXAGON BOLT	8		00.00.0000		M6X18			5	0,006	
---	0630.001.076	WASHER	8		00.00.0000					5	0,000	
/110	0501.311.746	MAGNET	1		00.00.0000		12V			5	0,393	
/120	---	CAP SCREW	2		00.00.0000		M5X16 ISO4762/8.8 A3C			3	0,000	
---	0636.101.696	CAP SCREW	2		00.00.0000		M5X16			5	0,000	
---	0630.001.096	WASHER	2		00.00.0000					5	0,000	
/140	4139.306.516	GASKET	1		00.00.0000					5	0,004	
/150	4139.306.515	PLATE	1		00.00.0000					5	0,217	
242	6007.303.086	WASHER	2		00.00.0000					5	0,004	
250	4139.306.550	FIXING PLATE	1		00.00.0000					5	0,130	
254	0501.317.817	CABLE CLIP	2	5686A	01.04.1999	01.04.1999				5	0,001	
260	---	INDTRANSMITTER	1		00.00.0000		* 50N.M*SCHEIBE			3	0,000	
---	0501.306.211	INDTRANSMITTER	1		00.00.0000					5	0,000	
---	---	WASHER	1		00.00.0000		WTB 0730 003 298(2)-A= 0,60-4,00(ABSTUFUNG:0,10MM)			3	0,000	
---	0730.009.216	WASHER	1		00.00.0000		A=4,00 IN 0730 003 298(2)			5	0,009	
---	0730.009.215	WASHER	1		00.00.0000		A=3,90 IN 0730 003 298(2)			5	0,009	
---	0730.009.214	WASHER	1		00.00.0000		A=3,80 IN 0730 003 298(2)			5	0,009	
---	0730.009.213	WASHER	1		00.00.0000		A=3,70 IN 0730 003 298(2)			5	0,008	
---	0730.009.212	WASHER	1		00.00.0000		A=3,60 IN 0730 003 298(2)			5	0,008	
---	0730.009.211	WASHER	1		00.00.0000		A=3,50 IN 0730 003 298(2)			5	0,008	
---	0730.009.210	WASHER	1		00.00.0000		A=3,40 IN 0730 003 298(2)			5	0,008	
---	0730.009.209	WASHER	1		00.00.0000		A=3,30 IN 0730 003 298(2)			5	0,007	
---	0730.009.208	WASHER	1		00.00.0000		A=3,20 IN 0730 003 298(2)			5	0,007	
---	0730.009.207	WASHER	1		00.00.0000		A=3,10 IN 0730 003 298(2)			5	0,007	
---	0730.003.300	WASHER	1		00.00.0000		A=3,00 IN 0730 003 298(2)			5	0,000	

VKF Incidence factor

OTK Optional technical kit

ID Identification (output code)

SP Supplier plant



Pos.	Material number	Name	VKF	Amend. no.	Amend. start	Prod. no.	Material feature / tech. info.	OTK	External material no.	ID	Weight	SP
---	0730.009.206	WASHER	1		00.00.0000		A=2,90 IN 0730 003 298(2)			5	0,007	
---	0730.003.299	WASHER	1		00.00.0000		A=2,80 IN 0730 003 298(2)			5	0,000	
---	0730.009.205	WASHER	1		00.00.0000		A=2,70 IN 0730 003 298(2)			5	0,006	
---	0730.002.061	WASHER	1		00.00.0000		A=2,60 IN 0730 003 298(2)			5	0,000	
---	0730.009.204	WASHER	1		00.00.0000		A=2,50 IN 0730 003 298(2)			5	0,005	
---	0730.002.062	WASHER	1		00.00.0000		A=2,40 IN 0730 003 298(2)			5	0,000	
---	0730.007.097	WASHER	1		00.00.0000		A=2,30 IN 0730 003 298(2)			5	0,005	
---	0730.002.063	WASHER	1		00.00.0000		A=2,20 IN 0730 003 298(2)			5	0,000	
---	0730.007.096	WASHER	1		00.00.0000		A=2,10 IN 0730 003 298(2)			5	0,004	
---	0730.002.064	WASHER	1		00.00.0000		A=2,00 IN 0730 003 298(2)			5	0,005	
---	0730.009.203	WASHER	1		00.00.0000		A=1,90 IN 0730 003 298(2)			5	0,004	
---	0730.002.065	WASHER	1		00.00.0000		A=1,80 IN 0730 003 298(2)			5	0,000	
---	0730.009.202	WASHER	1		00.00.0000		A=1,70 IN 0730 003 298(2)			5	0,004	
---	0730.002.066	WASHER	1		00.00.0000		A=1,60 IN 0730 003 298(2)			5	0,000	
---	0730.009.201	WASHER	1		00.00.0000		A=1,50 IN 0730 003 298(2)			5	0,033	
---	0730.002.067	WASHER	1		00.00.0000		A=1,40 IN 0730 003 298(2)			5	0,030	
---	0730.009.200	WASHER	1		00.00.0000		A=1,30 IN 0730 003 298(2)			5	0,003	
---	0730.002.068	WASHER	1		00.00.0000		A=1,20 IN 0730 003 298(2)			5	0,030	
---	0730.009.199	WASHER	1		00.00.0000		A=1,10 IN 0730 003 298(2)			5	0,002	
---	0730.002.069	WASHER	1		00.00.0000		A=1,00 IN 0730 003 298(2)			5	0,002	
---	0730.003.050	WASHER	1		00.00.0000		A=0,80 IN 0730 003 298(2)			5	0,001	
---	0730.003.049	WASHER	1		00.00.0000		A=0,60 IN 0730 003 298(2)			5	0,001	
290	---	HEXAGON BOLT	6	6059A	01.08.1999	01.08.1999	M6X45 ISO4014/8.8 A3C			3	0,000	
---	0636.010.590	HEXAGON BOLT	6		00.00.0000		M6X45			5	0,000	
---	0630.001.076	WASHER	6		00.00.0000					5	0,000	
302	4139.306.284	SHACKLE	1		00.00.0000					5	0,003	
310	4139.206.733	WIRING HARNESS	1		00.00.0000		KPL.			3	0,328	
312	4139.306.446	CLAMP	2		00.00.0000					5	0,004	
314	4139.306.446	CLAMP	1		00.00.0000					5	0,004	
316	0501.317.817	CABLE CLIP	1	5686A	01.04.1999	01.04.1999				5	0,001	
318	0501.317.817	CABLE CLIP	1	5686A	01.04.1999	01.04.1999				5	0,001	
320	---	HEXAGON BOLT	2		00.00.0000		M8X28 ISO4017/8.8 A3C			3	0,000	
---	0636.015.411	HEXAGON BOLT	2		00.00.0000		M8X28			5	0,000	
---	0630.001.075	WASHER	2		00.00.0000					5	0,002	

VKF Incidence factor

OTK Optional technical kit

ID Identification (output code)

SP Supplier plant



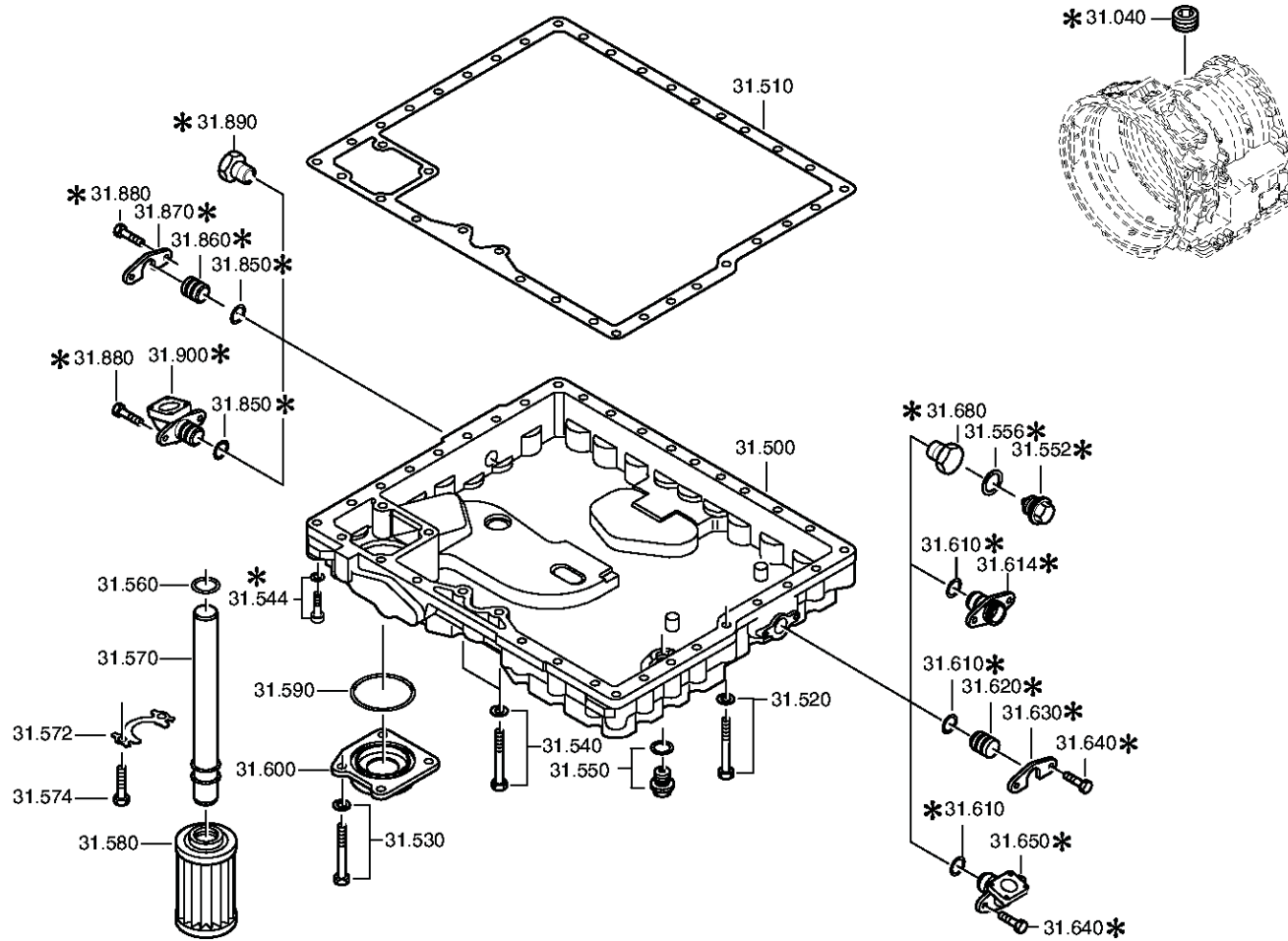
Pos.	Material number	Name	VKF	Amend. no.	Amend. start	Prod. no.	Material feature / tech. info.	OTK	External material no.	ID	Weight	SP
324	0730.150.553	WASHER	1		00.00.0000		A=1,20			5	0,001	
326	0634.313.847	O-RING	1	0010B	01.12.2000	01.12.2000	34X3			5	0,000	
340	4139.206.546	CONVERTER VALVE	1		00.00.0000		KPL.			3	0,108	
344	0630.513.205	SNAP RING	1		00.00.0000					5	0,000	
610	4139.306.673	MAGNET	4		00.00.0000					5	0,012	

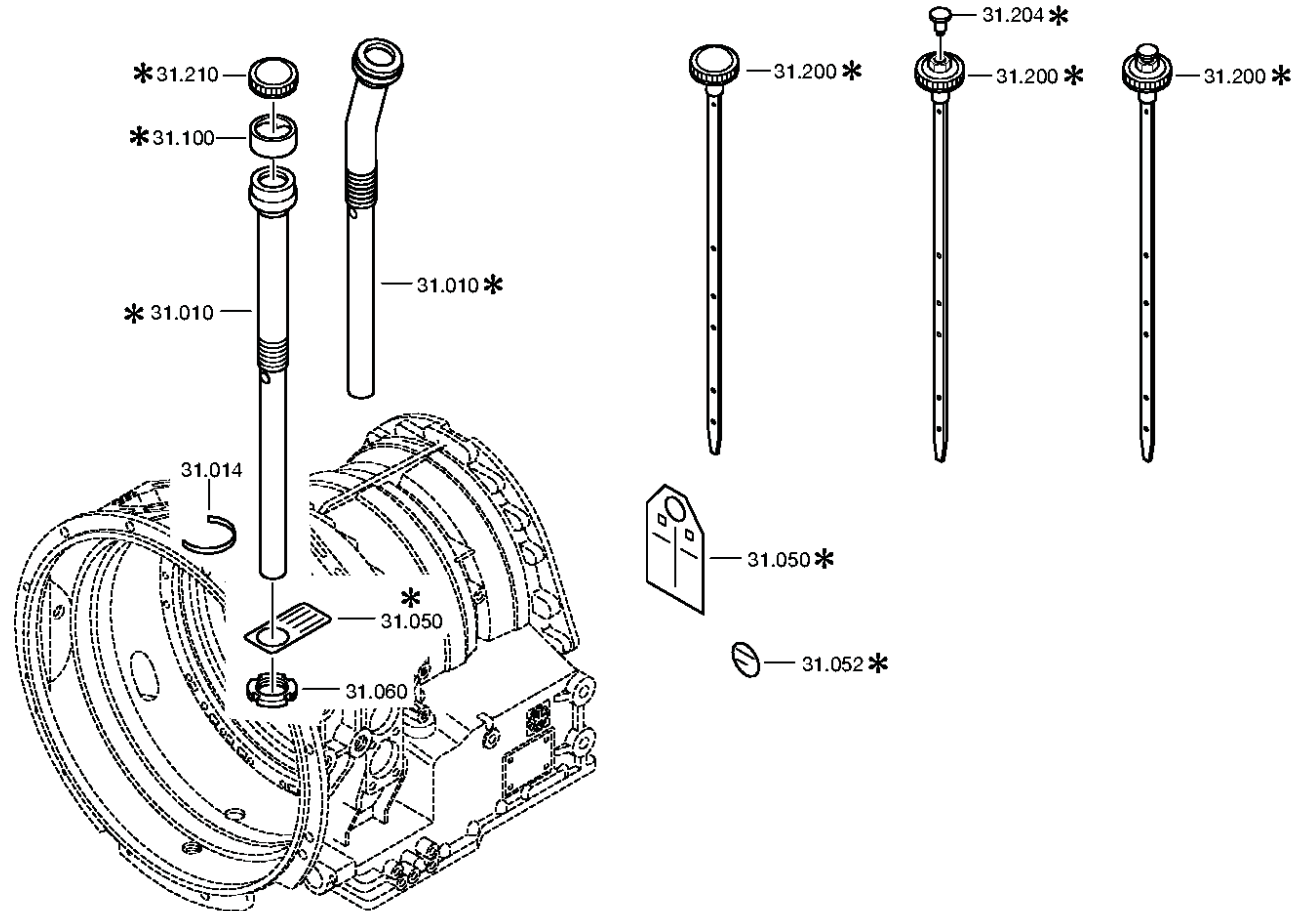
VKF Incidence factor

OTK Optional technical kit

ID Identification (output code)

SP Supplier plant







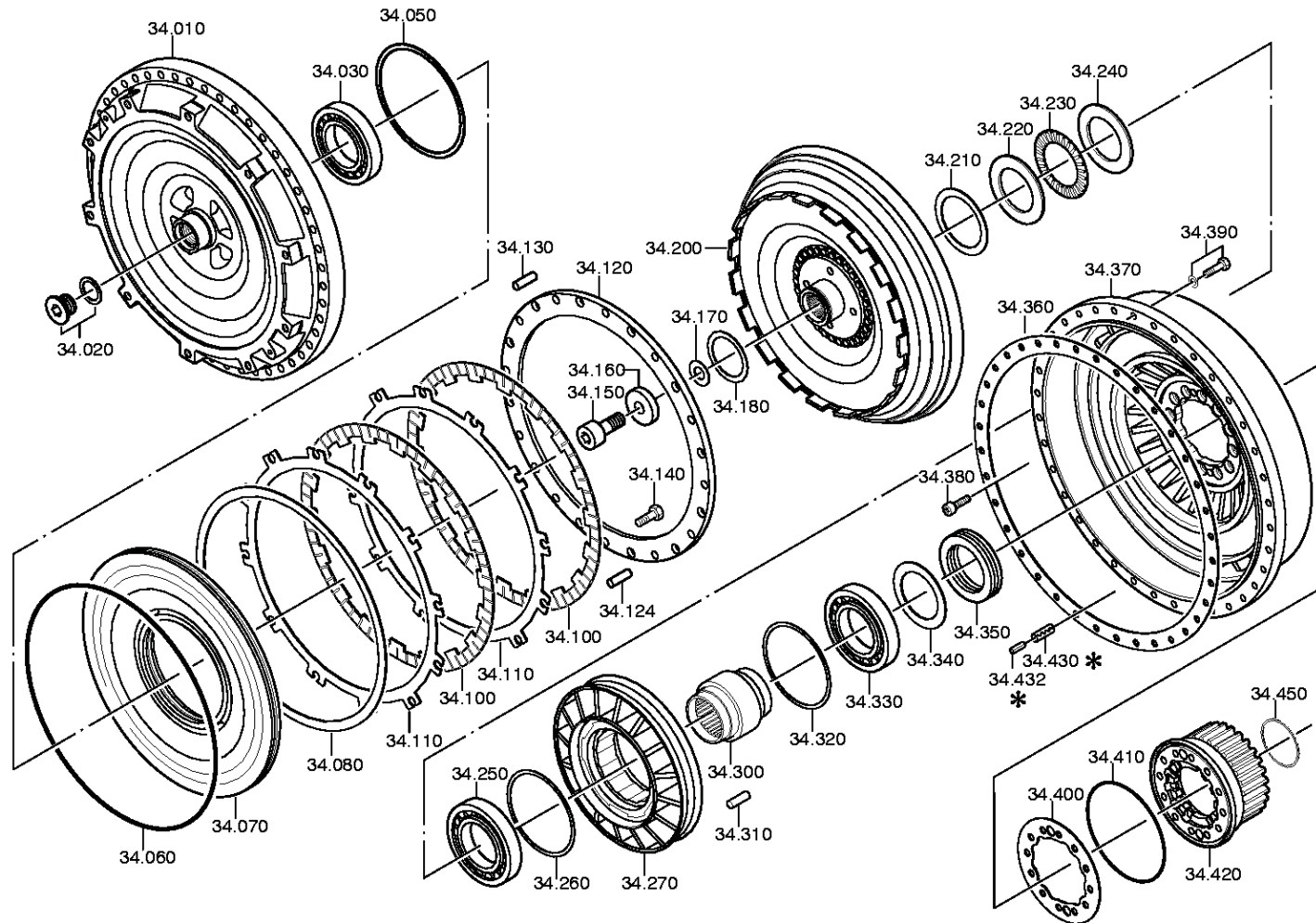
Pos.	Material number	Name	VKF	Amend. no.	Amend. start	Prod. no.	Material feature / tech. info.	OTK	External material no.	ID	Weight	SP
10	4139.231.030	FILLER TUBE	1		00.00.0000		KPL. IN 4139 231 033(2)			3	0,534	
14	0634.307.728	SEALING TAPE	300		00.00.0000					5	0,015	
50	0501.309.993	TAG	1		00.00.0000					5	0,006	
60	---	SLOTTED NUT	1		00.00.0000		M30X1,5KM6 DIN981 A3C			3	0,000	
---	0637.513.003	SLOTTED NUT	1		00.00.0000		M30X1,5			5	0,000	
200	0501.214.852	OIL DIPSTICK	1	1314E	31.05.2005	31.05.2005	KPL. *HUNGER 1780-03-00			5	0,000	
500	4139.331.132	OIL SUMP	1		00.00.0000		ENTHALT.IN 4139 331 142(0)			5	8,300	
510	4139.301.579	GASKET	1		00.00.0000					5	0,019	
520	---	HEXAGON BOLT	25		00.00.0000		M8X60 ISO4014/8.8 A3C			3	0,000	
---	0636.010.375	HEXAGON BOLT	25		00.00.0000		M8X60			5	0,028	
---	0630.001.075	WASHER	25		00.00.0000					5	0,002	
530	---	HEXAGON BOLT	10		00.00.0000		M8X80 ISO4014/8.8 A3C			3	0,000	
---	0636.010.548	HEXAGON BOLT	10		00.00.0000		M8X80			5	0,000	
---	0630.001.075	WASHER	10		00.00.0000					5	0,002	
540	---	HEXAGON BOLT	2		00.00.0000		M8X60 ISO4014/8.8 A3C			3	0,000	
---	0636.010.375	HEXAGON BOLT	2		00.00.0000		M8X60			5	0,028	
---	0634.803.003	SEALING RING	2		00.00.0000		8X15X1			5	0,000	
550	---	SCREW PLUG	1	3642B	01.10.2000	01.10.2000	M22X1,5 * 50N.M* DICHTRING			3	0,000	
---	0736.305.210	SCREW PLUG	1		00.00.0000		M22X1,5			5	0,050	
---	0634.801.074	SEALING RING	1		00.00.0000		22X27			5	0,002	
560	0634.313.354	O-RING	1		00.00.0000		34X5			5	0,000	
570	4139.331.127	SUCTION TUBE	1		00.00.0000					5	0,149	
572	4139.301.617	TAB WASHER	1		00.00.0000					5	0,010	
574	---	HEXAGON BOLT	2		00.00.0000		M8X18 ISO4017/8.8 A3C			3	0,000	
---	0636.015.225	HEXAGON BOLT	2		00.00.0000		M8X18			5	0,012	
580	0750.131.003	SCREEN INSERT	1		00.00.0000					3	0,203	
590	0634.313.018	O-RING	1		00.00.0000		82X3			5	0,000	
600	4139.331.145	COVER	1		00.00.0000					5	0,215	
680	---	SCREW PLUG	1		00.00.0000		16P50N-S			3	0,000	
---	0636.309.015	SCREW PLUG	1		00.00.0000					5	0,000	
890	---	SCREW PLUG	1		00.00.0000		16P50N-S			3	0,000	
---	0636.309.015	SCREW PLUG	1		00.00.0000					5	0,000	

VKF Incidence factor

OTK Optional technical kit

ID Identification (output code)

SP Supplier plant





Pos.	Material number	Name	VKF	Amend. no.	Amend. start	Prod. no.	Material feature / tech. info.	OTK	External material no.	ID	Weight	SP
10	4166.336.338	CIRCUIT COVER	1		00.00.0000		IN 4166 336 420 FA.ZFF GG-35 WW.WERKST.			5	27	
20	---	SCREW PLUG	1		00.00.0000		M33X2 *200N.M* DICHTRING			3	0,157	
---	0636.302.099	SCREW PLUG	1		00.00.0000		M33X2			5	0,000	
---	0634.801.227	SEALING RING	1		00.00.0000		33X39			5	0,005	
30	0750.116.266	BALL BEARING	1		00.00.0000		WTB 16010-JC3 DIN625			3	0,176	
50	0634.305.089	PISTON RING	1		00.00.0000		140X149X2			5	0,000	
60	0634.305.093	PISTON RING	1		00.00.0000		320X332X2,5			5	0,000	
70	4166.336.378	PLATE PISTON	1		00.00.0000		IN 4166 336 328 GK-ALSI10MGWA *			5	0,000	
80	0750.106.074	CUP SPRING	1		00.00.0000		WTB			3	0,312	
100	4166.236.134	ICLUTCH DISC	2	2892B	01.06.2000	01.06.2000	ZFF			5	0,252	
110	---	OCLUTCH DISC	2		00.00.0000		WTB 4139 334 004(1)-A= 3,50-4,00(ABSTUFUNG:0,50MM)			3	0,000	
---	4139.334.005	OCLUTCH DISC	2		00.00.0000		A=4,00 IN 4139 334 004(1)			5	0,637	
---	4139.334.006	OCLUTCH DISC	2		00.00.0000		A=3,50 IN 4139 334 004(1)			5	0,000	
120	4166.336.130	END SHIM	1		00.00.0000		IN 4166 336 221 C45 A ZFN412			5	0,000	
124	0735.470.077	ROLLER	4		00.00.0000		10,0X32,0			5	0,000	
130	0735.470.077	ROLLER	8		00.00.0000		10,0X32,0			5	0,000	
140	---	HEXAGON BOLT	12		00.00.0000		M8X25 ISO4017/10.9 A3C			3	0,000	
---	0636.015.416	HEXAGON BOLT	12		00.00.0000		M8X25			5	0,014	
150	---	CAP SCREW	1		00.00.0000		M16			3	0,000	
---	0736.101.046	CAP SCREW	1		00.00.0000		M16			5	0,068	
160	0730.160.920	WASHER	1		00.00.0000					5	0,080	
170	---	WASHER	1		00.00.0000		WTB 0730 005 591(2)-A= 1,00-2,60(ABSTUFUNG:0,17MM)			3	0,000	
---	0730.005.601	WASHER	1		00.00.0000		A=2,60 IN 0730 005 591(2)			5	0,014	
---	0730.005.600	WASHER	1		00.00.0000		A=2,50 IN 0730 005 591(2)			5	0,013	
---	0730.005.599	WASHER	1		00.00.0000		A=2,00 IN 0730 005 591(2)			5	0,010	
---	0730.005.598	WASHER	1		00.00.0000		A=1,90 IN 0730 005 591(2)			5	0,010	
---	0730.005.597	WASHER	1		00.00.0000		A=1,80 IN 0730 005 591(2)			5	0,009	
---	0730.005.596	WASHER	1		00.00.0000		A=1,70 IN 0730 005 591(2)			5	0,009	
---	0730.005.595	WASHER	1		00.00.0000		A=1,50 IN 0730 005 591(2)			5	0,007	
---	0730.005.594	WASHER	1		00.00.0000		A=1,20 IN 0730 005 591(2)			5	0,006	

VKF Incidence factor

OTK Optional technical kit

ID Identification (output code)

SP Supplier plant



Pos.	Material number	Name	VKF	Amend. no.	Amend. start	Prod. no.	Material feature / tech. info.	OTK	External material no.	ID	Weight	SP
---	0730.005.593	WASHER	1		00.00.0000		A=1,10 IN 0730 005 591(2)			5	0,006	
---	0730.005.592	WASHER	1		00.00.0000		A=1,00 IN 0730 005 591(2)			5	0,010	
180	0634.402.140	R-RING	1		00.00.0000		50X2,5			5	0,000	
200	4166.236.128	TURBINE WHEEL	1	78980	01.09.1997	01.09.1997	KPL. IN 4166 236 083(1)			5	5,889	
210	---	SHIM RING	2		00.00.0000		WTB -A= 1,00- 2,00(ABSTUFUNG:0,10MM)			3	0,000	
---	0630.004.127	SHIM RING	2		00.00.0000		70X90X2			5	0,000	
---	0630.004.159	SHIM RING	2		00.00.0000		70X90X1,9			5	0,000	
---	0630.004.158	SHIM RING	2		00.00.0000		70X90X1,8			5	0,000	
---	0630.004.157	SHIM RING	2		00.00.0000		70X90X1,7			5	0,000	
---	0630.004.156	SHIM RING	2		00.00.0000		70X90X1,6			5	0,000	
---	0630.004.155	SHIM RING	2		00.00.0000		70X90X1,5			5	0,000	
---	0630.004.154	SHIM RING	2		00.00.0000		70X90X1,4			5	0,000	
---	0630.004.153	SHIM RING	2		00.00.0000		70X90X1,3			5	0,000	
---	0630.004.152	SHIM RING	2		00.00.0000		70X90X1,2			5	0,000	
---	0630.004.151	SHIM RING	2		00.00.0000		70X90X1,1			5	0,000	
---	0630.000.219	SHIM RING	2		00.00.0000		70X90X1			5	0,000	
220	0635.900.521	HOUSING DISC	1		00.00.0000		67X90X5,25			5	0,000	
230	0635.900.523	AXNEEDLE CAGE	1		00.00.0000		65X90X3			5	0,000	
240	0635.900.522	SHAFT PLATE	1		00.00.0000		65X90X5,25			5	0,000	
250	0635.900.277	BALL BEARING	1		00.00.0000		70X110X13			5	0,000	
260	0635.290.051	AXIAL WASHER	1		00.00.0000		85X110X1			5	0,000	
270	4166.236.121	STATOR	1		00.00.0000		KPL.			5	3,600	
300	4166.336.059	FREE WHEEL RING	1		00.00.0000		ZFF			5	0,896	
310	0735.470.101	ROLLER	16		00.00.0000		10,0X30,0 FA.INA			5	0,018	
320	0635.290.051	AXIAL WASHER	1		00.00.0000		85X110X1			5	0,000	
330	0635.900.277	BALL BEARING	1		00.00.0000		70X110X13			5	0,000	
340	0630.000.199	SHIM RING	1		00.00.0000		65X85X0,5			5	0,000	
350	0735.368.012	AXROLLER BEAR	1		00.00.0000		65,0X90,0X18,0 FA.INA			5	0,310	
360	4166.336.373	GASKET	1		00.00.0000		FA.ZFF			5	0,013	
370	4166.336.332	PUMP WHEEL	1		00.00.0000		ENTHALT.IN 4166 336 277(0)			5	8,196	
380	---	TORX SCREW	12		00.00.0000		M8X28 POWERLOK			3	0,000	
---	0750.108.053	TORX SCREW	12		00.00.0000		WTB M8X28 POWERLOK			3	0,016	
390	---	CAP SCREW	36		00.00.0000		M8X32 ISO4762/10.9 A3C			3	0,000	

VKF Incidence factor

OTK Optional technical kit

ID Identification (output code)

SP Supplier plant



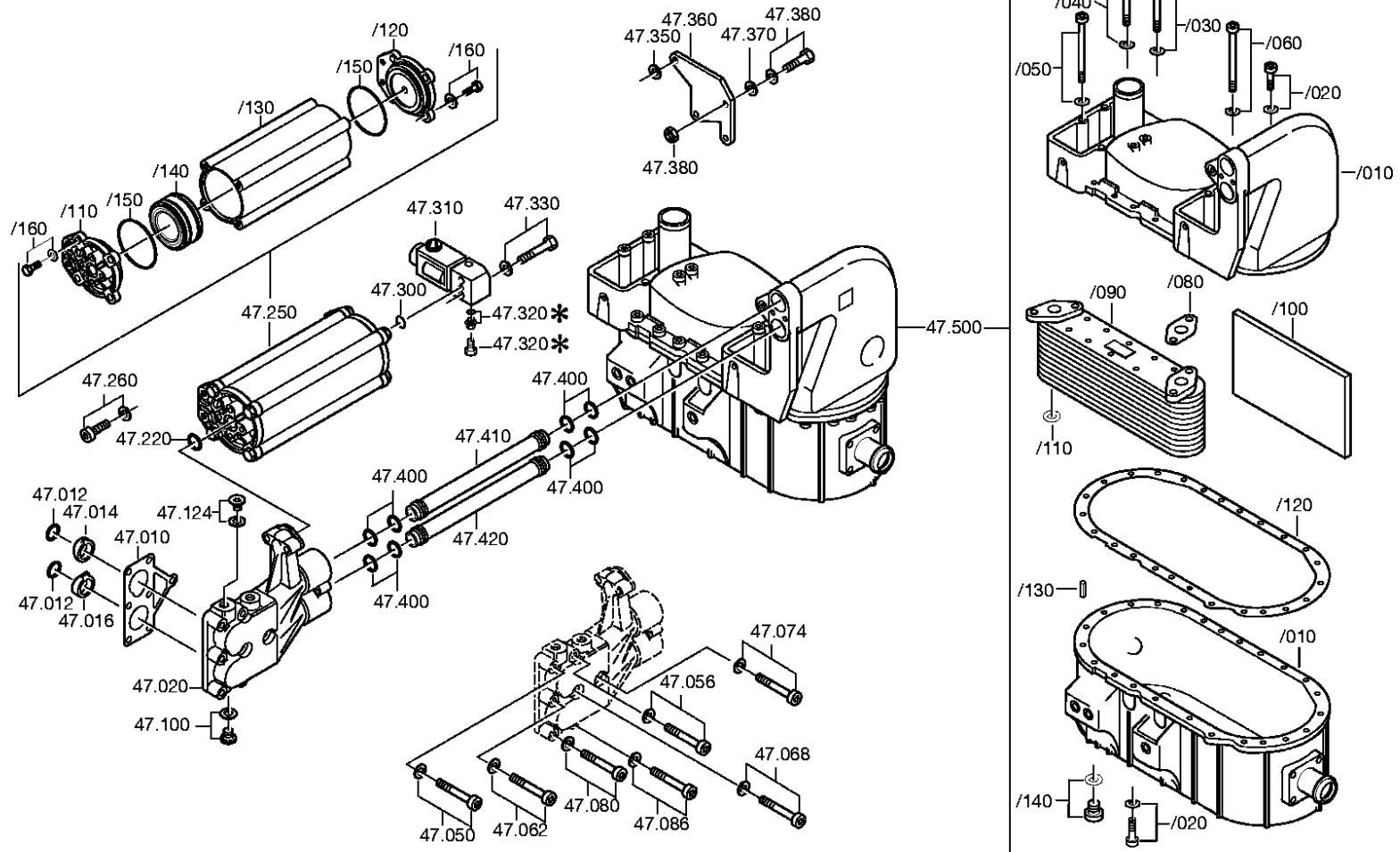
Pos.	Material number	Name	VKF	Amend. no.	Amend. start	Prod. no.	Material feature / tech. info.	OTK	External material no.	ID	Weight	SP
---	0636.101.957	CAP SCREW	36		00.00.0000		M8X32			5	0,000	
400	4166.336.374	GASKET	1		00.00.0000		FA.ZFF			5	0,002	
410	0634.313.115	O-RING	1		00.00.0000		128X3			5	0,000	
420	4166.336.237	SPUR GEAR	1		00.00.0000					5	1,677	
450	---	WASHER	1		00.00.0000		WTB 0730 106 995(2)-A= 0,50-1,00(ABSTUFUNG:0,25MM)			3	0,000	
---	0730.003.074	WASHER	1		00.00.0000		A=1,00 IN 0730 106 995(2)			5	0,003	
---	0730.106.997	WASHER	1		00.00.0000		A=0,80 IN 0730 106 995(2)			5	0,003	
---	0730.106.996	WASHER	1		00.00.0000		A=0,50 IN 0730 106 995(2)			5	0,002	

VKF Incidence factor

OTK Optional technical kit

ID Identification (output code)

SP Supplier plant





Pos.	Material number	Name	VKF	Amend. no.	Amend. start	Prod. no.	Material feature / tech. info.	OTK	External material no.	ID	Weight	SP
10	4139.301.635	GASKET	1		00.00.0000					5	0,002	
12	0634.313.628	O-RING	2		00.00.0000		41X5			5	0,000	
14	4139.301.613	INSERT	1		00.00.0000					5	0,045	
16	4139.301.614	INSERT	1		00.00.0000					5	0,040	
20	4139.347.308	CONNPART	1		00.00.0000		ENTHALT.IN 4139 347 213(0)			5	1,800	
50	---	CAP SCREW	1		00.00.0000		M8X45 ISO4762/8.8 A3C			3	0,000	
---	0636.101.685	CAP SCREW	1		00.00.0000		M8X45			5	0,000	
---	0630.001.075	WASHER	1		00.00.0000					5	0,002	
56	---	CAP SCREW	1		00.00.0000		M8X45 ISO4762/8.8 A3C			3	0,000	
---	0636.101.685	CAP SCREW	1		00.00.0000		M8X45			5	0,000	
---	0630.001.075	WASHER	1		00.00.0000					5	0,002	
62	---	CAP SCREW	1		00.00.0000		M8X45 ISO4762/8.8 A3C			3	0,000	
---	0636.101.685	CAP SCREW	1		00.00.0000		M8X45			5	0,000	
---	0630.001.075	WASHER	1		00.00.0000					5	0,002	
68	---	CAP SCREW	1		00.00.0000		M8X45 ISO4762/8.8 A3C			3	0,000	
---	0636.101.685	CAP SCREW	1		00.00.0000		M8X45			5	0,000	
---	0630.001.075	WASHER	1		00.00.0000					5	0,002	
74	---	CAP SCREW	1		00.00.0000		M8X45 ISO4762/8.8 A3C			3	0,000	
---	0636.101.685	CAP SCREW	1		00.00.0000		M8X45			5	0,000	
---	0630.001.075	WASHER	1		00.00.0000					5	0,002	
80	---	CAP SCREW	1		00.00.0000		M8X45 ISO4762/8.8 A3C			3	0,000	
---	0636.101.685	CAP SCREW	1		00.00.0000		M8X45			5	0,000	
---	0630.001.075	WASHER	1		00.00.0000					5	0,002	
86	---	CAP SCREW	1		00.00.0000		M8X45 ISO4762/8.8 A3C			3	0,000	
---	0636.101.685	CAP SCREW	1		00.00.0000		M8X45			5	0,000	
---	0630.001.075	WASHER	1		00.00.0000					5	0,002	
100	---	SCREW PLUG	1	2939C	15.05.2002	15.05.2002	M10X1 * 12N.M* DICHRING			3	0,000	
---	0636.302.053	SCREW PLUG	1		00.00.0000		M10X1			5	0,000	
---	0634.801.015	SEALING RING	1		00.00.0000		10X14			5	0,001	
120	---	SCREW PLUG	1		00.00.0000		M14X1,5 * 30N.M* DICHRING			3	0,000	
---	0636.302.068	SCREW PLUG	1		00.00.0000		M14X1,5			5	0,000	
---	0634.801.151	SEALING RING	1		00.00.0000		14X20			5	0,001	

VKF Incidence factor

OTK Optional technical kit

ID Identification (output code)

SP Supplier plant



Pos.	Material number	Name	VKF	Amend. no.	Amend. start	Prod. no.	Material feature / tech. info.	OTK	External material no.	ID	Weight	SP
124	---	SCREW PLUG	1		00.00.0000		M14X1,5 * 30N.M* DICHRING			3	0,000	
---	0636.302.068	SCREW PLUG	1		00.00.0000		M14X1,5			5	0,000	
---	0634.801.151	SEALING RING	1		00.00.0000		14X20			5	0,001	
220	0634.313.057	O-RING	1		00.00.0000		18X2,5			5	0,000	
250	0501.210.976	ACCUMULATOR	1	2881A	01.08.1998	01.08.1998	KPL. IN 0501 210 975(1)			5	2,500	
/110	0501.316.662	COVER	1		00.00.0000					5	0,279	
/120	0501.316.665	COVER	1		00.00.0000					5	0,264	
/130	0501.315.536	PIPE	1		00.00.0000		SPEICHER			5	1,300	
/140	0501.210.277	PISTON	1		00.00.0000		KPL.			5	0,412	
/150	0634.313.267	O-RING	2		00.00.0000		80X2,5			5	0,000	
/160	---	HEXAGON BOLT	8		00.00.0000		M10X35 DIN933ALT/8.8 A3C			3	0,000	
---	0636.015.227	HEXAGON BOLT	8		00.00.0000		M10X35			5	0,031	
---	0630.001.048	WASHER	8		00.00.0000					5	0,004	
260	---	CAP SCREW	2		00.00.0000		M8X50 ISO4762/8.8 A3C			3	0,000	
---	0636.101.663	CAP SCREW	2		00.00.0000		M8X50			5	0,025	
---	0630.001.075	WASHER	2		00.00.0000					5	0,002	
300	0634.316.159	O-RING	1		00.00.0000		7X2			5	0,000	
310	0501.003.407	SOLENOID VALVE	1		00.00.0000		12V			5	0,575	
320	---	SCREW PLUG	1		00.00.0000		1/4-18KEG FA.AEROQUIP			3	0,000	
---	0636.309.009	SCREW PLUG	1		00.00.0000					5	0,000	
330	---	HEXAGON BOLT	2		00.00.0000		M8X60 ISO4014/8.8 A3C			3	0,000	
---	0636.010.375	HEXAGON BOLT	2		00.00.0000		M8X60			5	0,028	
---	0630.001.075	WASHER	2		00.00.0000					5	0,002	
350	---	SHIM	1		00.00.0000		WTB 0730 004 423(4)-A= 0,20- 2,50(ABSTUFUNG:0,46MM)			3	0,000	
---	0730.001.419	SHIM	1		00.00.0000		A=2,50 IN 0730 004 423(2)			5	0,004	
---	0730.001.420	SHIM	1		00.00.0000		A=2,00 IN 0730 004 423(2)			5	0,003	
---	0730.002.331	SHIM	1		00.00.0000		A=1,50 IN 0730 004 423(2)			5	0,000	
---	0730.004.424	SHIM	1		00.00.0000		A=0,80 IN 0730 004 423(2)			5	0,002	
---	0730.001.421	SHIM	1		00.00.0000		A=0,50 IN 0730 004 423(2)			5	0,001	
---	0730.001.422	SHIM	1		00.00.0000		A=0,30 IN 0730 004 423(2)			5	0,001	
---	0730.001.423	SHIM	1		00.00.0000		A=0,20 IN 0730 004 423(2)			5	0,001	
360	4139.347.244	FIXING PLATE	1		00.00.0000					5	0,093	

VKF Incidence factor

OTK Optional technical kit

ID Identification (output code)

SP Supplier plant



Pos.	Material number	Name	VKF	Amend. no.	Amend. start	Prod. no.	Material feature / tech. info.	OTK	External material no.	ID	Weight	SP
370	---	WASHER	1		00.00.0000		WTB 0730 003 124(4)-A= 0,20-1,20(ABSTUFUNG:0,20MM)			3	0,000	
---	0730.003.290	WASHER	1		00.00.0000		A=1,20 IN 0730 003 124(2)			5	0,002	
---	0730.003.287	WASHER	1		00.00.0000		A=1,00 IN 0730 003 124(2)			5	0,000	
---	0730.003.286	WASHER	1		00.00.0000		A=0,80 IN 0730 003 124(2)			5	0,001	
---	0730.003.127	WASHER	1		00.00.0000		A=0,60 IN 0730 003 124(2)			5	0,001	
---	0730.003.126	WASHER	1		00.00.0000		A=0,40 IN 0730 003 124(2)			5	0,001	
---	0730.003.125	WASHER	1		00.00.0000		A=0,20 IN 0730 003 124(2)			5	0,001	
380	---	BOLT+NUT	2		00.00.0000		M8X25 ISO4017/8.8 A3C			3	0,000	
---	0636.015.257	HEXAGON BOLT	2		00.00.0000		M8X25			5	0,014	
---	0630.001.075	WASHER	2		00.00.0000					5	0,002	
---	0637.006.172	HEXAGON NUT	2		00.00.0000		M8			5	0,005	
400	0634.313.600	O-RING	8		00.00.0000		38X4			5	0,000	
410	4139.347.104	PIPE	1		00.00.0000					5	0,380	
420	4139.347.104	PIPE	1		00.00.0000					5	0,380	
500	0501.003.794	OIL COOLER	1		00.00.0000					5	25,260	
/10	0501.004.819	HOUSING	1		00.00.0000					5	0,000	
/20	---	CAP SCREW	20		00.00.0000		M8X25 ISO4762/8.8 A3C			3	0,000	
---	0636.101.176	CAP SCREW	20		00.00.0000		M8X25			5	0,016	
---	0630.302.090	SPRING WASHER	20		00.00.0000					5	0,002	
/30	---	CAP SCREW	1		00.00.0000		M8X45 ISO4762/8.8 A3C			3	0,000	
---	0636.101.685	CAP SCREW	1		00.00.0000		M8X45			5	0,000	
---	0630.302.090	SPRING WASHER	1		00.00.0000					5	0,002	
/40	---	CAP SCREW	5		00.00.0000		M8X50 ISO4762/8.8 A3C			3	0,000	
---	0636.101.663	CAP SCREW	5		00.00.0000		M8X50			5	0,025	
---	0630.302.090	SPRING WASHER	5		00.00.0000					5	0,002	
/50	---	CAP SCREW	4		00.00.0000		M8X70 ISO4762/8.8 A3C			3	0,000	
---	0636.101.720	CAP SCREW	4		00.00.0000		M8X70			5	0,000	
---	0630.302.090	SPRING WASHER	4		00.00.0000					5	0,002	
/60	---	CAP SCREW	1		00.00.0000		M8X60 ISO4762/8.8 A3C			3	0,000	
---	0636.101.664	CAP SCREW	1		00.00.0000		M8X60			5	0,000	
---	0630.302.090	SPRING WASHER	1		00.00.0000					5	0,002	
/80	0501.310.300	GASKET	4		00.00.0000					5	0,002	
/90	0501.208.841	INSERT	2		00.00.0000		KPL.			5	5	

VKF Incidence factor

OTK Optional technical kit

ID Identification (output code)

SP Supplier plant



Pos.	Material number	Name	VKF	Amend. no.	Amend. start	Prod. no.	Material feature / tech. info.	OTK	External material no.	ID	Weight	SP
/100	0501.313.899	PARTITION WALL	1		00.00.0000					5	0,062	
/110	0634.314.028	O-RING	2		00.00.0000		33,5X3,15			5	0,000	
/120	0501.310.280	GASKET	1		00.00.0000					5	0,041	
/130	0631.329.064	SLOTPIN	2		00.00.0000		6X20			5	0,027	
/140	---	SCREW PLUG	1		00.00.0000		M18X1,5 * 50N.M* DICHRING			3	0,000	
---	0636.302.021	SCREW PLUG	1		00.00.0000		M18X1,5			5	0,030	
---	0634.801.062	SEALING RING	1		00.00.0000		18X24			5	0,001	

VKF Incidence factor

OTK Optional technical kit

ID Identification (output code)

SP Supplier plant