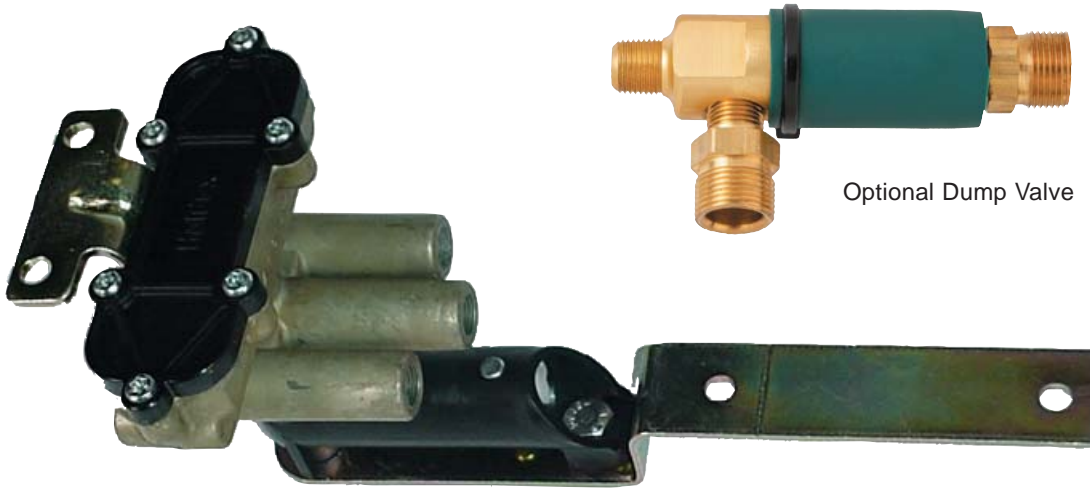




THE HALDEX
TYPE CR
CONTROLLED
RESPONSE HEIGHT
CONTROL VALVE



TIME DELAY HEIGHT CONTROL VALVE FOR TRACTOR AND TRAILER AIR SUSPENSIONS AND INDUSTRIAL APPLICATIONS

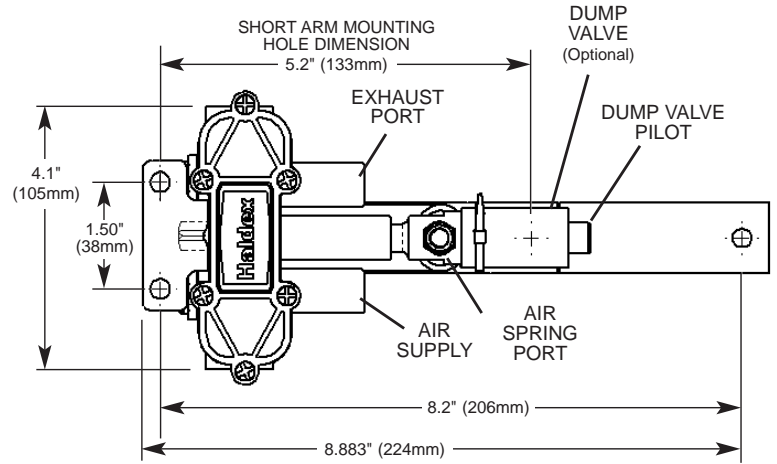
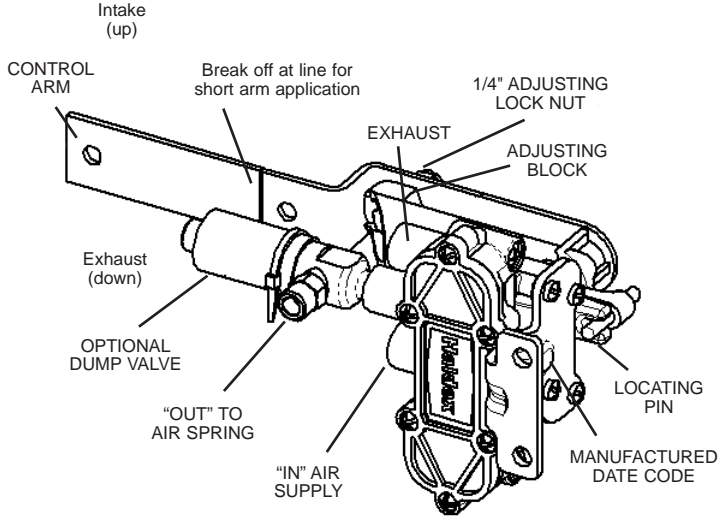
FEATURES AND BENEFITS

- Controlled response time delay technology maintains chassis position and conserves air to increase compressor life.
- Robust die cast zinc body, precision machined steel and durable plastic components to insure operation in extreme conditions.
- Available with 1/4", 3/8" or metric filter fittings, with integral dump valves and break away arms. Combined with flexible right or left mounting options, these features allow ease of installation and reduce inventories.
- Minimum deadband range provides excellent control of suspension ride height to maintain drive system pinion angles.
- Optional integrated dump valve provides the ability to automatically or manually exhaust air from the suspension.



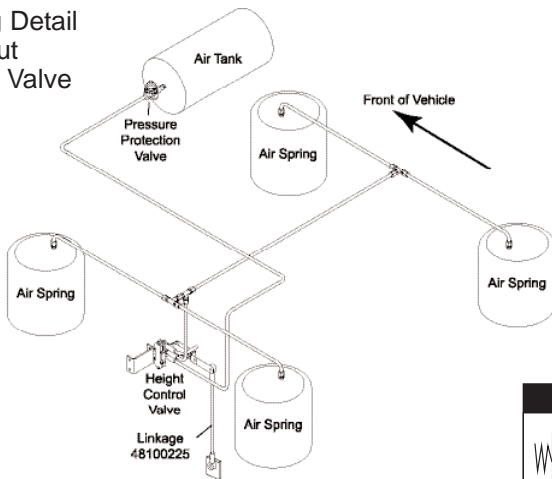
TYPE CR VALVE Haldex

PRODUCT SPECIFICATIONS

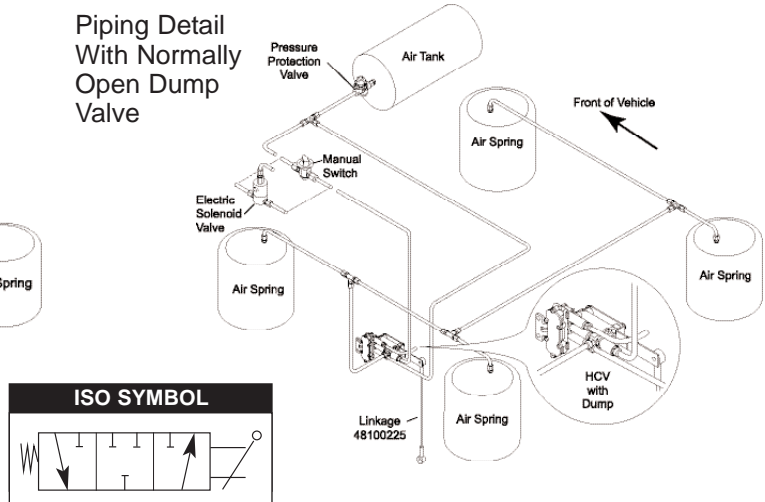


AIR CONTROL PIPING DETAIL

Piping Detail Without Dump Valve



Piping Detail With Normally Open Dump Valve



AVAILABLE OPTIONS

PART NO.	TUBING SIZE	DUMP VALVE
90054007*	1/4"	-
90554114	LESS FITTINGS	-
90554147	METRIC	-
90554183*	3/8"	-
90554334	1/4" or 3/8"	Normally Open, Apply Air Pressure to Dump. Dump Valve Part No. 90554335
90554648	1/4" or 3/8"	Normally Closed, Release Air Pressure to Dump. Dump Valve Part No. 90554902

NOTE: Parts are individually packed. Bulk packages and OEM Air Control Kits are available with OEM specified fittings. Contact your Haldex sales professional for assistance.

* Direct replacement for 90554186 Height Control Valve.



Haldex Commercial Vehicle Systems

North American Sales Division
Haldex Brake Products Corporation
10707 NW Airworld Drive
Kansas City, MO 64153-1215
Phone: 816-891-2470
Fax: 816-801-4198

North American Sales Division
Haldex Limited
525 Southgate Drive, Unit 1
Guelph, Ontario CAN N1G 3W6
Phone: 519-826-7723
Fax: 519-826-9497