

VALVES

A LINE OF OUTSTANDING 2-WAY & 3-WAY SOLENOID VALVES

SMALLER IN SIZE • GREATER C_v FACTORS
LESS POWER REQUIRED • SIMPLICITY IN WIRING
ACHIEVED THROUGH SUPERIOR DESIGN AND DIMENSIONAL QUALITY CONTROL

3-WAY VALVES are available as Normally Closed, Normally Open or Multi-Purpose.
2-WAY VALVES are available as Normally Closed or Normally Open. All types can be supplied in various operating pressure ranges with 1/8" or 1/4" N.P.T. Ports. To satisfy a wide variety of applications, the valve bodies are offered in Aluminum Hardcoated, Brass or Stainless Steel.

DESIGN FEATURES

SPLICE BOX HOUSING:

LARGE COIL COVER OF GENERAL PURPOSE VALVES, ELIMINATES NEED FOR SEPARATE SPLICE BOX.

CLASS B PRECISION MOLDED 7 WATT COIL WITH 24" LEADS. SUITABLE FOR CONTINUOUS TOTAL COIL TEMPERATURE OF 130°C(266°F), WHICH WILL GIVE THESE COILS MANY TIMES THE LIFE OF CLASS A COILS.

3 BODY MATERIALS AVAILABLE:

- 1) ALUMINUM HARDCOATED IS FILE HARD ABRASION & CORROSION RESISTANT.
- 2) BRASS.
- 3) STAINLESS STEEL



STAINLESS STEEL PRECISION WELDED PLUNGER HOUSING REQUIRES NO SPECIAL TOOLS FOR REMOVING

STAINLESS STEEL PLUNGER WITH VITON SEATS. COMPENSATING UPPER SEAT FOR EXTRA LONG LIFE.

STAINLESS STEEL PLUNGER SPRING PROVIDES POSITIVE RETURN & PERMITS VALVE TO BE MOUNTED IN ANY POSITION.

1/8" OR 1/4" NPT PORT SIZES

Voltages: 12, 24, 120 & 240/60 AC and 6, 12 & 24VDC are standard.

Special voltages available upon request.

Temperature Range: - 40°F to + 190°F.

Orifices: From 3/64" to 1/8".

Pressures: To 250 P.S.I.

Vacuum: Down to 5 Microns.

Media: Pneumatic & Hydraulic.

GENERAL PURPOSE

3-WAY VALVES - AVAILABLE AS NORMALLY CLOSED, NORMALLY OPEN OR MULTI-PURPOSE.

2-WAY VALVES - AVAILABLE AS NORMALLY CLOSED OR NORMALLY OPEN.



3-WAY NORMALLY CLOSED



3-WAY NORMALLY OPEN, MULTI-PURPOSE OR 2-WAY NORMALLY OPEN
STANDARD (SPLICE BOX HOUSING SHOWN)

TYPE	Maximum Operating Pressure	Orifice Size		Inlet Cv Factor	CATALOG NUMBERS— SPECIFY OPTIONS AND VOLTAGE								
					1/8 N.P.T. PORTS			1/4 N.P.T. PORTS					
					Aluminum Hard Coated	Brass	Stainless	Aluminum Hard Coated	Brass	Stainless			
3 WAY	NORMALLY CLOSED	Inlet	Exhaust	175	3/64	3/64	.055	3CAX8A	3CAX8B	3CAX8S	3CAX4A	3CAX4B	3CAX4S
				150	1/16	1/16	.095	3CBX8A	3CBX8B	3CBX8S	3CBX4A	3CBX4B	3CBX4S
		75	3/32	1/16	.195	3CCY8A	3CCY8B	3CCY8S	3CCY4A	3CCY4B	3CCY4S		
	NORMALLY OPEN	Inlet	Exhaust	50	1/8	3/32	.260	3CDY8A	3CDY8B	3CDY8S	3CDY4A	3CDY4B	3CDY4S
				160	3/64	1/16	.055	30AX8A	30AX8B	30AX8S	30AX4A	30AX4B	30AX4S
		125	1/16	3/32	.095	30BY8A	30BY8B	30BY8S	30BY4A	30BY4B	30BY4S		
	MULTI-PURPOSE	Inlet	Exhaust	75	3/32	1/8	.195	30CZ8A	30CZ8B	30CZ8S	30CZ4A	30CZ4B	30CZ4S
				150	3/64	3/64	.055	3PAW8A	3PAW8B	3PAW8S	3PAW4A	3PAW4B	3PAW4S
		75	1/16	1/16	.095	3PBX8A	3PBX8B	3PBX8S	3PBX4A	3PBX4B	3PBX4S		
2 WAY	NORMALLY CLOSED	Inlet	Exhaust	50	3/32	3/32	.195	3PCY8A	3PCY8B	3PCY8S	3PCY4A	3PCY4B	3PCY4S
				250	3/64	-	.055	2CA8A	2CA8B	2CA8S	2CA4A	2CA4B	2CA4S
		200	1/16	-	.095	2CB8A	2CB8B	2CB8S	2CB4A	2CB4B	2CB4S		
	NORMALLY OPEN	Inlet	Exhaust	150	3/32	—	.195	2CC8A	2CC8B	2CC8S	2CC4A	2CC4B	2CC4S
				125	1/8	-	.260	2CD8A	2CD8B	2CD8S	2CD4A	2CD4B	2CD4S
		200	3/64	—	.055	20A8A	20A8B	20A8S	20A4A	20A4B	20A4S		
	NORMALLY OPEN	Inlet	Exhaust	150	1/16	—	.095	20B8A	20B8B	20B8S	20B4A	20B4B	20B4S
				100	3/32	-	.195	20C8A	20C8B	20C8S	20C4A	20C4B	20C4S

ORDERING PROCEDURE

1) STANDARD VALVE

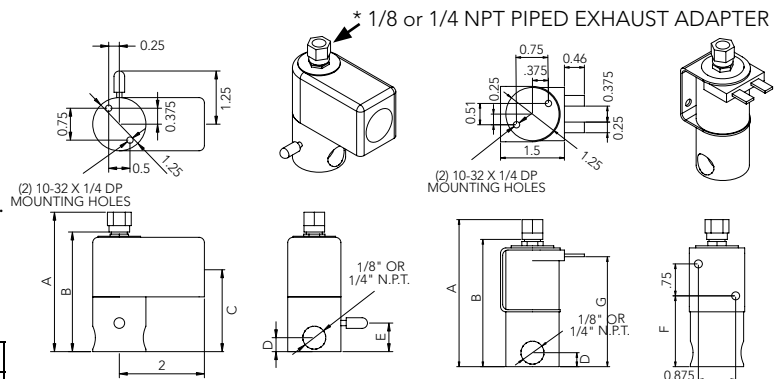
SPECIFY: Catalog Number and Voltage.

2) STANDARD VALVE with OPTIONS:

SPECIFY: Catalog Number, Option Code and Voltage.

DIMENSIONS

DIM.	3-WAY 1/8 & 1/4 N.P.T.	2-WAY		
		NORMALLY CLOSED 1/8 N.P.T.	1/4 N.P.T.	NORMALLY OPEN 1/8 & 1/4 N.P.T.
A	3-5/16"	—	—	3-5/16"
B	2-13/16"	2-15/16"	2-5/8"	2-13/64"
C	1-29/32"	1-9/16"	1-23/32"	1-29/32"
D	2-21/64"	2-9/64"	2-9/64"	2-21/64"
E	43/64"	31/64"	41/64"	43/64"
F	1-9/16"	1-1/4"	1-1/4"	1-9/16"



VALVE BASE MOUNTING PLATE Part Number DAV-M7

*Standard on 3-Way N.O., M.P. and 2-Way N.O.

VALVES

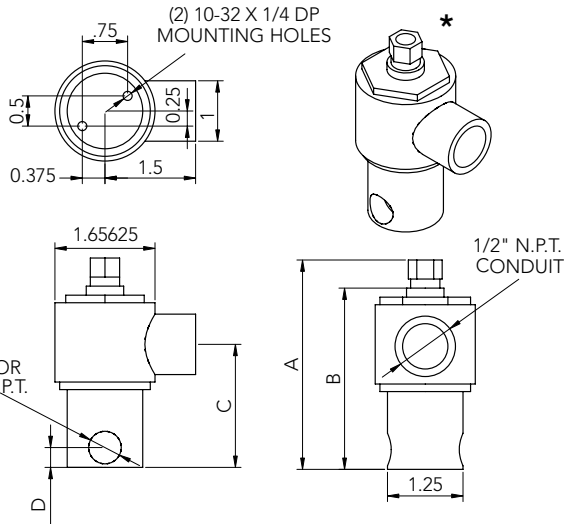
• DESIGN FEATURES

EXPLOSION-PROOF

THE SMALLEST 2-WAY & 3-WAY EXPLOSION-PROOF SOLENOID VALVES WITH STANDARD FLOW CHARACTERISTICS

These valves are UL listed for use in hazardous locations Class I, Groups C & D (NEMA 7) and Class II, Groups E, F & G (NEMA 9).

*PIPED EXHAUST ADAPTER 1/8" OR 1/4" N.P.T.



DIMENSIONS

DIM.	3-WAY 1/8 & 1/4 N.P.T.	2-WAY		
		NORMALLY CLOSED 1/8 N.P.T.	NORMALLY OPEN 1/4 N.P.T.	NORMALLY OPEN 1/8 & 1/4 N.P.T.
A	3-1/2"	—	—	3-1/2"
B	3"	2-21/32"	2-13/16"	3"
C	2-1/32"	1-11/16"	1-27/32"	2-1/32"
D	23/64"	17/64"	21/64"	23/64"
E	43/64"	31/64"	41/64"	43/64"

*STANDARD ON 3-WAY N.O., M.P. AND 2-WAY N.O.

ADD THE PREFIX LETTER "X" TO THE CATALOG NUMBER TO SPECIFY EXPLOSION-PROOF



CONDUIT HOUSING: ADD THE SUFFIX LETTER "C" TO THE CATALOG NUMBER.



HOUSING BRACKET: ADD THE SUFFIX LETTER "HB" TO THE CATALOG NUMBER.

INDUSTRIAL OXGEN SERVICE: ADD THE SUFFIX LETTER "IOS" TO THE CATALOG NUMBER.



SPADE TERMINALS: ADD THE SUFFIX LETTER "Y" TO THE CATALOG NUMBER.



INDICATOR LIGHT: Available on Splice Box housing ONLY. Light indicates when solenoid is energized. ADD SUFFIX LETTER "L" TO THE CATALOG VOLTAGE. ex 120/60L



TIME-A-VALVE ® : A solid state electronic timer, integral with the Allenair Solenoid Operator. See page 87.



NON-LOCKING MANUAL OVER-RIDE LEVER: Particularly useful for set-up and electrical failure. ADD THE SUFFIX LETTER "O" TO THE CATALOG NUMBER.



DIN-type HOUSING: DIN 43650/ISO 4400. ADD THE SUFFIX LETTER "YD" TO THE CATALOG NUMBER.



METER IN: Allows adjusting of the inlet flow. ADD THE SUFFIX LETTER "M" TO THE CATALOG NUMBER (Not available with over-ride).



1.5 WATT: Available on normally closed valves with any housing or option. 6, 12 or 24VDC voltage ONLY. ADD THE SUFFIX LETTER "N" TO THE CATALOG NUMBER.



GROMMET HOUSING: ADD THE SUFFIX LETTER "G" TO THE CATALOG NUMBER.

NEW

NEMA 4 JIC WATERTIGHT PER NEMA 4/IP-56

2-way	3-way
3/64" orifice 250 PSI (2CA)	3/64" orifice 175 PSI (3CA)
1/16" orifice 200 PSI (2CB)	1/16" orifice 150 PSI (3CB)



2-WAY, 3-WAY SOLENOID 1/8" & 1/4" N.P.T.

VALVES

• GENERAL PURPOSE

2-WAY, 3-WAY SOLENOID 1/8" & 1/4" N.P.T.

ADJUSTABLE EXHAUST
Available for 3-way normally closed only.



QE 104

PIPED EXHAUST
Available for 3-way normally closed only in 1/8 N.P.T. or 1/4 N.P.T



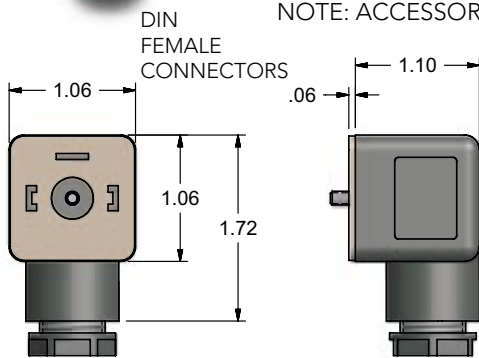
PART NUMBER
1/8 N.P.T - EA-19
1/4 N.P.T - EA-19-4

FILTER SILENCER
Available for top exhaust port on 3-way valves.



PART NUMBER EA-27
Also available for Body Ports. S-1/8 for 1/8 N.P.T. S-1/4 for 1/4 N.P.T.

NOTE: ACCESSORIES MUST BE ORDERED AS SEPARATE ITEMS



PART NO.	STRAIN RELIEF	CONDUIT	VOLTAGES		LIGHTED
			AC	DC	
EA-310	.24 TO .31	...	250-50/60	300	NO
EA-320	.31 TO .41	...	250-50/60	300	NO
EA-330	.24 TO .31	...	6-48-50/60	6-48	YES
EA-340	.31 TO .41	...	6-48-50/60	6-48	YES
EA-350	.24 TO .31	...	100-240-50/60	48-120	YES
EA-360	.31 TO .41	...	100-240-50/60	48-120	YES
EA-370	...	1/2"	250-50/60	300	NO
EA-380	...	1/2"	6-48-50/60	6-48	YES
EA-390	...	1/2"	100-240-50/60	48-120	YES

All connectors are rated for 10 amp service and are supplied with a silicon gasket (EA-305S) rated at 125°C. The metal encased potted coil housing, when used with the appropriate female connector, is designed to fulfill NEMA requirements 1 - 4, 12 and 13.

ALLENAIR'S FLEXIBILITY ALLOWS FOR A WIDE VARIETY OF SPECIAL VALVES. CONTACT ALLENAIR WITH YOUR SPECIAL REQUIREMENTS.

DE - ENERGIZED

FLOW DIRECTION

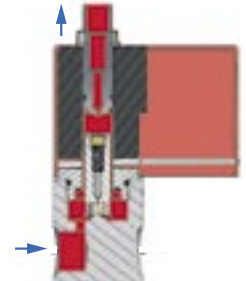
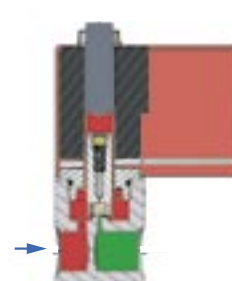
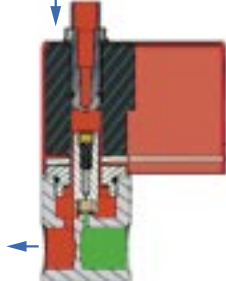
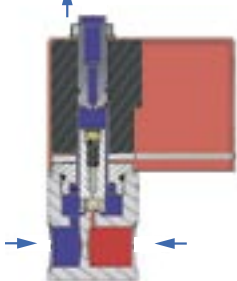
3-WAY NORMALLY CLOSED

3-WAY NORMALLY OPEN

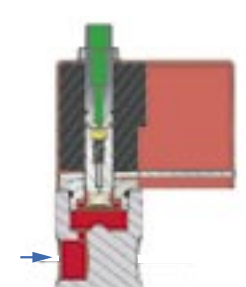
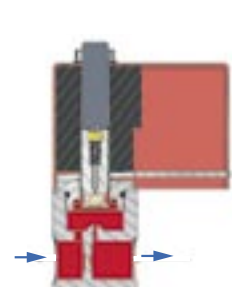
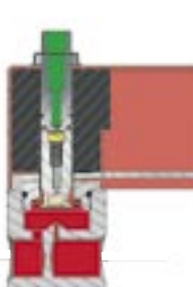
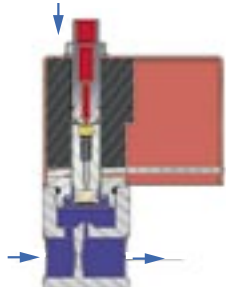
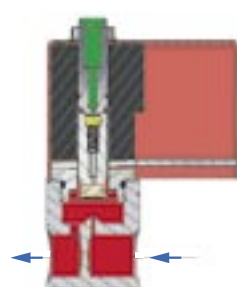
3-WAY MULTIPURPOSE

2-WAY NORMALLY CLOSED

2-WAY NORMALLY OPEN



ENERGIZED



LEGEND: PRESSURE (red square) EXHAUST (blue square) INACTIVE (green square)

Note: Multi-purpose valves may be operated with air inlet at Port A, B or C. Follow flow direction according to method used.