



Bendix Spicer  
Foundation Brake LLC  
*A Bendix Commercial Vehicle Systems  
and Dana Corporation Joint Venture*

# Quick Reference Catalog

| Compressors | Valves | Wheel End | Air Dryers | Integrated Modules | Electronics | Vision Systems |

**Some guys use cheap parts and  
never have a breakdown.**

**Of course, some guys actually  
talk their way out of speeding tickets.**



Some guys are just lucky. For the rest of us, there's Genuine Bendix. Every Genuine Bendix part is rigorously tested, backed by a powerful warranty and engineered to keep your brake system in spec. And, we stand right behind you with our 100% ASE-certified service team and an extensive network ready to respond, whenever and wherever you need us. So the question is: Do you want to be lucky, or do you want to be sure? For more information about Genuine Bendix valves, compressors, air dryers, wheel end components and more, call 1-800-AIR-BRAKE (1-800-247-2725) or visit [www.bendix.com](http://www.bendix.com).



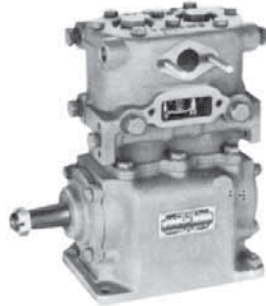
Product Group	Page	Product Group	Page	Product Group	Page
<b>01 Compressors &amp; Governors</b>		<b>03 Air System Components</b>		<b>08 Air Dryers (cont'd)</b>	
Compressors.....	4-10	Relay Valves (cont'd)		EverFlow™ Air Dryer Module.....	89
Engine Application.....	11	R-12DC®.....	40	Trailer System-Guard®.....	80
Inlet Check Valve.....	14	R-14®.....	41		
Safety Valve, Inlet Regulating Valve, Air Strainers.....	15	RE-6®, RE-6NC™, Dual Relay.....	42	<b>09 Fan Clutch</b>	
Governors & Gaskets.....	16	HR-1™.....	43	FD-1™, FD-L™, TorqueMaster® FD-3™	
Compressor Changeover.....	17	<b>Safety Valves</b>		Fan Clutch Controls Kits.....	90
		ST-3™ & ST-4™.....	15, 43		
<b>02 Actuators</b>		<b>Spring Brake Valves</b>		<b>13 AntiLock</b>	
Brake Chambers, Rotochambers, Spring Brakes, Diaphragms, Springs, Yokes.....	18-19	SR-1™, SR-2™, SR-4™, PR-3™.....	44	EC-60™ Controller.....	91-92
		SR-5™, SR-7®.....	45	EC-30™, Gen4/5 Controller.....	93
<b>03 Air System Components</b>		<b>Tractor Protection Valves</b>		M-32™, M-32QR™ Modulator.....	94
<b>Brake Valves</b>		TP-3®, TP-3DC™.....	46	AT-3™, ATR-3™.....	95
E-2™, E-3™, E-5™.....	20	TP-4™, TP-5™.....	47	Front Axle Module (FAM), Rear Axle Module (RAM).....	95
E-8P®, E-10P™, E-10PR™, E-12™, E-14™, E-15™.....	21	AutoBrake™.....	48	TABS-6, BR9235™.....	96
E-7™.....	22	Maintenance Kits.....	49-57	MC-30, A-18, MC-12.....	97
E-6®, E-10™, BVA-85™.....	23	Valve Changeover.....	58	WS-24™ Wheel Speed Sensor, WS-20™ Sensor Replacements.....	98
TC-2™, TC-6™, TC-7™.....	24			ESP® Sensor.....	99
TCS-9000™.....	25	<b>05 Slack Adjusters</b>		ABS Diagnostic Tools.....	99
<b>Inversion Valves</b>		Manual.....	59		
TR-2™, TR-3™.....	25	ASA-5®, Yoke Adapters.....	60	<b>15 Electronics</b>	
<b>Pressure Protection Valves</b>		Service Piece Numbers.....	61	ET-2™, ET-S2™.....	101
PR-2™, PR-4™.....	26	Kits.....	62		
<b>Check Valves</b>		<b>06 Indicating &amp; Warning Devices</b>		<b>19 Safety &amp; Comfort</b>	
Double.....	26	DS-1™, DS-2™.....	64	XVision®.....	102
Single, Right Angle Check Valves.....	27	SL-3™, SL-4™, SL-5™.....	65		
<b>Pressure Reducing Valves</b>		LP-2™, TE-1™.....	66	<b>22 Foundation Brakes</b>	
RV-3™.....	27	LP-3™.....	67	Steer Axle Drum Brake.....	104
<b>Quick Release Valves</b>		Air Horn Kits.....	67	Drive Axle Drum Brake.....	105
QR-L™.....	27	<b>07 Tubing &amp; Fittings</b>		Trailer Axle Drum Brake.....	106
QRN-2™, QR-1®, QRN™.....	28	C-1™, C-3™.....	68		
QR-1C®, LQ-2™.....	29	C-5™, C-6™.....	69	<b>23 Air Disc Brake</b>	
<b>Ratio, Limiting &amp; Proportioning Valves</b>		DV-2™.....	70	ADB22X™, ADB225™, SB-7™	
LQ-4™.....	29	Tubing & Tubing Clamps.....	71	SN-7™, SK-7™.....	108-109
LQ-5™, BP-1™, BP-R1®.....	30	Tubing Inserts, Nylon Tubing.....	71		
<b>Control Valves</b>		Tubing Fittings.....	72-75	<b>Literature and Training Materials</b>	
PP-1®, PP-2™, PP-3™.....	31	Reducer Bushings.....	74	Order Guide.....	110
PP-5™, PP-7™, E-Z-Grip® Soft Button Cover.....	32	<b>Air Brake Hose</b>			
PP-8™, PP-DC®.....	33	Hose, Hose Assy., Hose Fittings & Suspension Spring.....	76-79	<b>100 Typical Air Systems</b>	
RD-3™, MV-2™.....	34	Hose Couplings, Dummy Couplings.....	79-80	School Bus, Coach.....	111-112
MV-3®, TC-4™.....	35				
TW-1™, TW-2™, TH-3™, TW-3™.....	36	<b>08 Air Dryers</b>			
TW-4™, TW-11™, SV-1™, SV-4™.....	37	Cyclone DuraDrain™.....	80		
<b>Relay Valves</b>		PuraGuard®, AF-3™.....	81		
R-6™, R-8™, R-8P™.....	38	AD-2®, AD-4®.....	82		
R-12®, R-12P™.....	39	AD-9®.....	83		
R-7™ Modulating Valve.....	46	AD-SP®.....	84		
		AD-IP®, AD-IP® DI.....	85		
		AD-IS®.....	86-88		

## Compressor Sizes

**BX-2150™ Compressor**  
9.5 CFM AT 1250 RPM



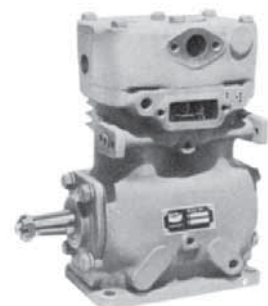
**Tu-Flo® 400 Compressor**  
7.25 CFM AT 1250 RPM



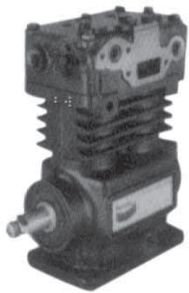
**Tu-Flo® 500 Compressor**  
12 CFM AT 1250 RPM



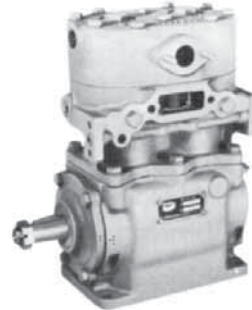
**Tu-Flo® 501 Compressor**  
12 CFM AT 1250 RPM



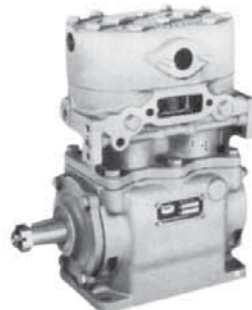
**Tu-Flo® 550 Compressor**  
13.2 CFM AT 1250 RPM



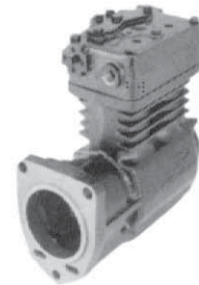
**Tu-Flo® 600 Compressor**  
14.5 CFM AT 1250 RPM



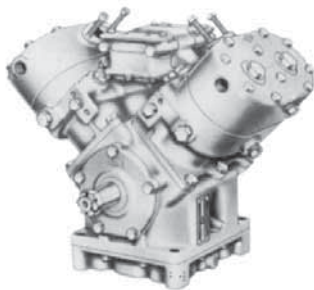
**Tu-Flo® 700 Compressor**  
15.5 CFM AT 1250 RPM



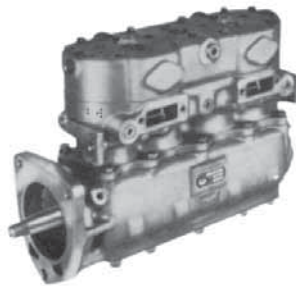
**Tu-Flo® 750 Compressor**  
16.5 CFM AT 1250 RPM



**Tu-Flo® 1000 Compressor**  
24 CFM AT 1250 RPM



**Tu-Flo® 1400L Compressor**  
31 CFM AT 1250 RPM



**DuraFlo™ 596 Compressor**  
27 CFM AT 1250 RPM

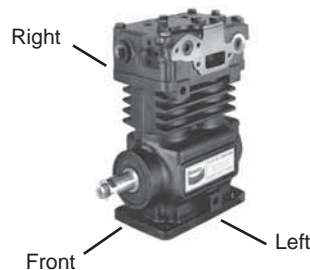


**BA-921® Compressor**  
15.8 CFM AT 1250 RPM



- Bendix air compressors are designed to meet a wide range of vehicle needs.
  - Several sizes and various mounting configurations are available.
  - Compressors are available remanufactured exchange.
- V.M.R.S. 13-009-000

Unless indicated, inlet & discharge locations are as shown.



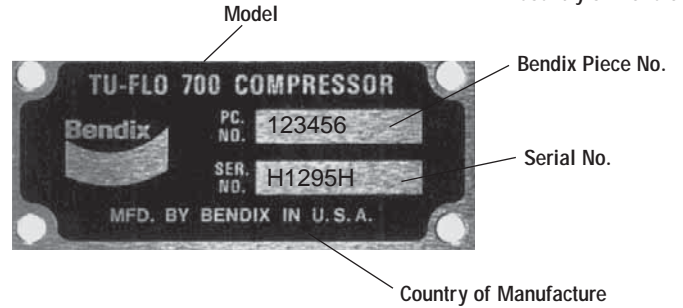
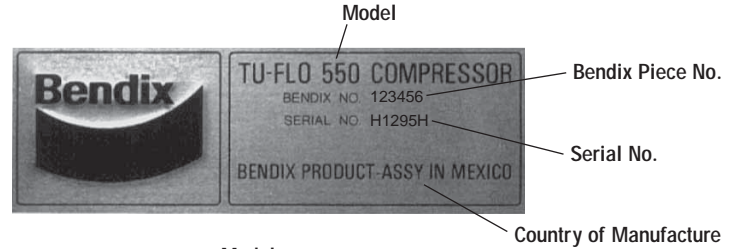
**BA-922® Compressor**  
31.6 CFM AT 1250 RPM



## Compressor Nameplates

A nameplate is attached to the crankcase of all compressors. It displays the model, piece number (PC. NO.) and serial number (SER. NO.). When making reference to a particular compressor use the piece number (PC. NO.) stamped on the nameplate.

The serial number is interpreted as follows: First is an alpha character (A through M skipping the letter I) representing January through December. The next four characters are numbers representing the day of the month followed by the year (two digits for each). The sixth and last character represents the manufacturing plant. For example serial number H1295H indicates the product was manufactured on August 12, 1995 in the Huntington, Indiana facility.



## Gaskets



**Inlet Flange Gasket Pc. No. 243430N**

For all Tu-Flo® Compressors  
 except Tu-Flo® 300 Compressor

Service New Pc. No.	Compressor
5013553	Tu-Flo® 550/750
5016795	Tu-Flo® 501

**Base Plate Gasket**

For compressors with 1/2" bottom drain port

**Phone Numbers:**  
**1-800-AIR BRAKE**  
**(1-800-247-2725)**

**Fax: 440-329-9556**

## BA-921® Remanufactured Compressors

*w/core group and core class identification*



BA-921®  
Air Compressor  
(Core Class 2K)  
**3126, C7, C9**  
**5010806X**

CAT  
Core Group 1K



BA-921®  
Air Compressor  
(Core Class 2K)  
**C11 Acert, C13 Acert**  
**5014428X**  
*external oil return line*

**C15 Acert, C18 Acert**  
**5012533X**

CAT  
Core Group 1K

### BA-921® Compressor Kits

Part No.	Description
<u>Maintenance Kits</u>	
5008558	Cylinder Head Gasket Kit
5008557	Unloader Kit
5008561	Governor Adapter Kit
5008559	Compressor Seal Kit

## BA-922® Remanufactured Compressors

w/core group and core class identification



BA-922®  
Air Compressor  
(Core Class 1P)  
**C11 Acert, C13Acert**  
**5013058X**  
(42 tooth drive gear)

**CAT**  
Core Group 1P

BA-922®  
Air Compressor  
(Core Class 1P)  
**C15 Acert, C18 Acert**  
**5013059X**  
(40 tooth drive gear)



BA-922®  
Air Compressor  
(Core Class 1L)  
**5013695X**  
(69 tooth drive gear with a  
21 tooth spline)

**DDC**  
**Series 60 non-EGR &**  
**Series 50**  
Core Group 1L

A changeover kit is required if replacing a Tu-Flo® 750 or DuraFlo 596™ compressor. See BW2524 for additional information.



BA-922®  
Air Compressor  
(Core Class 1N)  
**5016389X**  
(drive gear not included)

**John Deere**  
**Tier 3 PowerTech Plus™**  
Core Group 1N

### BA-922® Compressor Kits

Part No.	Description
<u>Maintenance Kits</u>	
5014472	Cylinder Head Gasket Kit
5014473	Unloader Kit
5008561	Governor Adapter Kit
5008559	Compressor Seal Kit
<u>Changeover Kits</u>	
5015871	Series 50 CNG Kit
5016263	Series 50 Diesel, Series 60 non-EGR ( <u>rear</u> mount ECM)
5016728	Series 50 Diesel, Series 60 non-EGR ( <u>side</u> mount ECM)

## Tu-Flo® 550 & Tu-Flo® 750 Remanufactured Compressors

*w/core group and core class identification*



CAT  
Core Group 1A

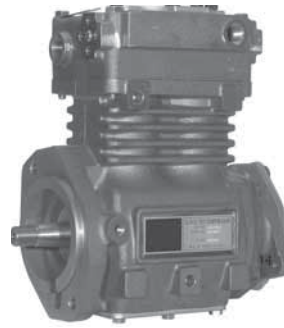
Tu-Flo® 550  
Air Compressor  
(Core Class 1A)  
**3406, C10, C12, C15, C16**  
**5002984X**  
*(rear end cover studs)*  
**3176, C15, C16**  
**5005790X**

**107509X**  
*(2 ½° tilt)*

Tu-Flo® 750  
Air Compressor  
(Core Class 2A)  
**3406, C10, C12, C15, C16**  
**5002713X**  
*(rear end cover studs)*

**3176, C15, C16**  
**5002983X**

**107508X**  
*(2 ½° tilt)*



**CAT**  
**3116, 3126,**  
**C7 Acert, C9 Acert**  
Core Group 1A

Tu-Flo® 550  
Air Compressor  
(Core Class 1A)  
**5011016X**  
**\*5008249X**  
**107981X**  
*(Left Inlet)*

Tu-Flo® 750  
Air Compressor  
(Core Class 2A)  
**5004118X**

Top inlet unless noted.  
Removable rear flange cover.

\* High torque thru drive.



CAT 3306  
Core Group 1A

Tu-Flo® 550  
Air Compressor  
(Core Class 1A)  
**109251X**

Tu-Flo® 750  
Air Compressor  
(Core Class 2A)  
**109287X**



Cummins ISB & C  
Core Group 1E

37 tooth gear

Tu-Flo® 550  
Air Compressor  
(Core Class 1E)  
**108804X**  
*(top air inlet)*

**109653X**  
*(left air inlet)*

Tu-Flo® 750  
Air Compressor  
(Core Class 2E)  
**109382X**  
*(top air inlet)*



Cummins  
ISM, N14, M11  
Core Group 1B

Tu-Flo® 550  
Air Compressor  
(Core Class 1B)  
**107506X**

Tu-Flo® 750  
Air Compressor  
(Core Class 2B)  
**107507X**

Optional Tu-Flo® 550 & 750 compressors available with premium crankshafts for severe duty applications. See Bendix bulletin TCH-001-054.





DDC  
Core Group 1D

Tu-Flo® 550  
Air Compressor  
(Core Class 1D)  
**Series 60 non-EGR**  
**5004188X**  
(69 tooth gear w/  
21 tooth spline)

Tu-Flo® 750  
Air Compressor  
(Core Class 2D)  
**Series 60 non-EGR &  
Series 50**  
**5004187X**  
(69 tooth gear w/  
21 tooth spline)

Bendix® BA-922® air compressor upgrade available.



DDC  
Core Group 1C

Tu-Flo® 550  
Air Compressor  
(Core Class 1C)  
**Series 60 non-EGR**  
**107622X**  
(21 tooth spline)

Tu-Flo® 750  
Air Compressor  
(Core Class 2C)  
**Series 60 non-EGR &  
Series 50**  
**107623X**  
(21 tooth spline)

BA-922® air compressor upgrade available.



NPT Ports

International V8  
Pre-2004  
Core Group 11

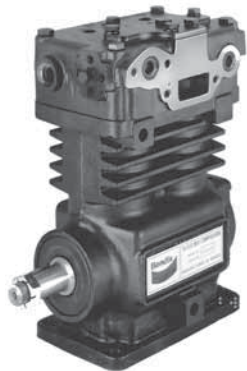
Tu-Flo® 550  
Air Compressor  
(Core Class 60)  
**T444E**  
**107514X**



International V8  
2004 - 2006  
Core Group 11

Tu-Flo® 550  
Air Compressor  
(Core Class 60)  
**VT365**  
**5015314X**  
(M18 water port &  
M10 oil port.)

*Engines built before 6/05 may  
require kit pc. no. 5016415  
for oil and water port adapters  
- see Bendix Bulletin  
TCH-001-055.*



International V8  
2007  
Core Group 11

Tu-Flo® 550  
Air Compressor  
(Core Class 60)  
**VT365**  
**5019445X**  
(M18 water port &  
M10 oil port.)



NPT Ports

International I-6  
Pre-2004  
Core Group 1G

Tu-Flo® 550  
Air Compressor  
(Core Class 1G)  
**DT466, HT530**  
**5004613X**

Tu-Flo® 750  
Air Compressor  
(Core Class 2G)  
**HT530**  
**5004614X**

Optional Tu-Flo® 550 & 750 compressors available with premium crankshafts for severe duty applications. See Bendix bulletin TCH-001-054.



*Bottom drain & metric ports*

International I-6  
2004 - 2006  
Core Group 1G

Tu-Flo® 550  
Air Compressor  
(Core Class 1G)  
**DT466**  
**5014144X**

**HT570**  
**\*5014488X**

Tu-Flo® 750  
Air Compressor  
(Core Class 2G)  
**HT570**  
**\*5014489X**

\* Premium crankshaft for severe duty applications.



*Bottom drain & metric ports*

International I-6  
2007  
Core Group 1G

Tu-Flo® 550  
Air Compressor  
(Core Class 1G)  
**DT466**  
**5019320X**

**HT570**  
**\*5019321X**

Tu-Flo® 750  
Air Compressor  
(Core Class 2G)  
**HT570**  
**\*5019322X**

\* Premium crankshaft for severe duty applications.



Tu-Flo® 550  
Air Compressor  
(Core Class 1F)  
**\*108866X**  
*(Pre -1997)*  
**5002865X**

Mack Extended  
Core Group 1F

Tu-Flo® 750  
Air Compressor  
(Core Class 2F)  
**\*5003729X**  
*(Pre -1997)*  
**5002868X**

\* Head contoured for special clearance application.



Tu-Flo® 550  
Air Compressor  
(Core Class 1H)  
**108937X**

Tu-Flo® 750  
Air Compressor  
(Core Class 2H)  
**108935X**

Volvo  
Core Group 1H

## Engine Application

Flanges	Engines	Tu-Flo® 500 Compressor	Tu-Flo® 501 Compressor	Tu-Flo® 700 Compressor	Tu-Flo® 1400 Compressor	Tu-Flo® 550 Compressor	Tu-Flo® 750 Compressor	BA-921® Compressor	BA-922® Compressor
	CAT 3406	-	286546X	289349X	-	-	-	-	-
	CAT 3406B	-	103274X	103278X	104583X	107059X	107508X	-	-
	CAT 3408	-	286552X	-	-	-	-	-	-
	CAT 3116	-	-	-	-	-	-	-	-
	CAT C11/C13 CAT C15/C18	-	-	-	-	-	-	-	5014428X 5012533X
Mack 6 cylinder	284662X	286544X	289340X	-	107511X	107510X	-	-	
Mack (other)	-	286620X	-	104584	-	-	-	-	
	CAT 3126, C7 and C9	-	-	-	-	-	-	5010806	-
	Cummins NH, NTC, KT, KTA Series Engines (See bulletin PRO-01-2)	284718X* 284699X	286618X* 286554X	289339RX	-	107506X	107507X	-	-
	Detroit Diesel 0° Tilt 45° Tilt	276962RX 285252X	286539X -	289941X 101158X	108779X -	107513X -	107512X -	-	-
	Series 60 0° Tilt	-	286619X❶	106780X❶	-	107622X❶	107623X❶	-	-
	Detroit Diesel	-	-	-	-	-	-	-	5013695X
	International DT466	-	-	-	-	5014144X	-	-	-
	MT530	-	-	-	-	5004613X	5004614X	-	-
	MT	-	-	-	-	5014488X	5014489X	-	-
	I-6	-	-	-	-	5019320X 5019321X	5019322X	-	-

❶ Series 60 Compressors must be replaced with Series 60 Compressors only. Failure to do so will result in compressor damage.

\*Top Discharge - Cylinder Head

\*\*Tu-Flo® 700 Compressor Cylinder Head incorporates both side & top discharge

## Compressor Maintenance and Service Kits

	U-7 $\frac{1}{4}$ Compressor	E-12™ & F-12™ Compressor	BX-2150™ Compressor	Tu-Flo® 300 Compressor	Tu-Flo® 400 Compressor	Tu-Flo® 500 Compressor	Tu-Flo® 501 Compressor
NUMBER OF CYLINDERS	2	2	1	2	2	2	2
FIELD MAINT. KIT	NA	NA	108848N 109356 (CAT)	229415N	229416	229417N	287043N
UNLOADER KIT	NA	NA	108847N	279613N	279614	279615N	279615N
GASKET SET	NA	NA	NA	NA	280511	280512N	101558
PISTON RING SETS (3) = 3 ring piston (4) = 4 ring piston (5) = 5 ring piston Unless otherwise indicated one piston ring set services the entire compressor.							
Standard Size	226721N	225514	104045	226778N	226721N (4) 289603N (3)	225514	106105N (5)
.010 O.S.	226722N	225515N	104046	226779	226722N (4) 289604 (3)	225515N	106106 (5)
.020 O.S.	226723N	225516N	104047	226780	226723N (4) 289605 (3)	225516N	106107 (5)
.030 O.S.	226724	225517N	104048	226781	226724 (4) 289606 (3)	225517N	106108 (5)
.040 O.S.	NA	NA	NA	NA	NA	NA	5005216
PISTON AND WRIST PIN KITS (5) = 5 ring piston * These piston and wrist pin kits have a selected fit. A set contains one piston & one pin. All other piston & wrist pin kits have a non-selected fit and each kit contains one piston, one wrist pin & two wrist pin buttons.							
Standard Size	NA	NA	104049	225704N*	289438N	289928N	106109N (5)
.010 O.S.	NA	NA	104050N	226630*	289439N	289929N	106110N (5)
.020 O.S.	NA	NA	104051	226631*	289440N	289930N	106111N (5)
.030 O.S.	NA	NA	104052	226632*	289441	289931N	106112N (5)
.040 O.S.	NA	NA	NA	NA	NA	NA	5005217
ALUMINUM CONNECTING RODS (services 1 connecting rod)							
Without Inserts	229083	NA	NA	NA	229083	NA	NA
With Std. Inserts	229082N	NA	102398RX (Std.) 107465RX (.010 O.S.) 107466RX (.020 O.S.)	227479 (Std.)	229082N	NA	NA
STEEL CONNECTING RODS (services 1 connecting rod)							
Without Inserts	NA	229085	NA	NA	NA	229085	286258
With Std. Inserts	NA	NA	NA	NA	NA	NA	286259
CONNECTING ROD INSERT KIT (services 1 connecting rod)							
Standard Size	282763N	282767N	NA	NA	282763N	282767N 287062N(M)	286254N 287058N(M)
.010 O.S.	282764N	282768N	NA	NA	282764N	282768N 287063(M)	286255N 287059N(M)
.020 O.S.	282765N	282769N	NA	NA	282765N	282769N 287064(M)	286256N 287060N(M)
.030 O.S.	282766N	282770N	NA	NA	282766N	282770N	286257N 287061N(M)
.040 O.S.	NA	NA	NA	NA	NA	NA	5005218 5005219(M)
PISTON, RINGS & CONN. ROD KIT (services the entire compressor)	NA	NA	NA	NA	NA	NA	NA
CRANKSHAFT BEARING KIT	NA	NA	NA	NA	NA	NA	NA

(M) For Mack style compressors with power steering driven by the compressor crankshaft.

NA - Not Available

See pages 6 and 7 for BA-921® and BA-922® compressor kits.



## Compressor Maintenance and Service Kits

	Tu-Flo® 550 Compressor	Tu-Flo® 600 Compressor	Tu-Flo® 700 Compressor	Tu-Flo® 750 Compressor	Tu-Flo® 1000 Compressor	Tu-Flo® 1400 Compressor
NUMBER OF CYLINDERS	2	2	2	2	4	4
FIELD MAINT. KIT	107516N	229417N	289998N	107516N	229417N (2 req'd.)	104592
UNLOADER KIT	107515N	279615N	279615N	107515N	279615N (2 req'd.)	279615N (2 req'd.)
GASKET SET	NA	101559	101559	NA	NA	NA
PISTON RING SETS (3) = 3 ring piston (4) = 4 ring piston (5) = 5 ring piston Unless otherwise indicated one piston ring set services the entire compressor.						
Standard Size	107639N	282525N (5)	282525N	5005361	288646	282525N (2 req'd.)
.010 O.S.	107640	282526N (5)	282526N	5005362	288647N	282526N (2 req'd.)
.020 O.S.	107641	282527N (5)	282527N	5005363	288648	282527N (2 req'd.)
.030 O.S.	107642	282528N (5)	282528N	5005364	288649	282528N (2 req'd.)
PISTON AND WRIST PIN KITS (5) = 5 ring piston * These piston and wrist pin kits have a selected fit. A set contains one piston & one pin. All other piston & wrist pin kits have a non-selected fit and each kit contains one piston, one wrist pin & two wrist pin buttons.						
Standard Size	107647	289891N	289891N	107643	289928N	289891N
.010 O.S.	107648	289892N	289892N	107644	289929N	289892N
.020 O.S.	107649	289893	289893N	107645	289930N	289893N
.030 O.S.	107650	289894	289894N	107646	289931N	289894N
ALUMINUM CONNECTING RODS (services 1 connecting rod)						
Without Inserts	NA	NA	NA	NA	NA	NA
With Std. Inserts	NA	NA	NA	NA	NA	NA
STEEL CONNECTING RODS (services 1 connecting rod unless otherwise noted)						
Without Inserts	108841 (serv. 2)	229085	229085	108841 (serv. 2)	289029	229085
With Std. Inserts	NA	NA	NA	NA	NA	NA
CONNECTING ROD INSERT KIT (services 1 connecting rod unless otherwise noted)						
Standard Size	107651 (serv. 2)	282767N 287062N(M)	282767N	107651 (serv. 2)	282751N	282767N
.010 O.S.	107652 (serv. 2)	282768N 287063(M)	282768N 287063(M)	107652 (serv. 2)	282752N	282768N
.020 O.S.	107653 (serv. 2)	282769N 287064(M)	282769N 287064(M)	107653 (serv. 2)	282753N	282769N
.030 O.S.	107654 (serv. 2)	282770N	282770N	107654 (serv. 2)	282754N	282770N
PISTON, RINGS & CONN. ROD KIT (services the entire compressor)	108843 (std.) 5000334 (.010 O.S.) 5000333 (.020 O.S.) 5000332 (.030 O.S.)	NA	NA	108842N (std.) 5000331 (.010 O.S.) 5000330 (.020 O.S.) 5000329 (.030 O.S.)	NA	NA
CRANKSHAFT BEARING KIT	107969N	NA	NA	107969N	NA	NA

(M) For Mack style compressors with power steering driven by the compressor crankshaft.

NA - Not Available

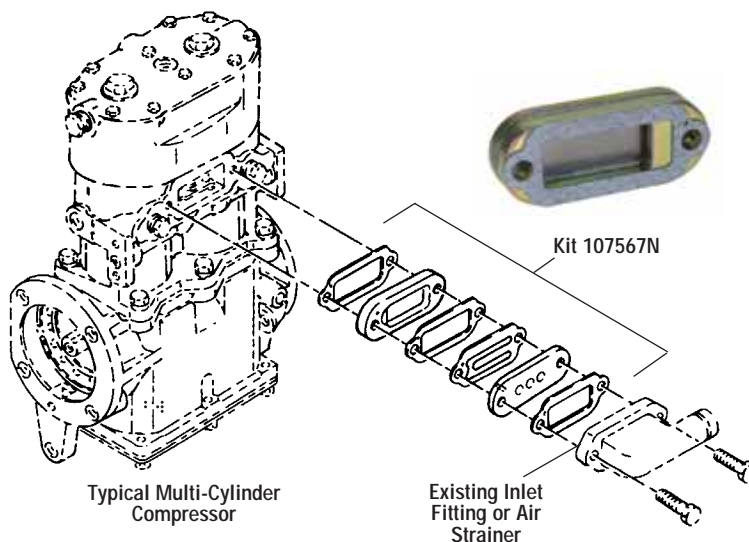
## Inlet Check Valve

The inlet check valve may be used on naturally aspirated compressors to prevent oil misting during the unloaded cycle. **Do Not** use the inlet check valve if the compressor inlet is connected to the pressure side of the supercharger or turbocharger.

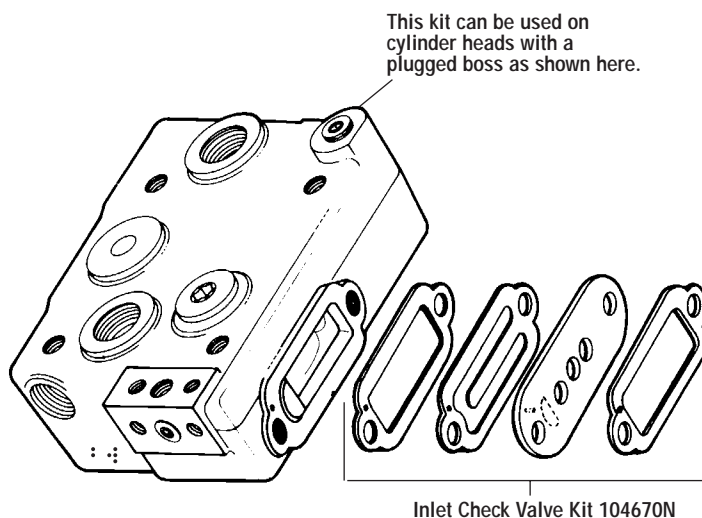
**Important:** *Installation of the inlet check valve assembly must be as shown in all illustrations.*

## Applications & Kits

Compressor	Kit	Comments
Tu-Flo® 300 Compressor	–	Not available for Tu-Flo® 300 Compressor
Tu-Flo® 400 Compressor	107567N	
BX-2150™ Compressor	See Illustration & Notes Below	
Tu-Flo® 500 Compressor	107567N	
Tu-Flo® 501 Compressor	107567N	
Tu-Flo® 550 Compressor	107567N	
Tu-Flo® 700 Compressor	107567N	
Tu-Flo® 750 Compressor	107567N	
Tu-Flo® 1000 Compressor	107567N	Two kits required
Tu-Flo® 1400 Compressor	107567N	Two kits required



## Inlet Check Valve Kit 104670N for BX-2150™ Compressor Cylinder Heads



## ST-4™ Safety Valve

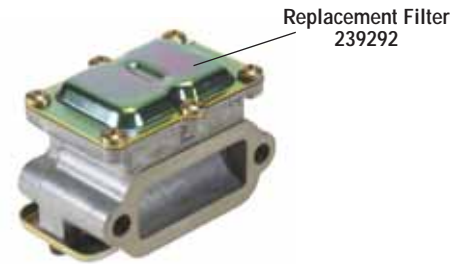
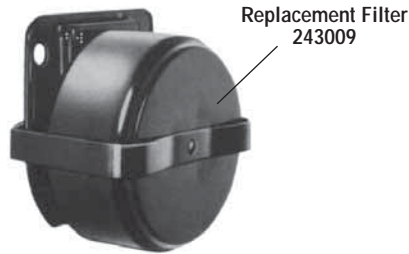
V.M.R.S. 13-010-073

ST-4™ Safety Valve Pc. No.	Used in Conjunction with	Pressure Setting	Thread	No. of Holes
131081		250 psi	1/2-14 NPT	2
800019		150 psi	1/2-14 NPT	2
800154		250 psi	1/2-14 NPT	2
800155		200 psi	1/4-18 NPT	1
800350	Dryer Reservoir Module	150 psi	1/4-18 NPT	1
800533		250 psi	3/4-16 UNF-2A	2
800534		250 psi	M16 x 1.5-6H	2
801116		250 psi	7/8-14 UNF-2A	2



See the valve section of this catalog for additional safety valves.

## Air Strainers

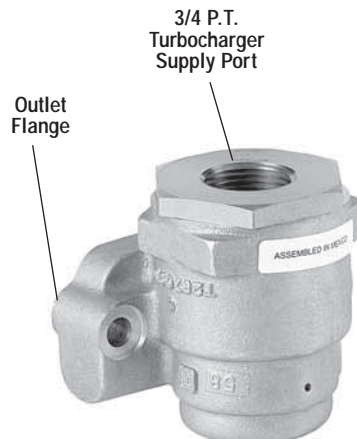


Kit includes air strainer & hardware.  
Can not be used on a Tu-Flo® 300 compressor.

Air Strainer Kit Pc. No.	Service New Pc. No.
278500N	279901N

Air Strainer Kit Pc. No.	Service New Pc. No.
227785N	226469N

## Inlet Regulating Valve



Service New Pc. No.
104171N

Do not use on a BX-2150™ Compressor.  
Can not be used on a Tu-Flo® 300 Compressor.

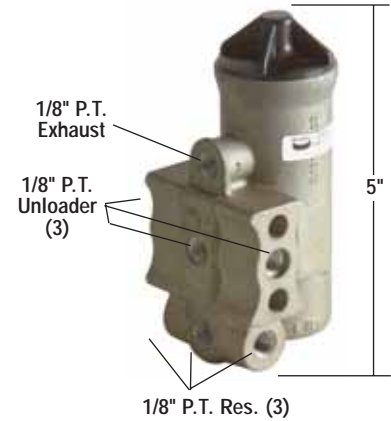
## D-2® Governor

- Available Remanufactured Exchange
- Maintenance Kit With High Temperature O-Rings Pc. No. 280915
- Maintenance Kit With Standard O-Rings 276121N
- Mounting gasket 5007834
- Governor Check Valve Kit 5004049
- Operating cut-in and cut-out pressures are adjustable to O.E. equivalent pressures except non-adjustable

V.M.R.S. 13-010-018

Reman. Exch. Pc. No.	Service New Pc. No.	Pressure Range P.S.I.	Comments
-	065018	100-120	Non-Adjustable
-	275200N	90-105	-
275491RX	275491N	100-120	-
-	275508N	95-110	-
-	275530N	105-125	-
275707RX	275707N	105-125	-
-	277486N	110-130	-
-	283657N	115-135	-
284358RX	284358N	105-125	See Note 1
-	800361N	105-130	Non-Adjustable

1 Governor supplied with high temperature o-rings and waterproof cover



D-2® Governor



D-2A™ Governor  
(Non-Adjustable)

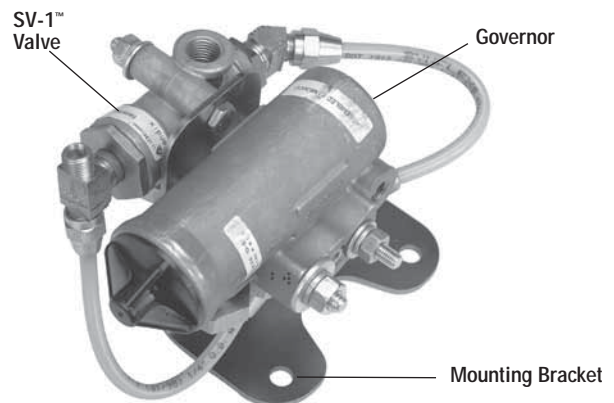
Governor Maintenance Kit  
Contents  
276121N and 280915



## D-2®/SV-1™ Module

Used in conjunction with the DuraFlo 596™ Compressor.

Service New D-2®/SV-1™ Pc. No.	Type
5005365	130 PSI D-2® Governor
5007116	Standard D-2®/SV-1™ Module
5007404N	(High Temperature) w/unloader hose D-2®/SV-1™ Module
5007801	Steel Piston SV-1™ Valve

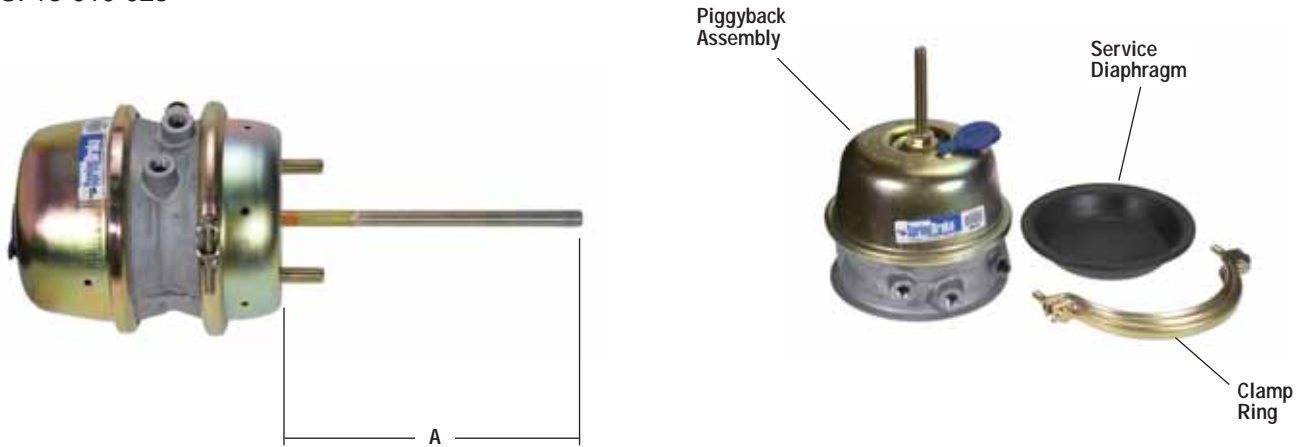






## Spring Brakes

V.M.R.S. 13-010-025



Type	Stroke	A Push Rod Length <sup>1</sup>	Spring Brake Service Pc. No.		Piggyback Kit <sup>3</sup>	Piggyback	Rubber Service Diaphragm	Service Return Spring
			Without Yoke	With Yoke <sup>2</sup>				
24/24	2.50"	8.00"	800829	K024851	K025325	5007124	802489	800919
24/30	2.50"	8.00"	800830	K022939	N/A	5007125		
30/30	2.50"	5.62"	802705	802631	5007610	5007126	802490	
		7.80"	800831	5007132N				
		9.75"	802547	N/A				
		12.00"	801300	N/A				
30/36	2.50"	8.00"	K022884	K022883	5011594	801377	801379	
		9.75"	802541	N/A				
30/36	2.50"	7.80"	800832	N/A	K024654	5007127	802490	
		8.00"	K022896	K022885				

<sup>1</sup> Push rod length measured in the fully retracted, zero stroke position.

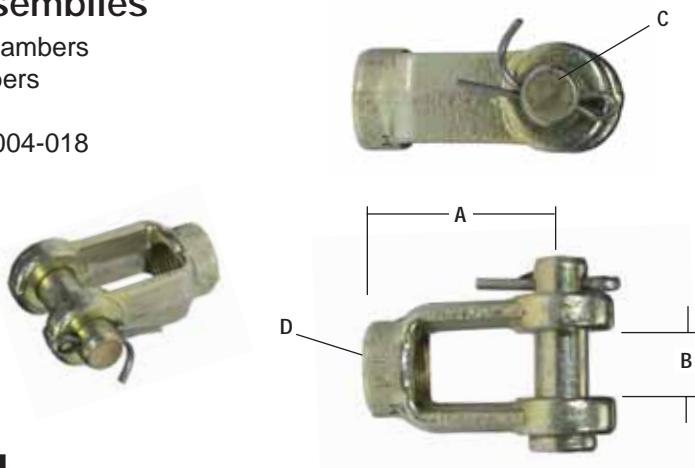
<sup>2</sup> Yoke part number 228790N is included. See yoke information below.

<sup>3</sup> Piggyback kit includes: Piggyback assembly, clamp bands with hardware, and a rubber service diaphragm.

## Yoke Assemblies

For Brake Chambers  
& Rotochambers

V.M.R.S. 13-004-018

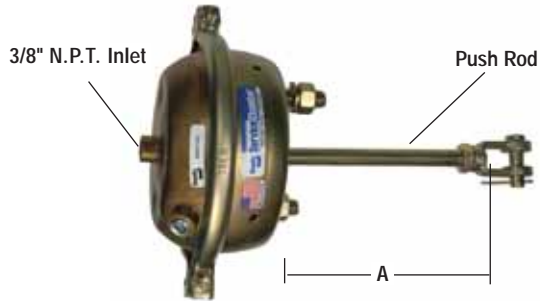


Yoke Assembly Pc. No.	A End to Pin	B Slot Width	C Pin Dia.	D Thread Size
205948N	1-3/4"	9/16"	1/2"	1/2-20
228790N	1-3/4"	9/16"	1/2"	5/8-18
228798N	1-3/4"	9/16"	5/8"	5/8-18
229496N	1-7/8"	13/16"	3/4"	5/8-18
282592N	2"	13/16"	3/4"	3/4-16

## Brake Chambers

Fully Threaded Push Rod

V.M.R.S. 13-010-034



Brake Chamber Type	Stroke	Service New Pc. No.	A Push Rod Length	Yoke Included	Rubber Diaphragm	Spring
16	2.25"	800823	8.60"	No	234189	234192
20	2.50"	802990	8.20"	No	234099	234129
24	2.50"	802987	7.80"	No	234100	234130
30	2.50"	801685	6.00"	No	234101	234131
		800826	7.60"	No		
		802933	7.60"	Yes		
		802988	7.75"	No		



Diaphragm



Spring

## Rotochambers

V.M.R.S. 13-010-034

Fully Threaded Push Rod



Spring



Diaphragm

Type	Service New Pc. No.	Port Size (NPT)	A Diameter	B Push Rod Length	Push Rod Thread	Diaphragm Material and Size			Spring
						Rubber	Neoprene	Diameter	
9	229814	1/4"-18	4-3/4"	13"	1/2"-20	234172	236524	4-5/16"	231481
12	229815	3/8"-18	5-9/32"	11"	1/2"-20	231506	236525	4-27/32"	231513
16	229816	3/8"-18	5-7/8"	7-7/8"	1/2"-20	231525	236526	5-7/16"	231531
20	229817	3/8"-18	6-13/32"	6-7/8"	1/2"-20	231982	236527	5-31/32"	231933
24	229818	1/4"-18	6-15/16"	5-13/16"	1/2"-20	231516	236528	6-7/16"	231522
30	229819	1/4"-18	7-17/32"	9-1/16"	5/8"-18	231543	236529	7-3/32"	231549
36	229820	1/4"-18	8-5/32"	8-1/16"	5/8"-18	231534	236530	7-21/32"	231540
50	229821	3/8"-18	9-13/32"	10-15/16"	3/4"-16	231491	236531	8-29/32"	231498

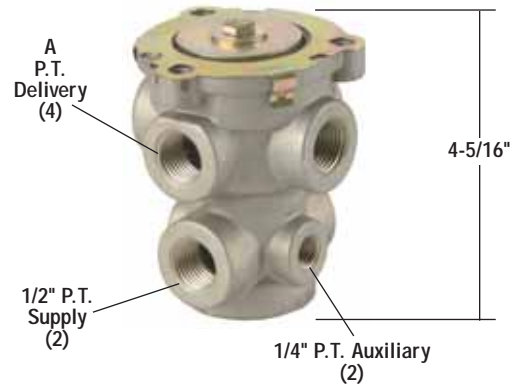
## E-2™ Brake Valve (Basic)

- Available Remanufactured Exchange
- Maintenance Kits
  - Pc. No. 276119N Minor Repair
  - Pc. No. 289324N Major Repair

Treadle and Mounting Plate  
Not Furnished. If Required, Refer To  
Master Parts Catalog.

V.M.R.S. 13-010-019

Reman. Exch. Pc. No.	Service New Pc. No.	A Pipe Thread (Delivery)
229500RX	229500N	3/8"
229501RX	229501N	1/2"

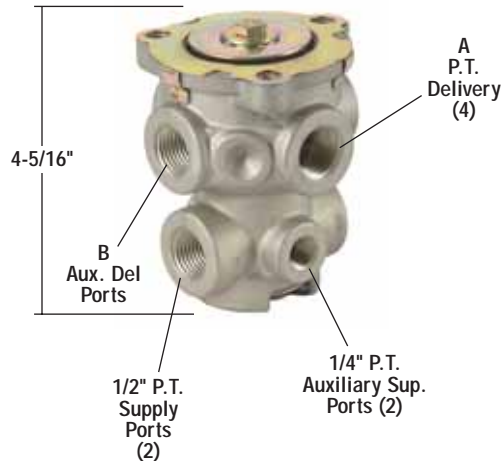


## E-3™ Brake Valve (Basic)

- Available Remanufactured Exchange
- Maintenance Kits
  - Pc. No. 276119N Minor Repair
  - Pc. No. 289329N Major Repair

Treadle and Mounting Plate  
Not Furnished. If Required Refer To  
Master Parts Catalog.

V.M.R.S. 13-010-019



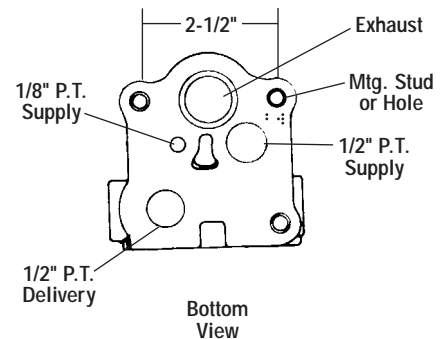
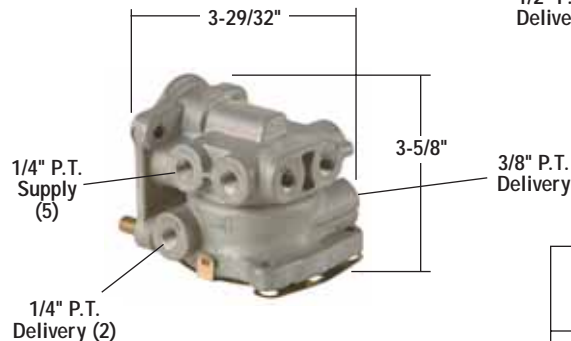
Reman. Exch. Pc. No.	Service New Pc. No.	A Pipe Thread (Delivery)	B Auxiliary Ports
277863RX	277863N	1/2"	NONE
278998RX	278998	1/2"	2-1/4"

## E-5™ Brake Valve (Basic)

- Available Remanufactured Exchange
- Maintenance Kits
  - Pc. No. 281084N Minor Repair
  - Pc. No. 289334N Major Repair

Pedal and Mounting Plate Not  
Furnished. If Required Refer To Master  
Parts Catalog.

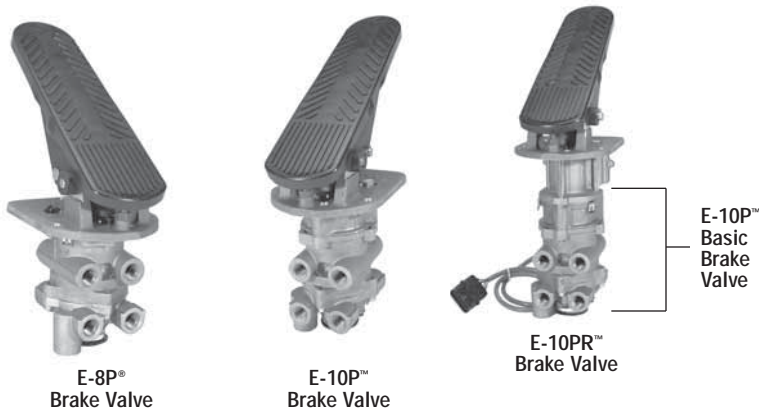
V.M.R.S. 13-010-019



Service New Pc. No.
279950N

## E-8P®, E-10P™ & E-10PR™ Dual Brake Valves

V.M.R.S. 13-010-051



Service New E-8P® Brake Valve	Replaces E-12™ Brake Valve	Comments
800629	065313, 800583	Lower Body Rotated 90°
800630	065458	Lower Body Rotated 90°
800631	065460, 800407	1/2" NPT Exhaust

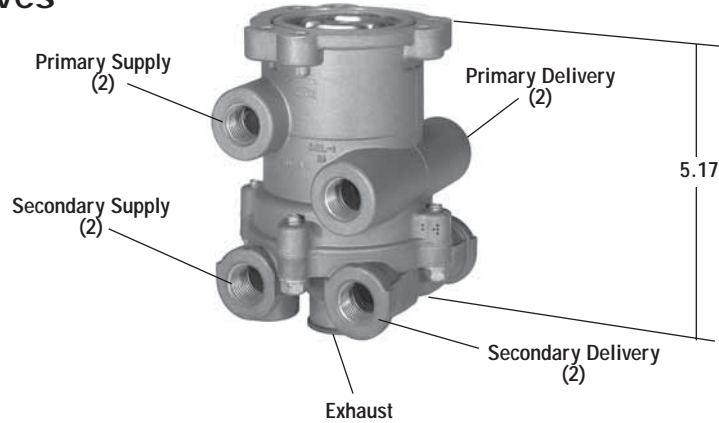
Service New E-10P™ Brake Valve	Replaces E-15™ Brake Valve
800632	065315
	800318

Service New E-10P™ Brake Valve	Replaces E-15R™ Brake Valve
800632	800319

## E-12™ & E-15™ Dual Brake Valves

- Maintenance Kit Pc. No. 108367 Minor

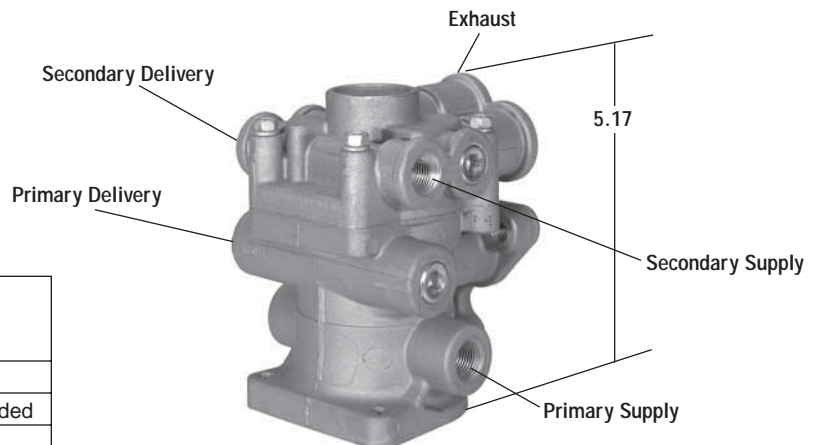
V.M.R.S. 13-010-051



## E-14™ Dual Brake Valve (Basic)

- Maintenance Kit Pc. No. 108367 Minor

V.M.R.S. 13-010-051



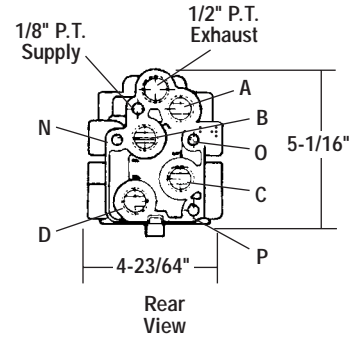
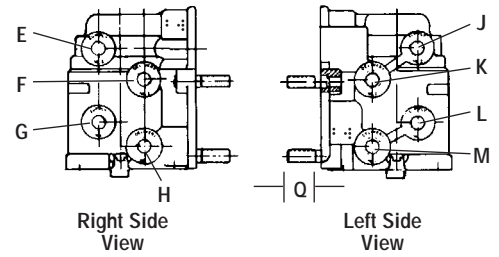
Service New Pc. No.	Comments
065314	—
065317	Exhaust Port Threaded
065395	Used with Manifold

## E-7™ Dual Brake Valve (Basic)

- Available Remanufactured Exchange
- Maintenance Kits
  - Pc. No. 289352N Minor Repair
  - Pc. No. 289353 Major Repair

Pedal and Mounting Plate Not Furnished. If Required Refer To Master Parts Catalog.

V.M.R.S. 13-010-051



Reman. Exch. Pc. No.	Service New Pc. No.	Port Thread Sizes & Locations												Mtg. Studs in Positions "N", "O" "P" Above	Stud Length Q	Stud Thread Size
		A	B	C	D	E	F	G	H	J	K	L	M			
†284760RX	†284760N	No Thd	No Thd	No Thd	No Thd	1/4	-	1/4	-	-	-	-	-	No	-	-
286773RX	286773	1/2	1/2	1/2	1/2	1/4	1/4	1/4	1/4	1/4	1/4	1/4	1/4	Yes	1-1/2"	3/8"-24
286775RX	-	1/2	1/2	1/2	1/2	1/4	1/4	1/4	1/4	1/4	1/4	1/4	1/4	Yes	3/4"	3/8"-16
284711RX	287411N	1/2	1/2	1/2	1/2	1/4	1/4	1/4	1/4	3/8	3/8	3/8	3/8	No	-	-
*287564RX	*287564N	1/2	1/2	1/2	1/2	1/4	3/8	1/4	3/8	1/4	1/4	1/4	1/4	Yes	15/16"	3/8"-16
*288383RX	*288383N	1/2	1/2	1/2	1/2	1/4	1/4	1/4	1/4	1/4	1/4	1/4	1/4	No	-	-

† Ford Basic Valve Kit: INCLUDES BASIC VALVE & 10 SEALING RINGS

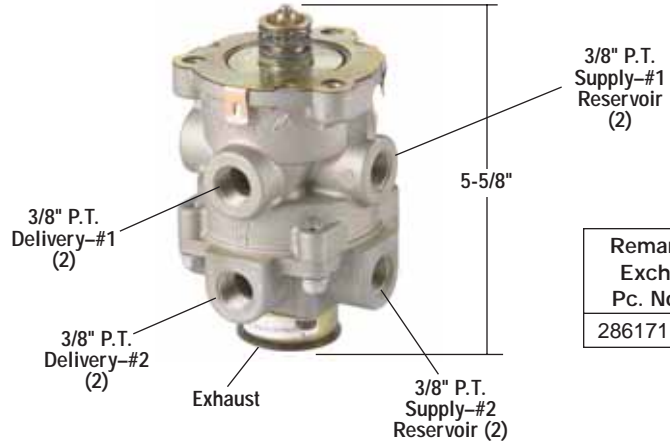
\* EXHAUST PORT CONTAINS DIAPHRAGM

## E-6® Dual Brake Valve (Basic)

- Available Remanufactured Exchange
- Maintenance Kits
  - Pc. No. 287368N Minor Repair
  - Pc. No. 289335N Major Repair

Treadle and Mounting Plate Not Furnished.  
If Required Refer To Master Parts Catalog.

V.M.R.S. 13-010-051



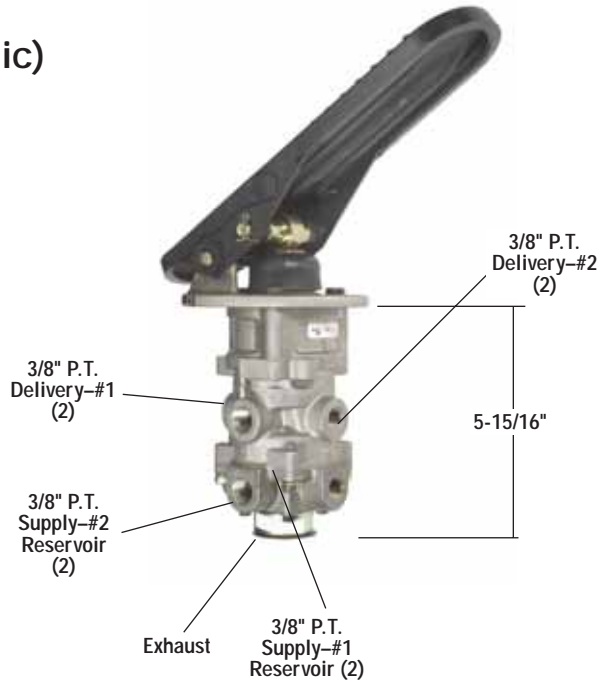
Reman. Exch. Pc. No.	Service New Pc. No.
286171RX	286171N

## E-10™ Dual Brake Valves (Basic)

- Maintenance Kit
  - Pc. No. 102100

Treadle and Mounting Plate Not Furnished.  
If Required, Refer to Master Parts Catalog.

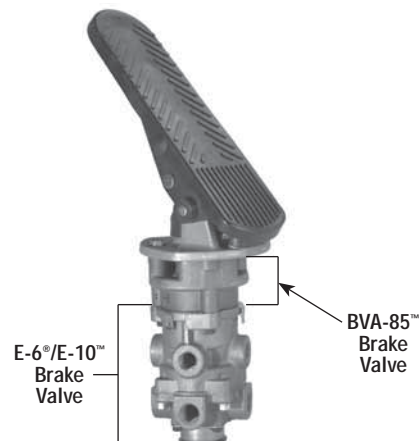
V.M.R.S. 13-010-051



Reman. Exch. Pc. No.	Service New Pc. No.
101100RX	101100N

## BVA-85™ Brake Valve Actuator

Service New Pc. No.	Comments
5009593	Push to connect fittings
5009594	NPT Ports

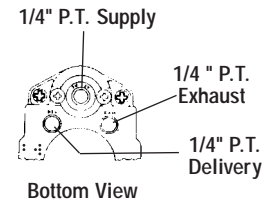
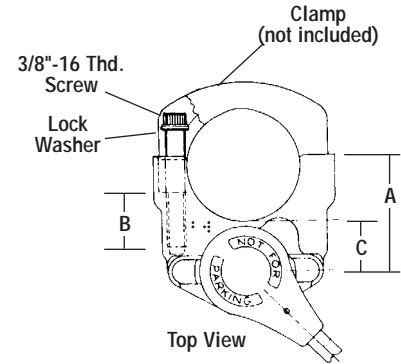


## TC-2™ Brake Valve (Basic)

- Available Remanufactured Exchange
- Maintenance Kit  
Pc. No. 276122

Handle - Not Furnished. If Required  
Refer To Master Parts Catalog.

V.M.R.S. 13-010-014



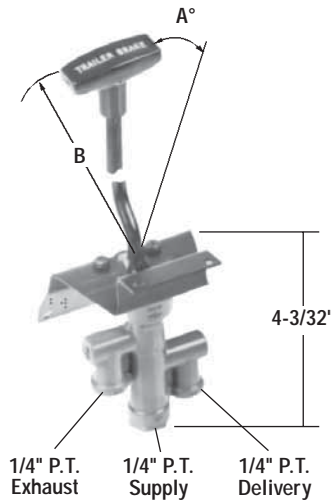
Reman. Exch. Pc. No.	Service New Pc. No.	Grad. Range Pressure (p.s.i.)	Final Delivery Pressure (p.s.i.)	A	B Thd./Drill Depth	C
-	101460	5-125	125	2.35"	1.4	.97"
276270RX	276270N	5-80	Reservoir	3.44"	1.1	2.1"
-	800172	5-125	Reservoir	1.25"	Through	.09"
-	800173	5-80	80	1.25"	Through	.09"

## TC-6™ Brake Valve

- Maintenance Kit  
Pc. No. 289890

Mounting Plate Not Furnished. If Required Refer To Master Parts Catalog.

V.M.R.S. 13-010-159



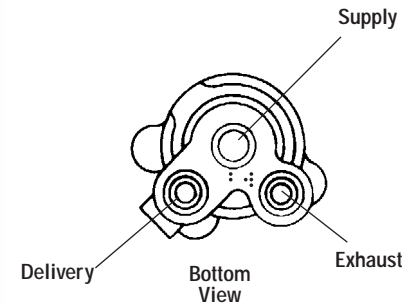
Service New Pc. No.	Handle		Final Delivery Pressure (p.s.i.)
	A°	B	
065512	55	7.03"	85
106385	55	8.93" Self Returning	85
101786N	75	8.52"	120
289884N	75	4.5"	120
289885N	75	4.5"	50
5003601N	55	8.9"	85

## TC-7™ Brake Valve

- Maintenance Kit  
Pc. No. 102145

Handle and Mounting Bracket Not Furnished. If Required Refer To Master Parts Catalog.

V.M.R.S. 13-010-159



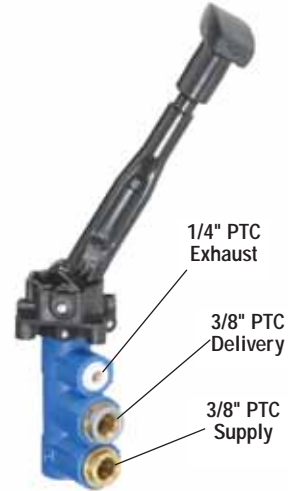
Service New Pc. No.	Remarks	Handle Travel	Final Delivery Pressure	Ports*
101860	Positioning	71° CW	Reservoir	1/4" PT
102394N	Self returning	71° CW	Reservoir	1/4" PT
102707	Positioning	50° CW	80 psi	1/4" PT
108233N	Self returning	50° CW	80 psi	1/4" PT
800960	Positioning	71° CW	Reservoir	3/8" PTC
802672	Self returning	71° CW	Reservoir	3/8" PTC

\*PTC - Push To Connect



## TCS-9000™ Control Valve

Service New Pc. No.
802033

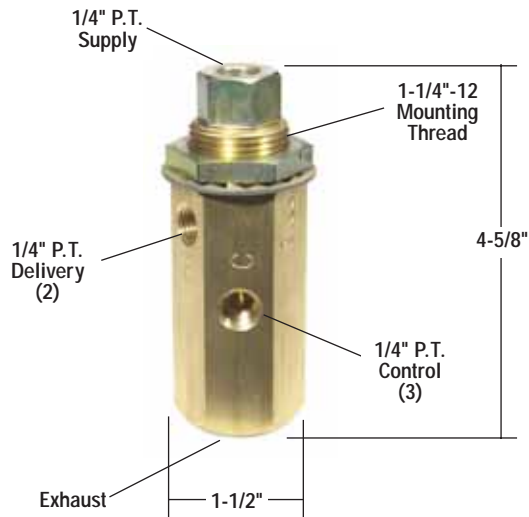


## TR-2™ Inversion Valve

- Available Remanufactured Exchange
- Maintenance Kit 281138N

V.M.R.S. 13-010-047

**NOTE:** With 125 P.S.I. supply pressure, valve must begin to exhaust at 65 P.S.I. nominal ascending control pressure. Valve must deliver full supply pressure with 40 P.S.I. nominal descending control pressure.



Reman. Exch. Pc. No.	Service New Pc. No.
277340RX	277340N

## TR-3™ Inversion Valve

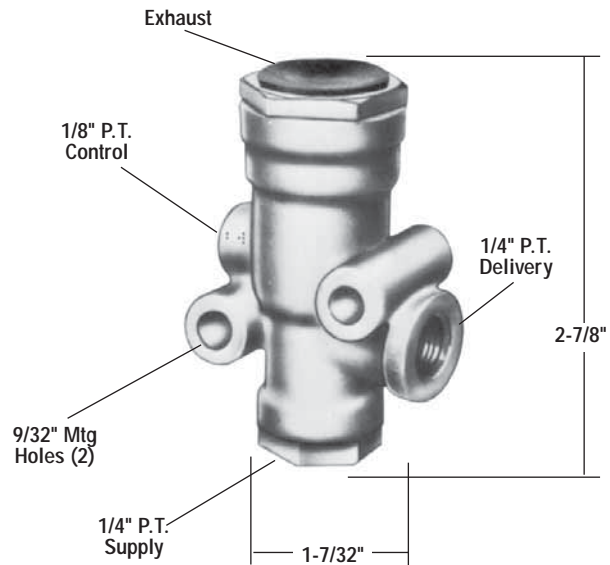
- Available Remanufactured Exchange

V.M.R.S. 13-010-047

**NOTE:** With common control & supply pressure, inlet opens at "A" P.S.I. descending pressure and exhaust opens at "B" P.S.I. ascending pressure.

Reman. Exch. Pc. No.	Service New Pc. No.	A PSI	B PSI
--	280758N	45	60
281318RX	281318N	35	70
281459RX	281459N	25	40
*101450RX	*101450N	25	40

\*Special Duty-Bus Application

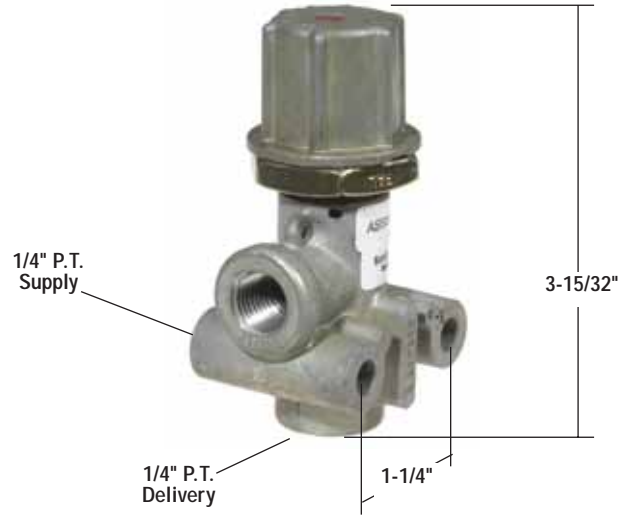


## PR-2™ Pressure Protection Valve

V.M.R.S. 13-010-044

With Adjustable Pressure Setting.

Reman. Exch. Pc. No.	Service New Pc. No.	Nominal Closing Pressure P.S.I.	Comments
277147RX	277147N	65	
277148RX	277148N	85	
—	277222N	95	
277226RX	277226N	60	
—	277227N	75	
—	279505N	65	w/lockwire
—	281467N	50	—
—	282517N	60	w/lockwire



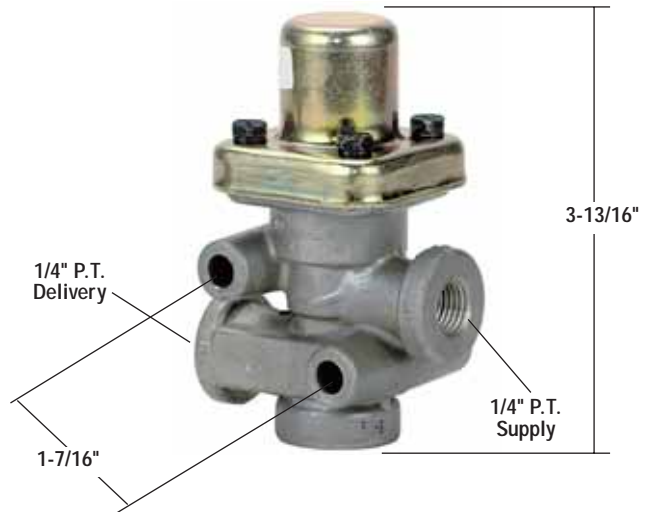
## PR-4™ Pressure Protection Valve

• Maintenance Kit Pc. No. 287366 (Note: Not for use with Pc. No. 103976N)

V.M.R.S. 13-010-044

Fixed Pressure Setting.

Reman. Exch. Pc. No.	Service New Pc. No.	Nominal Closing Pressure	Supply & Delivery Ports
286500RX	286500N	85 P.S.I.	1/4"
288323RX	288323N	70 P.S.I.	1/4"



## Double Check Valves

V.M.R.S. 13-010-092



Service New Pc. No.	Pipe Thread Dimensions		
	A	B	C
278614N	3/8"	3/8"	3/8"
278615N	1/4"	1/4"	1/4"

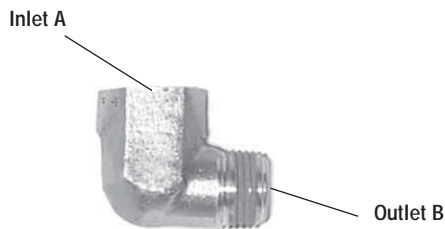
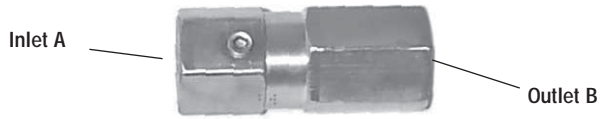


Service New Pc. No.	Pipe Thread Dimensions			
	A	B	C	D
278595N	1/4"	1/4"	1/2"	1/4"
278596N	3/8"	3/8"	1/2"	1/4"
278597N	1/4"	1/4"	3/8"	1/4"
278598N	3/8"	3/8"	3/8"	1/4"
280809N	3/8"	3/8"	3/8"	3/8"

## Single Check Valves

• SC-3™ valves replace both the SC-1™ and SC-2™ valves

V.M.R.S. 13-010-013



Single Check Valve: Female inlet – Female outlet		
A	B	Service New Pc. No.
1/4"	1/4"	801144
1/2"	1/2"	800370
3/4"	3/4"	800369

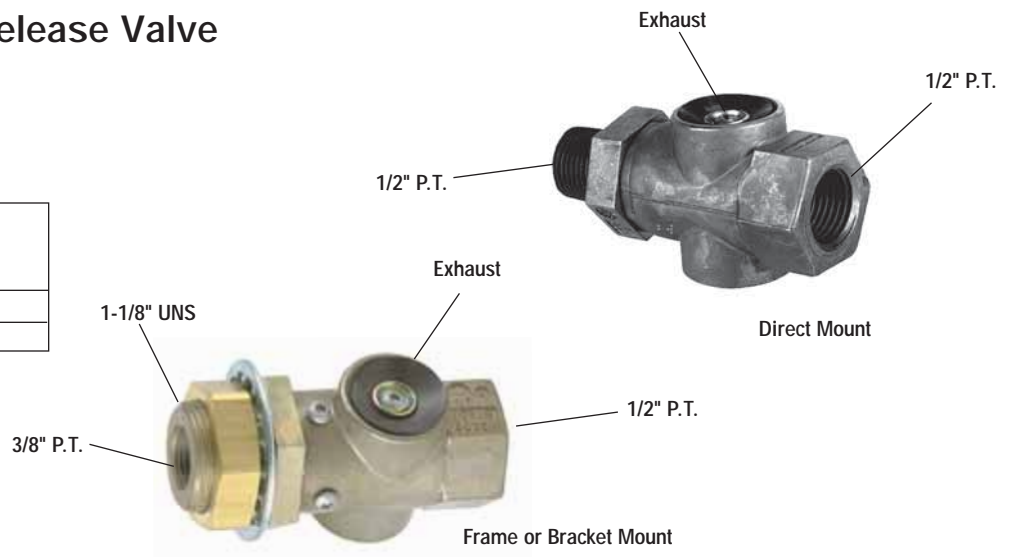
Single Check Valve: Female inlet – Male outlet		
A	B	Service New Pc. No.
1/4"	1/8"	800374
1/4"	1/4"	800375
3/8"	3/8"	800373
1/2"	1/2"	800372

Single Check Valve: Female inlet – Male outlet		
A	B	Service New Pc. No.
1/2"	1/2"	800376

## QR-L™ Inline Quick Release Valve

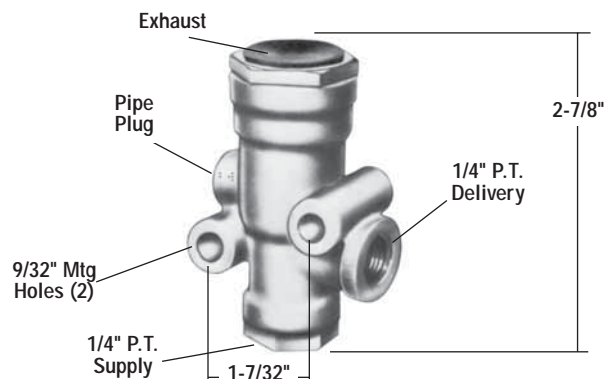
V.M.R.S. 13-010-008

Service New Pc. No.	Description
800332	Frame or Bracket Mount
800333	Direct Mount



## RV-3™ Pressure Reducing Valve

Service New Pc. No.	Delivery Pressure
101837N	85 psi
107154N	44 psi



## QRN-2™ Quick Release Valve

The QRN-2™ quick release valve is a lightweight, nonmetallic quick release valve.

Supply port: 1/2" or 3/8"  
V.M.R.S. 13-010-008

Service New Pc. No.	Supply Port	Crack Press.	Delivery Ports
800064	3/8" NPT	0 PSI	3/8" NPT
800063	1/2" NPT	0 PSI	3/8" NPT
800219	1/2" P.T.C.	0 PSI	1/2" P.T.C.

P.T.C. - Push-to-connect fittings



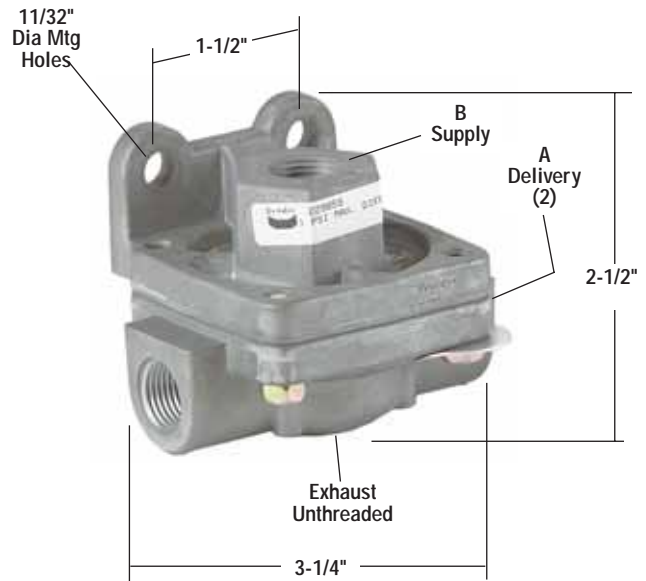
## QR-1® Quick Release Valve

- Available Remanufactured Exchange
- Use maintenance kit piece no. 260519 to convert 0 PSI crack pressure valves to 1 PSI

V.M.R.S. 13-010-008

Reman. Exch. Pc. No.	Service New Pc. No.	Port P.T. Size		Crack Press.	Comment
		A	B		
229813RX	229813N	1/4"	3/8"	0 PSI	
229844RX	229844N	1/4"	1/2"	0 PSI	
229859RX	229859N	3/8"	3/8"	0 PSI	
229860RX	229860N	3/8"	1/2"	0 PSI	
281024RX	281024N	1/4"	1/4"	0 PSI	
*288251RX	*288251N	3/8"	3/8"	0 PSI	
278483RX	278483N	3/8"	1/2"	5-8 PSI	
-	102344N	3/8"	3/8"	10-16 PSI	
289525RX	289042N	1/4"	3/8"	1 PSI max	w/insert
289525RX	289525N	3/8"	3/8"	1 PSI max	w/insert

\*3/8" P.T. Exhaust Port

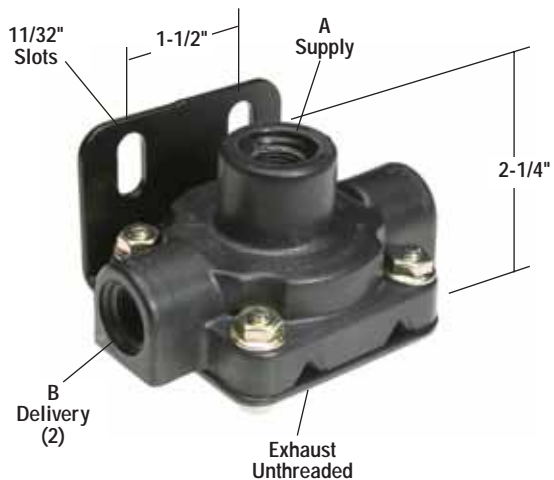


## QRN™ Quick Release Valve

- Maintenance Kit 104463

V.M.R.S. 13-010-008

Service New Pc. No.	Port Sizes		Crack Press	Mtg.
	A Supply	B Delivery		
802745	1/2"	3/8"	1 PSI Max	.34 holes
802743	3/8"	3/8"	1 PSI Max	.34 holes
802741	3/8"	3/8"	5-8 PSI	.34 holes
802744	3/8"	3/8"	1 PSI Max	.34 x .75 slots
065213	3/8"	3/8"	4.5-7.5 PSI	.34 x .75 slots
065214	3/8"	3/8"	2-4.5 PSI	.34 x .75 slots
802742	1/2"	3/8"	5-8 PSI	.34 holes
065311	1/2"	3/8"	4.5-7.5 PSI	.34 x .75 slots
065347	1/2"	3/8"	2-4.5 PSI	.34 x .75 slots
800439	1/2"	3/8"	2-4.5 PSI	-

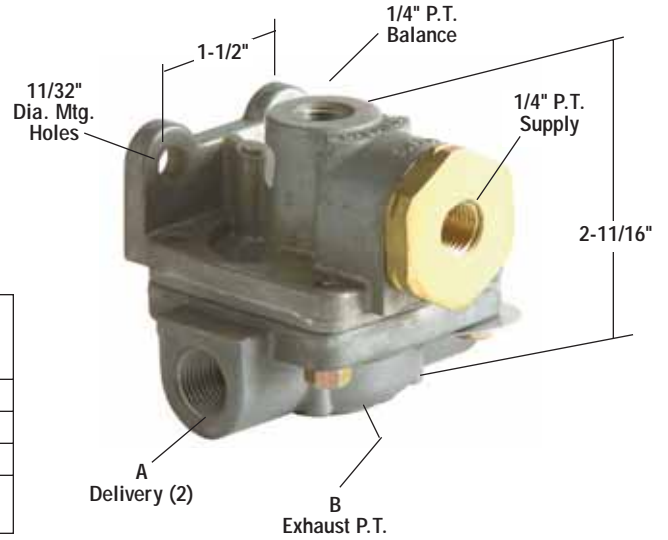


## QR-1C® Quick Release Valve

- Available Remanufactured Exchange
- Unless noted otherwise, crack pressure is 0 PSI
- Use maintenance kit piece no. 260519 to convert 0 PSI crack pressure valves to 1 PSI

V.M.R.S. 13-010-008

Reman. Exch. Pc. No.	Service New Pc. No.	A Delivery P.T. Size	B Exhaust P.T. Size	Comments
289182RX	289182N	1/4"	—	—
289714RX	289714N	3/8"	—	—
—	107881N	3/8"	1/2" w/Silencer	—
—	800539	3/8"	—	1 psi max differential

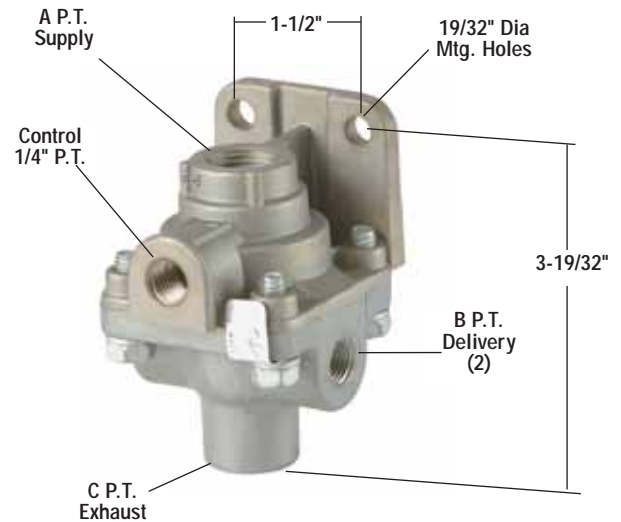


## LQ-2™ Limiting and Quick Release Valve

- Available Remanufactured Exchange
- Maintenance Kit 282098N

V.M.R.S. 13-010-008

Reman. Exch. Pc. No.	Service New Pc. No.	A Pipe Thread	B Pipe Thread	C Pipe Thread
229505RX	229505N	3/8"	3/8"	—
229507RX	229507N	1/2"	1/4"	—
229509RX	229509N	3/8"	1/4"	—
288417RX	288417N	3/8"	3/8"	3/8"

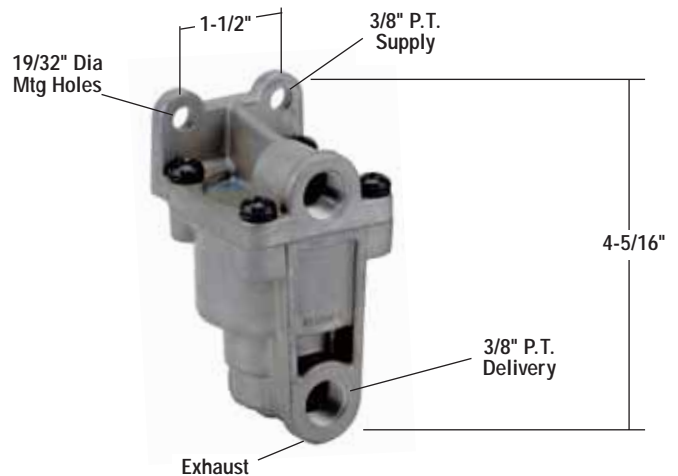


## LQ-4™ Front Axle Ratio Valve

- Available Remanufactured Exchange
- Maintenance Kit 289500N

V.M.R.S. 13-010-034

Reman. Exch. Pc. No.	Service New Pc. No.	Nominal Hold Off Pressure	Nominal Equalizing Pressure
101311RX	101311N	20	70
289144RX	289144N	4	60
289148RX	289148N	10	65

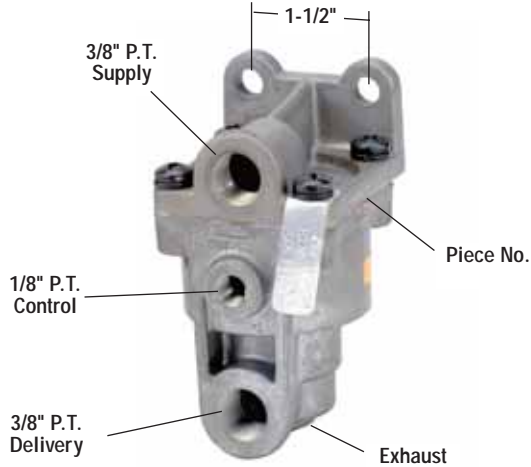


## LQ-5™ Bobtail Limiting Valve

- Available Remanufactured Exchange
- Maintenance Kit 107195

V.M.R.S. 13-010-010

Reman. Exch. Pc. No.	Service New Pc. No.
065154RX	065154



## BP-1™ Air Brake Proportioning Valve

- BP-1™ Air Brake Proportioning Valve Front Maintenance Kit 104710
- BP-1™ Air Brake Proportioning Valve Rear Maintenance Kit 104711

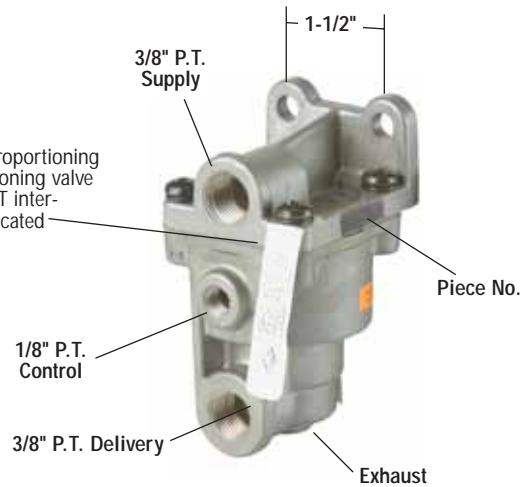
V.M.R.S. 13-010-222

Front Service New Pc. No.	Nominal Hold Off Press (P.S.I.)	Nominal Equalizing Pressure (P.S.I.)
104598N	4	50

V.M.R.S. 13-010-222

Rear Service New Pc. No.	Nominal Inshot Pressure (P.S.I.)	Nominal Equalizing Pressure (P.S.I.)
106284	8	105

**Caution:** The BP-1™ front air brake proportioning valve & BP-1™ rear air brake proportioning valve are similar in appearance but are NOT interchangeable. Note identification tag located



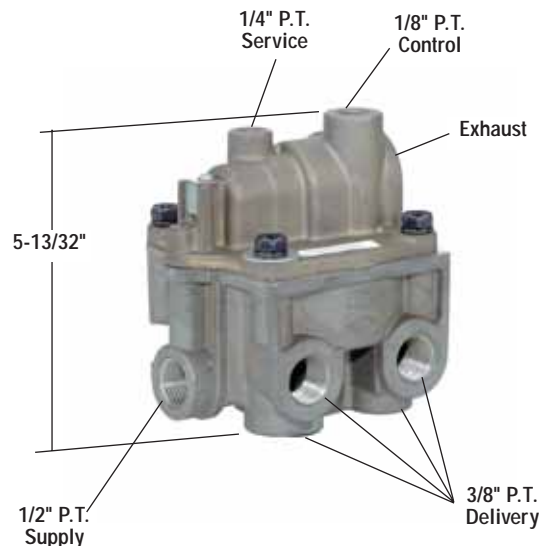
- Field Installation Kit 209924 (vehicles with front axle limiting)

## BP-R1® Bobtail Brake Proportioning Relay Valve

- Maintenance Kit 106932
- Universal Mounting Bracket 296010N furnished with Exchange Valve

V.M.R.S. 13-010-222

Reman. Exch. Pc. No.	Service New Pc. No.	Crack Pressure
065145RX	065145N	4
065146RX	065146N	5.5



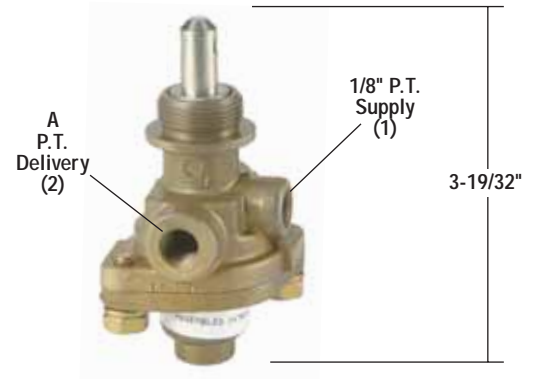
## PP-1® Control Valve

- Available Remanufactured Exchange
- Maintenance Kit 281126N
- Button and Mtg. Nut not furnished with Exchange Valve
- Refer to Master Parts Catalog for Button or Dial Plate Pc. No.

V.M.R.S. 13-010-016

Reman. Exch. Pc. No.	Service New Pc. No.	Automatic Release Pressure	A P.T.
276566RX	276566N	20 PSI	1/8"
276567RX	276567N	40 PSI	1/8"
278450RX	278450N	–	1/8"
*281587RX	–	40 PSI	1/8"
283828RX	283828N	60 PSI	1/8"
287417RX	287417N	30 PSI	1/4"
287600RX	287600N	40 PSI	1/4"

\*Remote controlled

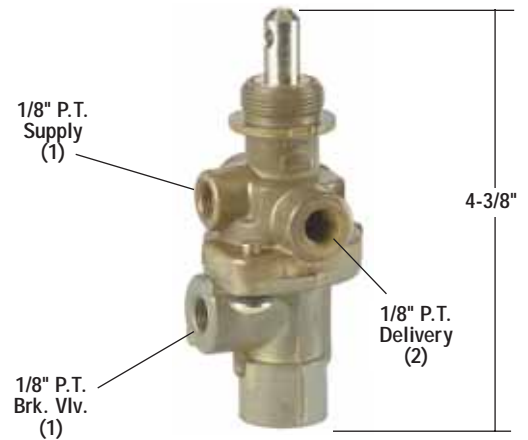


## PP-2™ Control Valve (Pressure Balanced)

- Available Remanufactured Exchange
- Maintenance Kit 281127N
- Button and Mtg. Nut not furnished with Exchange Valve
- Refer to Master Parts Catalog for Button or Dial Plate Pc. No.

V.M.R.S. 13-010-104

Reman. Exch. Pc. No.	Service New Pc. No.	Automatic Release Pressure
276462RX	276462N	40 PSI



## PP-3™ Control Valve (Automatic Tripper)

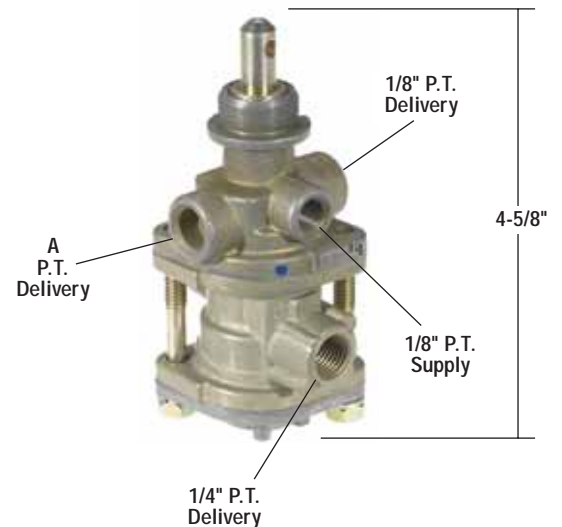
- Available Remanufactured Exchange
- Maintenance Kit 280857N
- Button and Mtg. Nut not furnished with Exchange Valve
- Refer to Master Parts Catalog for Button or Dial Plate Pc. No.

V.M.R.S. 13-010-016

Reman. Exch. Pc. No.	Service New Pc. No.	A P.T.
†*279787RX	†*279787	None
288746RX	288746N	None
289477RX	289477	1/8"
*289512RX	–	1/8"

Tripper Exhausts at 30 P.S.I. & Charges above 50 P.S.I. Plunger Trips at 40 P.S.I. and Charges Manually.

\*Remote Controlled  
†Mtg. Nut Furnished

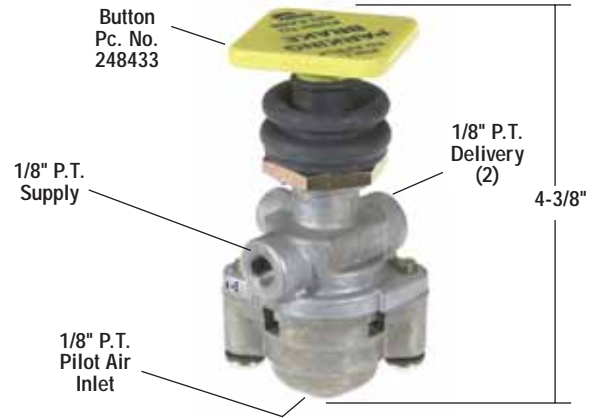


## PP-5™ Control Valve (With Pilot Air Release)

- Maintenance Kit 281949
- Button is Furnished with Valve Pc. No. 284744N
- Refer to Master Parts Catalog for Button Pc. No.

V.M.R.S. 13-010-104

Service New Pc. No.	Automatic Release Pressure
281946N	40 PSI
284744N	Manual



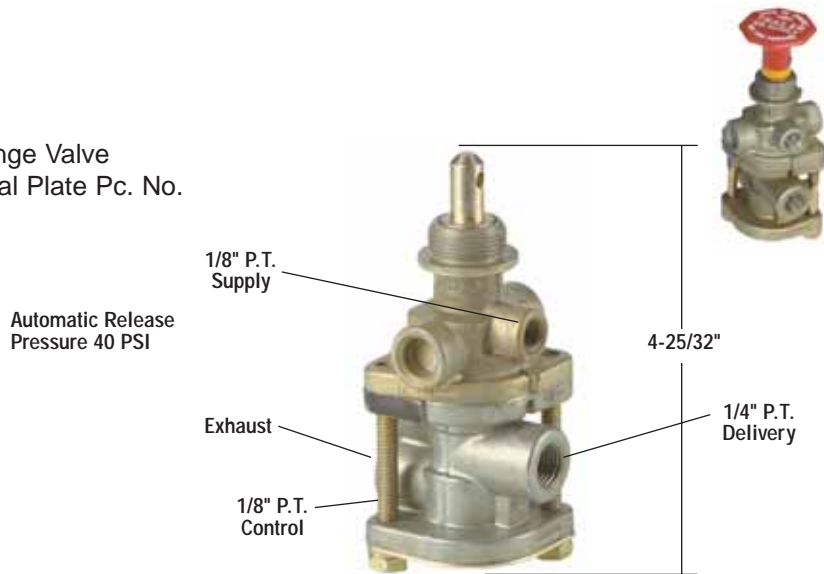
## PP-7™ Trailer Supply Valve

- Available Remanufactured Exchange
- Maintenance Kit 287367
- Button and Mtg. Nut not furnished with Exchange Valve
- Refer to Master Parts Catalog for Button or Dial Plate Pc. No.

V.M.R.S. 13-010-016

Reman. Exch. Pc. No.	Service New Pc. No.	Threaded Exhaust Port
288239RX	288239N	–
288241X	–	1/4"
*288242RX	*288242	–

\* Remote Controlled



## E-Z-Grip® Soft Button Cover

Service Pc. No.	Button Shape	Description
801526	□	Fits MV-3®/PP-DC® Valve Style
801593	□	Fits PP-1® Valve Style
802123	○	Fits PP-7™ Valve Style
802124	○ and □	Contains both MV-3® Button Covers



Button not included

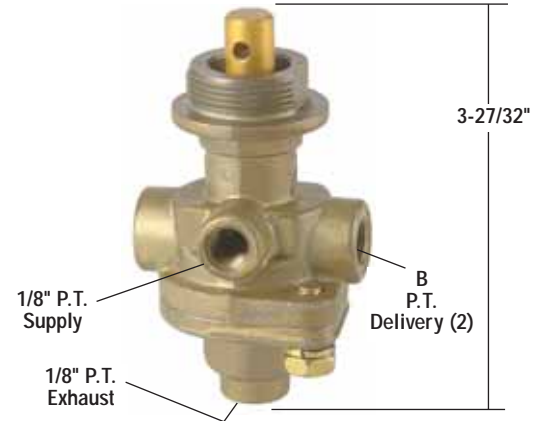


## PP-8™ Control Valve

- Available Remanufactured Exchange
- Button and Mounting Nut not Furnished with Exchange Valve
- Refer to Master Parts Catalog for Button or Dial Plate Pc. No.

V.M.R.S. 13-010-104

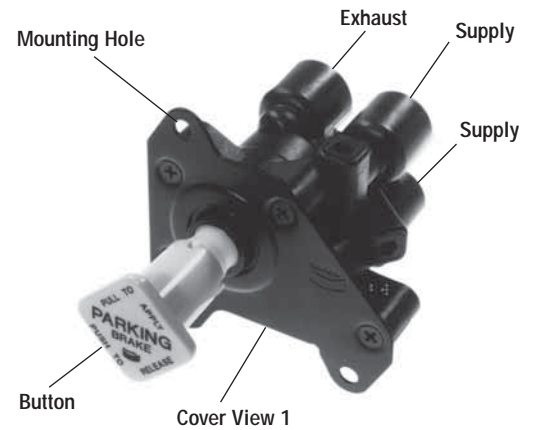
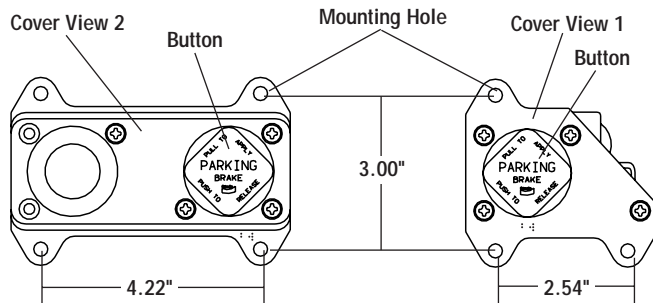
Reman. Exch. Pc. No.	Service New Pc. No.	B P.T.
287238RX	287238N	1/8"
287418RX	287418N	1/4"



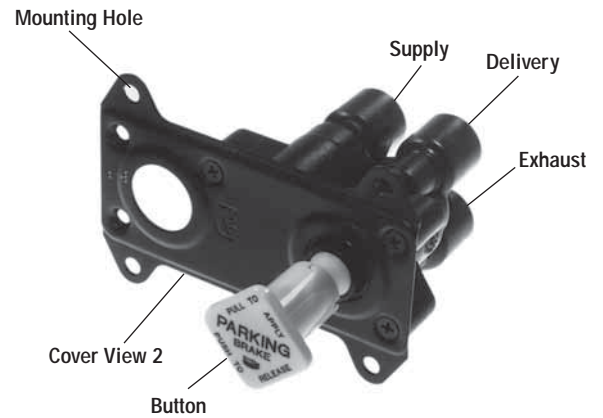
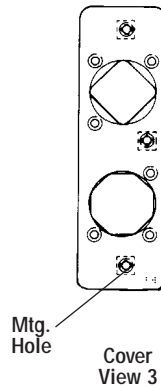
## PP-DC® Control Valve

- Maintenance Kit 5006939

V.M.R.S. 13-101-017



Service New Pc. No.	Cover View	Mounting Hole	Port Type
065643	2	.27" DIA.	Push-to-connect (3/8" O.D. Tubing)
065661	1	1/4-20 THD.	Push-to-connect (3/8" O.D. Tubing)
065690	1	.27" DIA.	Push-to-connect (3/8" O.D. Tubing)
800034	2	.27" DIA.	1/4"-18 N.P.T.
800142	1	1/4-20 THD.	1/4"-18 N.P.T.
800309	3	M6 x 1-6H	Push-to-connect (3/8" O.D. Tubing)

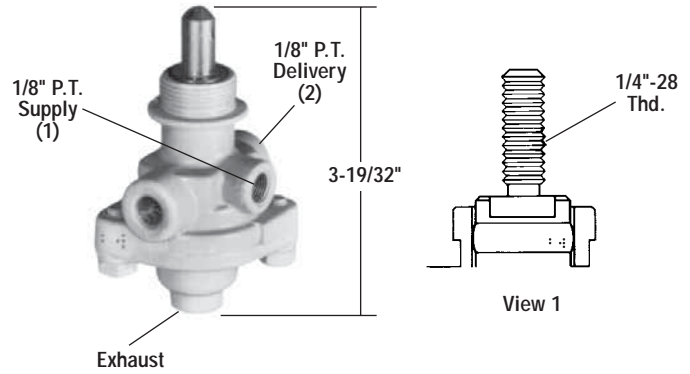


## RD-3™ Push Type Control Valve

- Available Remanufactured Exchange
- Maintenance Kit 281126N
- Button not furnished with Exchange Valve, Roll Pin Furnished
- Refer to Master Parts Catalog for Button or Dial Plate Pc. No.

V.M.R.S. 13-010-104

Service New Pc. No.	Comments
286211N	-
104644	See View 1



## MV-2™ Control Module

- Buttons are not supplied with Spool Inserts. Refer to Master Parts Catalog for Button Pc. Nos.
- Maintenance kit for dual circuit supply valve is Pc. No. 101557.

V.M.R.S. 13-010-112

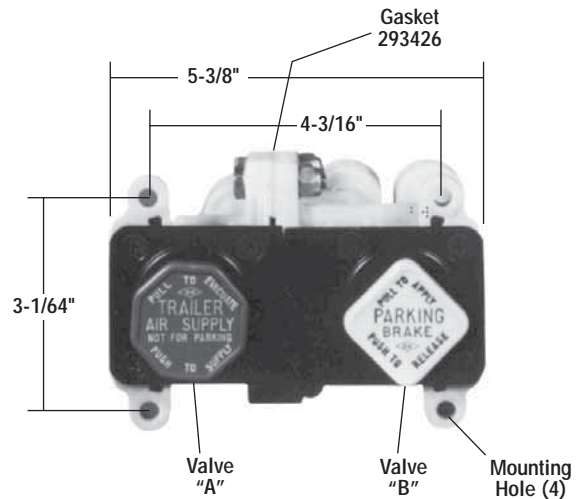
Service New Pc. No.	Mounting Hole
101437N	1/4" UNTHREADED
101890N	1/4-20 THD.
102027N	#10-24 THD.



Valve "A"  
Spool Assy.  
101569



Valve "B"  
Spool Assy.  
101570

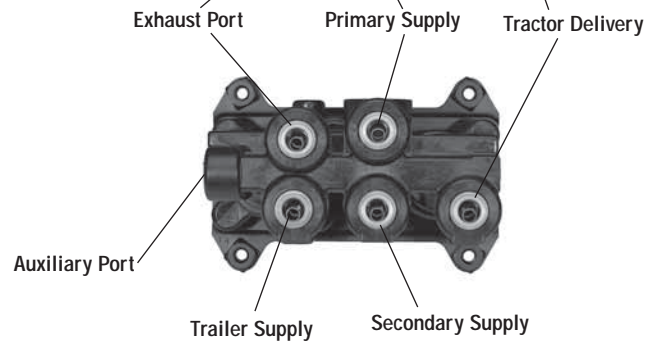
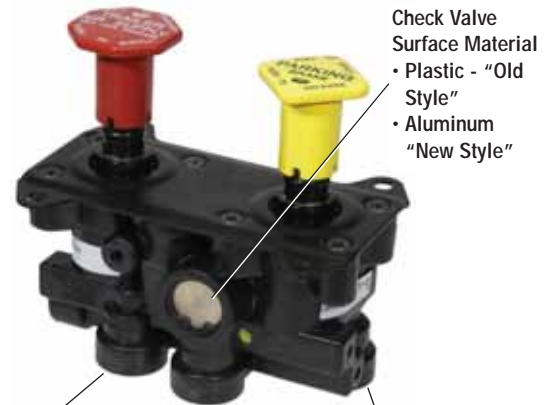
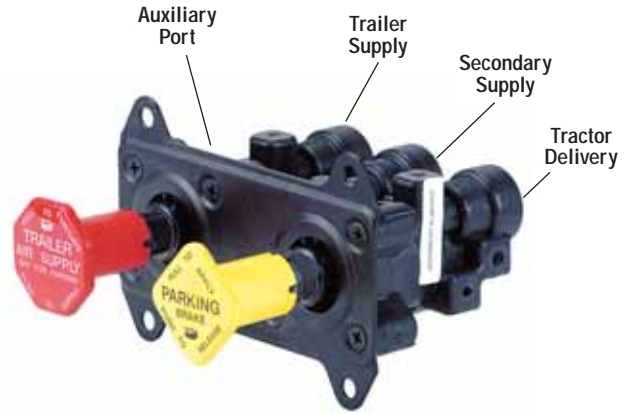
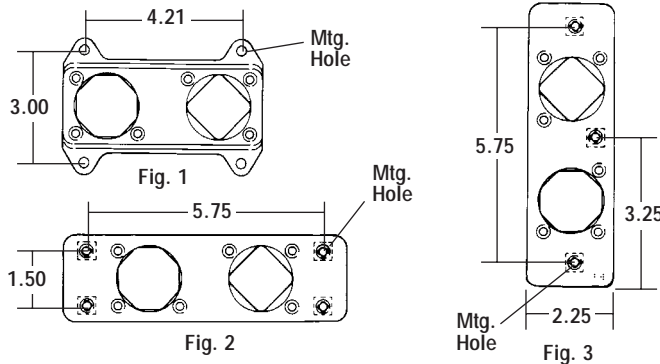


## MV-3® Control Module

- Maintenance Kit 107216 (old style) or 5002741 (new style)
- Shuttle Kit 107217 (old style) or 5002742 (new style)
- (See check valve material to determine kit piece numbers)

V.M.R.S. 13-010-112

Service New Pc. No.	Replaces	Mtg. Plate Figure	Mtg. Hole Dia./Thd.	Aux. Port Thd. (NPT)	Comments
800257	065523	1	0.27	–	Push-in Fittings - 3/8"
800259	800036	1	1/4-20	–	Push-in Fittings - 3/8"
800516	065157	1	0.27	–	
	065697				
800517	065159	2	M6 x 1-6H	–	
	065379				
800518	065160	1	0.27	1/8-27	
800519	065186	1	1/4-20	–	
800521	065192	3	1/4-20	–	
800522	065208	1	M6 x 1-6H	1/8-27	
800523	065248	1	#10-24	–	
800573	065187	1	1/4-20	–	



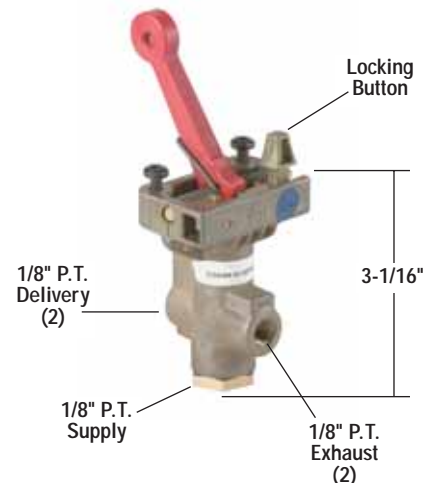
Push-in fittings shown in bottom view.

## TC-4™ Modulating Control Valve (With Lever Latch)

- Available Remanufactured Exchange
- Dial Plate not furnished with Exchange Valve
- Refer to Master Parts Catalog for Dial Plate Pc. No.

V.M.R.S. 13-010-104

Reman. Exch. Pc. No.	Service New Pc. No.	Locking Button Position	Delivery Pressure P.S.I.	Comments
282368RX	282368N	LEFT	86-100	–
–	282382N	LEFT	86-100	Includes Dial Plate

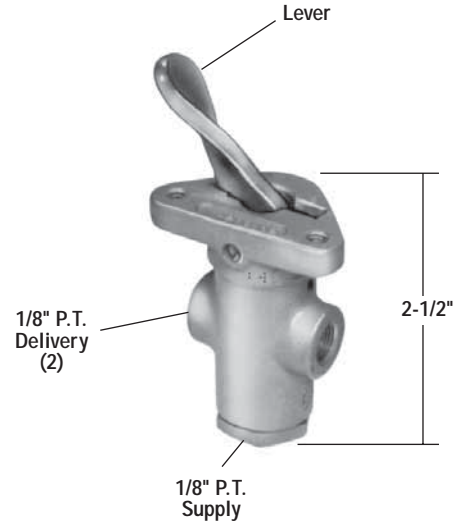


## TW-1™ Control Valve

- Available Remanufactured Exchange
- Dial Plate not furnished with Exchange Valve
- Refer to Master Parts Catalog for Dial Plate Pc. No.

V.M.R.S. 13-016-016

Reman. Exch. Pc. No.	Service New Pc. No.	Lever Mat'l and Finish
228729RX	228729N	Zinc-Chrome
229635RX	229635N	Steel-Chrome
277516RX	277516N	Nylon-Black

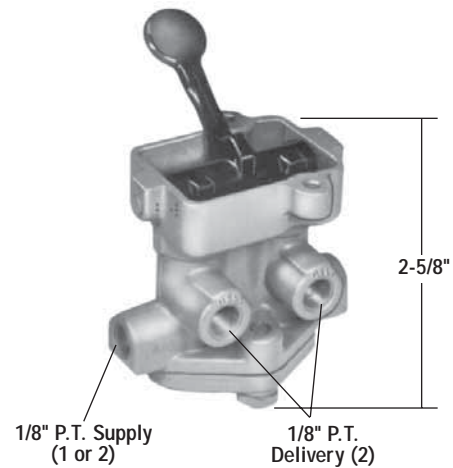


## TW-2™ & TH-3™ Control Valve

(TW-2™ Control Valve Two Lever Positions)  
 (TH-3™ Control Valve Three Lever Positions)

- Available Remanufactured Exchange
- Maintenance Kit 282391
- Dial Plate Not Furnished with Exchange Valve
- Refer to Master Parts Catalog for Dial Plate Pc. No.

Service New TW-2™ Control Valve Pc. No.	Service New TH-3™ Control Valve Pc. No.	Lever
280905N	280904N	Centering
	281560N	Positioning

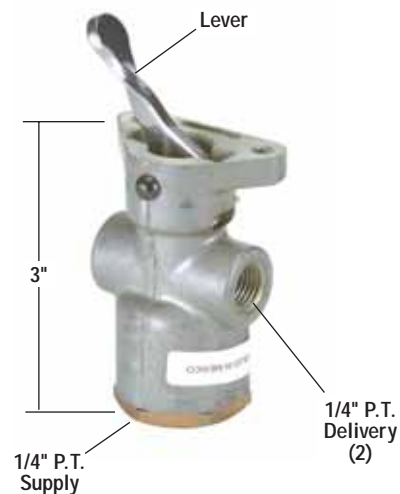


## TW-3™ Control Valve

- Available Remanufactured Exchange
- Dial Plate Not Furnished with Exchange Valve
- Refer to Master Parts Catalog for Dial Plate Pc. No.

V.M.R.S. 13-010-016

Reman. Exch. Pc. No.	Service New Pc. No.	Lever Mat'l.
225892RX	225892N	ZINC
228762RX	228762N	STEEL
283040RX	283040N	STEEL

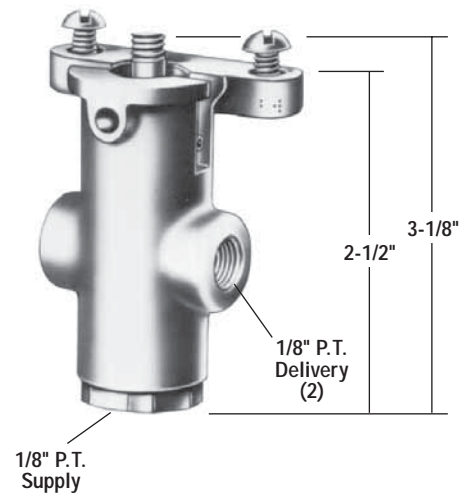


## TW-4™ Control Valve

- Available Remanufactured Exchange
- Refer to Master Parts Catalog for Button Pc. No.

V.M.R.S. 32-004-007

Service New Pc. No.
276635N

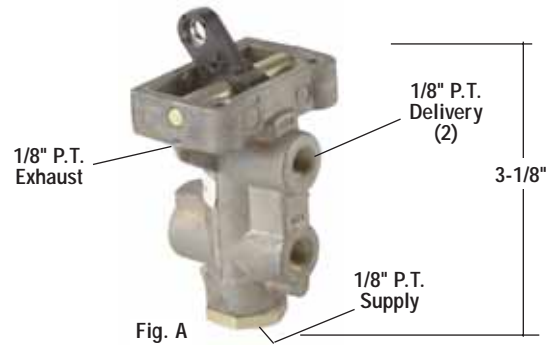
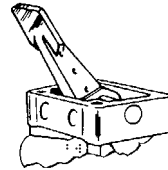


## TW-11™ Control Valve

- Used in conjunction with the HR-1™ Hydraulic Relay Valve.

Service New Pc. No.	Configuration
065356	Fig. B
065316	Fig. A

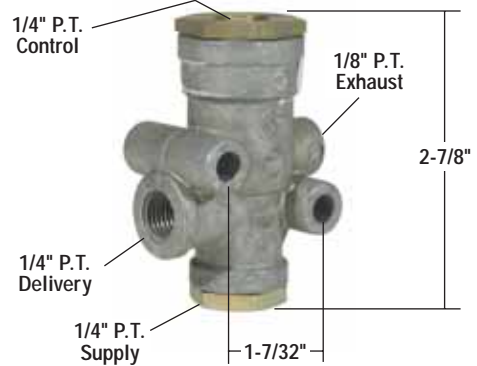
Fig. B



## SV-1™ Synchronizing Valve

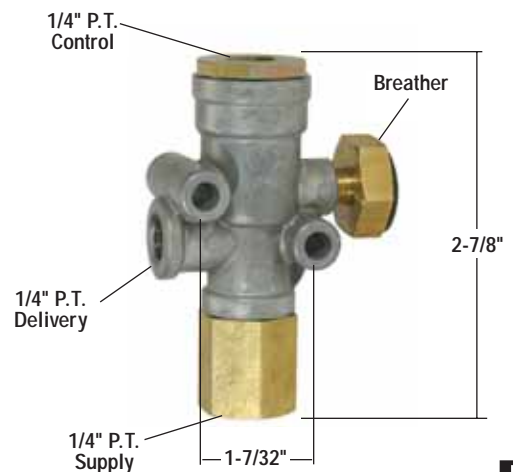
Service New Pc. No.	A PSI	B PSI
278825N	42	28
282472N	21	11
283700N	62	50

With Common Control & Supply Pressure, Inlet Opens at A and Exhaust Opens at B



## SV-4™ Trailer Release Valve

Service New Pc. No.	Breather Valve Size/Shape
108769	1" Hex
109149	9/16" 12 point



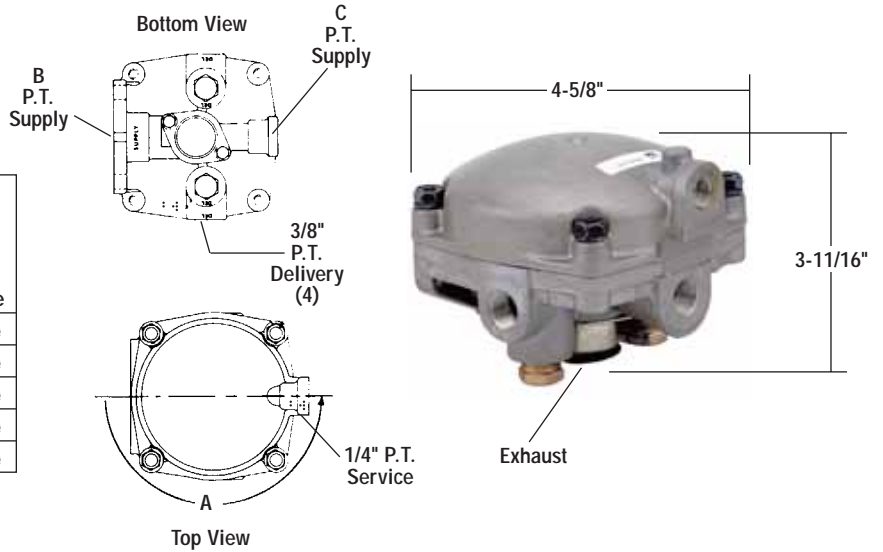
## R-6™ Relay Valve

- Available Remanufactured Exchange
- Maintenance Kit 280856N

V.M.R.S. 13-010-009

Reman. Exch. Pc. No.	Service New Relay Valve Pc. No.	A Degrees Service Port Angle	B P.T.	C P.T.	Mtg. Flange
—	279180N	180	—	3/8"	2 Hole
279952RX	279952N	180	3/4"	3/8"	2 Hole
280375RX	280375	90	—	1/2"	2 Hole
279952RX	*280651N	180	3/4"	3/8"	2 Hole
283940RX	283940N	270	3/8"	3/8"	4 Hole

\*Pipe Plugs & Gasket Attached  
Crack Pressure 2 P.S.I.



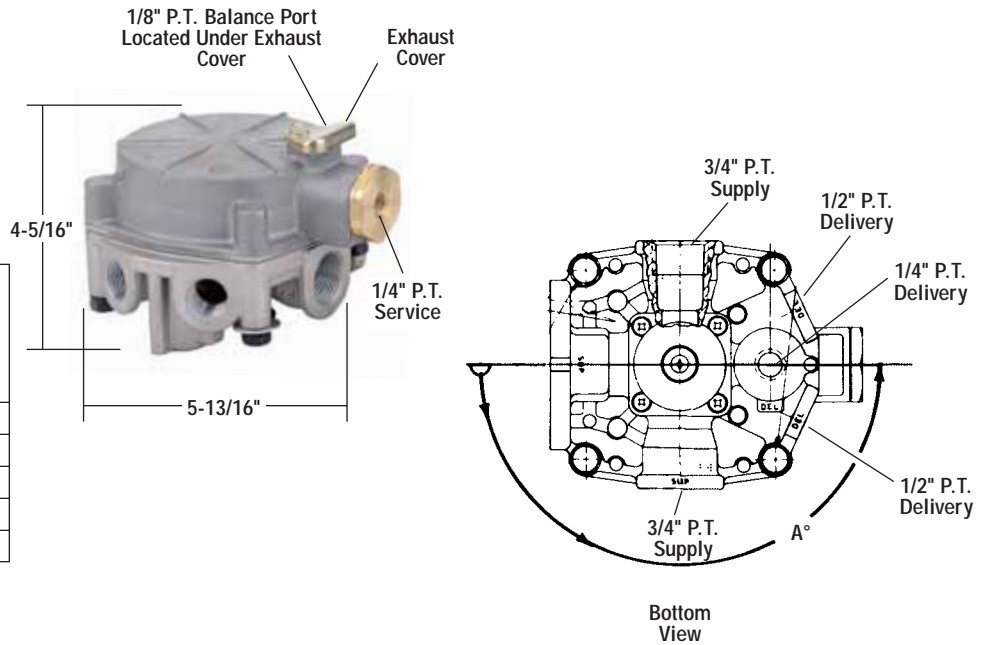
## R-8™ Relay Valve

- Available Remanufactured Exchange
- Maintenance Kit 287370N

V.M.R.S. 13-010-009

Reman. Exch. Pc. No.	Service New Pc. No.	A Service Port Location (Degree)	Comments
286370RX	286370N	90	
*286371RX	*286371N	90	
*287260RX	*287260N	180	
288369RX	288369N	180	
288781RX	288781	180	Waterproof

\*No Exhaust Cover

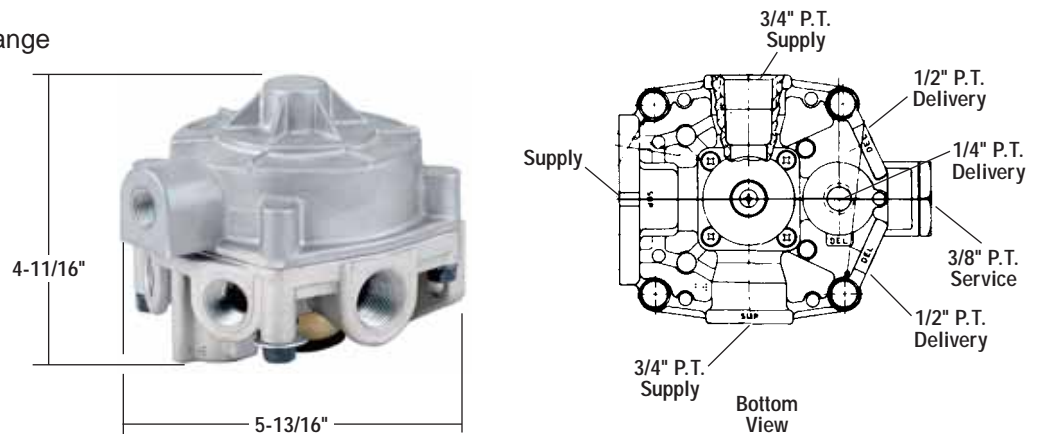


## R-8P™ Relay Valve

- Available Remanufactured Exchange
- Maintenance Kit 103799

V.M.R.S. 13-010-009

Reman. Exch. Pc. No.	Service New Pc. No.	Comments
287114RX	287114N	—



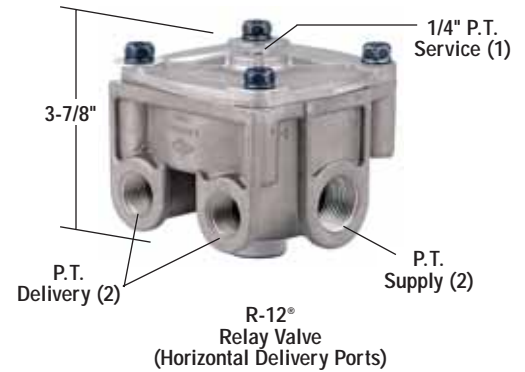
## R-12® Relay Valves

- Available Remanufactured Exchange
- All Universal R-12® and R-14® Relay Valves Include Installation Instructions and a Universal Mounting Bracket as indicated.

V.M.R.S. 13-010-009

### Vertical Delivery Ports

Reman. Exch. Pc. No.	Service New Pc. No.	Crack Pressure (P.S.I.)	Delivery Port Size (P.T.)	Maint. Kit	Mounting Bracket
5003365X	065104	4	3/8"	102802N	296010N
-	065181	5.5	1/2"	102802N	296010N
102626RX	102626N	4	1/2"	102802N	296010N
103912RX	103912	7.5	1/2"	102802N	296010N
104561RX	-	5.5	3/8"	102802N	296010N
-	*800365	4	3/8"	102802N	296010N



### Horizontal Delivery Ports

Reman. Exch. Pc. No.	Service New Pc. No.	Crack Pressure (P.S.I.)	Supply Port Size (P.T.)	Maint. Kit	Mounting Bracket	Delivery (P.T.)
-	065125	5.5	1/2"	102802N	296010N	1/2"
-	065309	4	1/2"	102802N	296010N	1/2"
-	065546	4	1/2"	109523	296010N	1/2"
103009RX	103009N	4	3/4"	102802N	296010N	1/2"
104165RX	-	7.5	3/4"	102802N	296010N	1/2"
-	800238	4	3/4"	102802N	N/A	1/2"
-	800305	4	1/2"	5002831	296010N	1/2"
-	*800366	5.5	1/2"	5004029	296010N	3/8"
-	*800365	4	1/2"	5004029	296010N	1/2"

\*Self draining piston

### R-12° Relay Valve Vert. (2) & Horizontal Delivery Ports

Service New Pc. No.	Crack Pressure (P.S.I.)	Delivery Port Size (P.T.)	Maint. Kit	Mounting Bracket
065206	5.5	3/8"	102802N	296010N
065303	4	3/8"	102802N	296010N
800095	4	3/8"	102802N	102846N**
800441	5.5	3/8"	102802N	102846N**
800483	5.5	1/2"	102802N	N/A
800484	5.5	1/2"	102802N	296010N
800485	4	1/2"	102802N	N/A
800486	4	1/2"	102802N	296010N
800508	5.5	1/2"	102802N	N/A

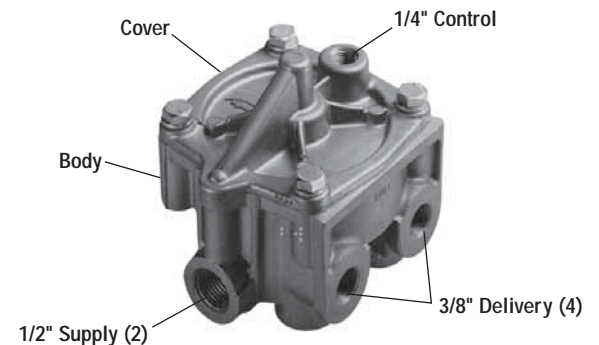
\*\*Mounting bracket 102846N includes two 5/16" mounting studs.

## R-12P™ Pilot Relay Valve

- Available Remanufactured Exchange
- Universal Mounting Bracket 296010 included
- Field Maintenance Kit 109265

V.M.R.S. 13-010-009

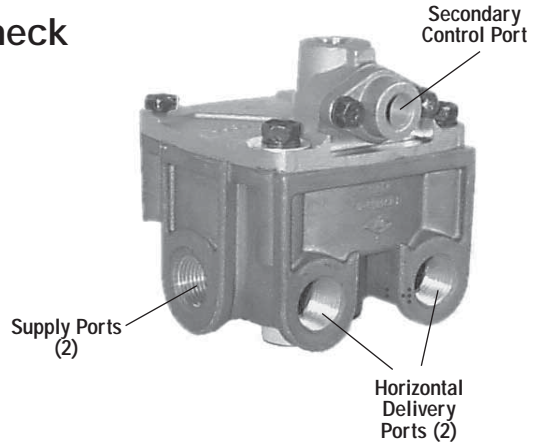
Service New Pc. No.	Reman. Exch. Pc. No.
065476	109264X



## R-12DC® Relay Valve with Biased Double Check

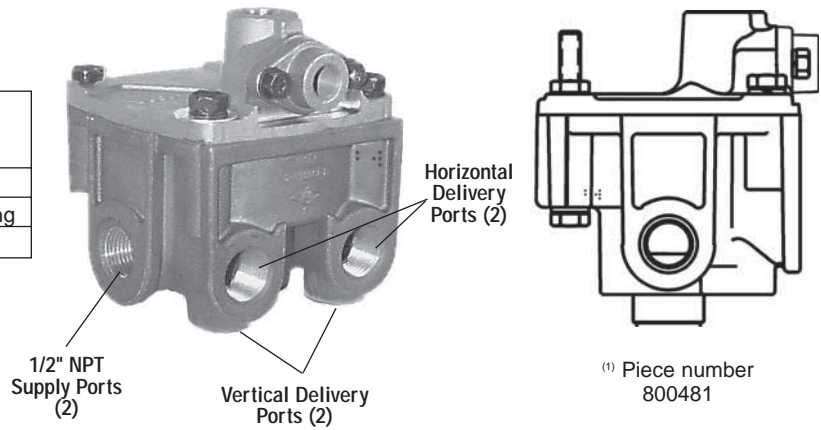
### R-12DC® Relay Valve with 2 Horizontal Delivery Ports

Service New Pc. No.	Crack Pressure PSI	Supply Ports NPT	Delivery Ports NPT	Bracket Pc. No. (Included)
800470	4	1/2"	1/2"	296010N
800471	5.5	1/2"	1/2"	294649N
800627	4	1/2"	1/2"	294649N



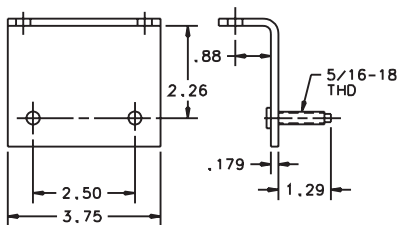
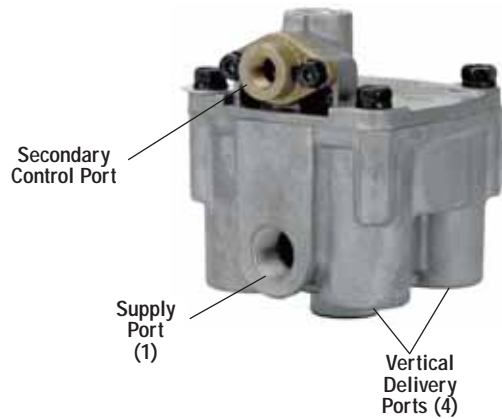
### R-12DC® Relay Valve with 2 Horizontal and 2 Vertical Delivery Ports

Service New Pc. No.	Crack Pressure PSI	Horizontal Delivery Ports NPT	Vertical Delivery Ports NPT	Bracket Pc. No. (Included)
800481	4	1/2"	3/8"	None <sup>(1)</sup>
801305	4	1/2"	3/8"	3/8" Tube Fitting
801381	5.5	1/2"	3/8"	102846N

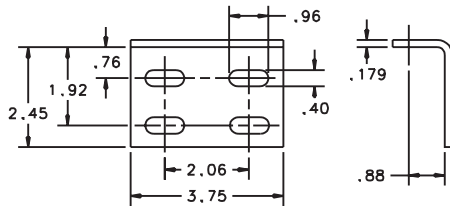


### R-12DC® Relay Valve with 4 Vertical Delivery Ports

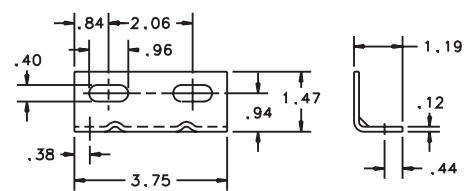
Service New Pc. No.	Crack Pressure PSI	Vertical Delivery Ports (NPT)	Bracket Pc. No. (Included)
800477	4	1/2"	102846N
800479	4	1/2"	294649N



Mounting Bracket  
Pc. No. 102846N



Mounting Bracket  
Pc. No. 296010N



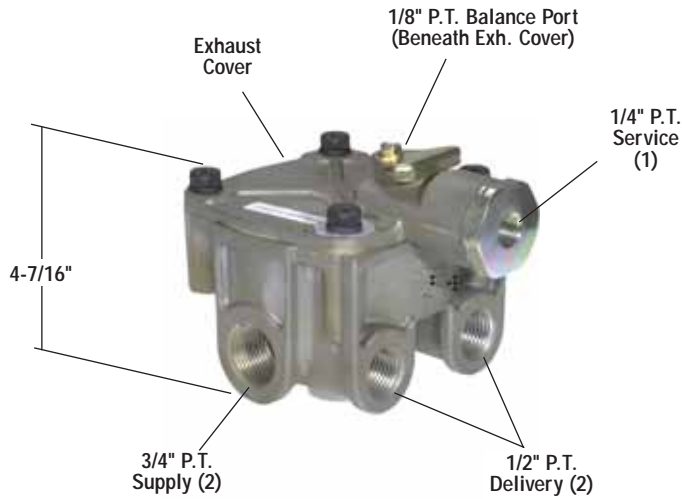
Mounting Bracket  
Pc. No. 294649N



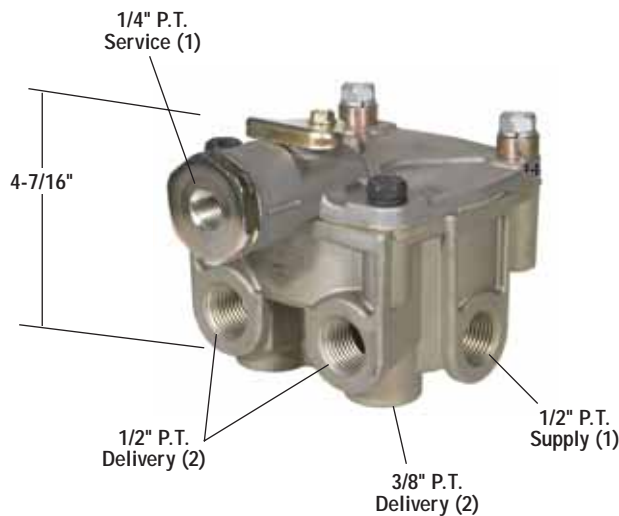
## R-14® Relay Valve

- Available Remanufactured Exchange
- Field Maintenance Kit for R-12® & R-14® Relay Valves is Pc. No. 102802N
- All Universal R-12® and R-14® Relay Valves Include Installation Instructions and a Universal Mounting Bracket Pc. No. 296010N.

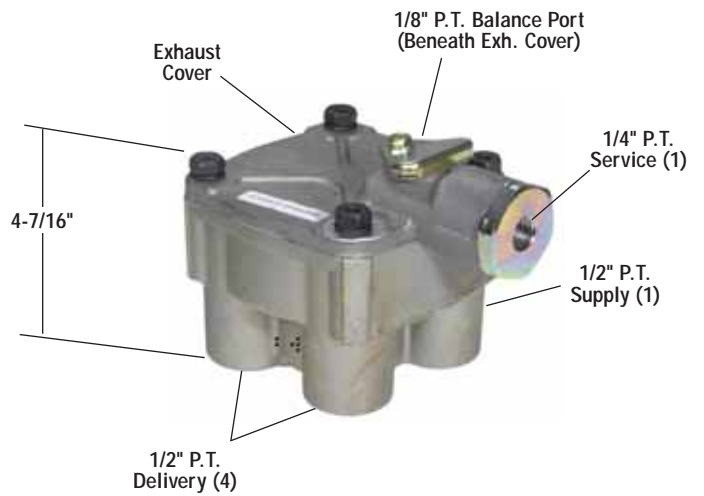
V.M.R.S. 13-010-009



R-14® Relay Valve  
(Horizontal Delivery Ports)



R-14® Relay Valve  
(Horizontal & Vertical  
Delivery Ports)



R-14® Relay Valve  
(Vertical Delivery Ports)

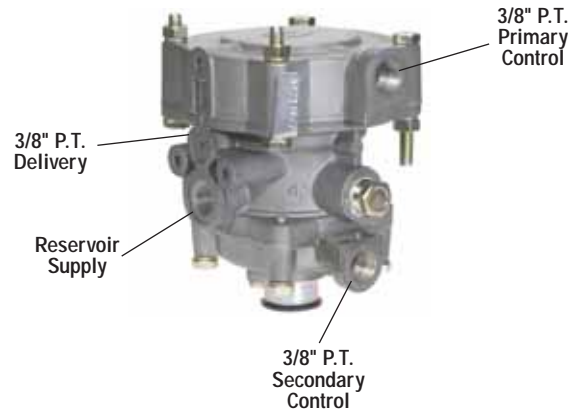
Reman. Exch. Pc. No	Service New Pc. No.	Crack Press. PSI	Supply
<b>Horizontal Delivery Ports</b>			
103010RX	103010N	4	3/4"
103294RX	103294N	5.5	3/4"
103835X	103835	7.5	3/4"
-	104345	5	3/4"
104574RX	104574	4	1/2"
<b>Vertical Delivery Ports</b>			
103028RX	103028N	4	1/2"
-	103833	7.5	1/2"
-	106313	5.5	1/2"
<b>Vertical &amp; Horizontal Delivery Ports*</b>			
-	065430	4	1/2"

\*Delivery ports (2) 3/8" & (2) 1/2"

## Dual Relay Valves

- Available Remanufactured Exchange

V.M.R.S. 13-010-009

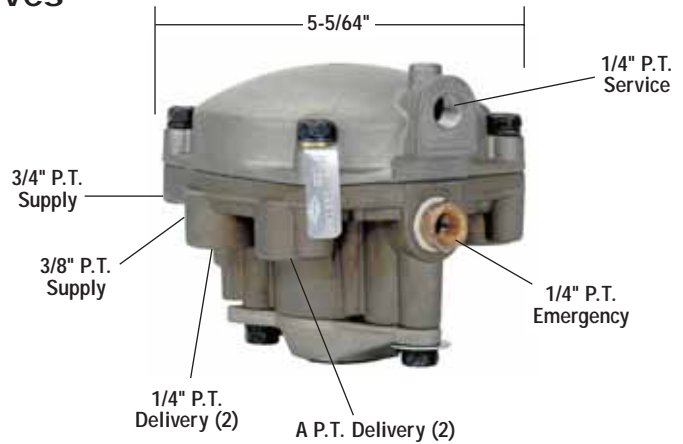


Service New Pc. No.
KY1122/7

## RE-6® & RE-6NC™ Relay Emergency Valves

- Available Remanufactured Exchange
- Maintenance Kits:  
282812 Complete Valve  
282813 Insert Only

V.M.R.S. 13-010-037



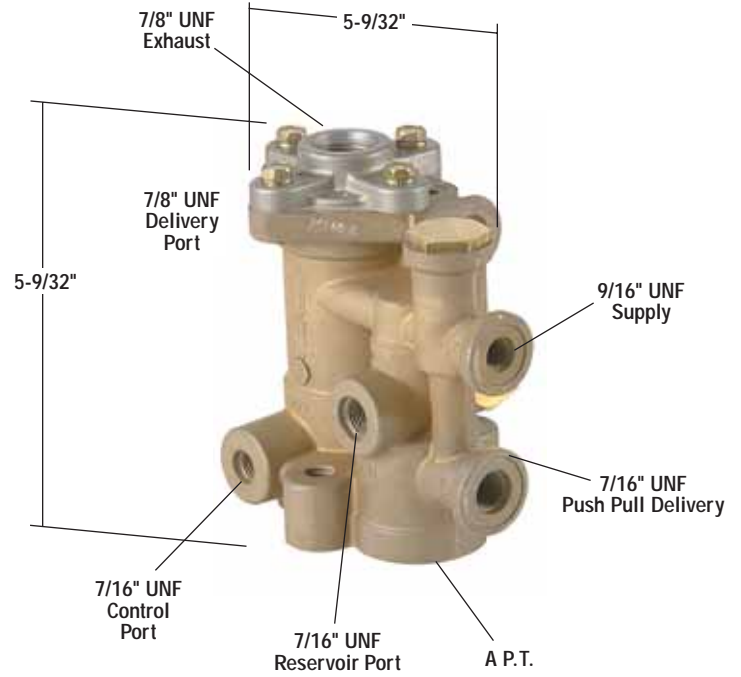
Reman. Exch. Pc. No.	Service Pc. No.	Valve	A P.T. Delivery
281865X	281865	RE-6® Relay Emergency Valve	3/8"
281860X	281860	RE-6® Relay Emergency Valve	1/4"
–	065451	RE-6NC™ Relay Emergency Valve	1/4"

The RE-6NC™ relay emergency valve must be used in conjunction with a PR-3™ reservoir control valve.

## HR-1™ Hydraulic Relay Valve

V.M.R.S. 13-010-015

Service Pc. No.	Vehicles
065147	Ford, Navistar



## ST-3™ Safety Valves

V.M.R.S.  
13-010-073

See the compressor section (01) of this catalog for ST-4™ safety valves.



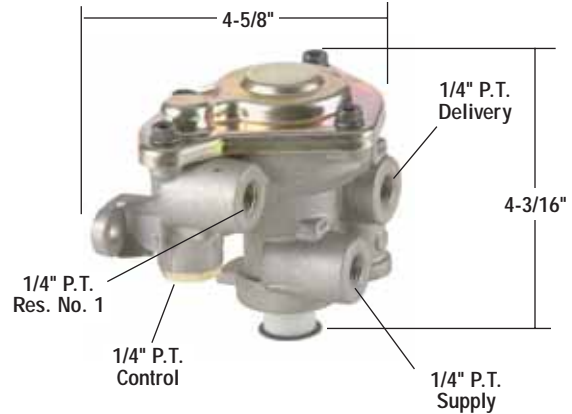
ST-3™ Safety Valve Pc. No.	P.T.	Pressure Setting
284142	1/4"	150 P.S.I.
284143	3/8"	150 P.S.I.
285849	1/4"	175 P.S.I.
285850	1/4"	75 P.S.I.

## SR-1™ Spring Brake Valve

- Available Remanufactured Exchange
- Maintenance Kit 108123

V.M.R.S. 13-010-048

Reman. Exch. Pc. No.	Service New Pc. No.	Cust. Ident.	Reservoir Trip Press.
286364RX	286364N	NONE	55 PSI
288063RX	288063N	IHC-459271-C92	30 PSI



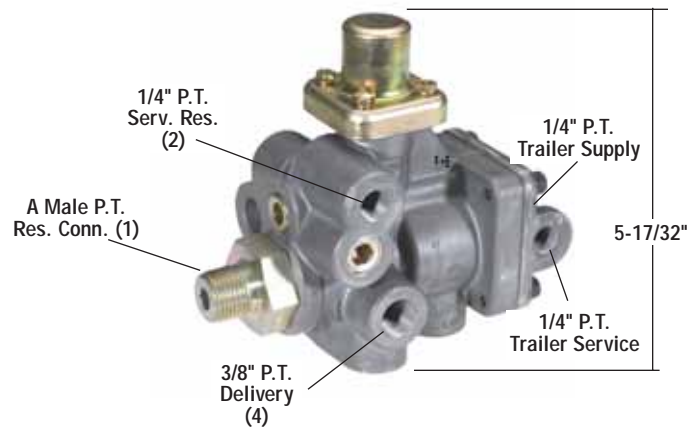
## SR-2™ Trailer Spring Brake Valve

- Available Remanufactured Exchange
- Maintenance Kit 287691

V.M.R.S. 13-010-048

Reman. Exch. Pc. No.	Service New Pc. No.	A P.T.
*287376RX	*287376N	3/4"
102761RX	102761N	3/4"
103061RX	103061N	1/2"

\*Does not have trailer service port for anti-compound

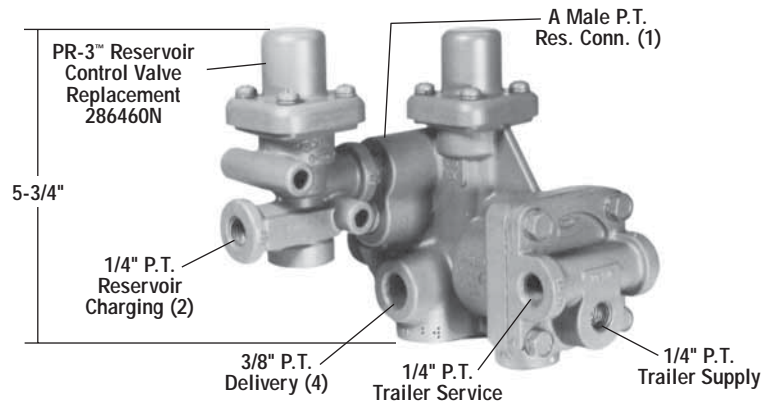


## SR-4™ Trailer Spring Brake Valve

- Available Remanufactured Exchange
- Maintenance Kit 102048

V.M.R.S. 13-010-048

Reman. Exch. Pc. No.	Service New Pc. No.	A P.T.
101112RX	107539N	3/4"
101622X	108076	1/2"

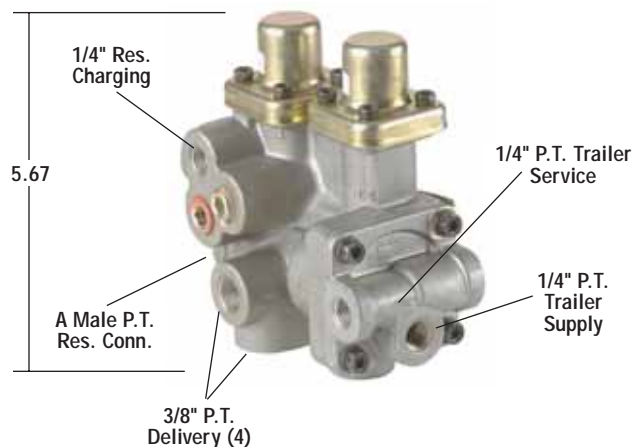


## SR-4™ New Configuration Trailer Spring Brake Valve

- Maintenance Kit 108259

V.M.R.S. 13-010-111

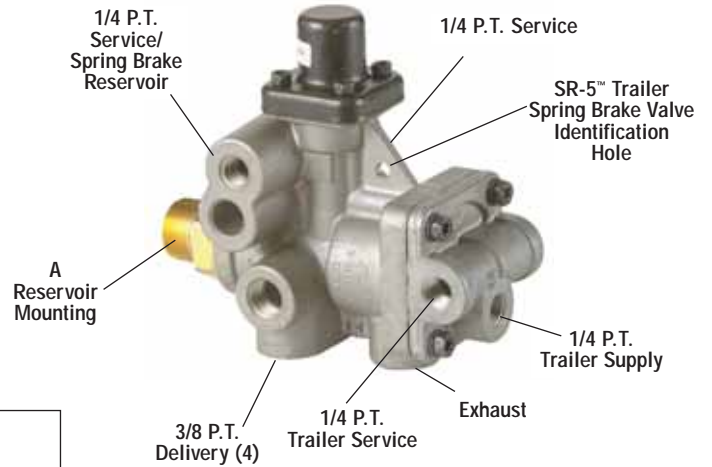
SR-4™ Trailer Spring Brake Valve Svc. New Pc. No.	SR-5™ Trailer Spring Brake Valve Svc. New Pc. No.	A	Comments
107539N	065437	3/4" NPT	with anticomponding
-	065439	1/2" NPT	with anticomponding



## SR-5™ Trailer Spring Brake Valve

• Maintenance Kit 109015

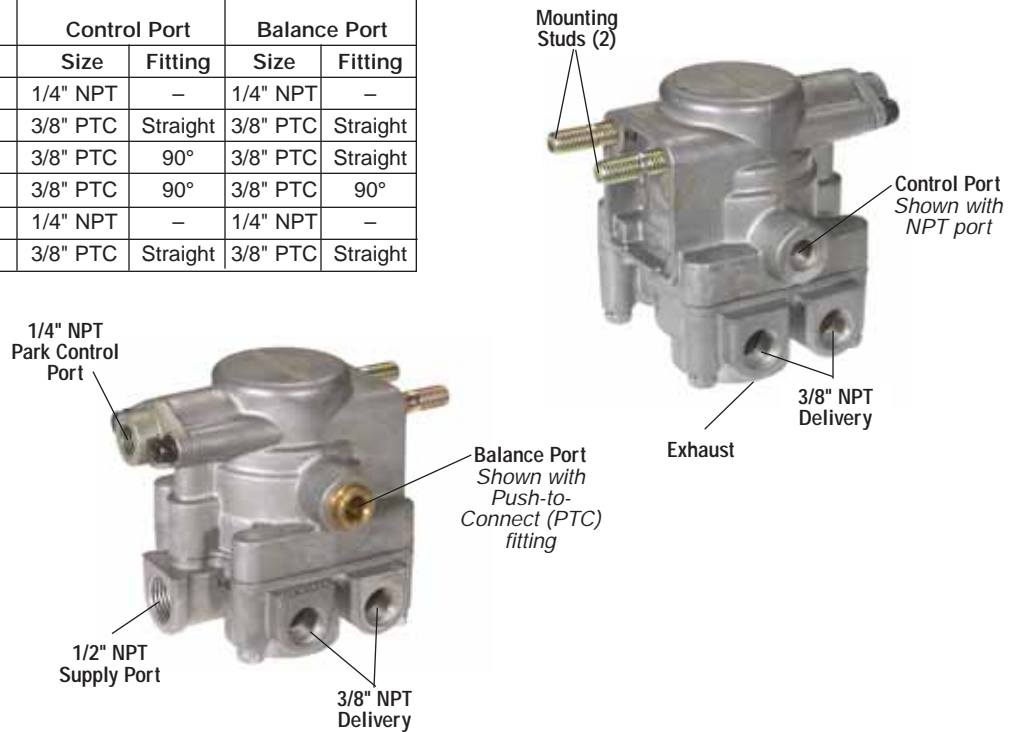
V.M.R.S. 13-010-048



Reman. Exch. Pc. No.	Service New Pc. No.	A Male P.T.	Comments
109615X	065437	3/4"	With Anti-Compounding
109616X	065438	3/4"	–
109617X	065439	1/2"	With Anti-Compounding
109618X	065440	1/2"	–

## SR-7® Trailer Spring Brake Valve

Service New Pc. No.	Mounting Stud		Control Port		Balance Port	
	Thd.	Length	Size	Fitting	Size	Fitting
K021557	3/8"-16	.94"	1/4" NPT	–	1/4" NPT	–
K021558	3/8"-16	.94"	3/8" PTC	Straight	3/8" PTC	Straight
K021559	3/8"-16	.94"	3/8" PTC	90°	3/8" PTC	Straight
K021560	M10	1.38"	3/8" PTC	90°	3/8" PTC	90°
K021562	–	–	1/4" NPT	–	1/4" NPT	–
K021563	–	–	3/8" PTC	Straight	3/8" PTC	Straight

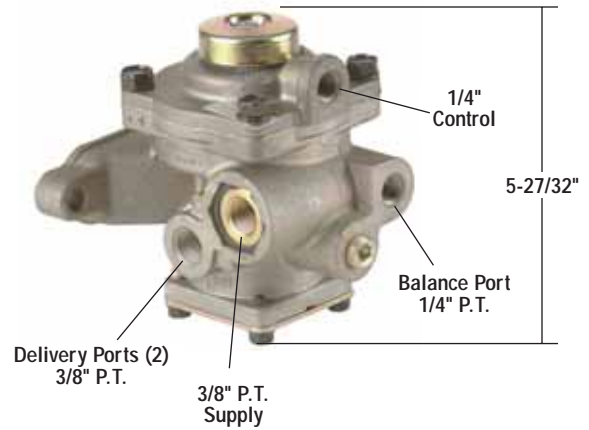


## R-7™ Modulating Valve

- Available Remanufactured Exchange
- Maintenance Kit 283861

V.M.R.S. 13-010-009

Reman. Exch. Pc. No.	Service New Pc. No.	Spring Brake Release Pressure P.S.I.
103081RX	103081N	95

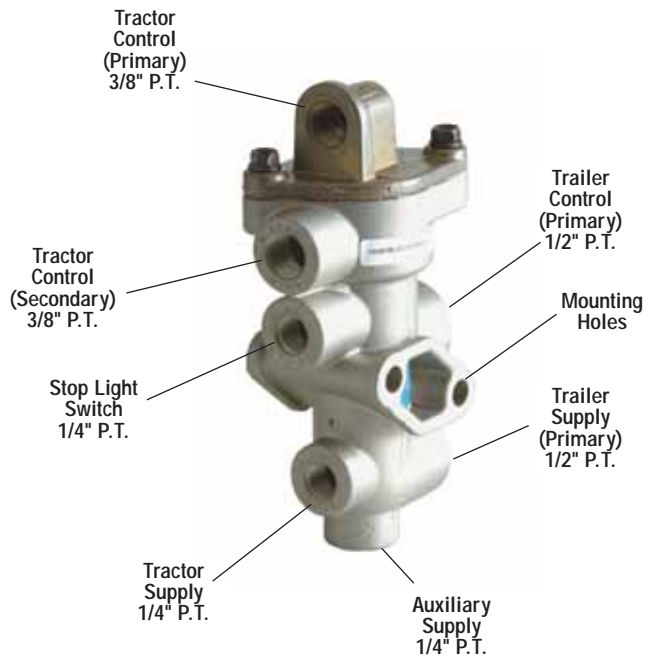


## TP-3DC™ Tractor Protection Valve

- Maintenance Kit 5000073

V.M.R.S. 13-010-016

Service New Pc. No.
065706



## TP-3® Tractor Protection Valve

- Available Remanufactured Exchange
- Maintenance Kit 280858N

V.M.R.S. 13-010-016

Reman. Exch. Pc. No.	Service New Pc. No.	A P.T.	B P.T.
279000RX	279000N	1/2"	1/2"
279692X	-	3/8"	3/8"
-	280830N	1/2"	1/2"



TP-3® Tractor Protection Valve is used with PP-3™ Control Valve or PP-7™ Trailer Supply Valve

## TP-4™ Tractor Protection Valve

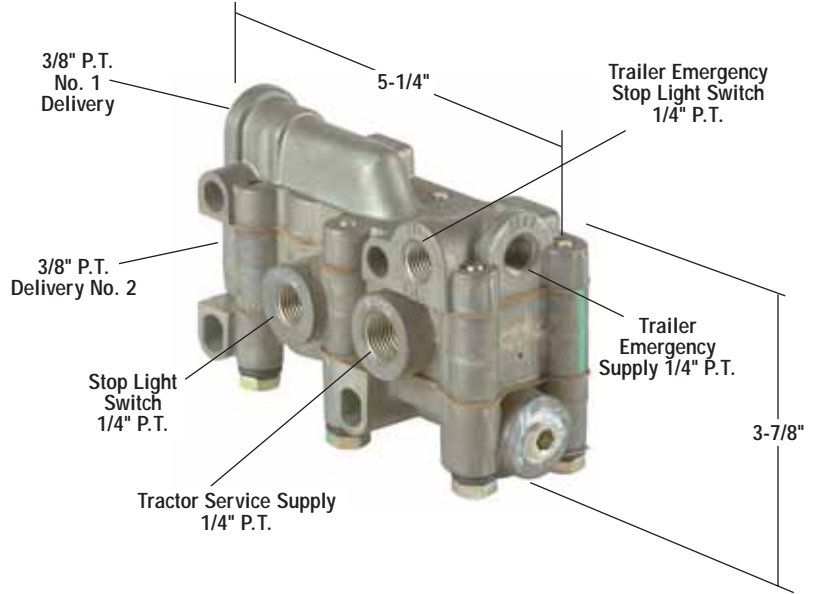
Formerly VM-1™ Control Valve Manifold

- Available Remanufactured Exchange
- Maintenance Kit 283863

V.M.R.S. 13-010-114

Reman. Exch. Pc. No.	Service New Pc. No.
288301RX	288301N

3 Sealing O-Rings Pc. No. 212268 Included with Valve

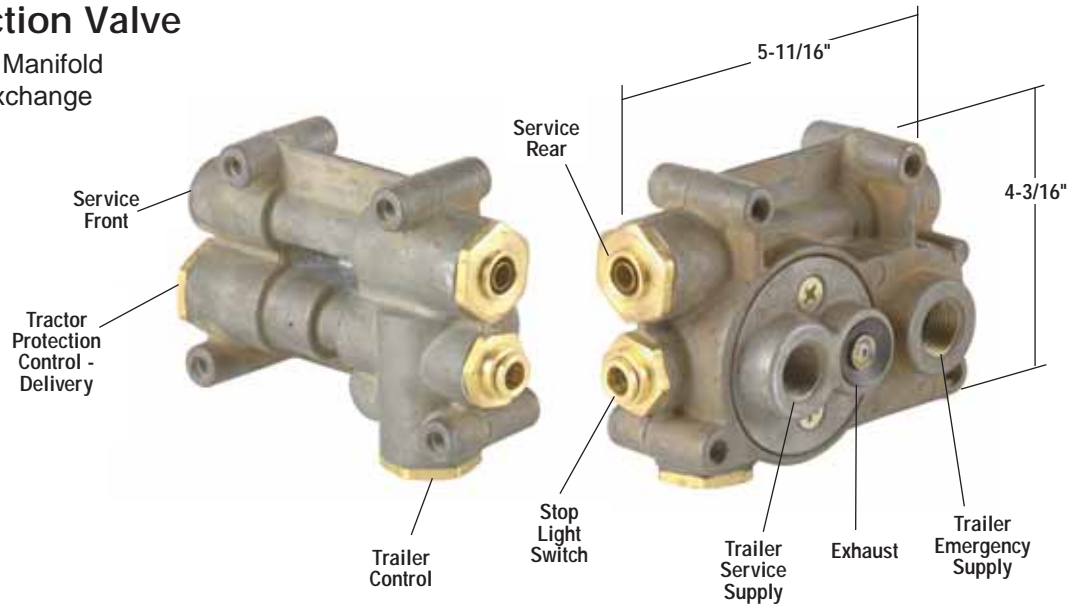


## TP-5™ Tractor Protection Valve

Formerly VM-2™ Control Valve Manifold

- Available Remanufactured Exchange
- Maintenance Kit 289061

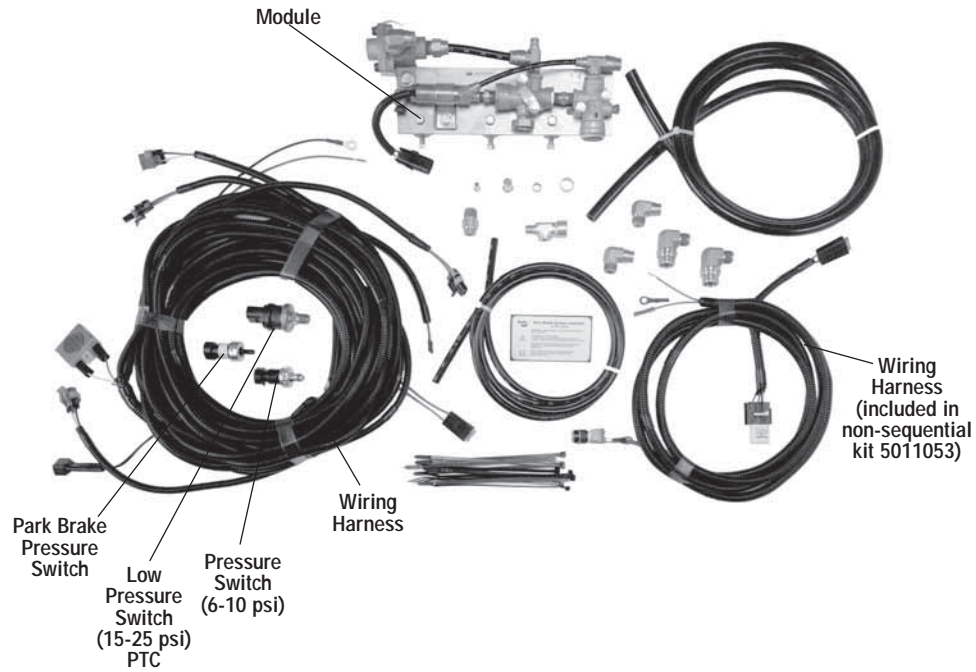
V.M.R.S. 13-010-114



Reman. Exch. Pc. No.	Service New Pc. No.	Service Rear	Stop Light Switch	Service Front	Trailer Control	Trailer Service Supply	Trailer Emergency Supply	Tractor Protection Control Delivery
—	065702	1/2" PTC	3/8" PTC	1/2" PTC	3/8" PTC	1/2" NPT	1/2" NPT	3/8" PTC
—	107430	3/8" NPT	1/8" NPT	3/8" NPT	1/4" NPT	1/2" NPT	1/2" NPT	1/4" NPT
288605RX	288605N	3/8" NPT	1/4" NPT	3/8" NPT	3/8" NPT	1/2" NPT	1/2" NPT	3/8" NPT
—	800396	1/2" PTC	1/4" PTC	1/2" PTC	3/8" PTC	1/2" NPT	1/2" NPT	3/8" PTC

## SBI-1™ AutoBrake™ Retrofit Kits

Pc. No.	Comments
5011053	For Buses w/non-sequential lighting
5008285	For Buses w/sequential lighting







BP-1™ Valve Maintenance Kit Pc. No. 104710



BP-1™ Valve Maintenance Kit Pc. No. 104711



E-2™ & E-3™ Valve Maintenance Kit Pc. No. 276119



E-3™ Valve Maintenance Kit Pc. No. 289329



E-5™ Valve Maintenance Kit Pc. No. 281084



E-5™ Valve Maintenance Kit Pc. No. 289334



E-6® Valve Maintenance Kit Pc. No. 287368



E-6® Valve Maintenance Kit Pc. No. 289335



E-7™ Valve Maintenance Kit Pc. No. 289352



E-7™ Valve Maintenance Kit Pc. No. 289353



E-10™ Valve Maintenance Kit Pc. No. 102100



E-12™ Valve Maintenance Kit Pc. No. 108367



LQ-2™ Valve Maintenance Kit Pc. No. 282098



LQ-4™ Valve Maintenance Kit Pc. No. 289500



LQ-5™ Valve Maintenance Kit Pc. No. 107195



MV-2™ Valve Maintenance Kit Pc. No. 101557



MV-3® Valve Maintenance Kit Pc. No. 107216



MV-3® Valve Maintenance Kit Pc. No. 107217



MV-3® Valve Maintenance Kit Pc. No. 5002741



MV-3® Valve Maintenance Kit Pc. No. 5002742



PP-DC® Valve Maintenance Kit Pc. No. 5006939



PP-1® Valve Maintenance Kit Pc. No. 281126



PP-2™ Valve Maintenance Kit Pc. No. 281127



PP-3™ Valve Maintenance Kit Pc. No. 280857



PP-7™ Valve Maintenance Kit Pc. No. 287367



PR-3™ & PR-4™ Valve Maintenance Kit Pc. No. 287366



QR-N™ Valve Maintenance Kit Pc. No. 104463



R-6™ Valve Maintenance Kit Pc. No. 280856



R-7™ Valve Maintenance Kit Pc. No. 283861



R-8™ Valve Maintenance Kit Pc. No. 287370



R-12® Valve Maintenance Kit Pc. No. 109265



R-12® Valve Maintenance Kit Pc. No. 5004029



R-12® Valve Maintenance Kit Pc. No. 5002831



R-14® Valve Maintenance Kit Pc. No. 102802



R-8P™ Valve Maintenance Kit Pc. No. 103799



RE-6® Valve Maintenance Kit Pc. No. 282812



RE-6® Valve Maintenance Kit Pc. No. 282813



SR-1™ Valve Maintenance Kit Pc. No. 108123



SR-2™ Valve Maintenance Kit Pc. No. 287691



SR-4™ Valve Maintenance Kit Pc. No. 108259



SR-4™ Valve Maintenance Kit Pc. No. 102048



SR-5™ Valve Maintenance Kit Pc. No. 109015



TC-2™ Valve Maintenance Kit Pc. No. 276122



TC-6™ Valve Maintenance Kit Pc. No. 289890





TC-7™ Valve Maintenance Kit Pc. No. 102145



TP-3® Valve Maintenance Kit Pc. No. 280858



TP-4™ Valve Maintenance Kit Pc. No. 283863



TP-5™ Valve Maintenance Kit Pc. No. 289061

## Valve Changeover

Type/Pc. No.	Bendix Reman.	Type/Pc. No.	Bendix Reman.	Type/Pc. No.	Bendix Reman.
Bendix	Exch. Replacement	Berg	Exch. Replacement	Midland	Exch. Replacement
R-1™ Valve	103009RX	12340	103009RX	A104001	101112RX, 101622X
R-1C™ Valve	103009RX	12341	103009RX	A104002	101112RX, 101622X
R-5™ Valve	102626RX, 103009RX	12342	102626RX, 103009RX	A104003	101112RX, 101622X
R-6™ Valve	102626RX, 103009RX	12343	102626RX, 103009RX	A104010	101112RX, 101622X
R-8™ Valve	103010RX	12344	102626RX, 103009RX	KN20541	101112RX, 101622X
R-12® Valve	102626RX	12345	102626RX, 103009RX	KN28060	103009RX
R-12® Valve (H)	103009RX	12346	103009RX	KN28061	103009RX
R-14® Valve	103028RX	12352	101112RX & 102626RX	KN28071	103010RX
R-14® Valve (H)	103010RX	12360	101112RX, 101622X	KN28132	103009RX
RE-6® Valve	281865RX	A86473	102626RX	KN28140	103010RX
SR-1™ Valve	286364RX	A86477	102626RX		
SR-2™ Valve	287376RX			<b>Sealco</b>	
SR-4™ Valve	101112RX	<b>Kelsey Hayes</b>		9125	102626RX, 103009RX
		5468	103009RX	A1100	102626RX
		5470	102626RX	<b>Wagner</b>	
				A78882	102626RX, 103009RX
				A78887	102626RX, 103009RX
				A88802	101112RX, 101622X
				A88812	101112RX, 101622X
				A98730	101112RX, 101622X
				A98731	101112RX, 101622X
				A98732	101112RX, 101622X

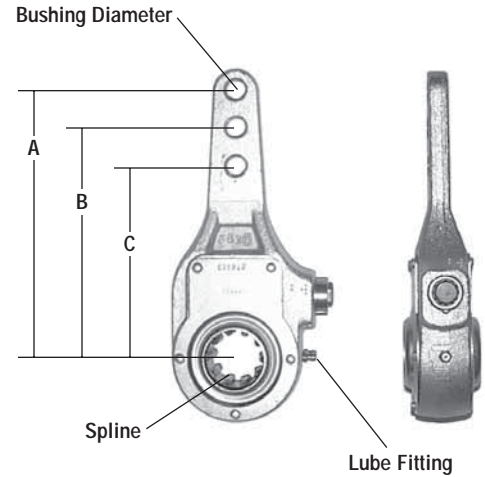
## Straight Arm

V.M.R.S. 13-001-030 (FRONT)  
13-002-028 (REAR)

### Selecting A Slack Adjuster

1. Determine if straight or offset arm. If offset determine if RH or LH is needed.
2. Identify spline size (diameter and number of teeth).
3. Select model needed.
4. Determine the arm hole used (if slack contains more than one).
5. Identify bushing diameter.

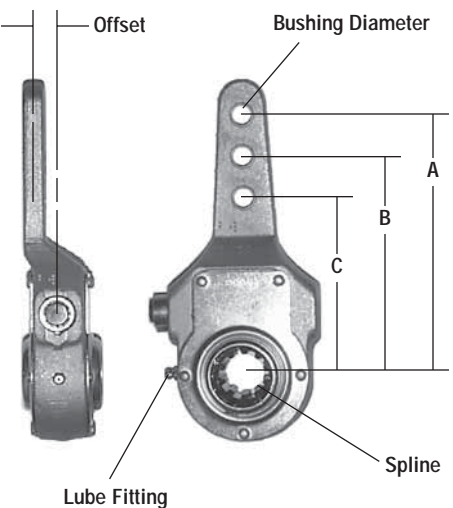
Service New Pc. No.	SAE Torque Rating-lbs	Spline	Teeth	Arm Length (In.)			Bushings Dia.	Lube Fitting	Fitting Direction
				A	B	C			
278302 278305	26,000 26,000	1-1/4"	10	5.5 7.0	4.5 6.0	— 5.0	0.5	Straight	Straight
278323N 278326N 278008 278010N 278045N 279634N	26,000 26,000 30,000 30,000 30,000 30,000	1-1/2"	10	7.0 6.5 6.5 6.0 7.0 7.75	6.0 5.5 5.5 5.0 6.0 6.75	5.0 4.5 — — 5.0 —	0.5	Straight	Straight
101827N 277959N 102110N 278016N 278017N 278035N	26,000 26,000 30,000 30,000 30,000 30,000	1-1/2"	10	6.0 6.5 6.5 6.5 6.0 7.5	— 5.5 5.5 5.5 5.0 5.5	— — — — — —	0.625	90 Deg. Straight 90 Deg. Straight Straight Straight Straight	Left Straight Down Straight Straight Straight
288282 286965N 288753N 287899N	26,000 26,000 26,000 30,000	1-1/2"	28	7.0 6.0 6.5 6.5	6.0 5.0 5.5 5.5	5.0 — — —	0.5	Straight Straight Straight Straight	Straight Straight Straight Straight
101133N 101134 101289N 101290N 101214N 101215N 101216N	26,000 26,000 26,000 26,000 30,000 30,000 30,000	1-1/2"	28	6.0 6.5 6.5 6.0 6.5 6.0 7.0	5.0 5.5 5.5 5.0 5.5 5.0 —	— — — — — — —	0.625	Straight Straight 90 Deg. 90 Deg. Straight Straight Straight	Straight Straight Right Right Straight Straight Straight
283411	26,000	1-5/8"	37	6.0	—	—	0.5	Straight	Straight



## Offset Arm

Left Hand (LH) Shown –  
Right Hand (RH) Opposite

Service New Pc. No.	SAE Torque Rating-lbs	Spline	Teeth	Arm Length (In.)			Bushings Dia.	Lube Fitting	Offset	Handed
				A	B	C				
278288 278289 278294N 278295	26,000	1-1/4"	10	6.0 6.0 5.5 5.5	5.0 5.0 4.5 4.5	4.0 4.0 — —	0.5	Straight	0.625	RH LH RH LH
278252 278253 279300N 279301N 279946N 279947N 280424 280425 282560 282561	26,000	1-1/2"	10	5.5 5.5 5.25 5.25 7.0 7.0 6.0 6.0 6.5 6.5	4.5 4.5 — — 6.0 6.0 5.0 5.0 5.5 5.5	— — — — 4.0 4.0 4.0 4.0 — —	0.5	Straight	0.625	RH LH RH LH RH LH RH LH RH LH
279309 279350 279351N 288539N 288540N 288541N 288542N	20,000	1-1/2"	10	5.75 7.0 7.0 6.5 6.5 6.0 6.0	— — — 5.5 5.5 5.0 5.0	— — — — — — —	0.5	Straight	1.5	LH RH LH RH LH RH LH
101413N 101414N 287896 287897	20,000	1-1/2"	28	5.5 5.5 6.5 6.5	— — 5.5 5.5	— — — —	0.5	Straight	1.5	LH RH RH LH



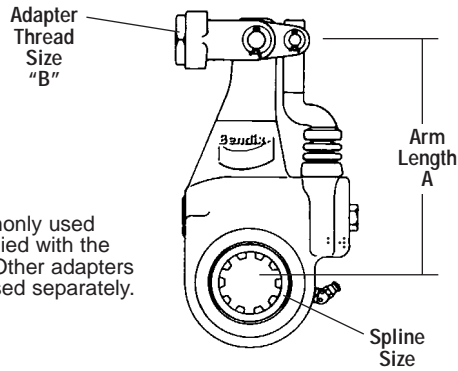
## ASA-5® Automatic Slack Adjuster

V.M.R.S. 013-001-030 (FRONT)  
013-002-028 (REAR)

### ASA-5® Automatic Slack Adjuster Maintenance Kits

Kit Pc. No.	Description
107162	1/2" Adapter Kit - Quick Connect
107161N	5/8" Adapter Kit - Quick Connect
107157	Quick Connect Yoke Kit (Straight)
107159	Quick Connect Yoke Kit (Offset)
107158	Easy-On Yoke Kit (Straight)
107160	Easy-On Yoke Kit (Offset)

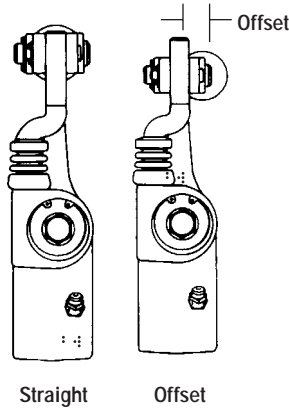
Kit contents at the end of this catalog section.



The most commonly used adapter is supplied with the slack adjuster. Other adapters may be purchased separately.

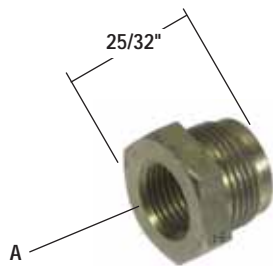


ASA-5® Automatic Slack Adjuster Exterior



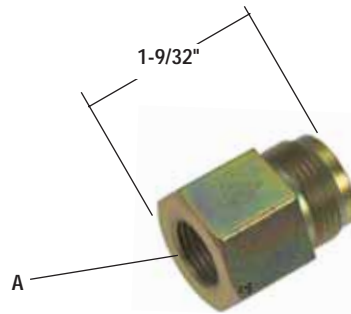
All offset slack adjusters are provided as shown. If the opposite offset is needed remove the yoke and rotate 180°.

### Standard Adapter



Service New Pc. No.	A Push Rod Thread Size
291452N	5/8"-18 UNF
292756N	1/2"-20 UNF

### Extended Adapter



Service New Pc. No.	A Push Rod Thread Size
297700N	5/8"-18 UNF
297701N	1/2"-20 UNF

ASA-5® Slack Adjuster Service Assy. Pc. No.	Arm Length A	Adapter Thread Size B	Yoke Offset	Service Parts/Kits	
				Adapter	Yoke
<b>1 1/4"-10C Spline</b>					
065162	5"	1/2"-20	5/8"	292756N	107160
065163	5-1/2"	5/8"-18	5/8"	291452N	107160
065244	5-1/2"	1/2"-20	5/8"	292756N	107160
065164	5-1/2"	1/2"-20	Straight	292756N	107158
801351	5-1/2"	5/8"-18	Straight	291452N	107158
801359	5"	5/8"-18	5/8"	291452N	107160
<b>1 1/4"-24 Spline</b>					
065166	5"	1/2"-20	5/8"	292756N	107160
065167	5-1/2"	5/8"-18	Straight	291452N	107158
065274	5-1/2"	1/2"-20	Straight	292756N	107158
801357	5"	5/8"-18	5/8"	291452N	107160
<b>1 1/2"-10C Spline</b>					
065168	5"	1/2"-20	Straight	292756N	107158
065169	5-1/2"	1/2"-20	5/8"	292756N	107160
065170	5-1/2"	5/8"-18	Straight	291452N	107158
065172	6"	5/8"-18	Straight	291452N	107158
801352	5"	5/8"-18	Straight	291452N	107158
801353	5-1/2"	1/2"-20	Straight	292756N	107158
801358	5-1/2"	5/8"-18	5/8"	291452N	107160
<b>1 1/2"-28 Spline</b>					
065173	5"	1/2"-20	Straight	292756N	107158
065174	5-1/2"	5/8"-18	Straight	291452N	107158
065176	6"	5/8"-18	Straight	291452N	107158
801354	5"	5/8"-18	Straight	291452N	107158
801355	5-1/2"	1/2"-20	Straight	292756N	107158
801356	6"	1/2"-20	Straight	292756N	107158
<b>1 5/8"-37 Spline</b>					
065177	6"	5/8"-18	Straight	291452N	107158
065178	5-1/2"	5/8"-18	Straight	291452N	107158

The easy-on-yoke assemblies are standard on the ASA-5® service basic slack adjusters, however, early production assemblies may contain the quick connect yoke.

If the quick connect yoke is required it must be purchased separately and installed by the customer.

All ASA-5® slack adjusters are supplied with a 45° lube fitting unless otherwise noted.



5/8" Adapter Kit - Quick Connect Pc. No. 107161N



1/2" Adapter Kit - Quick Connect Pc. No. 107162



Quick Connect Yoke Kit (Offset) - Pc. No. 107159



Easy-On Yoke Kit (Offset) - Pc. No. 107160



Quick Connect Yoke Kit (Straight) - Pc. No. 107157



Easy-On Yoke Kit (Straight) - Pc. No. 107158

# Bendix® Interactive Training CD

In-depth Product Training On Your Own Computer

## The Bendix Air Brake System Interactive Training CD

Brought to you by the team that produces our renowned air brake training schools, the Interactive Training CD offers a host of benefits:

- Provides convenient training at your location to fit your schedule
- Divided into separate training modules that can be completed all at once or broken out into several sessions
- Supplements the Bendix Air Brake Training Schools
- Can be used for individual and multi-user training
- Includes exercises, quizzes and a final exam, where successful participants can earn a Certificate of Completion
- Excellent ASE study guide

**Air Brake System Training  
... now at your fingertips**

Applicable to both new and experienced technicians, the CD covers the fundamentals of compressed air, as well as air system troubleshooting and diagnostics.

Created by the ASE-certified Bendix team, the comprehensive content includes operation and service elements for the total range of components found within dual air brake systems. It also includes course work on new technology systems, such as Advanced ABS and stability.

### Fully interactive, the CD:

- Links direct to Bendix Service Data sheets and [www.bendix.com](http://www.bendix.com)
- Takes just about 3 hours to complete all of the training modules
- Is available for only \$50! (plus shipping and handling)



Order  
BW2441

**Air brake safety counts.  
You and Bendix are making the difference.**

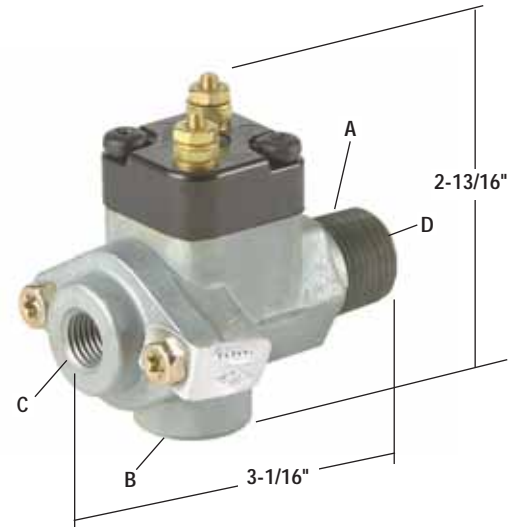
**Order your Interactive Training CD now  
(BW2441) on the Bendix Literature  
Center at [www.bendix.com](http://www.bendix.com), or by calling  
1-800-AIR-BRAKE.**

## DS-1™ Combined Stop Light Switch Double Check Valve

- Available Remanufactured Exchange
- Field Maintenance Kit 276142

V.M.R.S. 13-010-038

Reman. Exch. Pc. No.	Service New Pc. No.	A Male P.T.	B Female P.T.	C Female P.T.	D Female P.T.	E Terminal Thread
228050RX	228050N	1/2"	1/4"	1/4"	–	8-32
228165RX	228165N	3/8"	1/4"	1/4"	–	8-32
228520RX	228520N	1/2"	3/8"	1/4"	–	8-32
229493RX	–	1/2"	1/4"	1/4"	1/4"	8-32

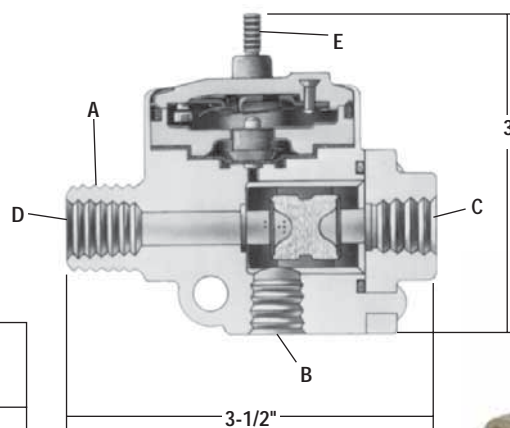


Maintenance Kit Pc. No. 276142

## DS-2™ Combined Stop Light Switch Double Check Valve

V.M.R.S. 13-010-038

Service New Pc. No.	A Male P.T.	B Female P.T.	C Female P.T.	D Female P.T.	E Terminal Thread
104563	3/8"	3/8"	1/4"	–	8-32
286452N	3/8"	3/8"	3/8"	–	8-32
286453N	3/8"	3/8"	3/8"	–	10-32
286704	–	3/8"	3/8"	3/8"	10-32

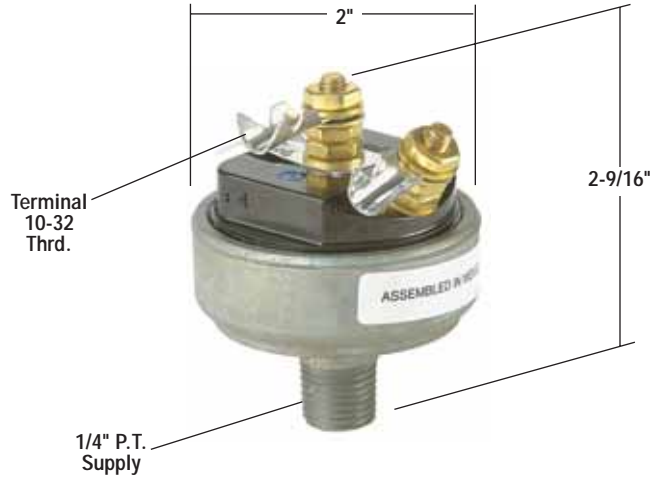




## SL-3™ Stop Light Switch

V.M.R.S. 34-002-008

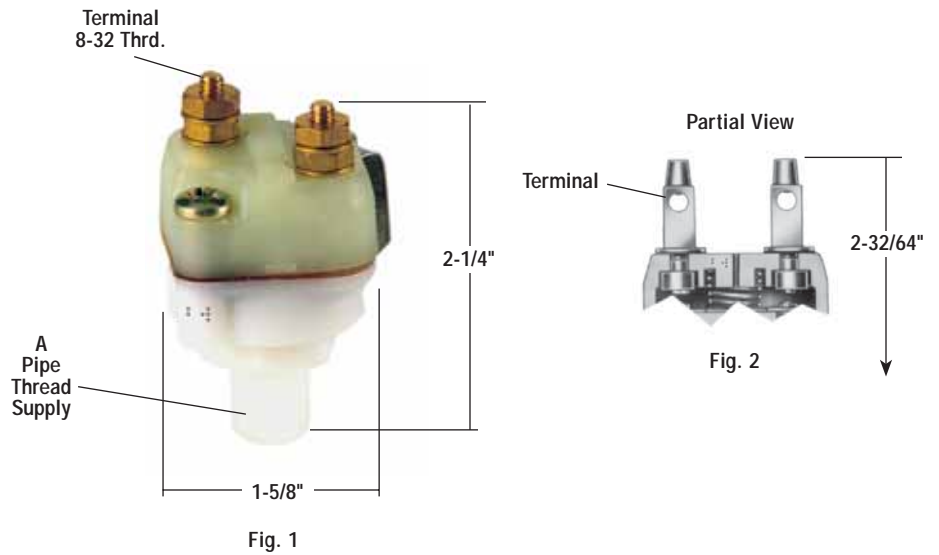
Service New Pc. No.
226262N



## SL-4™ Stop Light Switch

V.M.R.S. 34-002-008

Service New Pc. No.	A Pipe Thread	Fig. No.
228687N	3/8"	1
228688	1/4"	2



## SL-5™ Stop Light Switch

V.M.R.S. 34-002-008

Service New Pc. No.	Terminal Thread Size
286392N	8-32
286404N	10-32

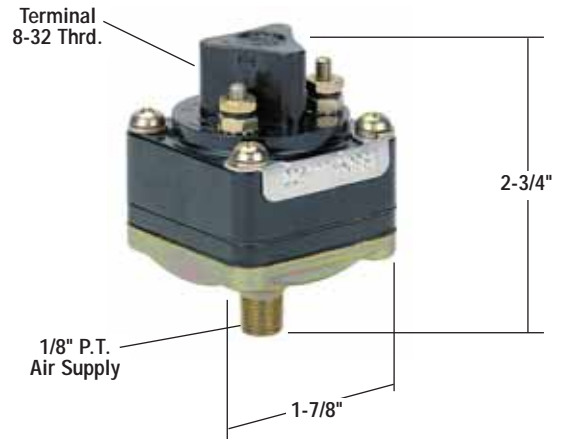


## TE-1™ Trailer Emergency Stop Light Switch

V.M.R.S. 34-002-008

Service New Pc. No.
228477

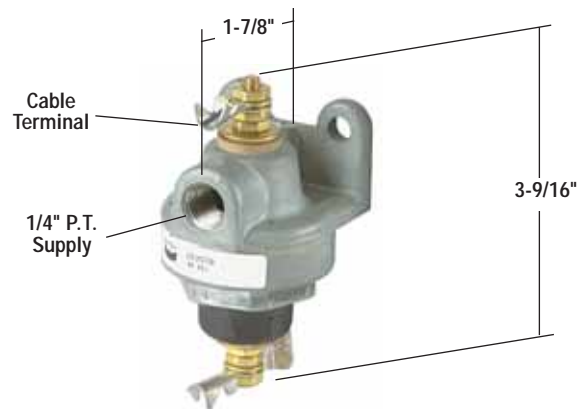
Circuit between terminals  
to be closed from 60 PSI  
to 0 PSI



## LP-2™ Low Pressure Indicator

V.M.R.S. 03-001-037

Service New Pc. No.	Cut-Out Pressure P.S.I.	Remarks
223578N	60 + 5 - 0	
224044	70 ± 6	Without Cable Terminal
288408	60 ± 6	Weatherproof



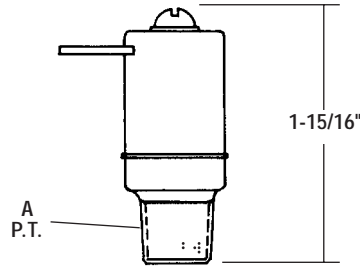
## LP-3™ Low Pressure Indicator

V.M.R.S. 03-001-037

### Single Terminal

Service New Pc. No.	Cut-Out Pressure P.S.I.	A Pipe Thread
*104246N	66 ± 6	1/4"
279416N	60 ± 6	1/4"
279472	75 ± 6	1/4"
280530N	70 ± 6	1/4"
289397N	75 ± 6	1/8"

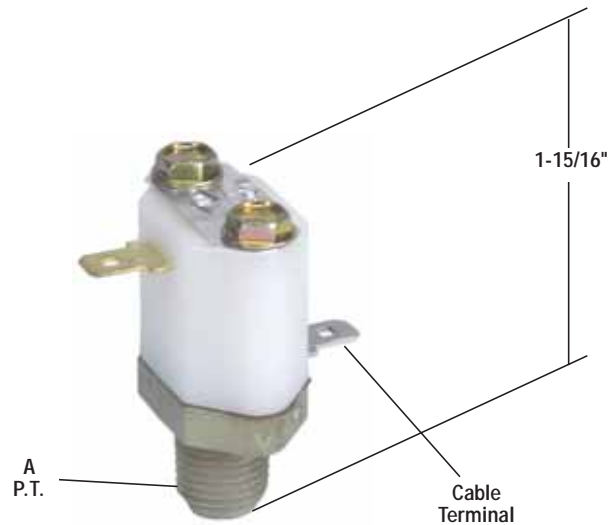
\*Push on terminal



### Double Terminal

Service New Pc. No.	Cut-Out Pressure P.S.I.	A Pipe Thread	Comments
228750N	60 ± 6	1/4"	
**275083N	—	1/4"	
276599N	30 ± 3	1/4"	
277155N	50 ± 5	1/4"	
*280743N	60 ± 6	1/4"	w/o cable terminal
284793N	80 ± 6	1/4"	w/o cable terminal
284833N	70 ± 6	1/4"	w/o cable terminal
283029N	60 ± 6	1/4"	w/o cable terminal
288522	66 ± 6	1/4"	w/o cable terminal

\*\*Pc. No. 275083N has a cut-in pressure of 75 ± 6 PSI



## Air Horn Kits

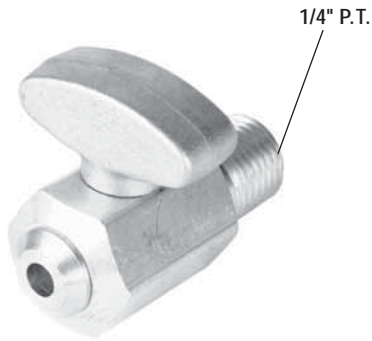
- Kits Include Horn Valve, Tubing & Fittings

Air Horn Kits	Application Description
207945N	Includes Hand Operated Horn Valve 228013
207946	Includes Foot Operated Horn Valve 228672

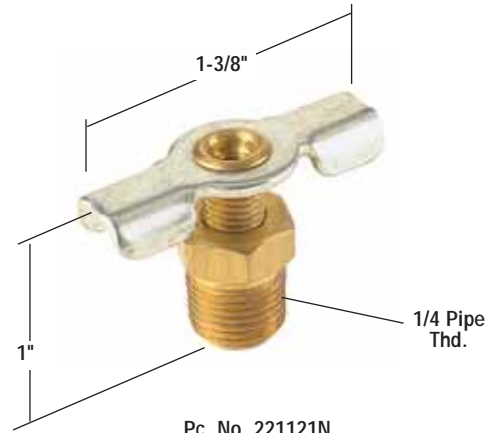
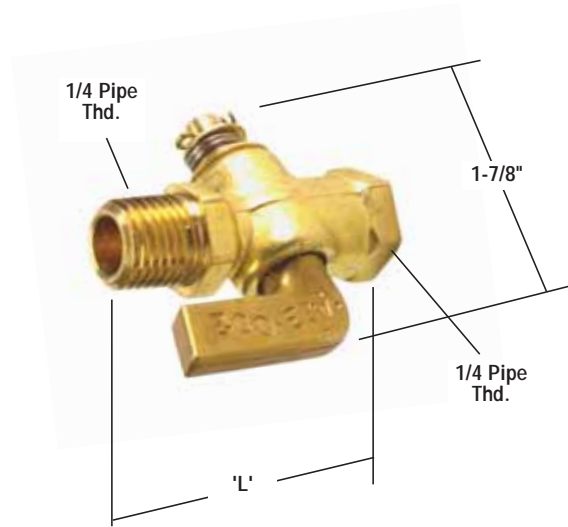


## C-1™ and C-3™ Cut-Out Cocks

Service New Pc. No.	'L' Length	Comments
220332N	1-7/8"	Closed as shown
226338N	1-7/8"	Open as shown
276068N	2-3/8"	Closed as shown



Pc. No. 103385N

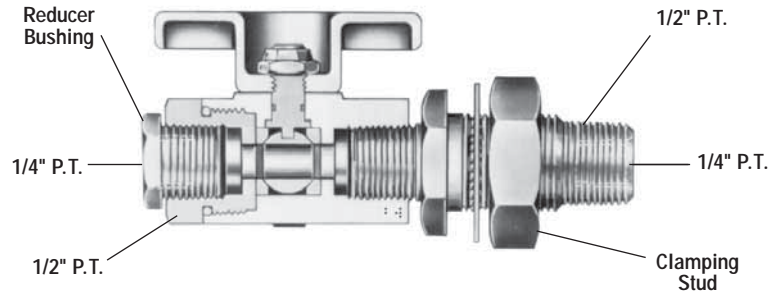


Pc. No. 221121N

## C-5™ Cut-Out Cocks

- Maintenance Kit 285938

Service New Pc. No.	Clamping Stud Pc. No.	Reducer Bushing Pc. No.
285172N	NONE	NONE
285697	205730N	212741

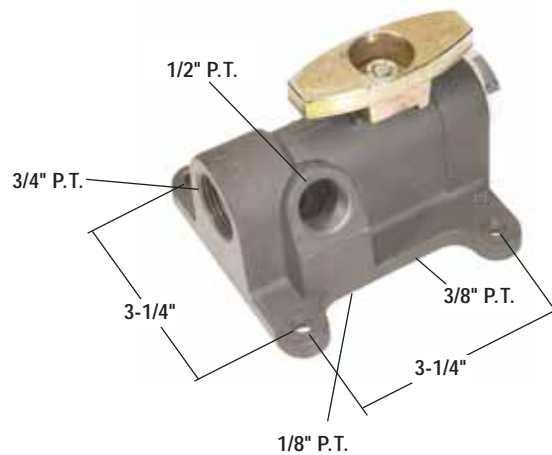


C-5™ Valve Maintenance Kit Pc. No. 285938

## C-6™ Cut-Out Cocks

- Handle shown in open position

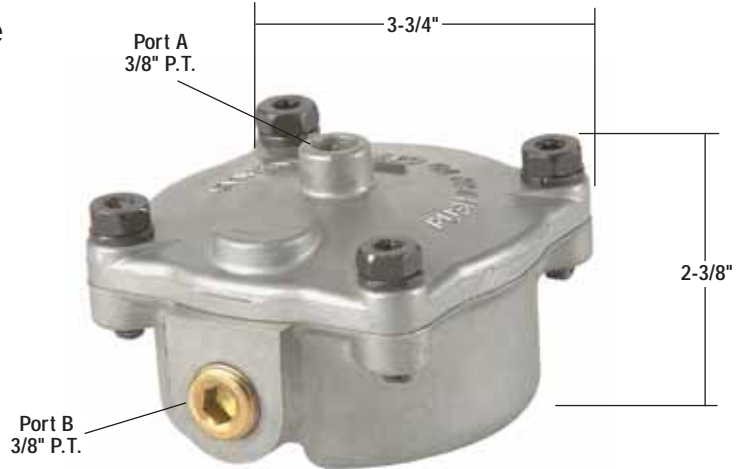
Service New Pc. No.
802718



## DV-2™ Automatic Reservoir Drain Valve

- Available Remanufactured Exchange
- Maintenance Kit 282134

V.M.R.S. 13-010-007



Reman. Exch. Pc. No.	Service New Pc. No.	Port A		Port B	
		1/4" Adapter Pc. No.	Pipe Plug Pc. No.	1/4" Adapter Pc. No.	Pipe Plug Pc. No.
281923RX	281923N	293248N	—	—	233057N
281924RX	281924N	—	233057N	293248N	—
*284412RX	*284412N	293248N	—	—	233057N
—	*284795N	—	233057N	293248N	—

\*With Heater



Maintenance Kit Pc. No. 802718

## Copper Tubing and Tubing Clamps

V.M.R.S. 13-010-053

Tubing Outside Diameter	Tubing Length	Carton of Coiled Copper Tubing Pc. No.
1/4"	25 Ft.	279567
1/4"	50 Ft.	279568
5/16"	25 Ft.	279569
5/16"	50 Ft.	279570
3/8"	25 Ft.	279571
3/8"	50 Ft.	279572
1/2"	25 Ft.	279573
1/2"	50 Ft.	279574
5/8"	25 Ft.	279575
3/4"	25 Ft.	279576

All tubing above conforms with SAE Spec. J844.

For Tubing O.D. Size	Tubing Clamp (Rubber Covered) Pc. No.
1/4"	232821N
5/16"	232822N
3/8"	232823N
1/2"	232824N
5/8"	232825
3/4"	232826N
1"	232827

## SAE Standard J844B Type 3 Nylon Tubing

V.M.R.S. 13-010-003

O.D. (Inches)	Wall Thickness (Inches)	Length Feet	Tubing Color	Nylon Tubing Pc. No.
1/8	.023	100	Black	249094
1/8	.023	1000	Black	112429
1/4	.040	100	Black	246113
1/4	.040	250	Black	246114
1/4	.040	100	Red	248441
1/4	.040	100	Yellow	248442
1/4	.040	100	Green	248443
1/4	.040	1000	Black	291995
5/16	.046	100	Black	249095
3/8	.062	100	Black	246115N
3/8	.062	250	Black	246116
3/8	.062	100	Red	248444N
3/8	.062	100	Yellow	248445
3/8	.062	100	Green	248446
3/8	.062	100	Orange	248447
3/8	.062	500	Black	291996
1/2	.062	100	Black	246117
1/2	.062	250	Black	246118
1/2	.062	100	Red	248448
1/2	.062	100	Green	248449N
1/2	.062	100	Orange	248450
1/2	.062	500	Black	291997
5/8	.092	100	Black	247606
3/4	.092	100	Black	247607
3/4	.092	100	Green	248451

Each carton of Nylon Tubing is designed for self dispensing. Adaptable for use with Standard Air Brake Fittings with the use of inserts.

## Tube Inserts for Nylon Tubing



Can be used with standard Bendix tubing fittings.

For Tube Size O.D.	Service New Pc. No.
1/4"	246088N
5/16"	292802
3/8"	246089N
1/2"	246090N
5/8"	247608
3/4"	246091N

## Standard Nuts and Sleeves



Nut

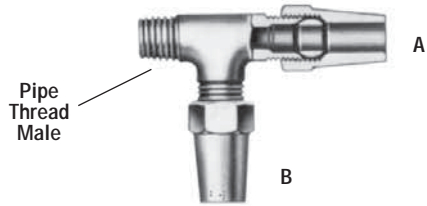


Sleeve

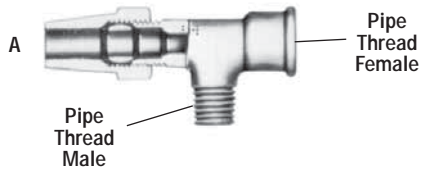
The tubing O.D. size determines the nut and sleeve used.

For Tubing Size O.D.	Nut Pc. No.	Sleeve Pc. No.
1/4"	200455	200457N
5/16"	200363	200364
3/8"	200360N	200361N
1/2"	203755N	203754N
5/8"	210613	210612N
3/4"	203896	203897
1"	203899	203900

## Tubing Fittings (cont.)



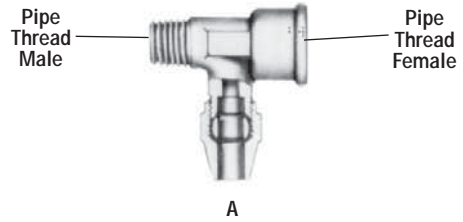
Pipe Thread Male	A Tubing O.D.	B Tubing O.D.	Tee Service New Pc. No.
1/8"	1/4"	1/4"	221978N
1/4"	3/8"	3/8"	205104N
3/8"	3/8"	3/8"	217050
3/8"	3/8"	1/2"	224647N



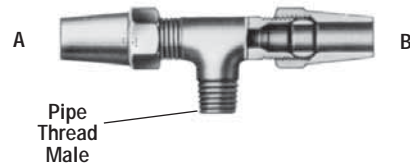
P.T. Female	P.T. Male	A Tubing O.D.	Tee Service New Pc. No.
1/4"	1/4"	3/8"	215954
1/4"	3/8"	1/2"	217640N
3/8"	1/2"	1/2"	275284N



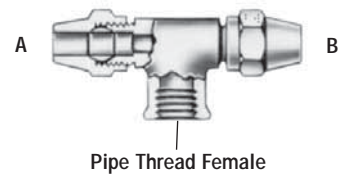
A Tubing O.D.	B Tubing O.D.	Union Service New Pc. No.
1/4"	1/4"	205514
3/8"	3/8"	205134N
1/2"	1/2"	215710
5/8"	5/8"	221826
3/4"	3/4"	216523
1"	1"	216339N



P.T. Female	P.T. Male	A Tubing O.D.	Tee Service New Pc. No.
1/4"	1/4"	3/8"	217619N
1/4"	3/8"	1/2"	224799N
1/2"	3/8"	3/8"	223664



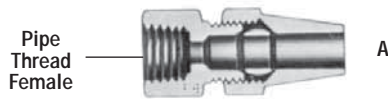
P.T. Male	A Tubing O.D.	B Tubing O.D.	Tee Service New Pc. No.
1/8"	1/4"	1/4"	205182N
1/8"	3/8"	3/8"	217051N
1/4"	1/4"	3/8"	225838
1/4"	3/8"	3/8"	205103N
3/8"	3/8"	3/8"	205177N
3/8"	1/2"	3/8"	224645N
3/8"	1/2"	1/2"	215700
1/2"	1/2"	1/2"	224721N
1/2"	5/8"	5/8"	221982



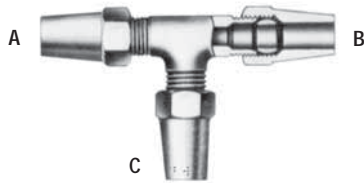
P.T. Female	A Tubing O.D.	B Tubing O.D.	Tee Service New Pc. No.
1/4"	3/8"	3/8"	224681N



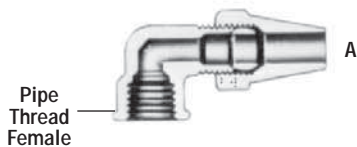
## Tubing Fittings (cont.)



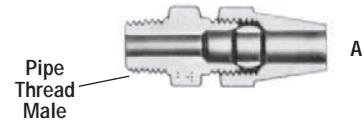
P.T. Female	A Tubing O.D.	Connector Service New Pc. No.
1/8"	1/4"	205101N
1/4"	3/8"	205826
3/8"	3/8"	205827
3/8"	1/2"	215711
1/2"	1/2"	225561
1/2"	5/8"	221987N
1/2"	3/4"	229738N



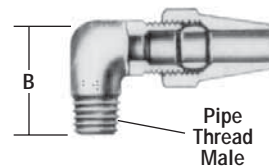
A Tubing O.D.	B Tubing O.D.	C Tubing O.D.	Tee Service New Pc. No.
1/4"	1/4"	1/4"	221979N
3/8"	3/8"	1/4"	225760N
3/8"	3/8"	3/8"	205106N
1/2"	1/2"	3/8"	225836N
1/2"	1/2"	1/2"	215712N
5/8"	5/8"	3/8"	222064N
5/8"	5/8"	5/8"	221984



P.T. Female	A Tubing O.D.	Elbow Service New Pc. No.
1/8"	1/4"	221977N
1/4"	3/8"	205135
3/8"	3/8"	205830
1/2"	5/8"	221983



P.T. Male	A Tubing O.D.	Connector Service New Pc. No.
1/8"	1/4"	205127N
1/8"	3/8"	205509N
1/4"	1/4"	205183N
1/4"	5/16"	205054
1/4"	3/8"	205053
1/4"	1/2"	217690N
3/8"	3/8"	205824N
3/8"	1/2"	217525N
3/8"	5/8"	216685
1/2"	3/8"	222063
1/2"	1/2"	217691N
1/2"	5/8"	216684N
1/2"	3/4"	217621N
3/4"	1/2"	217689N
3/4"	3/4"	215762
3/4"	1"	225786N
1"	1"	215763

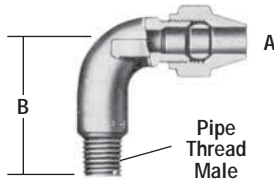


P.T. Male	A Tubing O.D.	B Height to Tubing Center	Elbow Service New Pc. No.
1/8"	1/4"	3/4"	205539N
1/8"	3/8"	31/32"	205522N
1/4"	1/4"	15/16"	224318N
1/4"	3/8"	31/32"	205102N
1/4"	3/8"	1-7/16"	222858N
1/4"	1/2"	1-1/8"	220475N
3/8"	3/8"	15/16"	205829N
3/8"	1/2"	1-1/8"	215709N
3/8"	5/8"	1-5/32"	221993N
1/2"	3/8"	1-5/16"	222062N
1/2"	1/2"	1-5/16"	216310N
1/2"	5/8"	1-3/8"	221825N
3/4"	1/2"	1-5/16"	221536N
3/4"	5/8"	1-5/16"	229108N
3/4"	3/4"	1-3/8"	216520N

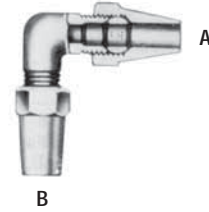
## Tubing Fittings (cont.)



Reducing Bushing Pc. No.	Pipe Thread	
	A	B
Brass		
212862N	3/8"	1/4"
230130N	1/2"	1/4"
230808N	1/2"	3/8"
Steel		
212349N	1/2"	3/8"
234680	3/4"	1/2"



P.T. Male	A Tubing O.D.	B Height to Tubing Center	Elbow Pc. No.
1/8"	3/8"	1-7/8"	215953
1/2"	3/4"	1-3/8"	217504N



A Tubing O.D.	B Tubing O.D.	Elbow Pc. No.
3/8"	3/8"	205113

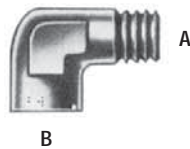


P.T. Male	A Tubing O.D.	Elbow (45°) Pc. No.
1/4"	3/8"	220722N
3/8"	3/8"	220291
3/8"	1/2"	220292
1/2"	3/8"	225650
1/2"	1/2"	227162
1/2"	5/8"	222065

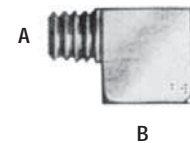
## Miscellaneous Fittings

V.M.R.S. 13-009-016

P.T.		Street Elbow 90° Pc. No.
A	B	
Brass		
1/8"	1/8"	233567
1/4"	1/4"	233568
3/8"	3/8"	233569N
1/2"	1/2"	233570
3/4"	3/4"	233571



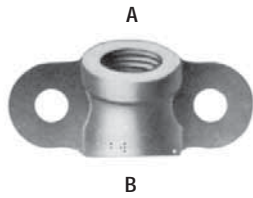
P.T.		Reducing Elbow 90° Pc. No.
A	B	
Brass		
1/8"	1/4"	232871N



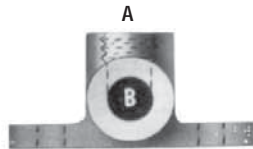
P.T.		Pipe Elbow Pc. No.
A	B	
Brass		
1/4"	1/4"	202915



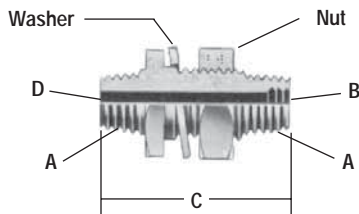
## Miscellaneous Fittings (cont.)



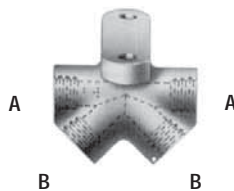
A Pipe Tap	B Pipe Tap	Anchor Elbow Pc. No.
1/4"	1/4"	201030N
3/8"	3/8"	212765N



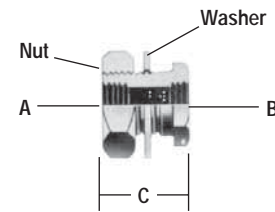
A Pipe Tap	B Pipe Tap	Anchor Elbow Pc. No.
1/4"	1/4"	201010N
3/8"	3/8"	233420N



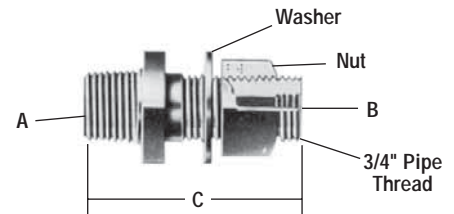
A P.T.	B Pipe Tap	C Length	D Pipe Tap	Clamping Stud Pc. No.
1/2"	1/4"	2-15/16"	—	205730N
1/2"	1/4"	3-15/16"	—	223464
1/2"	1/4"	2-15/16"	1/4"	228146



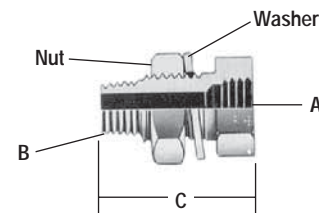
A Pipe Tap	B Pipe Tap	Manifold Fitting Pc. No.
3/8"	1/4"	210398N



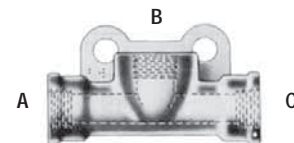
A Pipe Tap	B Pipe Tap	C Length	Anchor Coupling Pc. No.
1/8"	1/8"	1-17/32"	225740N
1/4"	1/4"	31/32"	221204N
1/4"	1/4"	1-17/32"	205465N
3/8"	3/8"	1-5/16"	217709N



A P.T.	B Pipe Tap	C Length	Clamping Stud Pc. No.
1/2"	1/4"	1/8"	205498N
1/2"	1/4"	2-1/2"	205499



A Pipe Tap	B P.T.	C Length	Anchor Coupling Pc. No.
3/8"	3/8"	1-7/8"	215672N

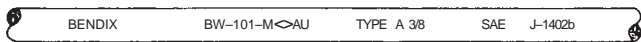


A Pipe Tap	B Pipe Tap	C Pipe Tap	Anchor Tee Pc. No.
1/4"	3/8"	1/4"	231379N
3/8"	3/8"	3/8"	236056N
3/8"	1/2"	3/8"	239727N

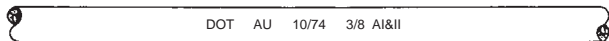
TYPE BW-101-M TYPE A HOSE is standard for all flexible connections in the air brake system where conditions do not require larger hose. They are most commonly used for Brake Chamber Hose connections, or Trailer Hose connections.

Identify by inside and outside diameters and continuous marking on the outside surface.

### 3/8" I.D. TYPE A (FRONT VIEW)



### BACK VIEW



BW-101-M HOSE is available as follows:

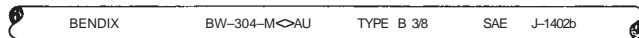
PC. NO.	DESCRIPTION
285496	50 Ft. Coil Carton

ORDER BY  
PIECE NUMBER

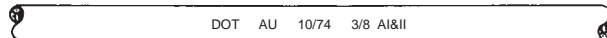
BW-304-M TYPE B HOSE is standard for all flexible connections in the air brake system where conditions do not require larger hose. It is most commonly used for Brake Chamber Hose connections, or Trailer Hose connections.

Identify by inside and outside diameters and continuous markings on the outside surface.

### 3/8" I.D. TYPE B (FRONT VIEW)



### BACK VIEW



BW-304-M HOSE is available as follows:

PC. NO.	DESCRIPTION
277546	50 Ft. Coil Carton
285497	100 Ft. Coil Carton
285498N	250 Ft. Coil Reel

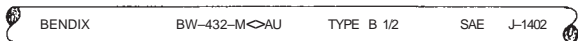
ORDER BY  
PIECE NUMBER

TYPE BW-432-M TYPE B HOSE is of similar construction to BW-101-M TYPE B HOSE but has larger inside and outside diameters. It is used in special cases requiring larger hose than the standard Type BW-101-M.

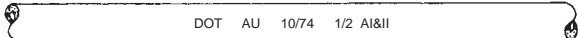
Identify by inside and outside diameters and continuous markings on the outside surface.

BW-127-M HOSE is available in a maximum length of 50 Ft. It is supplied as follows:

### 1/2" I.D. TYPE B (FRONT VIEW)

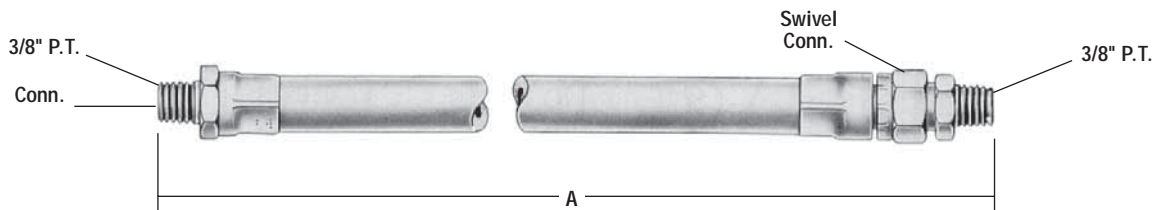


### BACK VIEW



PC. NO.	DESCRIPTION
5005978	100 Ft. Coil Bulk
5005979	250 Ft. Coil Bulk
5006705	50 Ft. Coil Bulk

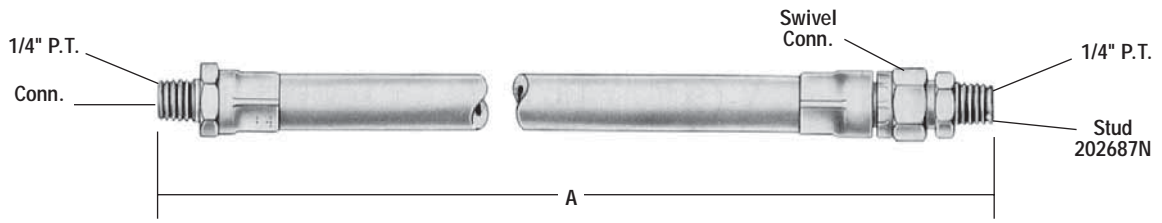
ORDER BY  
PIECE NUMBER



BW-432-M Type B 1/2" I.D. x 7/8" O.D.

1/2" I.D. TYPE B HOSE

A	Hose	A	Hose	A	Hose	A	Hose	A	Hose
Overall Length	Assembly Pc. No.	Overall Length	Assembly Pc. No.	Overall Length	Assembly Pc. No.	Overall Length	Assembly Pc. No.	Overall Length	Assembly Pc. No.
18"	5005961	24"	5005964	32"	5005968	38"	5005971	46"	5005975
20"	5005962	26"	5005965	34"	5005969	40"	5005972	48"	5005976
22"	5005963	28"	5005966	36"	5005970	44"	5005974	60"	5005977



BW-304-M Type B 3/8" I.D. x 3/4" O.D.

3/8" I.D. TYPE B HOSE

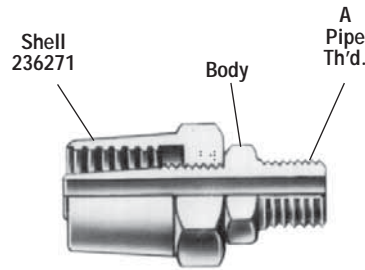
A Overall Length	Hose Assembly Pc. No.	A Overall Length	Hose Assembly Pc. No.	A Overall Length	Hose Assembly Pc. No.	A Overall Length	Hose Assembly Pc. No.
15-1/8	228533	24-7/8	228544N	32	228552	45-1/8	228563
18-5/8	228535	26-7/8	228547	34-3/8	228554	50-1/8	228565
20-3/8	228539	27-5/8	228548	36-1/8	228555	54-1/8	228566
22-5/8	228541N	29-1/8	228549	38-1/8	228557	68-5/8	228567
24-1/8	228472	30-1/8	228550	42-5/8	228561		

FOR 3/4 O.D. x 3/8 I.D. HOSE

### Hose Connector

For BW-101-M & BW-304-M Hose

A P.T.	Hose Connector Pc. No.	Body Pc. No.
1/4"	226134	236268
3/8"	226135	236269
1/2"	226136	236270

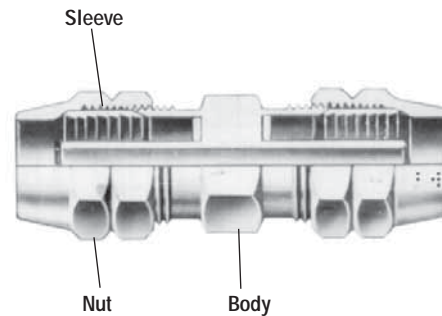


FOR 3/4 O.D. x 3/8 I.D. HOSE

### Hose Union

For BW-101-M & BW-304-M Hose

Hose Union Pc. No.	Body Pc. No.	Sleeve 2 Required Pc. No.	Nut 2 Required Pc. No.
216678	216694	203610N	203624

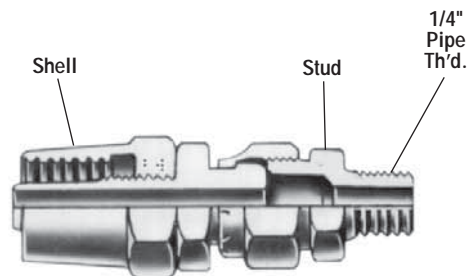


FOR 3/4 O.D. x 3/8 I.D. HOSE

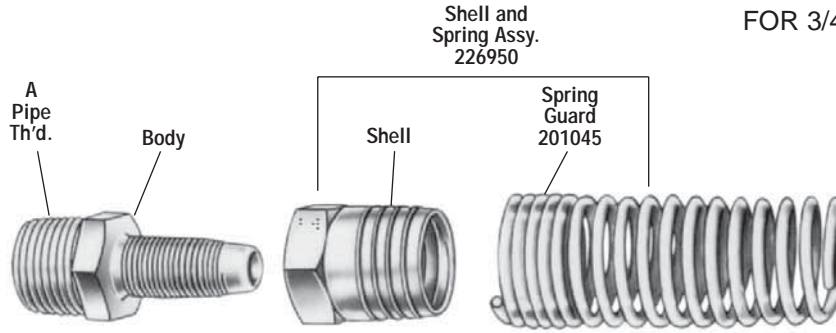
### Hose Connector (Swivel)

For BW-101-M & BW-304-M Hose

Hose Connector (Swivel) Pc. No.	Stud Pc. No.	Shell Pc. No.
226293N	202687N	236271

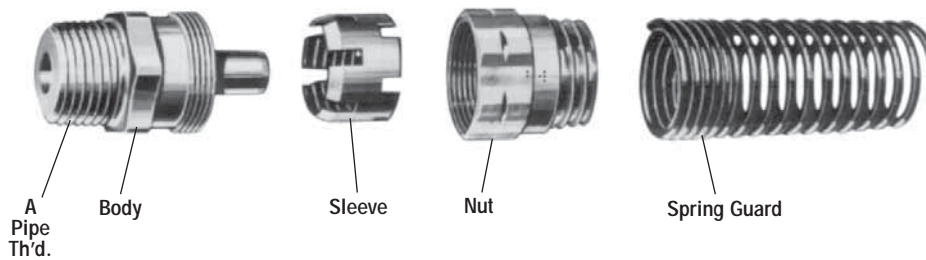


FOR 3/4 O.D. x 3/8 I.D. HOSE



Hose Connector with Spring Guard For BW-101-M & BW-304-M Hose

A P.T.	Hose Connector with Spring Guard Pc. No.	Body Pc. No.
1/4"	226137	236268
3/8"	226138	236269
1/2"	226139N	236270



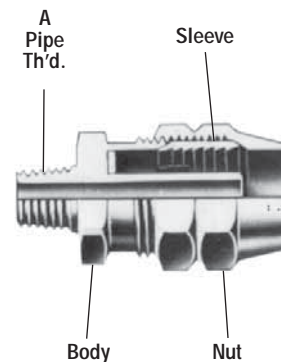
Hose Connector with Spring Guard

A P.T.	For Hose	Body Pc. No.	Sleeve Pc. No.	Nut Pc. No.	Spring Guard Pc. No.	Hose Connector with Spring Guard Pc. No.
1/4"	3/8" I.D. Types A & B	215993	203610N	203613	201045	215536N
3/8"	3/8" I.D. Types A & B	233470	203610N	203613	201045	223907N
3/8"	7/16" I.D. Types A & B	216173	204741	204742	204743	216172
1/2"	3/8" I.D. Types A & B	215992	203610N	203613	201045	215535N

## Hose Fittings

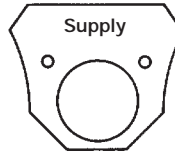
### Hose Connector

A P.T.	For Hose No.	Hose Connector Pc. No.	Body Pc. No.	Sleeve Pc. No.	Nut Pc. No.
1/2"	BW-101 & 304-M	215539	215992	203610N	203624
1/4"	BW-101 & 304-M	215540N	215993	203610N	203624
3/8"	BW-127 & 348-M	217604	216173	204741	212318
3/8"	BW-101 & 304-M	224887	233470	203610N	203624

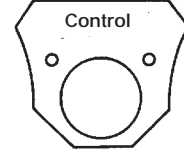


## Hose Suspension Spring

Description	Spring Pc. No.
3/4" Dia.-Std.	200661N
1" Dia.-H.D.	249393
1-1/16" Dia.-H.D.	249394



Connection Tag  
For 'Supply' Hose Line  
Pc. No. 201499N



Connection Tag  
For 'Control' Hose Line  
Pc. No. 201500N

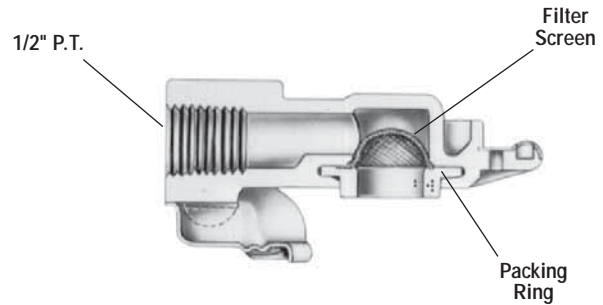
## Hose Couplings

V.M.R.S. 13-010-030  
13-010-031

### Standard Die Cast

Pc. No.	Filter Screen Pc. No.	Coupling Identificatin
275150N	None	None
*275824	None	None
278698N	241839N	None

\* With 1/2" Nipple Pc. No. 212324N



### TRU-CUPL

### Hose Couplings

Hose Coupling Pc. No.	Filter Screen Pc. No.	Coupling Identification
278850N	None	Control
278851N	None	Supply
278852N	241839N	Control
278853N	241839N	Supply

## Filter Screen



Pc. No. 241839N  
Fits All Couplings

## Packing Rings



Pc. No. 213630N  
Standard



Pc. No. 248579  
Double Lip  
Fits All Couplings

## Dummy Couplings

Dummy Coupling with Chain Service New Pc. No.	Rivet Eye	Hole Dia.	Chain Pc. No.
220635N	None	1/8"	212930
220636N	None	None	212930
224810N	Included	None	212930
277994	None	None	212930

Dummy Coupling Service New Pc. No.	Hole Dia.
212227N	None
291991N	3/16"



## Air Dryers 08

## Water Separator and Trailer Air Dryer

### Cyclone DuraDrain™ Water Separator

- Removes both moisture and solid contaminants
- Purge Nut Kit Pc. No. 5013824
- Mounting Spacer Kit Pc. No. 5014792

Service New Pc. No.
801731



### Trailer System-Guard® Air Dryer

- Removes both moisture and solid contaminants

Service New Pc. No.
800765



All Supply and Control ports 1/4" NPT



## PuraGuard® Filter

- For service new replacement assembly use a PuraGuard QC™ Filter
- Maintenance Kit 5006788
- Rebuild Kit 5006789



## PuraGuard QC™ Filter

- Mounting Bracket Kit Pc. No. 5013671
- Cartridge Kit Pc. No. 5013672



## AF-3™ In-Line Filter

- Removes Solid Contaminants

Service New Pc. No.
801331



## AD-2® Air Dryer

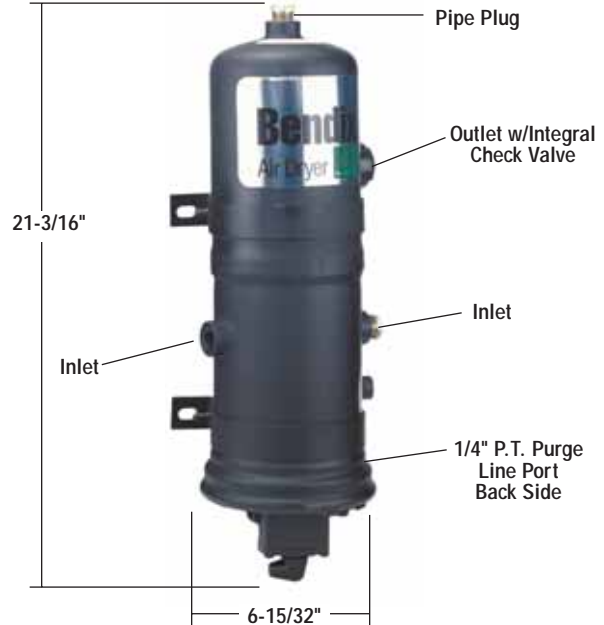
- End Cover Available Remanufactured Exchange  
V.M.R.S. 13-010-033

### AD-2® Air Dryer Field Installation Kits For Trucks

Reman. Exch. Pc. No.	Service New Pc. No.	Inlet/Outlet Size	Remarks
286934RX	286934N	1/2" P.T.	12 V.D.C. - 60 W. Heater

### Service/Maintenance Information Maintenance Kits:

Service New Pc. No.	Description
286718	Desiccant Cartridge Refill Kit
287313	Desiccant Cartridge Kit
101900X	Reman. Desiccant Cartridge
287298N	Check Valve Maintenance Kit
287053N	Purge Valve Maintenance Kit
102657N	Thermostat Maintenance Kit
288918	Thermostat Cover Maintenance Kit



### End Covers

Reman. Exch. Pc. No.	Service New Pc. No.	Remarks
103253RX	-	24 V.D.C. - 120 W. Heater
286875RX	286875N	12 V.D.C. - 60 W. Heater
286876RX	286876	24 V.D.C. - 60 W. Heater

## AD-4® Air Dryer

### Reman. AD-4® Air Dryer Assemblies

AD-4® Air Dryer Reman. Exch. Pc. No.	AD-9® Service New Pc. No.	AD-9® Air Dryer Reman. Exch. Pc. No.	Heater Volts	Supply Ports	Comments
065041X	065225	5009378	12	1/2 P.T.	
065102X	065228	065228RX	12	3/4 P.T.	Extended Purge

### Maintenance Kits

Pc. No.	Description
065044X	Reman End Cover 12V 1/2" Ports
102657N	Thermostat Kit (single term.)
103817	Major Kit
103818	Purge Valve Kit
103879	Seal Kit
103980N	End Cover Kit
103981	Desiccant Cartridge Kit
103982	Thermostat Kit (double term.)
104027N	Mounting Bracket Kit
104358RX	Reman. Desiccant Cartridge
288918	Thermostat Cover Kit (single)

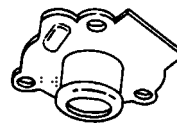
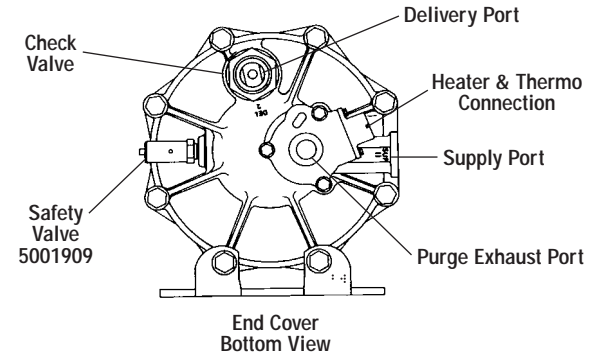
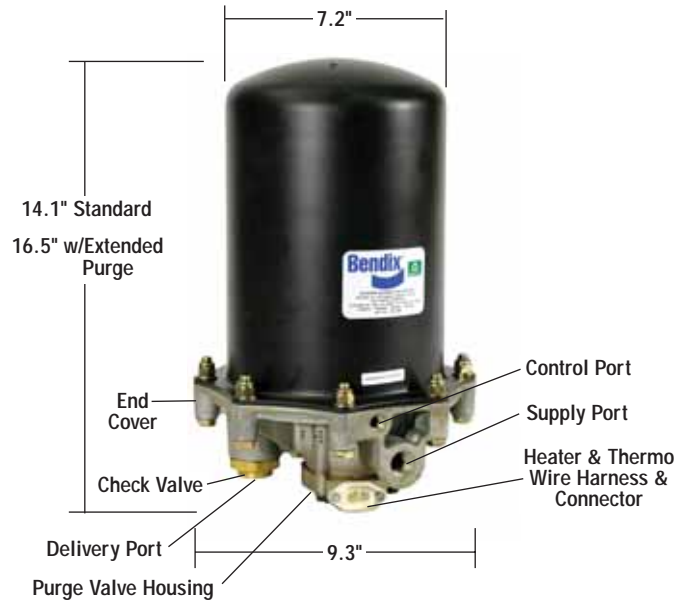


## AD-9® Air Dryer

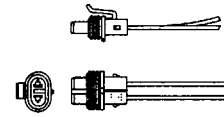
- More Desiccant Works Longer
  - Compact Size Saves Space
  - Remanufactured Exchange
- V.M.R.S. 13-010-033

Pc. No.	Description
107796	Service New – Desiccant Cartridge
107794X	Reman. Exchange – Desiccant Cartridge
5004479	Hard Seat Purge Valve Kit 12V-75W
5004480	Hard Seat Purge Valve Kit 24V-75W
5004381	Hard Seat Purge Valve Kit 24V-100W
5005037	Hard Seat Purge Valve Maint. Kit
800405	Soft Seat Purge Valve Kit 12V-75W
5004380	Field Modification Kit (Kit Pc. No. 800405 Included)
5004338	Soft Seat Purge Valve Kit 24V-75W
5005893	Soft Seat Purge Valve Kit Maint. Kit
5004339	DLU Purge Valve Kit 12V-75W
5004340	DLU Purge Valve Kit 24V-75W
5004341X	Reman. Soft Seat Purge Valve Asm. Kit 12V-75W
5004342X	Reman. Soft Seat Purge Valve Asm. Kit 24V-75W
109578	Heater & Thermostat Kit 12V-75W
109579	Heater & Thermostat Kit 24V-75W
5002595	Heater & Thermostat Kit 24V-100W
109871N	Heater Electrical Splicing Kit
107800N	Check Valve Kit 1/2"
107799	Check Valve Kit 3/4"
5003838	Exhaust Cover Kit
5004224N	Silencer Kit
107695	Bracket Kit
113209	Universal Mounting Plate

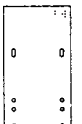
Detail Parts or assemblies not displaying a part number and not contained in a kit ARE NOT AVAILABLE



Exhaust Cover  
Pc. No. 5003838



Wiring Harness & Connector  
Pc. No. 109871N



Universal Mounting Plate  
Pc. No. 113209

Service New Pc. No.	Reman. Exch. Pc. No.	Purge Volume	Purge Valve	Port Size	Heater	Note
065225	109685X	Std.	Hard	1/2"	12V	
065226	109687X	Std.	Hard	3/4"	12V	
800243	–	Std.	Hard	3/4"	24V	
065650	109689X	Std.	Soft	1/2"	12V	
065651	109690X	Std.	Soft	3/4"	12V	
065652	109691X	Extend	Soft	3/4"	24V	
065499	–	Std.	DLU	1/2"	12V	
065605	–	Std.	DLU	3/4"	24V	
065647	–	Std.	Soft	1/2"	12V	Drop In*
065243	5000205X	Extend	Hard	1/2"	12V	
065228	065228RX	Extend	Hard	3/4"	12V	
800686	–	Extend	Hard	1/2"	24V	
065227	109688X	Extend	Hard	3/4"	24V	

\*For use with Holset Series QE Compressors only

## AD-SP® Air Dryer

- System Purge

V.M.R.S. 13-010-033

### AD-SP® Air Dryers & Field Installation Kits

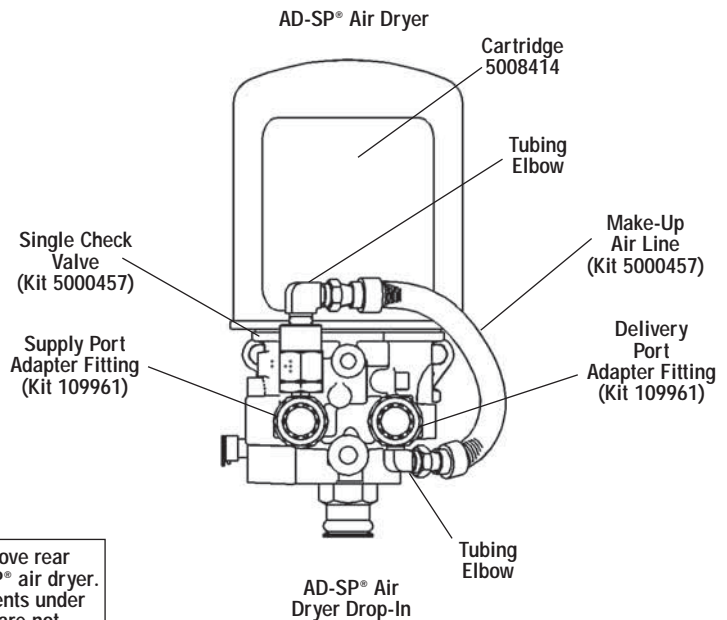
AD-SP® w/ SC-PR™ Service New Pc. No.	AD-SP® Service New Pc. No.	Heater & Thermostat Volts- Watts (See Note 2)
131031	800887	12v-90w
131032	800972	24v-90w

Note 1: All replacement air dryers include 109871N, wire harness and splice kit.

Note 2: 12 & 24 volt AD-SP® air dryers are identified by connector color – White = 12v, Gray = 24v

### Maintenance Kits

Desiccant Cartridge Kit .....	5008414
Purge Valve Kit .....	109995
Check Valve Kit .....	5005624
Silencer Kit .....	5004224N
Turbo Cut-off Kit .....	109993
Heater & Thermostat Kit	
• 12V .....	109495
• 24V .....	109496
Wire Harness & Splice Kit .....	109871N



Do not remove rear cover of AD-SP® air dryer. The components under the cover are not serviceable.



SC-PR™  
Single Check Protection Valve –  
must be used in conjunction  
with the AD-SP® Air Dryer  
065677 - Service New

## AD-IP® Air Dryer

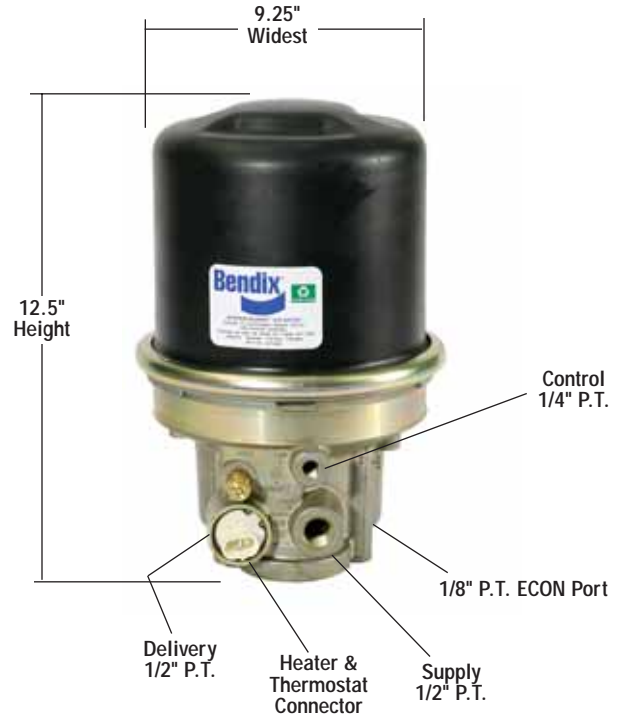
- Integral Purge Air Dryer

V.M.R.S. 13-010-033

### Maintenance Kits

Description	Pc. No.
Desiccant Cartridge Service New	065624
Desiccant Cartridge Remanufactured	109493X
Service New Purge Valve	800404
Purge Valve Maintenance Kit	5003547
High Boost Purge Valve Kit	K022105
Cartridge Bolt Kit	109498
Delivery Check Valve Kit	109494
12 Volt Heater & Thermostat Kit	109495
24 Volt Heater & Thermostat Kit	109496
Wire Harness & Splice Kit	109871N
Mounting Bracket Kit	5001247
*Extended Purge Kit	5005309N

\*For extended purge air dryers only; includes 90 in<sup>3</sup> reservoir.



Service New Pc. No.	Reman. Exch. Pc. No.	Supply Port	Delivery Port	Heater & Thermo. Volts-Watt	Comments
065612	109477X	1/2" PT	1/2" PT	12v - 90w	Notes 3, 4, 5, 6
065613	109478X	1/2" PT	1/2" PT	24v - 90w	Notes 3, 4, 5, 6
065693	109503X	1/2" PT	1/2" PT	12v - 90w	Notes 1, 3, 4
800089	5000985X	1/2" PT	1/2" PT	12v - 90w	Notes 2, 3, 4, 5, 6
800618	5006234X	1/2" PT	1/2" PT	24v - 90w	Notes 3, 4, 5, 6, 7
800576	5005556X	1/2" PT	1/2" PT	12v - 90w	Notes 3, 4, 5, 6, 7
800577	5005567X	1/2" PT	1/2" PT	12v - 90w	Notes 2, 5, 7

Note 1 - No upper or lower mounting bracket.

Note 2 - Has 1/8" PT ECON port (plugged). See illustration for port location.

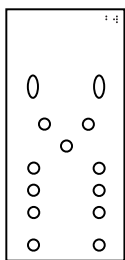
Note 3 - All replacement air dryers include 109871N (wire harness and splice kit).

Note 4 - 12 & 24 volt air dryers are identified by connector color - White = 12v, Gray = 24v

Note 5 - Center to center of slots in both mounting brackets 5.64 inches

Note 6 - All replacement air dryers include 5001247 (mounting bracket kit)

Note 7 - Extended Purge



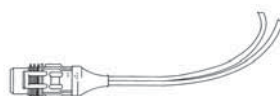
**Universal Mounting Plate**

Pc. No. 113209

(Can be used to mount any Bendix® air dryer to vehicle)



**Exhaust Cover 112609**  
(available as a separate item)



**Wire Harness Assembly**  
(Use Kit 109871N)

### AD-IP® DI Air Dryer Drop In

Service Pc. No.	Reman. Pc. No.	Supply Port	Delivery Port	Heater & Thermo. Volts-Watt	Comments
800067	5000709X	1/2" PT	1/2" PT	12v - 90w	Notes 1, 2
800168	5001751X	1/2" PT	1/2" PT	12v - 90w	Note 3

Note 1 - All replacement air dryers include 109871N (wire harness and splice kit) and 5001247 (mounting bracket kit).

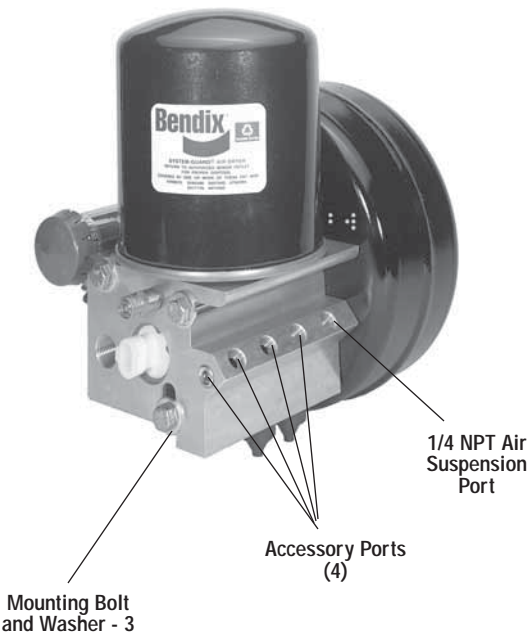
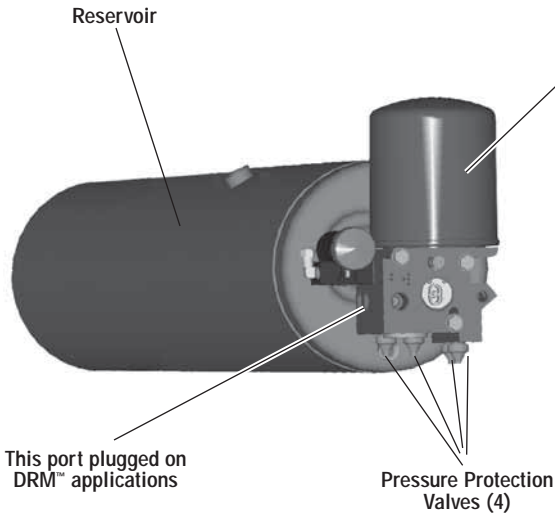
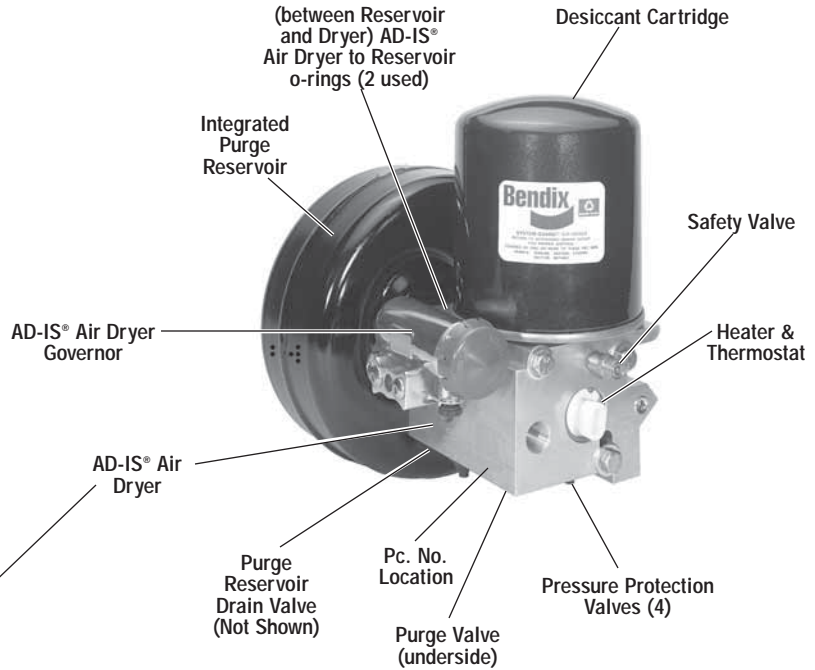
Note 2 - 12 & 24 volt air dryers are identified by connector color - White = 12v, Gray = 24v

Note 3 - Includes ECon Check Valve Kit, Mounting Kit not included

## AD-IS® Air Dryer

- Spin on cartridge

V.M.R.S. 13-010-033



### KITS AND SERVICE PARTS

AD-IS® Air Dryer to Reservoir o-rings (2 used) . . . . .	5002816
Delivery Check Valve Replacement Kit . . . . .	5004052
Desiccant Cartridge Replacement Kit . . . . .	5008414
Governor Adapter . . . . .	5003698
Governor and Check Valve Replacement Kit . . . . .	5004049
Governor Gasket . . . . .	5007834
Heater & Thermostat Replacement (12 volt) . . . . .	109495
Heater & Thermostat Replacement (24 volt) . . . . .	109496
Mounting Bolt Kit . . . . .	5009233
Protective Boots (for pressure protection valves) . . . . .	5005163
Purge Valve Maintenance Kit . . . . .	5003547
Purge Valve Replacement Kit . . . . .	800404
Safety Valve . . . . .	800350
Splash Shield Kit (includes bracket and cover) . . . . .	5006698
Splash Shield Cover . . . . .	5005266N
Wire Retainer (optional for cover) . . . . .	5009653
Wiring Harness & Splice Kit . . . . .	109871N

### Specialty Kits

Adapter Block and Check Valve Kit . . . . .	5011033
Delivery Check Valve Kit for Adapter Block . . . . .	5011034
Exhaust Cover Kit for Purge Valve . . . . .	5011327
Governor (KB low range) and Check Valve Kit . . . . .	5010935
Purge Valve Replacement Kit - DLU . . . . .	5009650

**NOTE:** There are no kits available for the pressure protection valves. These are not serviceable items - see warning below.

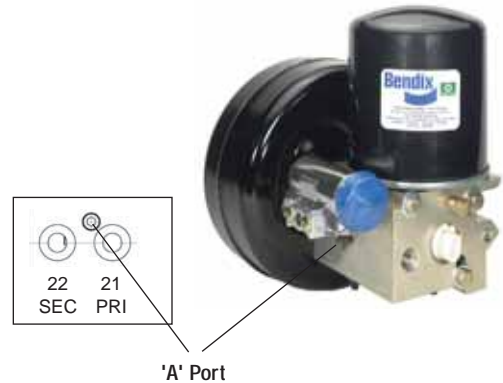
### WARNING:

Do not attempt to adjust or service the Pressure Protection valves. Incorrect pressure protection valve settings can result in automatic application of vehicle spring brakes without prior warning.

Pc. No. on AD-IS® Air Dryer (Ref.)	'A' Port* Plug	Service Pc. No.	Reman Pc. No.	Primary Port	Primary Port Opening Pressure	Secondary Port	Secondary Port Opening Pressure	Accessory Ports Opening Pressure	Suspension Port Opening Pressure	Heater Voltage (90 Watt)	Comments
5005921	without	800959	5008871X	1/2" PTC	103psi	1/2" PTC	109psi	55psi	85psi	12	GMT560-C (obselete)
5008296	with	801145	5010104X	1/4" NPT	106psi	1/4" NPT	106psi	106psi	106psi	24	Orion Bus
5008925	without	-	5009347X	1/2" PTC	103psi	1/2" PTC	109psi	55psi	85psi	12	GMT560-T (obselete)
5010134	with	801147	5010133X	1/4" NPT	106psi	1/4" NPT	106psi	106psi	106psi	12	Generic 12V
5010135	with	801147	5010133X	1/4" NPT	106psi	1/4" NPT	106psi	106psi	106psi	12	Generic 12V
5010212	with	801164	5010211X	1/4" NPT	106psi	1/4" NPT	106psi	106psi	106psi	24	Generic 24V
5010213	with	801164	5010211X	1/4" NPT	106psi	1/4" NPT	106psi	106psi	106psi	24	Generic 24V
5010694 (Note 1)	with	801266	5010696X	1/4" NPT	103psi	1/4" NPT	109psi	109psi	109psi	12	Peterbilt
5010900	with	810301	5010924X	1/4" NPT	103psi	1/4" NPT	103psi	103psi	109psi	12	DLU Operation
5015533	with	801266	5010696X	1/4" NPT	103psi	1/4" NPT	109psi	109psi	109psi	12	Kenworth
5015534	with	801266	5010696X	1/4" NPT	103psi	1/4" NPT	109psi	109psi	109psi	12	Kenworth
5016364	with	802191	-	1/4" NPT	106psi	1/4" NPT	106psi	106psi	106psi	12	International
5016420	without	802174	5008871X	1/2" PTC	103psi	1/2" PTC	109psi	55psi	85psi	12	GMT560-C
5016421	without	802174	5008871X	1/2" PTC	103psi	1/2" PTC	109psi	55psi	85psi	12	GMT560-T

Note 1 - Contains three Accessory ports - all other AD-IS® air dryers shown have 4 Accessory ports.

\*\*\*AD-IS® air dryer has 1/4" NPT auxiliary inlet port.



\*AD-IS® air dryers with a plugged port 'A' can not be interchanged with those that do not have a port in this location.

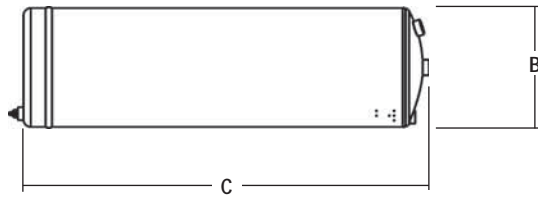


Figure 1

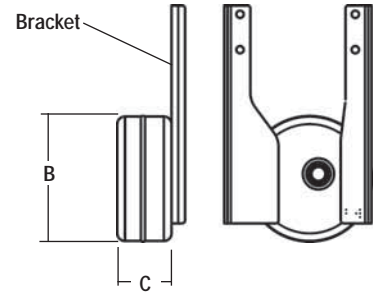
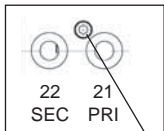


Figure 2

### AD-IS® Air Dryer used on Dryer Reservoir Module (DRM™)

AD-IS® Service New Pc. No.	AD-IS® Reman. Exch. Pc. No.	Pc. No. on AD-IS® Air Dryer (Reference)	'A' Port* Plug	Suspension Port	Accessory Ports (Qty.)	Heater Voltage (90 Watt)
800383	5004050X	5003424	without	1/4" NPT	1/4" NPT (4)	12
800838	5008332X	5007593	without	1/4" PTC	1/4" NPT (3) 3/8" PTC (1)	12
801100	5009483X	5009232	without	1/4" NPT	1/4" NPT (4)	12
801330	5011075X	5011074	without	none	none	12
801324	-	5011041	without	1/4" PTC	1/4" NPT (3) 3/8" PTC (1)	24



'A' Port



Service and Remanufactured AD-IS® air dryers do not include DRM™ Reservoirs or Purge Volume Reservoirs.

\*AD-IS® air dryers with a plugged port 'A' can not be interchanged with those that do not have a port in this location.

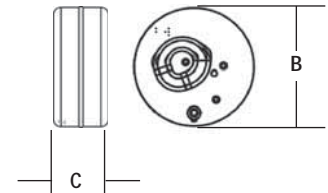


Figure 3

### Reservoirs for DRM™ Dryer Reservoir Module

Service New Pc. No.	'B' Dia.	'C' Length	Number of Compartments	Comments	Figure
5005313N	9"	53.5"	2	Steel	1
5009107N	9"	55.5"	2	Aluminum	1
5007588	9"	26"	3	Steel	1
5008939N	9"	29.8"	2	Steel	1
5009569N	12"	56.1"	3	Steel	1
5011548N**	9"	53.5"	3	Steel	1

\*\*for use on vehicle with FreedomLine® transmission & has an integral 610 in<sup>3</sup> chamber

### Purge Volume Reservoirs

Service New Pc. No.	'B' Dia.	'C' Length	Volume (Cubic Inches)	Mounting Bracket	Figure	Comments
5008781	9"	3.9"	200	Included	2	Standard
5009028N	9"	6"	300	4 Hole SAE Mtg.	4	Extended Purge
5008574	9"	3.9"	200	4 Hole SAE Mtg.	3	Standard
5011292	9"	3.9"	200	Included	5	Standard

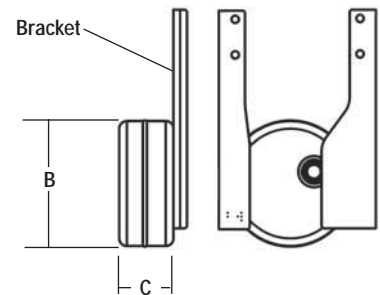


Figure 5

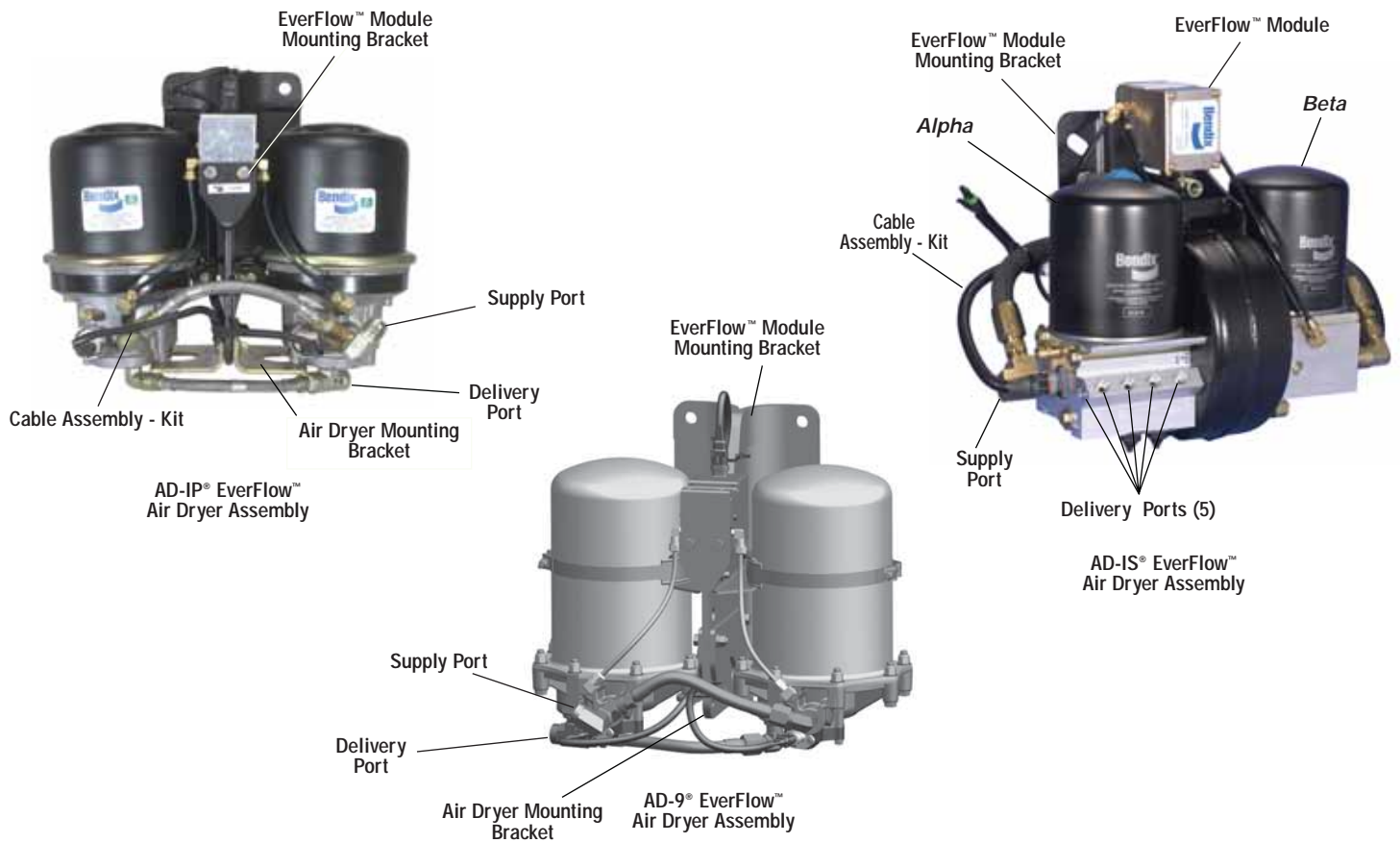
PTC = Push to Connect



## EverFlow™ Module Assembly

Service New Pc. No.	Voltage	Air Dryer				EverFlow			Supply & Delivery Port Location
		Model	Service New Pc. No.	Reman. Exch. Pc. No.	Mounting Bracket	Module	Mounting Bracket	Cable Assembly Kit	
801032	12	AD-9®	065650	109689X	5009610	800685	5008483	5008484	Shown
800801	12	AD-IP®	065693	109503X	5001247	800685	5008483	5008484	Shown
801288	24		065613	109478X		800722			
802121	12	AD-IS®	5015844 alpha	DNA	5017324	5006087	Part of Dryer Bracket	5015848	Shown
802537			5015845 beta						Opposite

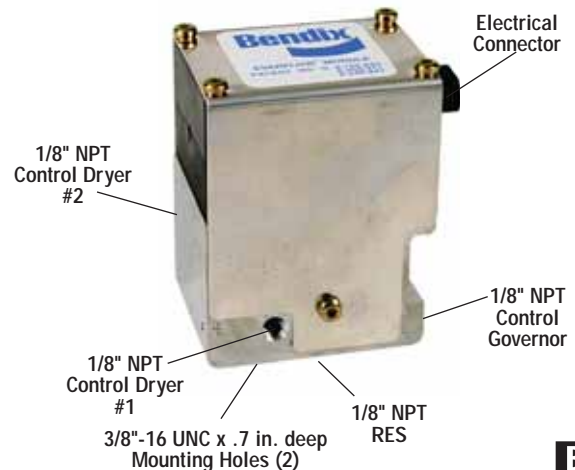
For model specific service kits see the individual air dryer page.



## EverFlow™ Air Dryer Module

Retrofit Kit* Service New Pc. No.	Service New Pc. No.	Voltage
800684	800685	12 V
800723	800722	24 V

\*Includes EverFlow™ module & hardware – does not include air dryers.



## FD-1™, FD-L™ & TorqueMaster® FD-3™ Fan Clutch

V.M.R.S. 42-003-001

- Available Remanufactured Exchange

### Fan Clutch Maintenance Kits

Service New Pc. No.	Description	Type
289319N	Minor Kit	FD-1™ Fan Clutch
288907	Reline Kit	FD-1™ Fan Clutch
104937N	Minor Kit	FD-3™ Fan Clutch
104938	Reline Kit	FD-3™ Fan Clutch
104939	Rebuild Kit - Clockwise Rotation	FD-3™ Fan Clutch (Standard)
104940	Rebuild Kit - Counterclockwise Rotation	FD-3™ Fan Clutch (Standard)
104941	Rebuild Kit - Clockwise Rotation	FD-3™ Fan Clutch (2.56" Pilot)
104942	Rebuild Kit - Counterclockwise Rotation	FD-3™ Fan Clutch (2.56" Pilot)
106733	Minor Kit	FD-L™ Fan Clutch
106732	Reline Kit	FD-L™ Fan Clutch
106731	Rebuild Kit	FD-L™ Fan Clutch



FD-1™ Fan Clutch & TorqueMaster® FD-3™ Fan Clutch

Caution: Fan Bolts must not enter fan plate more than 1/2" or less than 3/8". Fan Bolts that enter the fan plate more than 5/8" will cause immediate damage to the TorqueMaster® FD-3™ Fan Clutch, FD-L™ Fan Clutch and eventual damage to the FD-1™ Fan Clutch.



FD-L™ Fan Clutch

### Fan Clutch Controls

#### Index Controls

Service New Pc. No.	Description
109750	K-7 Control Kit (Vehicles with Air Conditioning)
109751	K-8 Control Kit (Vehicles without Air Conditioning)



## Bendix® EC-60™ Advanced (Cab)

- All shown are 12 Volt, 4 Sensor, 4 Modulator systems with ATC, PLC and communicate over J1587 and J1939

OE Pc. No.	Service New Pc. No.	Superseding Service Pc. No.	Customers Include
5012231	801905* 802996*	802999* 803082*	-
5015578	802054*	803147*	International
5016144	802135*	803146*	International
5018531	802780*	-	Volvo/Mack
5019416	802999* 803082*	-	-
5020080	803146*	-	International
5020081	803147*	-	International
K021136	K021416*	-	PACCAR



\*The vehicle VIN number must be specified when ordering Bendix® EC-60™ Advanced ECUs, since the ECU is individually configured for the vehicle.

## Bendix® EC-60™ Standard (Cab)

- All shown are 12 Volt, 4 Sensor, 4 Modulator systems that communicate over J1587 and J1939

OEM Pc. No.	Service New Pc. No.	Superseding Service Pc. No.	Customers Include	PLC
5012225	801876	-	-	-
5012226	801877	-	-	Yes
5016138	802129	-	-	-
5016139	802130	-	International	Yes
5016145	802136	K020833	-	Yes
5016357	802325	K020834	International	-
5018529	802776	-	Volvo/Mack	Yes
5018533	802777	-	Mack	-
K020367	K020833	-	International	Yes
K020368	K020834	-	International	Yes
K021134	K021414	-	PACCAR	Yes



## Bendix® EC-60™ Standard (Frame)

- All shown are 12 Volt, 4 Sensor, 4 Modulator systems that communicate over J1587

OE Pc. No.	Service Pc. No.	Superseding Service Pc. No.	Customers Include	PLC
5012227	801878	-	-	-
5012228	801879	K020841	-	Yes
5015954	802830	K024623	GM	Yes
5015991	802831	-	GM	-
5016140	802131	-	International	-
5016141	802132	K020832	International	Yes
5018128	802832	K024624	GM	Yes
5018131	802833	-	GM	-
5020281	K020841	-	-	Yes
K020369	K020832	-	International	Yes
K022673	K024624	-	GM	Yes
K022672	K024623	-	GM	Yes



## Bendix® EC-60™ Premium (Cab)

• All shown have traction control, and communicate over J1587, J1939 and PLC (except 24 volt ECUs\*)

OE Pc. No.	Service Pc. No.	Superseding Service Pc. No.	Input Voltage	Sensors	Modulators	Customers Include
5012229	801880	803167	12	4	4	-
5013147	801880	803167		6	6	-
5013148	801880	803167		6	4	-
5013569	801888	K019230		6	6	-
5016142	802133	803168		4	4	International
5016356	802324	K022568		4	4	International
5016852	802382	K019227		4	4	-
5018342	802746	K021626		4	4	International
5018530	K019671	-		4	4	Volvo/Mack
5018532	802779	K019669		6	6	Volvo
5018581	802781	K019621		6	4	Volvo
5020000	803167	-		4	4	-
5020001	803168	-		4	4	International
5020002	K019227	-		4	4	-
5020003	803167	-		6	6	-
5020004	803167	-		6	6	-
5020006	K019230	-		6	6	-
K019663	K019669	-		6	6	International
K021135	K021412	-		4	4	PACCAR
K021352	K021626	-		4	4	International
K021619	K025062	-		4	4	International
K022285	K022568	-		4	4	International
K023686	K023750	-		4	4	-



\*Cab EC-60™ Premium using 24 volt (No PLC)

5012251	801882	-	24	4	4	-
K021308	K021413	-		4	4	PACCAR

## Bendix® EC-60™ Premium (Frame)

• All shown have traction control, and communicate over J1587, J1939 and PLC (except 24 volt ECUs\*)

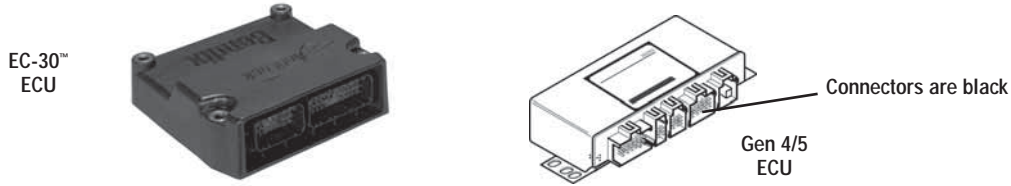


OE Pc. No.	Service Pc. No.	Superseding Service Pc. No. or Family	Sensors	Input Voltage	Customers Include
5012230	801881	K019237	4	12	-
5015955	802834	K024619	4		GM
5015990	802835	K024620	6		GM
5016143	802134	K020823	4		International
5018129	802836	K024621	4		GM
5018130	802837	K024622	6		GM
5018343	802747	K021622	4		International
5020008	K019237	-	4		-
K020822	K020823	-	4		International
K021353	K021622	-	4		International
K022674	K024619	-	4		GM
K022675	K024620	-	6		GM
K022676	K024621	-	4		GM
K022677	K024622	-	6		GM

\*Frame EC-60™ Premium using 24 volt (No PLC)

5020172	K023749	-	6	24	-
---------	---------	---	---	----	---

## EC-30™ Electronic Controller



Service New Pc. No.	Sensors/ Modulators	Traction Control	Engine Communication	J1939 Dash Support	Customers Include (Comments)
801167	4S/4M	Yes	J1939	Yes	International
801173	6S/4M	Yes		-	International
801177	4S/4M	Yes		Yes	International
801180	6S/4M	Yes		-	Freightliner / Mack
801199	6S/4M	Yes		Yes	GMC
801202	6S/4M	Yes		Yes	GMC
801227	6S/4M	Yes		-	Volvo
801228	6S/4M	Yes		-	-
801239	6S/4M	Yes		-	Mack
801233	6S/4M	Yes	J1939, J1922	-	Volvo (EC-16™ / EC-17™ Service Replacement)
801234	6S/4M	Yes		-	GMC (86 Tooth Tone Ring - EC-17™ Service Replacement)
801235	6S/4M	Yes		-	GMC (100 Tooth Tone Ring - EC-17™ Service Replacement)
801236	6S/4M	Yes		-	(EC-16™ / EC-17™ Service Replacement)
801238	4S/4M	-	J1939	-	-
801335	6S/4M	Yes		-	-
801205	4S/4M	-		-	GMC (100 Tooth Tone Ring)
801206	4S/4M	-		-	GMC (86 Tooth Tone Ring)

## Gen 4/5 Electronic Controller

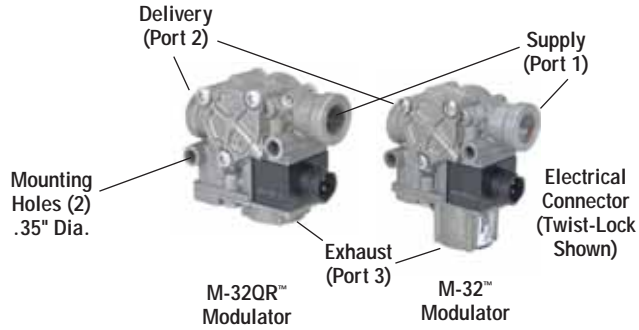
OE Pc. No.	Service New Pc. No.	Sensors/ Modulators	Traction Control	Engine Communication	Mounting	Comments
300130	801764	6S/6M	Yes	J1939	Frame	24 Volt
300199	801765	4S/4M	Yes	J1922		-
300208	801759	4S/4M	Yes	J1939		-
300345, 300367, 300368, 5012926	801758	6S/6M	Yes			Configured as 6S/4M ABS <sup>1</sup>
5012608	801762	4S/4M	-	-		
300222, 300342	801752	4S/4M	-	No	Cab	-
300344, 5006806	801753	6S/6M	Yes	J1939		Configured as 6S/4M ABS <sup>1</sup>
5012528	801754	6S/6M	Yes			Use for a 6 x 2 vehicle with a tag axle

<sup>1</sup> ECU reconfiguration required for 6S/6M and/or Traction Control. The following tools can be used for reconfiguration: Bendix® ACom™ Diagnostic Software (free download available from [www.bendix.com](http://www.bendix.com)), or Nexiq Pro Link application card (Nexiq p/n 804001).

NOTE: Gen 4/5 ECUs were formerly marketed under the Eaton® brand name

## M-32™ and M-32QR™ AntiLock Modulators

V.M.R.S. 13-011-071



OE Pc. No.	Service New Pc. No.	Description	Supply & Delivery Port	Supply Voltage	Terminal / Connector Type	Customers Include
300387	801665	M-32™ Modulator	NPT	12	Twist-Lock	Volvo, Mack, Peterbilt, Kenworth
5011281	801482	M-32QR™ Modulator	NPT	12		Bluebird
5013223	801736	M-32™ Modulator (w/snorkel)	NPT	24	Metric thread	Oshkosh
5013224	801737	M-32™ Modulator (w/snorkel)	NPT	24		
5014704	801479	M-32QR™ Modulator	PTC	12	Packard	International
5014705	801481	M-32QR™ Modulator	NPT	12		
5014706	801585	M-32™ Modulator	NPT	12		

PTC = Push-To-Connect NPT = Pipe Thread



## M-30™ to M-32™ and M-32QR™ AntiLock Modulator Changeover

- M-30™ antiLock modulators are no longer available. M-32™ and M-32QR™ modulators are available for service.
- All shown use Packard Connectors and 12 volt supply voltage.

M-30™ Pc. No.	M-32™ Service New Pc. No.	Description	Supply & Delivery Port	Customers Include
5005894	801479	M-32QR™ Modulator	PTC	International
5005895	801481		NPT	
5006659	801481		NPT	Ford
5008951	801481		NPT	
5009085	801456	M-32™ Modulator	PTC	GM
5009086	801456		PTC	
5009304	801481	NPT	NPT & 5/8 PTC	
5009305	801583	M-32QR™ Modulator		
5009306	801583			
5009308	801457			
5009309	801457			

## AT-3™, ATR-3™ Traction Relay Valves



AT-3™ Traction Relay Valve

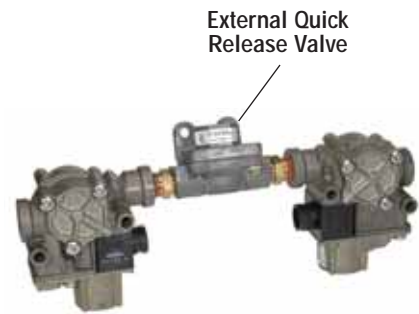


ATR-3™ Traction Relay Valve

OE Pc. No.	Service New Pc. No.	Superseding Piece No.	Valve Description	Crack Pressure PSI	Connector Type	Voltage	Service Parts (Bracket, fittings, etc.)	Customers Include
300354	801931	-	AT-3™ Remote Traction Relay	-	Twist-Lock	12	-	-
300128	801936	-		-	Metric thread	24	-	Oshkosh
300317	801930	803119	ATR-3™ Traction Relay Valve	5.5	Twist-Lock	12	n/a	-
5014494	801932	803121		4.0	Twist-Lock	12	n/a	-
5014495	801933	-		5.5	Twist-Lock	12	294649	-
5014497	801934	-		4.0	Twist-Lock	12	5016944	Volvo
5015755	802350	-		5.5	Twist-Lock	12	102846	Kenworth

## Front Axle Modules (FAMs)

OE Pc. No.	Service New Pc. No.	Description	Quick Release	Crack Pressure PSI
5013417	801651	M-32™ FAM	External	5-8
5013418	801652		External	1-4
5013419	801653		External	0
5013423	801657		External	0
5013424	801658		External	1-4
5015586	802823	M32-QR™ FAM	Internal	-
5015587	802824		Internal	-
5015631	802825		Internal	-
5015794	802826		Internal	-
5018221	802827		Internal	-



Front Axle Module Quick Release Version Shown

## Rear Axle Modules (RAMs)

OE Pc. No.	Service New Pc. No.	Description	Relay Valve	Crack Pressure PSI	Connector Type	Customer
5018788	803091	M-32™ RAM	R-12®	4.0	Twist-Lock	Volvo
5018789	803092	M-32™ RAM	R-12®	5.5	Twist-Lock	Volvo
5011740	801647	M-32™ RAM w/Integral Traction Valve	ATR-3™	5.5	Twist-Lock	Generic
5012684	801650	M-32™ RAM w/Integral Traction Valve	ATR-3™	4.0	Twist-Lock	Generic



Rear Axle Module

## TABS-6 Trailer ABS Module

- All TABS-6 Trailer ABS Modules communicate over PLC and have a 4 port relay



TABS-6  
Trailer ABS

OE Pc. No.	Service New Pc. No.	Description	Default Configuration	Auto Configurable To:	J1587 Available
5014015	801855	TABS-6 Standard	2S/1M	None	No
5014016	801856	TABS-6 Premium	2S/1M - Dolly	2S/2M - Axle; 4S/2M - Side; 4S/3M - Side/Axle	Yes
5014112	801990	TABS-6 Standard	2S/1M - Dolly	None	No
5014113	801991	TABS-6 Premium	2S/1M	2S/2M - Axle; 4S/2M - Axle	Yes

## BR9235™ ABS Modulator/Relay Valve

BR9235™  
ABS Modulator/  
Relay Valve

OE Pc. No.	Service New Pc. No.	Description	Port Designations	
			Supply 1	Delivery 1
5012023	801993	Modulator Relay Valve	3/4" NPT	4 x 3/8" NPT
5012024	801994	Modulator Relay Valve with Bracket	3/4" NPT	4 x 3/8" NPT



## TABS-6 Harnesses and Cables

OE Pc. No.	Service New Pc. No.	Description	Length
300258	802025	WS-24™ Wheel Speed Sensor Extension	80"
5015531	802052		60"
5019464	802946		260"
5015014	801996	ECU Pigtail - Standard	Power - 60"
5015016	801998	2S/1M	Power - 234"
5015019	802001	ECU Pigtail - Premium	Power - 60", Diagnostic - 9"
5015021	802003	2S/1M	Power - 234", Diagnostic - 9"
5015023	802005	ECU Pigtail - Premium	Power - 60", Modulator - 36", Diagnostic - 9"
5015025	802007	2S/2M	Power - 234", Modulator - 36", Diagnostic - 9"
5015027	802009	ECU Pigtail - Premium	Power - 60", Modulator - 36", Sensors - 60", Diagnostic - 9"
5015029	802011	4S/2M	Power - 234", Modulator - 36", Sensors - 60", Diagnostic - 9"
5013352	802016	Trailer Power Harness	120" 5-pin Packard, Non-Terminated Warning Lamp - 10"
5013353	802017		780" 5-pin Packard, Non-Terminated Warning Lamp - 10"
5013343	802018	BR-9235™ Remote Modulator Harness	36"
5019463	802947		280"
5007833	800790	J1587 / J1708 Remote	120"
5009193	801038	Diagnostic Harness	72"



## MC-30 Trailer ABS Modules

- The MC-30 Trailer ABS Modules are available for service.
- The service assemblies contain J15787 and PLC (power line carrier).

OE Pc. No.	Service New Pc. No.	Description	Mounting	Default Configuration	Auto Configurable To:
5007642	800737	MC-30 Trailer ABS Module	Tank	4S/2M - Side	2S/2M - Axle; 2S/1M
5007644	800737		Tank		2S/2M - Axle; 2S/1M
5008502	800737		Tank		2S/2M - Axle; 2S/1M
5008264	800820		Bracket		2S/2M - Axle; 2S/1M
5008266	800820		Bracket		2S/2M - Axle; 2S/1M
5010565	801268	EC-30T Trailer ABS ECU	-		2S/2M - Axle; 2S/1M
5010566	801268		-		2S/2M - Axle; 2S/1M



MC-30 Trailer ABS

## A-18 Trailer ABS Modules

- The A-18 Trailer ABS Modules are no longer available. TABS-6 kits are available for service.

A-18 Pc. No. (Reference Only)	Description	Bendix® TABS-6 Replacement Kits					
		With Short- 60" Pigtail			With Long - 234" Pigtail		
		2S/1M	2S/2M - Side	4S/2M - Side	2S/1M	2S/2M - Side	4S/2M - Side
300213	A-18B ECU	K019708	K019709	K019710	K019711	K019712	K019713
300266	A-18S Assembly		-	-		-	-
300267	A-18S Assembly		-	-		-	-
300268	A-18S Assembly		-	-		-	-
300269	A-18S Assembly		-	-		-	-
300340	A-18B Assembly		-	-		-	-
300341	A-18S Assembly		K019709	K019710		K019712	K019713
300358	A-18B Assembly		-	-		-	-
300359	A-18B Assembly		-	-		-	-
300360	A-18B Assembly		-	-		-	-
300362	A-18S Assembly		K019709	K019710		K019712	K019713
300364	A-18S Assembly		K019709	K019710		K019712	K019713



A-18 Trailer ABS



TABS-6 Trailer ABS

## MC-12 Trailer ABS Modules

- The MC-12 Trailer ABS Modules are no longer available. TABS-6 kits are available for service.
- Note: The MC-12 was only available in 2S/1M configurations.

Description	Bendix® TABS-6 Replacement Kits				
	With 60" 5-pin ABS Pigtail	With 234" 5-pin ABS Pigtail	With 18" 4-pin ABS Pigtail	With 96" 4-pin ABS Pigtail	With 180" 3-pin ABS Pigtail
MC-12 ABS Assembly for Trailers	802893	802902	802900	802898	802896
MCE-12 ABS Assembly for Dollies	802894	802901	802899	802897	802895



MC-12 Trailer ABS

Bendix® WS-24™ Wheel Speed Sensors



0° (Straight)  
Bendix® WS-24™ Wheel  
Speed Sensors

90°  
Bendix® WS-24™  
Wheel Speed  
Sensors



Clamping Sleeve  
Pc. No. 801534  
Included with all  
WS-24™ Sensors

New universal clamping sleeves have a  
Dynamark symbol stamped as shown.

NOTE: Early WS-20™ clamping sleeves have  
"BW" in a diamond symbol stamped and  
cannot be used for WS-24™ sensors.

OE Pc. No.	Service New Pc. No.	Body Style	Harness Length	Connector Type	Customers Include
300083	801544	90 Degree	12"	DIN	Trailer OEMs. Low Temperature cable
300084	801538	90 Degree	75"		Peterbilt, Kenworth
300087	801542	Straight	78"		Kenworth, Mack
300150	801541	90 Degree	63"		Volvo, Blue Bird
300151	801543	Straight	66"		Peterbilt, Kenworth, Volvo
5012266	801549	90 Degree	60"	DT04	International
5012267	801550	90 Degree	75"		
5012268	801551	90 Degree	40"		
5012269	801552	Straight	75"		
5012270	801553	Straight	40"		

Connectors Available	
 Delphi Metripack Series Connector CP 150.2	 Delphi Metripack Series Connector GT 150
 A P (280M)	 B P (280F)
Delphi Metripack 280 Series Connectors	
 Deutsch DTM06-2S Connector NOTE: Deutsch model number "DTM06-2S" molded into connector body	 Deutsch DT04-2P Connector NOTE: Deutsch model number "DT04-2P" molded into connector body
 Standard 2-Pin DIN Barrel Connector	 Wire Retainer Pc. No. 300122N

WS-20™ Wheel Speed Sensor Replacements

• WS-20™ wheel speed sensors are no longer available

WS-20™ Pc. No.	WS-24™ Service New Pc. No.	Body Style	Harness Length	Connector Type
065517	801566	90 degree	75"	Packard (150.2)
065518	801566			
0550657	801566		60"	Deutsch DTM
5000889	801546			
5005707	801546	Straight	63"	Packard (150.2)
5006663	801567			
5006664	801567			

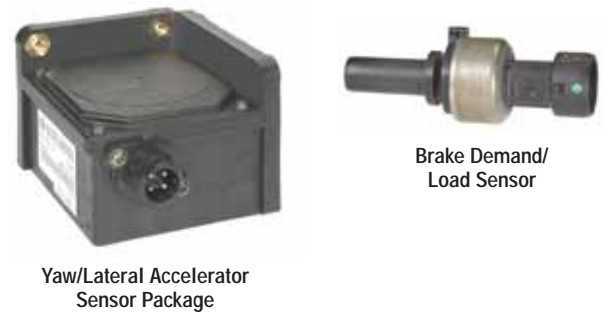
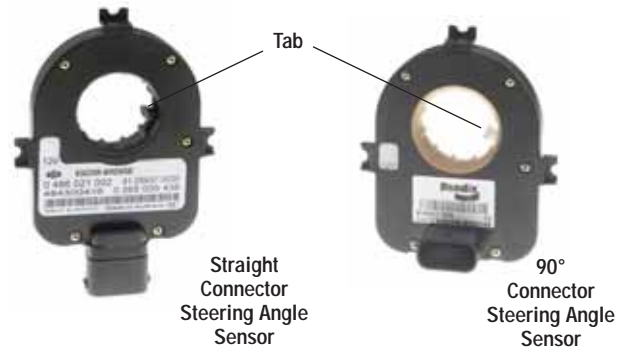
Previous Bendix Wheel Speed  
Sensors  
The WS-24™ sensor fit and function  
is compatible with all previous Bendix  
wheel speed sensors  
(when used with correct clamping  
sleeve - see above).

## Bendix® ESP® Sensors

OE Pc. No.	Service New Pc. No.	Type	Description	Connector Type
5018418	K022679	SAS-60	Steer Angle Sensors	Straight
5013702	K022678			Right angle

5013703	802126	YAS-60	YAW Rate Sensor	–
---------	--------	--------	-----------------	---

5005758	5008677	PS-60	Pressure Sensor	–
---------	---------	-------	-----------------	---



## ABS Diagnostic Tools

Service New Pc. No.	Description
801869	RDU - Remote Diagnostic Unit
801872	RDU adapter - 6 pin to 9 pin adapter cable
802229	RDU adapter - 9 pin to 9 pin adapter cable
802435	RDU plus 6 pin to 9 pin adapter cable
802436	RDU plus 9 pin to 9 pin adapter cable

802162	TRDU - Trailer Remote Diagnostic Unit
802165	TRDU adapter - 7 pin connector for TRDU
5017434	TRDU plus 7 pin connector

BW2329	ACom™ PC Diagnostic Software (free download available from <a href="http://www.bendix.com">www.bendix.com</a> , or order a CD from the Literature Center on <a href="http://www.bendix.com">www.bendix.com</a> )
--------	--

K022055	DataLink™ ABS Monitoring Unit
---------	-------------------------------



DataLink™ Monitor  
K022055



Bendix® ACom™ Diagnostic Software  
BW2329 (visit [www.bendix.com](http://www.bendix.com))

## On-Line Bendix Literature Center At Your Service

Bendix announces exciting improvements to our on-line literature center, focused on making it easier for you to order Bendix literature. Our streamlined on-line ordering process is fast and easy to use, and puts the most up-to-date Bendix product and technical literature right at your fingertips 24/7.

**All literature will be ordered directly from the  
on-line Bendix Literature Center . . . one complete  
source for all of your literature needs.**

Sign-up takes just a few short minutes, offering you access to the documents you need to help sell or service Bendix products. Access our 24/7, on-line literature center rather than calling in orders to ensure accuracy, timeliness, and convenience.

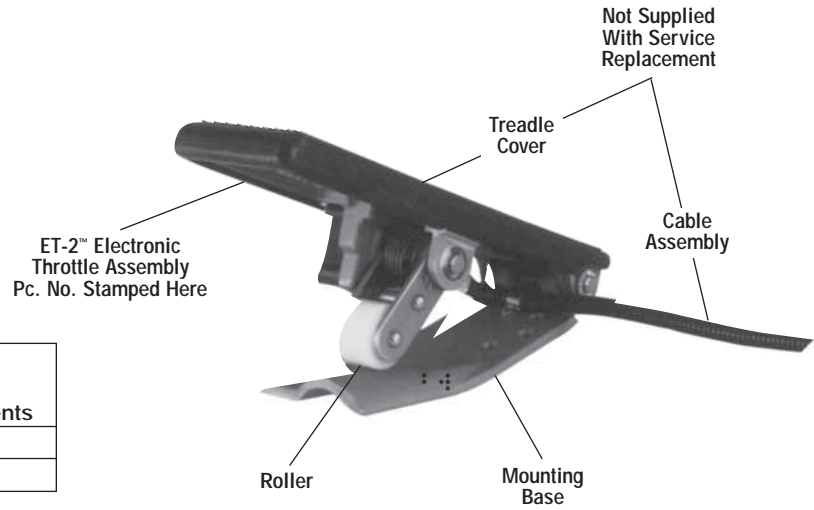
To register or to access your existing account, visit [www.bendix.com](http://www.bendix.com) and click on the "***Visit the Bendix Literature Center***" icon on the homepage, or use the link on [www.foundationbrakes.com](http://www.foundationbrakes.com).

## ET-2™ Electronic Throttle

- Pivot Pin Kit 550392
- Lever Shaft Spring Kit 550393

V.M.R.S. No. 44-007-047

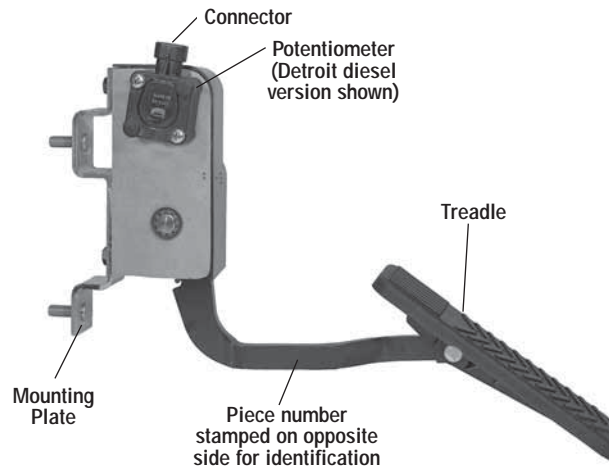
Service New Pc. No.	O.E. Pc. No.	Major Rebuild Kit	Comments
065151	550200	550543	
065290	550305	550543	Ford



## ET-S2™ Electronic Treadle

V.M.R.S. No. 44-007-047

Service New Piece No.	Treadle & Spring Kit	Potentiometer Replacement Kit
800606	5006085	5002356 (Cummins)
800607	5006085	5006086 (DDC)
800608	5006085	5010163 (Caterpillar)



## XVision® Night Vision System

XVision® System Retrofit Kit, Service Piece No. 5010086 consists of the following:

Description	Service New Piece No.
Camera Bracket Kit	5010078
CB Mounting Kit	5010081
Friction Hinge Mounting Kit	5010082
Fixed IR Harness Kit	5010083
Aiming Adjuster Tool	–
Fixed Camera/Head-Up Display Combination	–

### Camera Service Kits Fixed IR Camera Kits

Description	Service New Piece No.
Camera Bracket Kit	5010078
Mounting Bracket Kit	5010187
Aiming Adjuster Replacement Kit	801639
Heater Replacement Kit	5010193
Window Replacement Kit	5010192
IR Camera	801150
IR Camera Kit	801489
IR Camera Cover Kit	801469

### Raytheon 4000B ProtectIR Pan & Tilt Camera Kits

Description	Service New Piece No.
Raytheon 4000B ProtectIR Camera Kit	801508
Side/Rear Vision Camera & Harness Kit	801495



### Vision System Kit Configurations

Service New Piece No.	Camera(s)	Display(s)
5010086N	Fixed IR	HUD
801498	Raytheon, Side/Rear	Flat Panel
801499	Raytheon	Flat Panel
801500	Fixed IR	Flat Panel
801501	Fixed IR	Flat Panel, HUD
801502	Side/Rear	Flat Panel
801503	Fixed IR, Side/Rear	Flat Panel
801504	Raytheon	Flat Panel, HUD
801505	Raytheon, Side/Rear	Flat Panel, HUD

### Head-Up Display Service Kits

Description	Service New Piece No.
Video Display	801154
HUD with CB Mounting Kit	801490
HUD Overhead Mounting Kit	801497
Fold Mirror Replacement Kit	5010189
Combiner Mirror Replacement Kit	5010190
CB Mounting Kit	5010081
Knob Kit	5010247
Friction Hinge Mounting Kit	5010082
Screw and Shim Kit	5010249
Magnet Kit	5010524

### Flat Panel Display Mounting Kits

Description	Service New Piece No.
Fixed Mounting Bracket Kit	801491
Fold Back Mounting Bracket Kit	801492
Fold Forward Mounting Bracket Kit	801493
Pivot Mounting Bracket Kit	801494

### Flat Panel Display Service Kit

Description	Service New Piece No.
6.8" Flat Panel Display Installation Kit	801486

From the company you trust for your heavy-duty foundation brake needs, comes Formula Blue™ brake parts, a complete line of light- and medium-duty hydraulic brake parts for import and domestic vehicles, class 1 – 6.



### Brake Pads and Shoes

- Proven stopping performance
- Long service life
- Superior friction attachment
- Resistance to noise and kind to rotors

Formula Blue™ medium-duty pads are available in both Heavy Duty grade – where maximum service life is essential – and Premium formulations, where quiet running is a must.



### Calipers

- Includes remanufactured and service new versions
- Fits the broadest range of medium- and light-duty commercial vehicles
- Available in semi-loaded and loaded applications – to do the complete job right, the first time
- Superior quality control minimizes service related issues



### Rotors & Drums

- Exact application fit and function
- Superior casting finish
- Smoother stops
- Reduced vibration
- Rust resistant finish



### Brake & Clutch Hydraulics

- Exact form, fit and function is the key to Formula Blue™ brake cylinders, master cylinders, and other key brake components, providing long, reliable service life



### Hardware

- Formula Blue™ brake hardware provides exact form, fit and function, ensuring quiet reliable operation

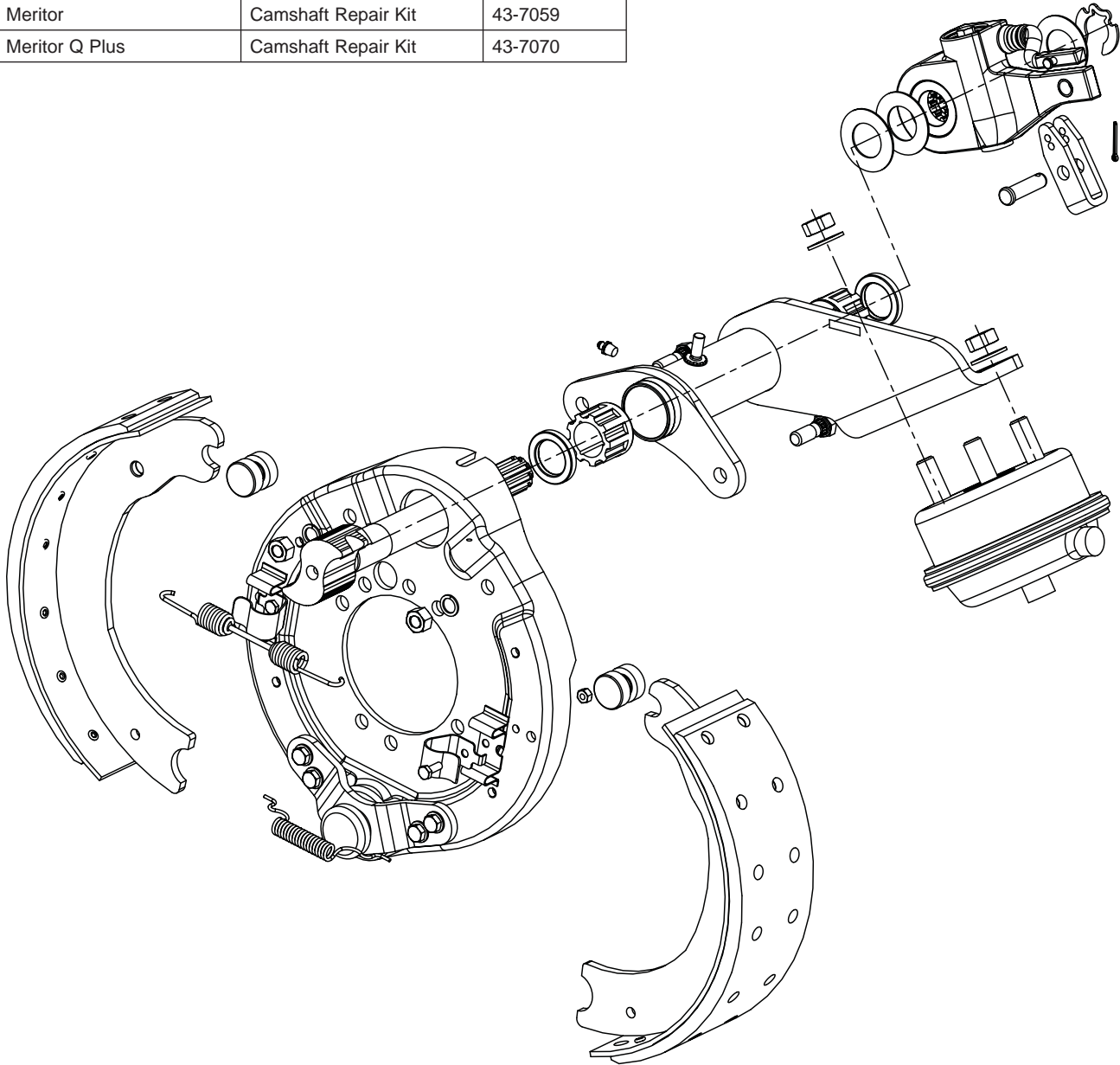
- Comprehensive Coverage • Outstanding Value**
- Prompt Delivery • Proven Sales & Service Support
    - Expert Technical Assistance
    - Full Electronic Cross Reference

Refer to Formula Blue Hydraulic Parts Catalog (BW7348) for a complete listing of hydraulic parts.



Steer Axle Drum Brake

Application	Description	Piece Number
15"x4" Bendix	Brake Hardware Kit	HK54
15"x4" Bendix Extended Service	Brake Hardware Kit	HK54
15"x4" Meritor	Brake Hardware Kit	HK55
15"x4" Meritor Q Plus	Brake Hardware Kit	HK66XLS
15"x4" Bendix	Camshaft Repair Kit	43-7060
15"x4" Bendix Extended Service	Camshaft Repair Kit	43-7060
15"x4" Meritor	Camshaft Repair Kit	43-7059
15"x4" Meritor Q Plus	Camshaft Repair Kit	43-7070

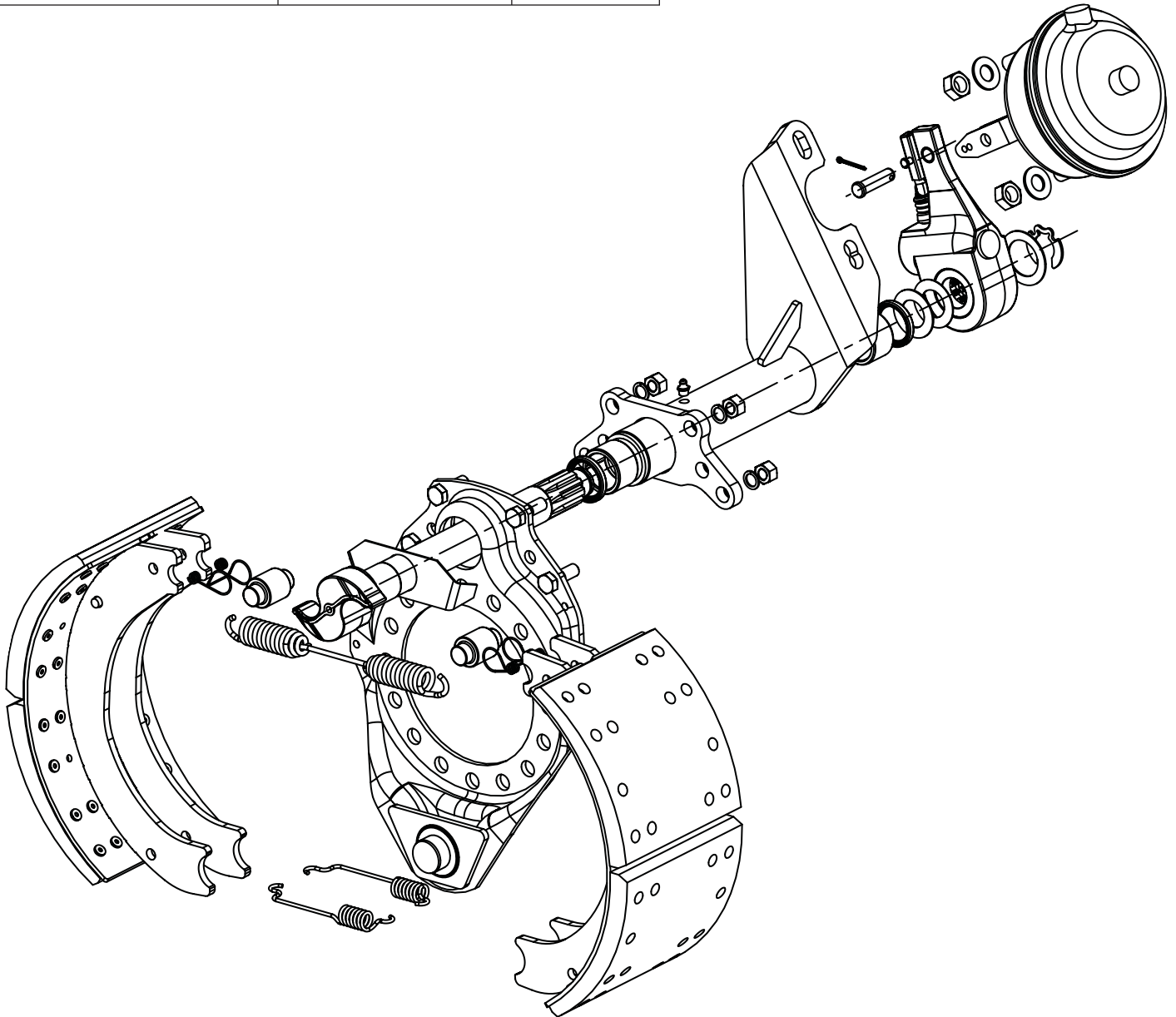


*This catalog contains the most common components and kits. Many other applications and variations are available in the Bendix® product offering. For a complete listing see Brake Shoe and Hardware catalog **BW7248**. For Bendix® OEM Certified Friction Material refer to **BW7224**.*



## Drive Axle Drum Brake

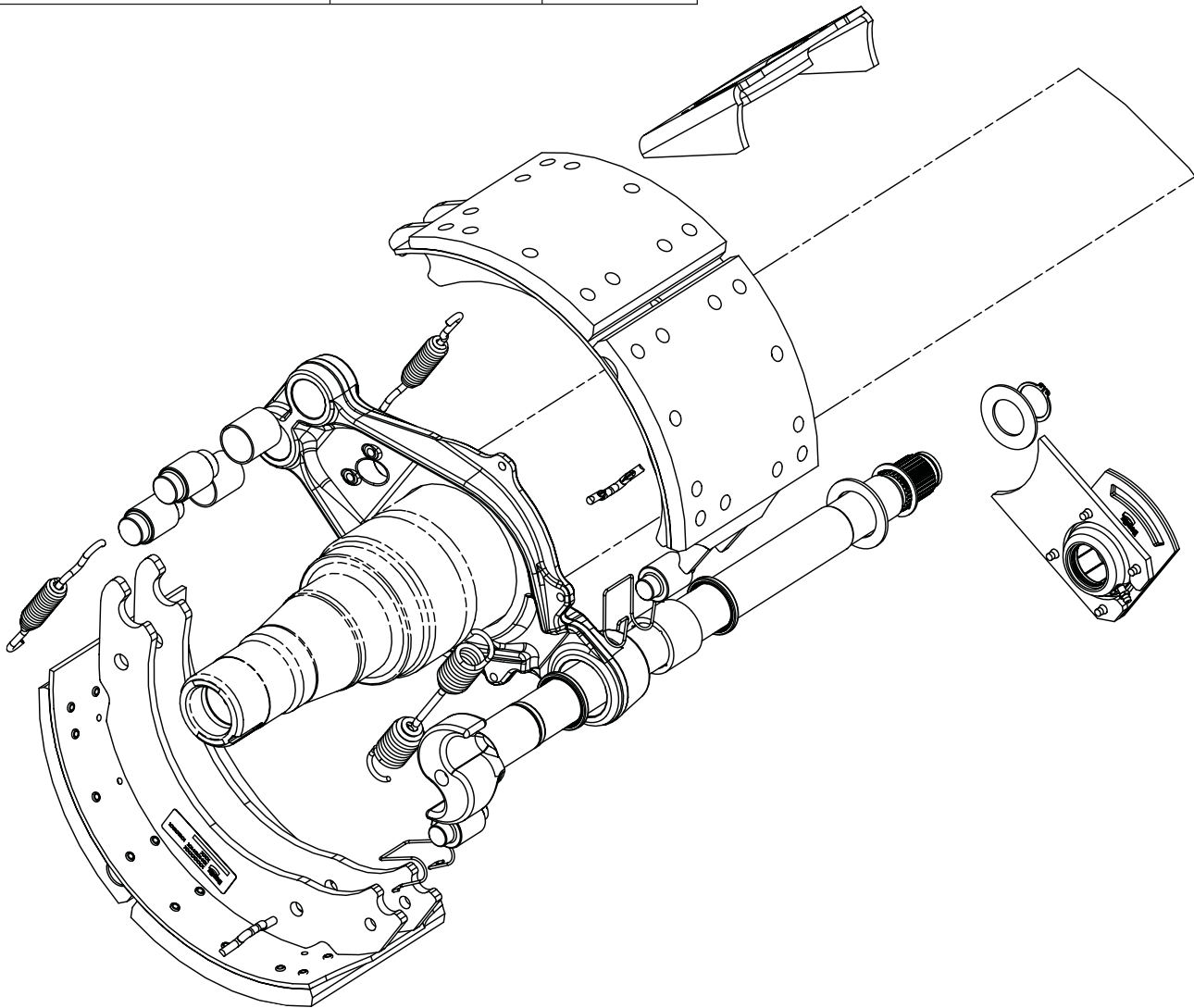
Application	Description	Piece Number
16" Dia. Bendix	Brake Hardware Kit	HK24XLSHM
16" Dia. Bendix Extended Service	Brake Hardware Kit	HK61XLS
16" Dia Meritor	Brake Hardware Kit	HK29XLS
16" Dia. Meritor Q Plus	Brake Hardware Kit	HK29XLS
16" Dia. Bendix Extended Service	Camshaft Repair Kit	43-7069
16" Dia. Meritor Q Plus	Camshaft Repair Kit	43-7048



*This catalog contains the most common components and kits. Many other applications and variations are available in the Bendix® product offering. For a complete listing see [Brake Shoe and Hardware catalog BW7248](#). For Bendix® OEM Certified Friction Material refer to [BW7224](#).*

## Trailer Axle Drum Brake

Application	Description	Piece Number
16.5" Dia. SAP Bendix	Brake Hardware Kit	HK24XLSHM
16.5" Dia. SAP Bendix Extended Service	Brake Hardware Kit	HK61XLS
16.5" Dia. DAP Bendix	Brake Hardware Kit	HK29XLS
16.5" Dia. DAP Bendix Extended Service	Brake Hardware Kit	HK29XLS
16.5" Dia. Meritor	Brake Hardware Kit	HK29XLS
16.5" Dia. Meritor Q Plus	Brake Hardware Kit	HK29XLS
16.5" Dia. ProPar	Brake Hardware Kit	HK34XLS
16.5" Dia. Bendix Extended Service	Camshaft Repair Kit	43-7118
16.5" Dia. Meritor Q Plus	Camshaft Repair Kit	43-7072
16.5" Dia. ProPar	Camshaft Repair Kit	43-7039



*This catalog contains the most common components and kits. Many other applications and variations are available in the Bendix® product offering.*

*For a complete listing see S-Cam Overhaul catalog **BW7249**.*

*For Bendix® OEM Certified Friction Material refer to **BW7224**.*



Here's the only number you need!  
[1-800-AIR-BRAKE \(1-800-247-2725\)](tel:1-800-AIR-BRAKE)

Get convenient, quick and easy access to the Bendix service and support areas you call most at [1-800-AIR-BRAKE \(1-800-247-2725\)](tel:1-800-AIR-BRAKE).

The name says it all.



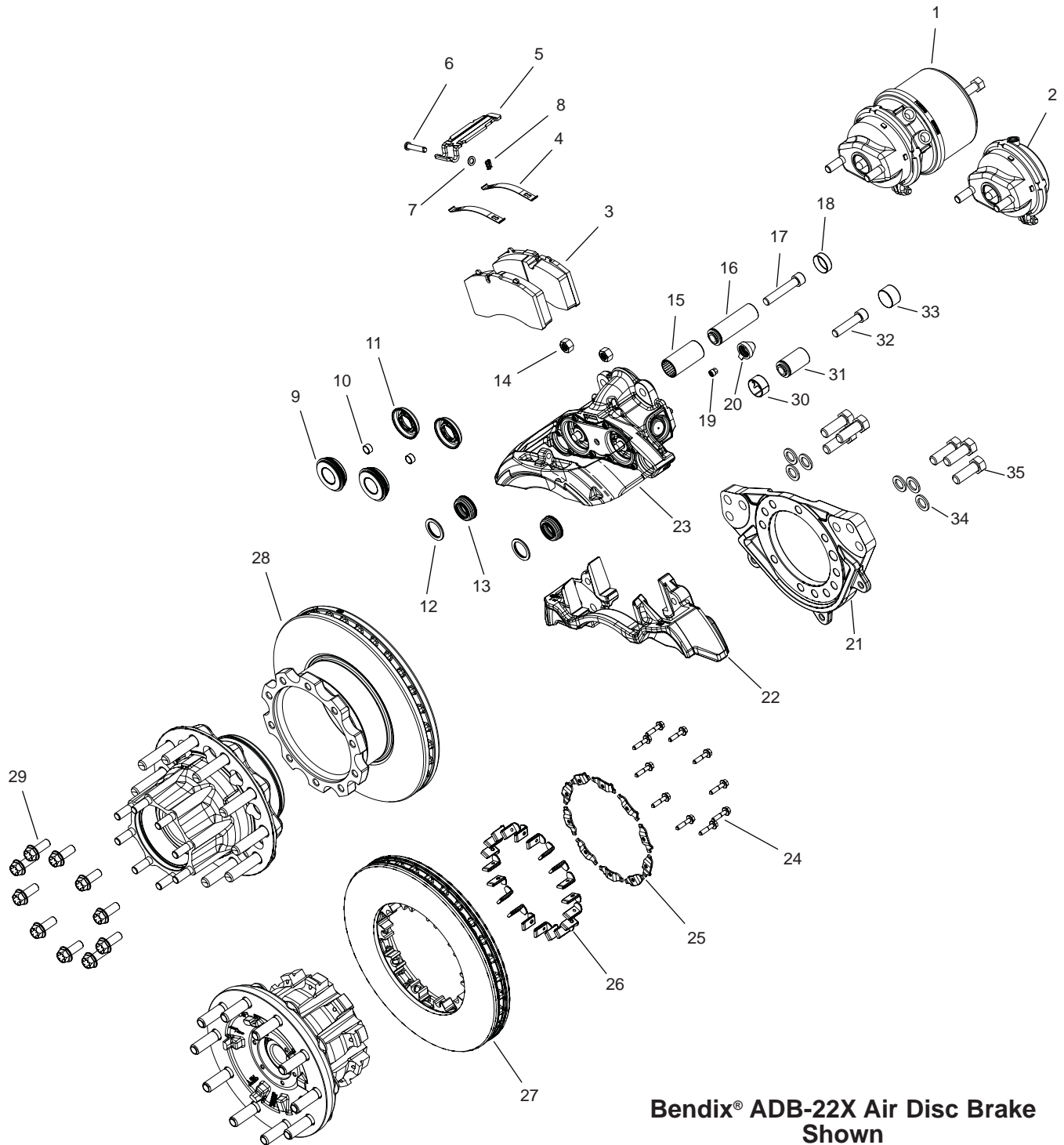
[1-800-AIR-BRAKE \(1-800-247-2725\)](tel:1-800-AIR-BRAKE)  
Bendix Commercial Vehicle Systems LLC  
[www.bendix.com](http://www.bendix.com)

[1-800-AIR-BRAKE](tel:1-800-AIR-BRAKE) puts you in touch with a host of Bendix experts, including our seasoned technical support professionals, our customer service team, and even order assistance. Get answers to your warranty questions, learn about our latest air brake training schools and so much more. It's all right at your fingertips. Call us today!

Call [1-800-AIR-BRAKE](tel:1-800-AIR-BRAKE) to reach Bendix Commercial Vehicle Systems LLC.

- Press 1 for Customer Service or to Place An Order
- 2 for Product Technical Assistance (Tech Team)
- 5 for Air Brake Training
- 6 for Ordering Product Literature
- 7 for [bendix.com](http://www.bendix.com) Support Specialist
- 8 Repeat menu
- 9 if you know the extension you're calling
- 0 for a Bendix Operator

Call [1-800-AIR-BRAKE \(1-800-247-2725\)](tel:1-800-AIR-BRAKE) or visit us online at [www.bendix.com](http://www.bendix.com)



**Bendix® ADB-22X Air Disc Brake  
Shown**

*This catalog contains the most common components and kits. Many other applications and variations are available in the Bendix® product offering. Visit the literature center on [www.foundationbrakes.com](http://www.foundationbrakes.com) for additional information.*

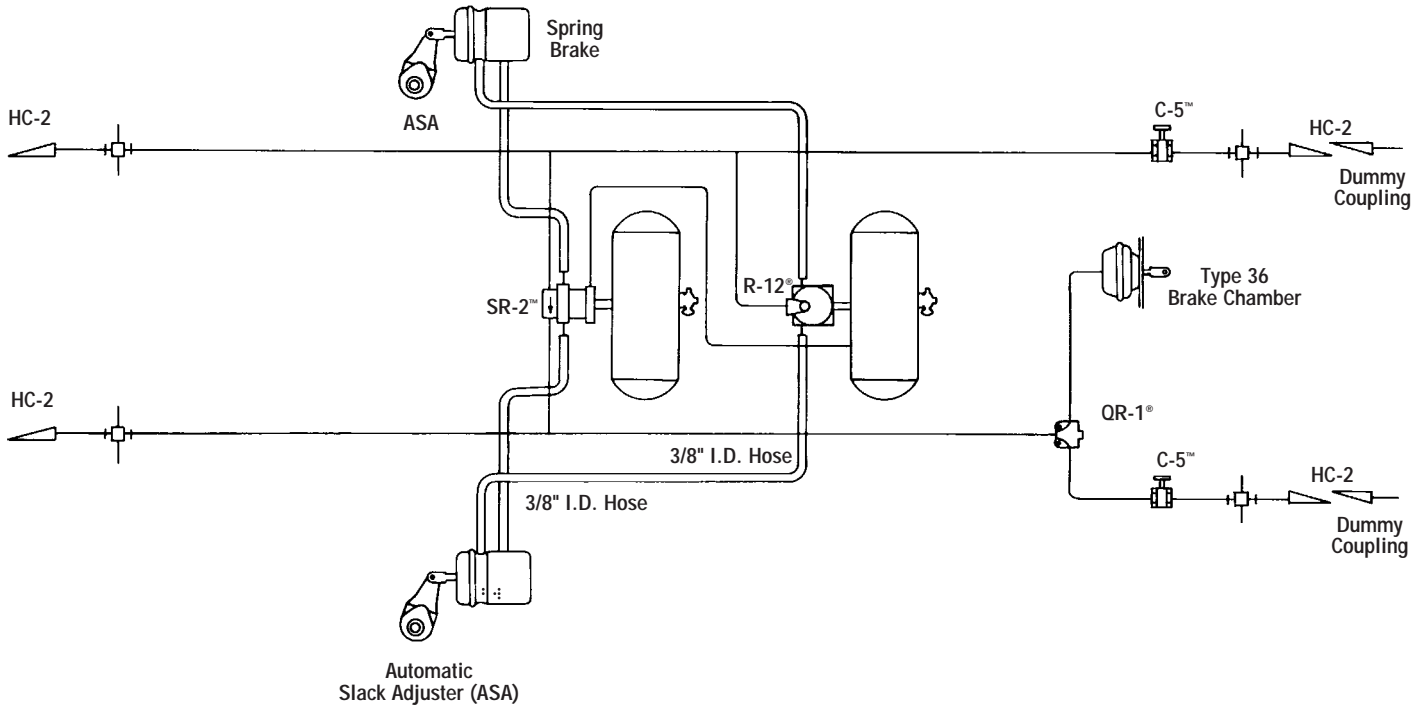
Kit	Piece Number	Application					Components Included in Kit
		ADB22X™	ADB225™	SB-7™	SN-7™	SK-7™	
Pad Kit (axle set)	802078	✓				✓	(3, 4, 5, 6, 7, 8, 19, 20)
	802593		✓				(3, 4, 5, 6, 7, 8, 19, 20)
	5013257			✓	✓		(3, 4, 5, 6, 7, 8, 19, 20)
Splint Kit (box of 25)	803151	✓	✓	✓	✓		(8)
Shear Adapter (box of 10)	802455	✓	✓		✓		(19)
Tappet/Boot Kit (wheel end kit)	802119	✓	✓		✓	✓	(9, 10, 11)
	K010604			✓			(9, 10, 11)
Adjuster Cover (non-wear sensing - box of 10)	802456	✓	✓				(20)
	K003902					✓	(20)
	K000945			✓	✓		
Guide pin, seal and boot kit (wheel end kit)	803114	✓					(12, 13, 15, 16, 17, 18, 30, 31, 32, 33)
	K000472		✓		✓		(12, 13, 15, 16, 17, 18, 30, 31, 32, 33) Rubber Bushing Retro. to Metallic Bushing
	K010766				✓		(12, 13, 15, 16, 17, 18, 30, 31, 32, 33) DU Bushing Kit
	K004100					✓	(12, 13, 15, 16, 17, 18, 30, 31, 32, 33)
	K001532			✓			(12, 13, 15, 16, 17, 18, 30, 31, 32, 33)
	K000375			✓			See Service Data Sheet SD-23-7550 (BW2000)
	II328090062			✓			for Guide Pin Identification
	II39769F0062			✓			
Guide Pin Grease	II14525	✓	✓	✓	✓		White (8 grams)
	K021964	✓	✓	✓	✓		White (500 grams)
	K021963			✓			Green (8 grams)
	K021975			✓			Green (500 grams)
Hubs	803012	✓					Splined Disc - Aluminum - FF Steer, LMS Bearing Package
	803134	✓					Splined Disc - Aluminum - FL Steer, LMS Bearing Package
	802850	✓					Splined Disc - Aluminum - R Drive, LMS Bearing Package
	803022	✓					Splined Disc - Aluminum - FF Steer, Standard Bearing Package
	803138	✓					Splined Disc - Aluminum - FL Steer, Standard Bearing Package
	802859	✓					Splined Disc - Aluminum - R Drive, Standard Bearing Package
	Various*	✓	✓	✓	✓	✓	U-shaped - Iron/Aluminum*, LMS/Standard Bearing Packages*
	Various*	✓	✓	✓	✓	✓	Flat - Iron/Aluminum*, LMS/Standard Bearing Packages*
Rotor	802081	✓	✓				138mm U-shaped (28, 29)
	802802	✓	✓				150mm U-shaped (28, 29)
	802083	✓					Severe Duty Splined Disc Kit (24, 25, 26, 27)
	802569	✓					Heavy Duty Splined Disc Kit (24, 25, 26, 27)
	II37415N			✓	✓		136mm Rotor U-shaped (28, 29)
	K021959			✓	✓		179.7mm Rotor U-shaped (28, 29)
	802669			✓	✓		114.7mm Rotor U-shaped (28, 29)
	K021958			✓	✓		131mm Rotor U-shaped (28, 29)
Shields	803129	✓					Trailer Axle Pad & Rotor Shield Kit
	803130	✓					Drive Axle Pad & Rotor Shield Kit
	802948	✓					Steer Axle Pad Shield Kit

\*See Hub supplier for these standard Hub products.

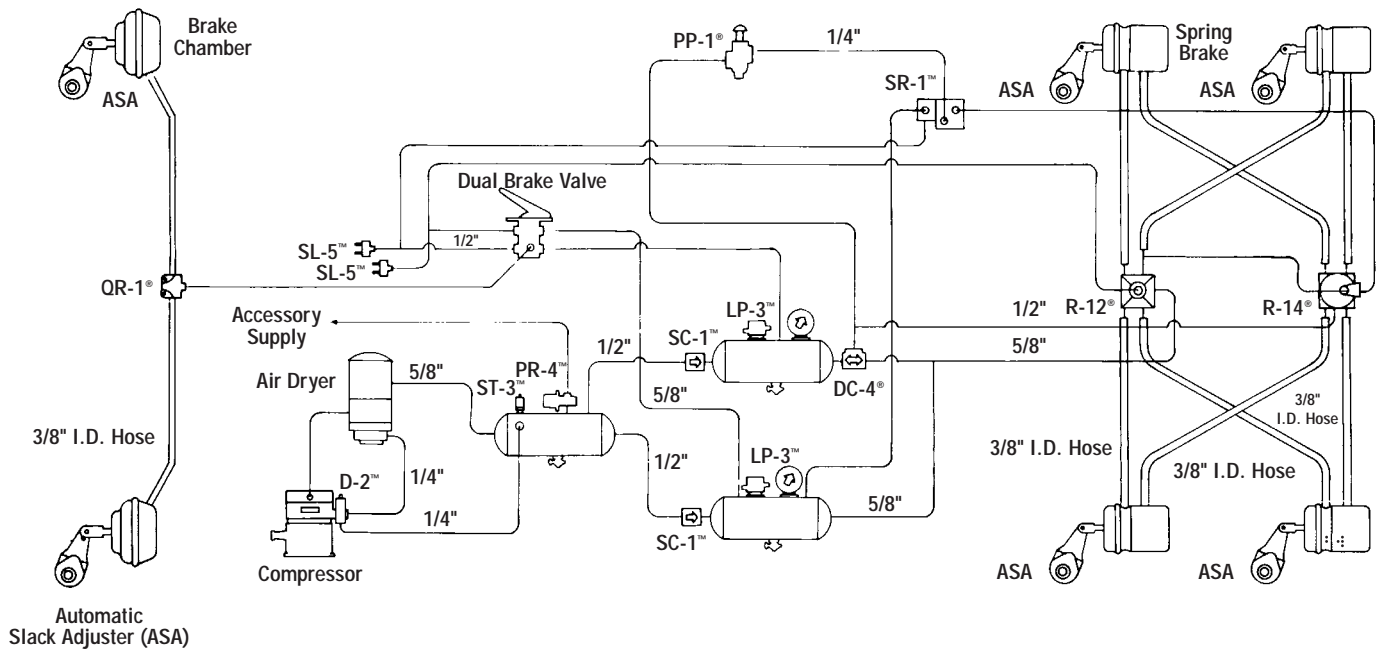
Form	Description	Format
<b>Audio Visual Programs</b>		
BW1673-CD	Four-part Video System Training with Workbooks	CD/Book
BW1673-DVD	Four-part Video System Training with Workbooks	DVD/Book
BW1678	Workbook for BW1673	Book
BW1957-CD	Four-part Video only	CD
BW1957-DVD	Four-part Video only	DVD
BW2441	Air Brake System Training Program	CD
<b>Catalogs</b>		
BW1114	Quick Reference	Catalog
BW1115	Quick Reference - Spanish	Catalog
BW1116	Quick Reference - French	Catalog
BW1419	FMSI Book	Catalog
BW7224	Brake Linings - OEM Stopping Power	Brochure
BW7248	Brake Shoe Hardware	Catalog
BW7249	S-Cam Overhaul Kits	Catalog
BW7250	S-Cam Quick Identification Guide	Catalog
BW9100	Air Parts Catalog Only	Catalog
BW9200	Hydraulic Parts Catalog Only	Catalog
<b>Service Information</b>		
BW9600	Service Data Manual Complete	Manual
BW2031	Service Data Manual Complete on CD	CD
BW5057	Air Brake Handbook	Handbook
<b>Troubleshooting Cards &amp; Wall Charts</b>		
<b>Systems</b>		
BW902	Bus System Wall Chart	Wall Chart
BW1555	Air Pressure Balance Test	Card
BW1396	Dual Systems Troubleshooting Card	Card
BW1705	Hydraulic Brake Booster System Card w/Troubleshooting	Card
<b>Cores</b>		
BW1299	Core Group	Wall Chart
BW1330	Mini Core Chart	Wall Chart

For complete product and literature information,  
 visit the Literature Center on our web site at  
<http://www.Bendix.com> or <http://www.foundationbrakes.com>

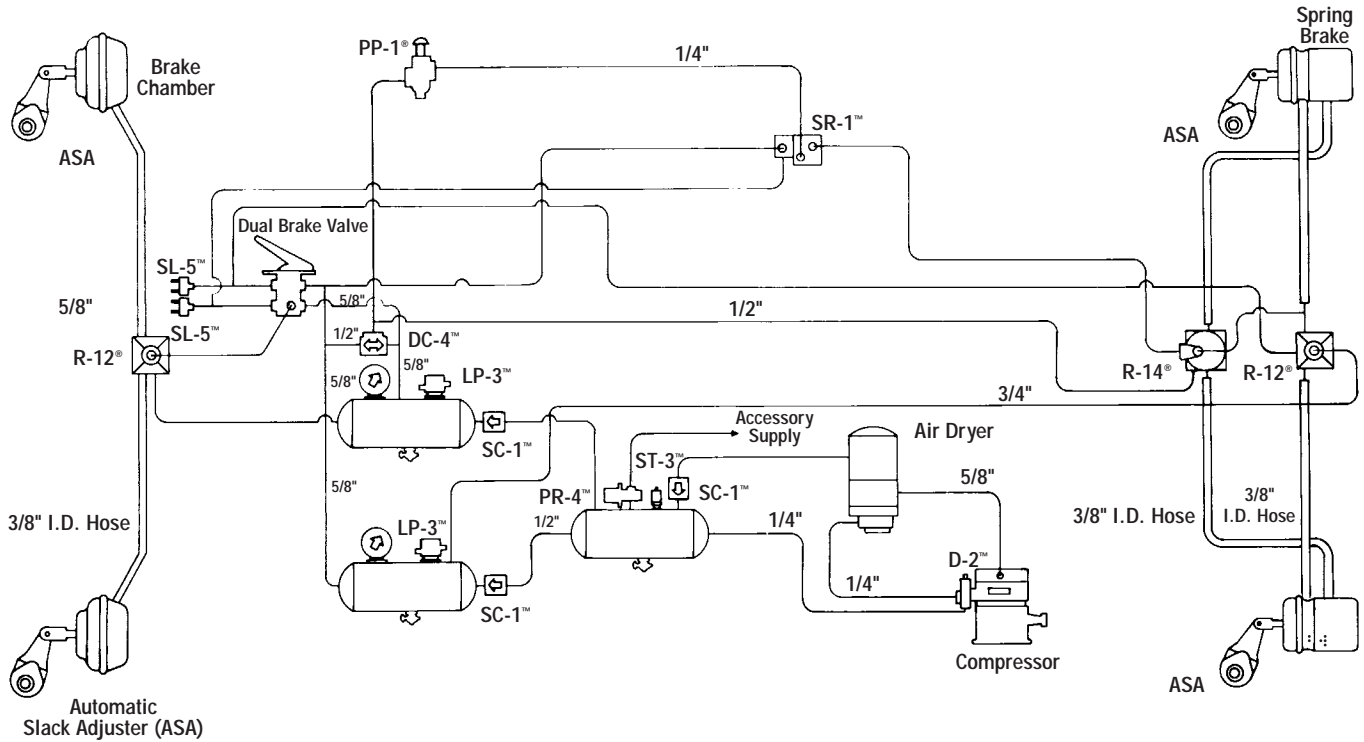
## TWO WHEEL TOWING TRAILER



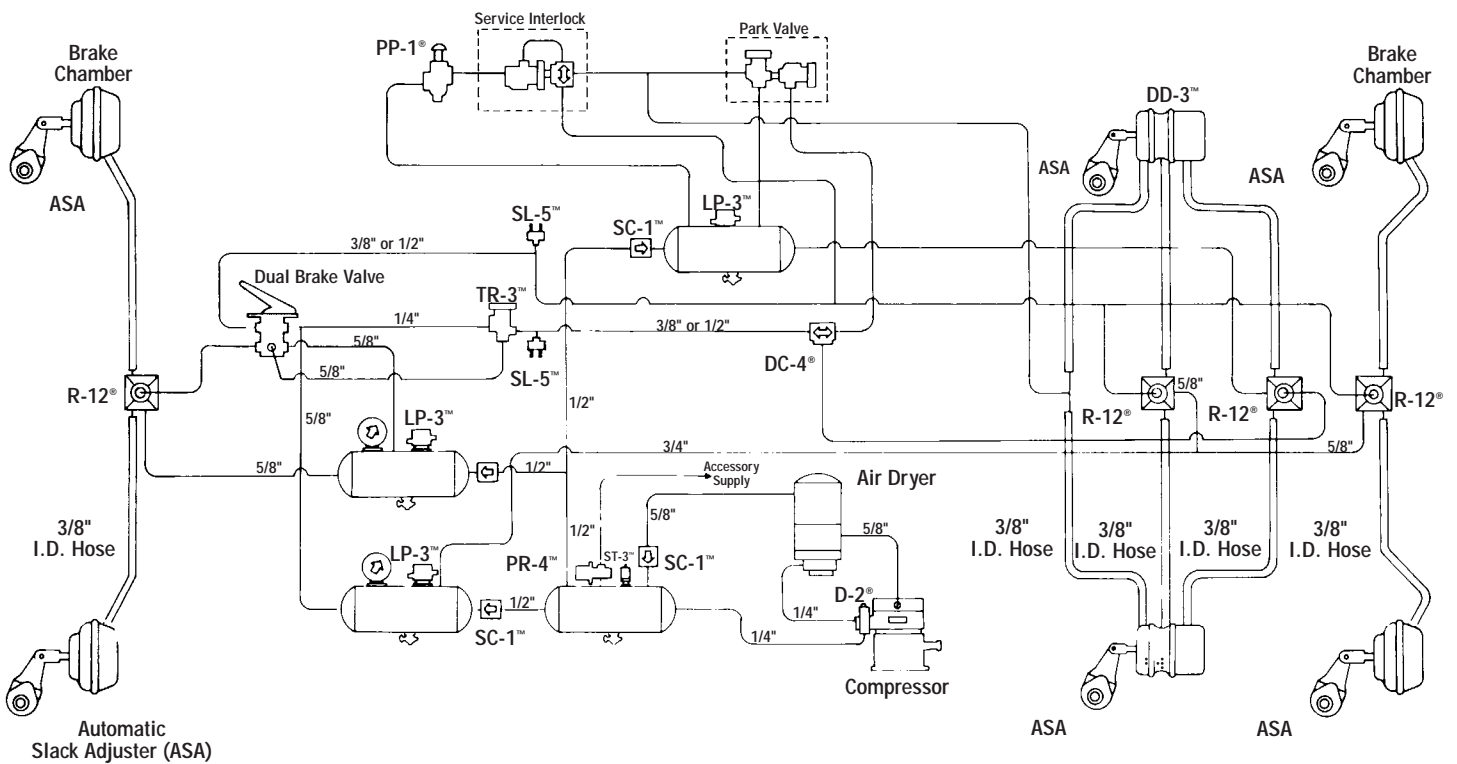
## SIX WHEEL TRUCK



## SCHOOL BUS



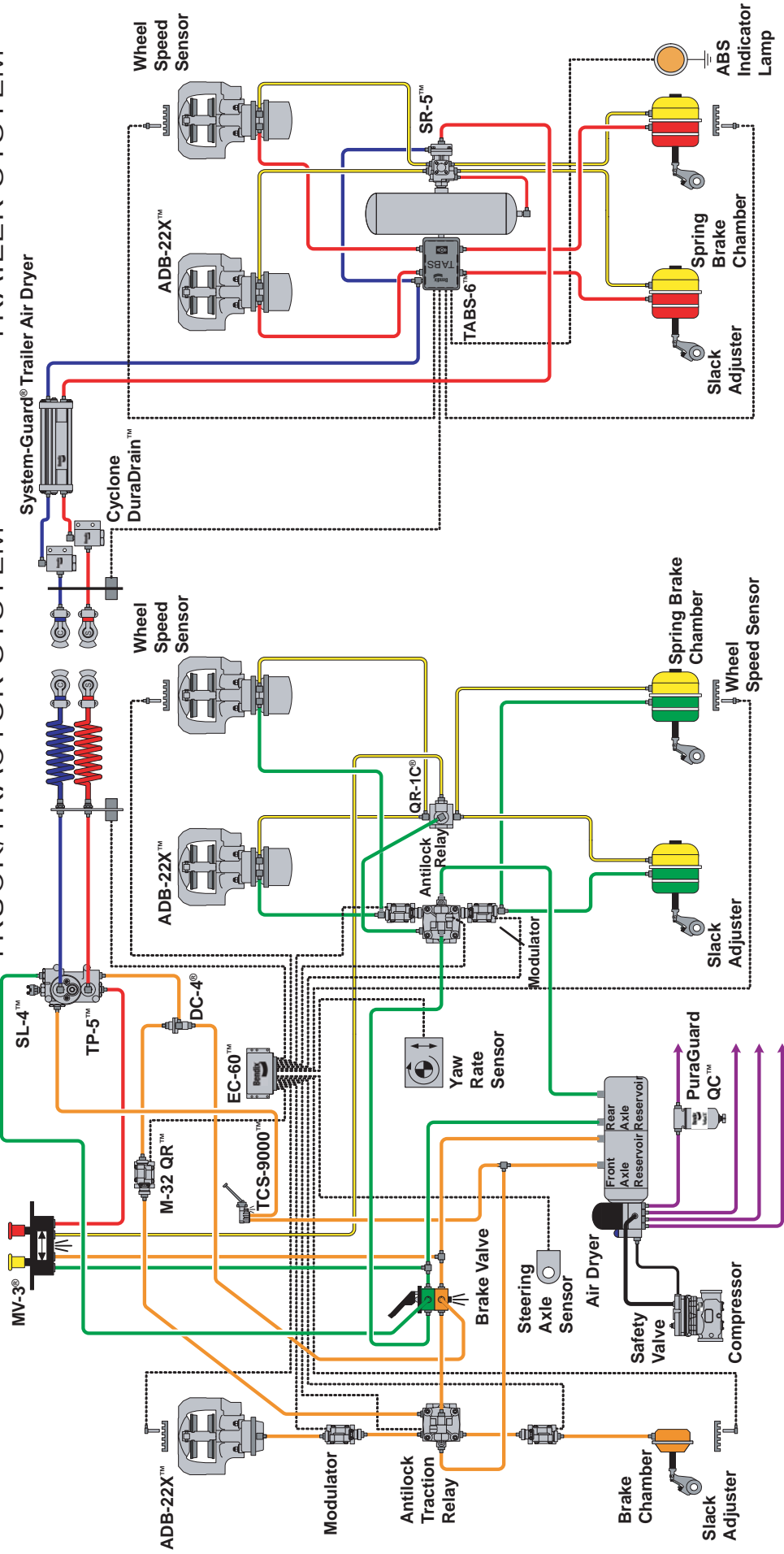
## COACH (TAG AXLE) WITH A TWO STEP PARKING BRAKE RELEASE (DD-3™)





# TRUCK/TRACTOR SYSTEM

# TRAILER SYSTEM



Air disc & drum brakes combined on a single axle are shown for pictorial purposes only.

--- Indicates electrical connection

## TRUCKS AND TRUCK TRACTORS:

- Charging
- Primary
- Secondary
- Park (Supply)
- Parking (Control)

## TRAILERS:

- Trailer (Supply)
- Trailer (Control)
- Trailer (Park)



1-800-AIR-BRAKE



**Bendix Spicer  
Foundation Brake LLC**  
*A Bendix Commercial Vehicle Systems  
and Dana Corporation Joint Venture*

## **Service Plants**

### **U.S.A.**

#### **Huntington**

1850 Riverfork Drive West  
Huntington, IN 46750  
260.356.9720

#### **Bowling Green**

346 Central Avenue  
Bowling Green, KY 42101  
270.783.5000

#### **Sparks**

1095 Spice Island Drive  
Suite 101  
Sparks, NV 89431  
775.353.4255

### **Canada**

#### **Montreal**

8851 4e Croissant  
Anjou, Quebec  
H1J 1A9  
514.323.0303